

Table of Contents

6.1 Introduction	6.1-1
6.2 Symbol	6.2-1
6.3 Circuit Fault Diagnosis	6.3-1
Diagnostic Procedure	6.3-1
Diagnostic Tools	6.3-2
Fault Testing	6.3-3
Repair Tools	6.3-5
Wiring Harness Terminal Repair	6.3-7
6.4.1 Integrated Electronic Parking Brake System (Including ESP)	6.4.1-1
Integrated Electronic Parking Brake System (Including ESP)	6.4.1-1
Power Supply/EPB Central Box Switch Box	6.4.1-2
Front Wheel Speed Sensor	6.4.1-3
EPB Actuator Motor/Rear Wheel Speed Sensor	6.4.1-4
6.4.2 Electronic Power Steering	6.4.2-1
Electronic Power Steering	6.4.2-1
6.4.3 Cooling System	6.4.3-1
Cooling System	6.4.3-1
Radiator Fan	6.4.3-2
Coolant Pump	6.4.3-3
6.4.4 Fuel System	6.4.4-1
Fuel System	6.4.4-1
6.4.5 Ignition System	6.4.5-1
Ignition System	6.4.5-1
6.4.6 Starting System	6.4.6-1
Starting System	6.4.6-1
6.4.7 Charging System	6.4.7-1
Charging System	6.4.7-1
6.4.8 Electronic Control System	6.4.8-1
Electronic Control System	6.4.8-1
Power Supply/GPF Temperature Sensor/Vacuum Pressure Sensor	6.4.8-4
Brake Switch/Accelerator Pedal Sensor/Refrigerant Pressure Sensor	6.4.8-5
Switch Oxygen Sensor/Carbon Canister Stop Valve/Electronic Thermostat/ Coolant Temperature Sensor	6.4.8-6
Linear Oxygen Sensor/Variable Displacement Oil Pump/Carbon Canister Control Valve/Intake OCV Control Valve/Exhaust OCV Control Valve/ Air Intake Pressure Discharge Valve/Fuel Tank Pressure Sensor/ Exhaust Bypass Actuator/Oil Pressure Alarm Assembly	6.4.8-7

Table of Contents

GPF Differential Pressure Sensor/Electric Conduit/Boost Pressure/ Temperature Sensor Intercooler/Fuel Rail Pressure Sensor/Boost Pressure/ Temperature Sensor/Desorption Pressure Sensor	6.4.8-8
Intake Camshaft Sensor/Exhaust Camshaft Sensor/Crankshaft Sensor/ Knock Sensor/High Pressure Oil Pump/Electronic Throttle Valve	6.4.8-9
6.4.9 Automatic Transmission	6.4.9-1
Automatic Transmission	6.4.9-1
Power Supply	6.4.9-2
Electronic Shift Controller/Shift Actuator/Shifter	6.4.9-3
6.4.10 Heating, Ventilation and Air Conditioning	6.4.10-1
Heating, Ventilation and Air Conditioning	6.4.10-1
Power Supply/Refrigerant Pressure Sensor/Front A/C Driver Side Air Mix Servo Motor	6.4.10-3
Outside Temperature Sensor/Room Temperature Sensor/ Front A/C Evaporator Surface Temperature Sensor/Front A/C Inside/ Outside Air Servo Motor/Front A/C Mode Servo Motor	6.4.10-4
Central Display/Front A/C Passenger Side Air Mix Servo Motor	6.4.10-5
Front Blower/Speed Regulation Module	6.4.10-6
Compressor	6.4.10-7
6.4.11 Airbag Restraint System	6.4.11-1
Airbag Restraint System	6.4.11-1
Power Supply/Seat Sensor/Seat Belt Switch/Frontal Collision Sensor/Driver/ Front Passenger Airbag	6.4.11-2
Side Collision Sensor/Driver/Front Passenger Airbag/Air Curtain	6.4.11-3
6.4.12 Instrument Cluster	6.4.12-1
Instrument Cluster	6.4.12-1
Power Supply	6.4.12-2
Blind Spot Indicator/Brake Fluid Level Sensor/Fuel Level Sensor	6.4.12-3
6.4.13 Horn	6.4.13-1
Horn	6.4.13-1
6.4.14 USB & On-board Power Supply	6.4.14-1
USB & On-board Power Supply	6.4.14-1
6.4.15 Information and Entertainment System	6.4.15-1
Information and Entertainment System	6.4.15-1
Power Supply/Microphone	6.4.15-4
Instrument Cluster USB/Panoramic USB/Central Box Switch Box	6.4.15-5
Front Display/Data USB/GPS Antenna/Drive Recorder USB	6.4.15-6
T-BOX (Russia)	6.4.15-7
Power Amplifier Power Supply (Russia LV4, G.C.C. LV4)	6.4.15-8
Power Amplifier Tweeter/Woofer (Russia LV4, G.C.C. LV4)	6.4.15-9

Table of Contents

Power Amplifier Center Speaker/Headrest Speaker/Surround Speaker (Russia LV4, G.C.C. LV4)	6.4.15-10
6.4.16 Lighting System	6.4.16-1
Lighting System	6.4.16-1
Headlamp	6.4.16-6
Combination Lamp Switch	6.4.16-7
Position Lamp-1	6.4.16-8
Position Lamp-2	6.4.16-9
Turn/Warning Lamp	6.4.16-10
Brake Lamp/Rear Fog Lamp	6.4.16-12
Reversing Lamp/Daytime Running Lamp	6.4.16-13
Indoor Lamp-1	6.4.16-14
Indoor Lamp-2	6.4.16-15
Atmosphere Lamp-1	6.4.16-16
Atmosphere Lamp-2	6.4.16-17
Atmosphere Lamp-3	6.4.16-18
Atmosphere Lamp-4	6.4.16-19
Atmosphere Lamp-5	6.4.16-20
Atmosphere Lamp-6	6.4.16-21
Background Lamp	6.4.16-22
6.4.17 Wiper	6.4.17-1
Wiper	6.4.17-1
Front Wiper	6.4.17-2
Rain/Ambient Light Sensor	6.4.17-3
Rear Wiper	6.4.17-4
6.4.18 Power Rearview Mirror	6.4.18-1
Power Rearview Mirror	6.4.18-1
Memory Function Rearview Mirror	6.4.18-2
Power Rearview Mirror Folding/Adjusting	6.4.18-3
Memory Function Rearview Mirror Power Supply/Switch (Russia LV4, G.C.C. LV4)	6.4.18-4
Memory Function Rearview Mirror Folding/Adjusting (Russia LV4, G.C.C. LV4)	6.4.18-5
6.4.19 Central Door Lock and Body Theft Deterrent System	6.4.19-1
Central Door Lock and Body Theft Deterrent System	6.4.19-1
Door Lock Motor/Fuel Tank Cap Motor	6.4.19-2
Door Contact Switch	6.4.19-3
MIST Switch	6.4.19-4
6.4.20 Power Window System	6.4.20-1
Power Window System	6.4.20-1
Left Front Door Window	6.4.20-2
Right Front Door Window	6.4.20-3

Table of Contents

Left Rear Door Window	6.4.20-4
Right Rear Door Window	6.4.20-5
6.4.21 Defroster	6.4.21-1
Rearview Mirror Heater, Rear Defroster	6.4.21-1
Front Windshield Heater	6.4.21-2
6.4.22 Sunroof	6.4.22-1
Panoramic Sunroof	6.4.22-1
6.4.23 Parking Assist System	6.4.23-1
Parking Assist System	6.4.23-1
Power Supply/Front Radar	6.4.23-2
Reversing Radar Sensor	6.4.23-3
6.4.24 Body Control System	6.4.24-1
Body Control System	6.4.24-1
6.4.25 On-board Network System	6.4.25-1
On-board Network System	6.4.25-1
Data Link Connector	6.4.25-4
Gateway	6.4.25-5
ADAS CAN	6.4.25-6
EPS CAN	6.4.25-7
P CAN	6.4.25-8
B CAN	6.4.25-9
I CAN	6.4.25-10
LIN Line	6.4.25-11
6.4.26 Keyless Entry Control System	6.4.26-1
Keyless Entry Control System	6.4.26-1
Power Supply	6.4.26-2
Antenna/ENGINE START STOP Switch/Concealed Door Handle	6.4.26-3
Kick Sensor/Radio Frequency Sensor	6.4.26-4
6.4.27 Self-adaptive Cruise System	6.4.27-1
Self-adaptive Cruise System	6.4.27-1
6.4.28 Seat Heating and Ventilation System	6.4.28-1
Seat Heating and Ventilation System	6.4.28-1
Rear Seat Heating System (Russia)	6.4.28-2
Power Supply	6.4.28-3
Front Passenger Seat Heating Controller	6.4.28-4
Rear Seat Heater (Russia)	6.4.28-5
6.4.29 Seat Memory System	6.4.29-1
Seat Memory System	6.4.29-1

Table of Contents

Power Supply (Russia LV4, G.C.C. LV4)	6.4.29-2
Seat Memory Mirror (Russia LV4, G.C.C. LV4)	6.4.29-3
Seat Memory Switch (G.C.C. LV4)	6.4.29-4
Instrument Panel Switch Box (Russia LV4, G.C.C. LV4)	6.4.29-5
Front Passenger Seat Heating Controller (Russia LV4, G.C.C. LV4)	6.4.29-6
6.4.30 Power Back Door System	6.4.30-1
Power Back Door System	6.4.30-1
Power Supply/Instrument Panel Switch Box/Back Door Close Switch	6.4.30-2
Back Door Lock Motor/Back Door Buzzer/Left Electric Stay Bar	6.4.30-3
6.4.31 Blind Spot Monitoring System	6.4.31-1
Blind Spot Monitoring System	6.4.31-1
6.4.32 Lane Departure System	6.4.32-1
Lane Departure System	6.4.32-1
6.4.33 4WD System	6.4.33-1
4WD System	6.4.33-1
6.5 Fuse and Relay Information	6.5-1
Fuse and Relay Information	6.5-1
Engine Compartment Fuse Box	6.5-3
Instrument Panel Fuse Box	6.5-7
6.6 Power Supply Distribution	6.6-1
Power Supply Distribution - 1	6.6-1
Power Supply Distribution - 2	6.6-2
Power Supply Distribution - 3	6.6-3
Power Supply Distribution - 4	6.6-4
Power Supply Distribution - 5	6.6-5
Power Supply Distribution - 6	6.6-6
Power Supply Distribution - 7	6.6-7
Power Supply Distribution - 8	6.6-8
Power Supply Distribution - 9	6.6-9
Power Supply Distribution - 10	6.6-10
6.7 Fuse Details	6.7-1
MF02 MF04 MF05 MF07 SB01 SB08 SB11 SB12	6.7-1
SB02 EF06 EF07 EF09 EF30 ER02 ER04 ER07 ER14 ER18	6.7-2
SB03 SB10 EF28 ER10 ER11 ER12	6.7-3
EF26 EF27 EF29	6.7-4
EF01 EF02 ER13 ER16 ER17	6.7-5
SB04 EF01 EF08 ER03 ER05 ER15	6.7-6
SB14 EF04 EF12 EF13 EF14 EF18 EF21 ER06	6.7-7
SB05 EF32 EF33 ER01 ER08	6.7-8

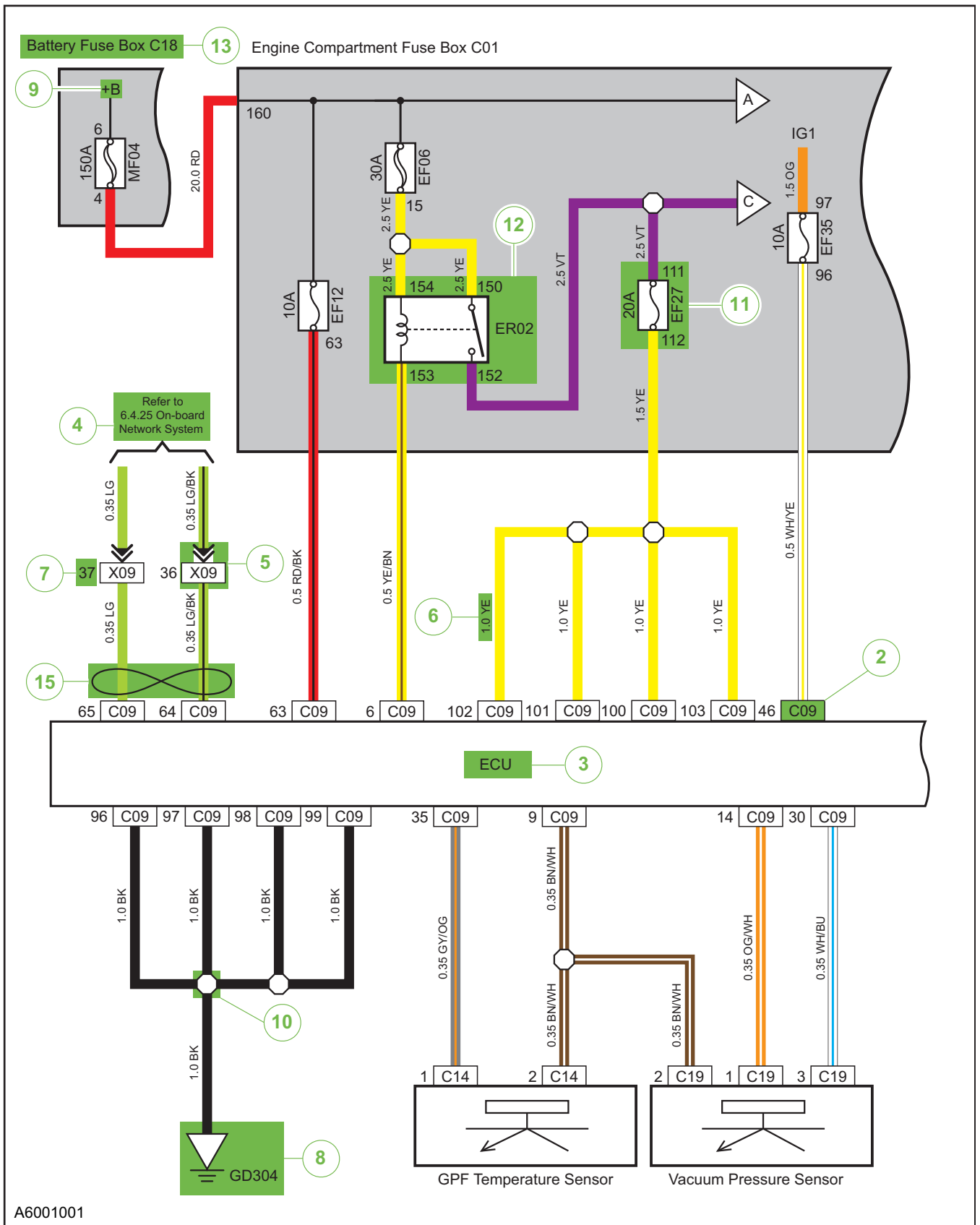
Table of Contents

SB06 SB07 SB13 EF15 EF34 EF35 EF36	6.7-9
DF01 DF02 DF03 DF04 DF05 DF06 DF07 DF08 DF09	6.7-10
SB16 SB17 DF10 DF11 DF13 DF51 DR01	6.7-11
DF14 DF15 DF16 DF18 DF19 DF20	6.7-12
SB15 DF12 DF17 DF24	6.7-13
DF26 DR03 DR04	6.7-14
DF25 DF27 DF28 DF30 DF31 DF33	6.7-15
DF34 DF35 DF36 DF37 DF38 DF42 DR05 DR06	6.7-16
DF39 DF40 DF41 DF45	6.7-17
6.8 Grounding Distribution	6.8-1
GD101 GD102	6.8-1
GD103	6.8-2
GD104 GD105 GD106 GD107	6.8-3
GD108	6.8-4
GD201 GD202	6.8-5
GD203 GD204	6.8-6
GD205 GD207 GD208	6.8-7
GD209 GD213	6.8-8
GD214 GD301 GD302	6.8-9
GD303 GD304 GD306 GD307	6.8-10
GD308 G1004 G1001	6.8-11
6.9 Wiring Harness Connector Location View	6.9-1
Wiring Harness to Wiring Harness (X--)	6.9-1
Engine Compartment Wiring Harness Connector (C--)	6.9-19
Instrument Panel Wiring Harness Connector (P--)	6.9-21
Engine Wiring Harness Connector (E--)	6.9-25
Chassis Wiring Harness Connector (S--)	6.9-29
Door Wiring Harness Connector (D--)	6.9-32
Roof Wiring Harness Connector (L--)	6.9-39
Rear Bumper Wiring Harness Connector (J--)	6.9-41
Front Bumper Wiring Harness Connector (Q--)	6.9-43
Electronic Parking Brake Wiring Harness Connector (S--)	6.9-45
6.10 Grounding Location View	6.10-1
GD301 GD302 GD303 GD304 GD306 GD307 GD308	6.10-1
GD101 GD102 GD103 GD105 GD106 GD107 GD108	6.10-2
GD1001 GD1002 GD1003 GD1004	6.10-3
GD201 GD202 GD203 GD204 GD205 GD207 GD208 GD209 GD213 GD214	6.10-4
6.11 Wiring Harness Connector Terminal View	6.11-1
Wiring Harness to Wiring Harness Connector (X--)	6.11-1
Engine Compartment Wiring Harness Connector (C--)	6.11-45

Table of Contents

Engine Wiring Harness Connector (E--)	6.11-65
Chassis Wiring Harness Connector (S)	6.11-88
Instrument Panel Wiring Harness Connector (P--)	6.11-119
Auxiliary Fascia Console Wiring Harness Connector (P--)	6.11-169
Front Bumper Wiring Harness Connector (Q--)	6.11-176
Rear Bumper Wiring Harness Connector (J--)	6.11-179
5-Door Wiring Harness Connector (D--)	6.11-186
Roof Wiring Harness Connector (L--)	6.11-221
6.12 Abbreviation	6.12-1
Abbreviation List	6.12-1

Electronic Control System ①



1. System name.
2. Wiring harness connector number.



In this manual, the wiring harness connector is numbered based on wiring harness. For example, connector of ECU wiring harness in engine compartment wiring harness is numbered as C09. C is the wiring harness code, 09 is the connector serial number.

The following table lists are wiring harness codes:

Definition	Wiring Harness Name
C--	Engine Compartment Wiring Harness
E--	Engine Wiring Harness
S--	Chassis Wiring Harness
P--	Instrument Panel Wiring Harness
Q--	Front Bumper Wiring Harness
J--	Rear Bumper Wiring Harness
D--	Door Wiring Harness
L--	Roof Wiring Harness
X--	Wiring Harness to Wiring Harness Connector

CAUTION:

1. Door wiring harness consists of wiring harness of five doors.
 2. For details of wiring harness connector numbering, please refer to wiring harness layout views.
3. Component name.
 4. System information related to the circuit.
 5. For wiring harness to wiring harness connector, the black arrow represents positive pole and the box represents the negative pole. The character in the box is the connector code.
 6. Wiring harness color and wire diameter. The following table shows the color code:

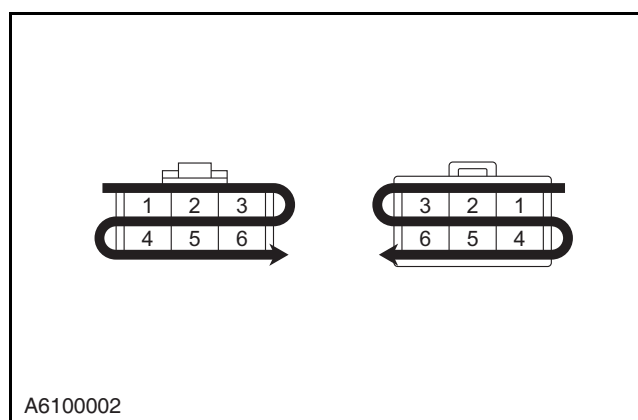
Color Code	Wiring Harness Color	Legend
BK	Black	
BN	Brown	

BU	Blue	
GN	Green	
GY	Grey	
LG	Light Green	
LU	Light Blue	
OG	Orange	
PK	Pink	
RD	Red	
SR	Silver	
VT	Violet	
WH	White	
YE	Yellow	

If a wiring harness has two colors, the first character shows the background color and the second shows the stripe color, divided by "/".

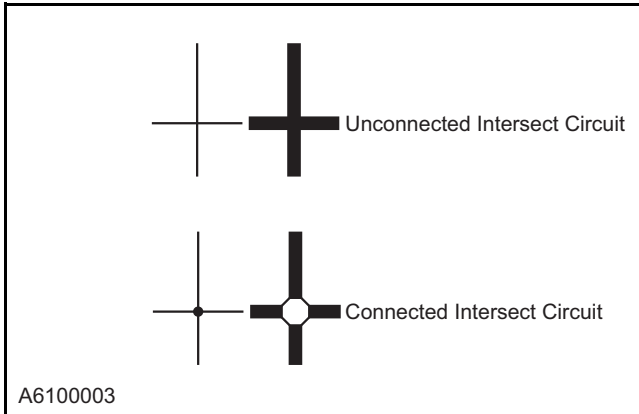
For example, YE/WH means yellow background color with white stripe.

7. Pin number. The pin number of mated connector pair are mirrored relationship, as shown below:



8. Grounding number. The grounding number starts with GD. For grounding details, please refer to grounding layout view.
9. For power supply type supplied to fuse, +B represents battery power supply, ACC represents power supply output when ignition switch is at "ACC", IG1 represents power supply output when ignition switch is at "ON".

10. Wiring harness splice point.



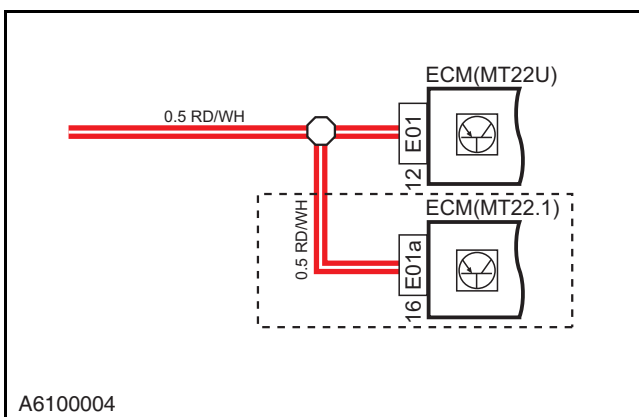
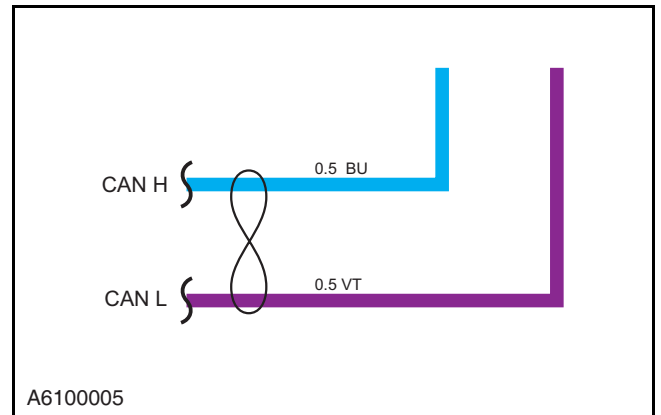
11. Fuse number consists of a fuse code and a sequential number. Code EF represents fuses in the engine compartment fuse and relay box; Code DF represents fuses in instrument panel fuse and relay box. For details, please refer to fuse table.

12. A relay is represented by two capital English letters. Code ER represents relays in the engine compartment fuse and relay box; Code DR represents relays in the instrument panel fuse and relay box. For details, please refer to the relay table.

13. Filling gray shade means the electronic component, C18 represents the wiring harness connector code.






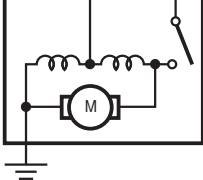


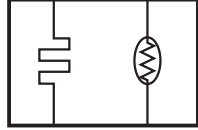



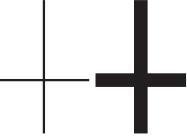
14. Circuit differences in different models, engines or specifications are noted by dashed lines and texts beside the circuit.

15. The 8-shaped symbol between wiring harnesses represents Unshielded Twisted Pair (UTP), which is used for sensor signal or data communication.



	Grounding		Normally Closed Relay		Battery
	Temperature Sensor		Normally Open Relay		Capacity
	Solenoid Valve		Double-throw Relay		Cigarette Lighter
	Solenoid Valve		Resistor		Antenna
	Small Load Fuse		Potentiometer		Normally Open Switch
	Medium Load Fuse		Variable Resistor		Normally Closed Switch
	Large Load Fuse		Ignition Coil		Double-throw Switch
	Heater		Knock Sensor		Airbag

A6200001

	<p>Diode</p>		<p>Bulb</p>		<p>Twisted-pair Wire</p>
	<p>Photo Diode</p>		<p>Horn</p>		<p>Starting Motor</p>
	<p>Light Emitting Diode</p>		<p>Spiral Cable</p>		<p>Oxygen Sensor</p>
	<p>Motor</p>		<p>Limit Switch</p>		<p>Connected Intersect Circuit</p>
	<p>Unconnected Intersect Circuit</p>				

A620002

Diagnostic Procedure

Refer to the following procedures for circuit fault diagnosis:

1. Confirm Fault

To do proper repair, confirm the fault symptoms described by the customer first. Inspect the relevant component carefully to confirm fault symptoms and make record. DO NOT disassemble the component before confirming the fault scope and causes.

2. Read Wiring Diagram and Analyze Causes

Make a complete analysis and judgment on the fault components from power supply to grounding according to the sub-system wiring diagram and determine the repair solution. If it cannot be determined, please read the system description in "Description and Operation" section in the repair manual to understand the working principle. And inspect other circuits that has common part with the fault circuit, for example, the fuse, grounding, switch, etc. Inspect the common circuit not covered in step 1. If other components in the common circuit work properly, it means that the fault exists in its own circuit. Otherwise, the fuse or grounding may have faults.

3. Inspect Circuits and Components

Always use the wiring diagram together with repair manual and refer to the diagnostic procedure for circuits and components in repair manual. For the circuit with a control module, fully use diagnostic tools to do the test. Effective diagnosis should be a logical and reasonable operation. Fully use the diagnostic procedures in the repair manual and start the inspection from the most likely causes and the components with easiest inspection way.

4. Repair Fault

For the detected fault, refer to the wiring diagram and the description for fault treatment in repair manual. For example, the diagnostic procedure for poor grounding and the wiring harness connector treatment.

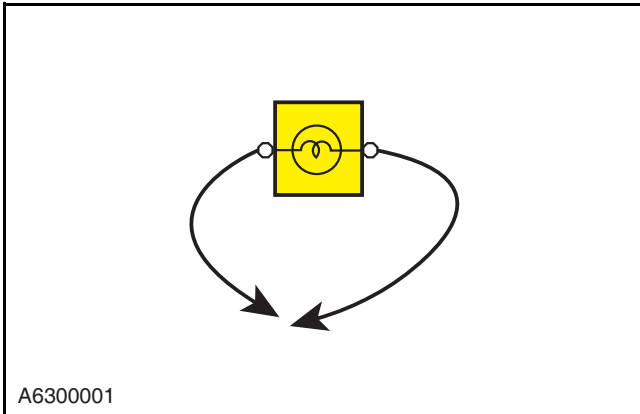
5. Confirm Circuit Working Condition

After repair, all functions should be re-inspected to confirm that the fault is repaired.

For the blown fault of fuse, inspect all the relevant circuits sharing this fuse.

Diagnostic Tools

1. Voltmeter and Test Lamp

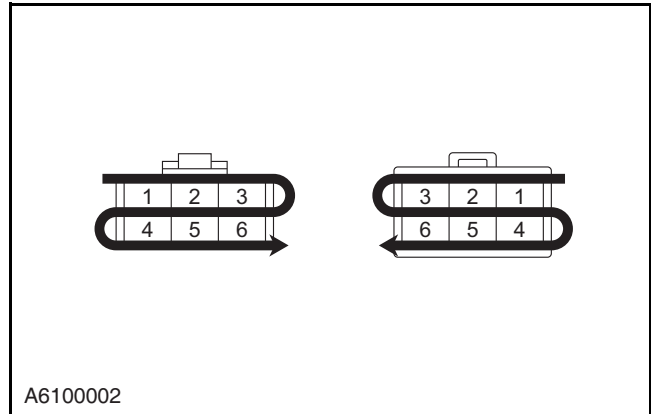


Use test lamp or voltmeter to inspect the circuit status. Check for voltage. Test lamp comprises a pair of wiring harnesses and a 12 V bulb. When inspecting, connect one wiring harness to the ground and the other one to the certain measurement point. If the bulb is lit, it means the measurement point has power supply.

⚠ WARNING: When inspecting the electronic control module voltage, **DO NOT** use test lamp to inspect the module circuit. Otherwise it could damage the interior circuit inside the module. Please use a voltmeter with 10 M Ω or higher internal resistance (for example, to inspect the ECM voltage circuit).

Voltmeter has the same usage method as the test lamp, but voltmeter can show the voltage value of the circuit. Use a voltmeter with high impedance to test the voltage. If the circuit has poor connection, the voltmeter may show the normal value, but the voltage cannot drive the load successfully.

2. Self-powered Test Lamp and Ohmmeter

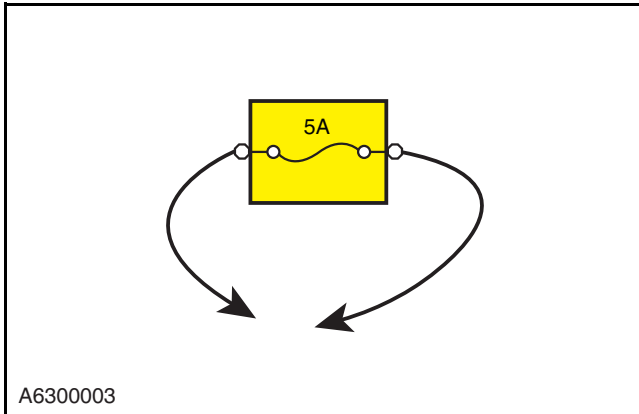


Use test lamp with own 12 V power supply or ohmmeter to inspect the circuit for continuity. Self-powered test lamp comprises a bulb, battery and a pair of wiring harnesses. The bulb will be lit when the two wiring harnesses are connected. Before testing, disconnect the negative battery cable and pull out the fuse of circuit. To test the circuit for continuity, connect two wiring harnesses to the two measurement points. If the bulb is lit, it means the circuit is normal.

⚠ WARNING: **DO NOT** use self-powered test lamp to inspect the control module. Otherwise, it could damage the interior circuit inside the control module. Please use a ohmmeter with 10 M Ω or higher internal resistance.

Ohmmeter has the same operation method as voltmeter, but ohmmeter can show the resistance value. The lower resistance, the better continuity.

3. Jumper Wire with Fuse

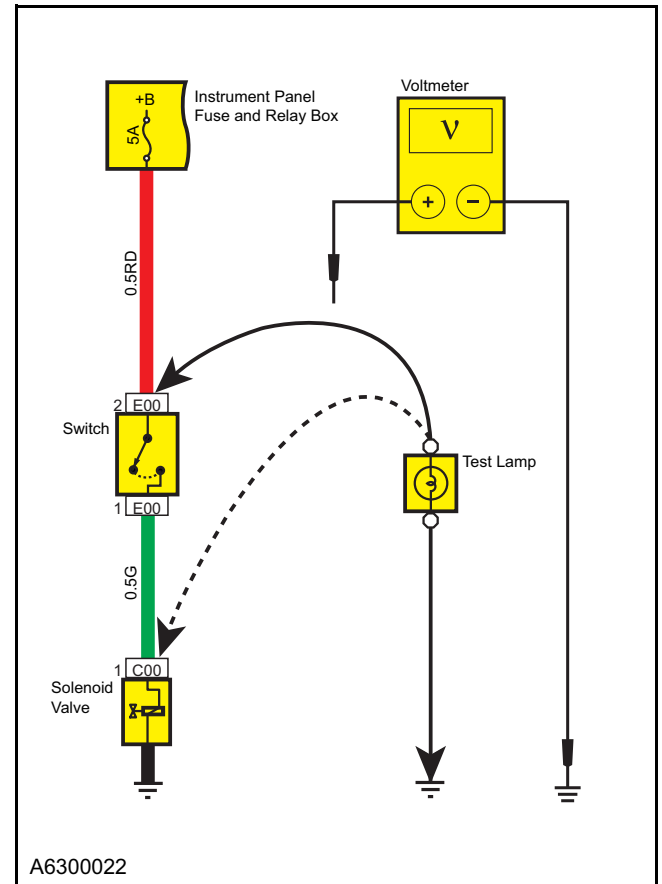


Use jumper wire to test a broken point for open loop circuit (circuit open). The jumper wire is a tool that should be in tandem with the circuit.

WARNING: To protect the circuit to be inspected, DO NOT use the fuse higher than the rated capacity of circuit to inspect relevant circuits. DO NOT use the jumper wire as the input or output signal when a control module such as ECM or TCM is in the circuit. Otherwise, it could damage the interior circuit inside the control module.

Fault Testing

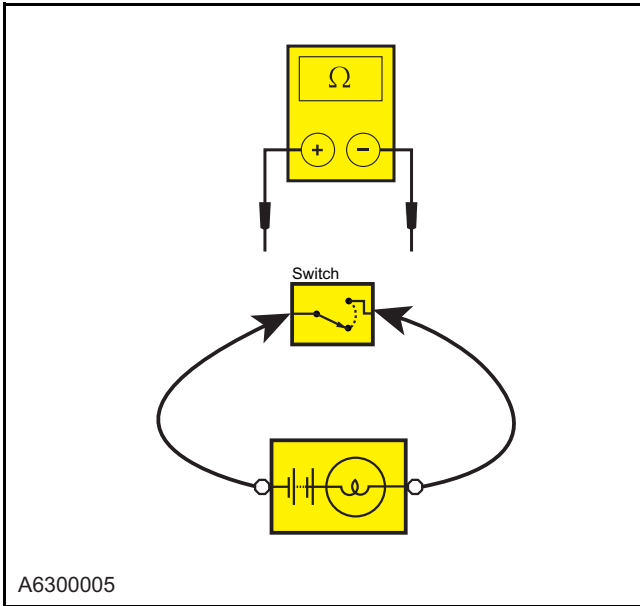
1. Voltage Testing



Voltage testing is to test the voltage at a certain point. When testing a certain connector terminal, insert the positive probe of circuit testing tool from back of connector without disassembling wiring harness connector.

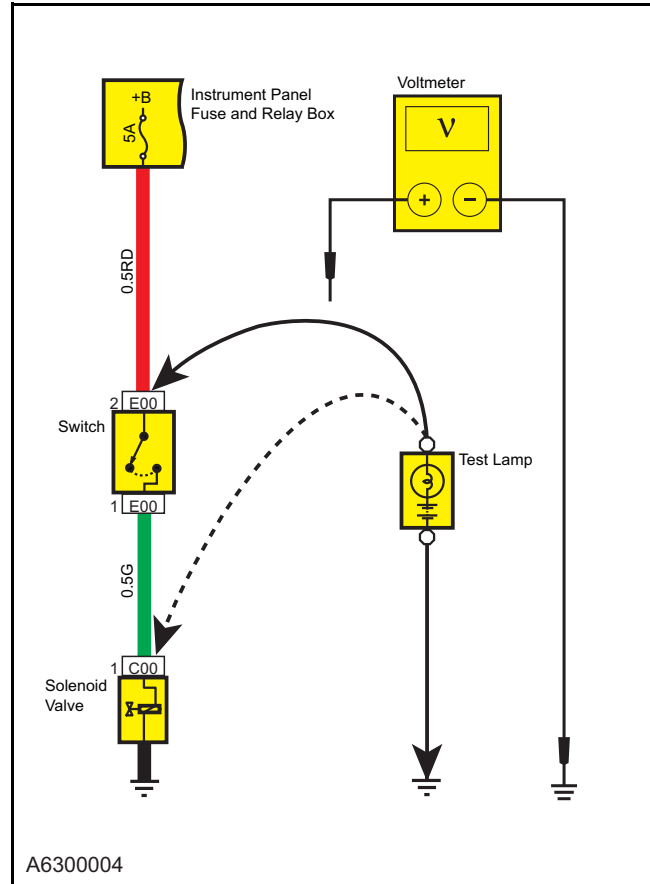
- 1 When testing the voltage with test lamp or voltmeter, connect the negative of testing tool to battery negative.
- 2 Connect the other end of wiring harness of the test lamp or positive probe of the voltmeter to the test position.
- 3 If a voltmeter is used and displayed voltage value is lower than the rated value at least 1 V, which means a circuit fault. If a test lamp is used and lamp is not lit, it means a circuit fault.

2. Power Testing



- 1 Disconnect the negative battery cable.
- 2 Connect one wiring harness of the self-powered test lamp or the probe of the ohmmeter to the test component. When using ohmmeter, please connect the two probes each other and use reset button to adjust the ohmmeter to zero.
- 3 Connect the other wiring harness of the test lamp or probe of the ohmmeter to the other side of the test load.
- 4 If the bulb is lit, it means the circuit is normal. If an ohmmeter is used and the resistance value is very low or close to 0 Ω , it means the component has good continuity.

3. Short Circuit Testing

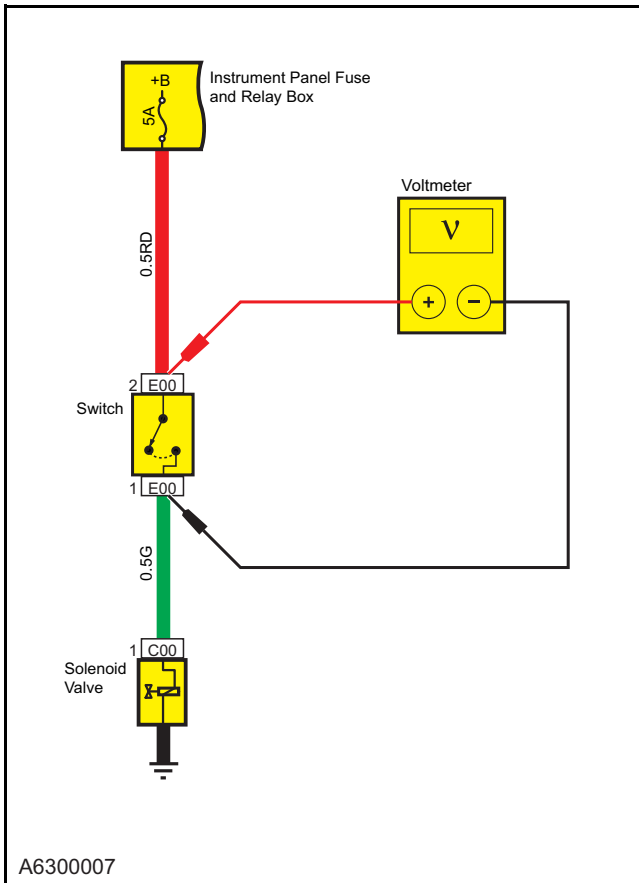


- 1 Disconnect the negative battery cable.
- 2 Connect one wiring harness of self-powered test lamp or one probe of ohmmeter to the output terminal of fuse.
- 3 Connect the other wiring harness of self-powered test lamp or other probe of ohmmeter to the grounding.
- 4 Disconnect all the electrical loads related to the fuse.

CAUTION: If all the electrical loads related to the fuse are not disconnected, when testing the low resistance circuit such as lights, the ohmmeter will always display the low value. This will cause wrong judgment.

- 5 Do the careful inspection from the place closest to the fuse.
- 6 If the self-powered test lamp is lit or ohmmeter has value display less than 5 Ω , it means the short circuit to the ground.

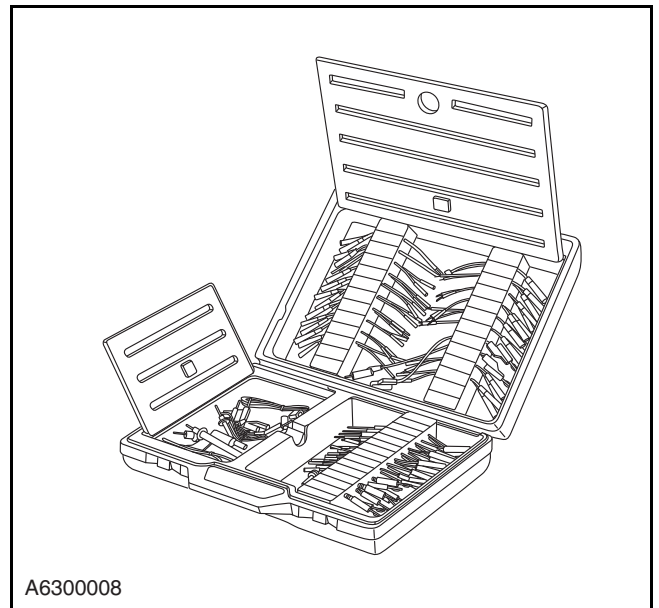
4. Voltage Drop Testing



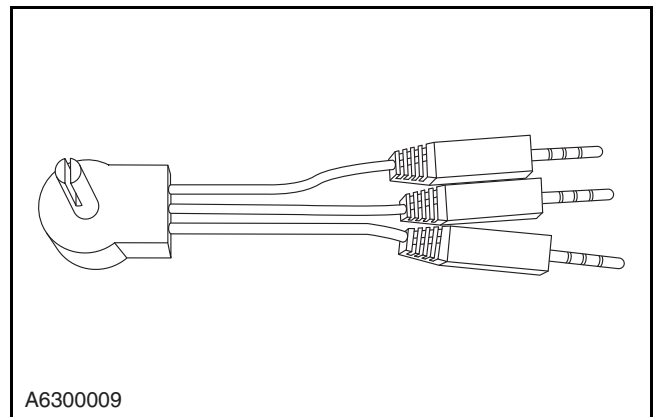
This is a test to inspect the voltage drop along the wiring harness, connector or switch.

- 1 Connect the positive probe of voltmeter to one end of the circuit close to battery (connector or switch side).
- 2 Connect the negative probe to the other end of the circuit (the other side of connector or switch).
- 3 Switch on or off to make the circuit work.
- 4 The voltmeter will display the voltage difference between the two test points.
- 5 If the voltage difference is more than 0.1 V (less than 50 mV for 5 V circuit), it means a circuit fault. Inspect for loose, oxidized or corrosive circuit.

Repair Tools

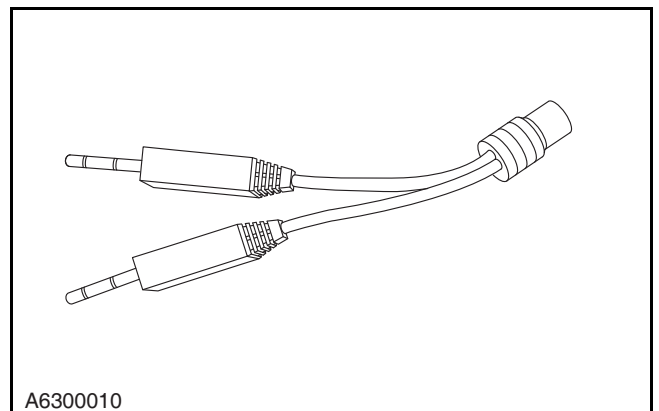


1. 5 KΩ Variable Rheostat



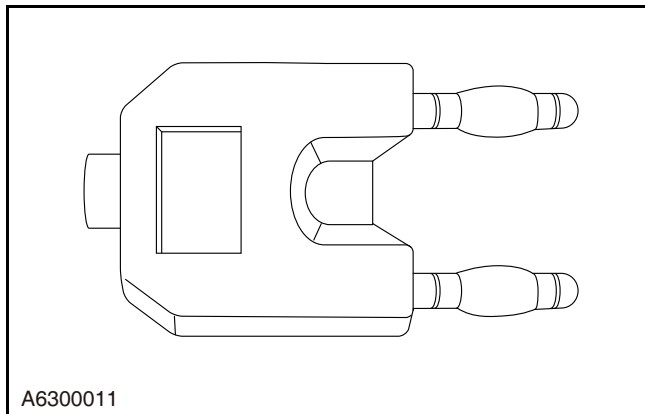
It can simulate each ohm-type sensor signal, such as coolant temperature sensor, air intake temperature sensor and so on. And is helpful to make quick judgment on the performance of component.

2. LED Test Lamp



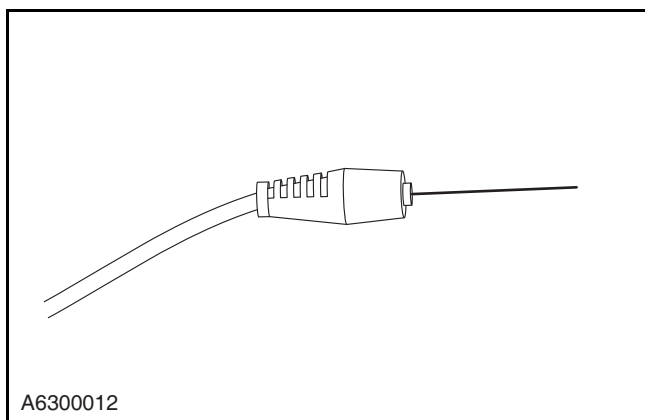
Bidirectional two-color LED lamp can change its color when exchanging the positive and negative. This feature can be used to test the PWM control signals of Hall sensor.

3. Airbag Test Tool



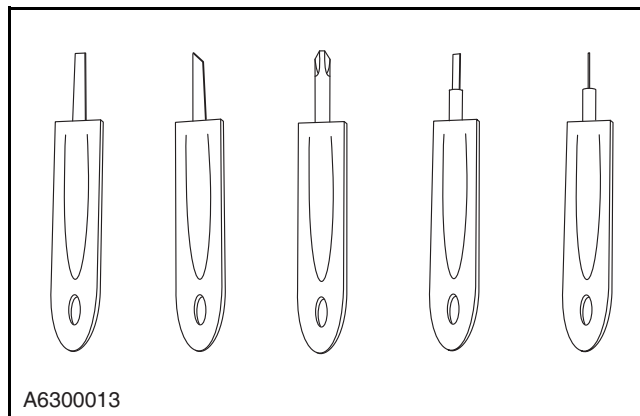
Before installing a new airbag after airbag system fault or vehicle accident, install this tool to the airbag system, and use diagnostic tools to confirm that the airbag system works properly. After that, install the new airbag. This process can guarantee a safe airbag operation.

4. Probe



When testing a system component, insert it from back of wiring harness connector directly without breaking the wiring harness, to reduce man-made fault.

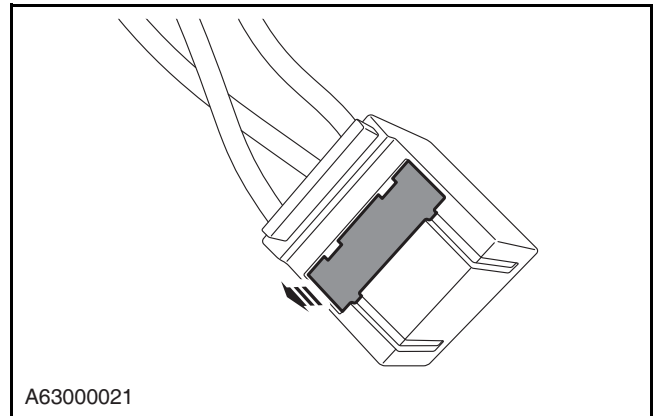
5. Terminal Repair Tool



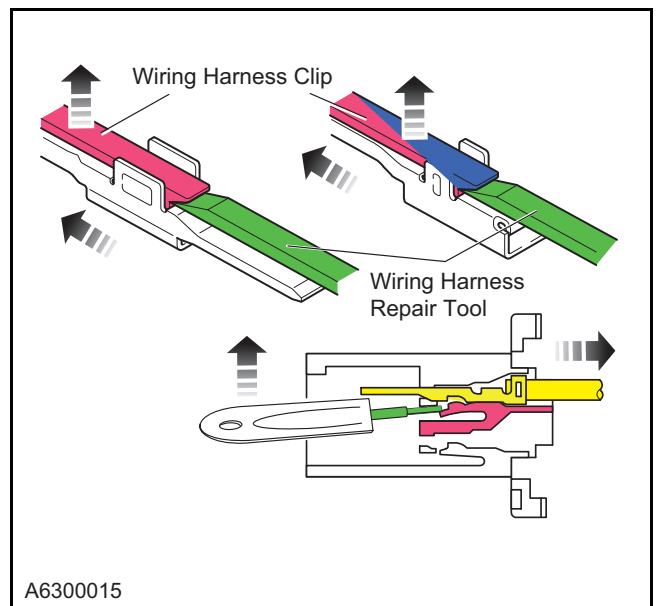
When maintaining and repairing certain terminal, use this tool to separate them from connector.

Wiring Harness Terminal Repair

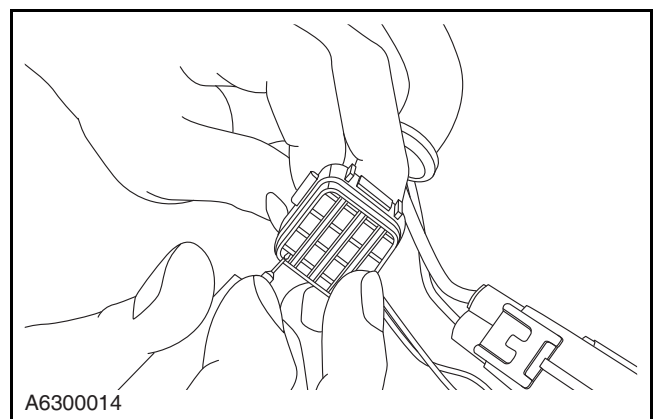
1. Remove the terminal pin.



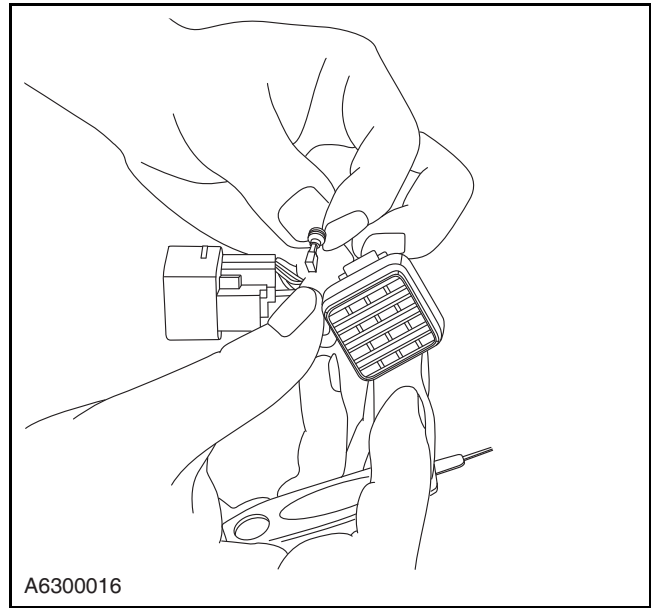
2. Separate the wiring harness clip with wiring harness repair tool.



3. Pull out the wiring harness terminal from the rear of connector.

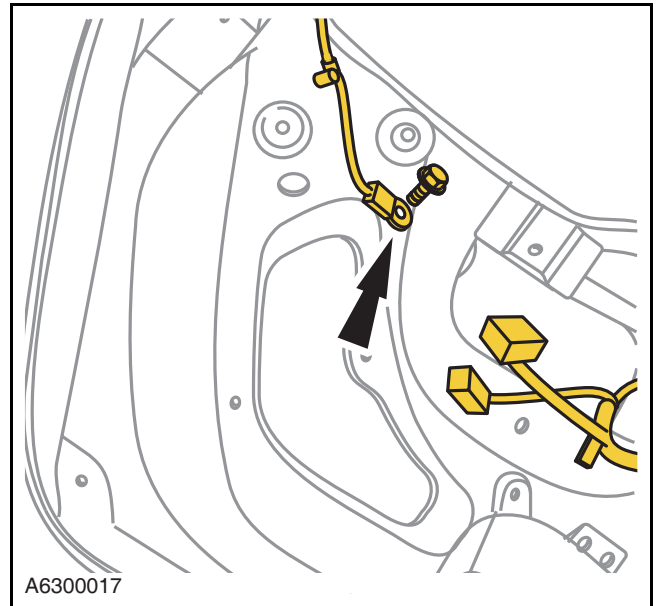


4. Adjust and clean the wiring harness terminal contact plate pulled out from connector.

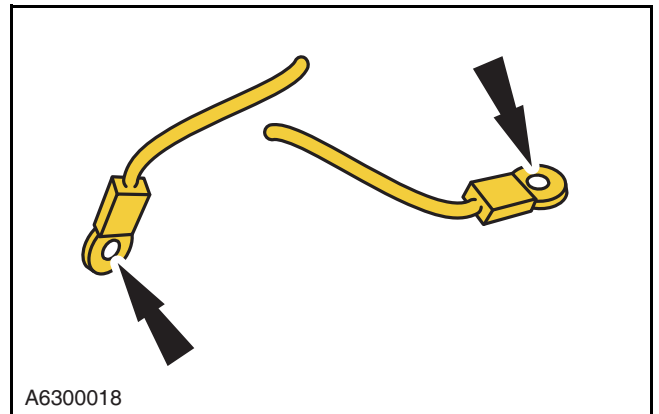


Repair Procedure for Poor Grounding Connection

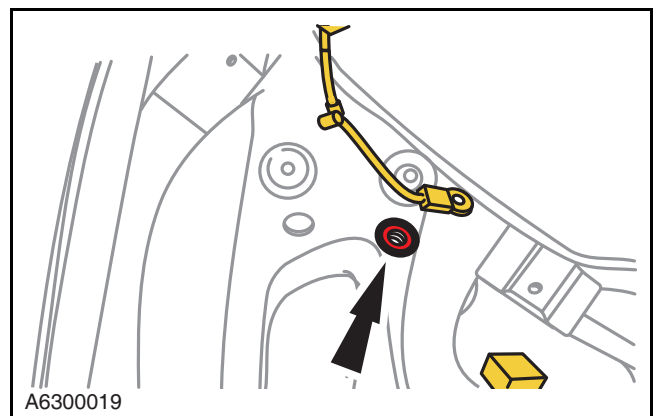
1. Remove the grounding bolt.



2. Clean the two surfaces (both vehicle contact side and bolt side) of copper ring with abrasive cloth until the oxide is completely cleared.



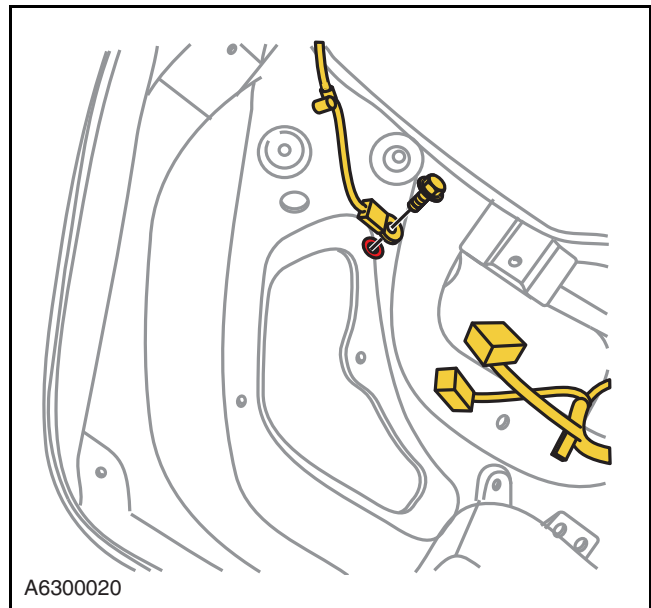
3. Clean the grounding surface on the vehicle with abrasive cloth until it is completely cleaned.



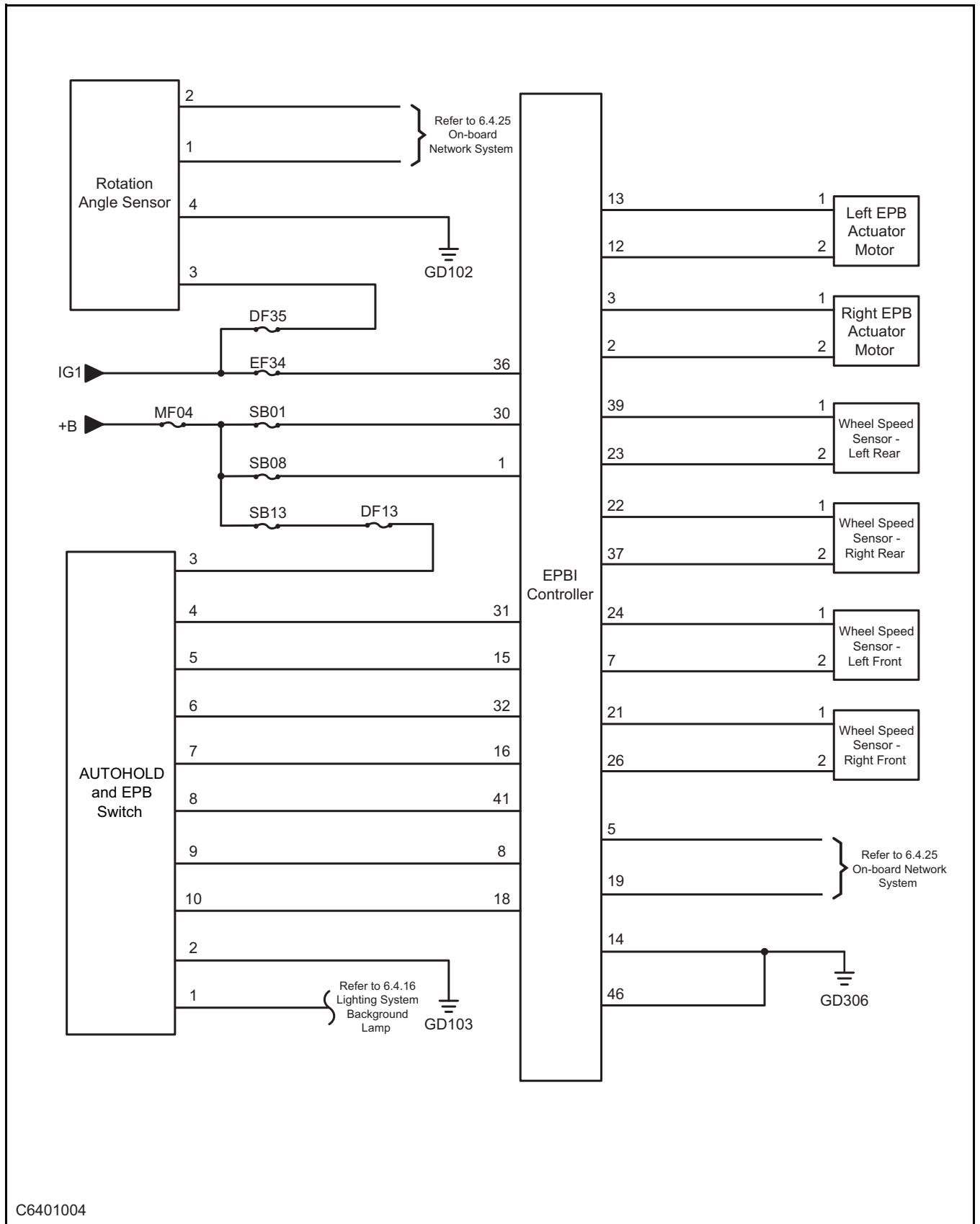
4. Reinstall the wiring harness and retaining bolt of grounding. Tighten it to specified torque.

Torque for M6 bolt: 8 Nm

Torque for M8 bolt: 20 Nm

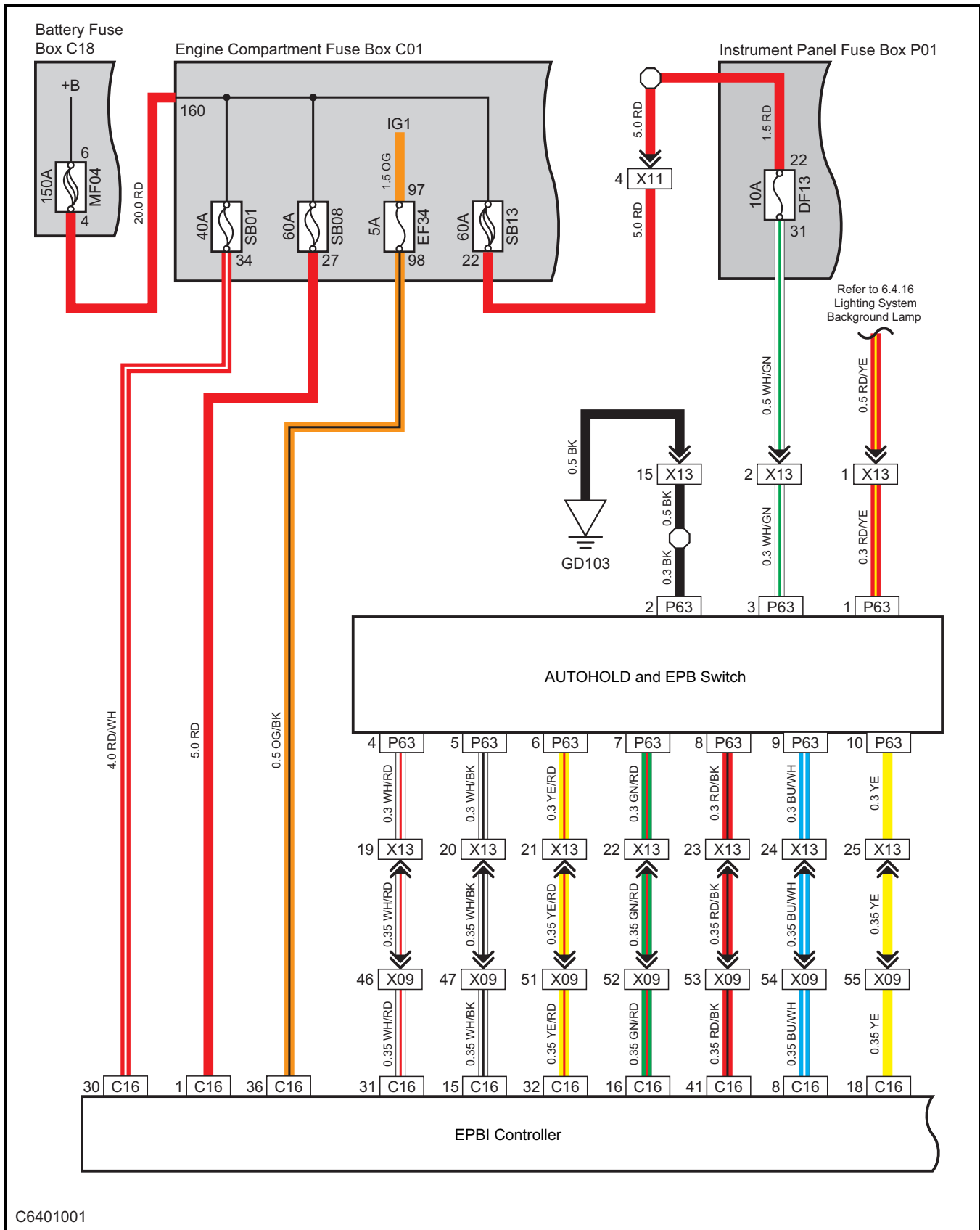


Integrated Electronic Parking Brake System (Including ESP)

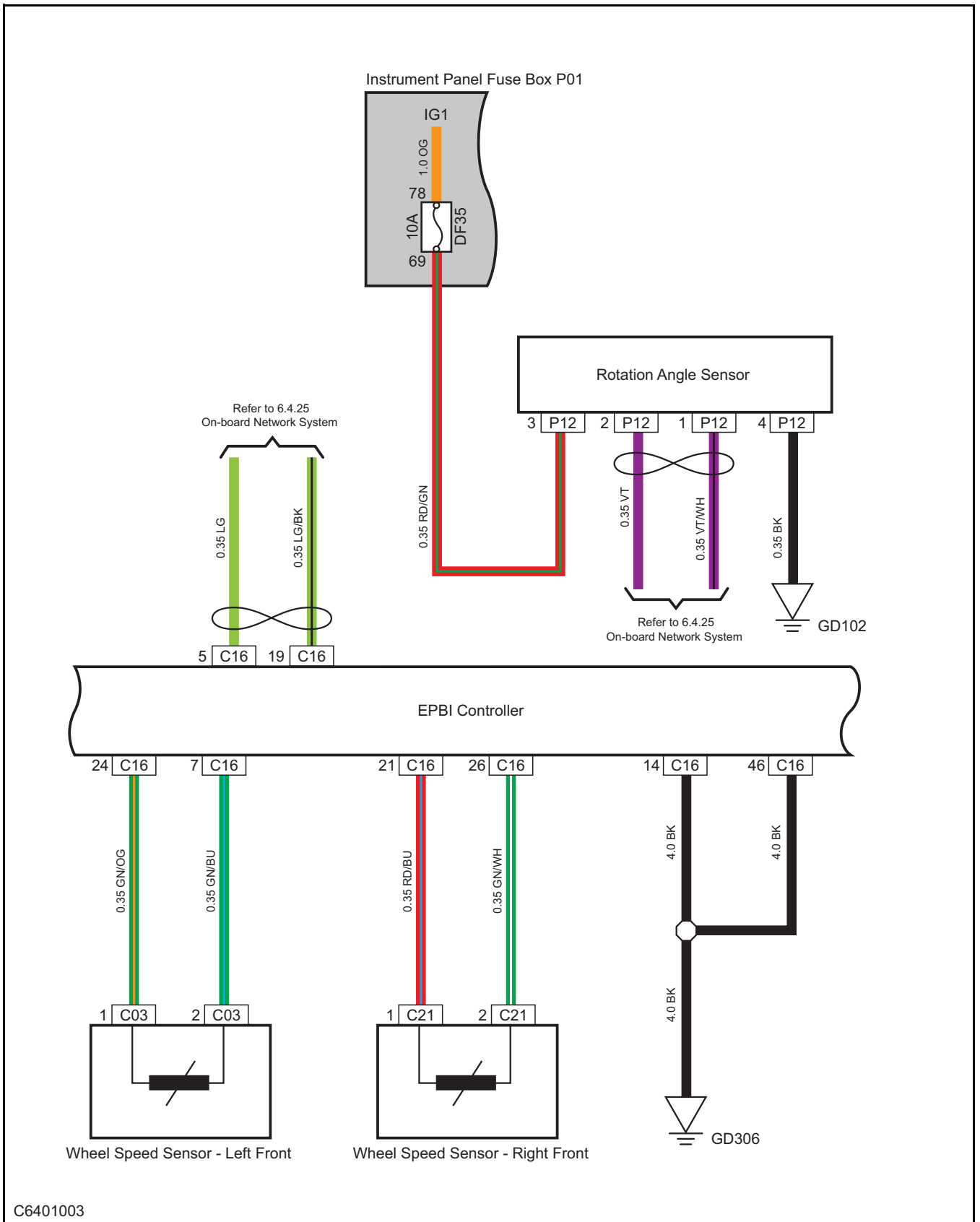


C6401004

Power Supply/EPB Central Box Switch Box

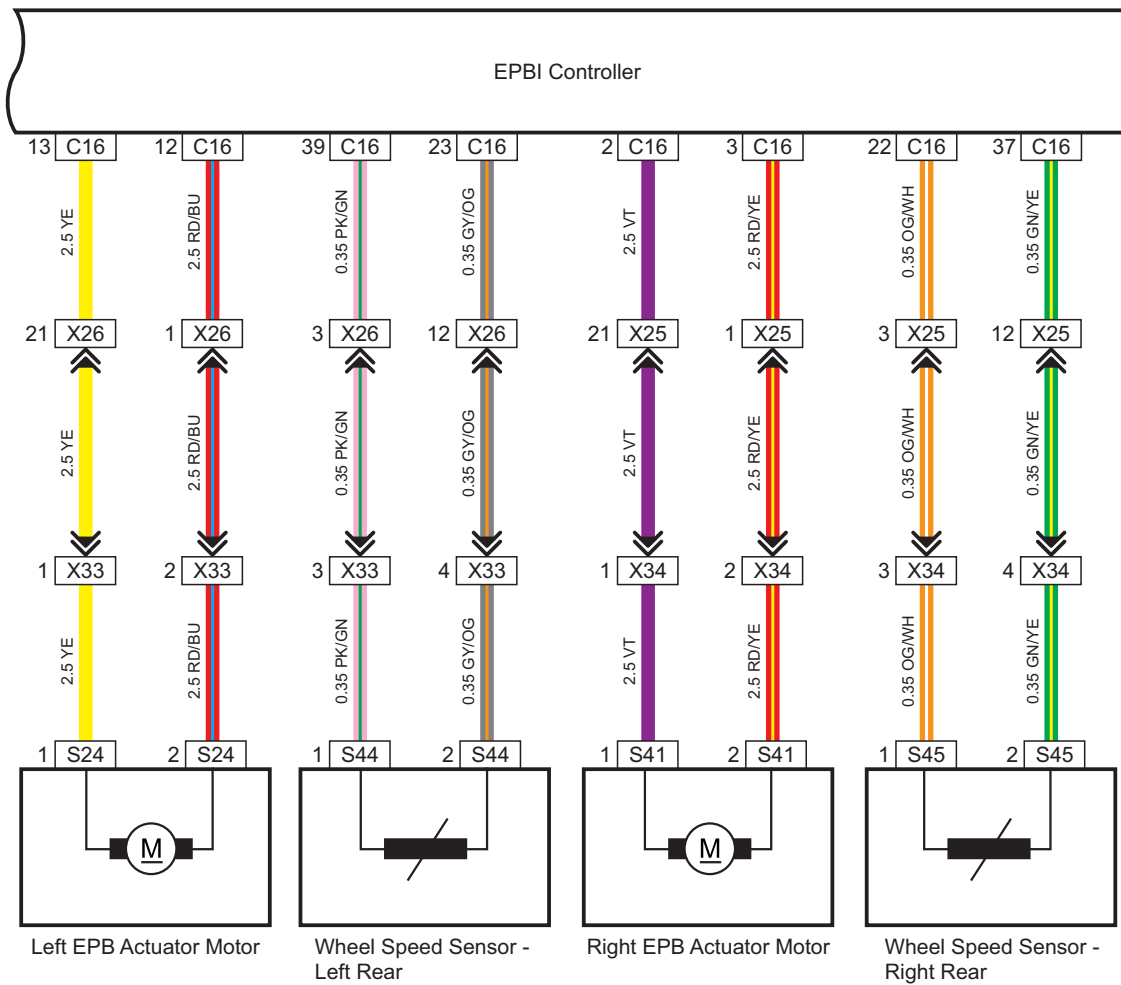


Front Wheel Speed Sensor



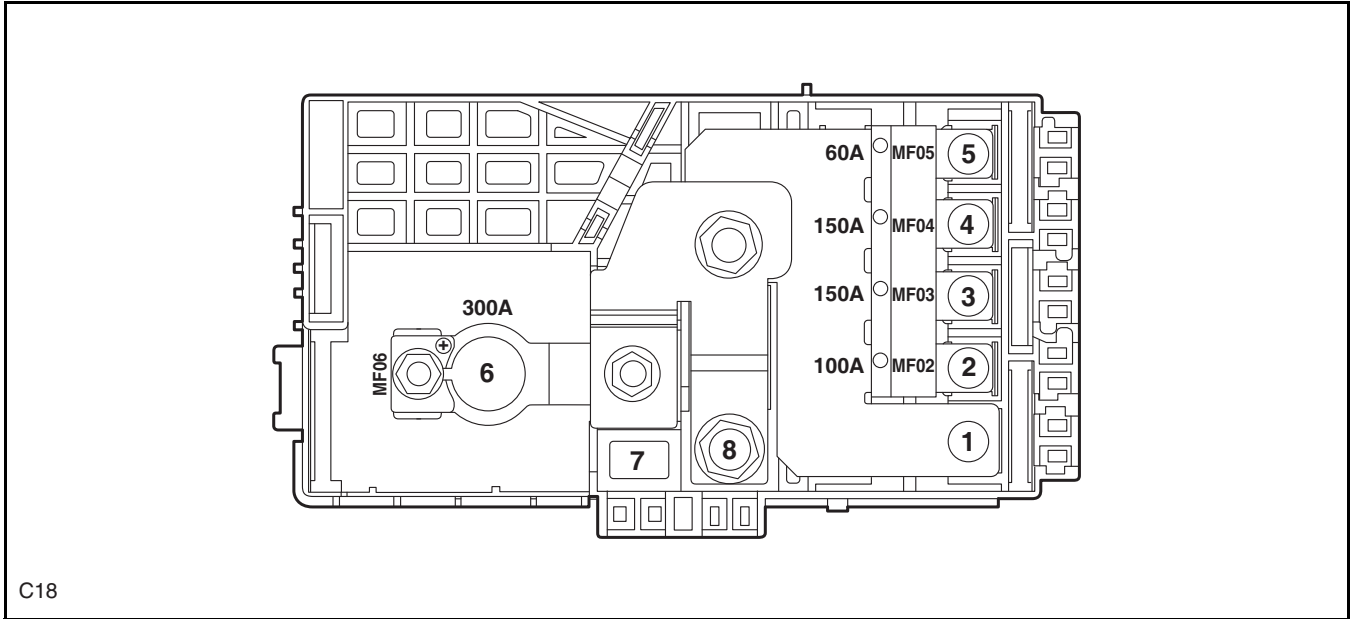
C6401003

EPB Actuator Motor/Rear Wheel Speed Sensor



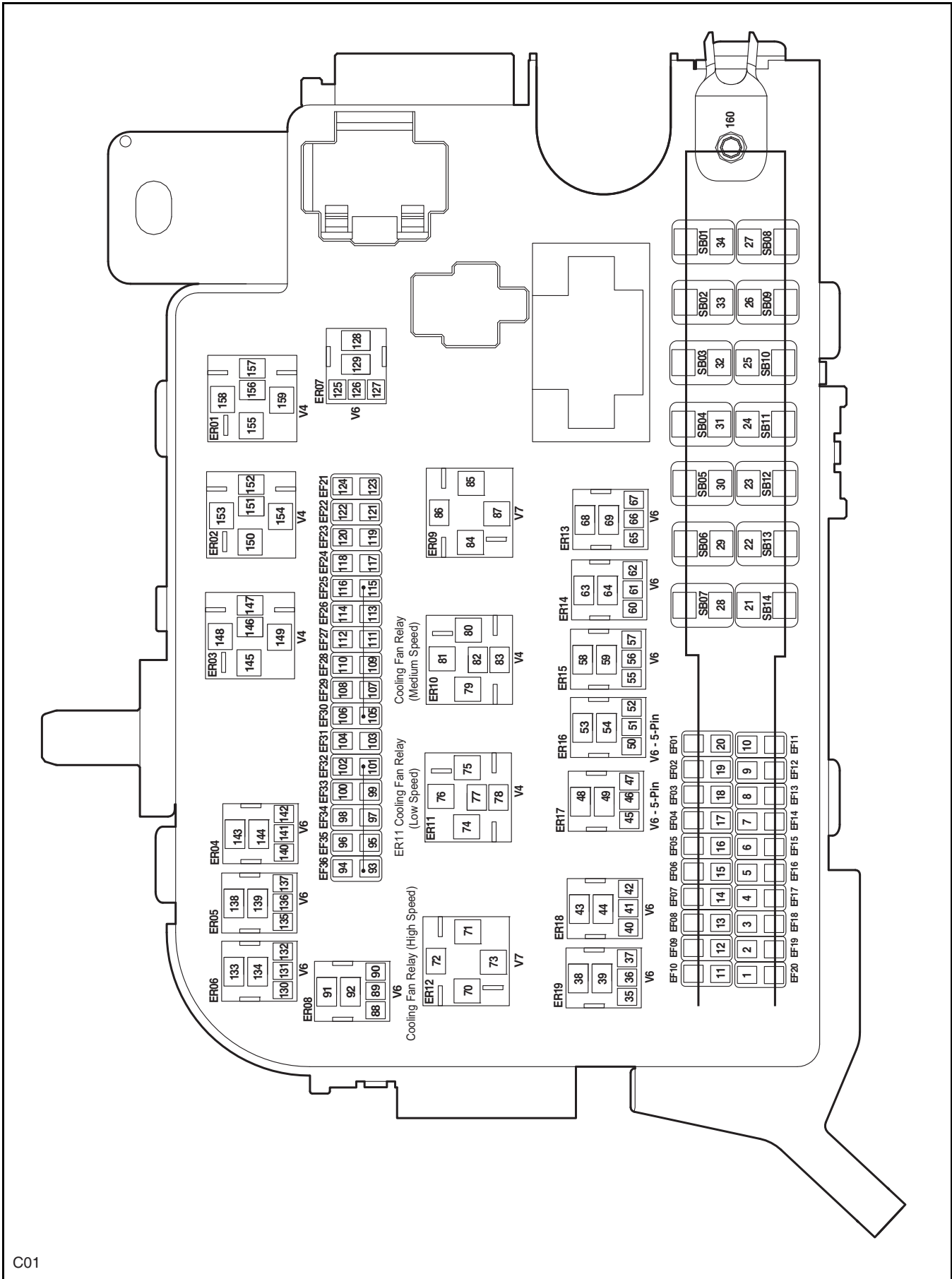
C6401002

Battery Fuse Box



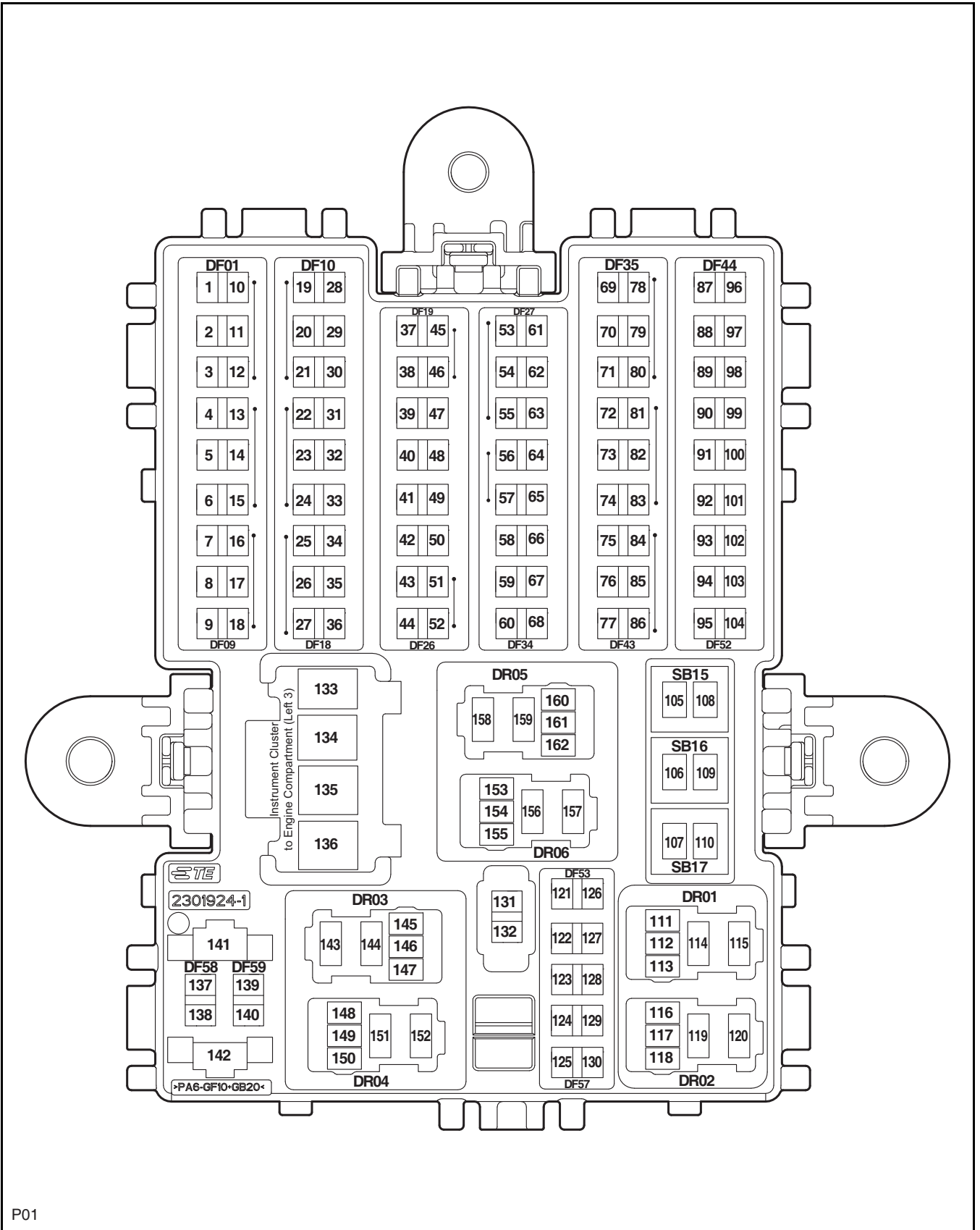
C18

Engine Compartment Fuse Box



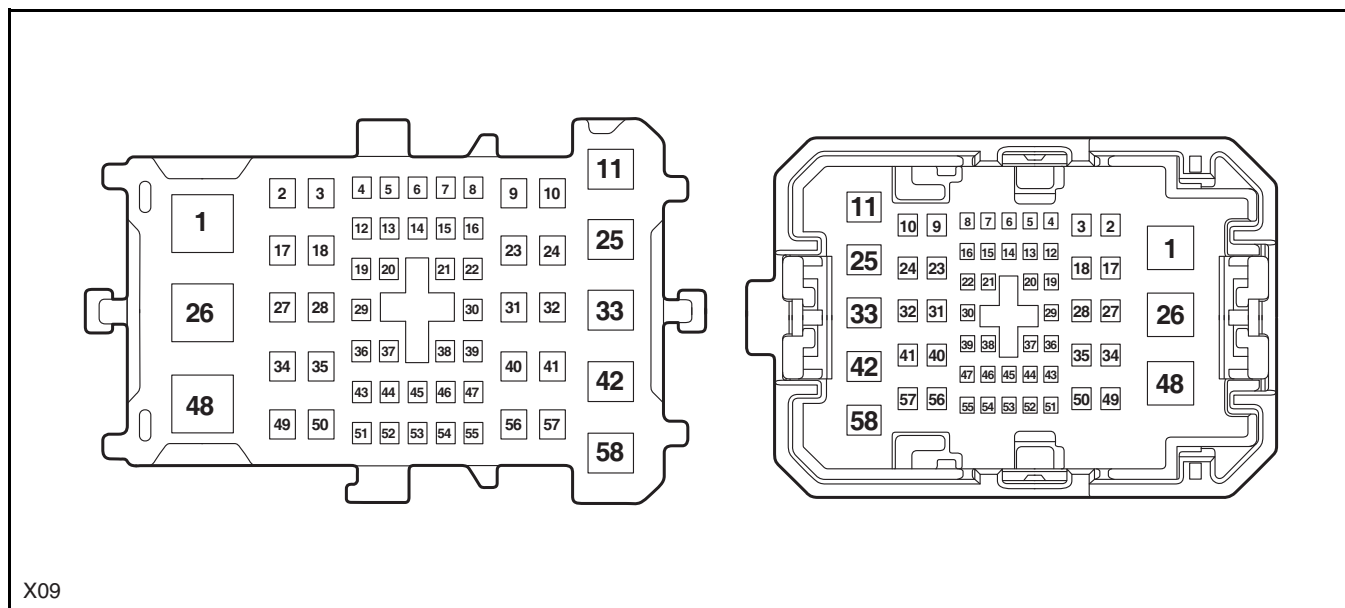
C01

Instrument Panel Fuse Box



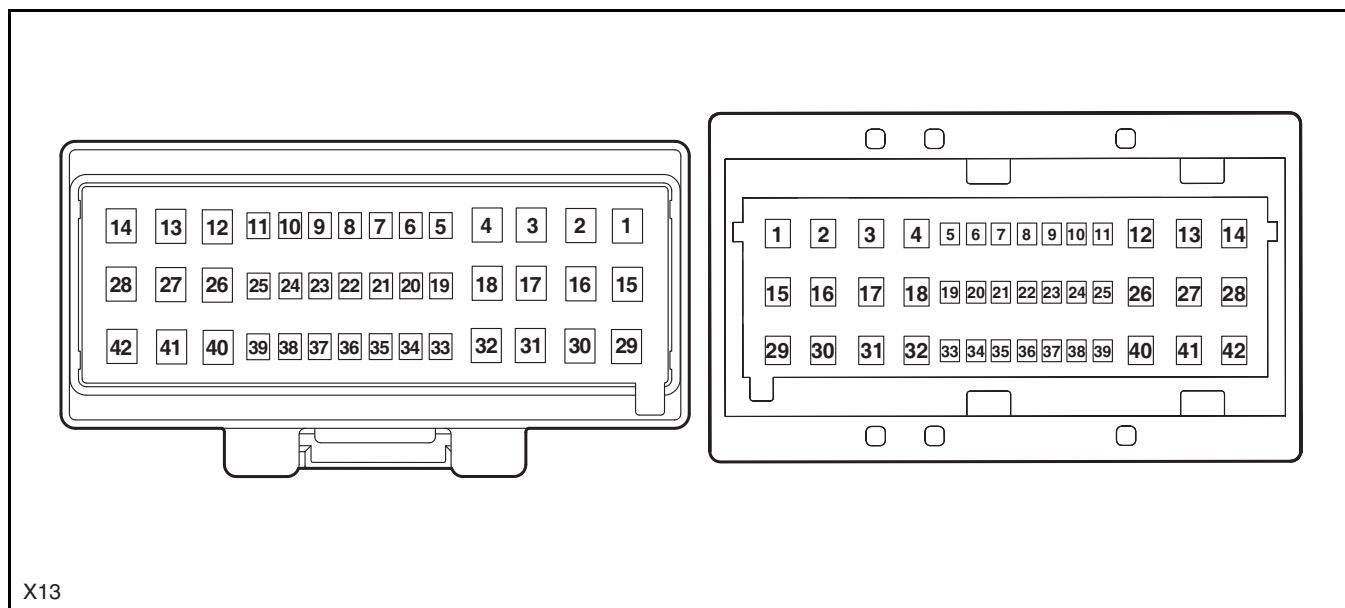
Instrument Panel Wiring Harness to Engine
Compartment Wiring Harness (Left 1)

Engine Compartment Wiring Harness to Instrument
Panel Wiring Harness (Left 1)



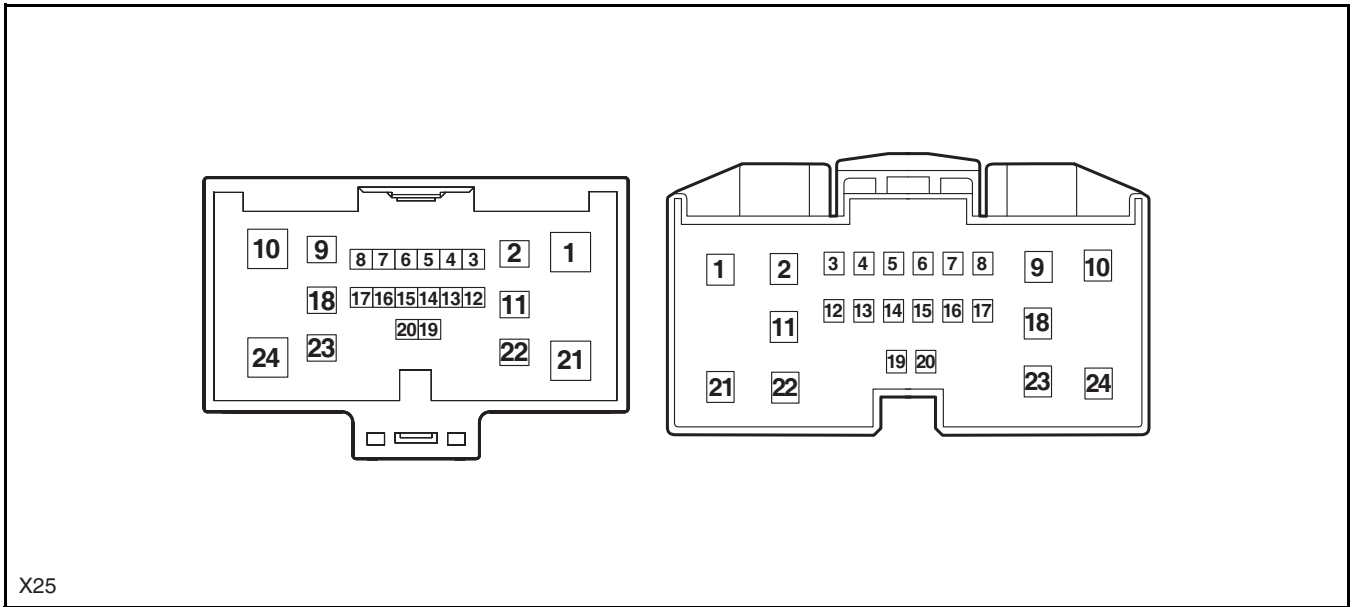
Instrument Panel Wiring Harness to Auxiliary Fascia
Console Wiring Harness Panel

Auxiliary Fascia Console Wiring Harness Panel to
Instrument Panel Wiring Harness



Chassis Wiring Harness to Engine Compartment
Wiring Harness (Right 1)

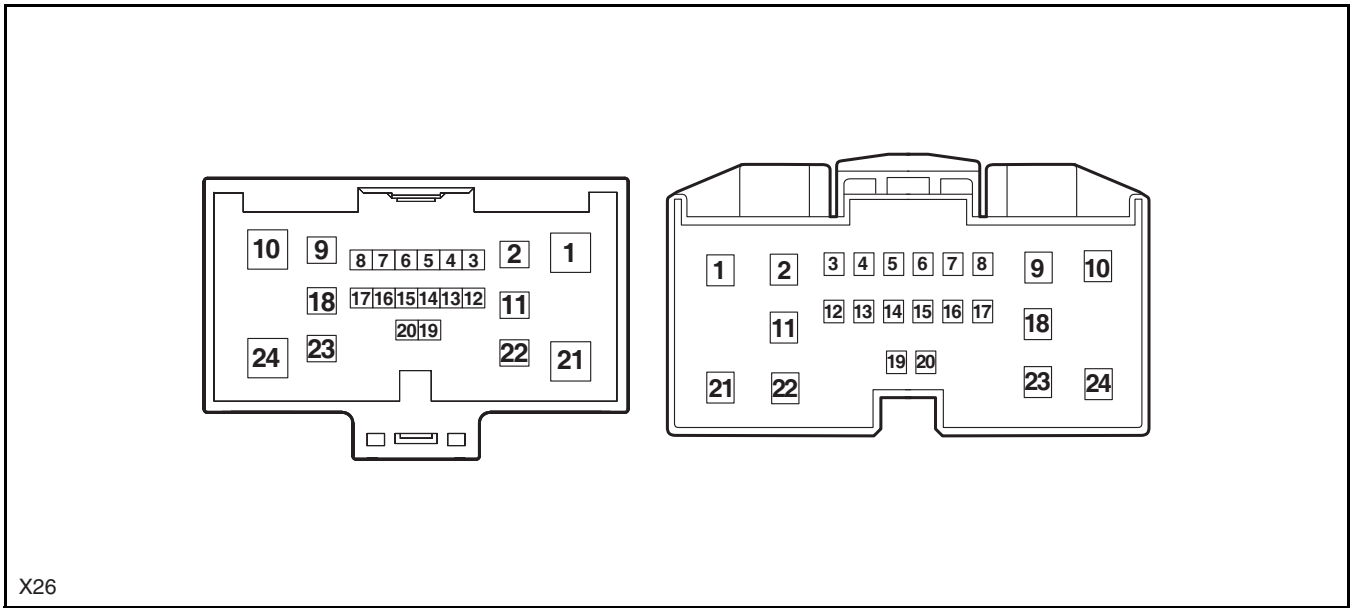
Engine Compartment Wiring Harness to Chassis
Wiring Harness (Right 1)



X25

Chassis Wiring Harness to Engine Compartment
Wiring Harness (Left 1)

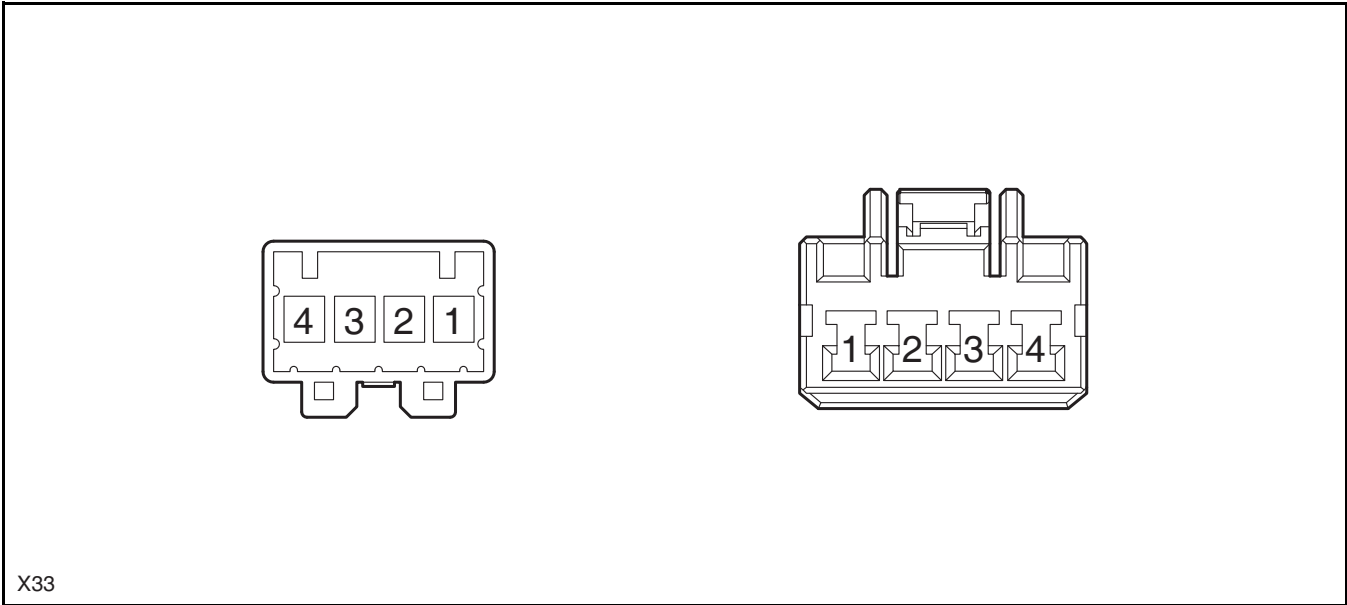
Engine Compartment Wiring Harness to Chassis
Wiring Harness (Left 1)



X26

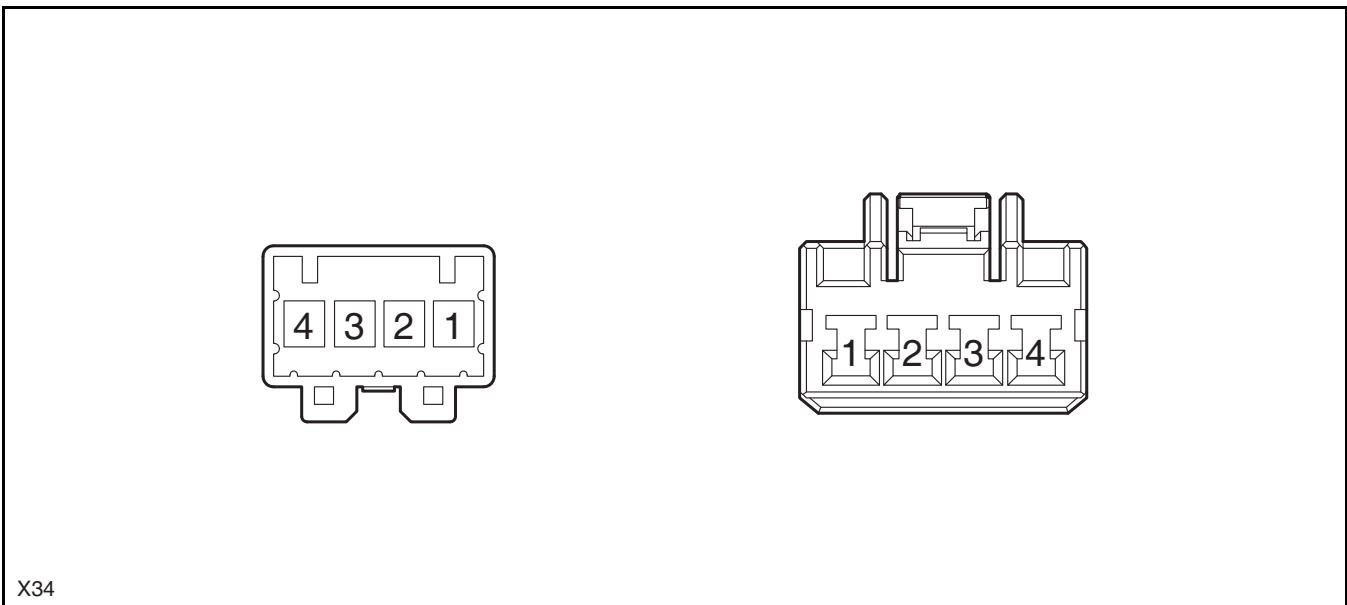
Chassis Wiring Harness to Electronic Parking Brake Motor Wiring Harness-Left

Electronic Parking Brake Motor Wiring Harness-Left to Chassis Wiring Harness



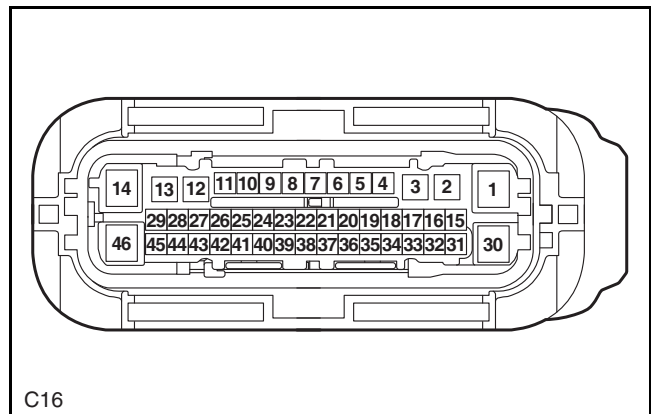
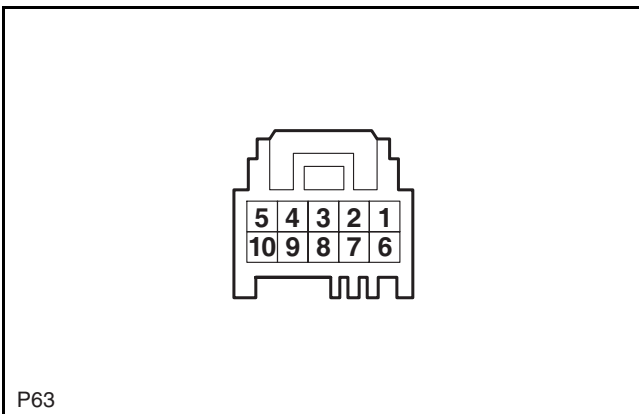
Chassis Wiring Harness to Electronic Parking Brake Motor Wiring Harness-Right

Electronic Parking Brake Motor Wiring Harness-Right to Chassis Wiring Harness

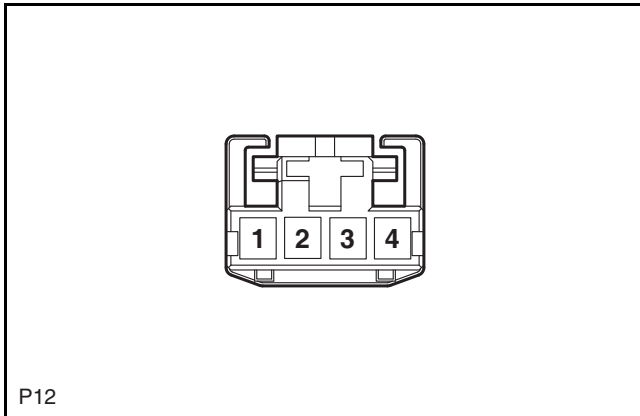


AUTOHOLD and EPB Switch

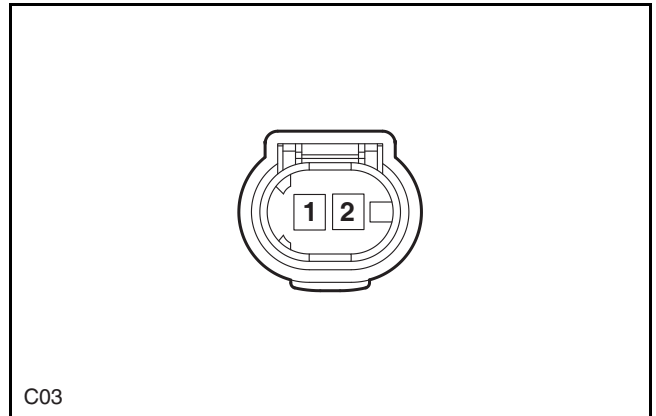
EPBI Controller



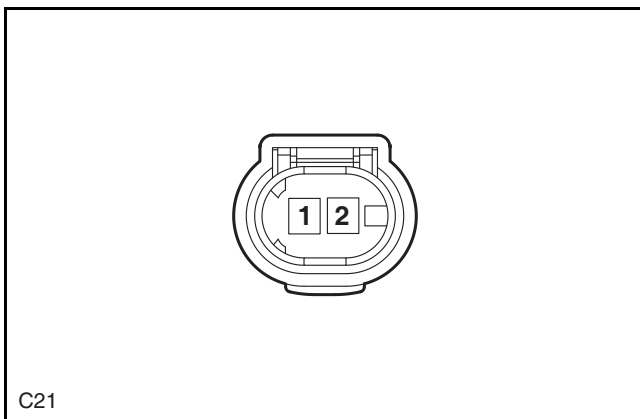
Rotation Angle Sensor



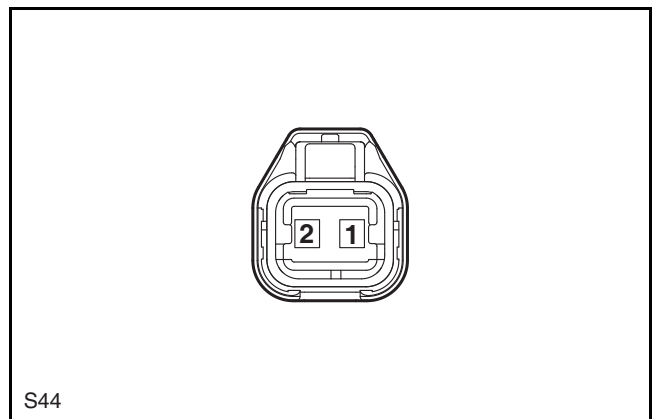
Wheel Speed Sensor - Left Front



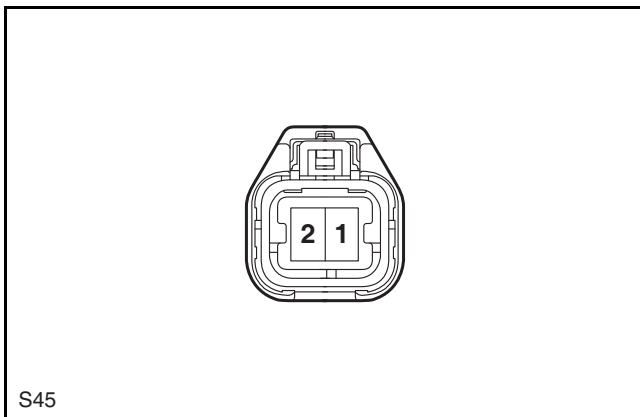
Wheel Speed Sensor - Right Front



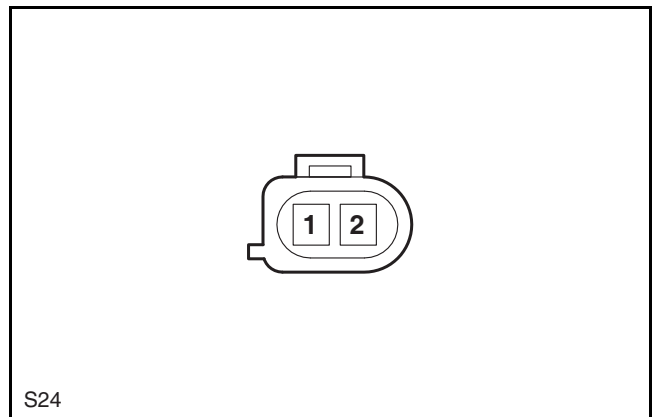
Wheel Speed Sensor - Left Rear



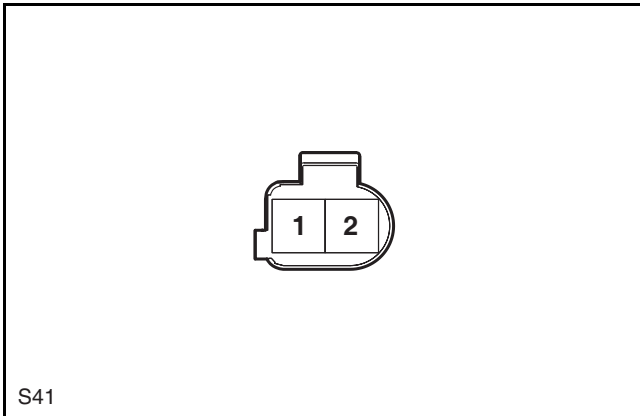
Wheel Speed Sensor - Right Rear



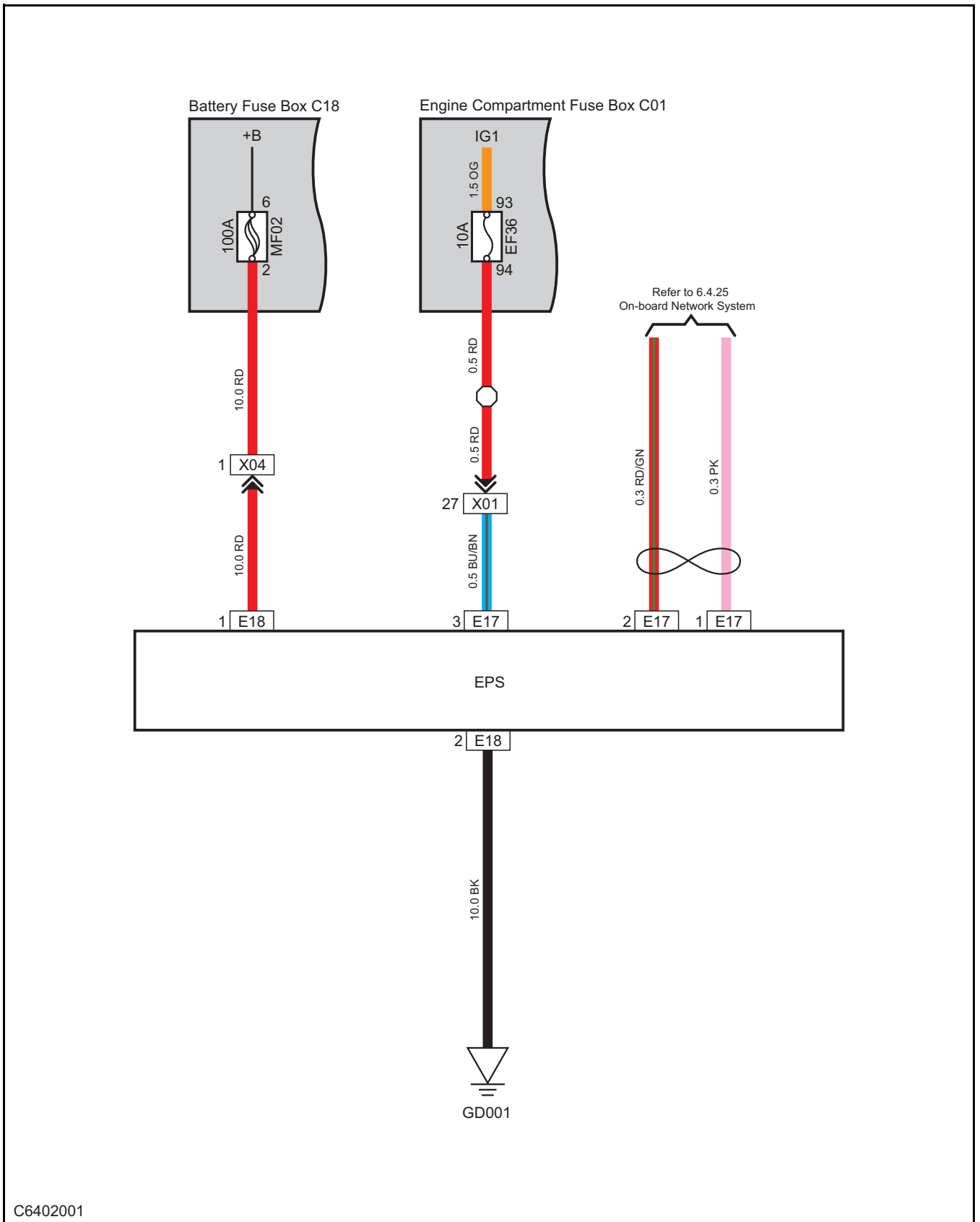
Left EPB Actuator Motor



Right EPB Actuator Motor

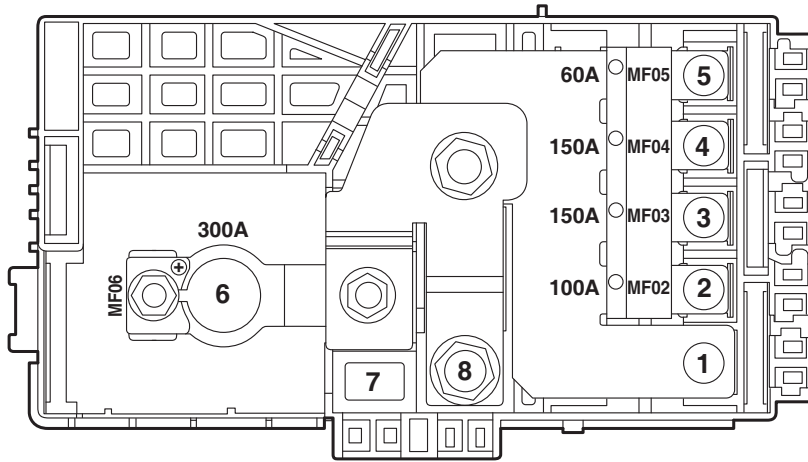


Electronic Power Steering



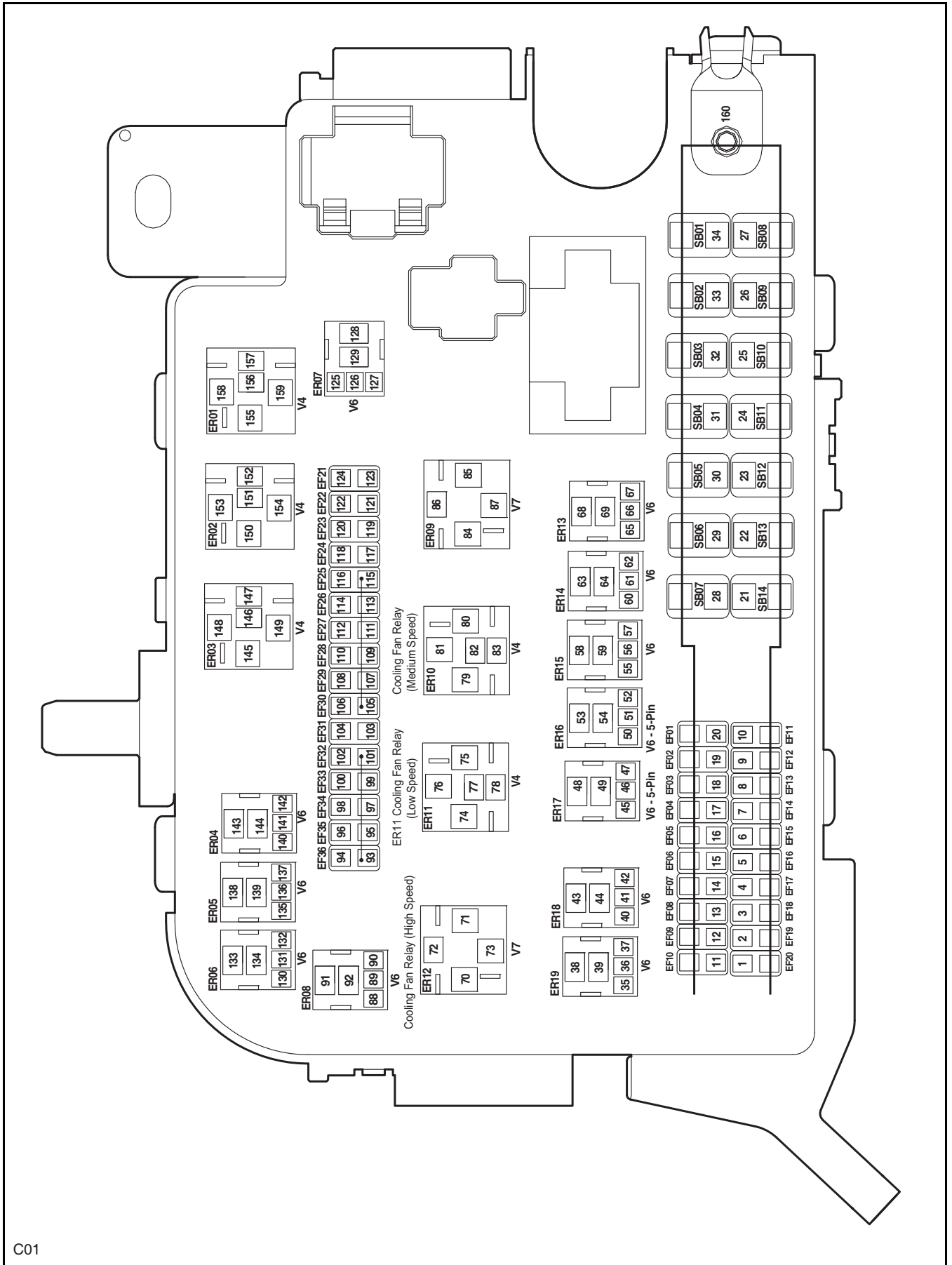
C6402001

Battery Fuse Box



C18

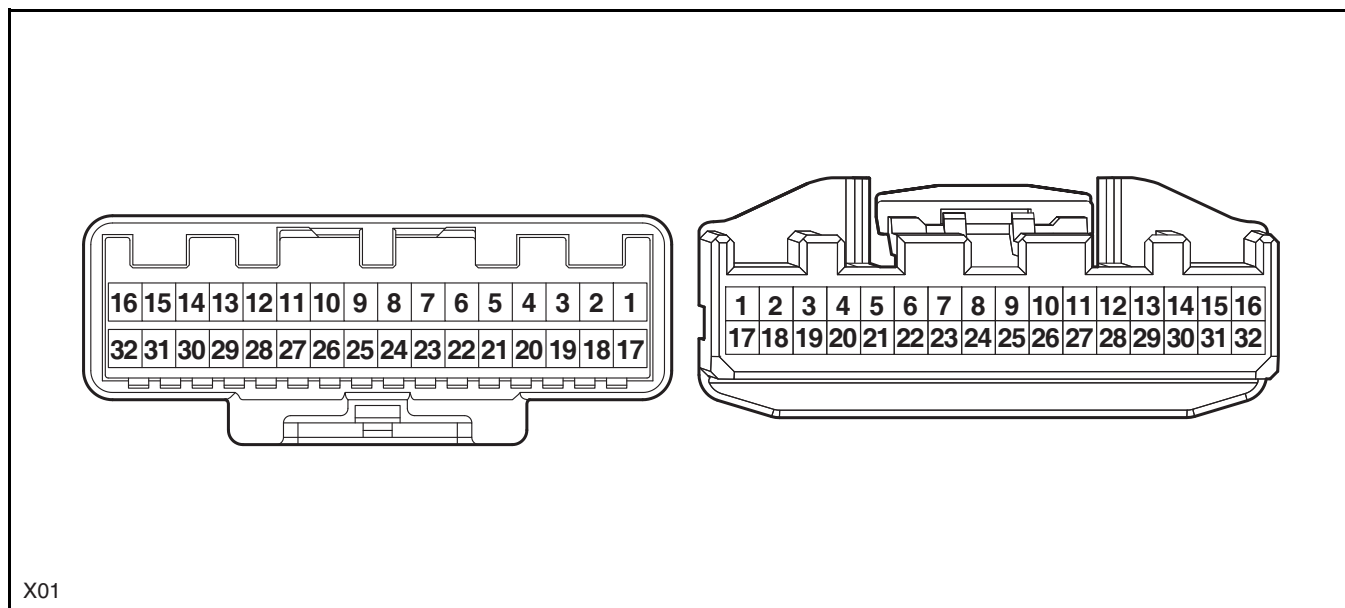
Engine Compartment Fuse Box



C01

Engine Compartment Wiring Harness to Engine Wiring Harness 1

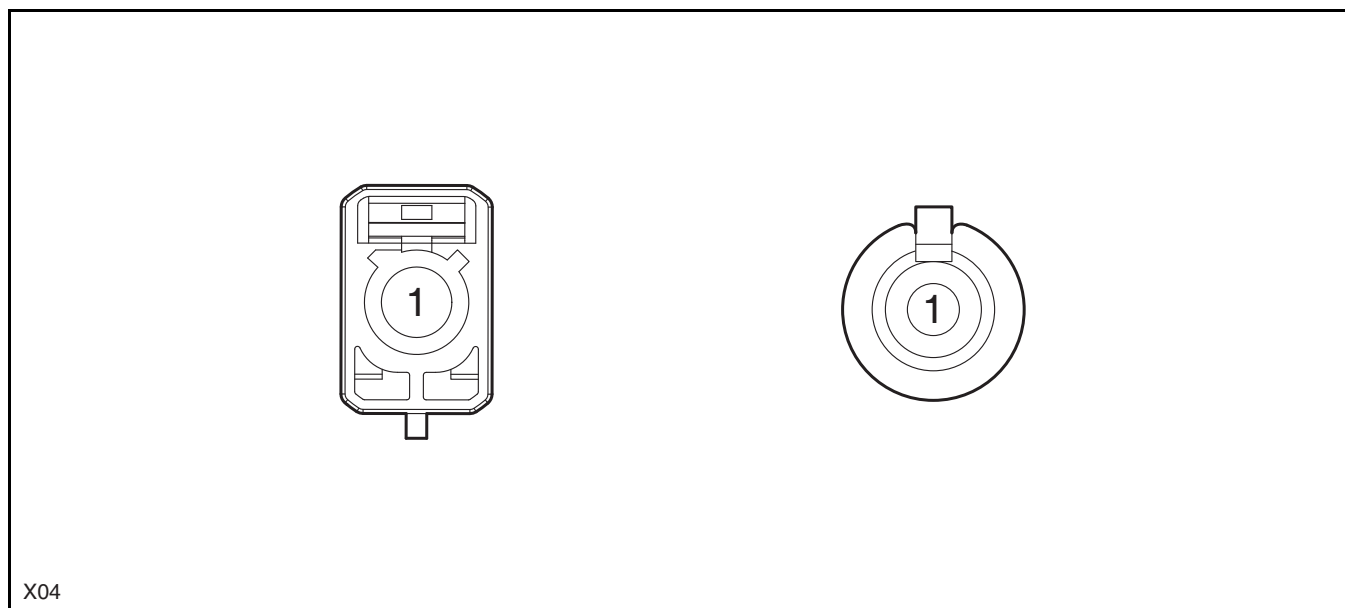
Engine Wiring Harness 1 to Engine Compartment Wiring Harness



X01

Engine Compartment Wiring Harness to Instrument Panel Wiring Harness (Front Camera)

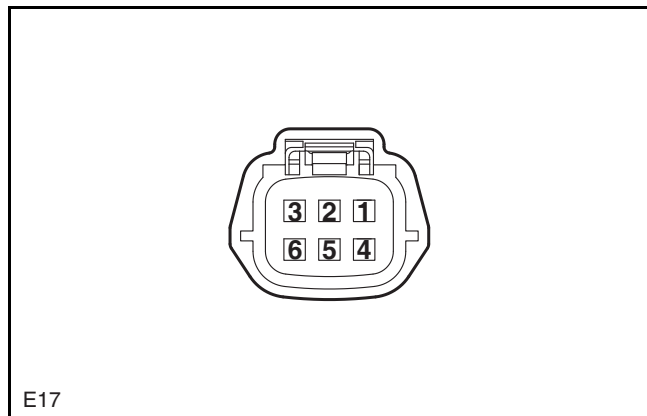
Instrument Panel Wiring Harness to Engine Compartment Wiring Harness (Front Camera)



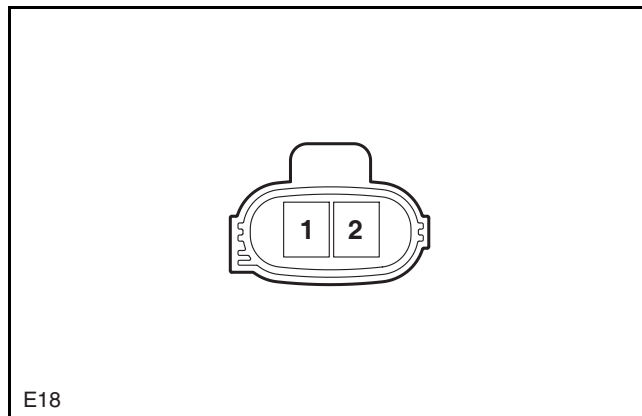
X04

EPS Signal

EPS Power Supply

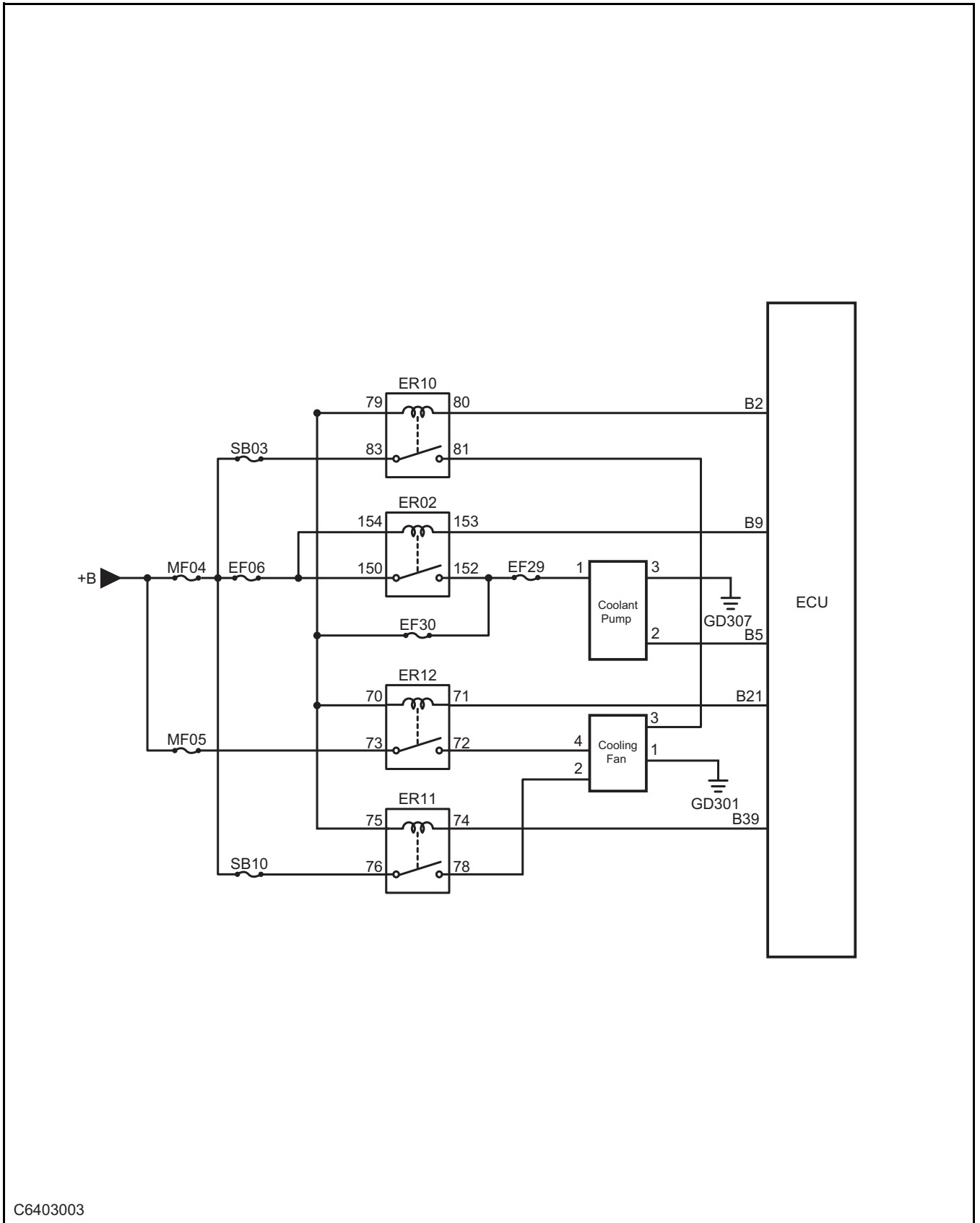


E17



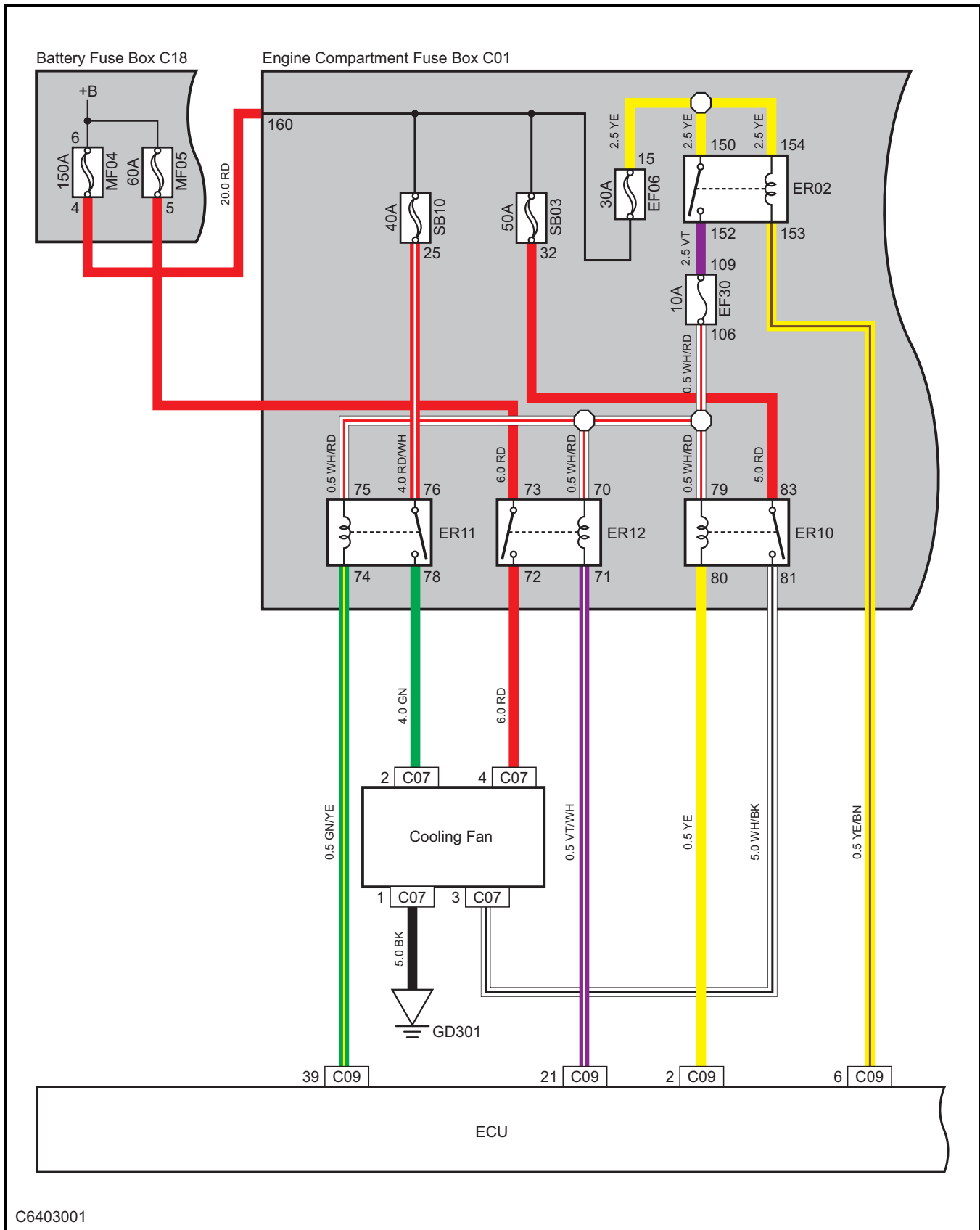
E18

Cooling System



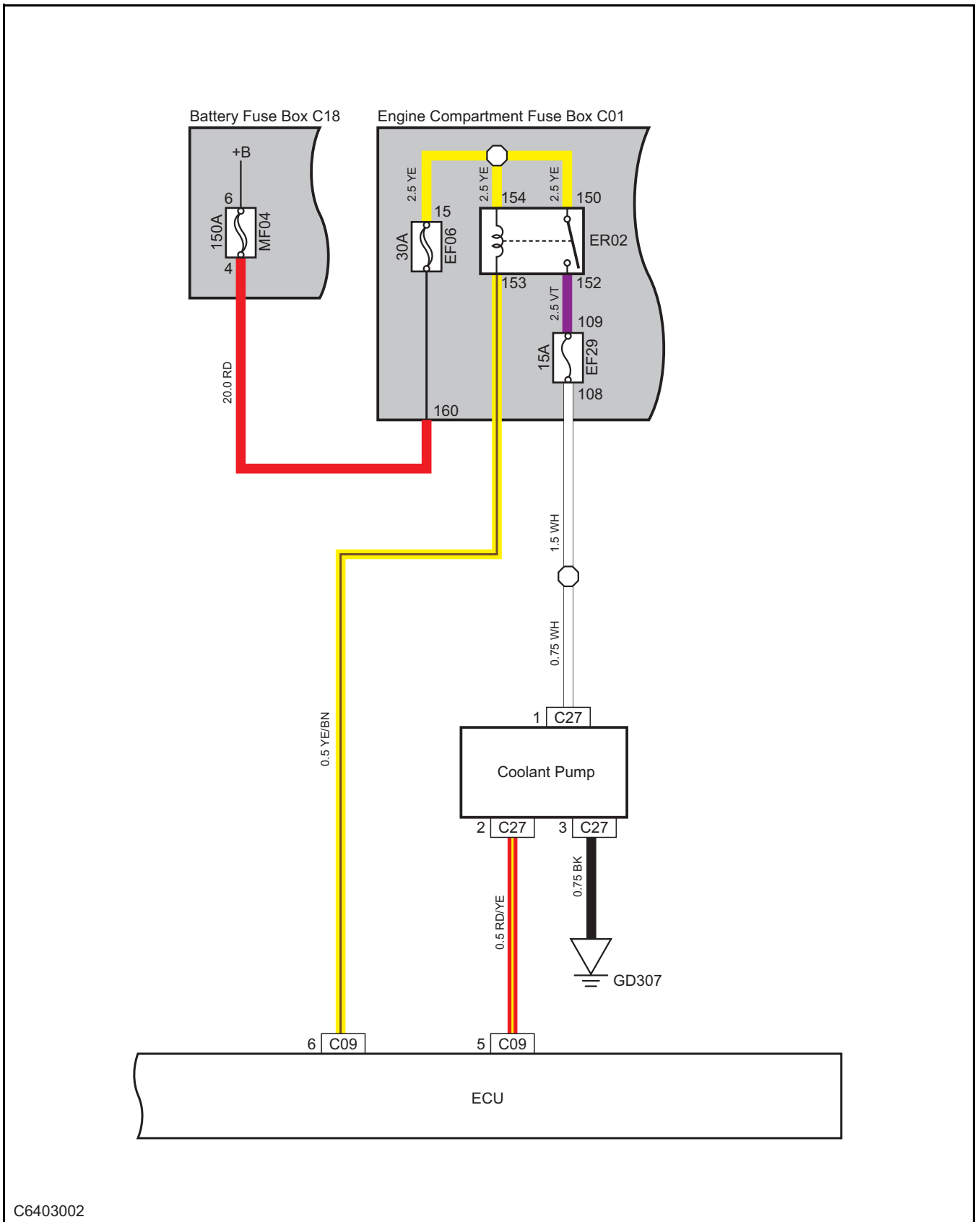
C6403003

Radiator Fan



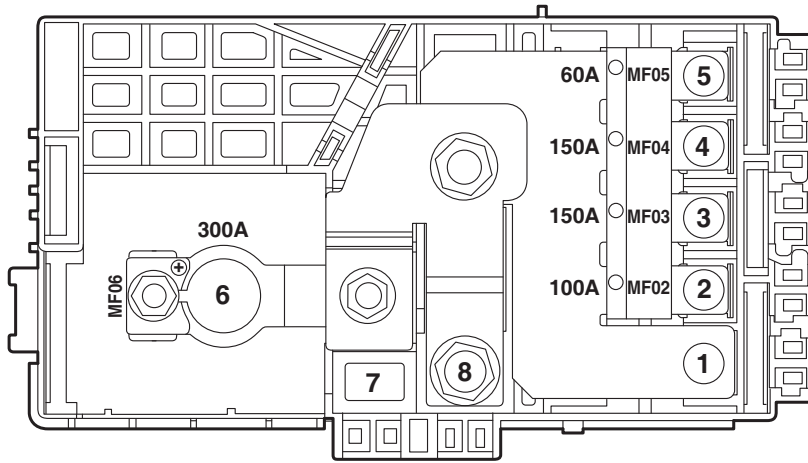
C6403001

Coolant Pump



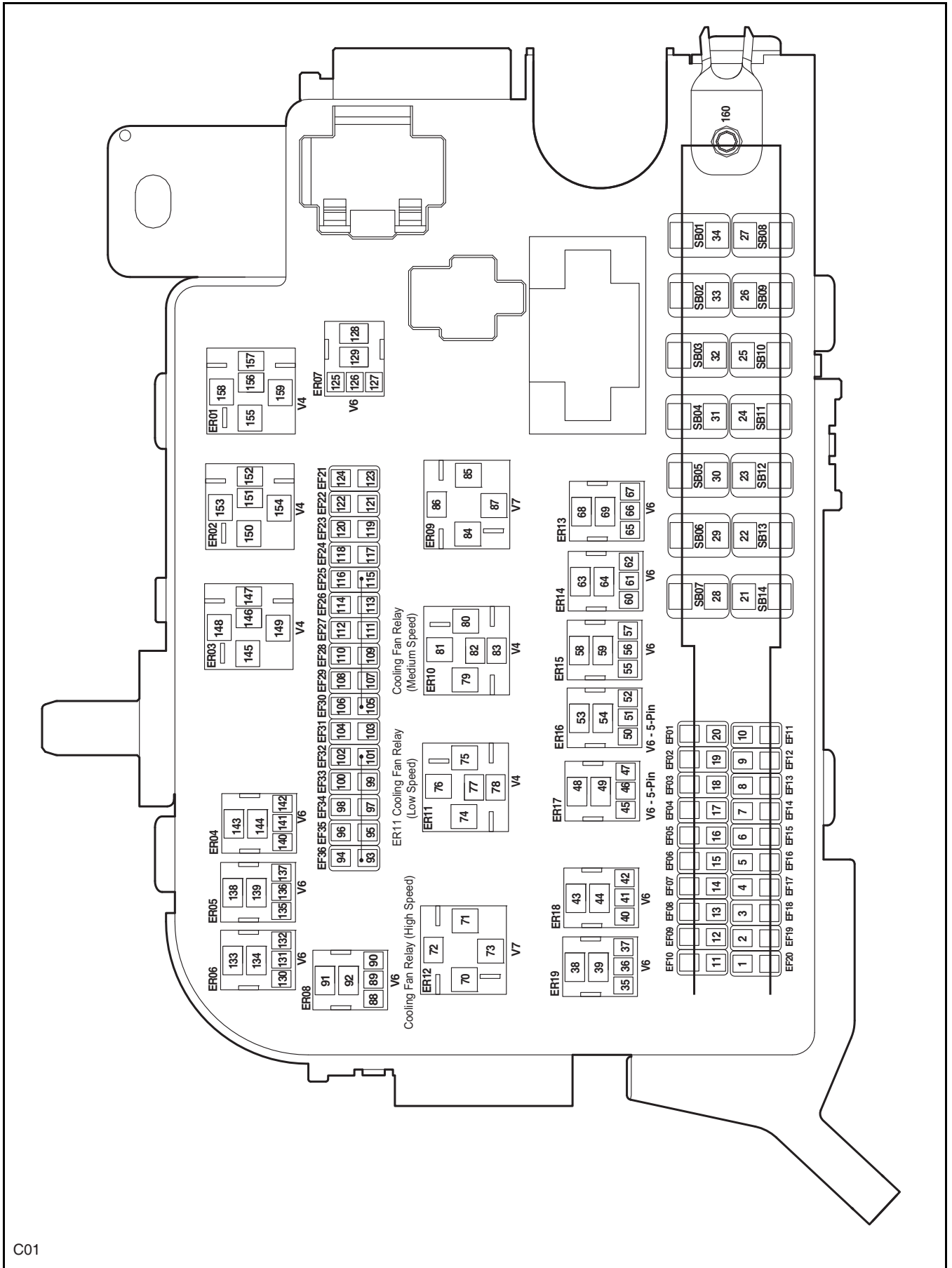
C6403002

Battery Fuse Box



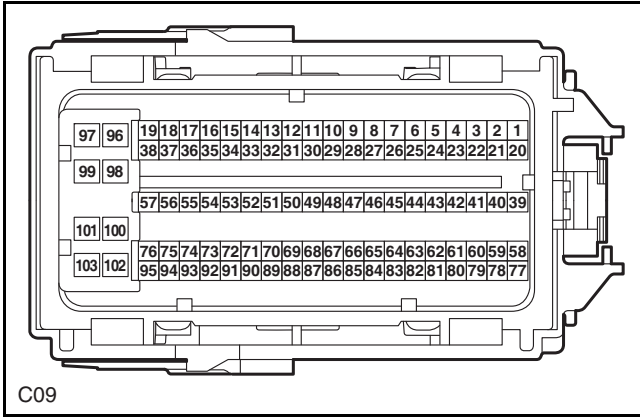
C18

Engine Compartment Fuse Box

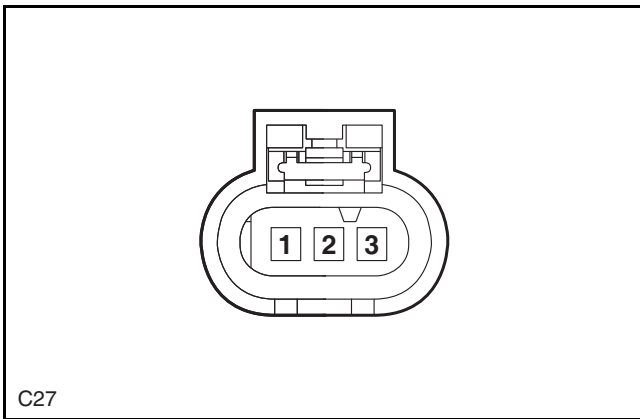


C01

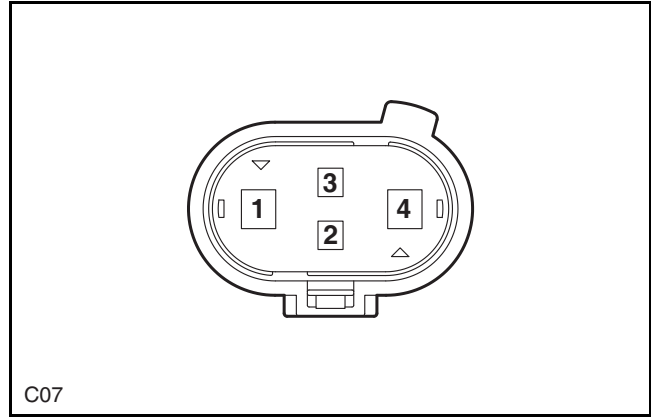
ECU-B



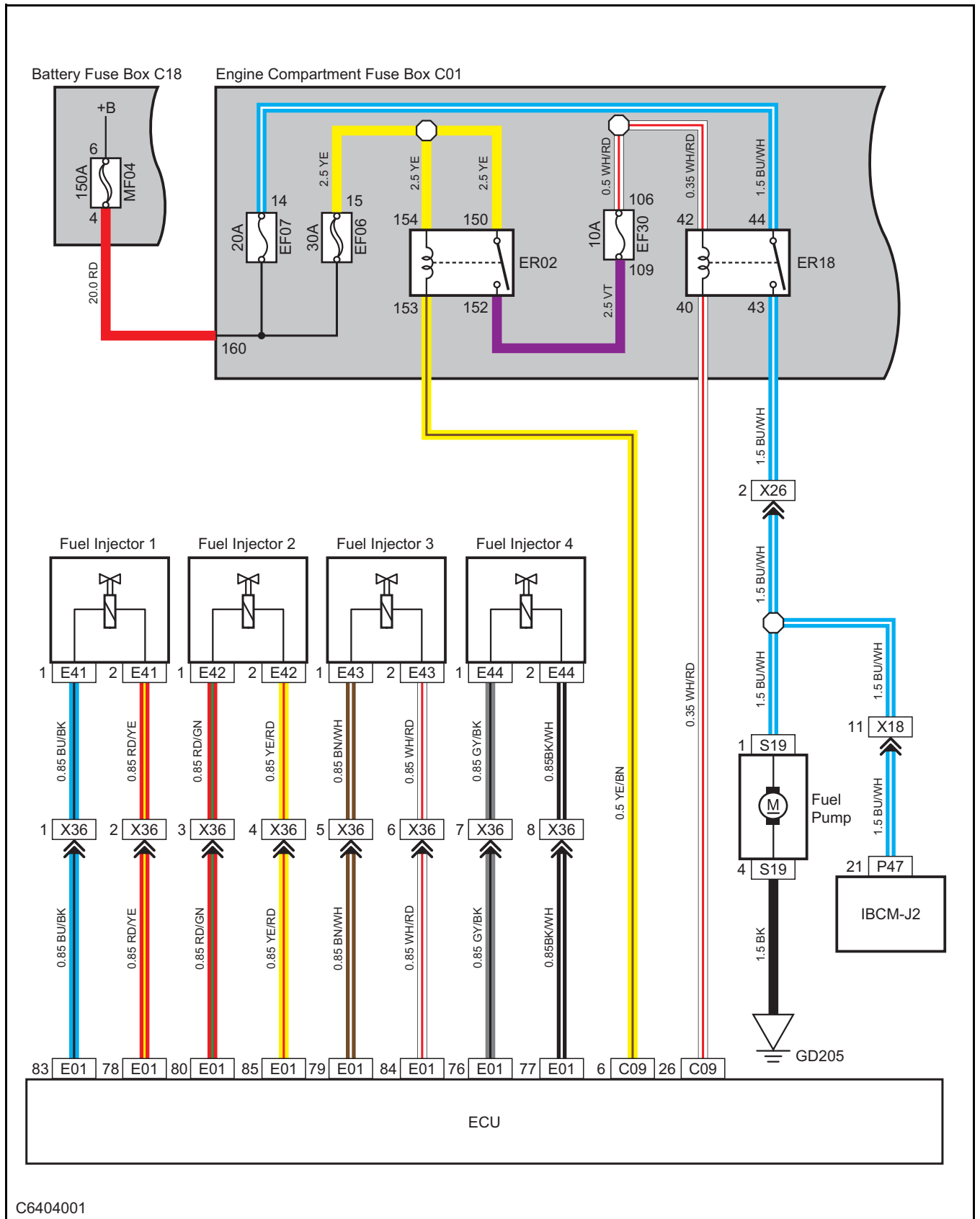
Coolant Pump



Cooling Fan

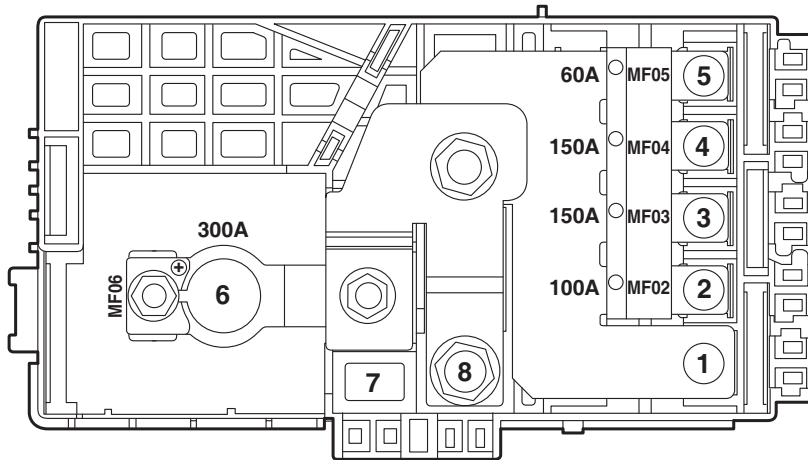


Fuel System



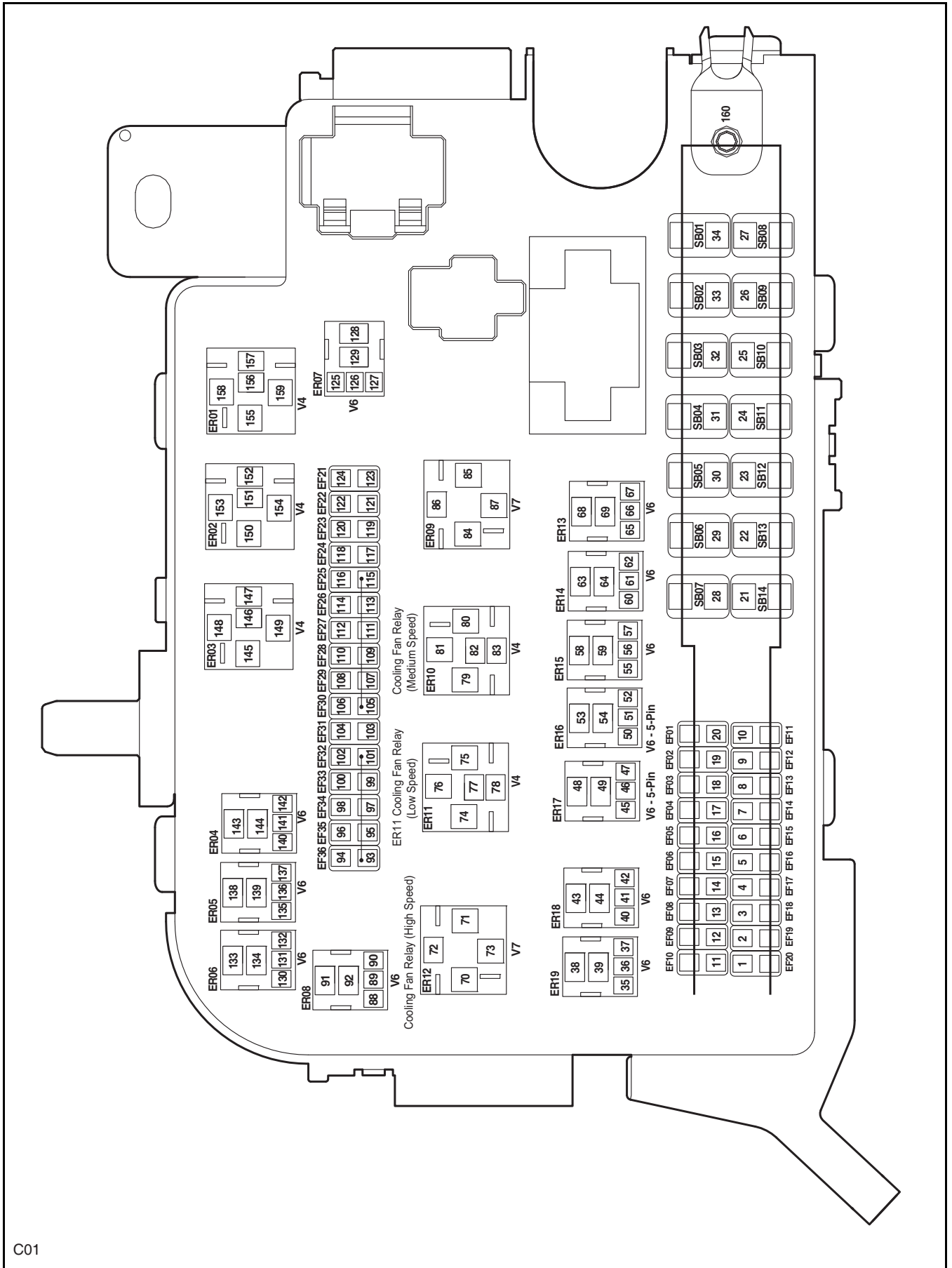
C6404001

Battery Fuse Box



C18

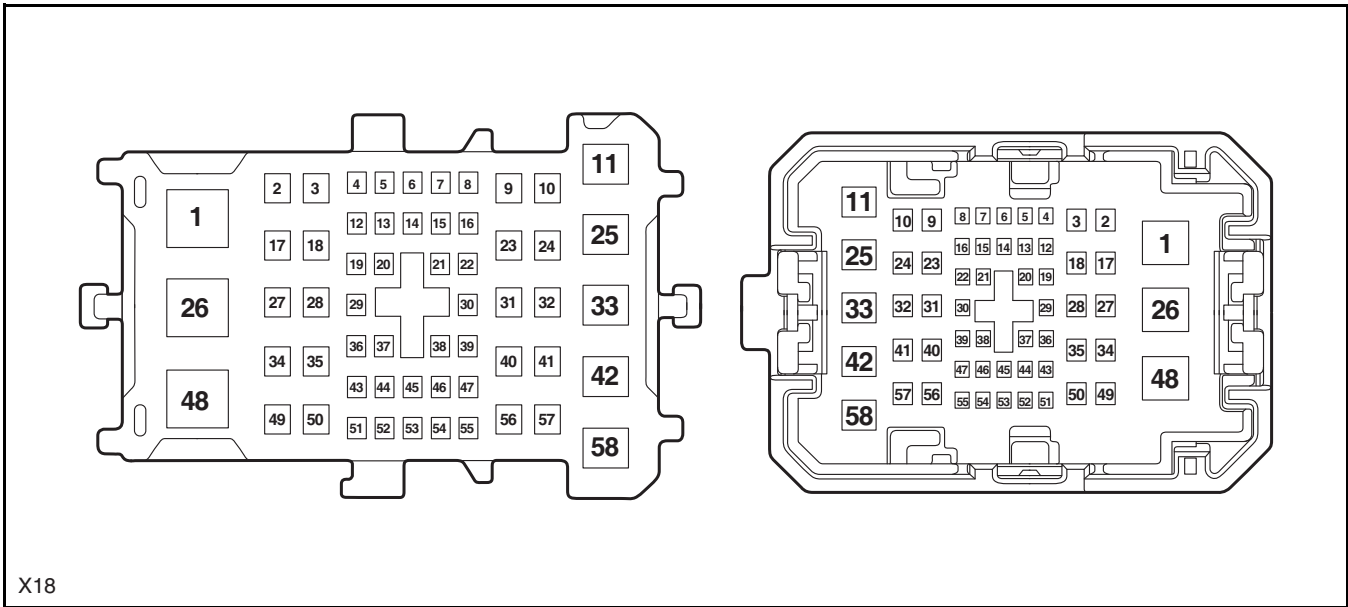
Engine Compartment Fuse Box



C01

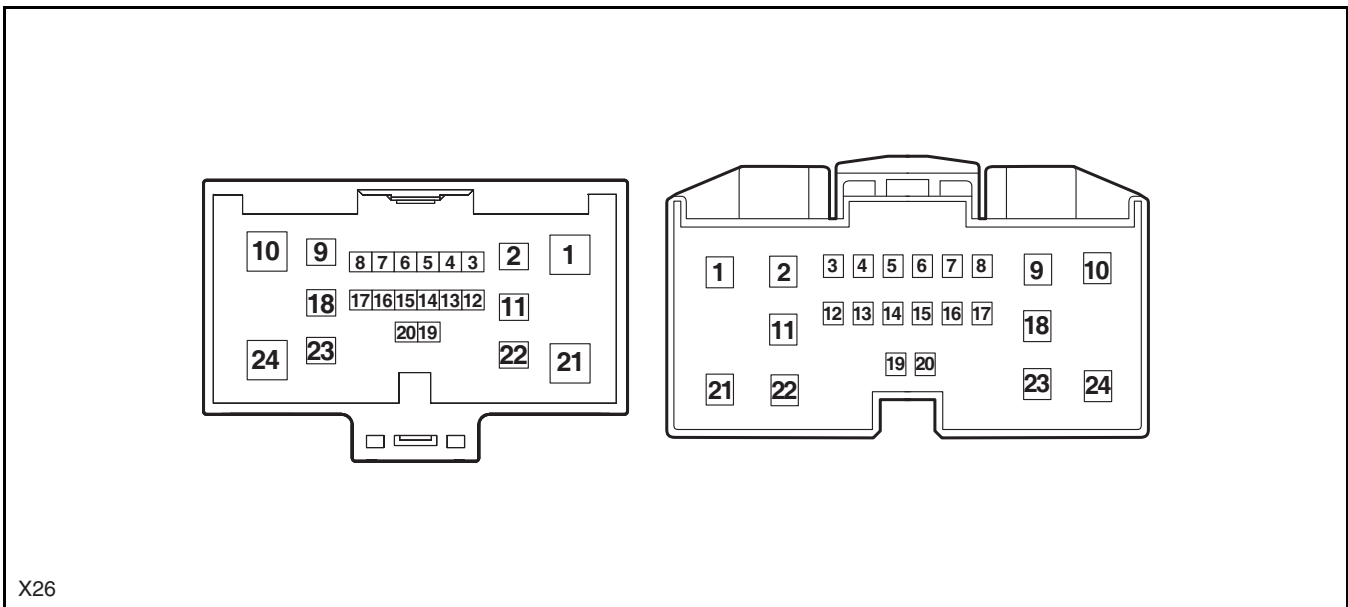
Instrument Panel Wiring Harness to Engine
Compartment Wiring Harness (Right 1)

Engine Compartment Wiring Harness to Instrument
Panel Wiring Harness (Right 1)



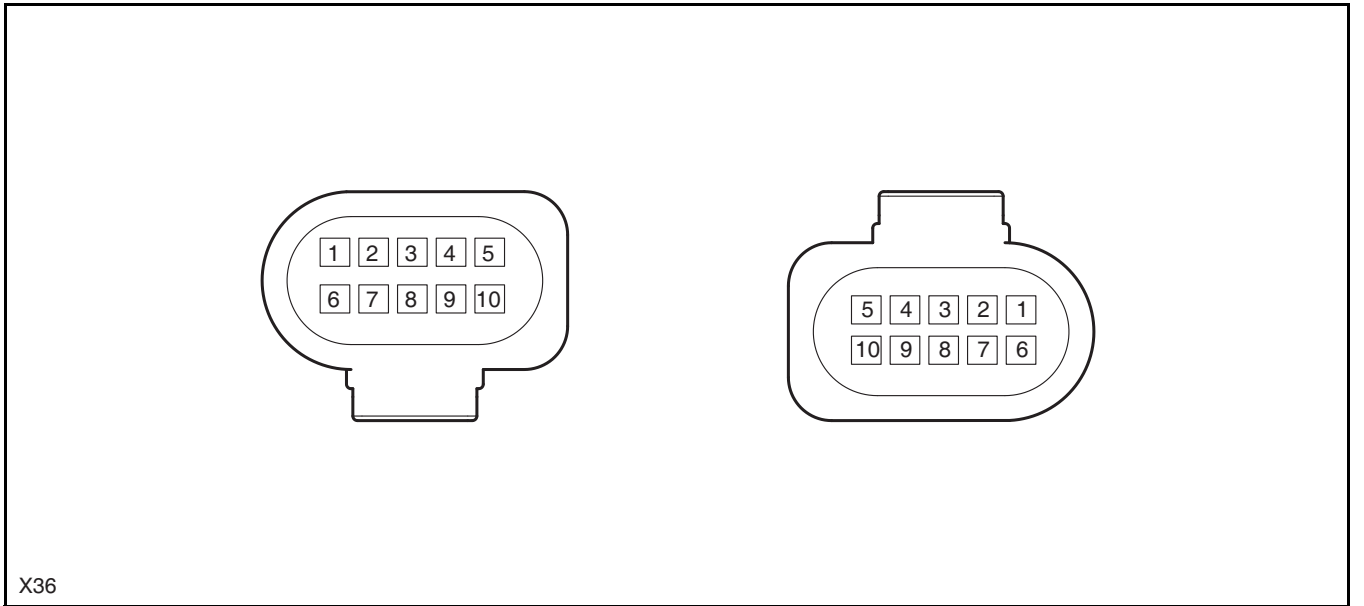
Chassis Wiring Harness to Engine Compartment
Wiring Harness (Left 1)

Engine Compartment Wiring Harness to Chassis
Wiring Harness (Left 1)



Engine Wiring Harness to Fuel Injector Wiring Harness

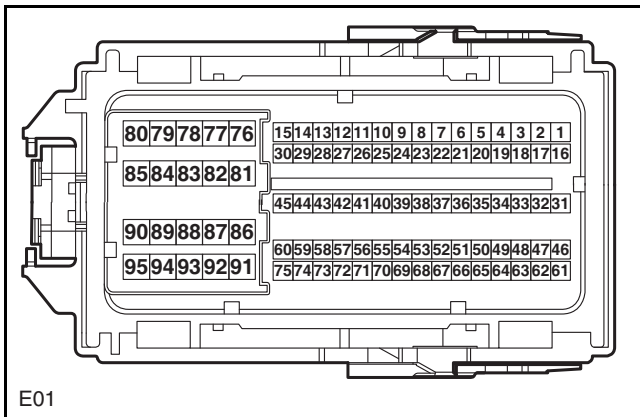
Fuel Injector Wiring Harness to Engine Wiring Harness



X36

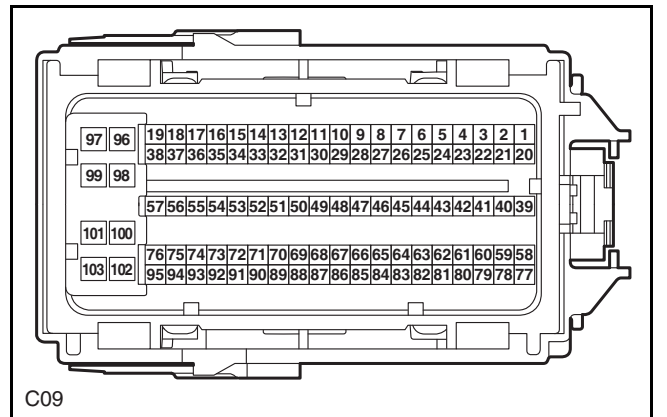
ECU-A

ECU-B



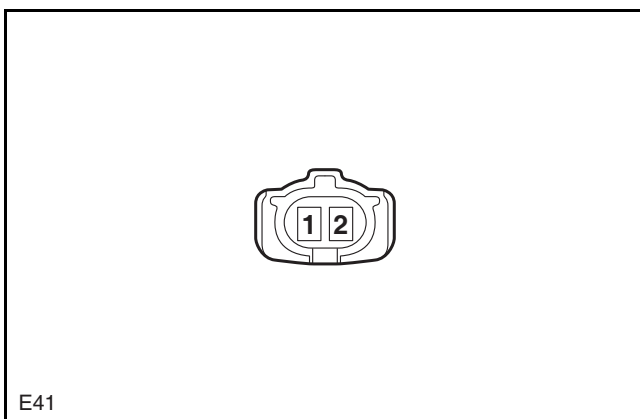
E01

Fuel Injector 1

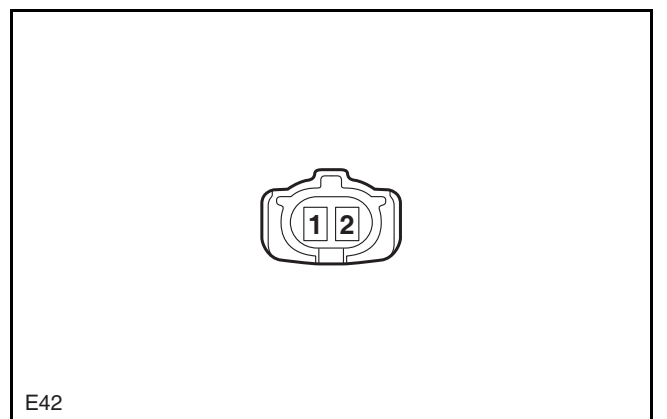


C09

Fuel Injector 2

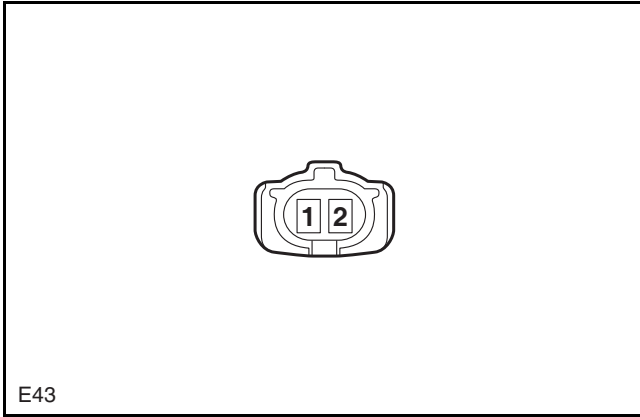


E41

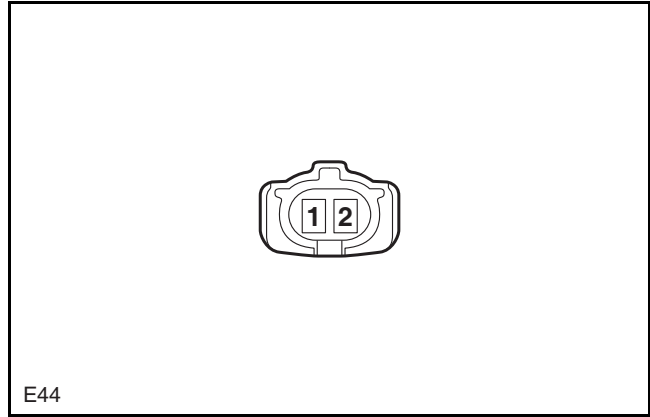


E42

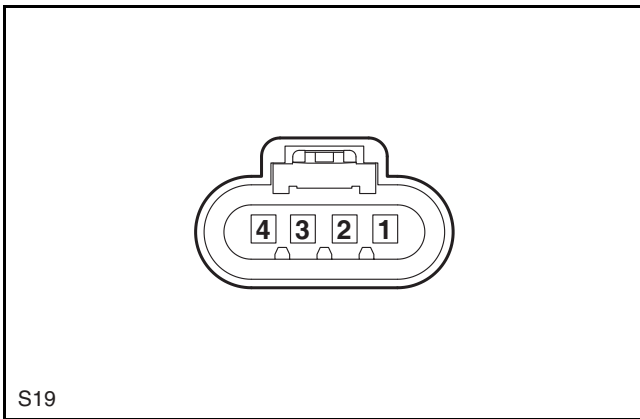
Fuel Injector 3



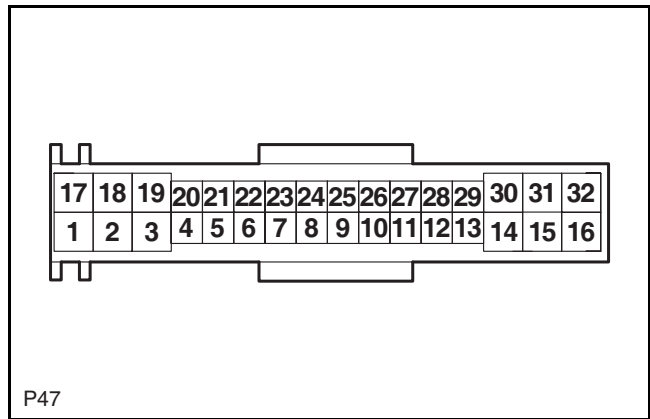
Fuel Injector 4



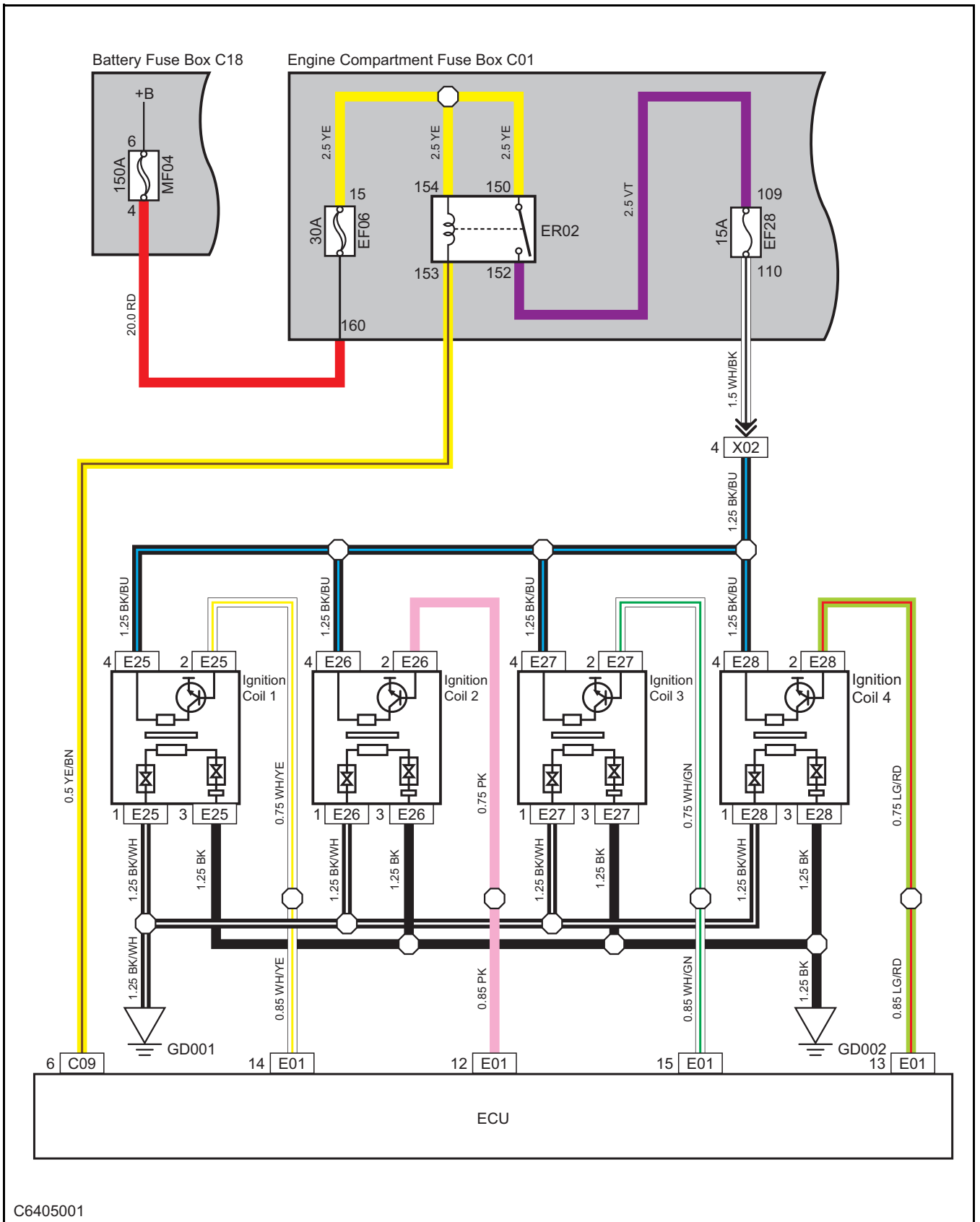
Fuel Pump



IBCM-J2

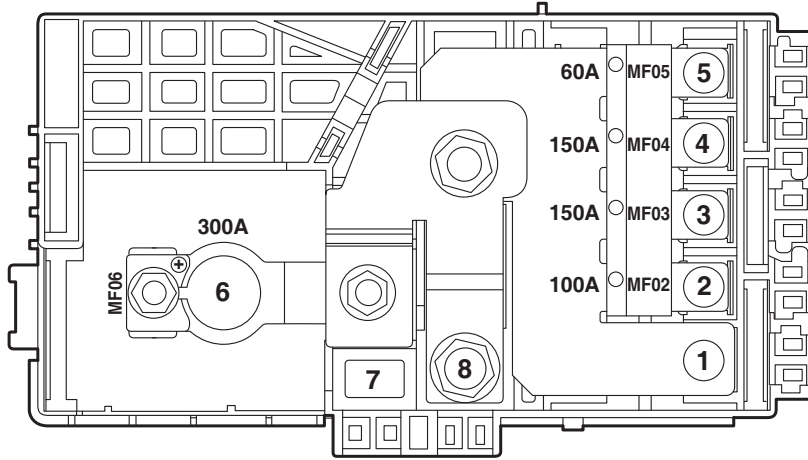


Ignition System



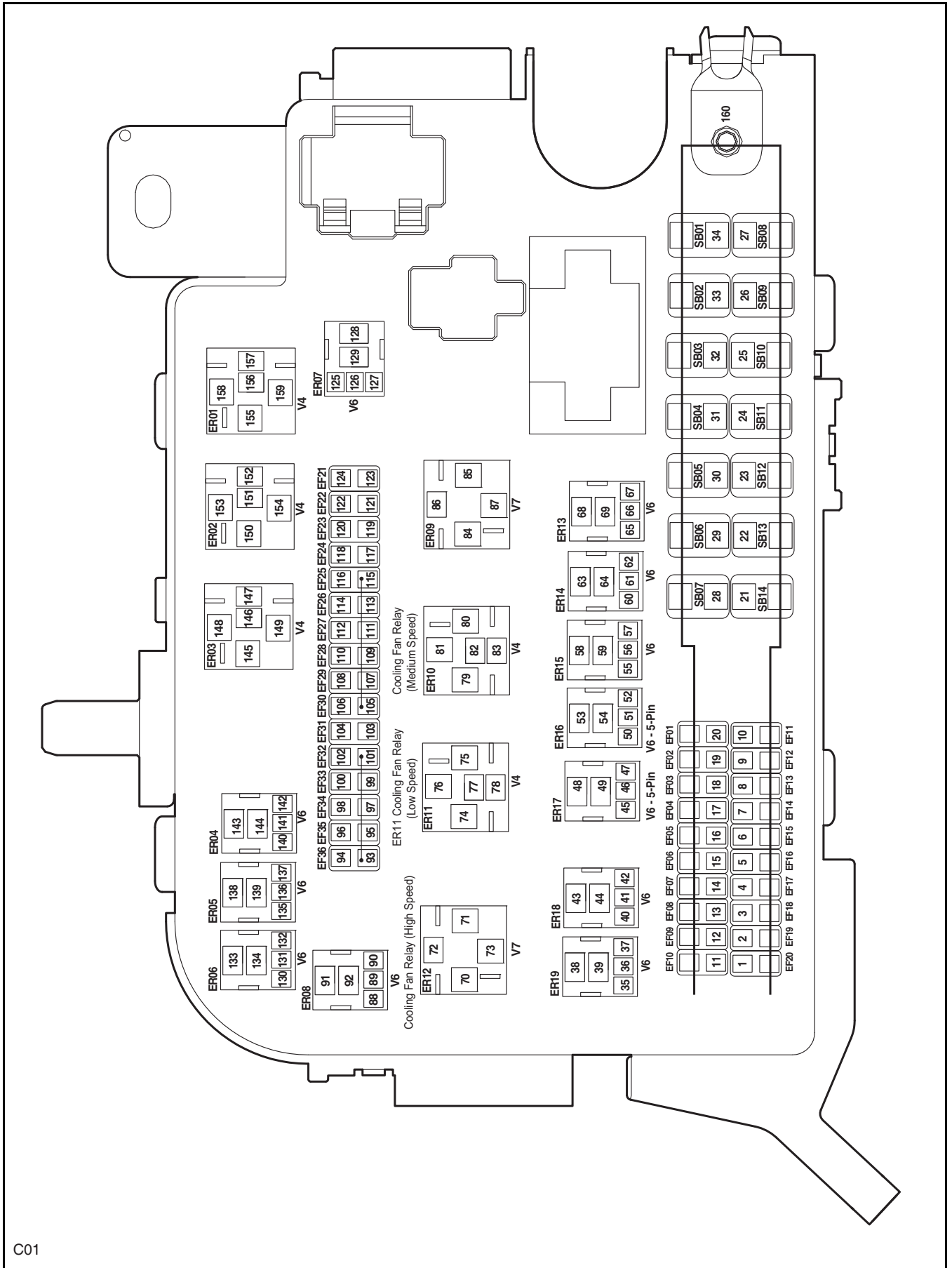
C6405001

Battery Fuse Box



C18

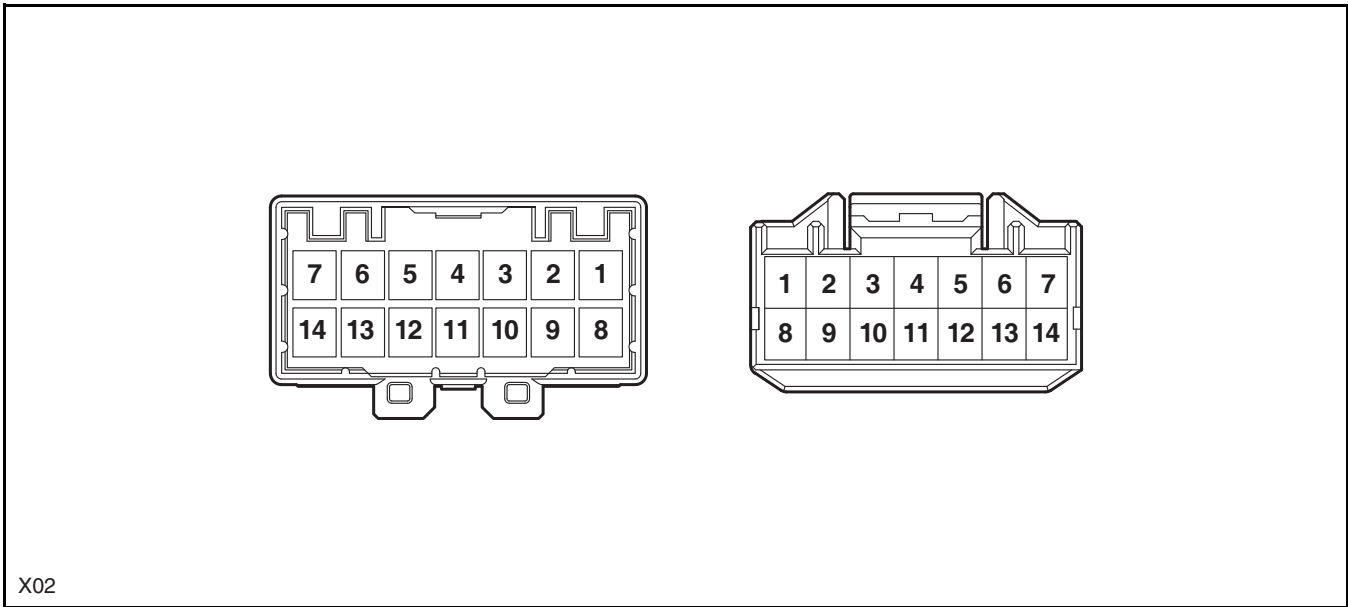
Engine Compartment Fuse Box



C01

Engine Compartment Wiring Harness to Engine Wiring Harness 2

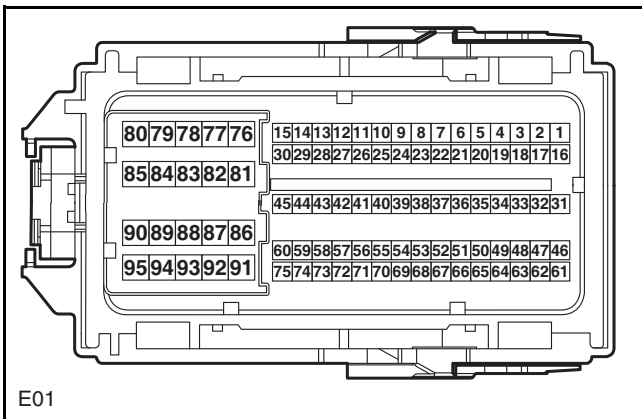
Engine Wiring Harness 2 to Engine Compartment Wiring Harness



X02

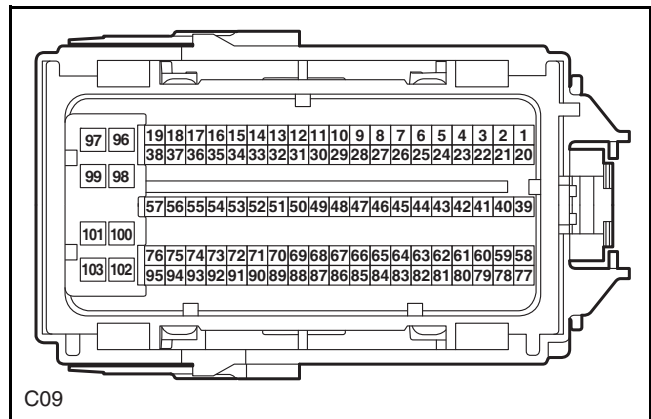
ECU-A

ECU-B



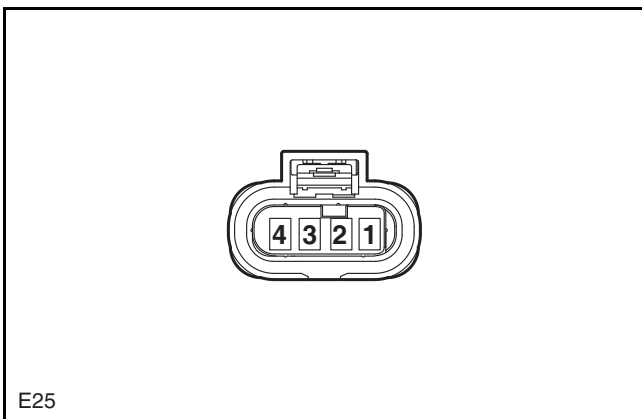
E01

Ignition Coil 1

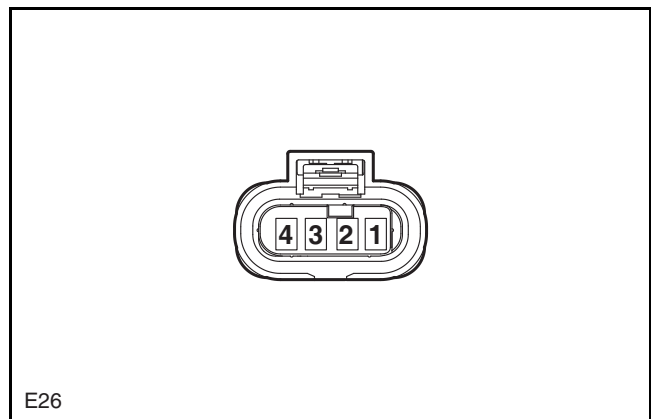


C09

Ignition Coil 2



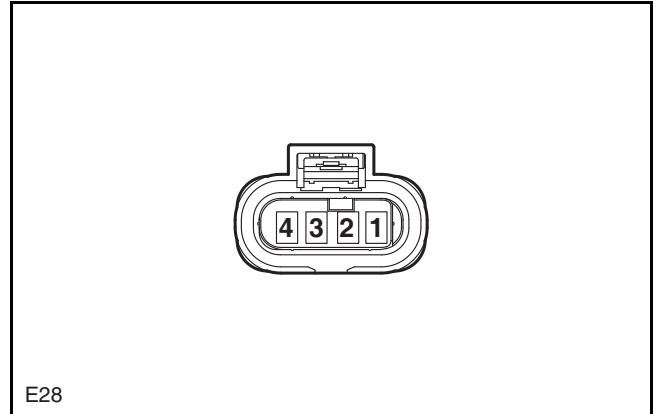
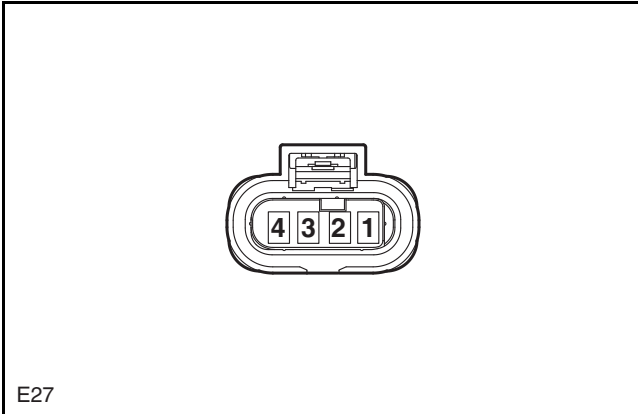
E25



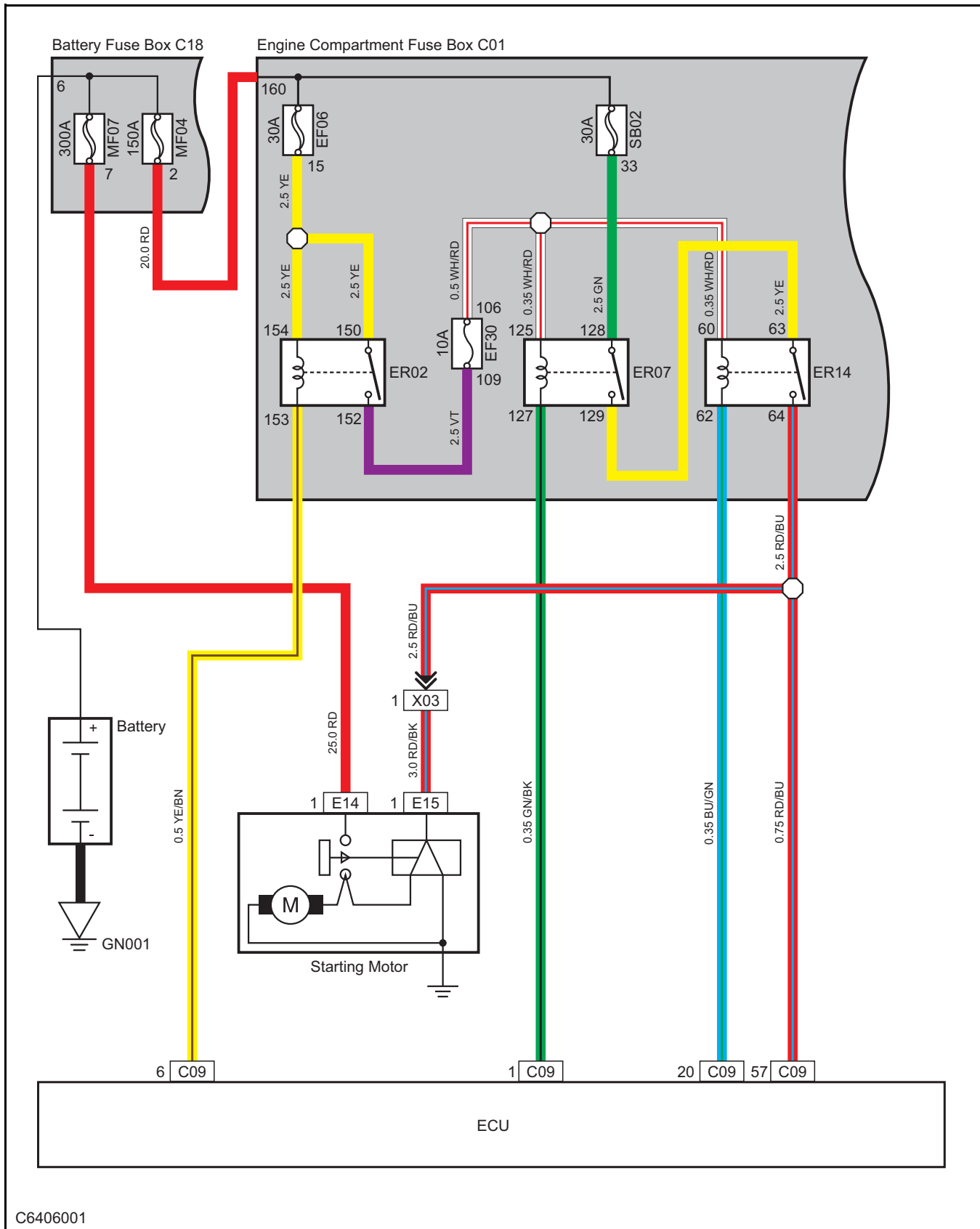
E26

Ignition Coil 3

Ignition Coil 4

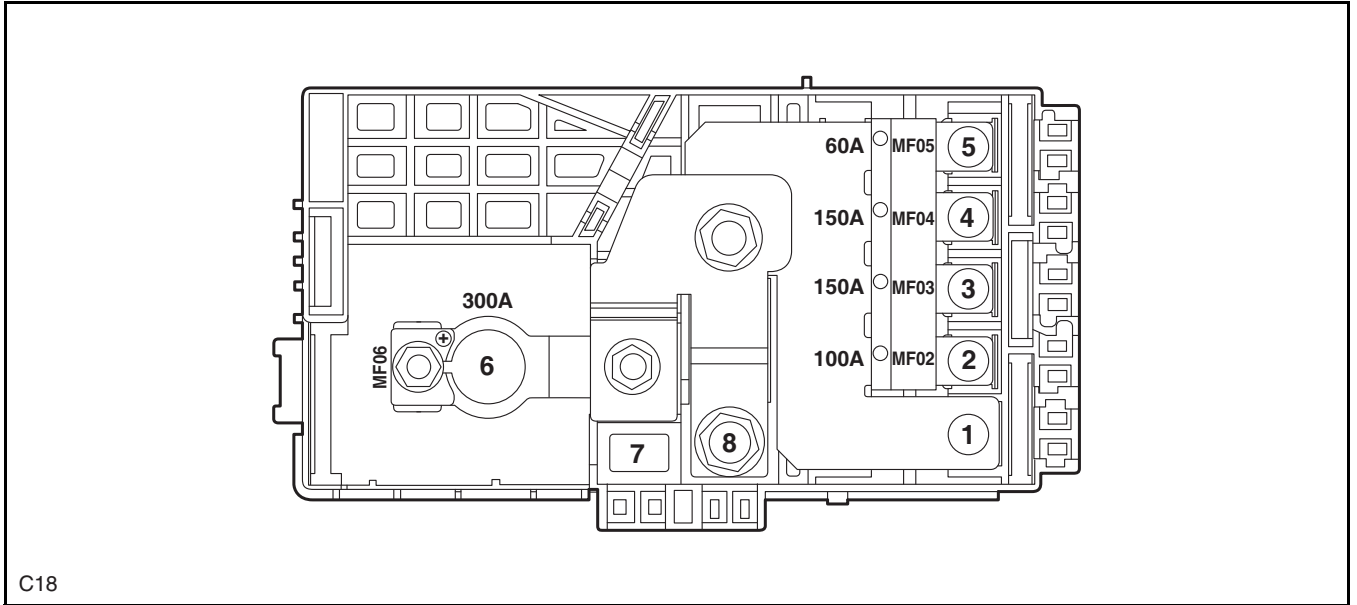


Starting System



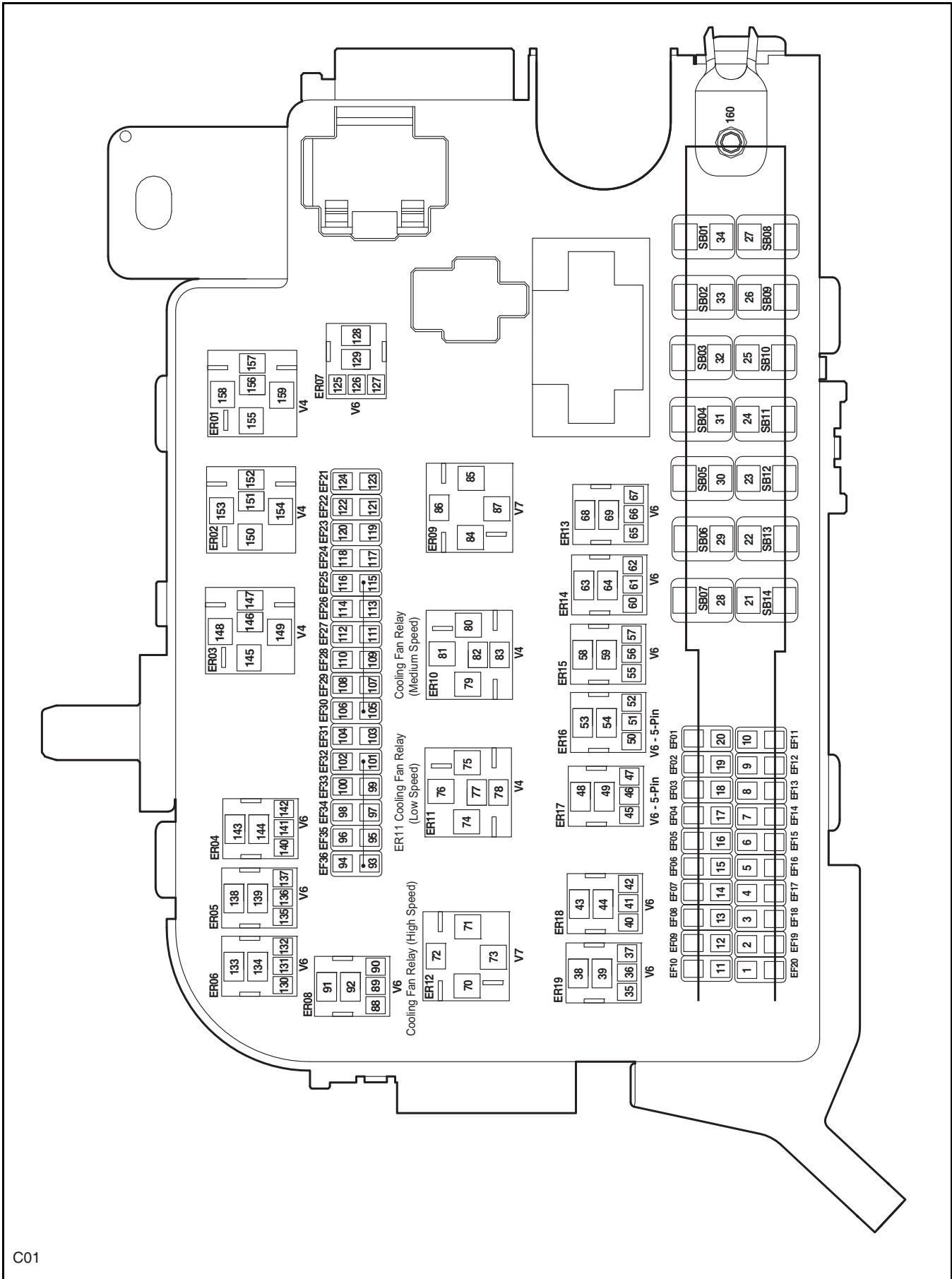
C6406001

Battery Fuse Box



C18

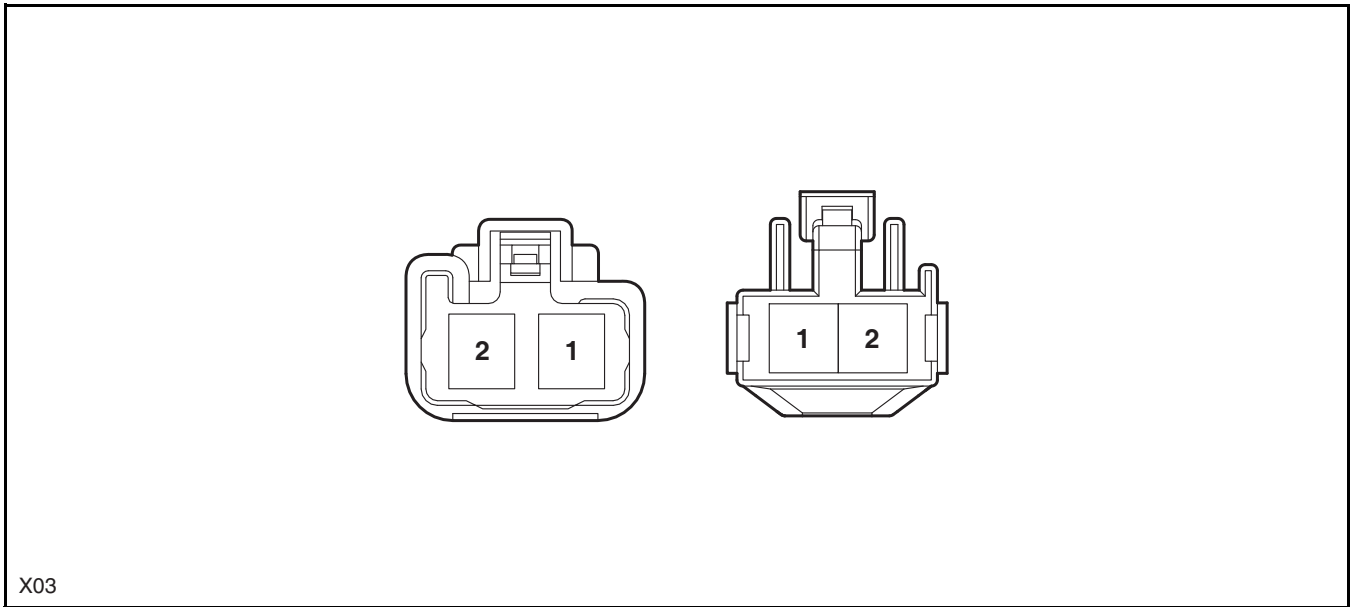
Engine Compartment Fuse Box



C01

Engine Compartment Wiring Harness to Engine Wiring
Harness 3

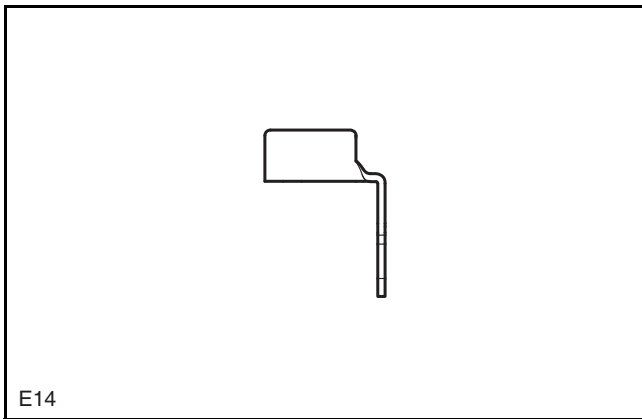
Engine Wiring Harness 3 to Engine Compartment
Wiring Harness



X03

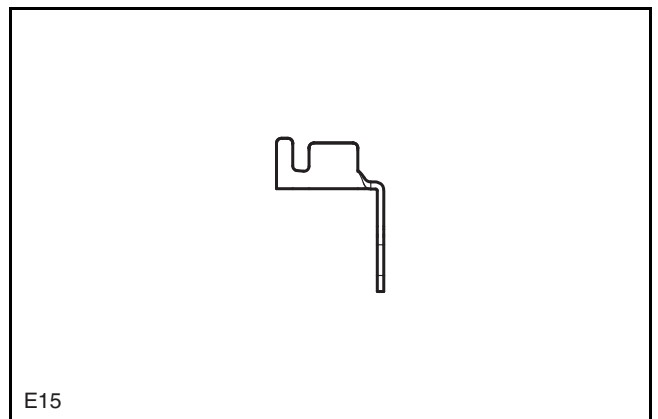
Starting Motor

Starting Motor Clutch

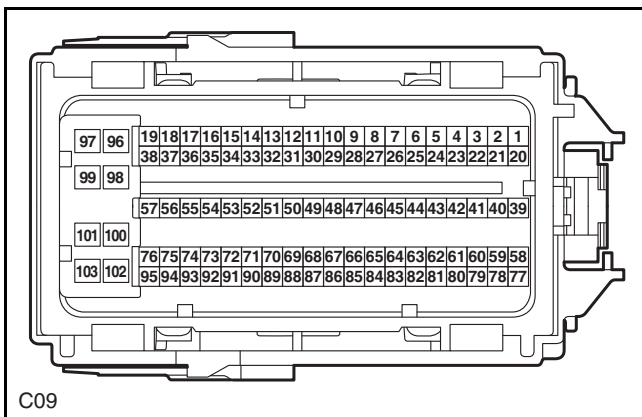


E14

ECU-B

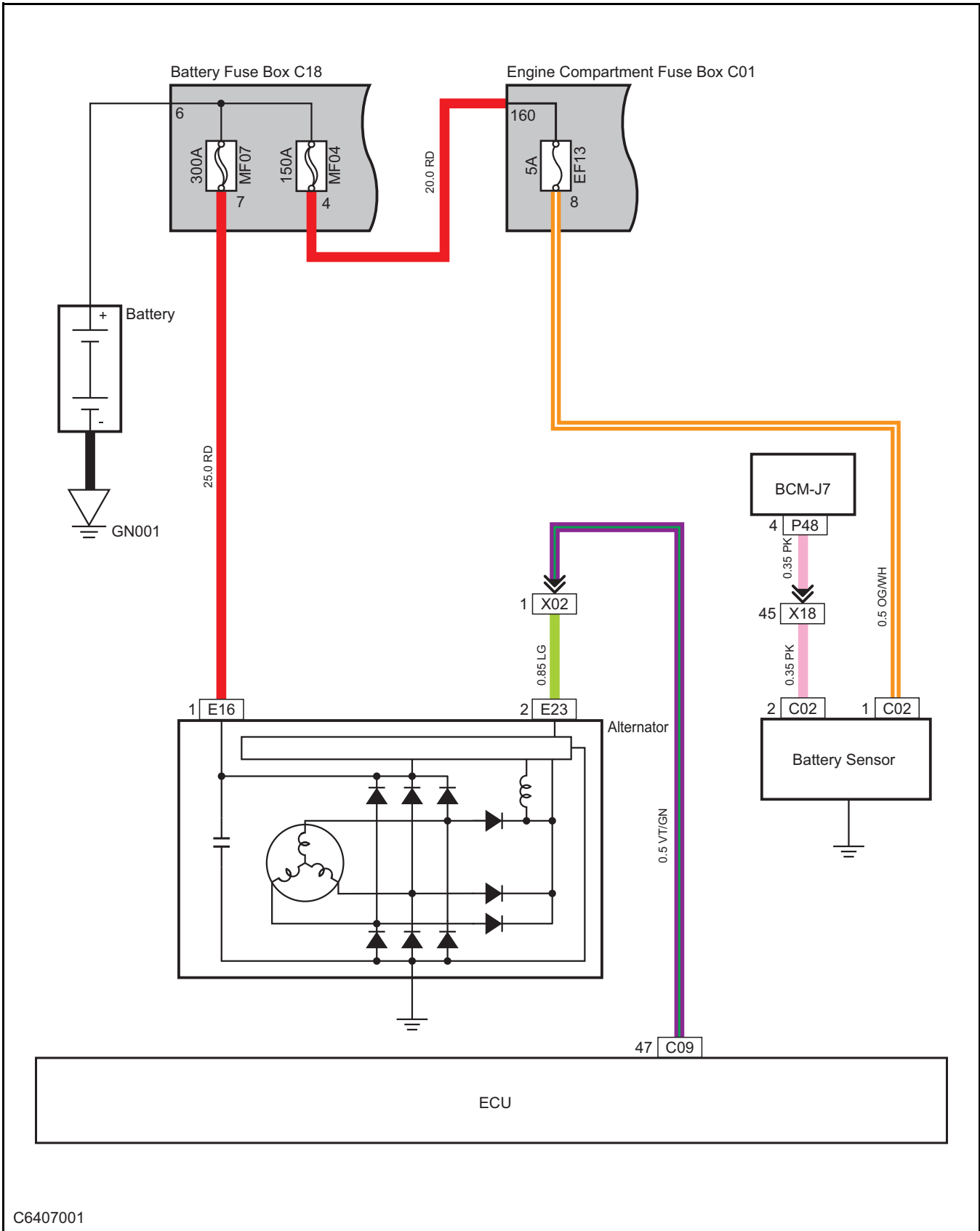


E15



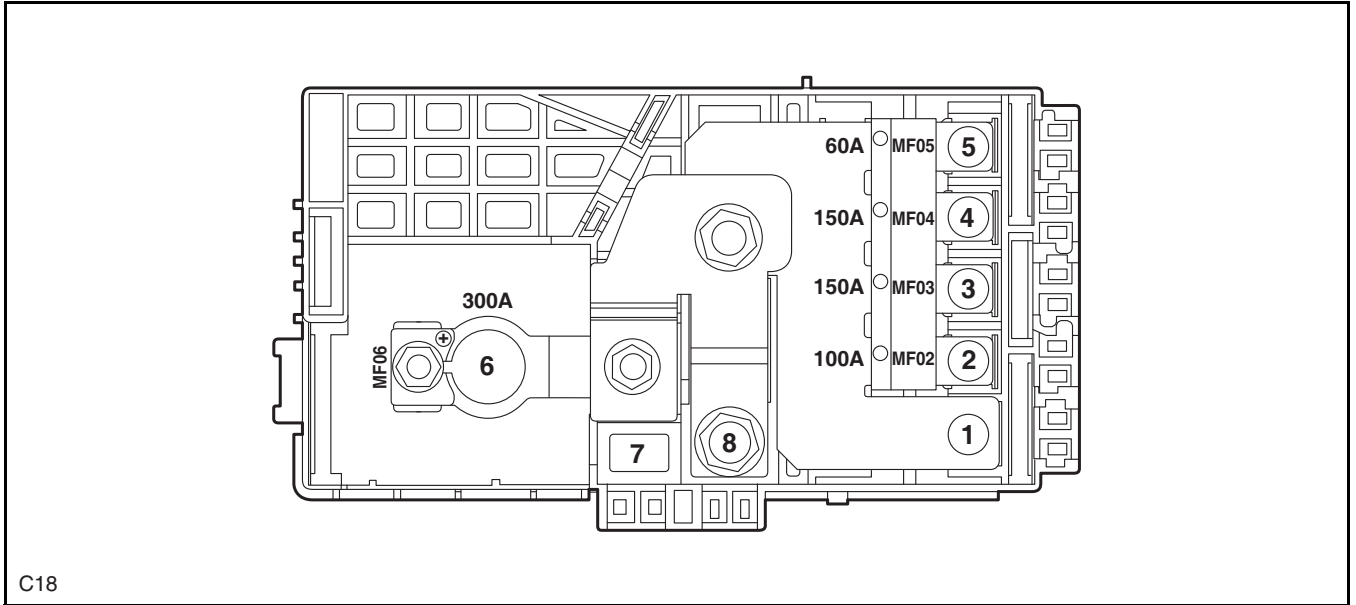
C09

Charging System



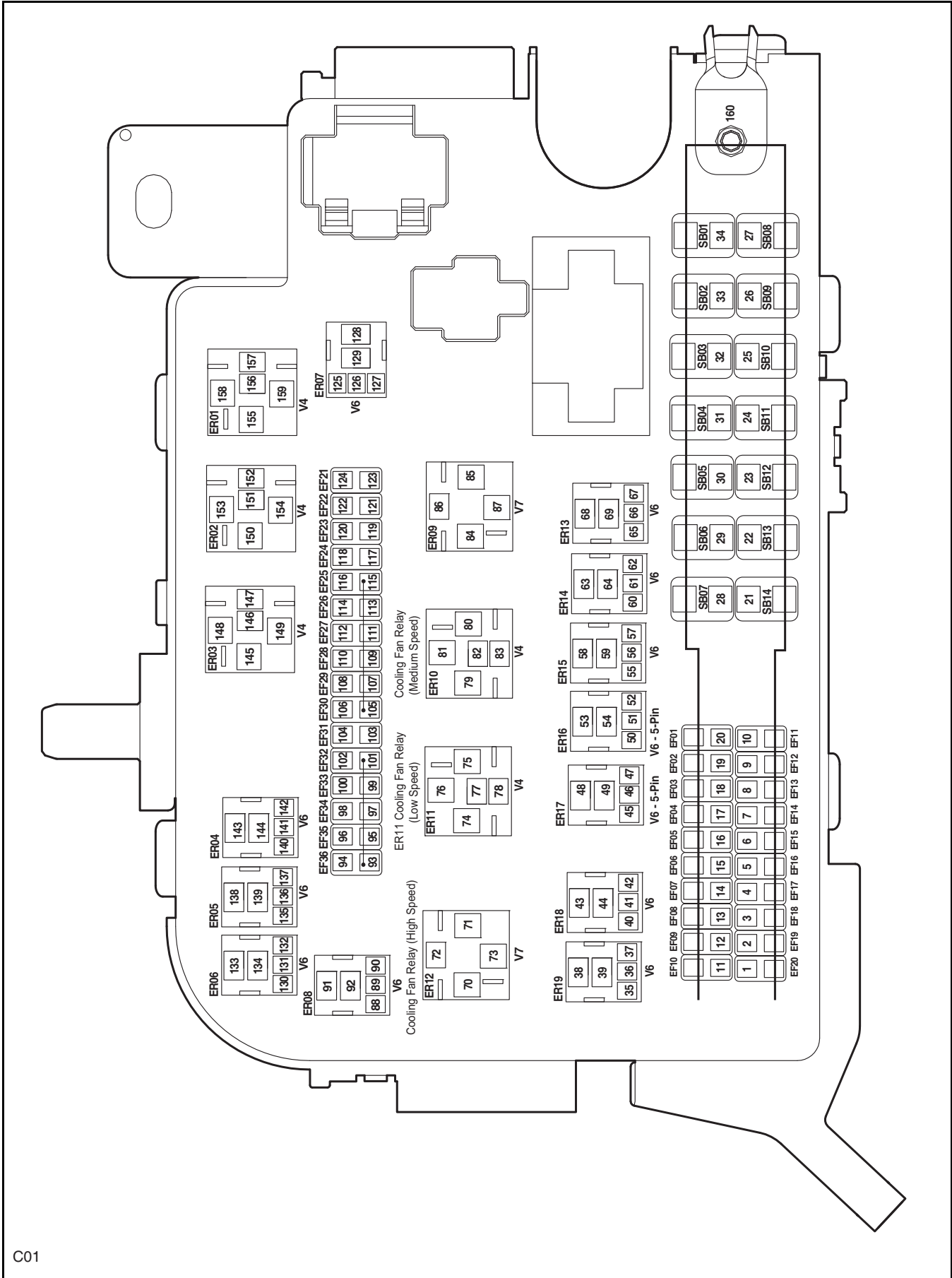
C6407001

Battery Fuse Box



C18

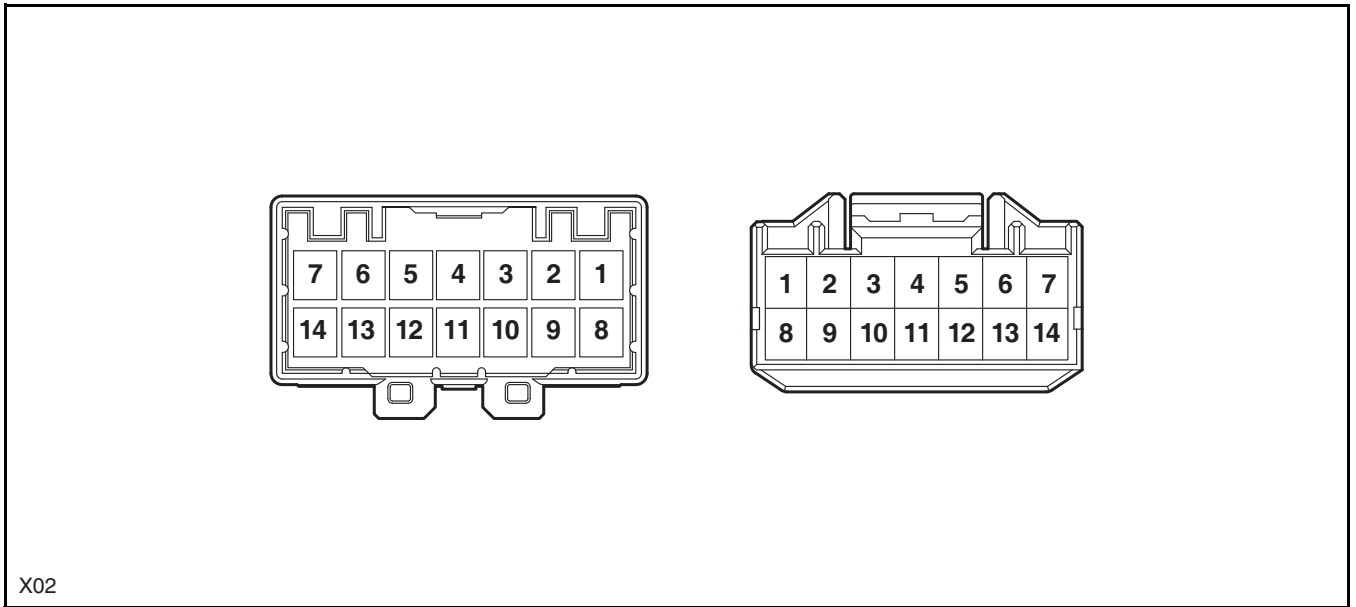
Engine Compartment Fuse Box



C01

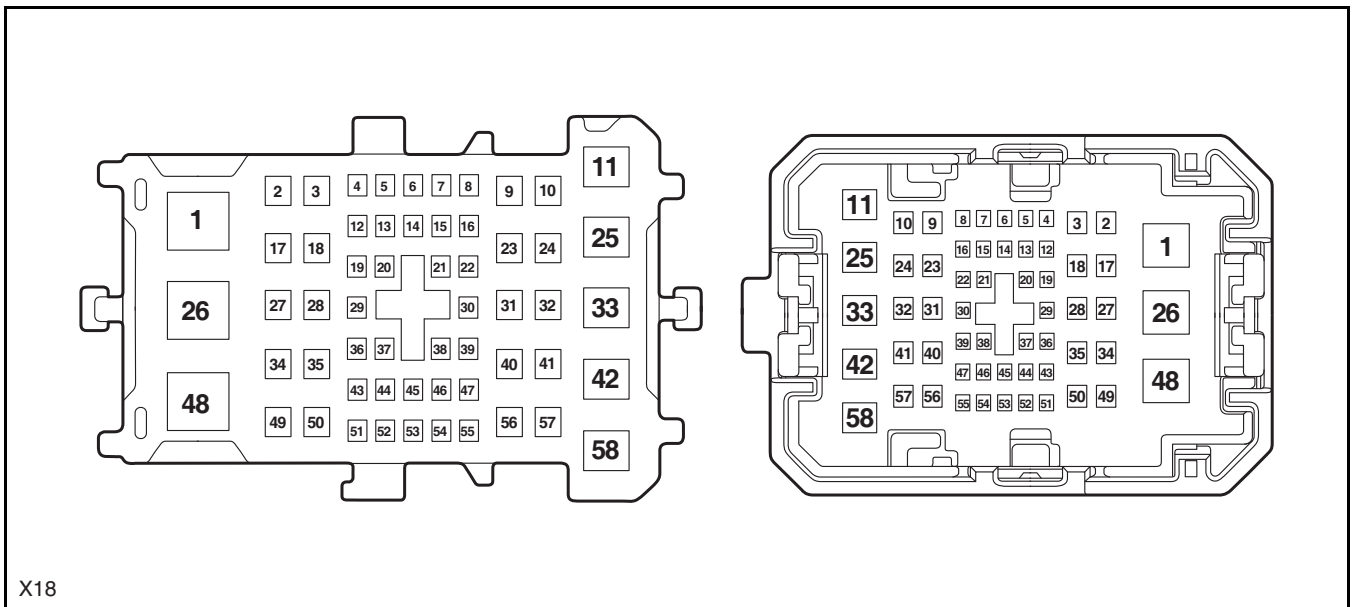
Engine Compartment Wiring Harness to Engine Wiring Harness 2

Engine Wiring Harness 2 to Engine Compartment Wiring Harness



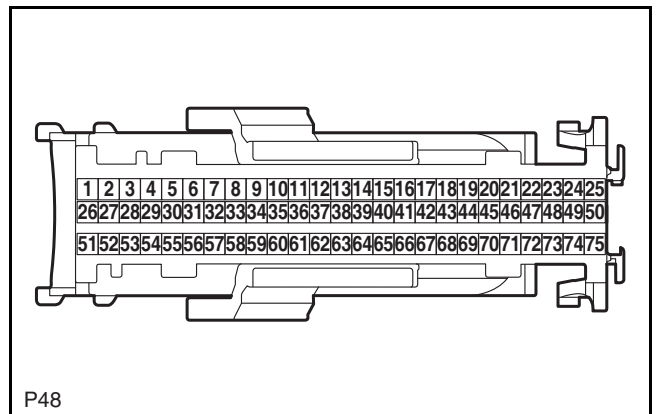
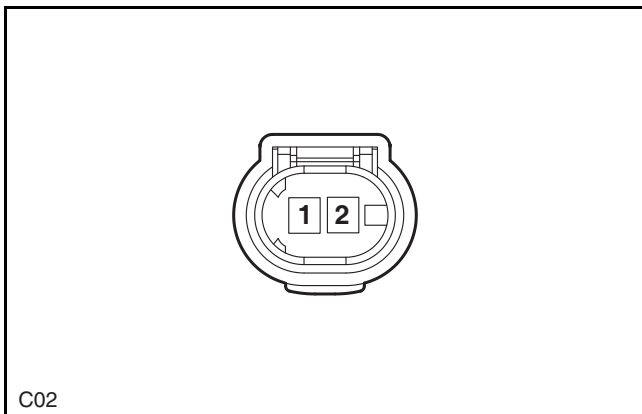
Instrument Panel Wiring Harness to Engine Compartment Wiring Harness (Right 1)

Engine Compartment Wiring Harness to Instrument Panel Wiring Harness (Right 1)

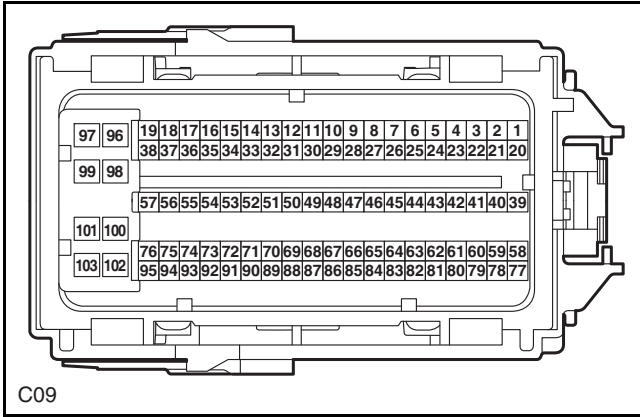


Battery Sensor

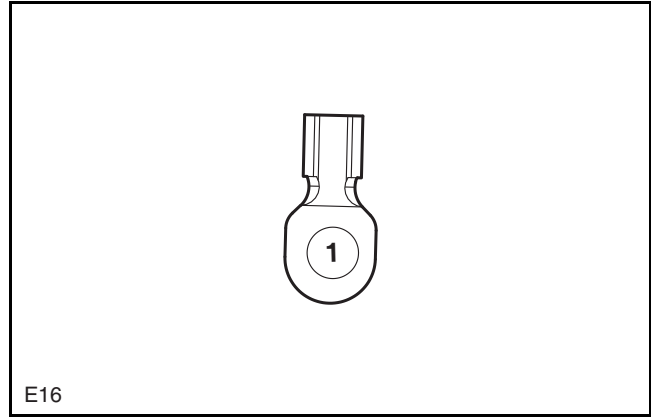
IBCM-J7



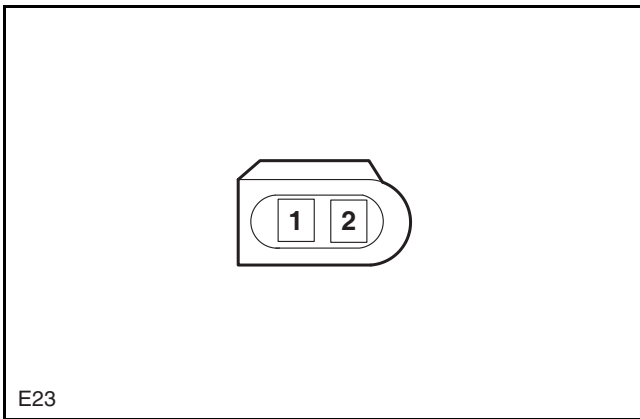
ECU-B



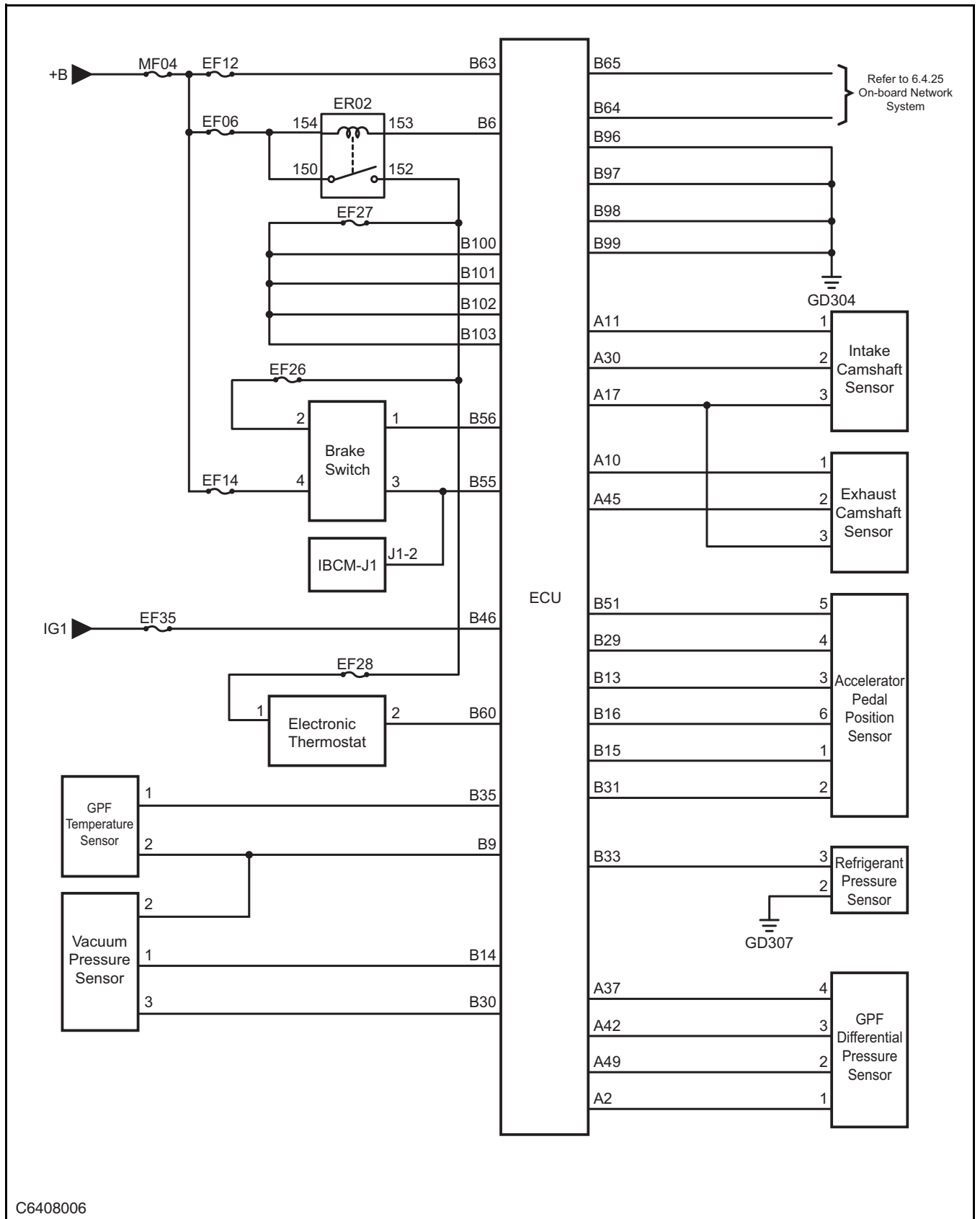
Alternator 1



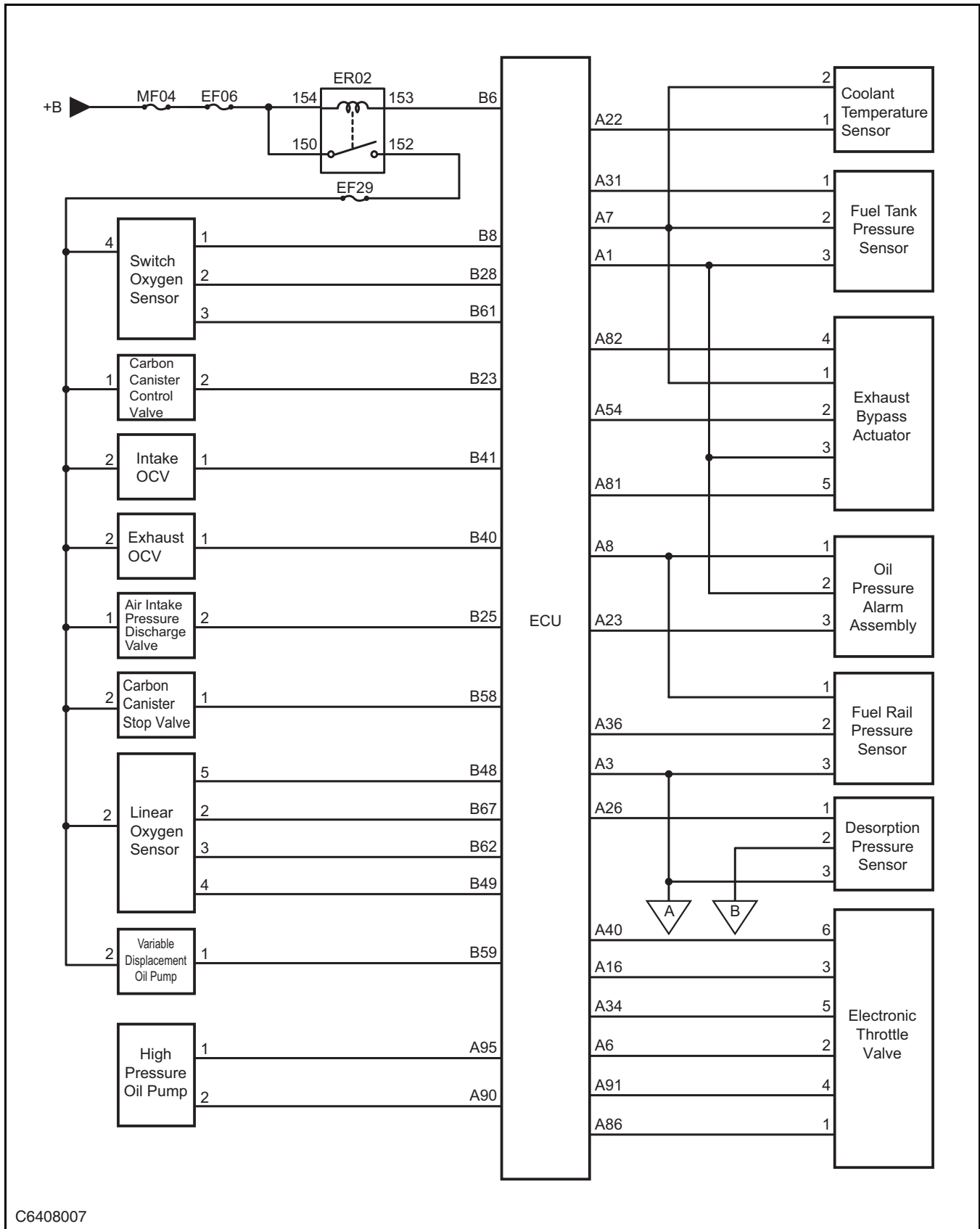
Alternator 2

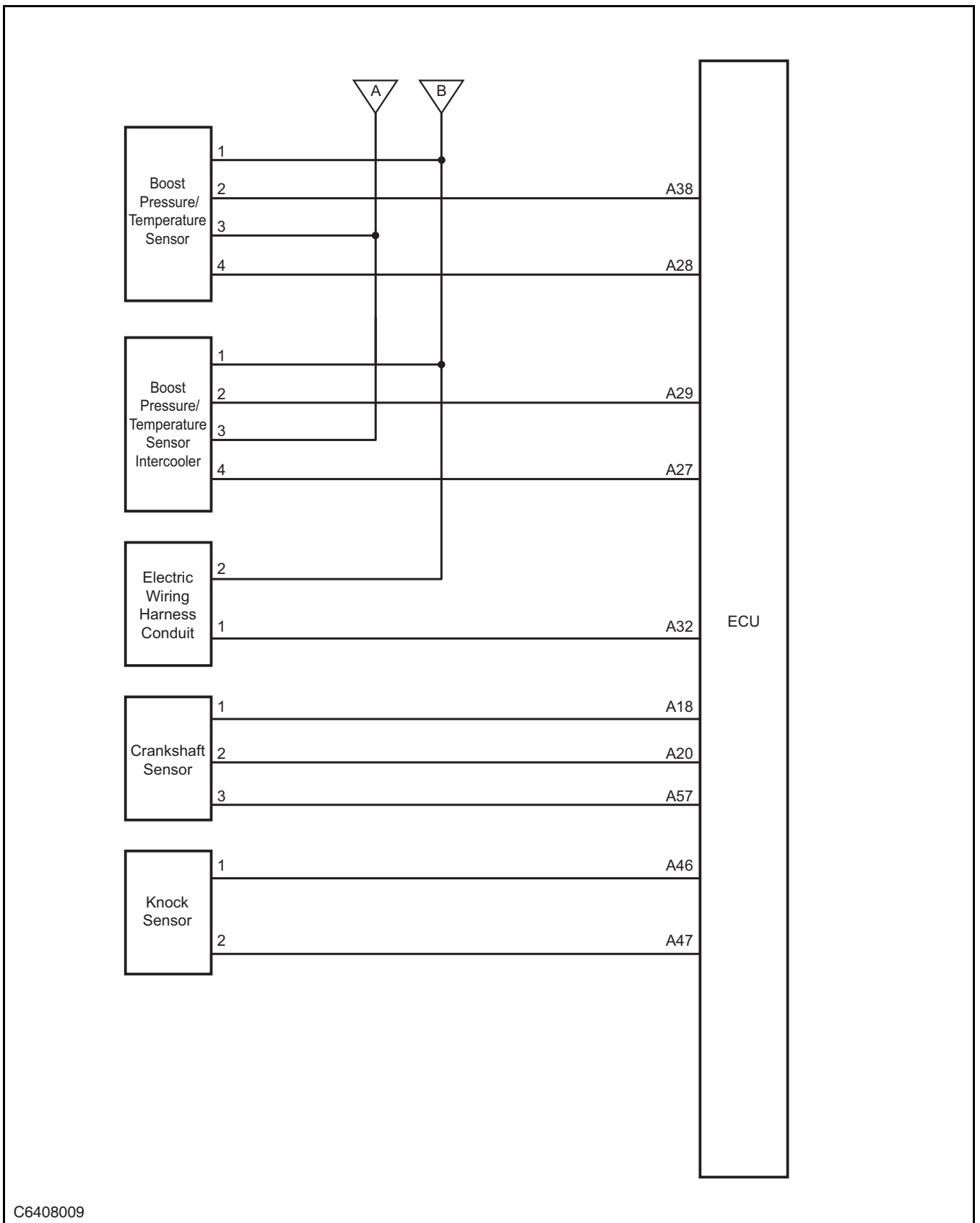


Electronic Control System



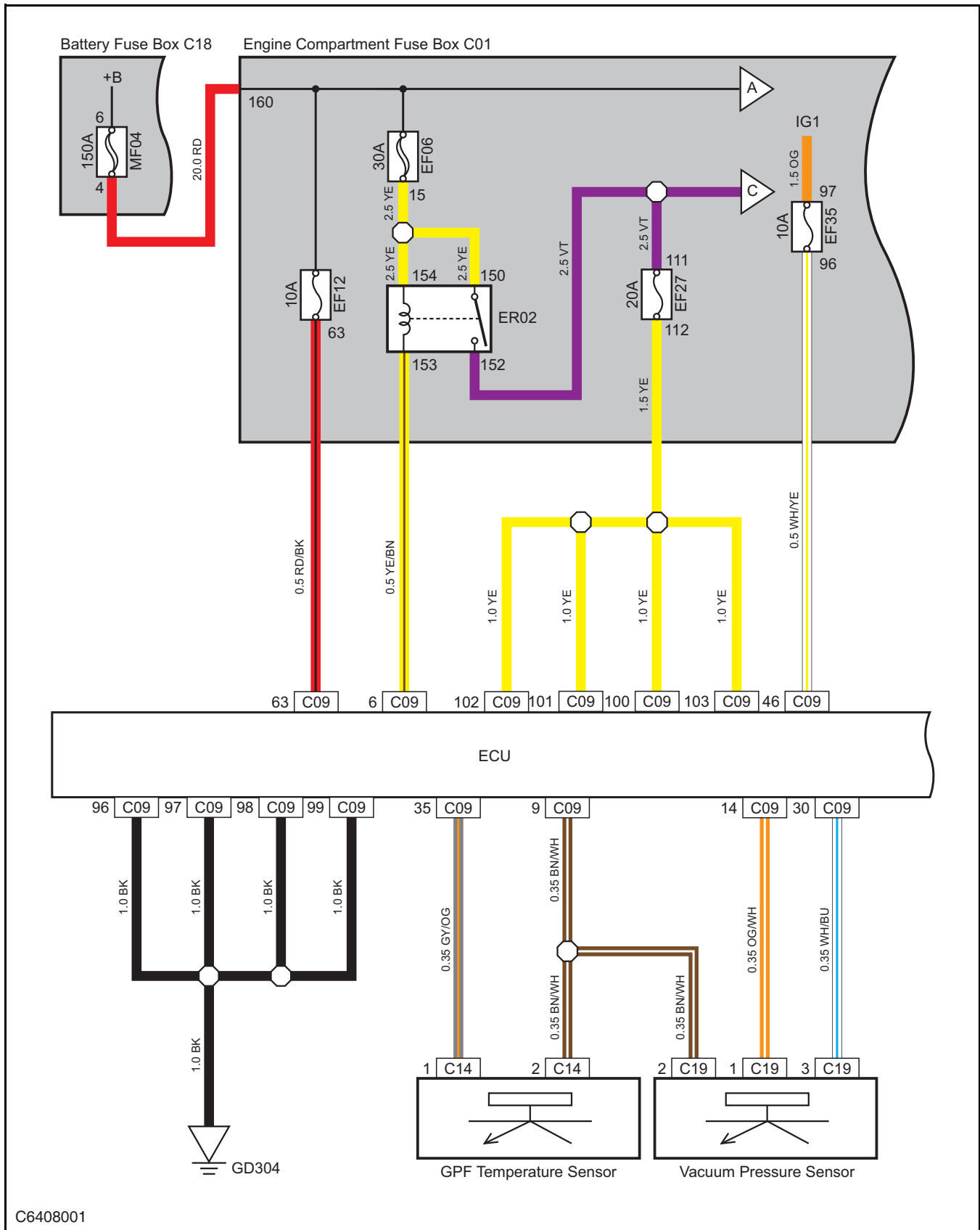
C6408006



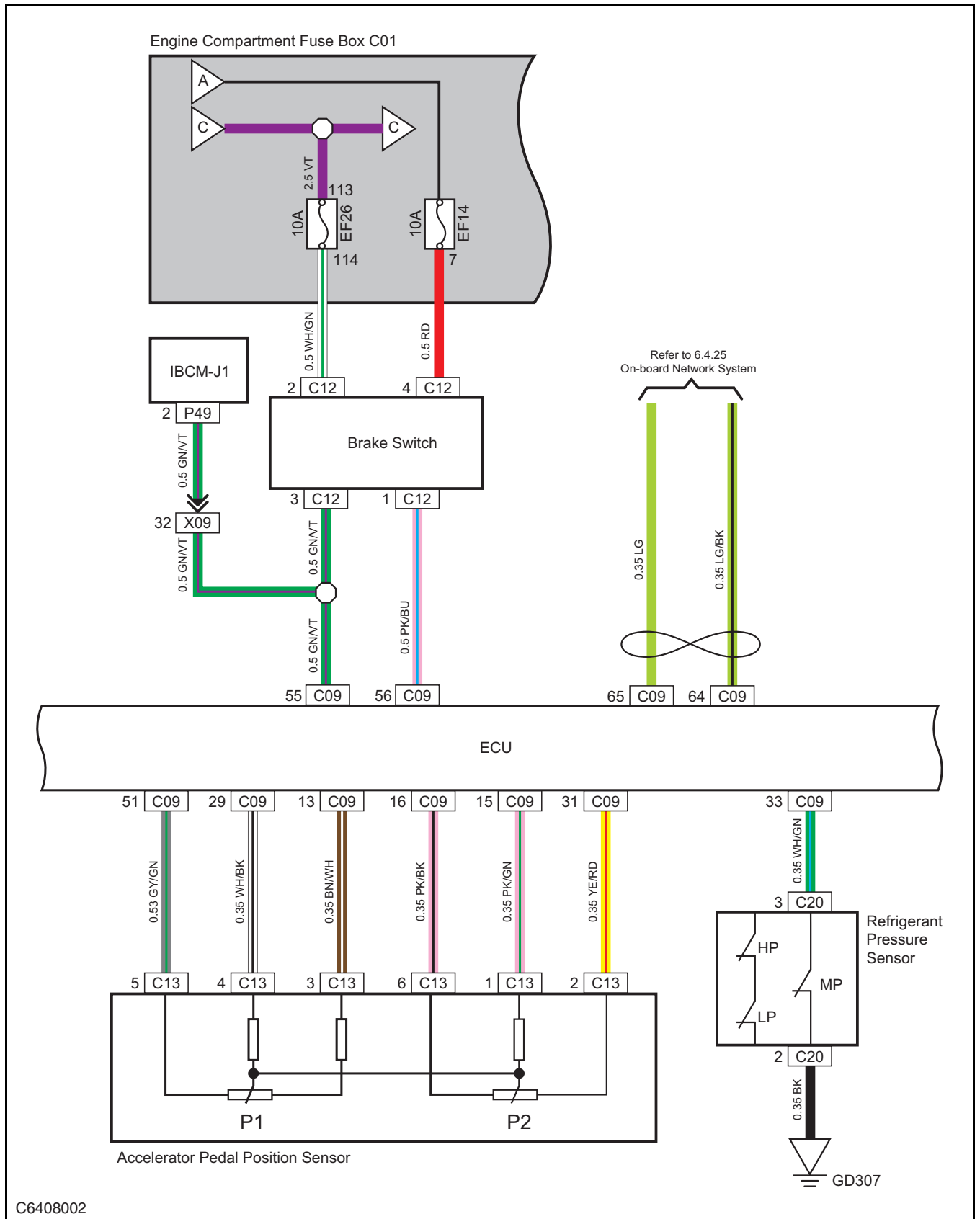


C6408009

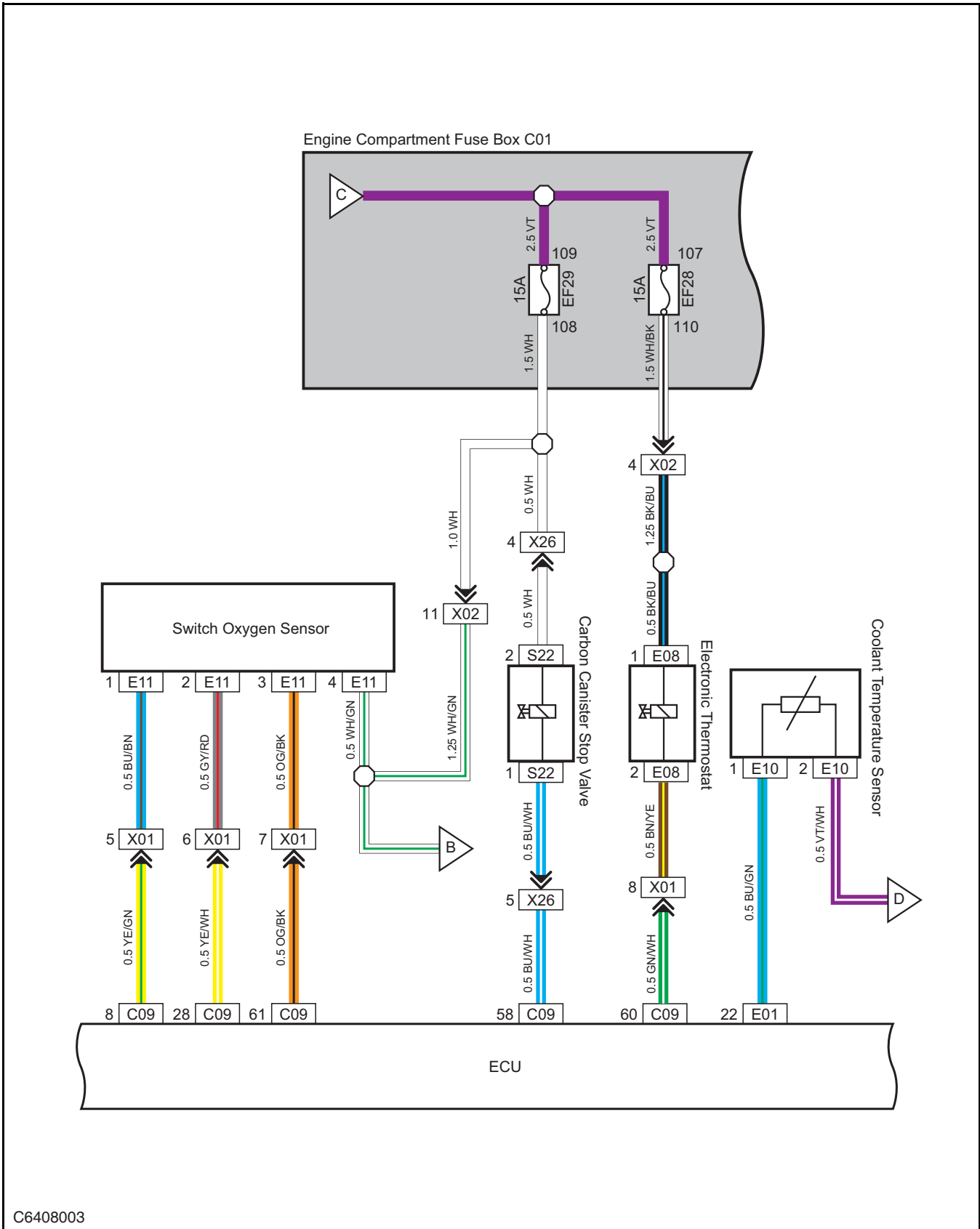
Power Supply/GPF Temperature Sensor/Vacuum Pressure Sensor



Brake Switch/Accelerator Pedal Sensor/Refrigerant Pressure Sensor

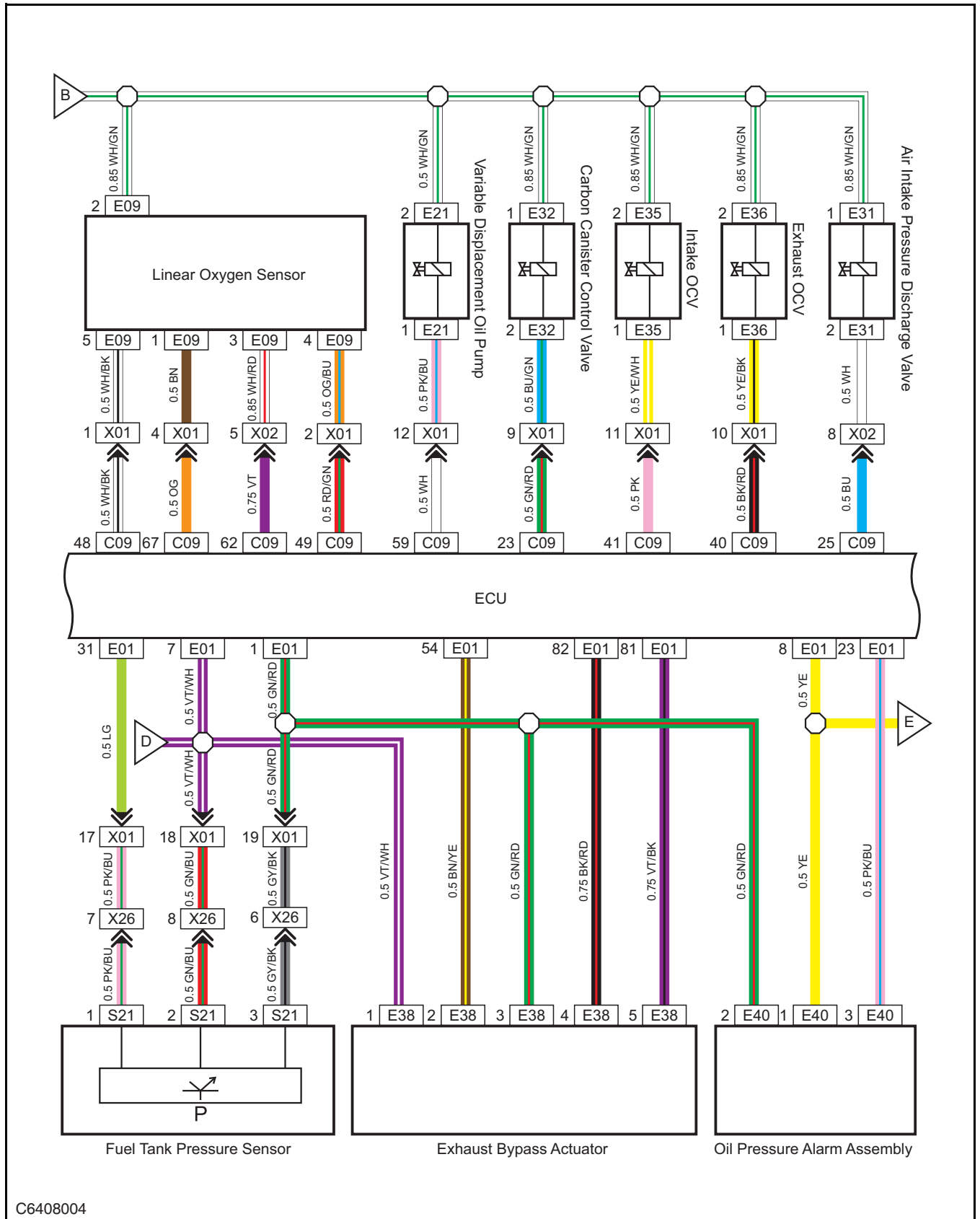


Switch Oxygen Sensor/Carbon Canister Stop Valve/Electronic Thermostat/
Coolant Temperature Sensor



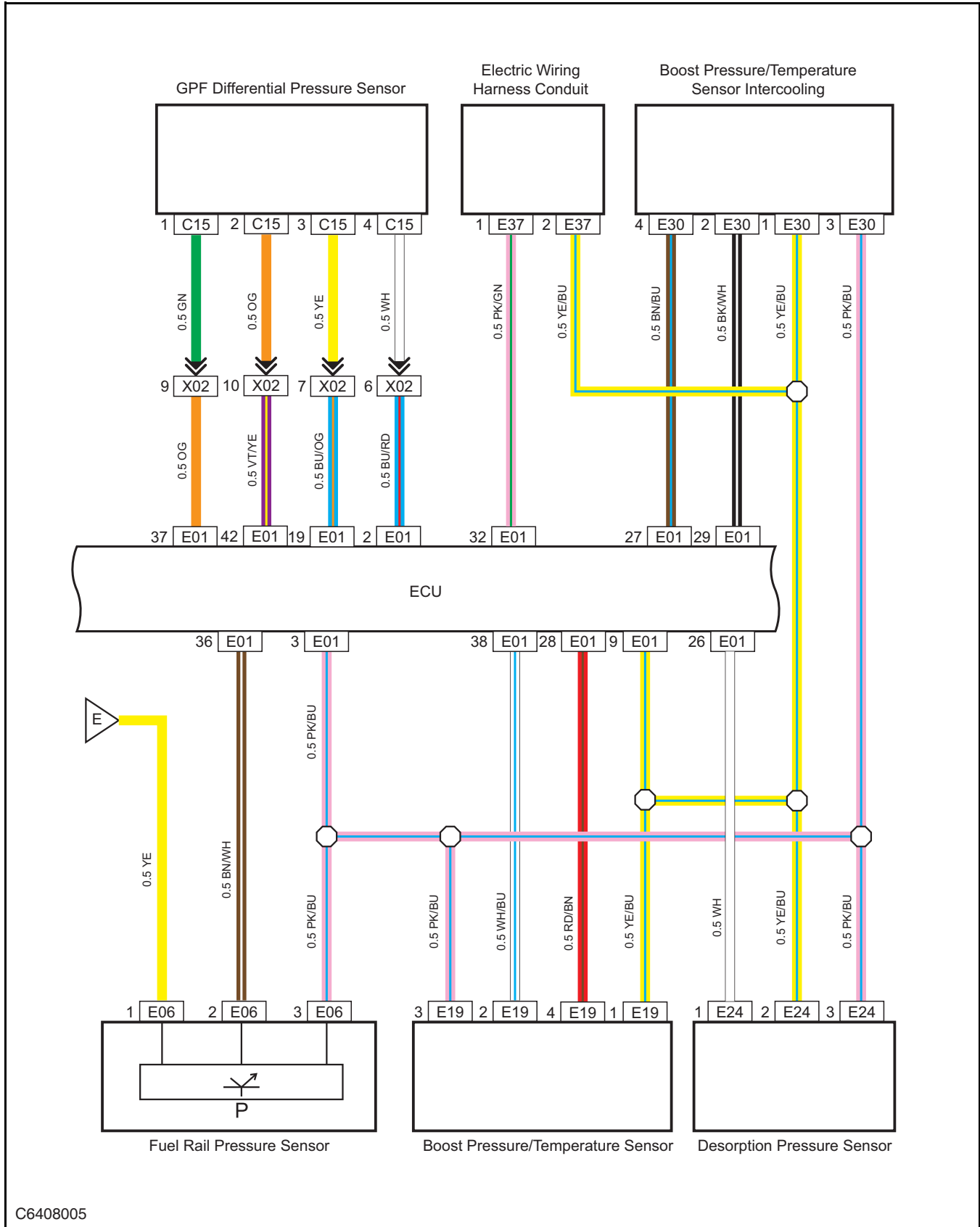
C6408003

Linear Oxygen Sensor/Variable Displacement Oil Pump/Carbon Canister Control Valve/Intake OCV Control Valve/Exhaust OCV Control Valve/Air Intake Pressure Discharge Valve/Fuel Tank Pressure Sensor/Exhaust Bypass Actuator/Oil Pressure Alarm Assembly



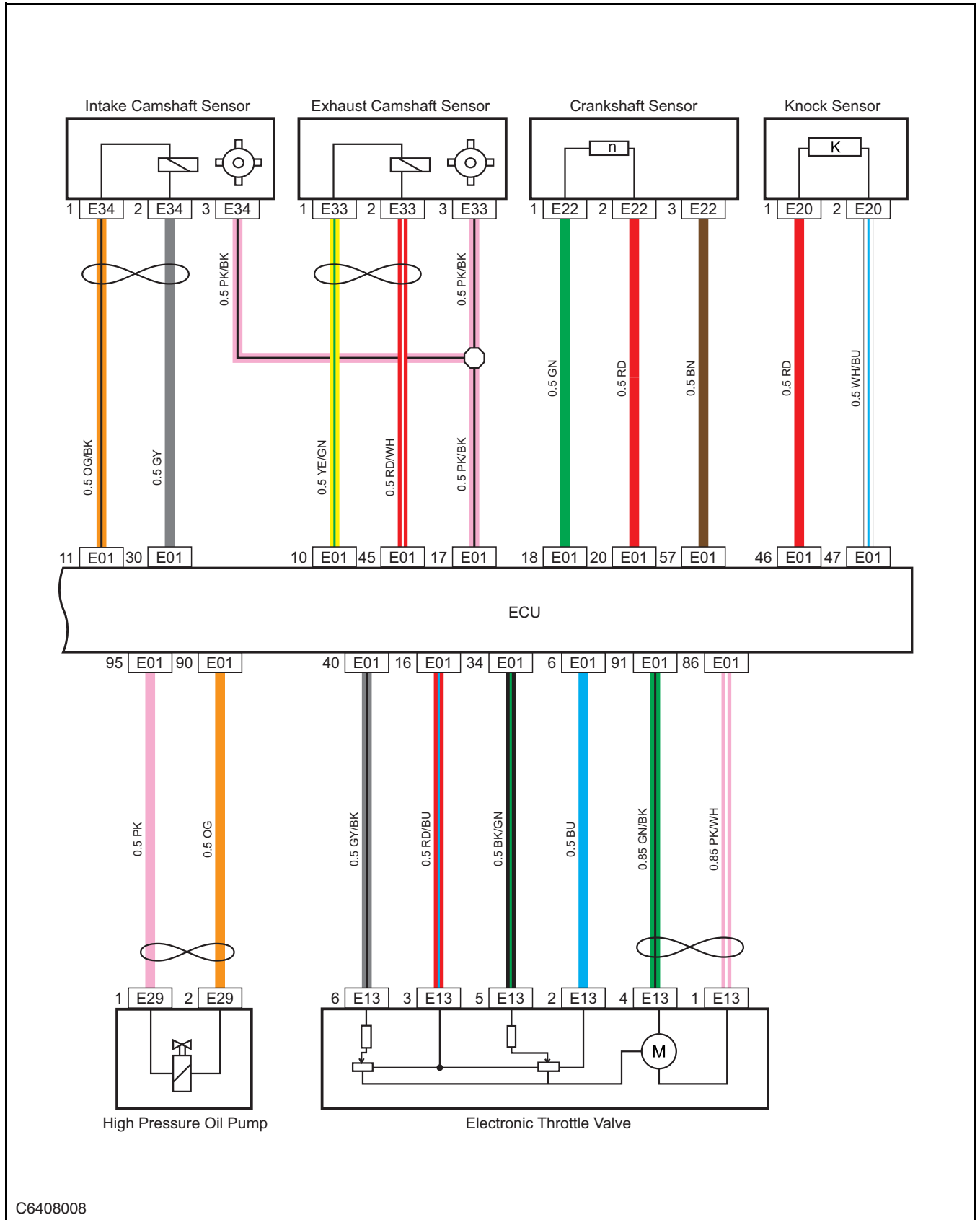
C6408004

GPF Differential Pressure Sensor/Electric Conduit/Boost Pressure/Temperature Sensor Intercooler/Fuel Rail Pressure Sensor/Boost Pressure/Temperature Sensor/Desorption Pressure Sensor



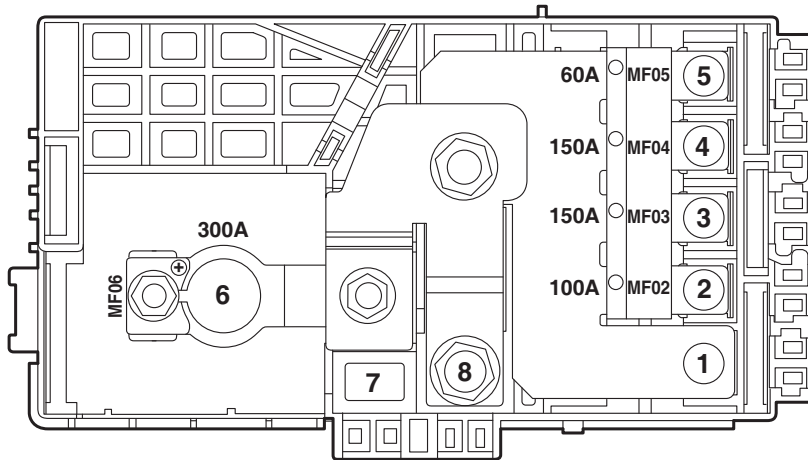
C6408005

Intake Camshaft Sensor/Exhaust Camshaft Sensor/Crankshaft Sensor/
Knock Sensor/High Pressure Oil Pump/Electronic Throttle Valve



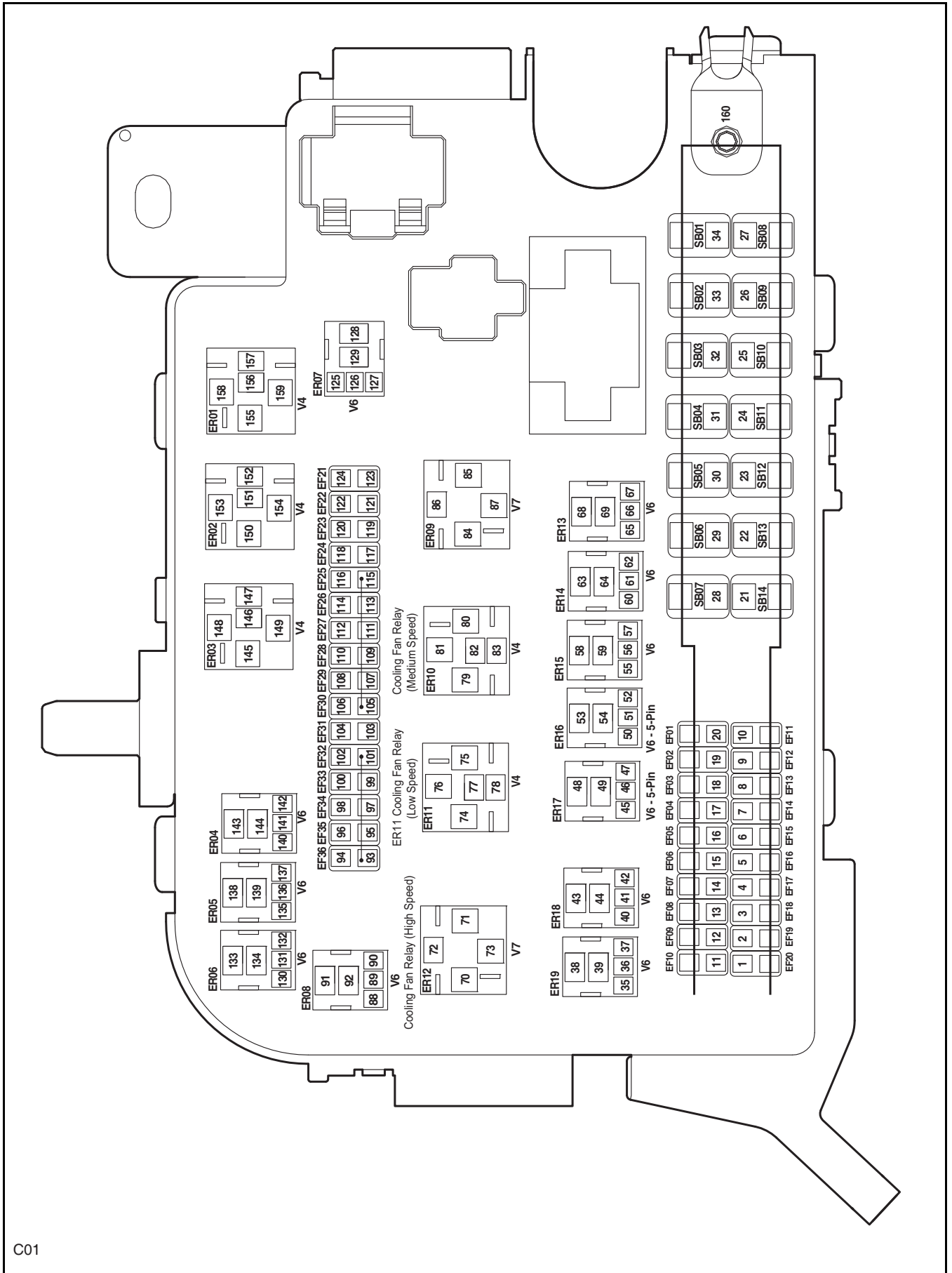
C6408008

Battery Fuse Box

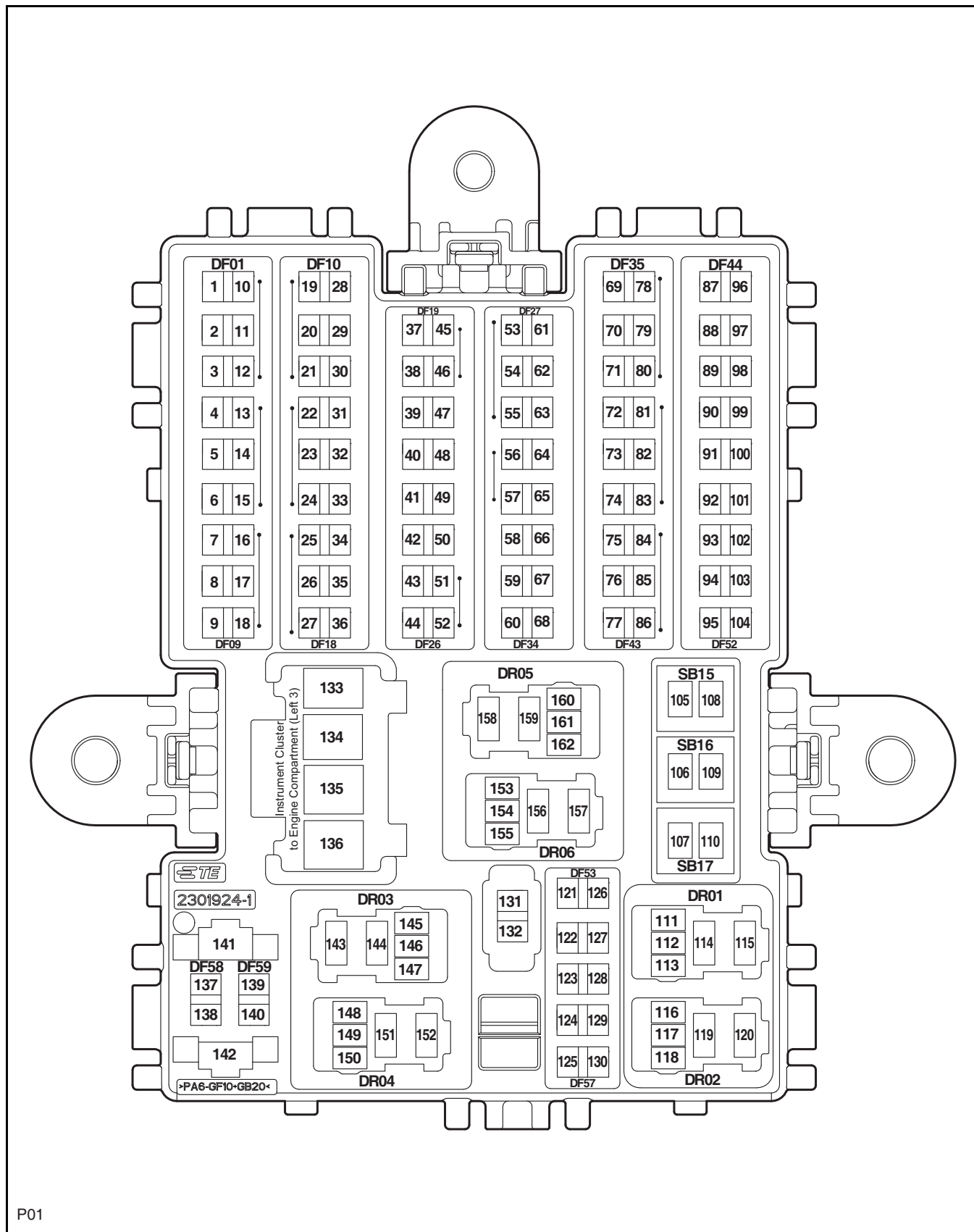


C18

Engine Compartment Fuse Box

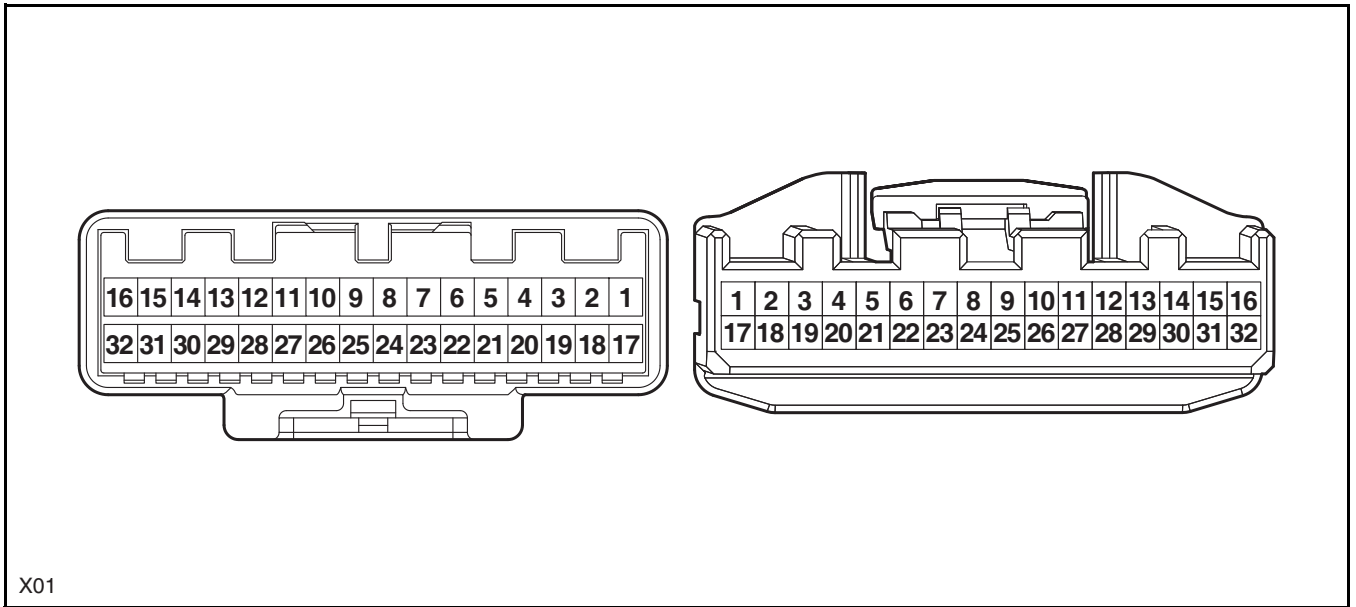


Instrument Panel Fuse Box



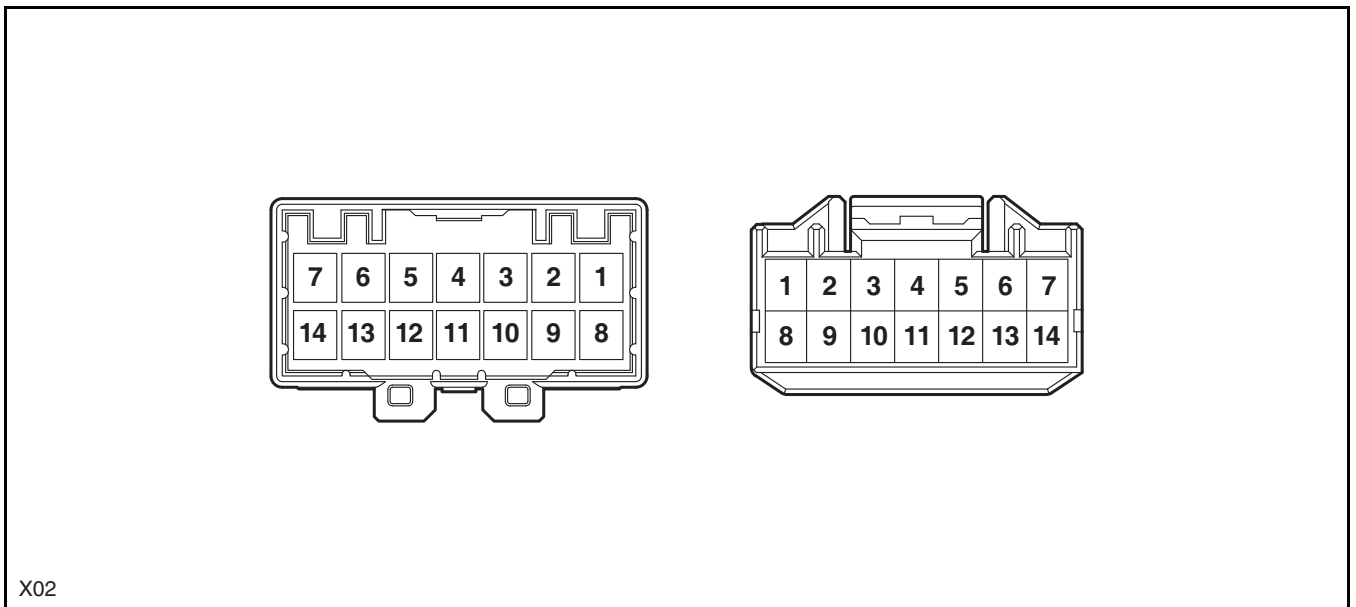
Engine Compartment Wiring Harness to Engine Wiring Harness 1

Engine Wiring Harness 1 to Engine Compartment Wiring Harness



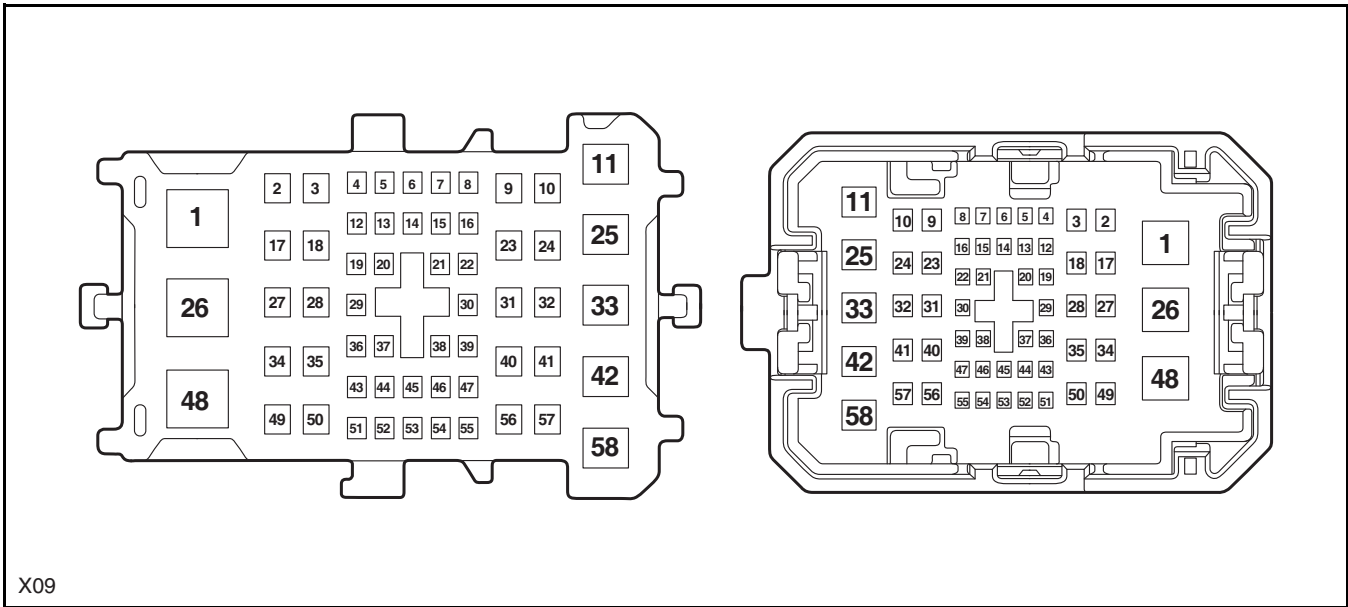
Engine Compartment Wiring Harness to Engine Wiring Harness 2

Engine Wiring Harness 2 to Engine Compartment Wiring Harness



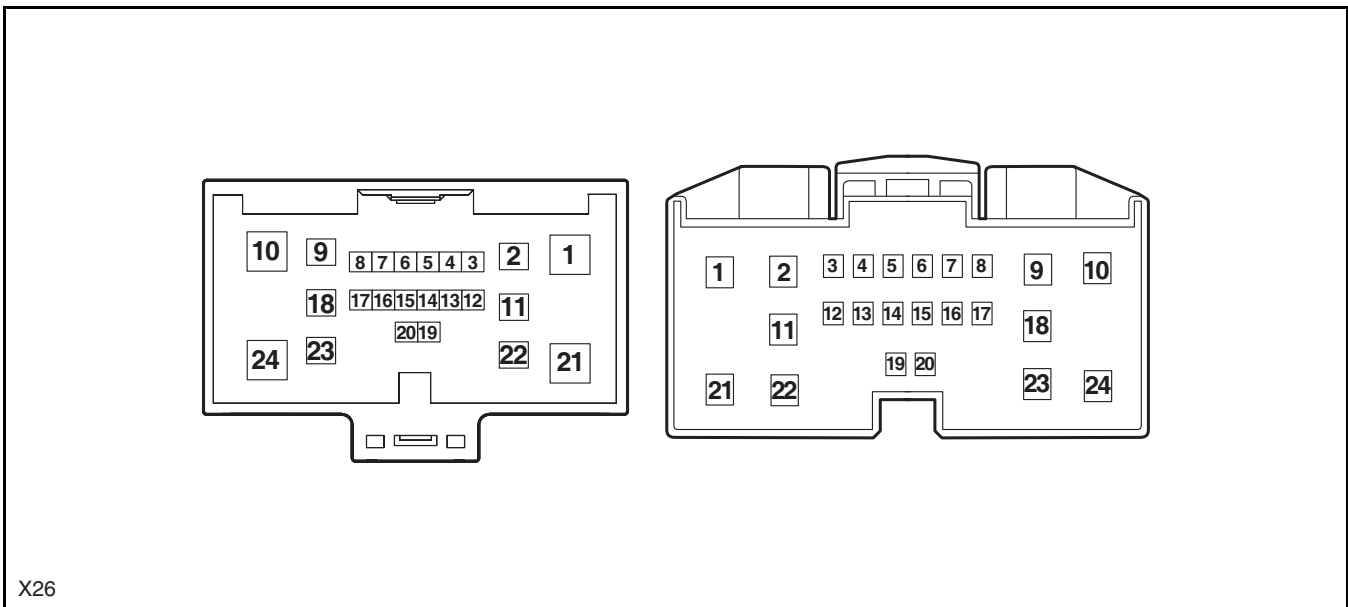
Instrument Panel Wiring Harness to Engine
Compartment Wiring Harness (Left 1)

Engine Compartment Wiring Harness to Instrument
Panel Wiring Harness (Left 1)



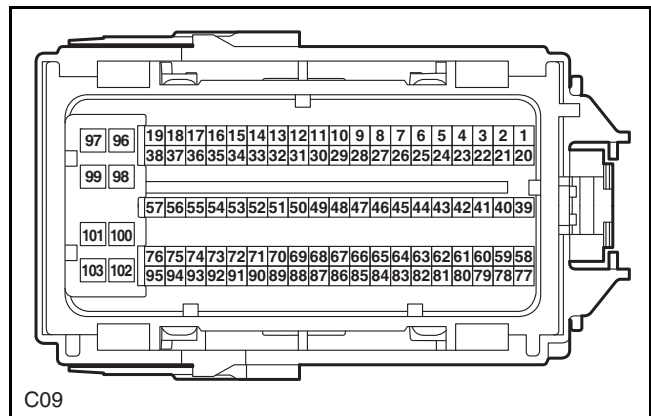
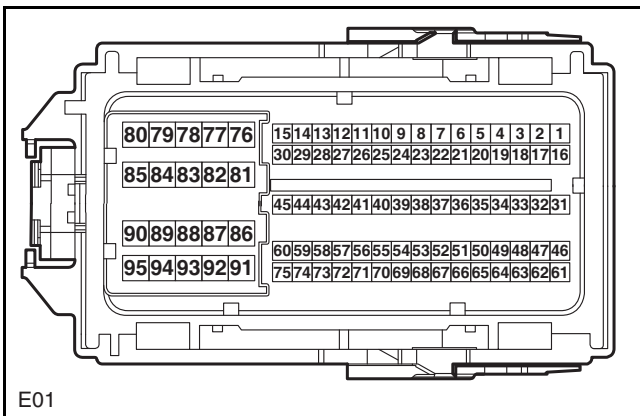
Chassis Wiring Harness to Engine Compartment
Wiring Harness (Left 1)

Engine Compartment Wiring Harness to Chassis
Wiring Harness (Left 1)

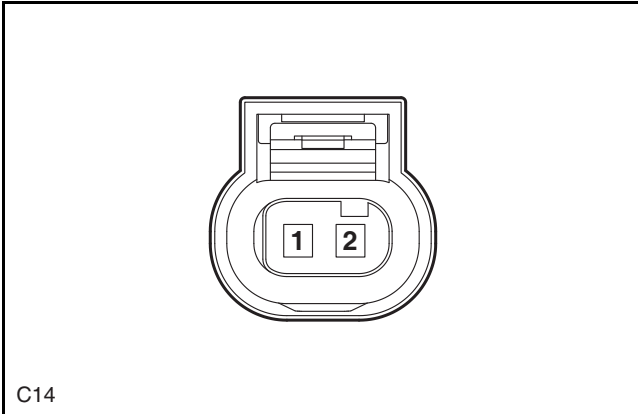


ECU-A

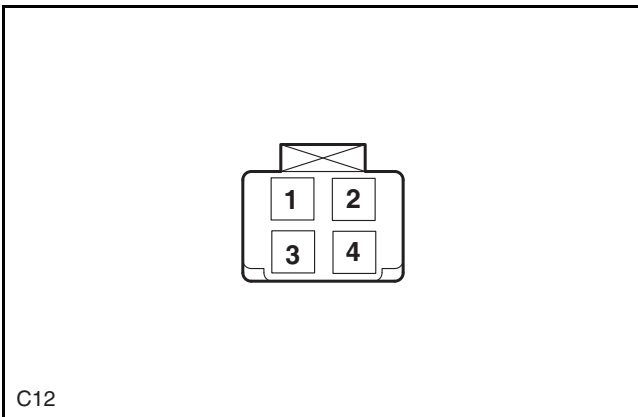
ECU-B



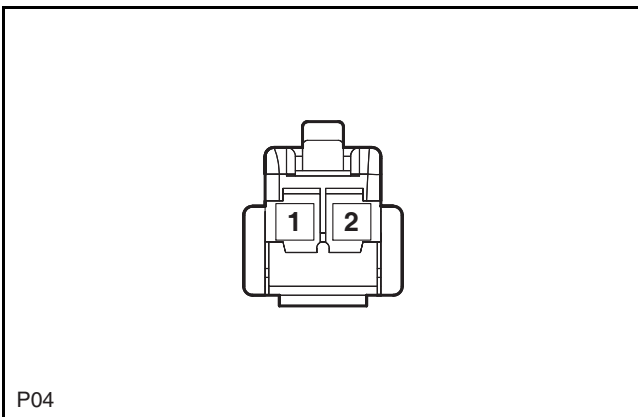
GPF Temperature Sensor



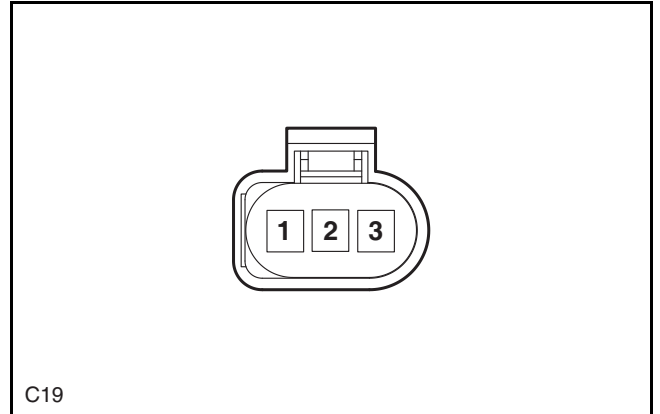
Brake Switch



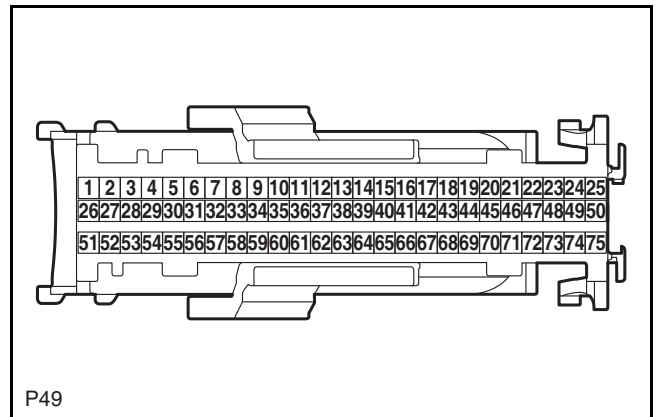
Switch Box



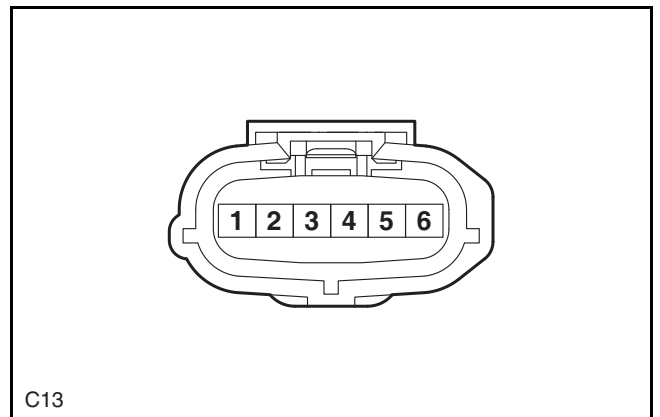
Vacuum Pressure Sensor



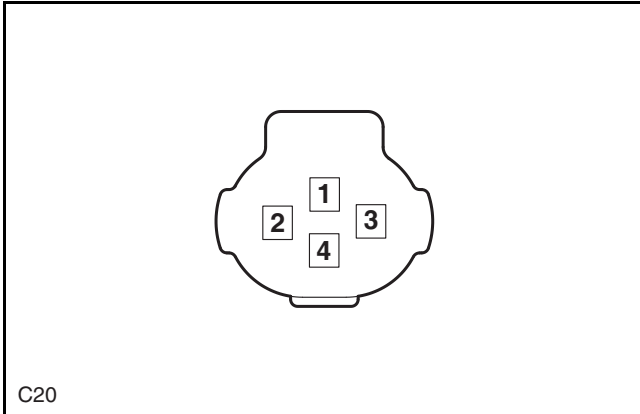
IBCM-J1



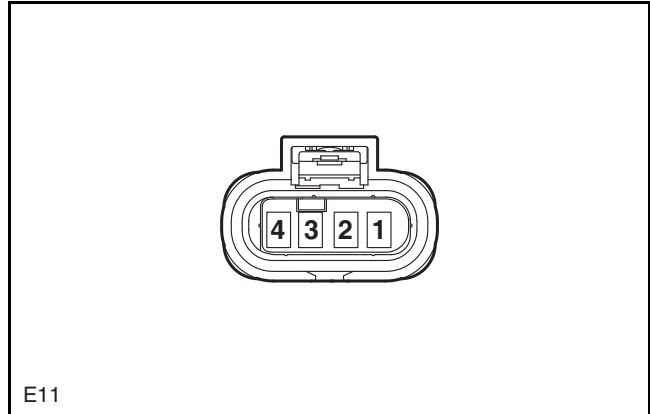
Accelerator Pedal Position Sensor



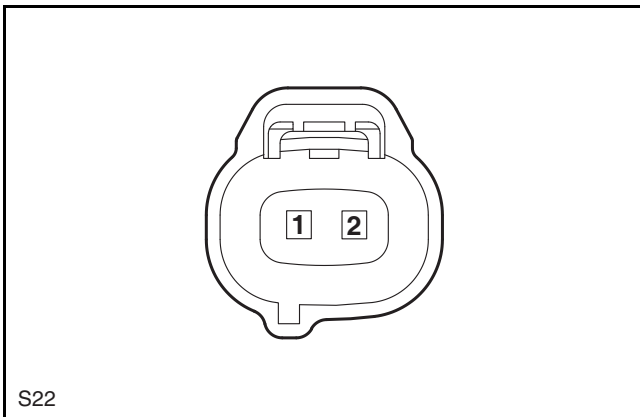
Refrigerant Pressure Sensor



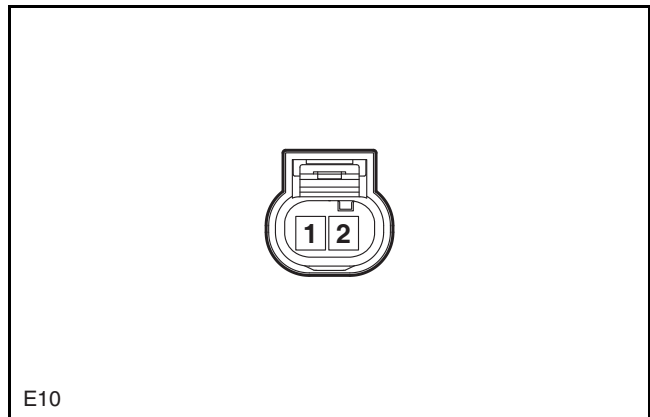
Switch Oxygen Sensor



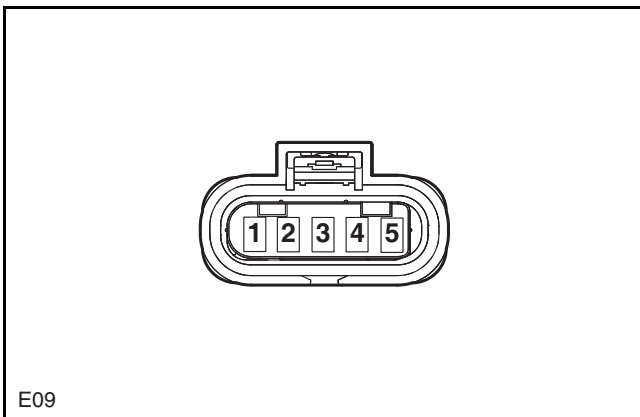
Carbon Canister Stop Valve



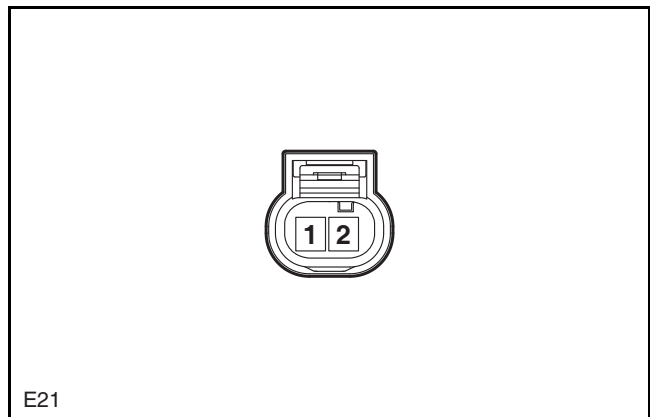
Coolant Temperature Sensor



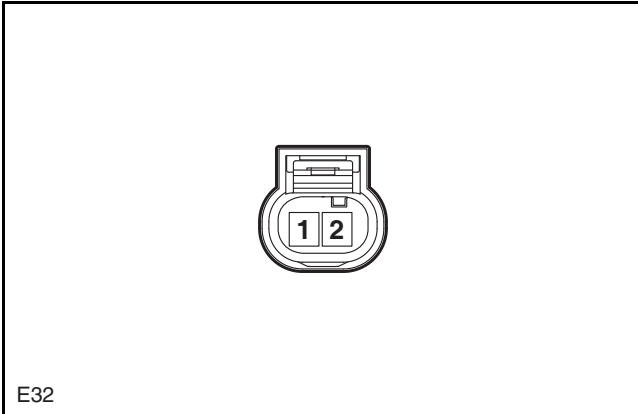
Linear Oxygen Sensor



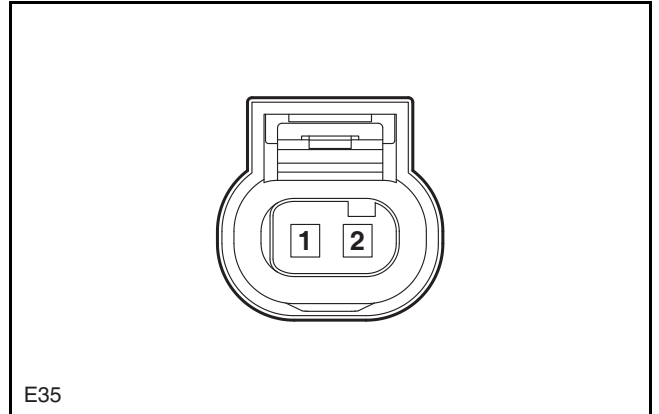
Variable Displacement Oil Pump



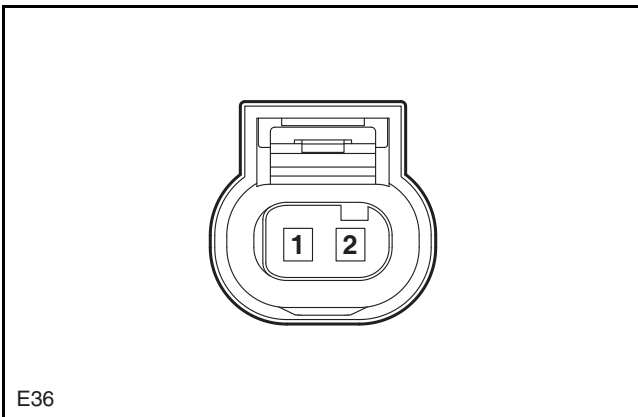
Carbon Canister Control Valve



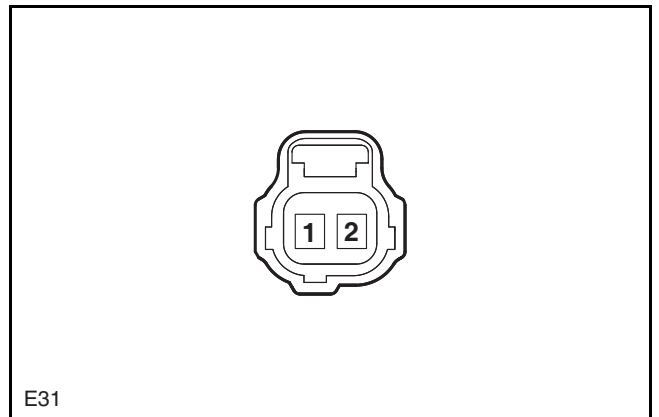
Intake OCV



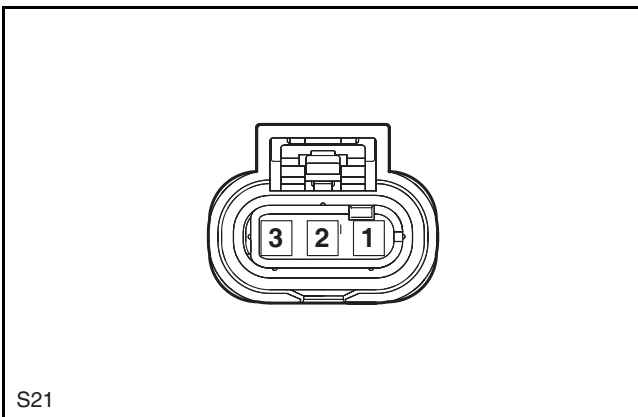
Exhaust OCV



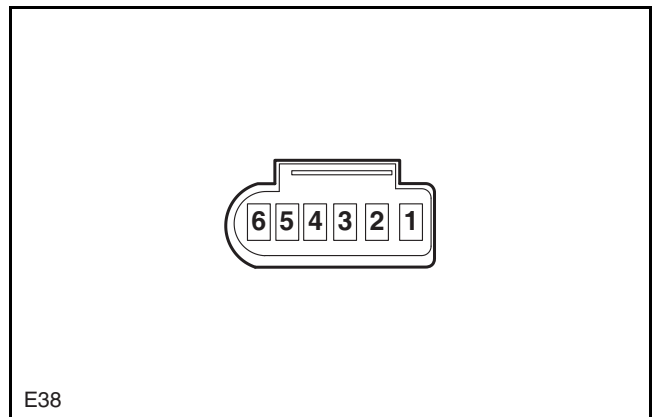
Air Intake Pressure Discharge Valve



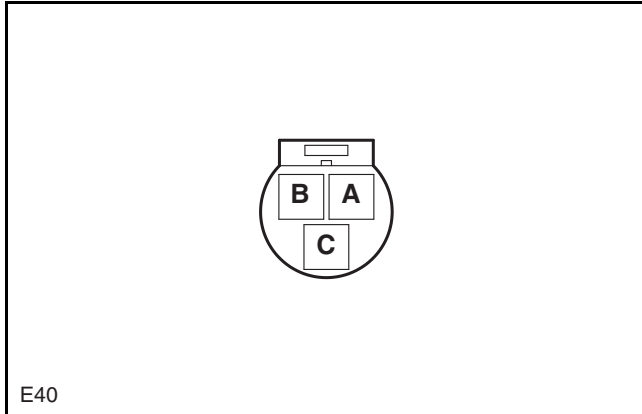
Fuel Tank Pressure Sensor



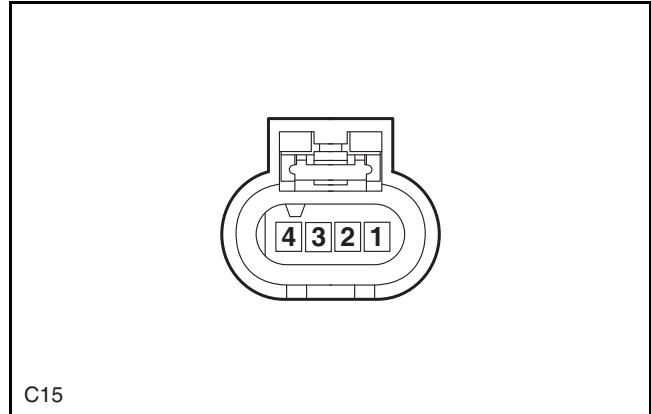
Exhaust Bypass Actuator



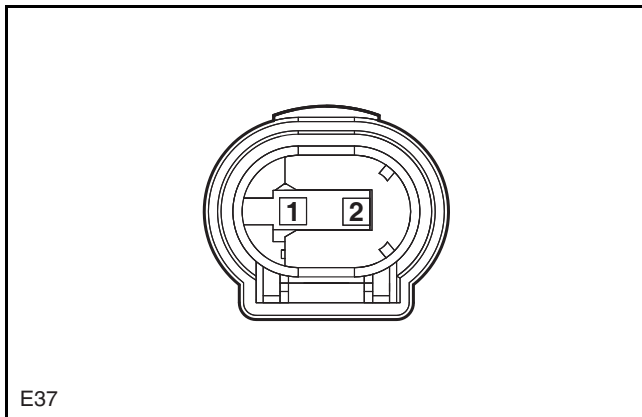
Oil Pressure Alarm Assembly



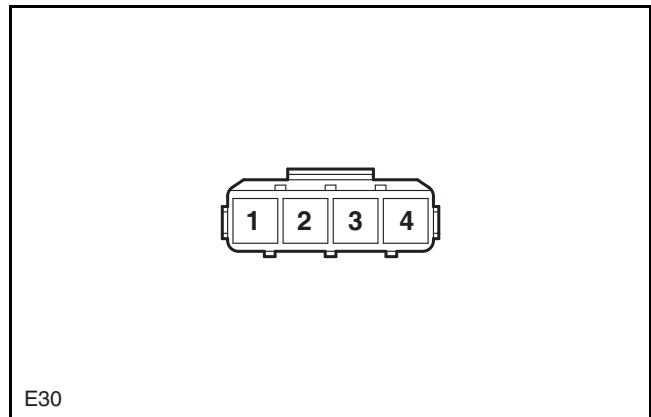
GPF Differential Pressure Sensor



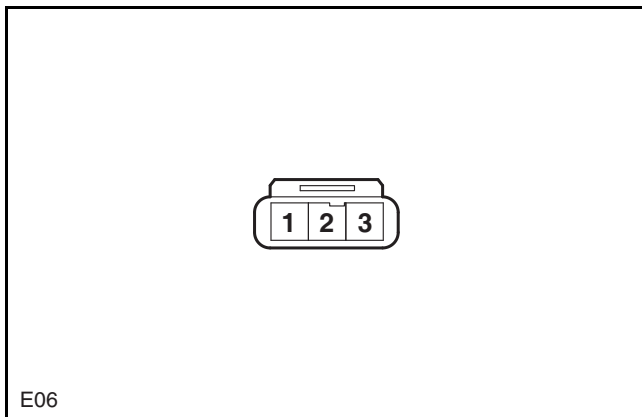
Electric Wiring Harness Conduit



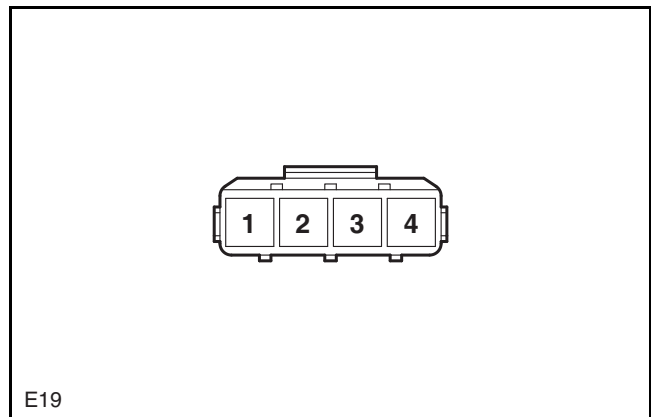
Boost Pressure/Temperature Sensor Intercooling



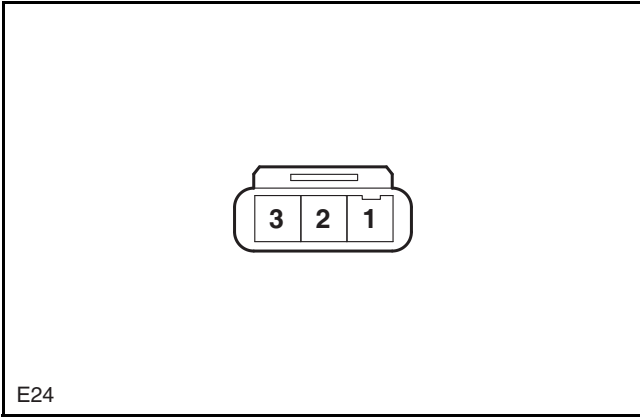
Fuel Rail Pressure Sensor



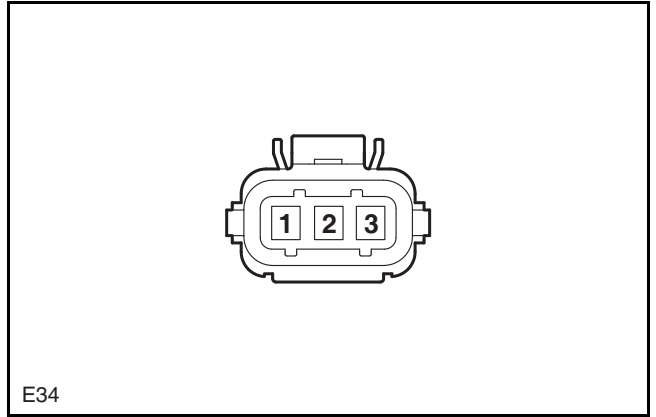
Boost Pressure/Temperature Sensor



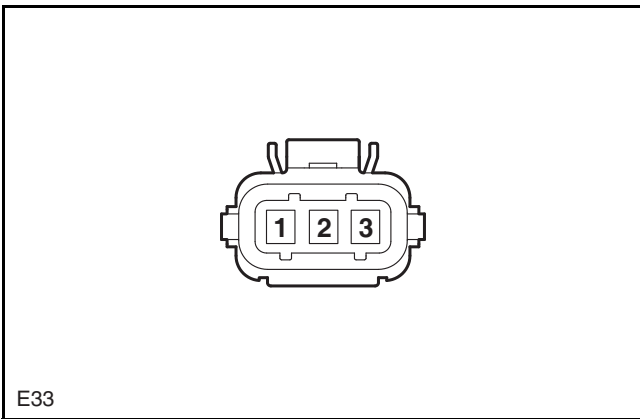
Desorption Pressure Sensor



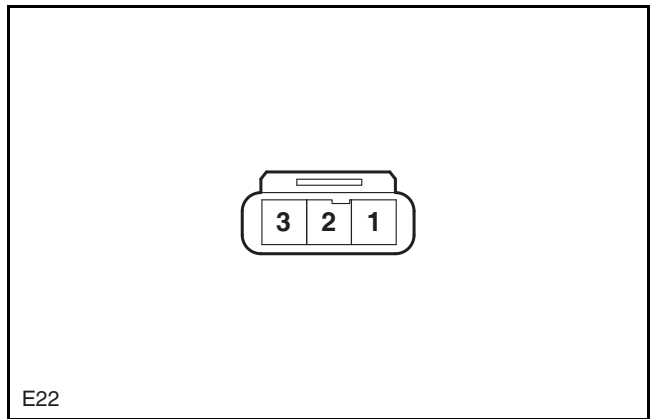
Intake Camshaft Sensor



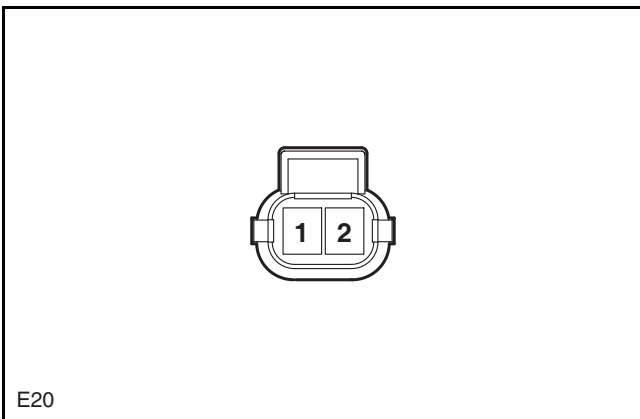
Exhaust Camshaft Sensor



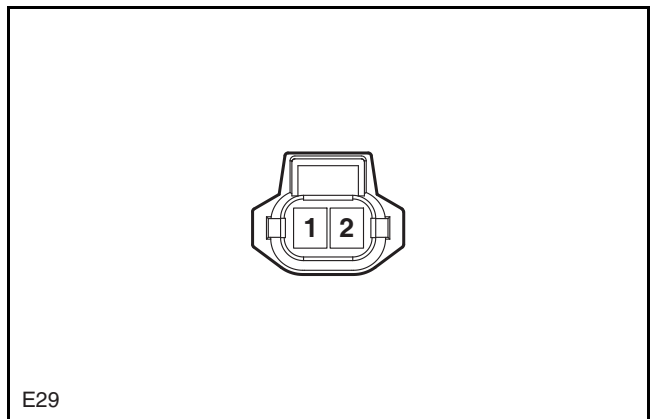
Crankshaft Position Sensor



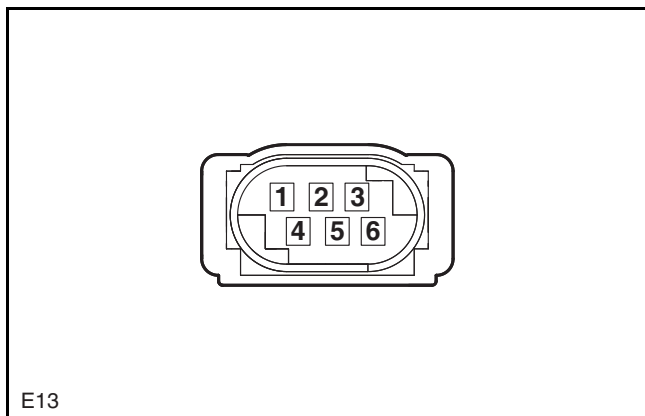
Knock Sensor



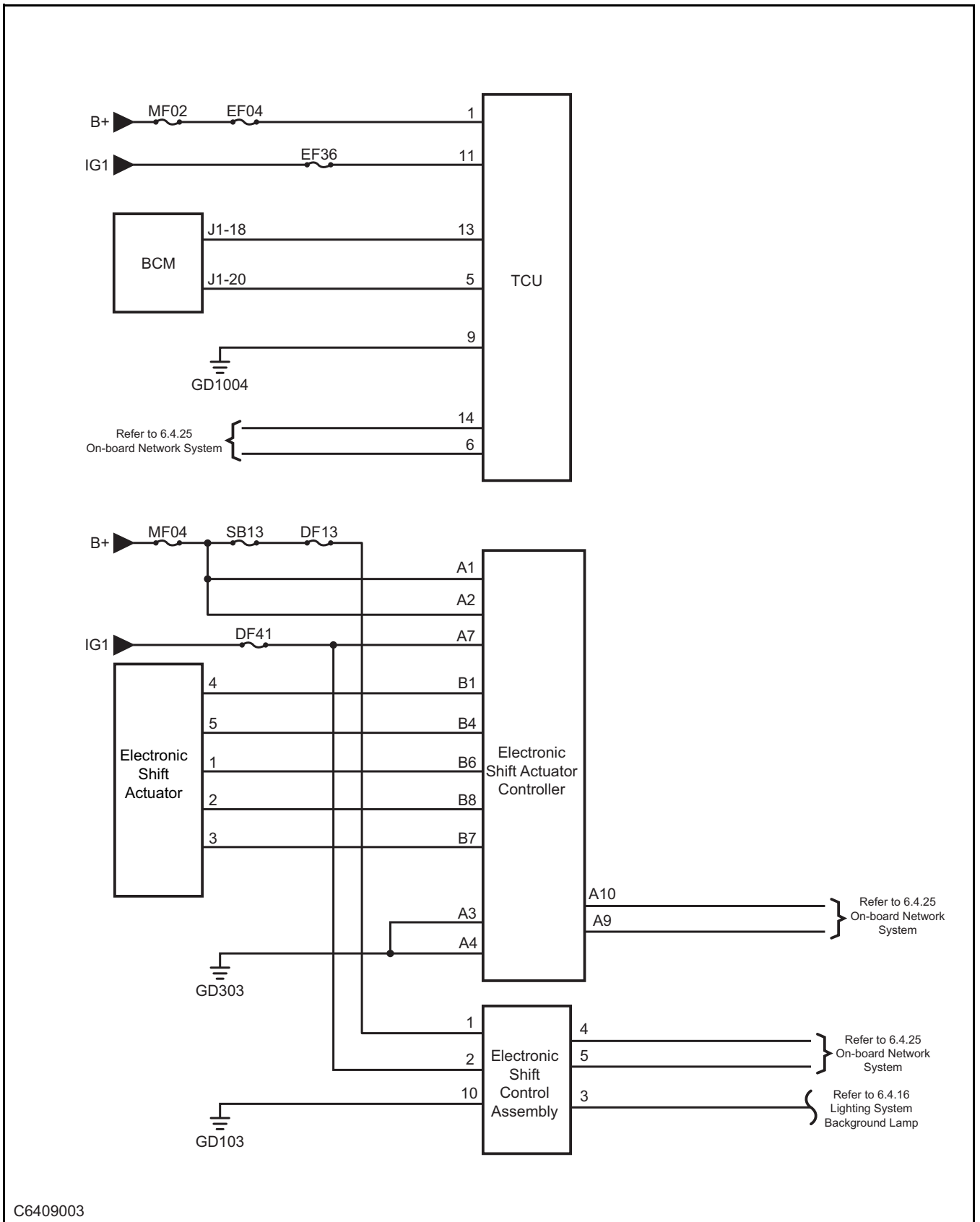
High Pressure Oil Pump



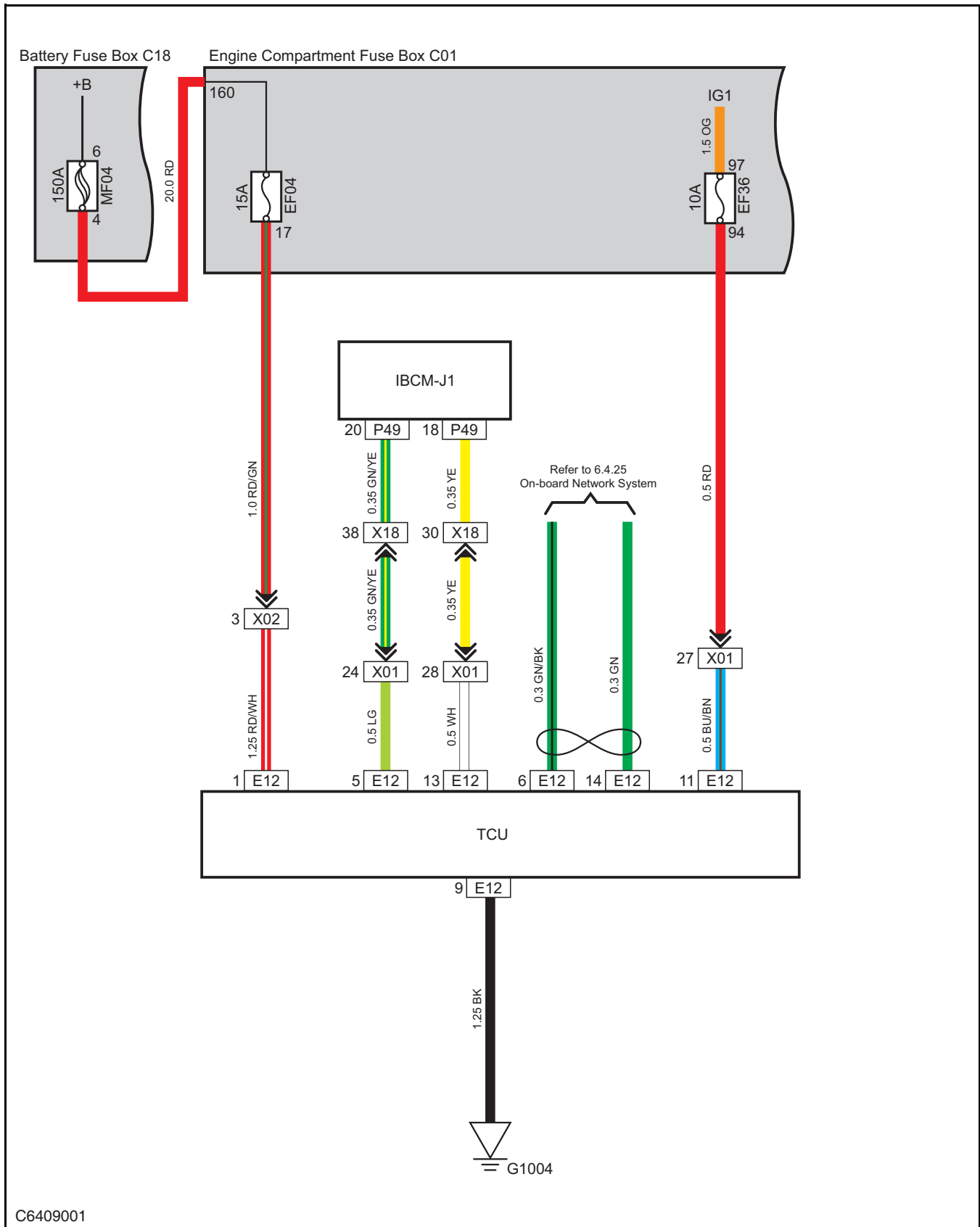
Electronic Throttle Valve



Automatic Transmission

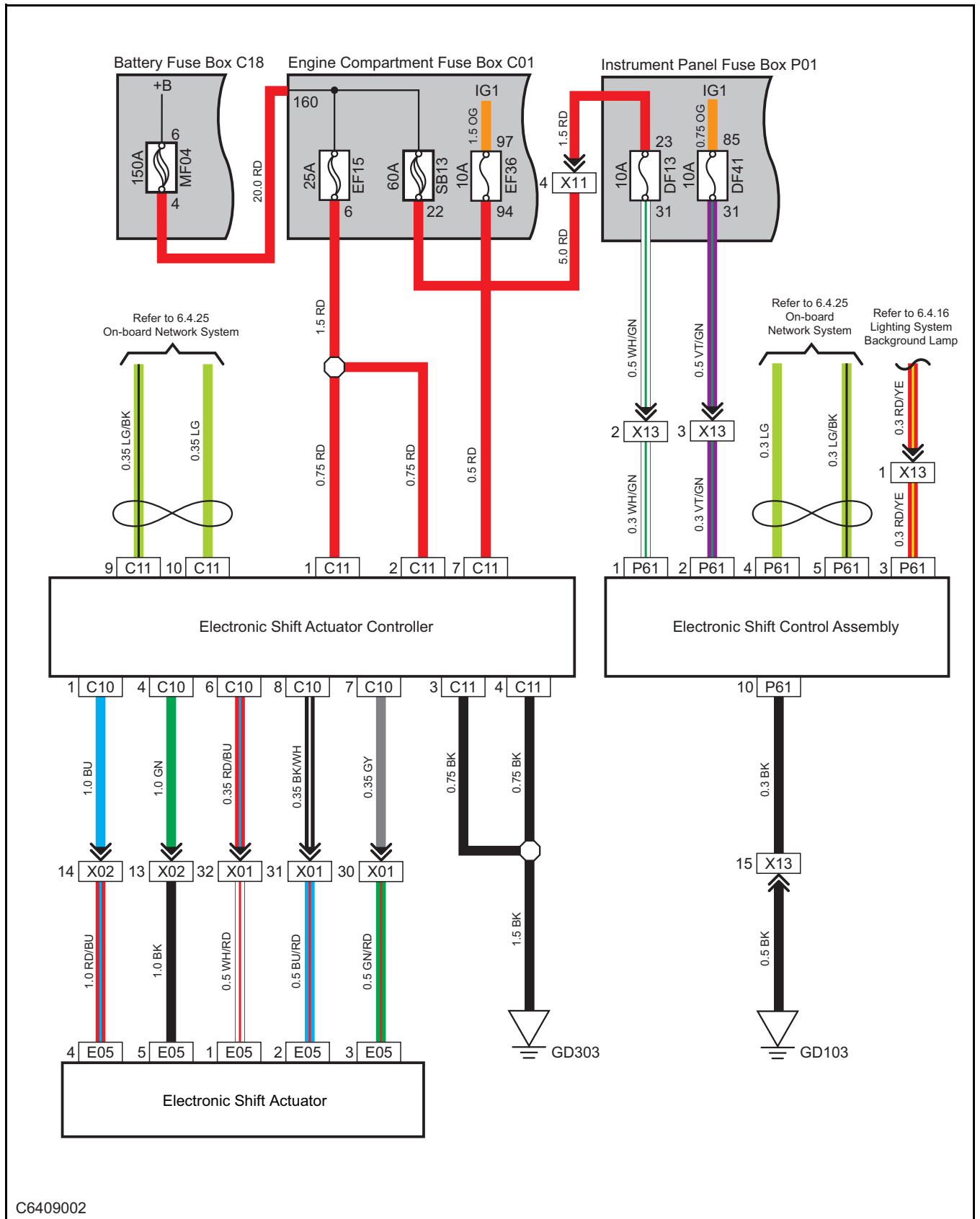


Power Supply

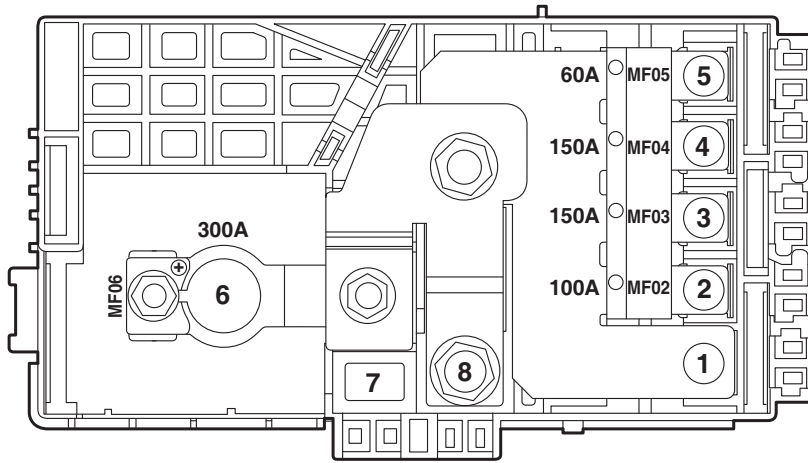


C6409001

Electronic Shift Controller/Shift Actuator/Shifter

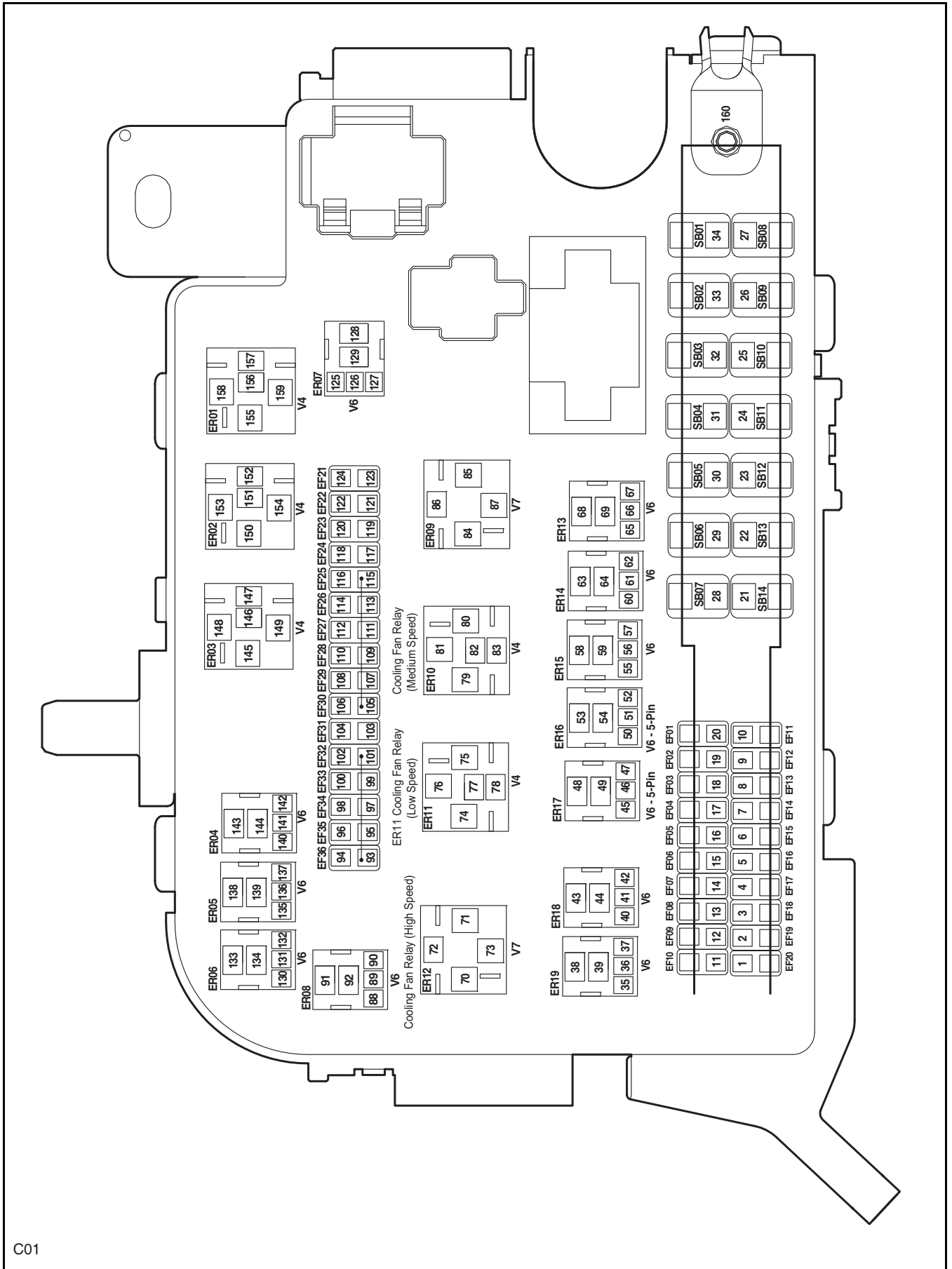


Battery Fuse Box



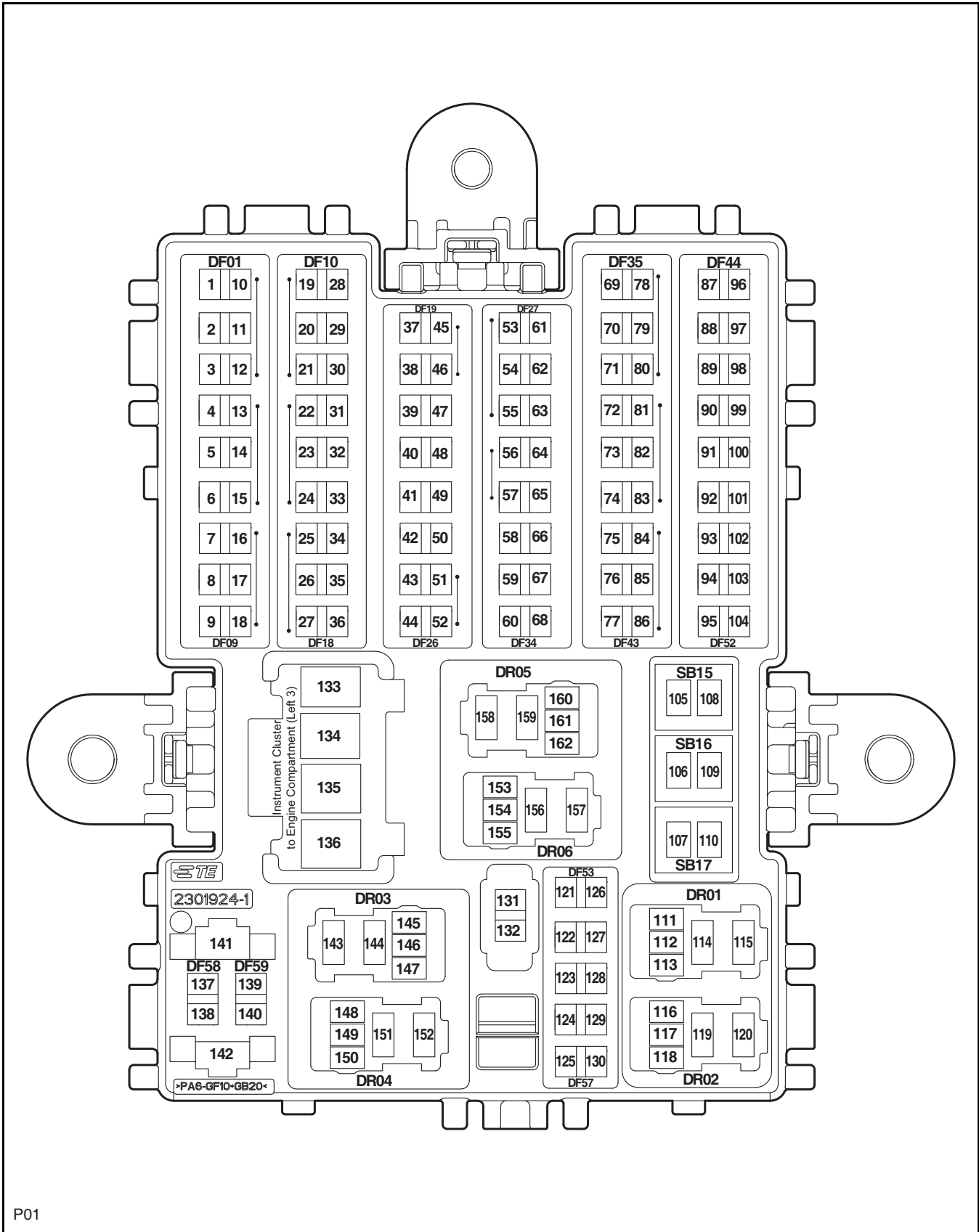
C18

Engine Compartment Fuse Box



C01

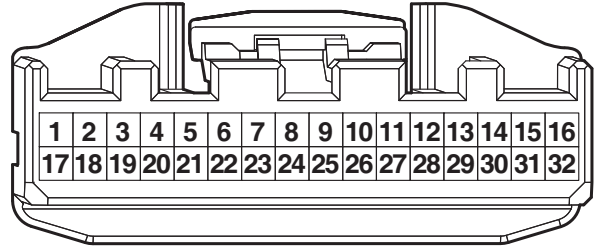
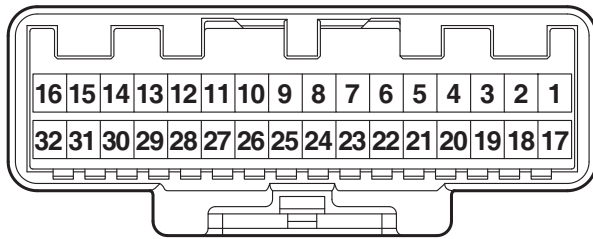
Instrument Panel Fuse Box



P01

Engine Compartment Wiring Harness to
Engine Wiring Harness 1

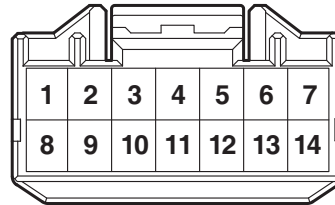
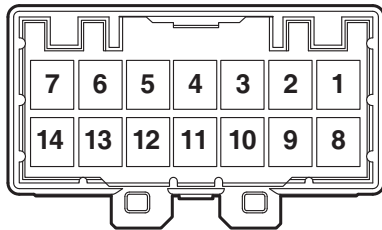
Engine Wiring Harness 1 to Engine
Compartment Wiring Harness



X01

Engine Compartment Wiring Harness to
Engine Wiring Harness 2

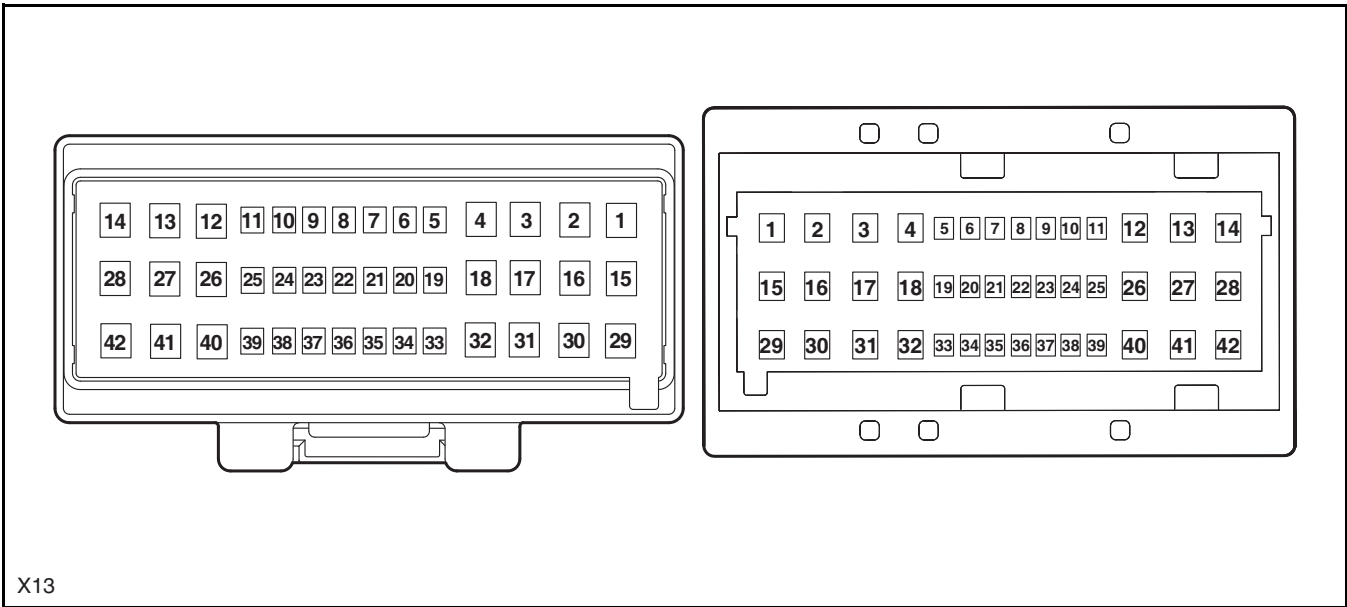
Engine Wiring Harness 2 to Engine
Compartment Wiring Harness



X02

Instrument Panel Wiring Harness to Auxiliary Fascia Console Wiring Harness Panel

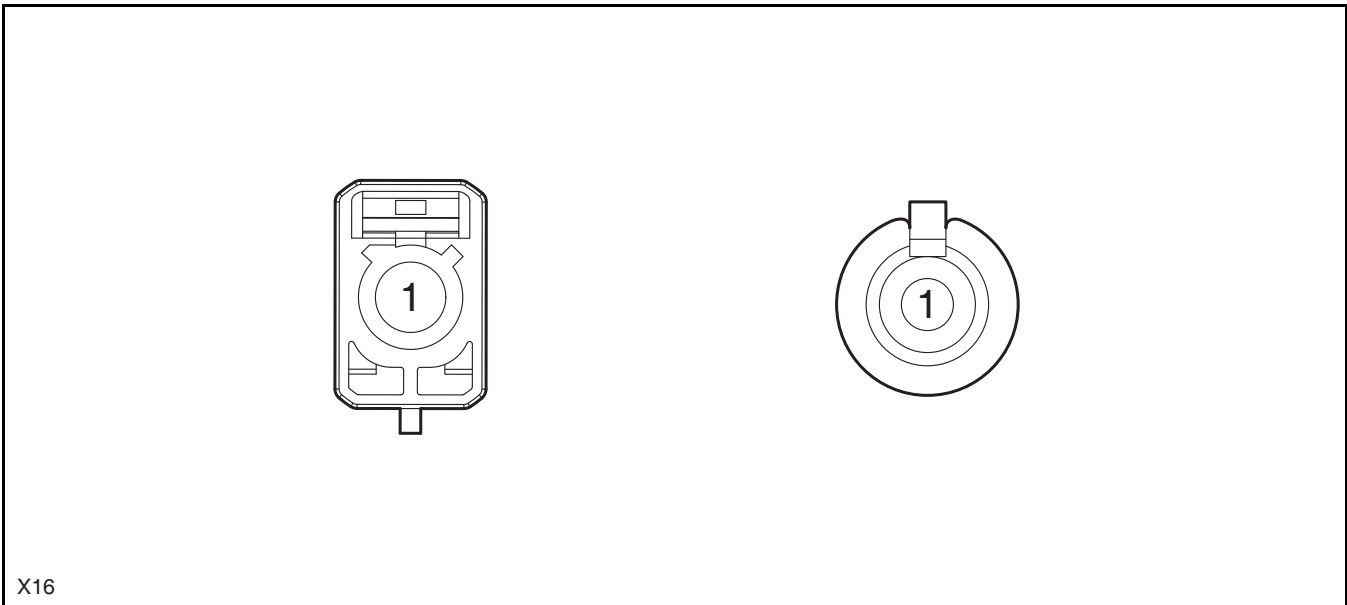
Auxiliary Fascia Console Wiring Harness Panel to Instrument Panel Wiring Harness



X13

Instrument Panel Wiring Harness to Roof GPS Feeder (Grey)

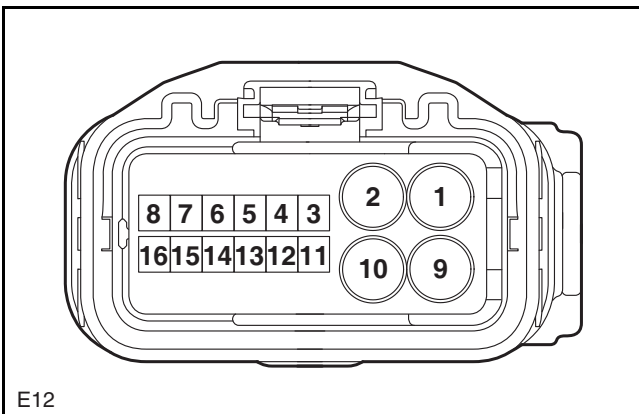
Roof GPS Feeder to Instrument Panel Wiring Harness (Grey)



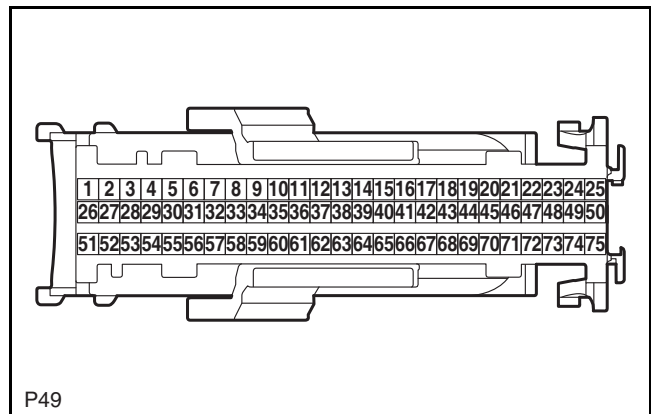
X16

TCU

IBCM-J1

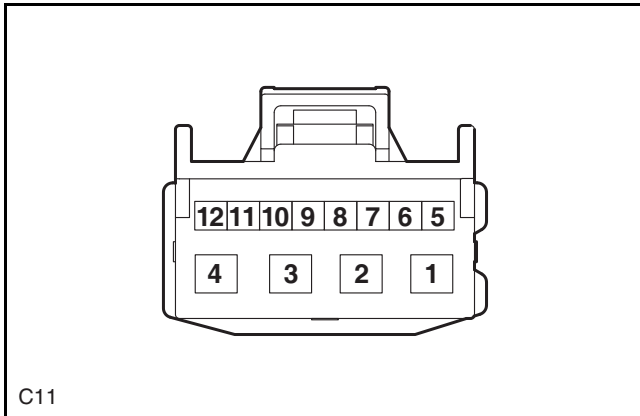


E12



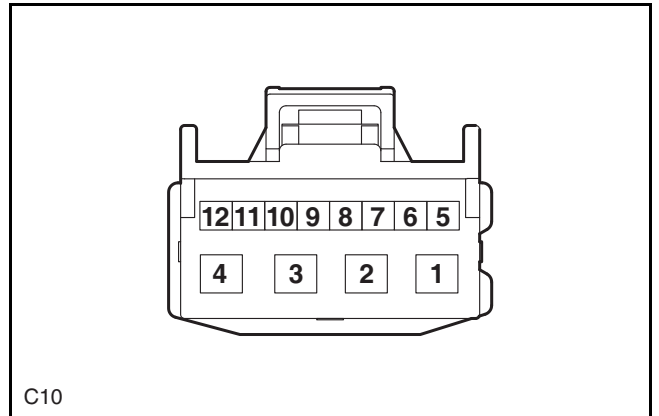
P49

Electronic Shift Actuator Controller A

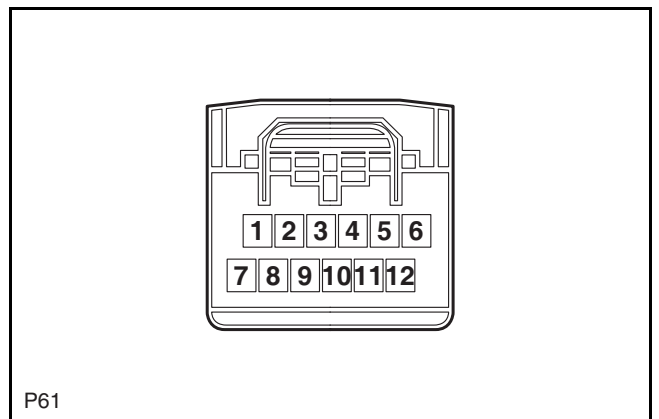
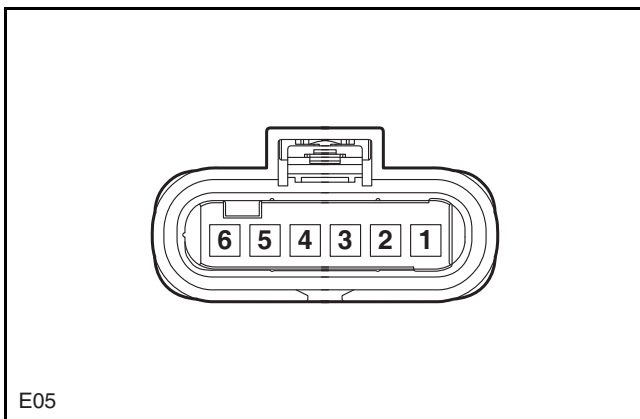


Electronic Shift Actuator

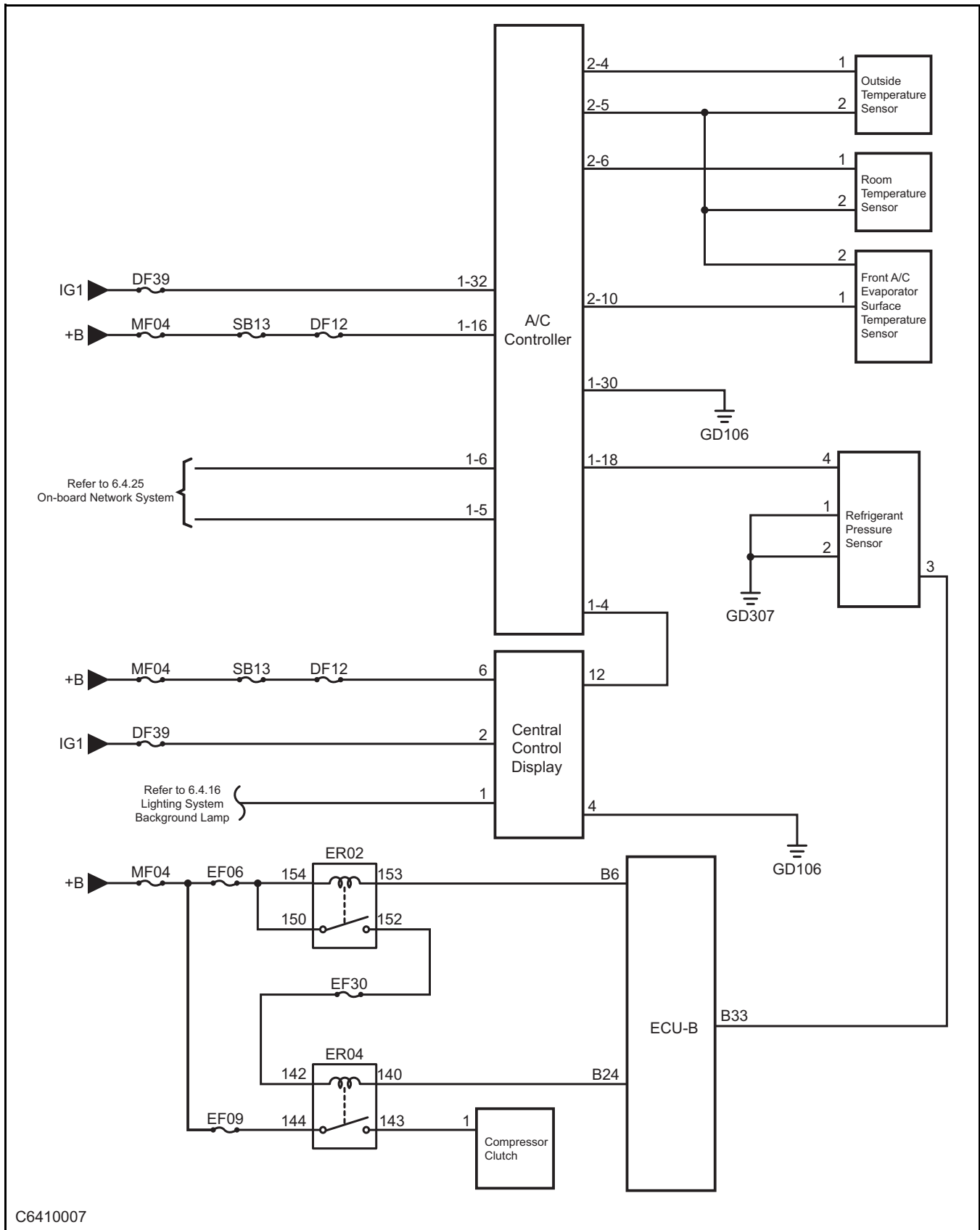
Electronic Shift Actuator Controller B

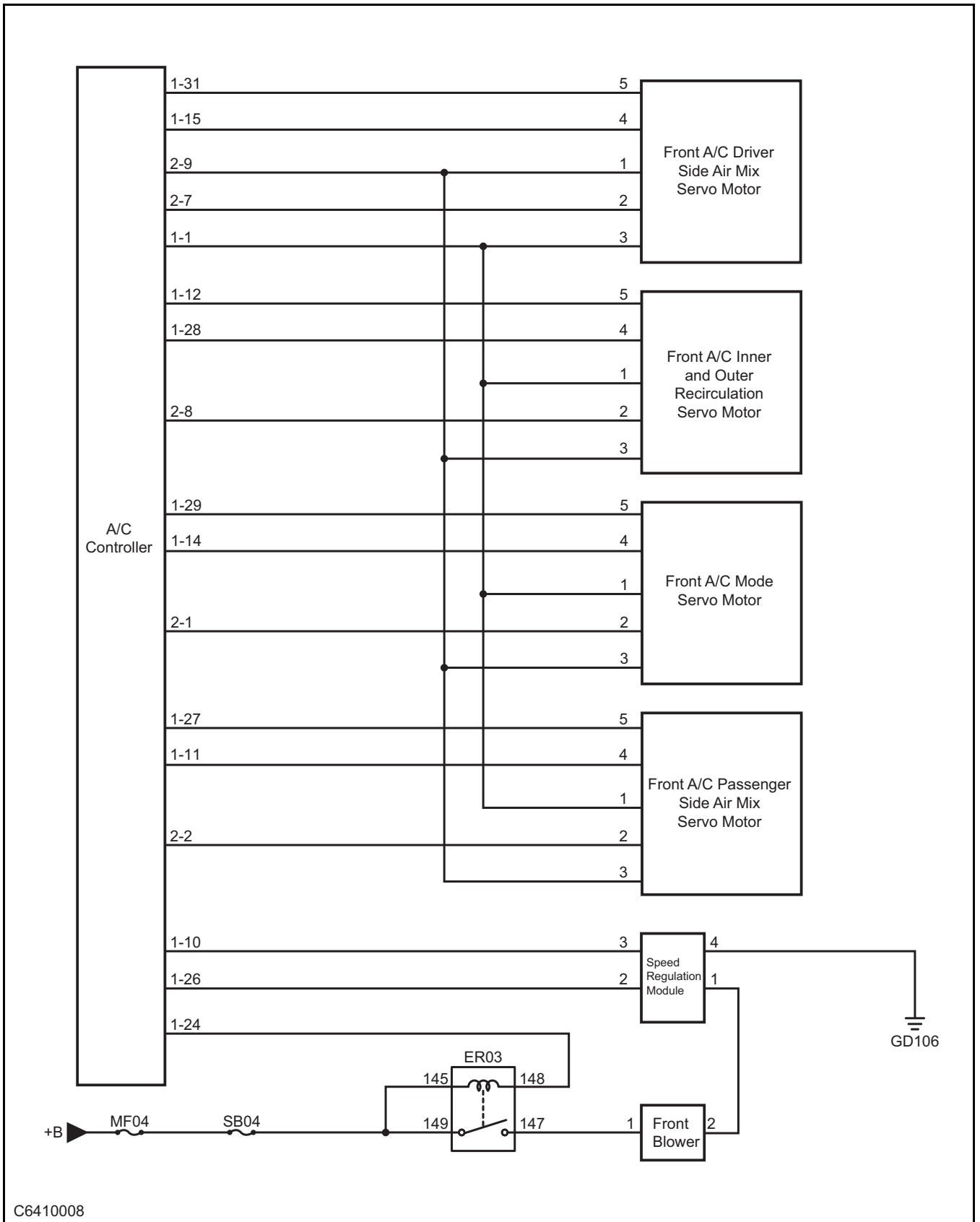


Electronic Shift Control Assembly



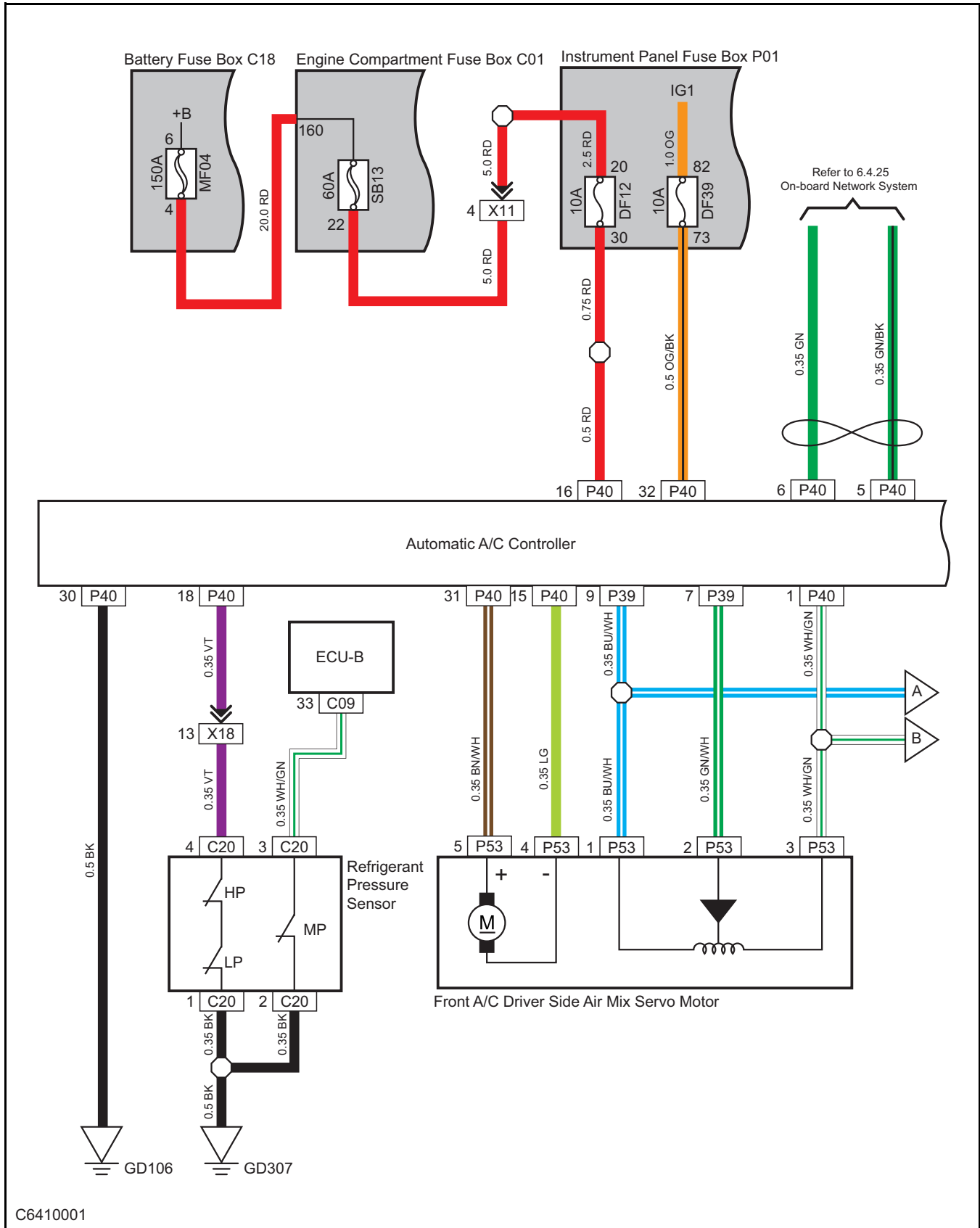
Heating, Ventilation and Air Conditioning



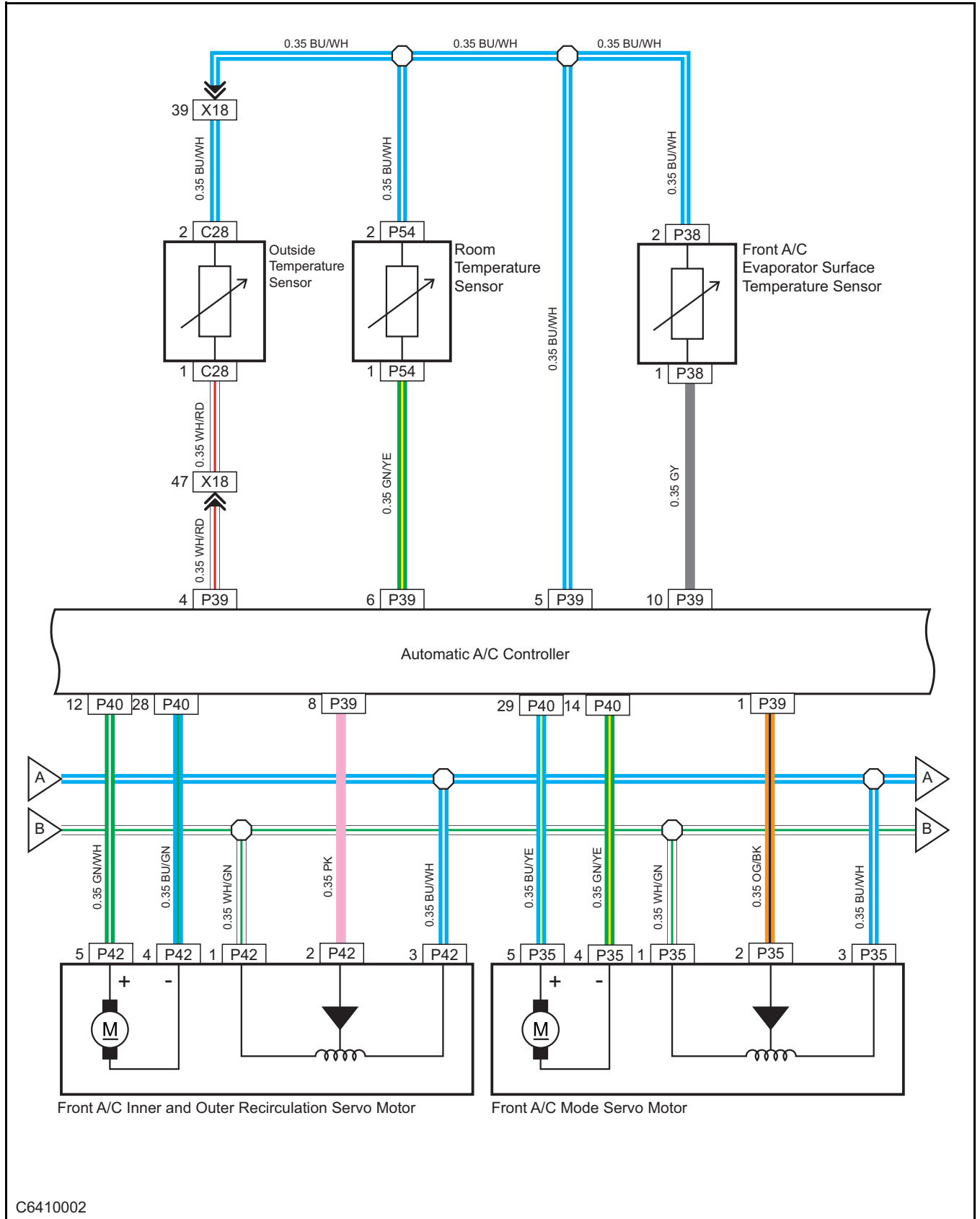


C6410008

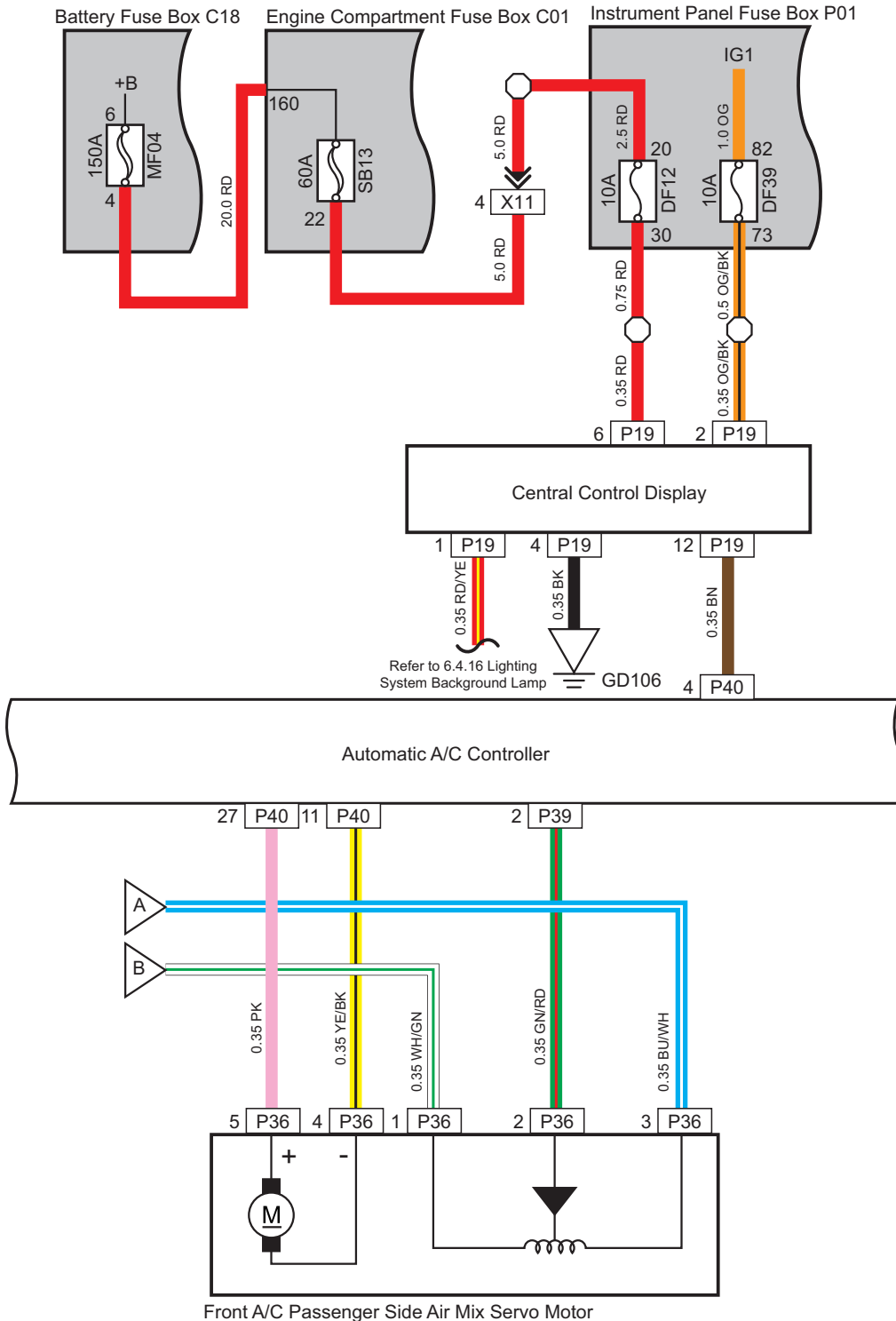
Power Supply/Refrigerant Pressure Sensor/Front A/C Driver Side Air Mix Servo Motor



**Outside Temperature Sensor/Room Temperature Sensor/Front A/C Evaporator Surface Temperature Sensor
Evaporator Surface Temperature Sensor/Front A/C Inside/Outside Air Servo Motor/Front A/C Mode Servo Motor**

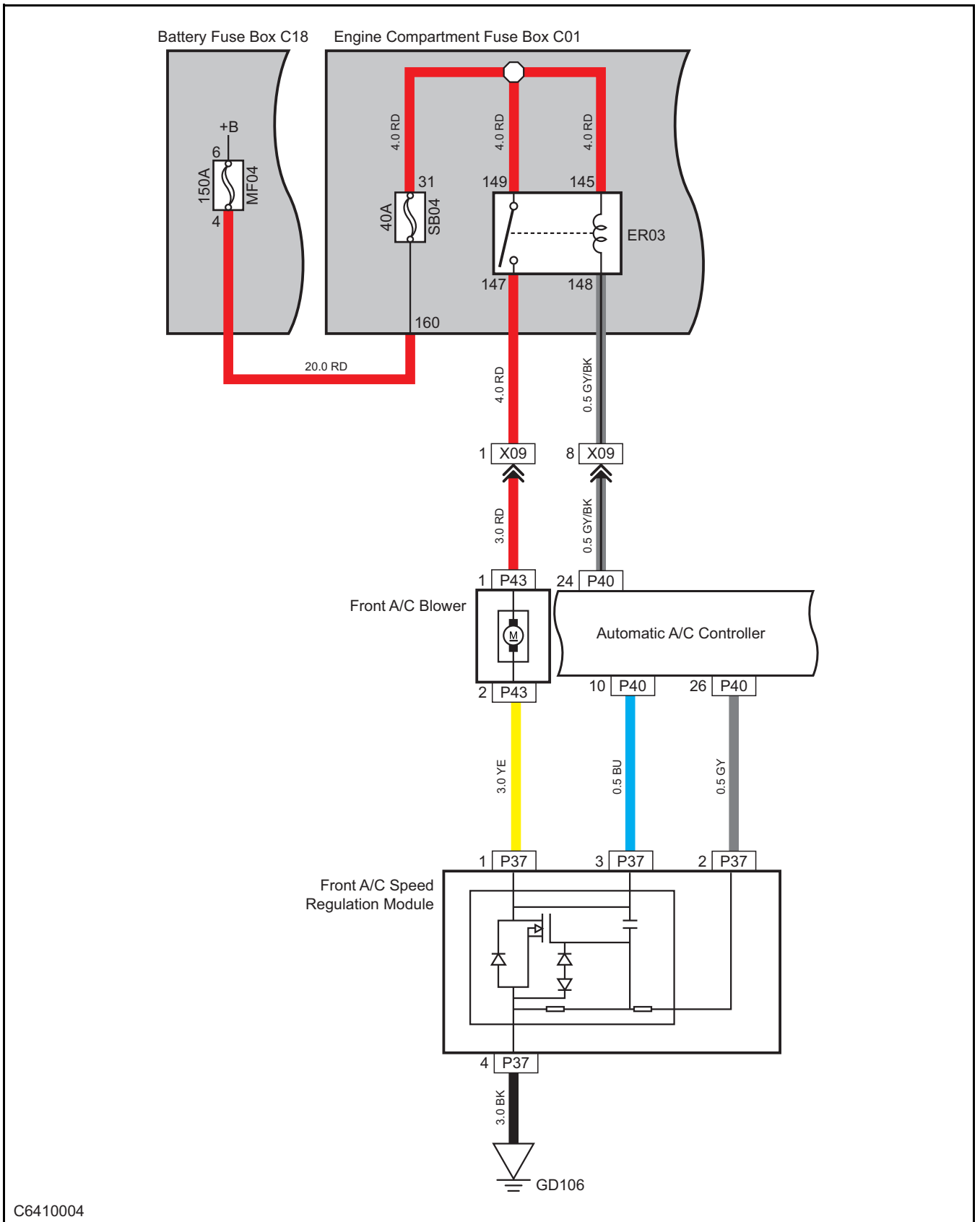


Central Display/Front A/C Passenger Side Air Mix Servo Motor



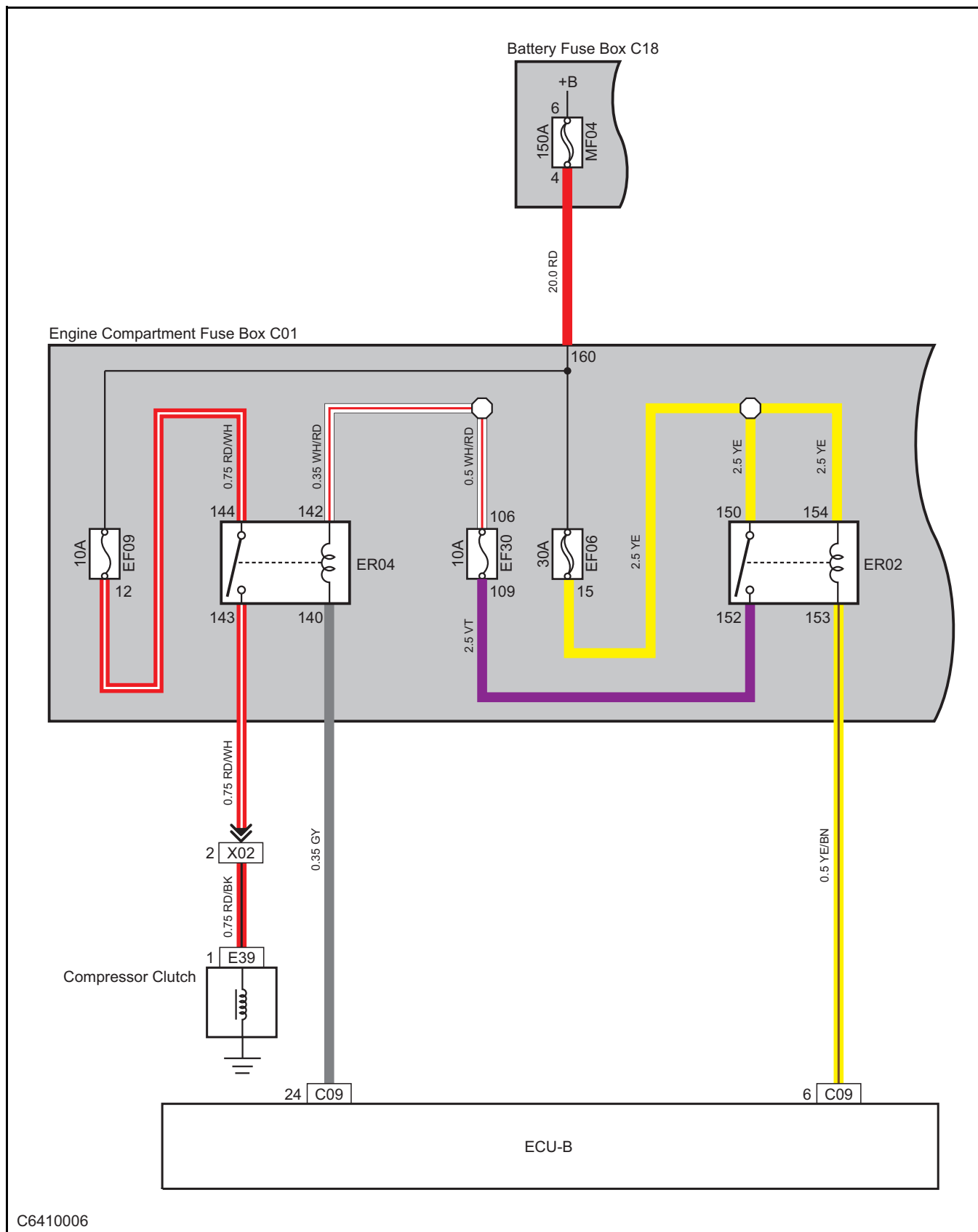
C6410003

Front Blower/Speed Regulation Module



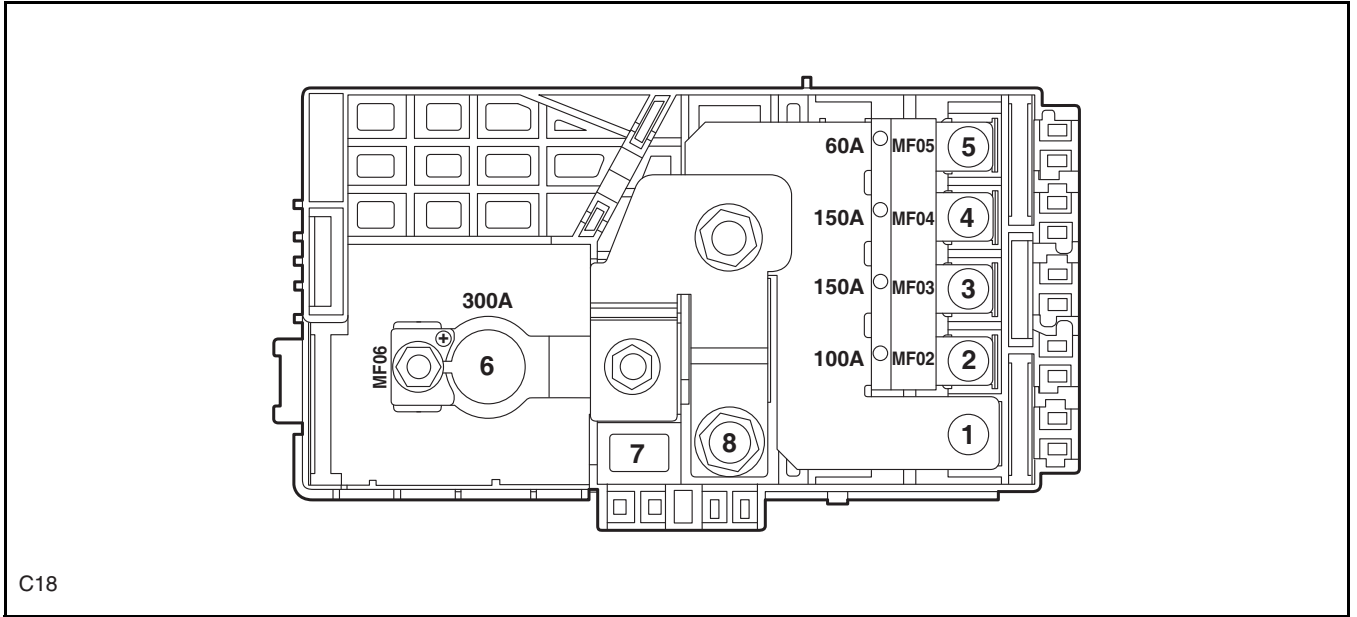
C6410004

Compressor



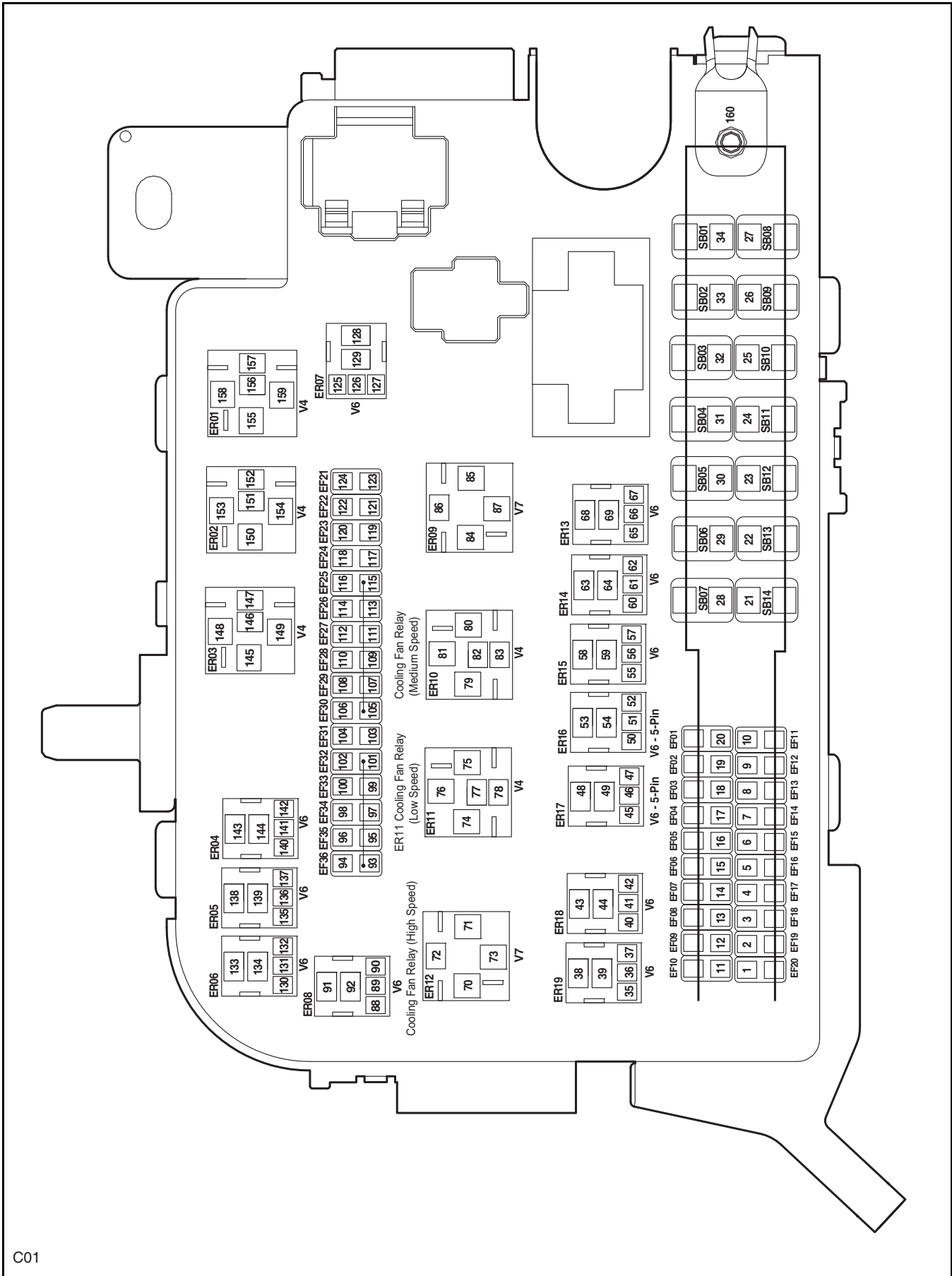
C6410006

Battery Fuse Box

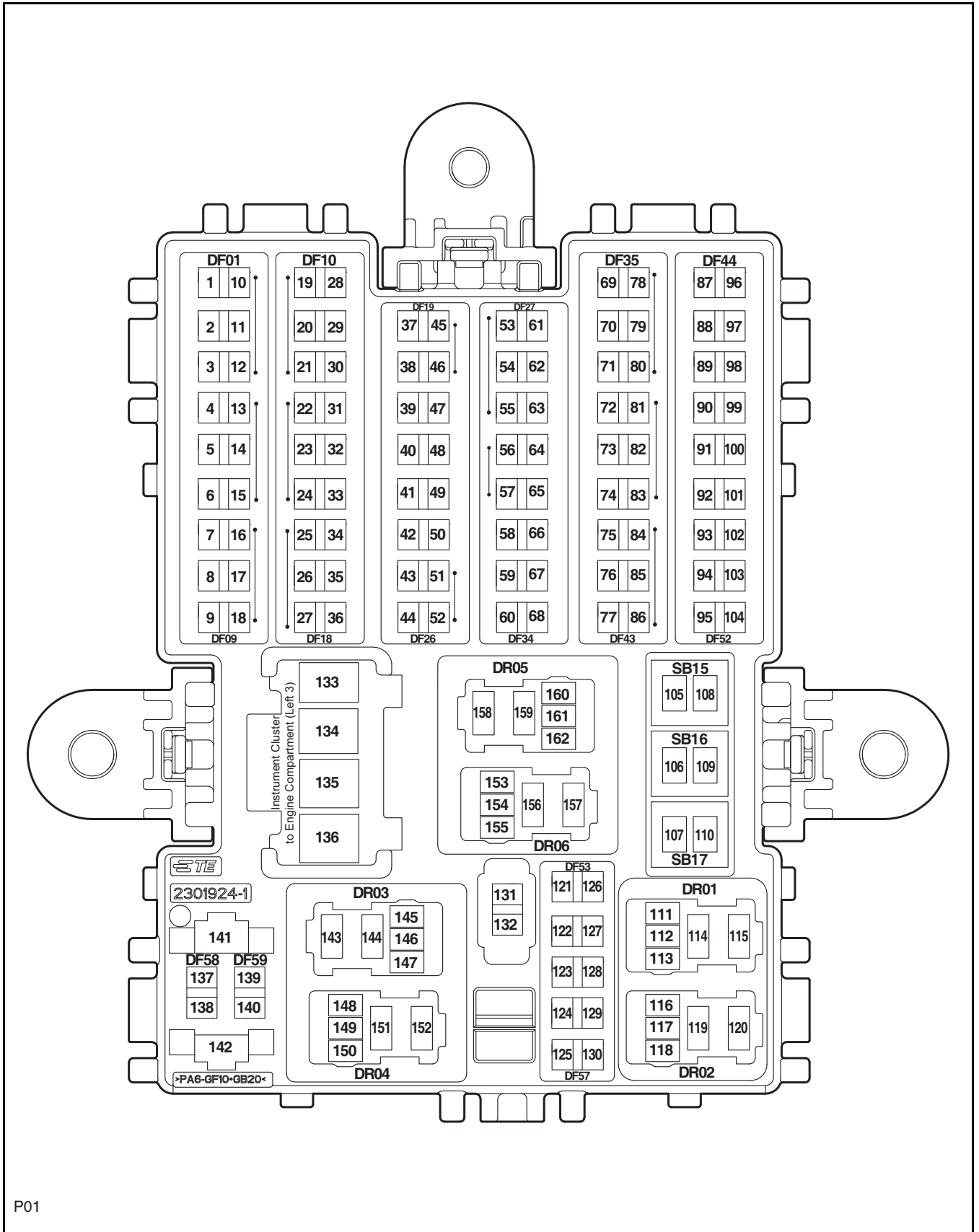


C18

Engine Compartment Fuse Box



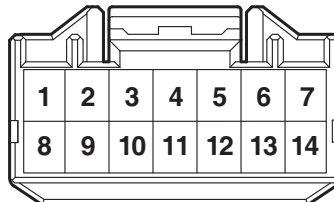
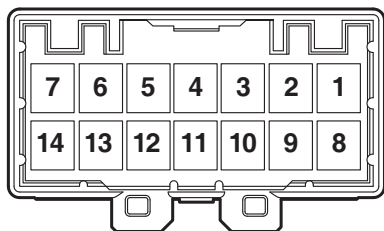
Instrument Panel Fuse Box



P01

Engine Compartment Wiring Harness to Engine Wiring Harness 2

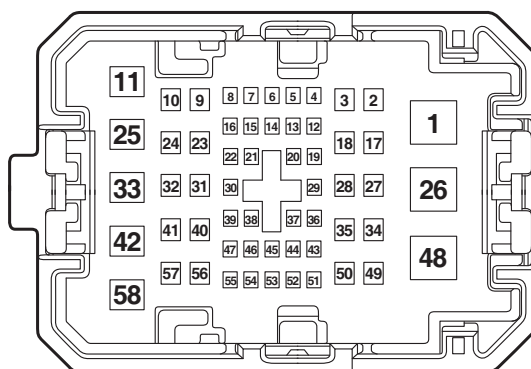
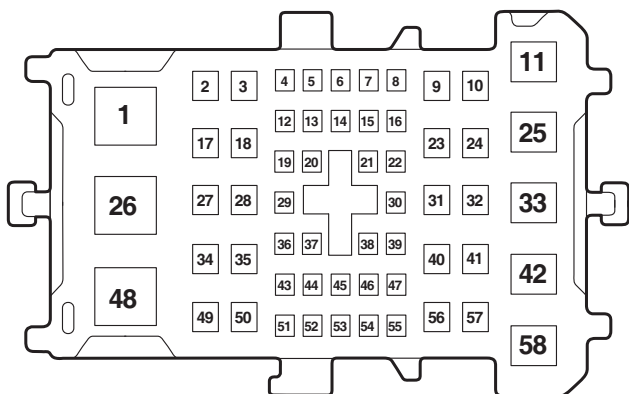
Engine Wiring Harness 2 to Engine Compartment Wiring Harness



X02

Instrument Panel Wiring Harness to Engine Compartment Wiring Harness (Left 1)

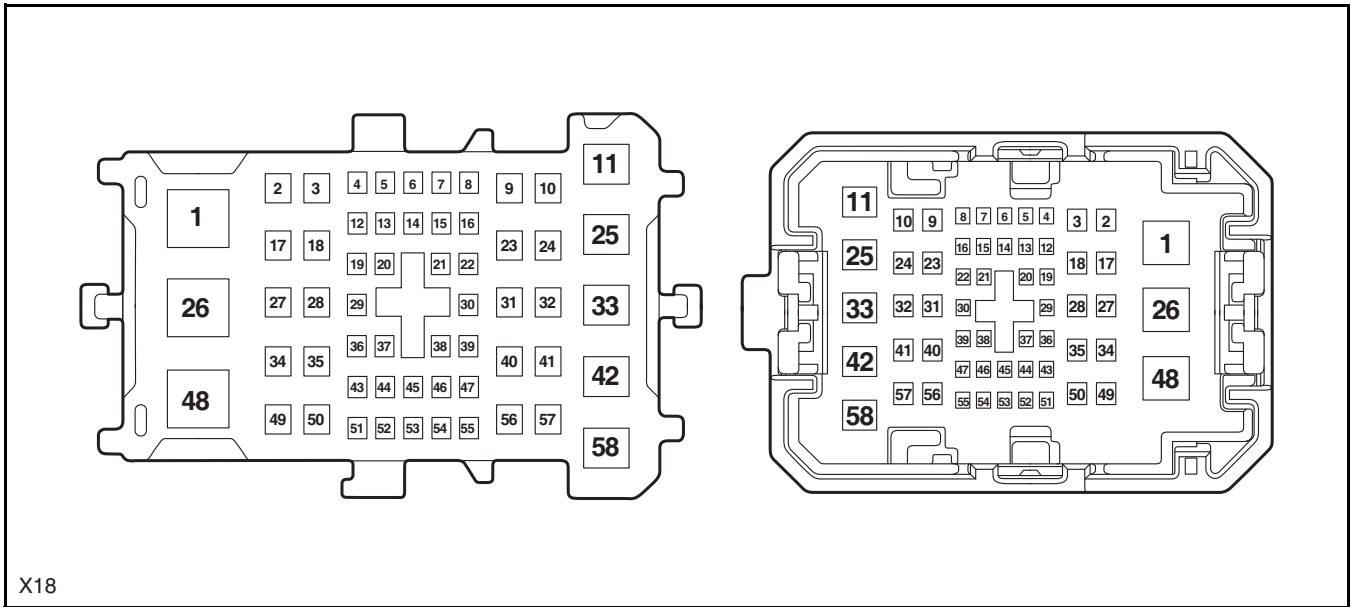
Engine Compartment Wiring Harness to Instrument Panel Wiring Harness (Left 1)



X09

Instrument Panel Wiring Harness to Engine
Compartment Wiring Harness (Right 1)

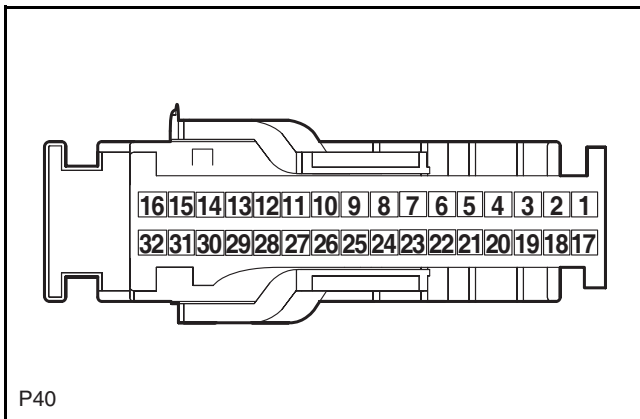
Engine Compartment Wiring Harness to Instrument
Panel Wiring Harness (Right 1)



X18

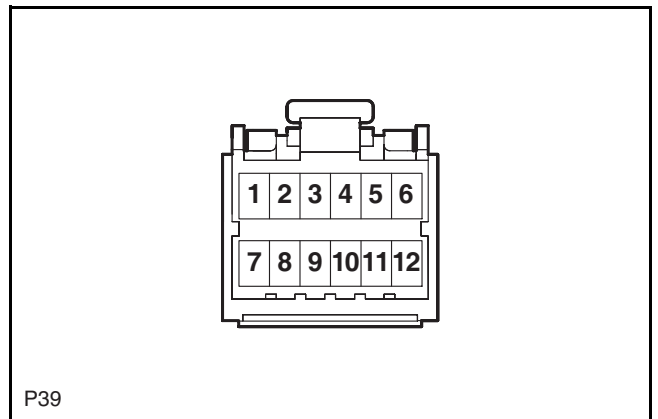
Automatic A/C Controller 1

Automatic A/C Controller 2



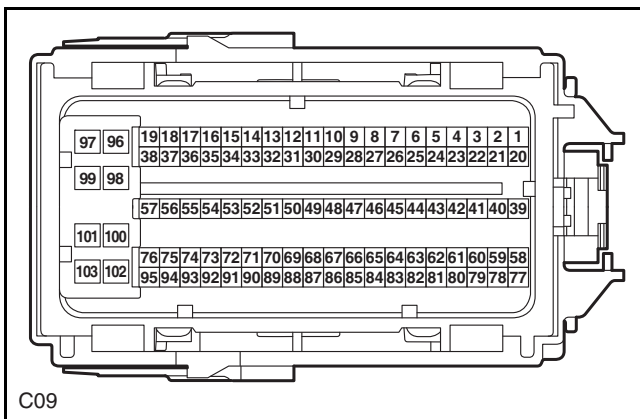
P40

ECU-B

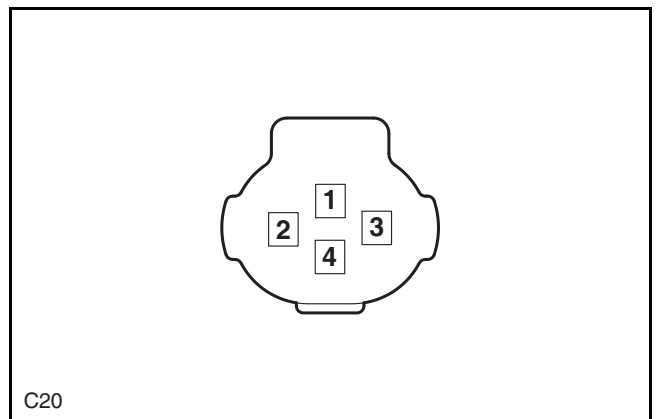


P39

Refrigerant Pressure Sensor

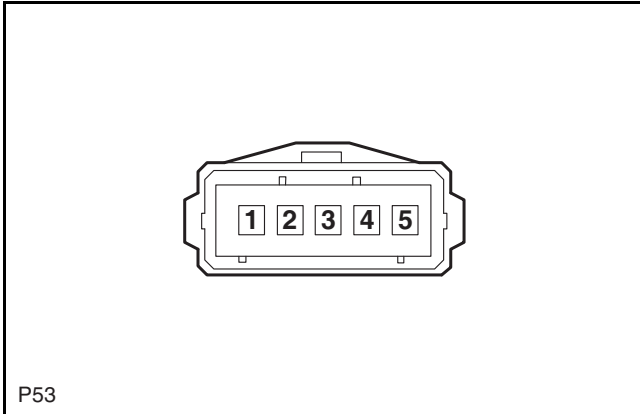


C09

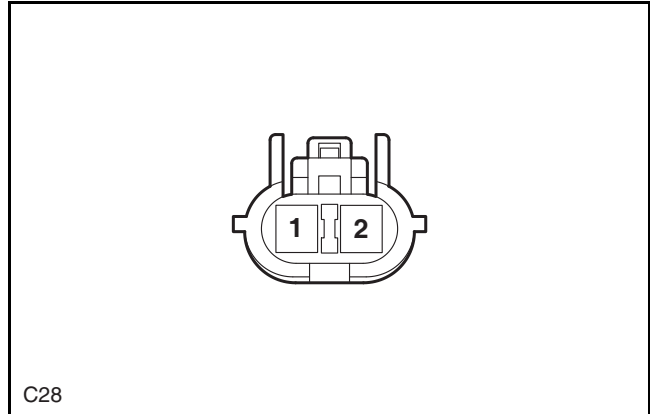


C20

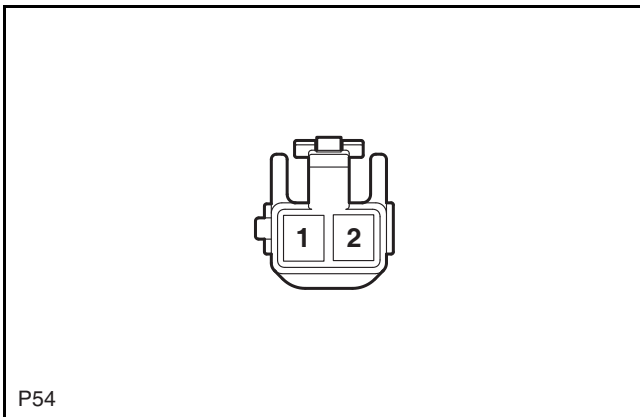
Front A/C Driver Side Air Mix Servo Motor



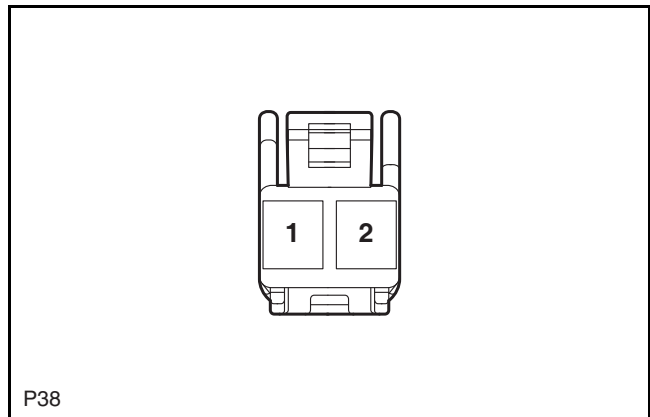
Outside Temperature Sensor



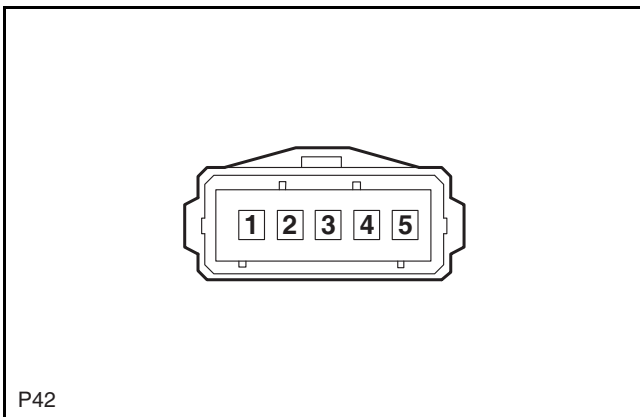
Room Temperature Sensor



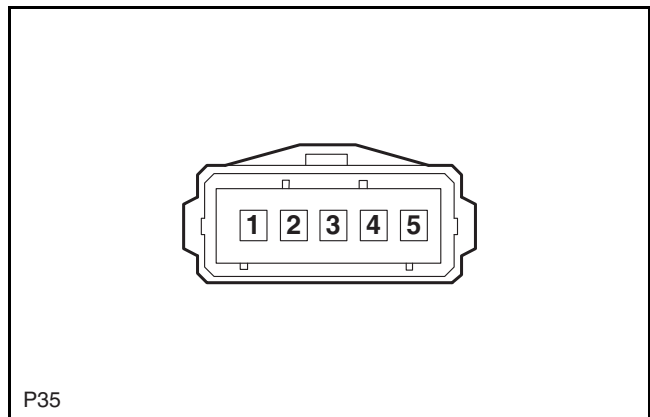
Front A/C Evaporator Surface Temperature Sensor



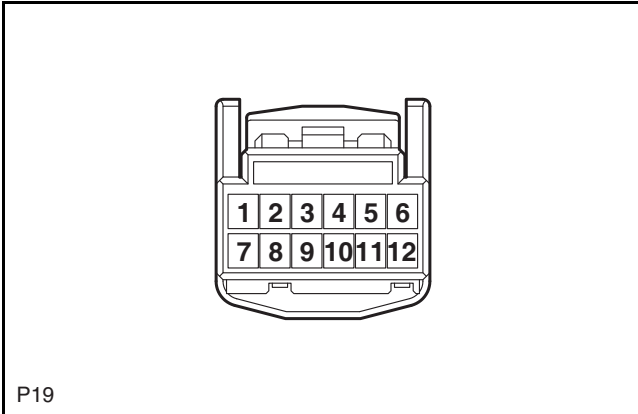
Front A/C Inner and Outer Recirculation Servo Motor



Front A/C Mode Servo Motor

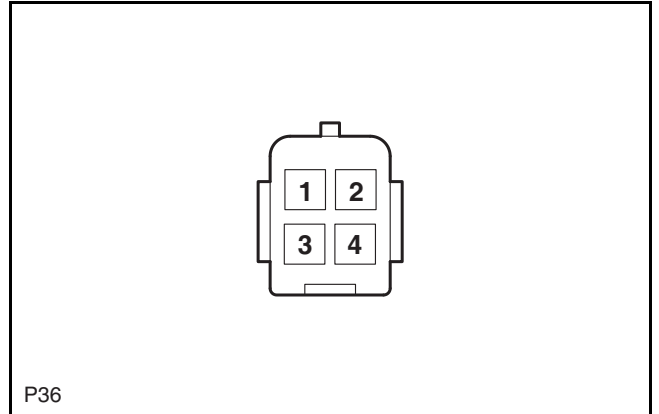


Central Control Display



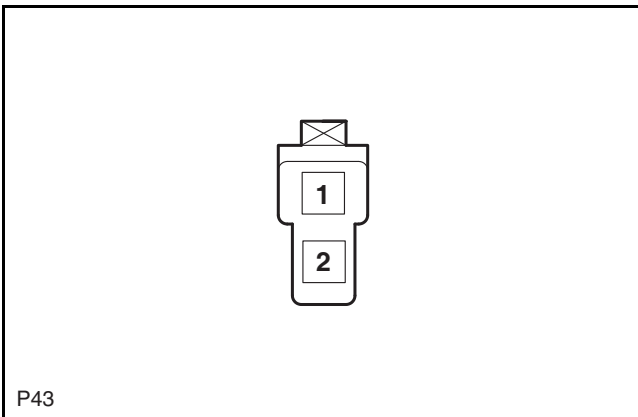
P19

Front A/C Passenger Side Air Mix Servo Motor



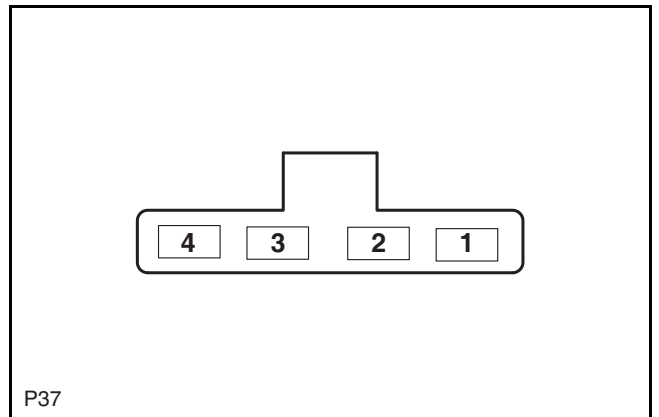
P36

Front A/C Blower



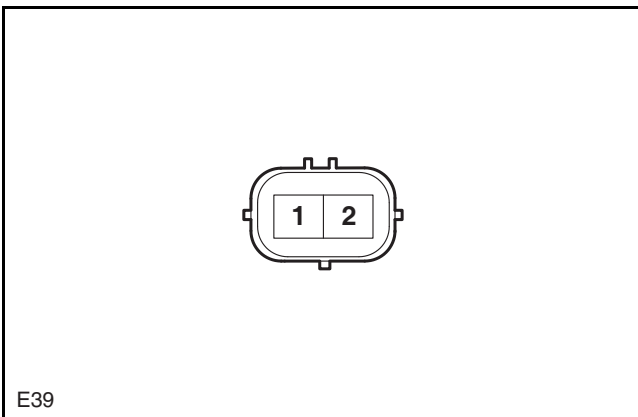
P43

Front A/C Speed Regulation Module



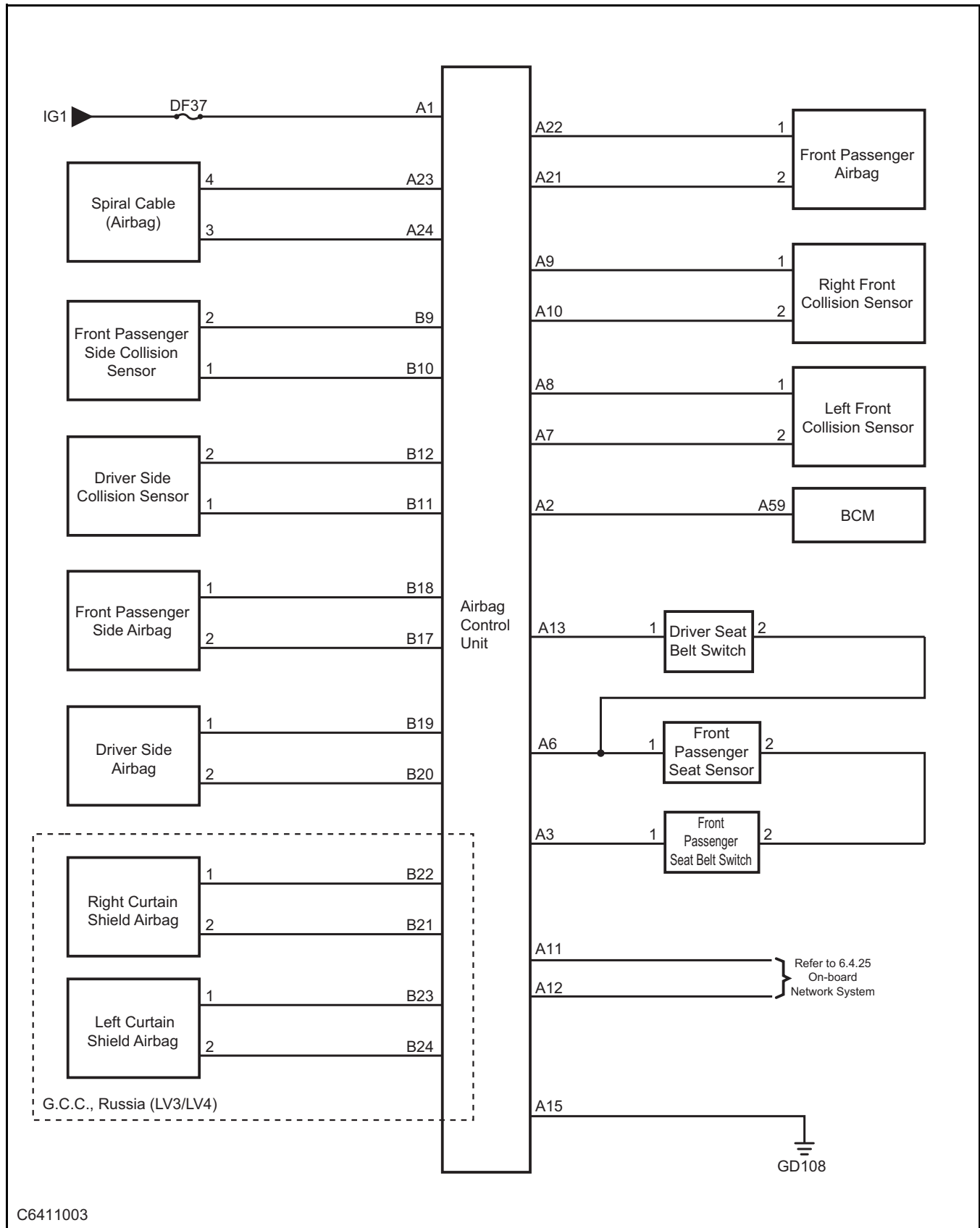
P37

Compressor Clutch

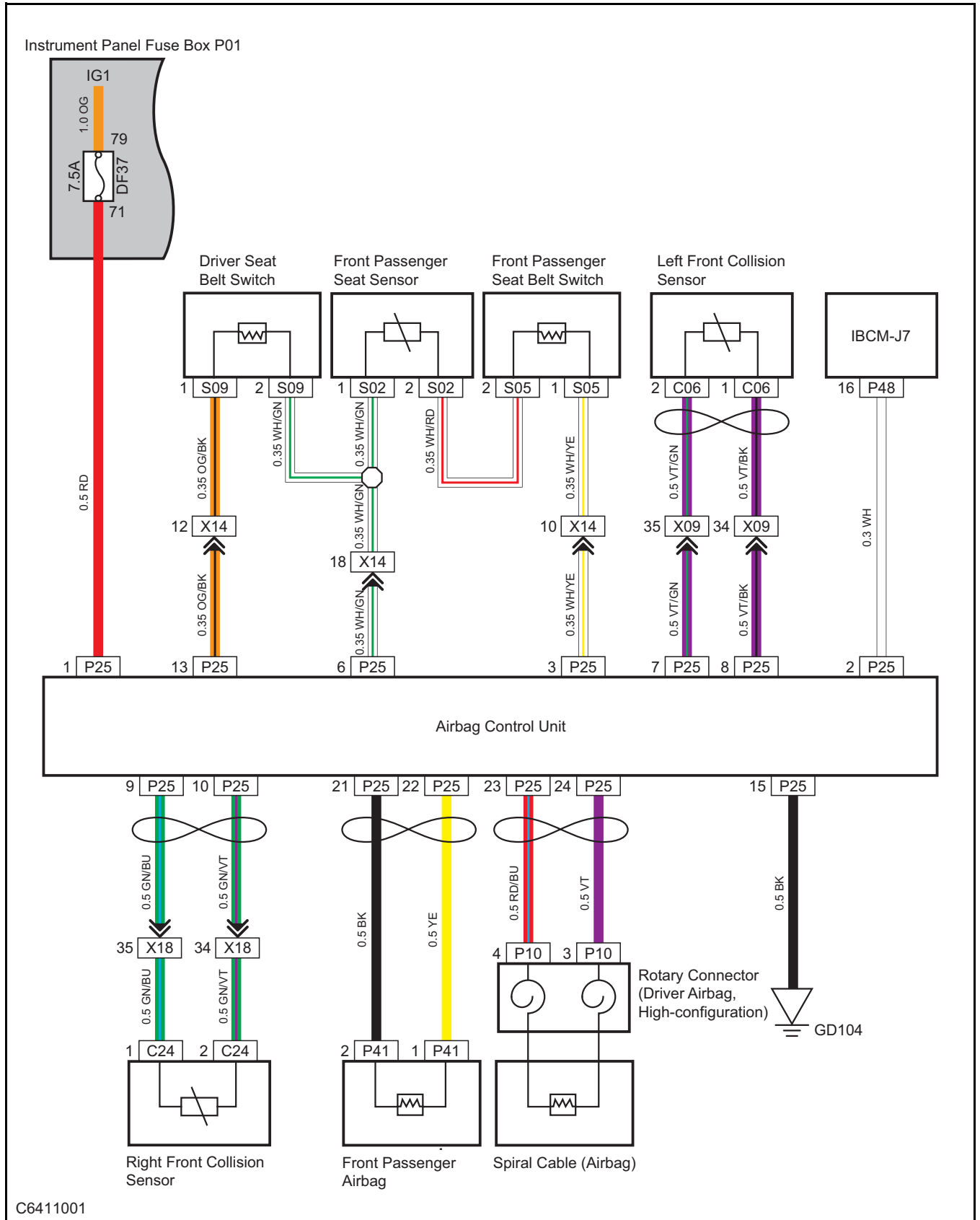


E39

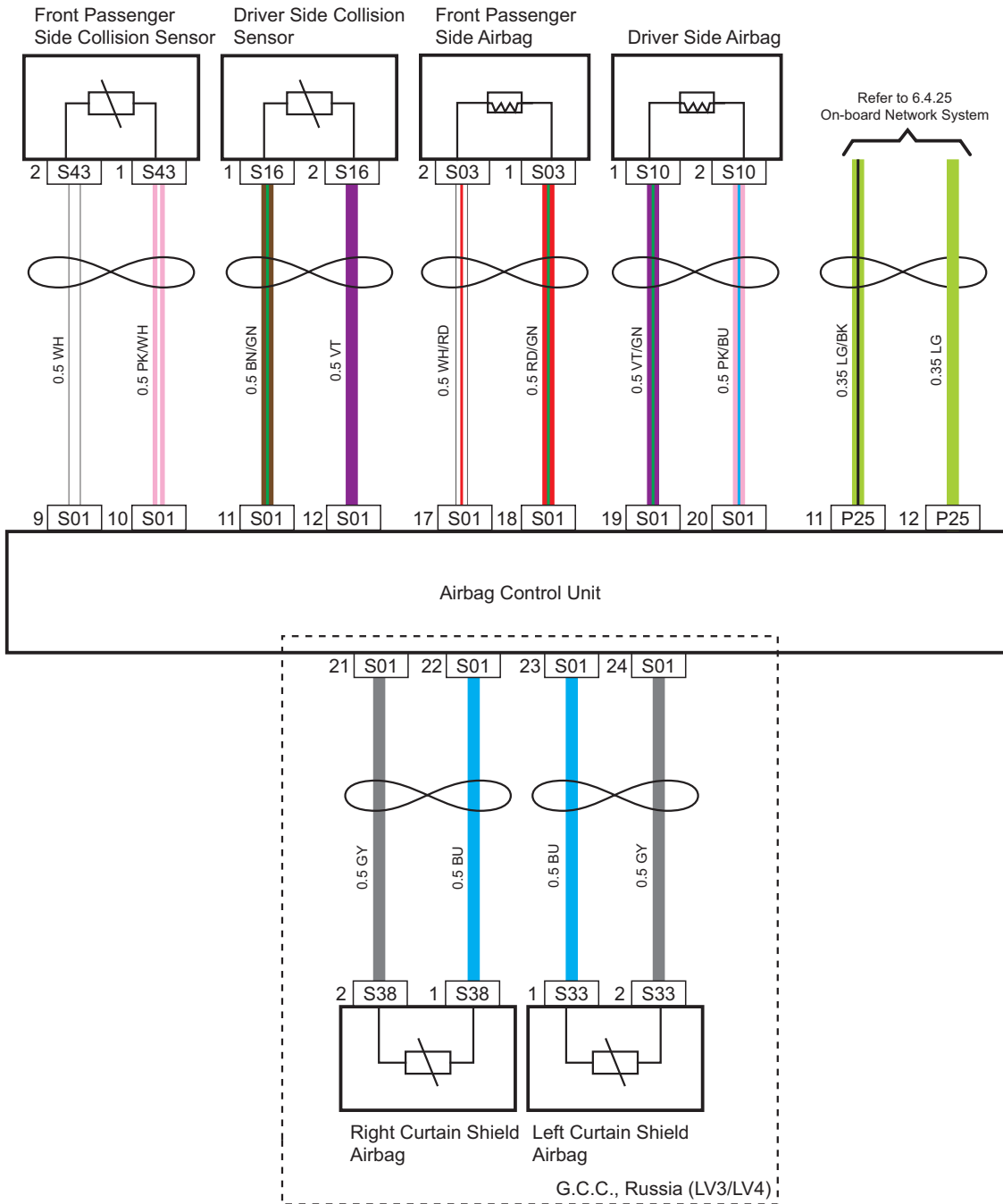
Airbag Restraint System



Power Supply/Seat Sensor/Seat Belt Switch/Frontal Collision Sensor/Driver/ Front Passenger Airbag

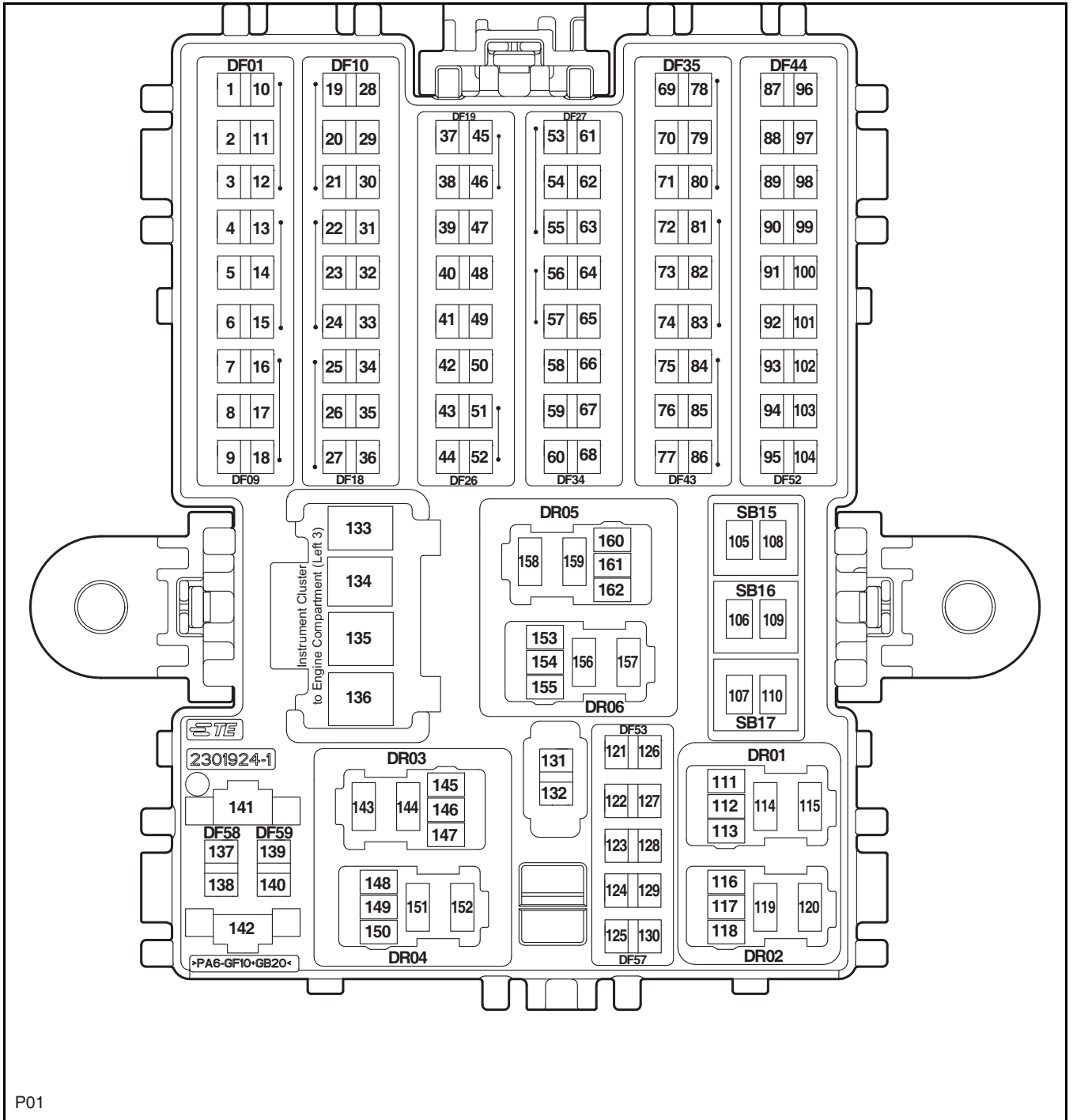


Side Collision Sensor/Driver/Front Passenger Airbag/Air Curtain



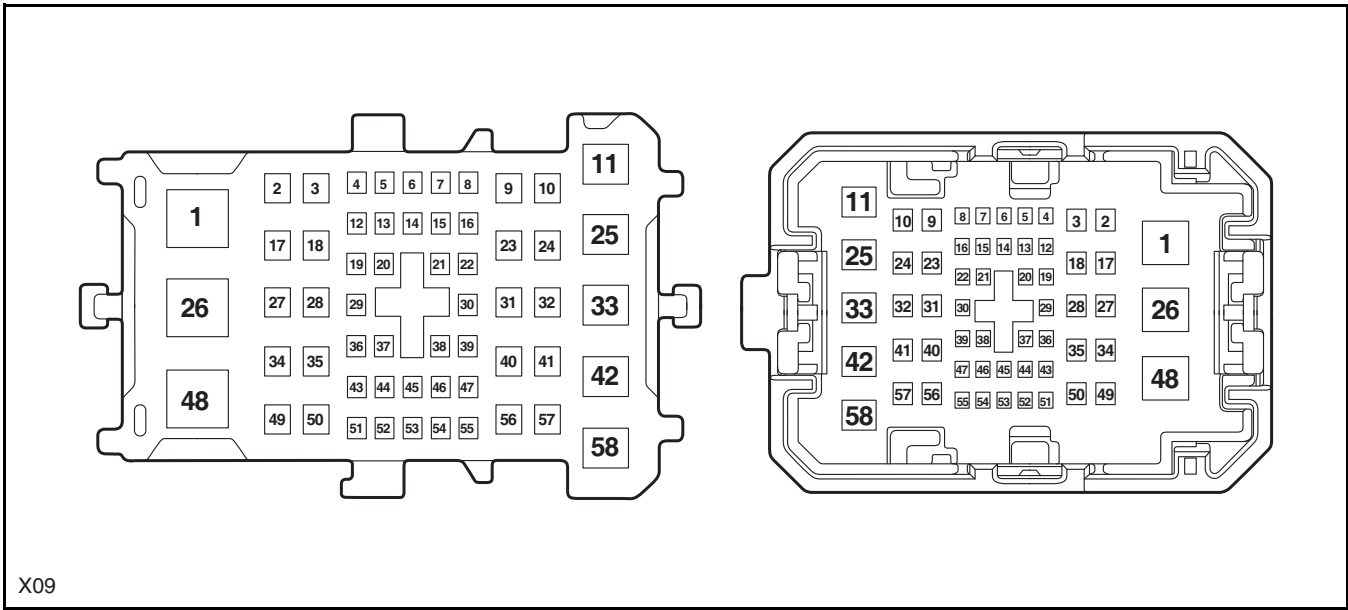
C6411002

Instrument Panel Fuse Box



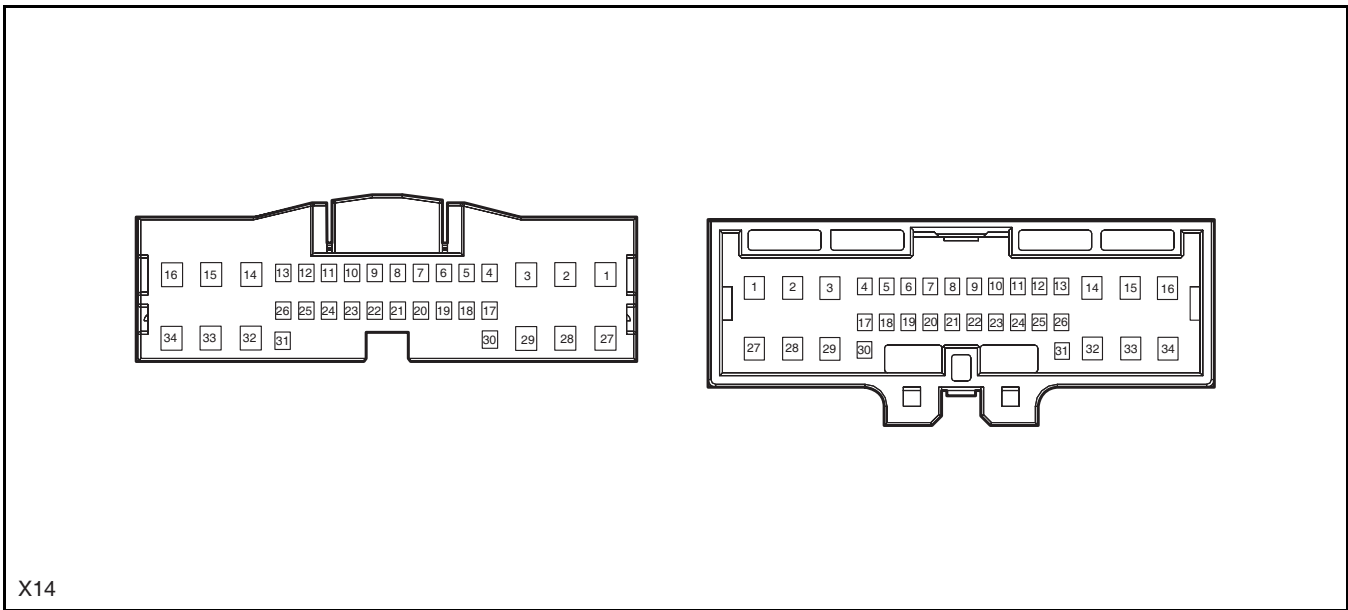
Instrument Panel Wiring Harness to Engine Compartment Wiring Harness (Left 1)

Engine Compartment Wiring Harness to Instrument Panel Wiring Harness (Left 1)



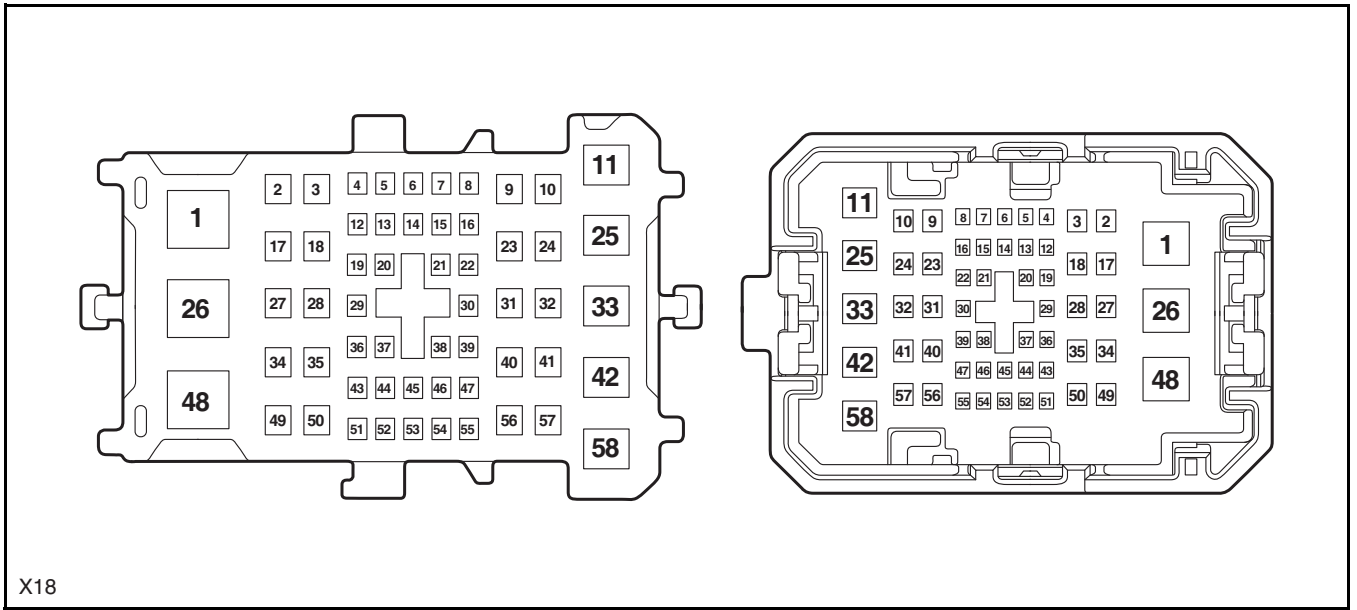
Instrument Panel Wiring Harness to Chassis Wiring Harness (Center)

Chassis Wiring Harness to Instrument Panel Wiring Harness (Center)



Instrument Panel Wiring Harness to Engine
Compartment Wiring Harness (Right 1)

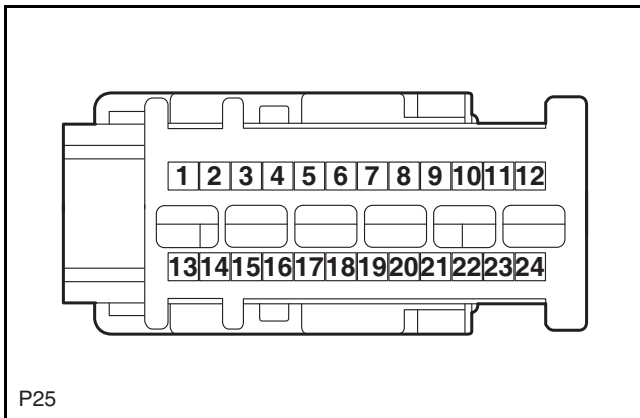
Engine Compartment Wiring Harness to Instrument
Panel Wiring Harness (Right 1)



X18

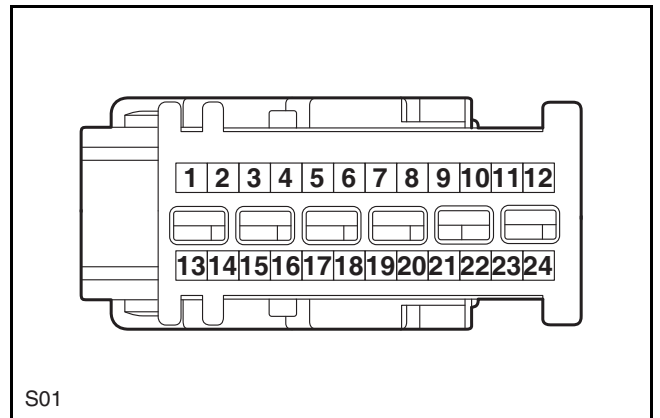
Airbag Control Unit A

Airbag Control Unit B



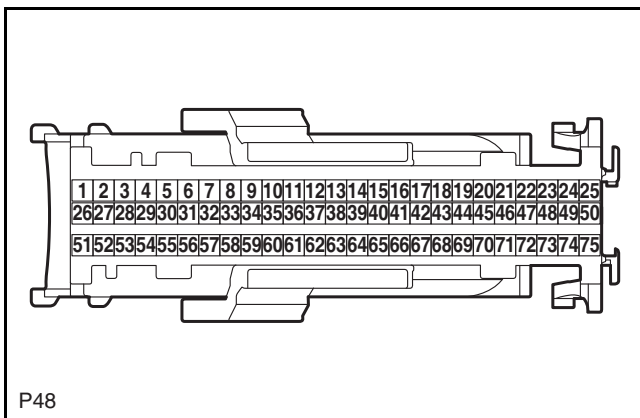
P25

IBCM-J7

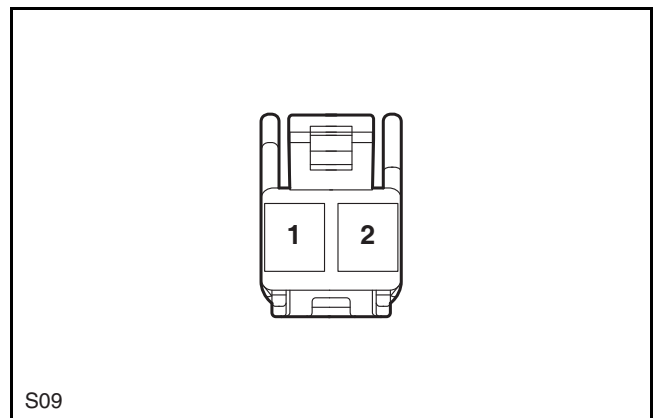


S01

Driver Seat Belt Switch

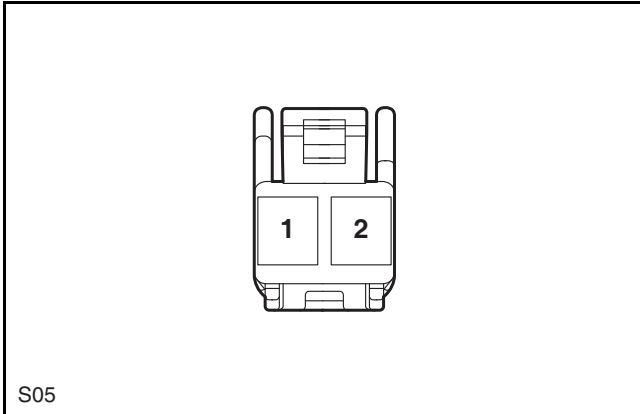


P48

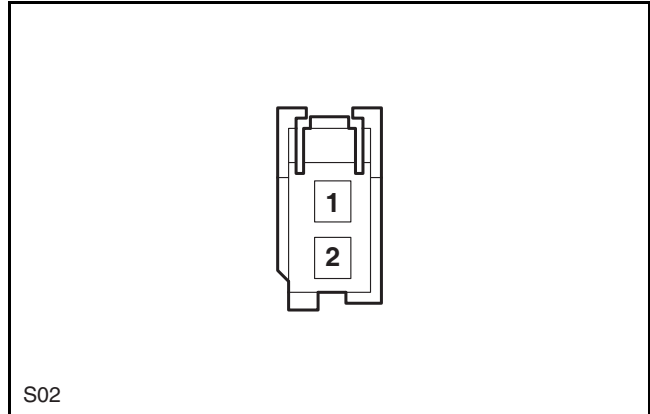


S09

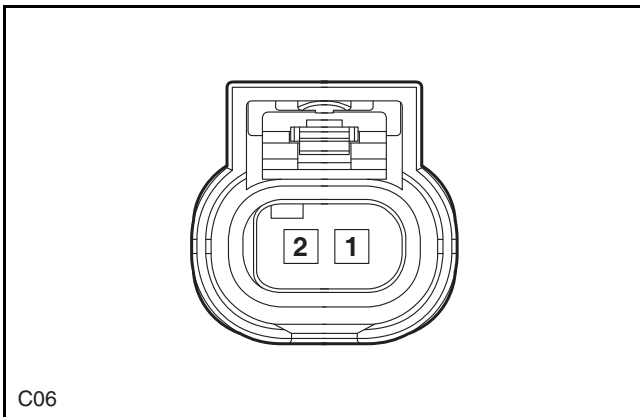
Front Passenger Seat Belt Switch



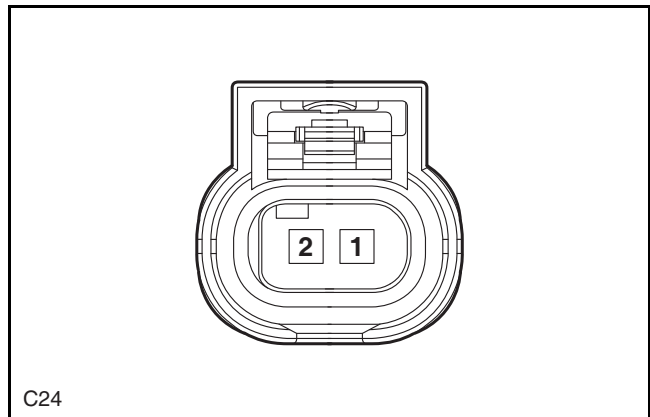
Front Passenger Seat Sensor



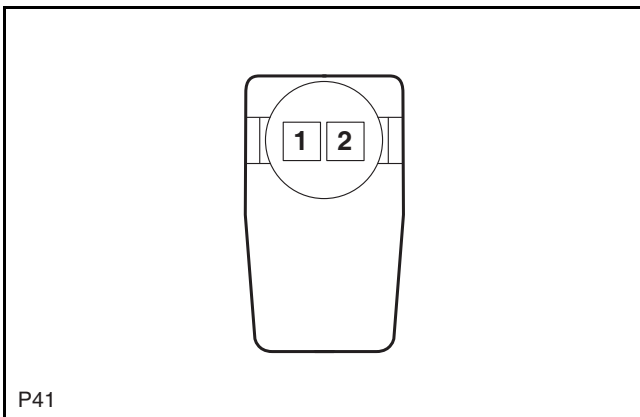
Left Front Collision Sensor



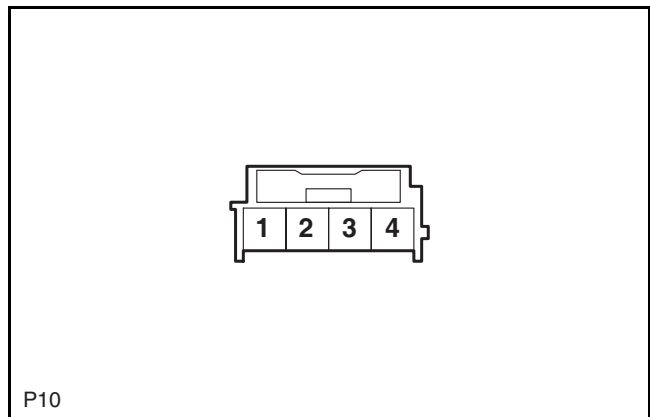
Right Front Collision Sensor



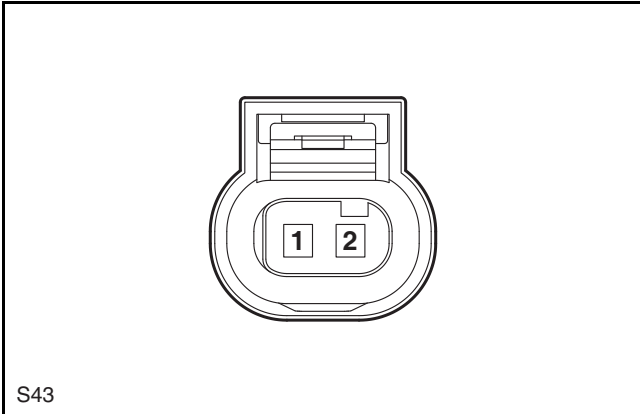
Front Passenger Airbag



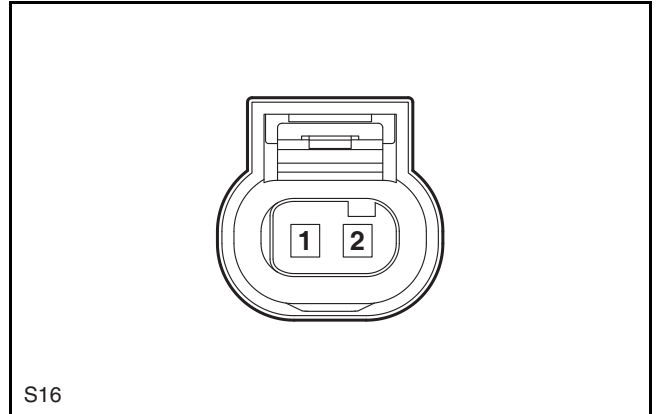
Rotary Connector (Driver Airbag, High-configuration)



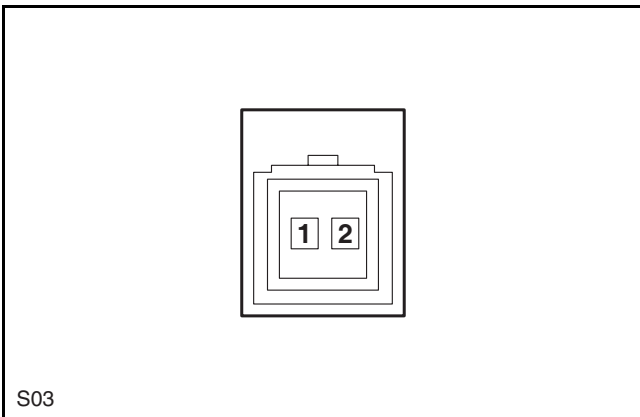
Front Passenger Side Collision Sensor



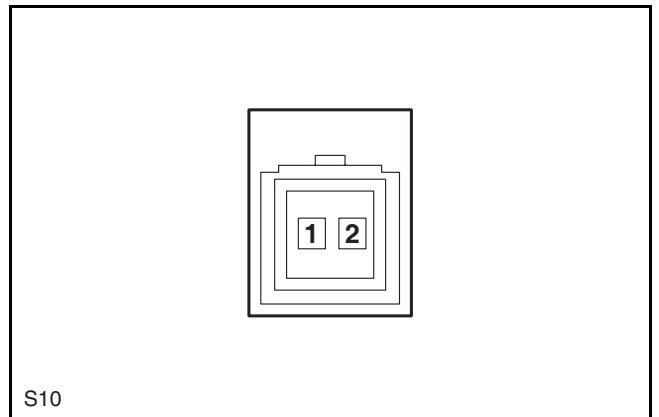
Driver Side Collision Sensor



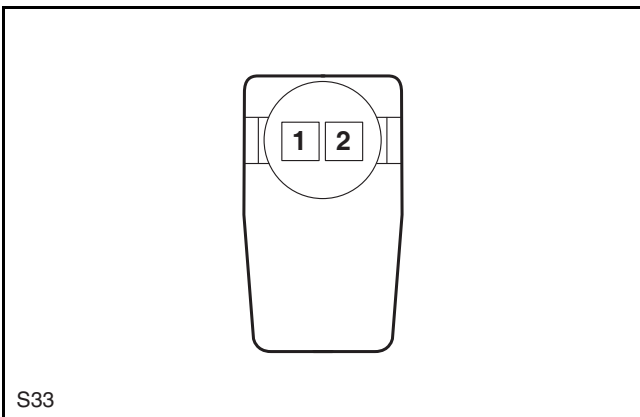
Front Passenger Side Airbag



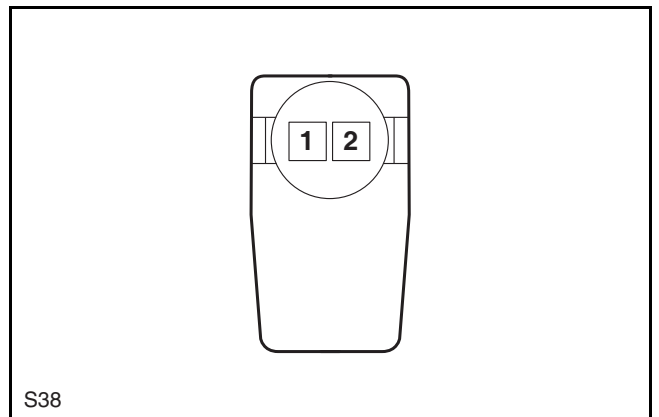
Driver Side Airbag



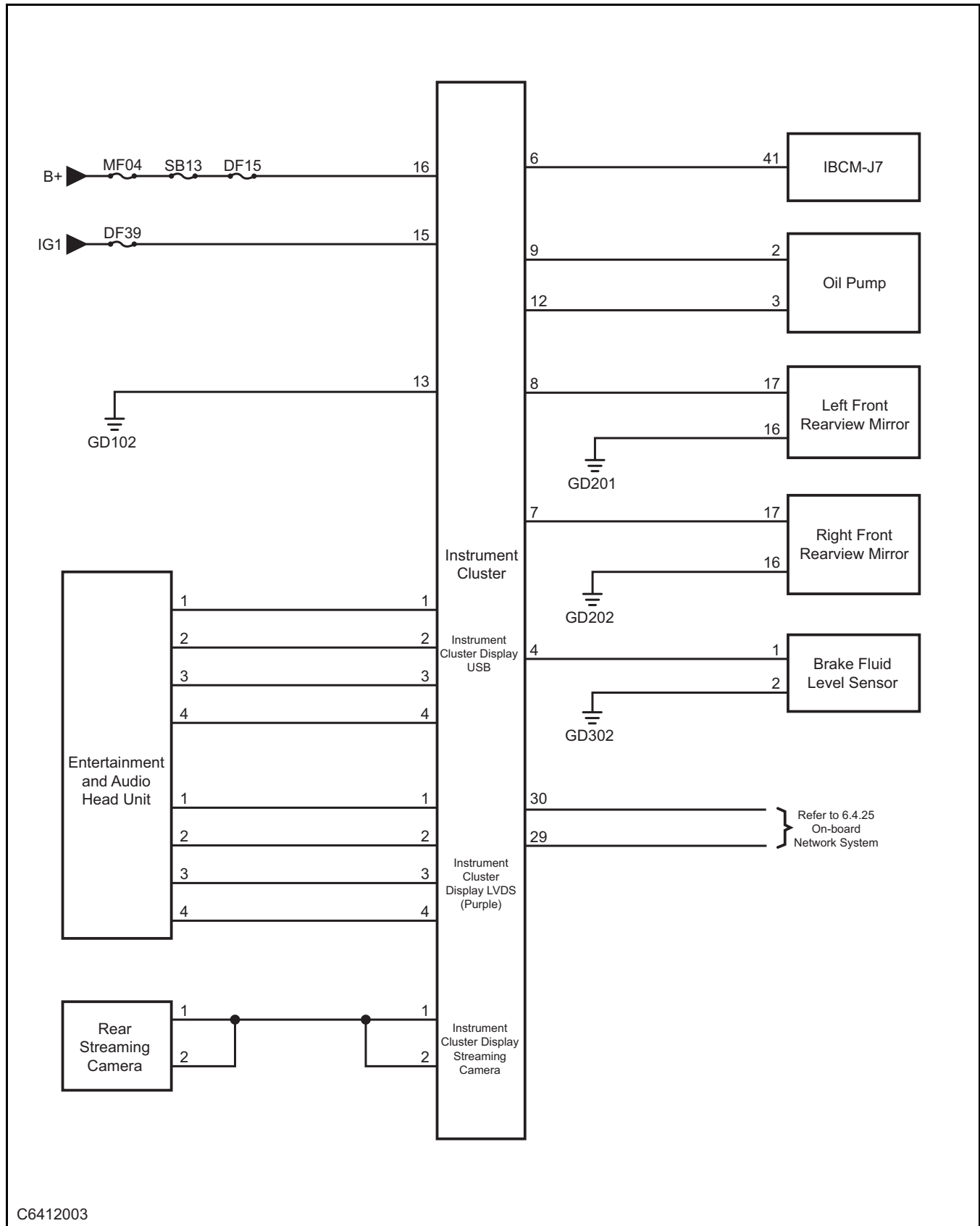
Left Curtain Shield Airbag



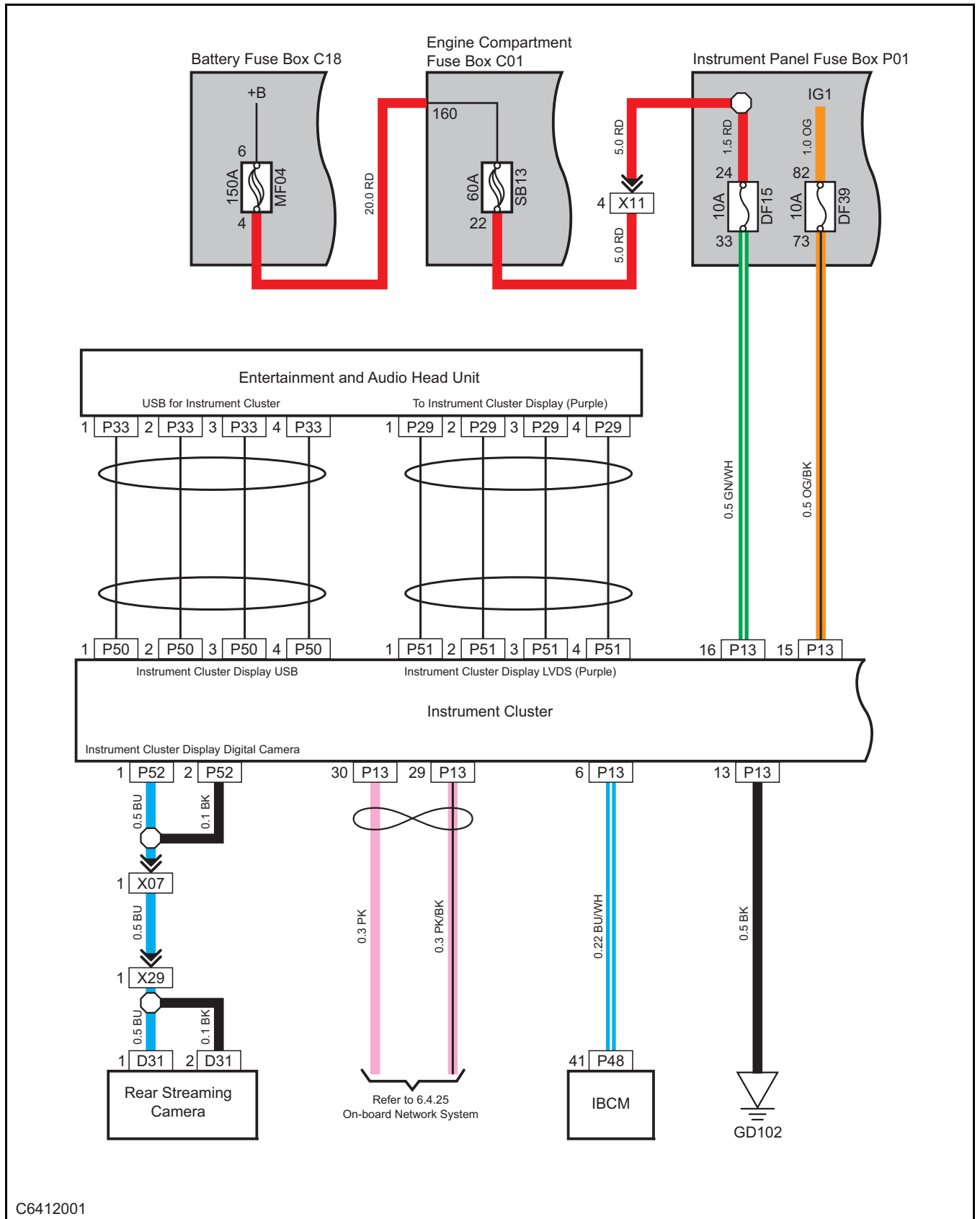
Right Curtain Shield Airbag



Instrument Cluster

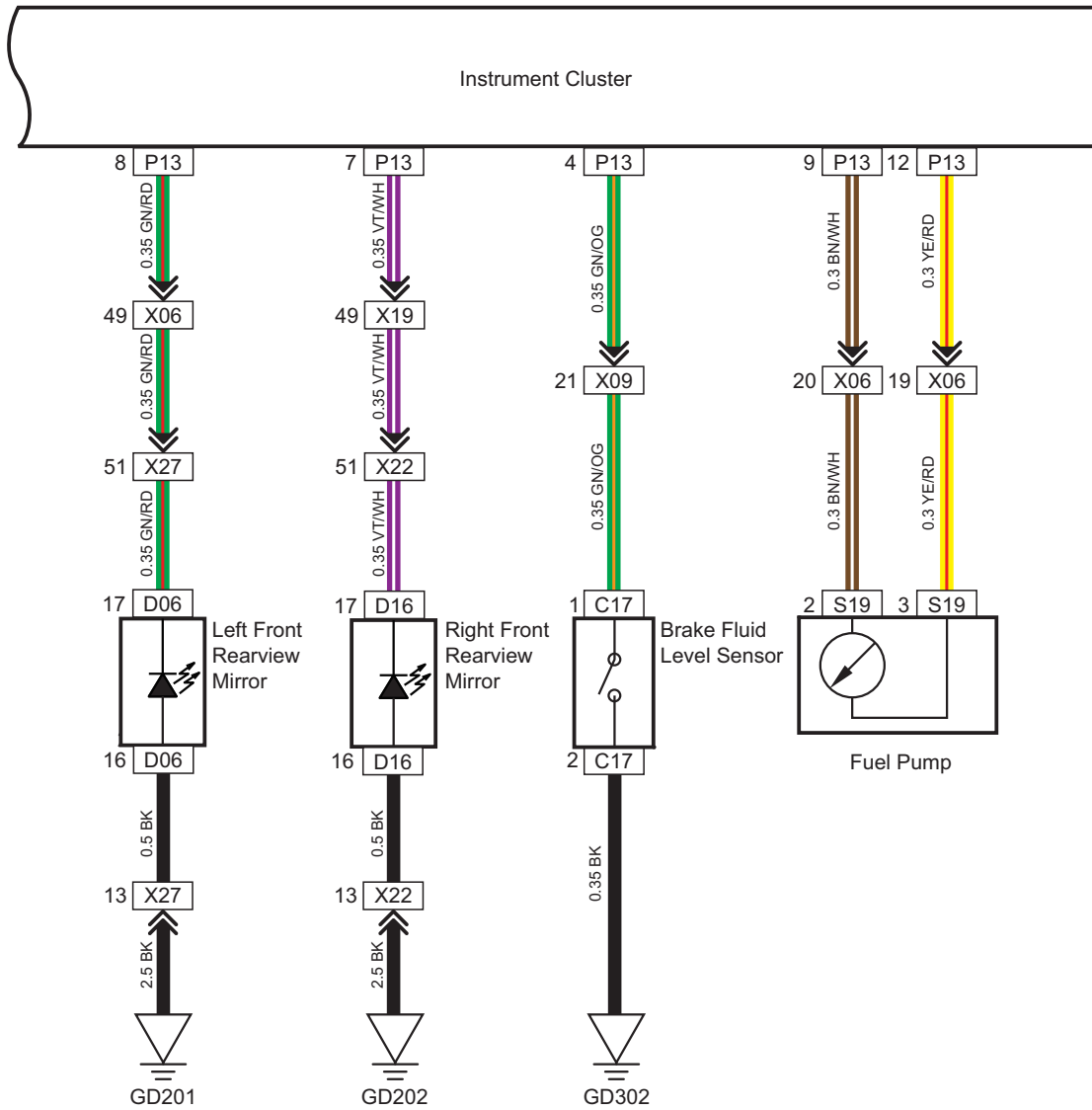


Power Supply



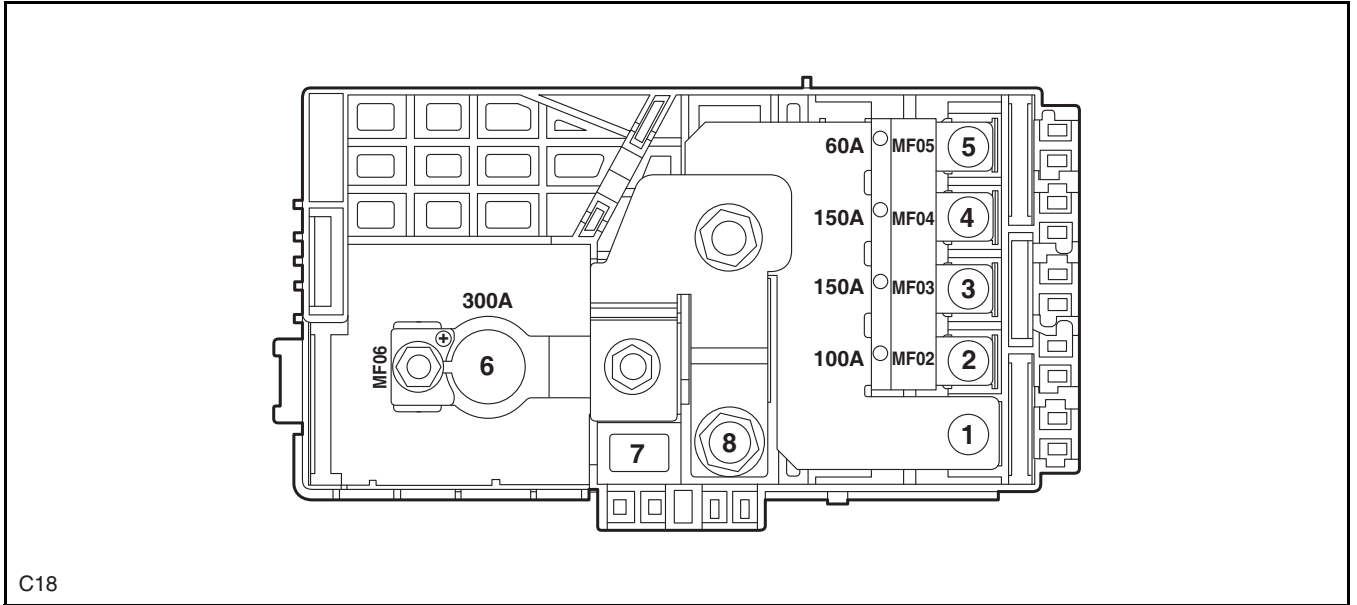
C6412001

Blind Spot Indicator/Brake Fluid Level Sensor/Fuel Level Sensor



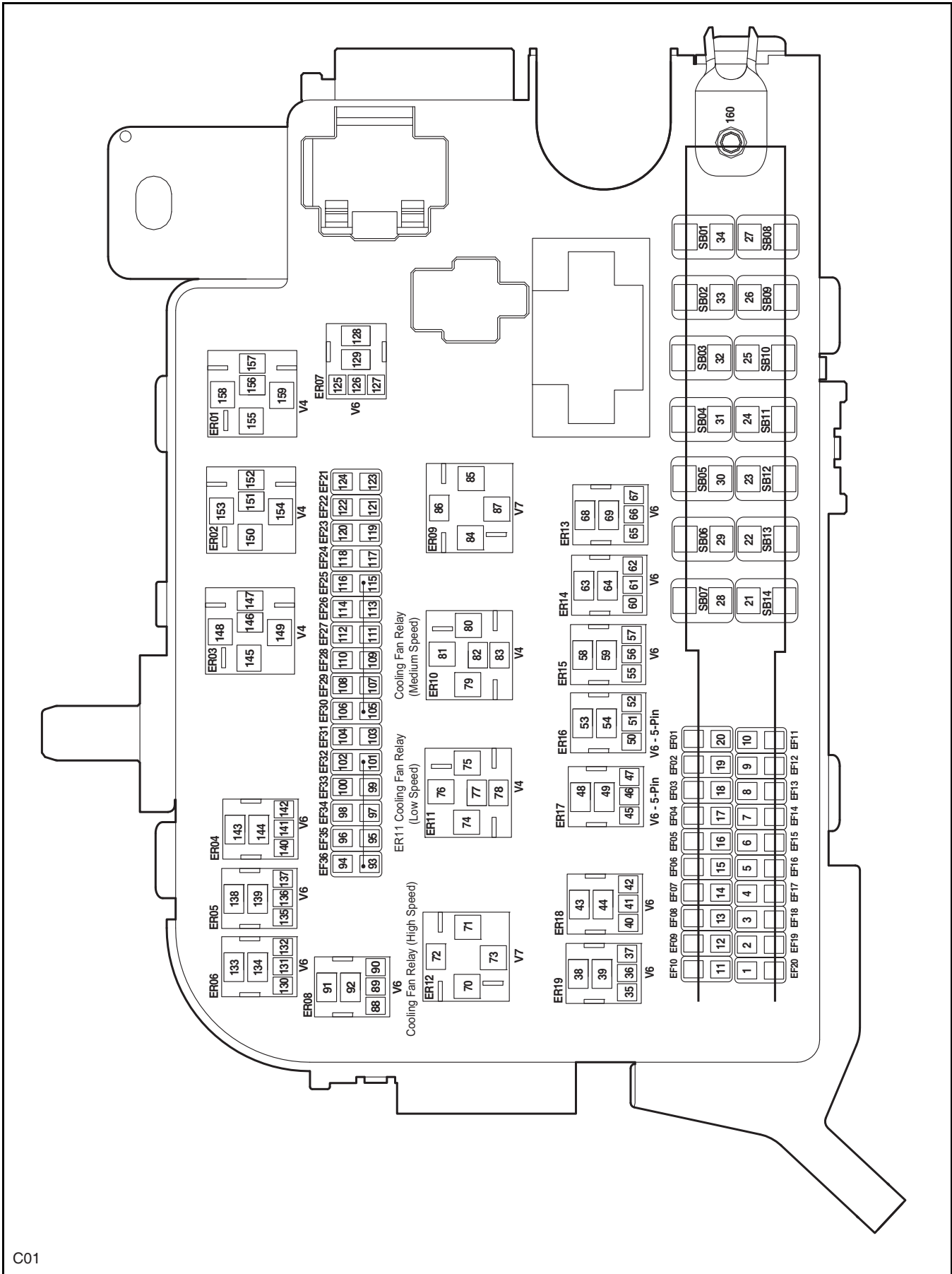
C6412002

Battery Fuse Box



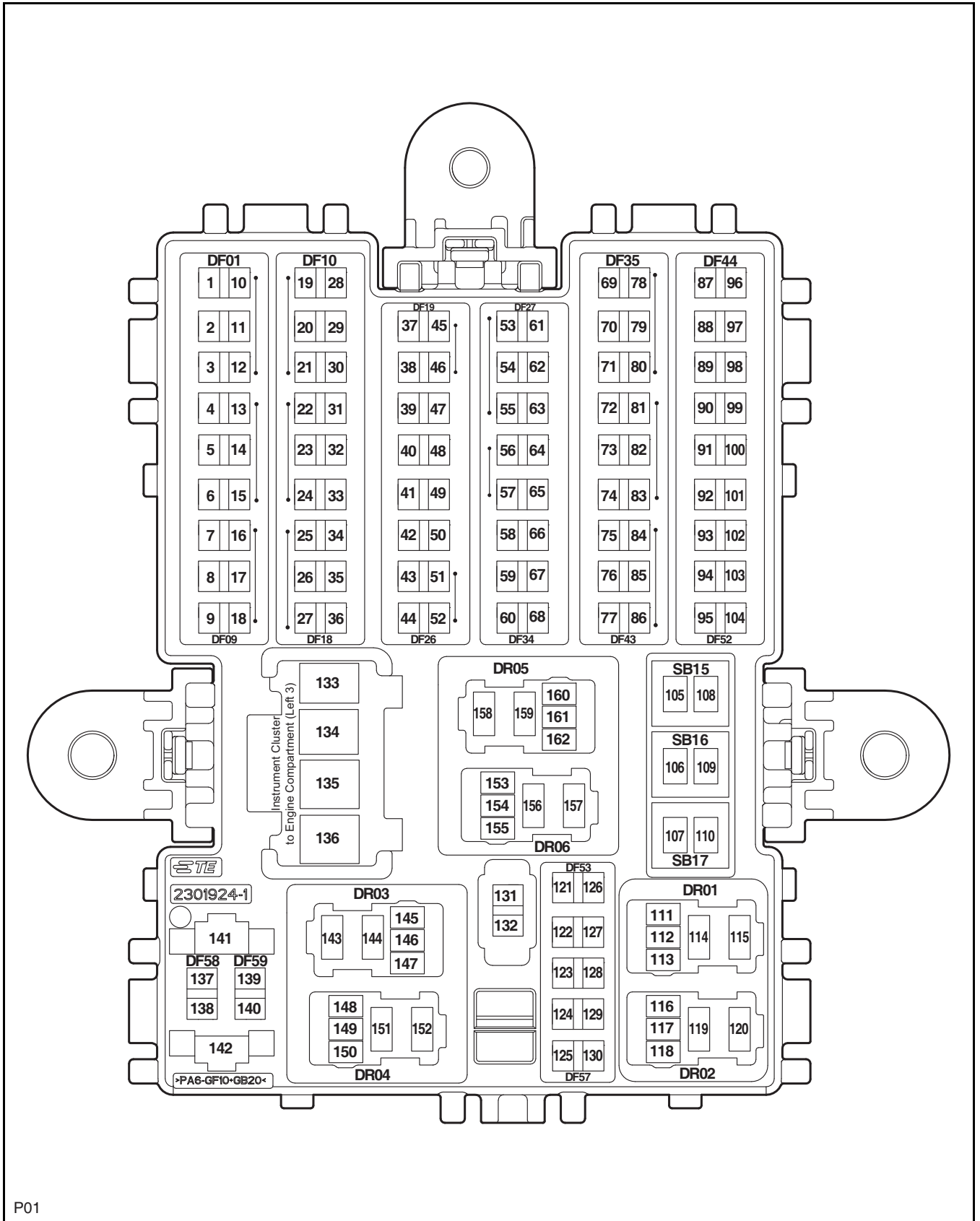
C18

Engine Compartment Fuse Box



C01

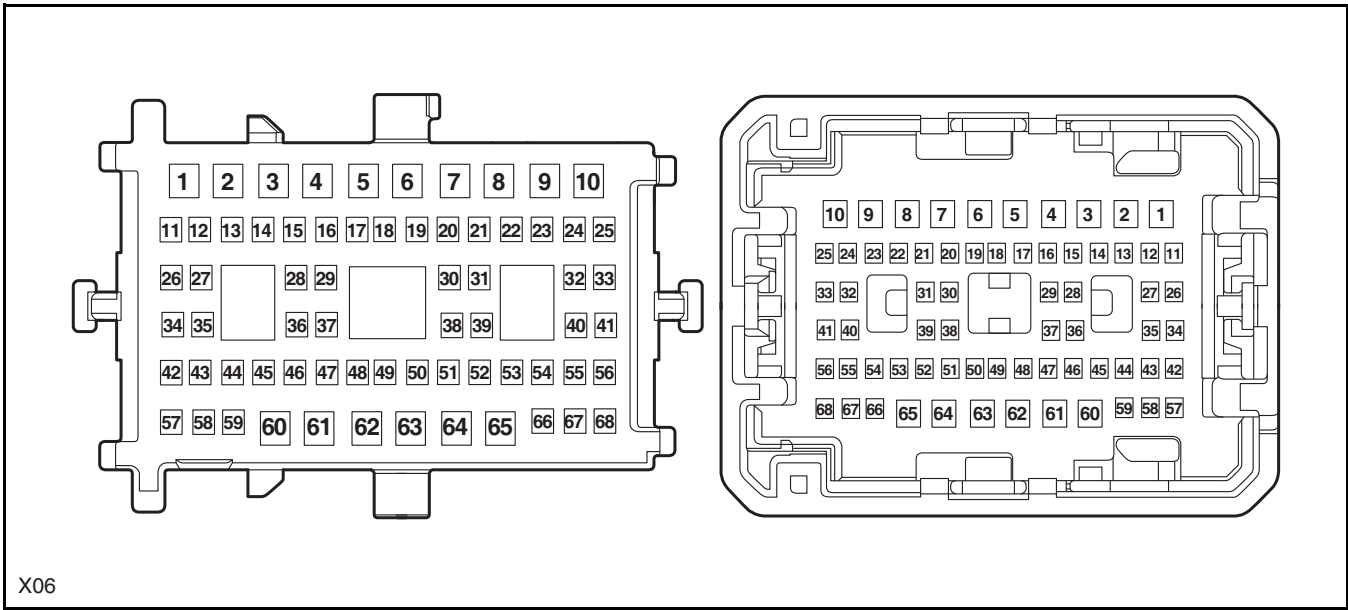
Instrument Panel Fuse Box



P01

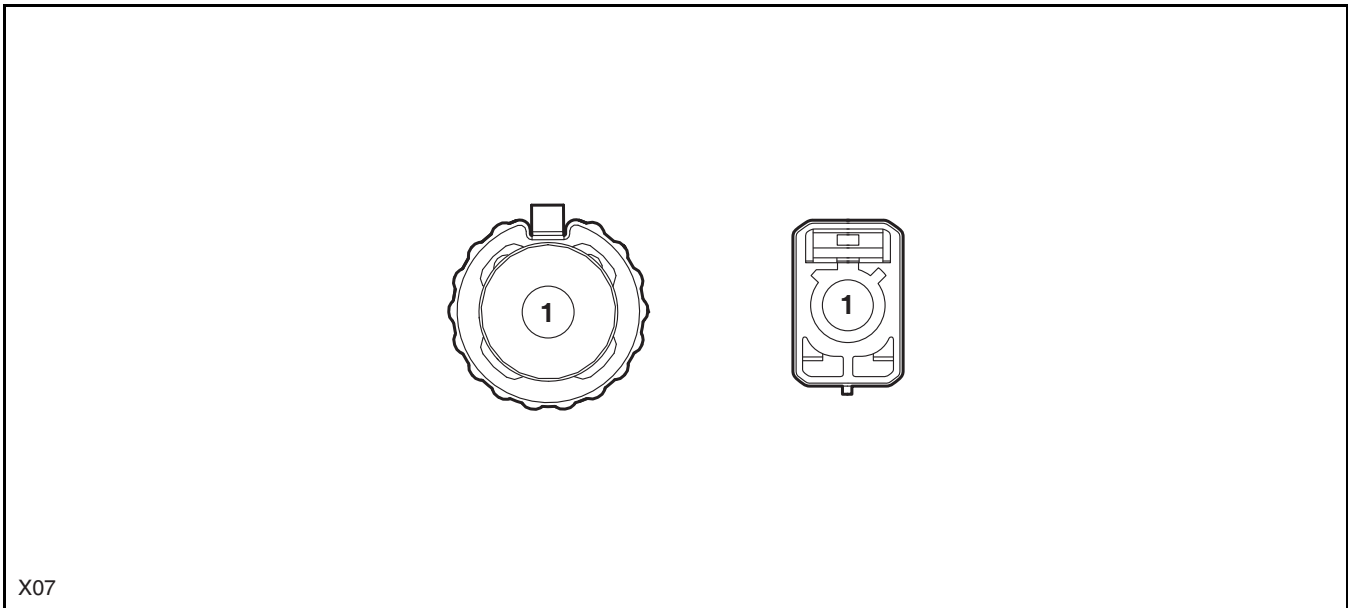
Instrument Panel Wiring Harness to Chassis Wiring Harness (Left 1)

Chassis Wiring Harness to Instrument Panel Wiring Harness (Left 1)



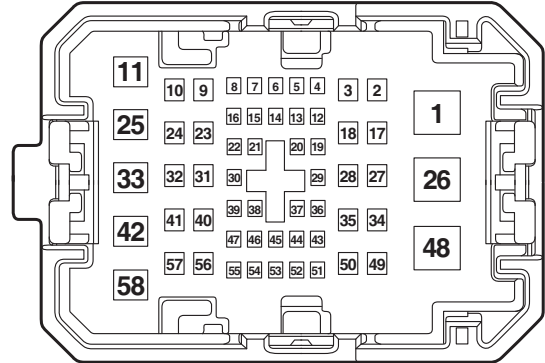
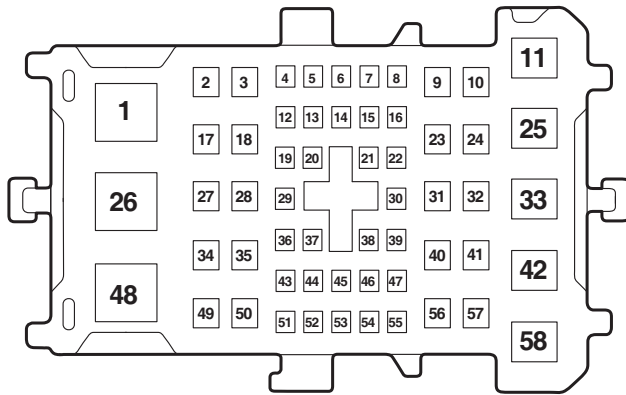
Instrument Panel Wiring Harness to Chassis Wiring Harness (Digital Camera)

Chassis Wiring Harness to Instrument Panel Wiring Harness (Digital Camera)



Instrument Panel Wiring Harness to Engine Compartment Wiring Harness (Left 1)

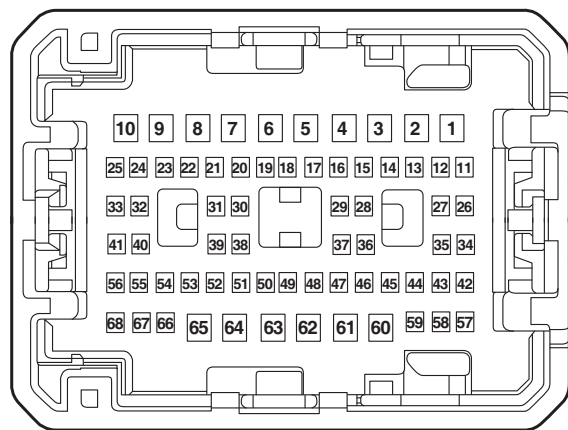
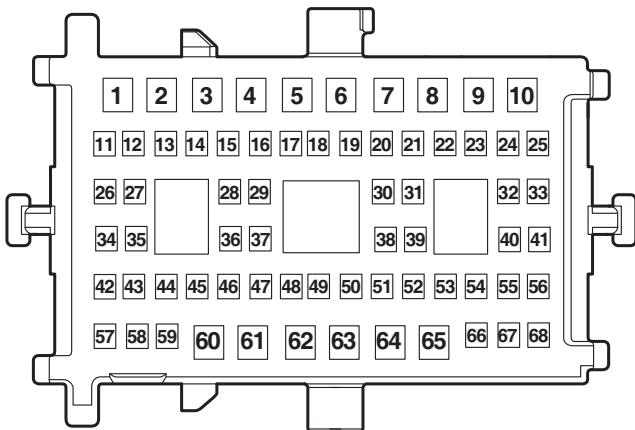
Engine Compartment Wiring Harness to Instrument Panel Wiring Harness (Left 1)



X09

Instrument Panel Wiring Harness to Chassis Wiring Harness (Right 1)

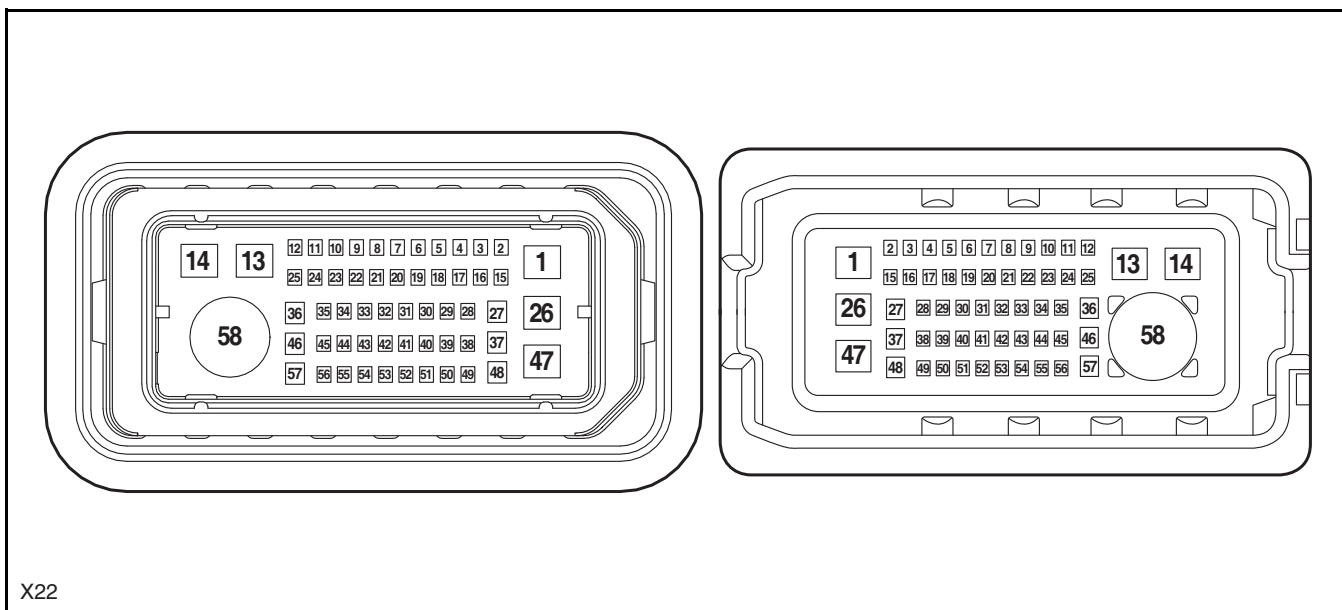
Chassis Wiring Harness to Instrument Panel Wiring Harness (Right 1)



X19

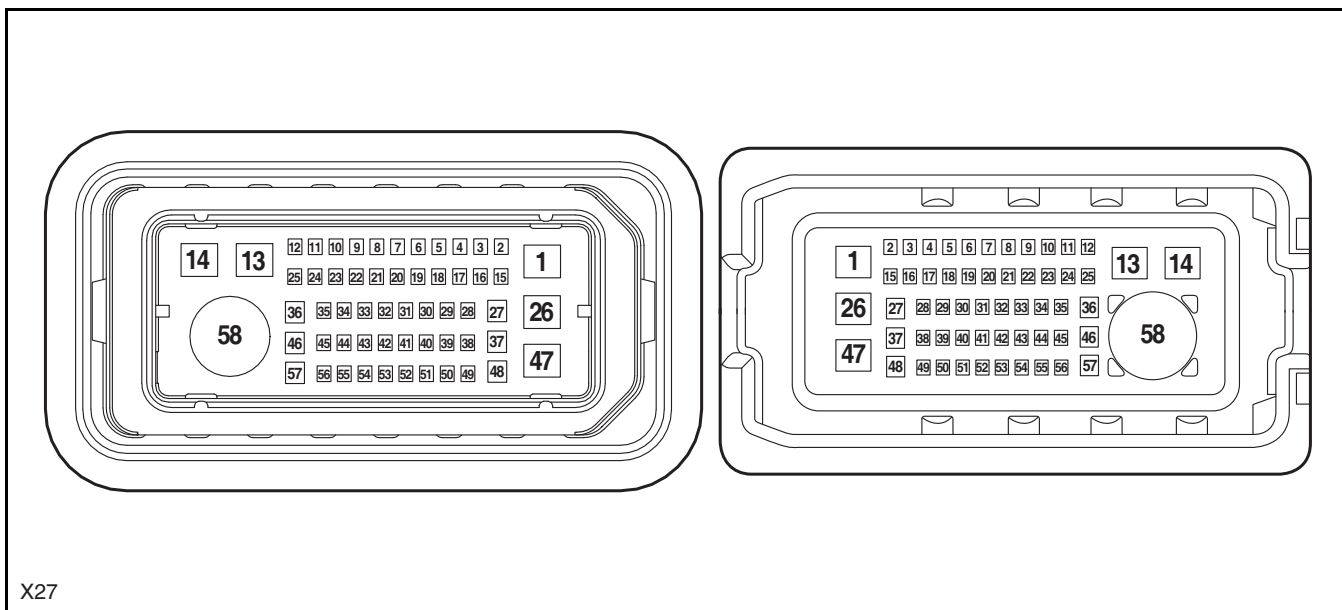
Chassis Wiring Harness to Right Front Door Wiring Harness

Right Front Door Wiring Harness to Chassis Wiring Harness



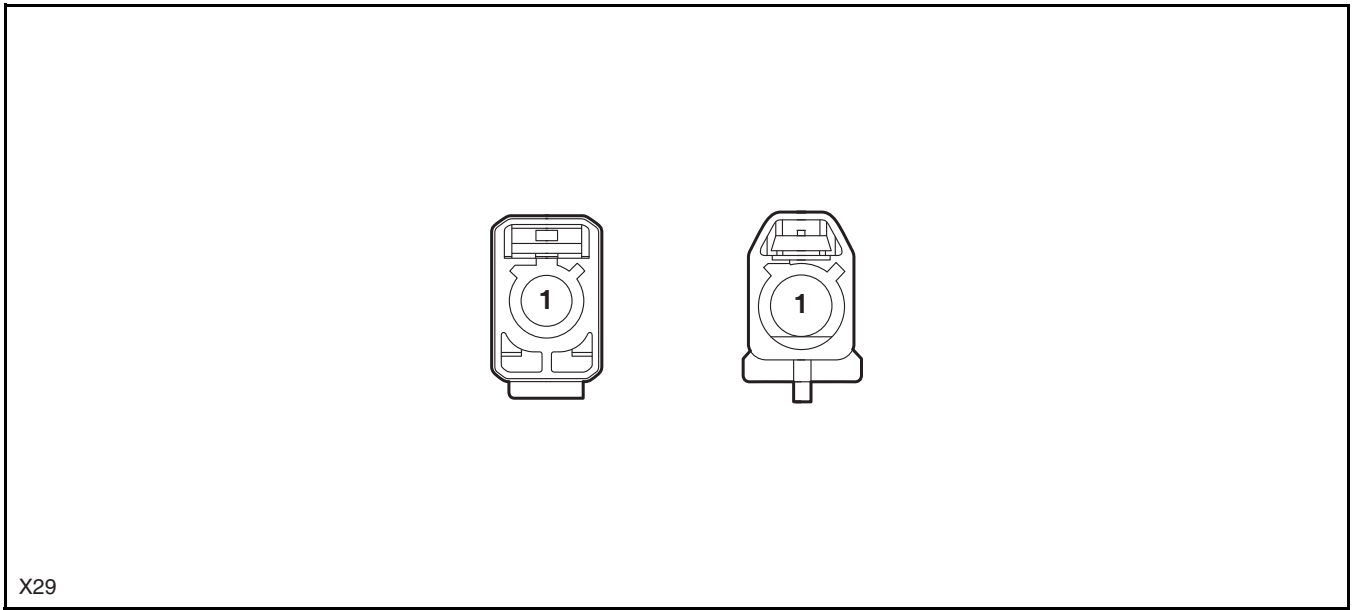
Chassis Wiring Harness to Left Front Door Wiring Harness

Left Front Door Wiring Harness to Chassis Wiring Harness



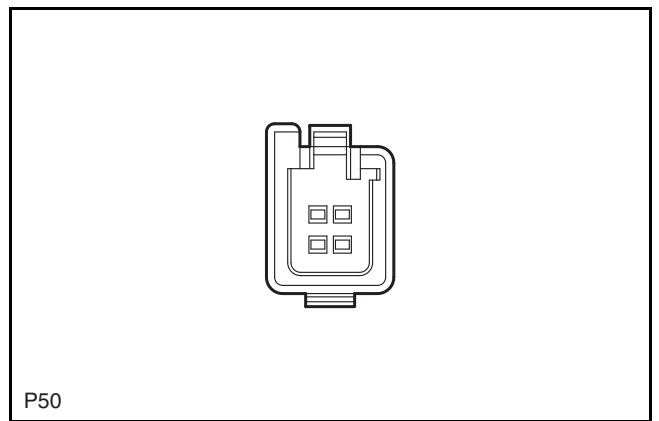
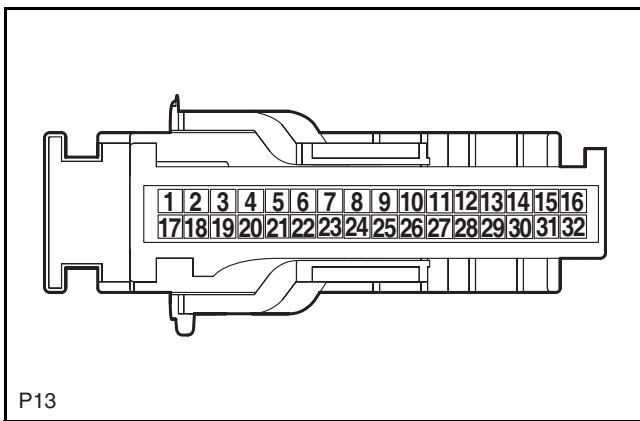
Chassis Wiring Harness to Back Door Wiring Harness
(Digital Camera)

Back Door Wiring Harness to Chassis Wiring Harness
(Digital Camera)



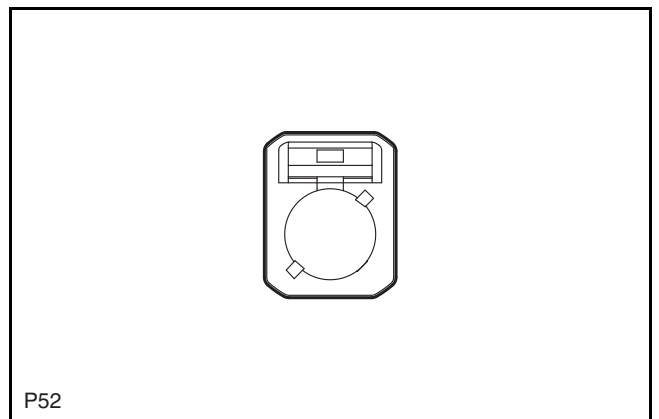
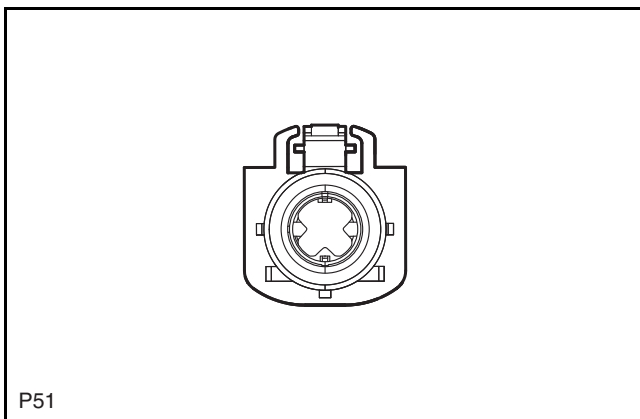
Instrument Cluster Head Unit Controller

Instrument Cluster Display USB

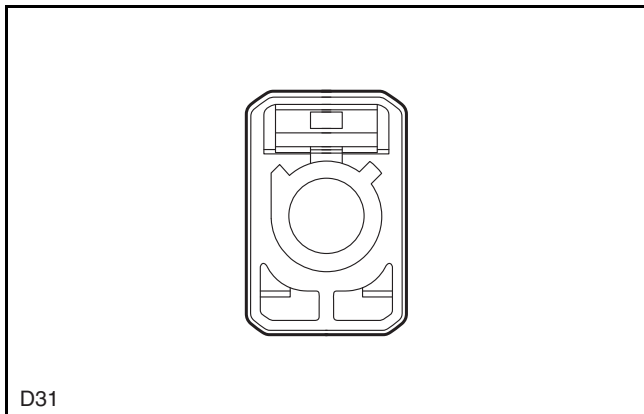


Instrument Cluster LVDS Wire (Violet)

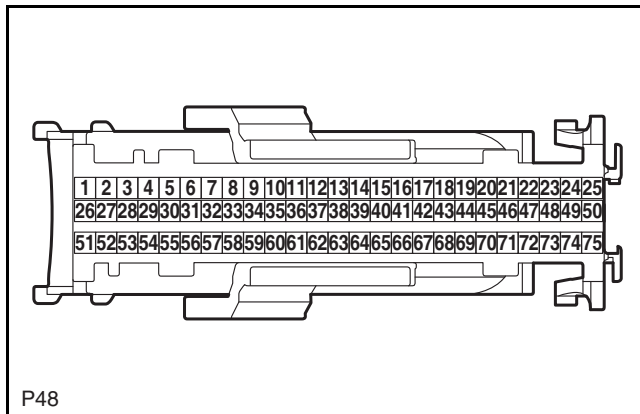
Instrument Cluster Display Digital Camera (Blue)



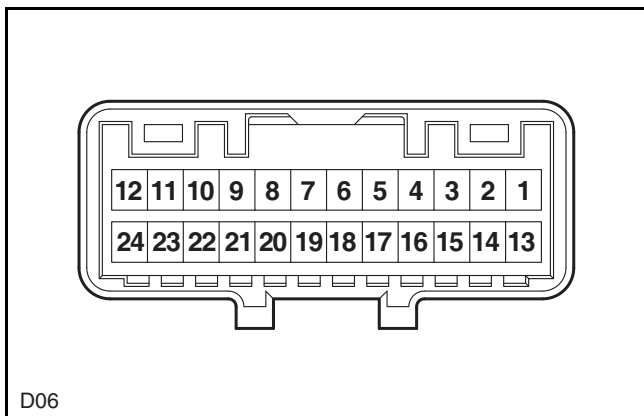
Rear Streaming Camera



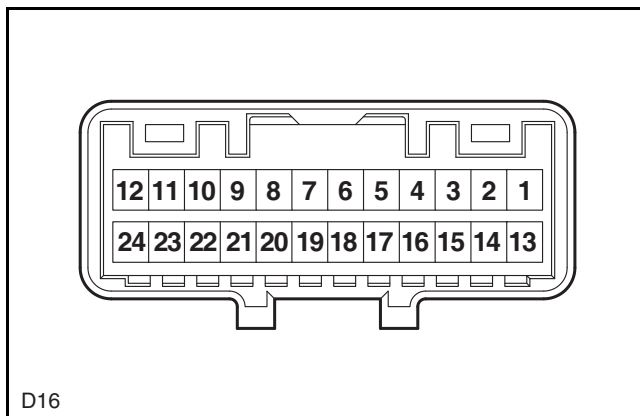
IBCM-J7



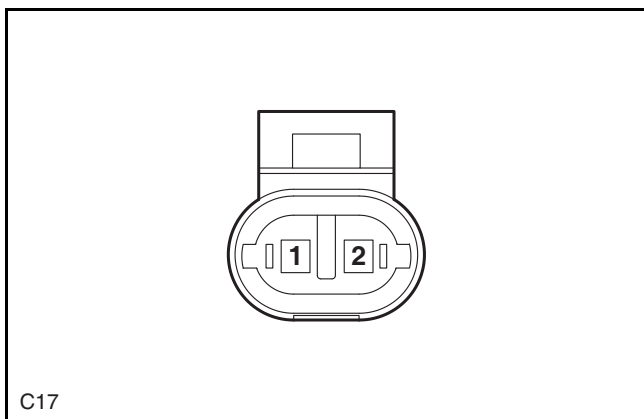
Left Front Rearview Mirror



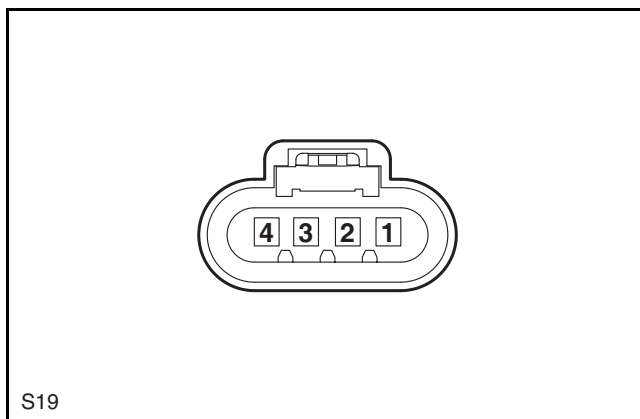
Right Front Rearview Mirror



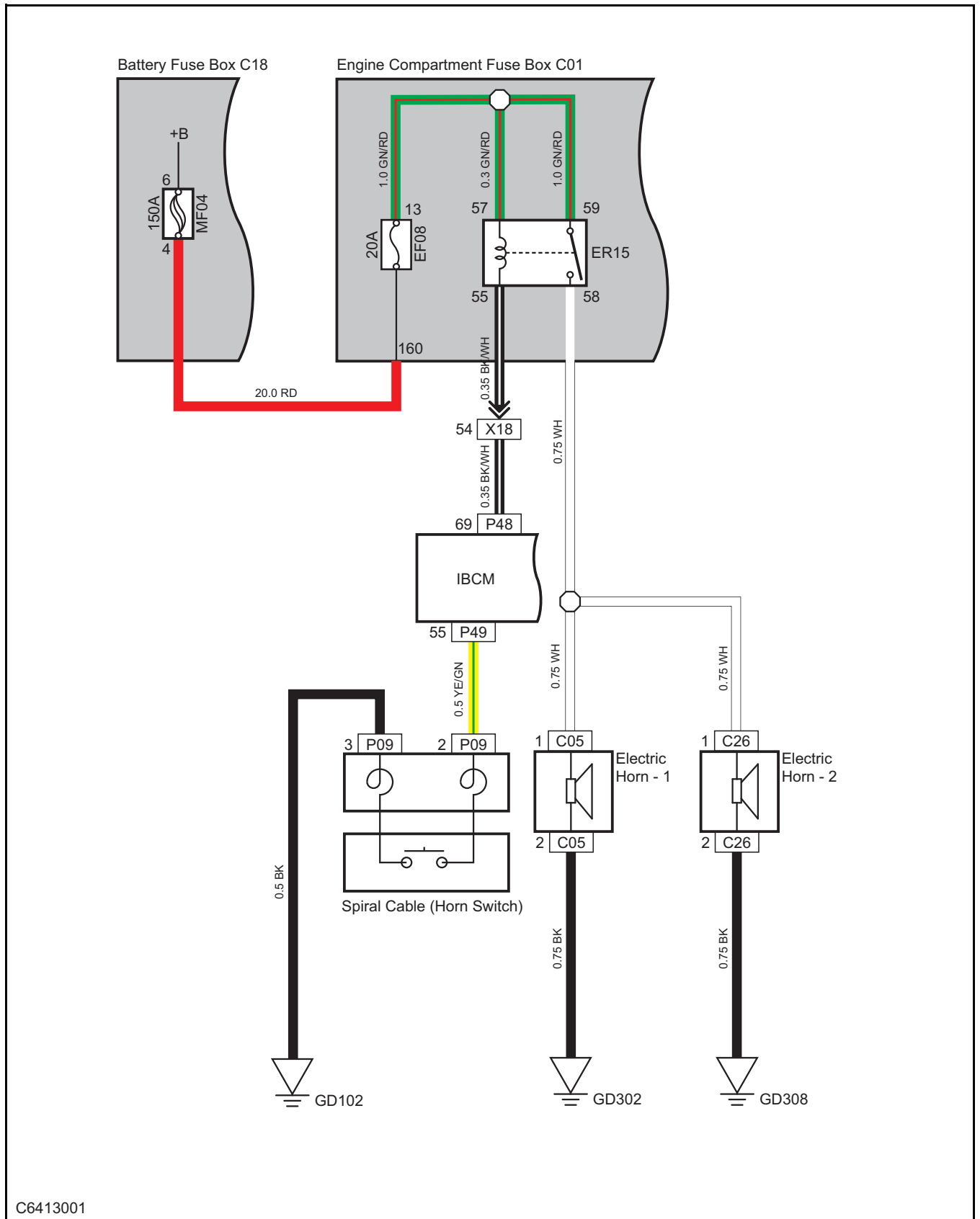
Brake Fluid Level Sensor



Fuel Pump

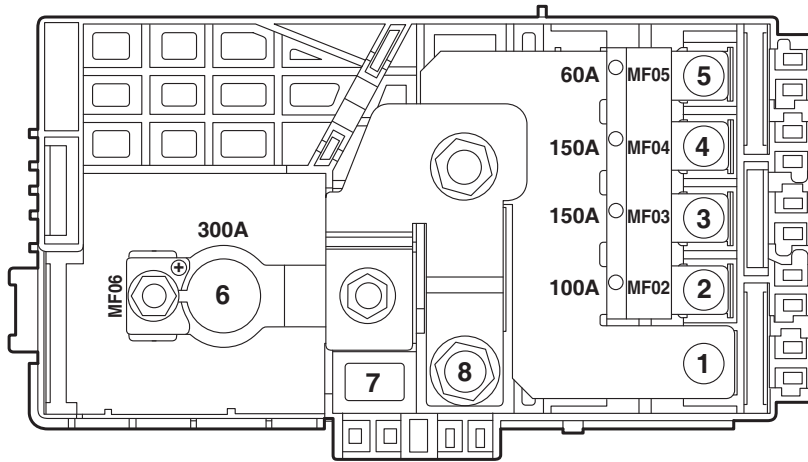


Horn



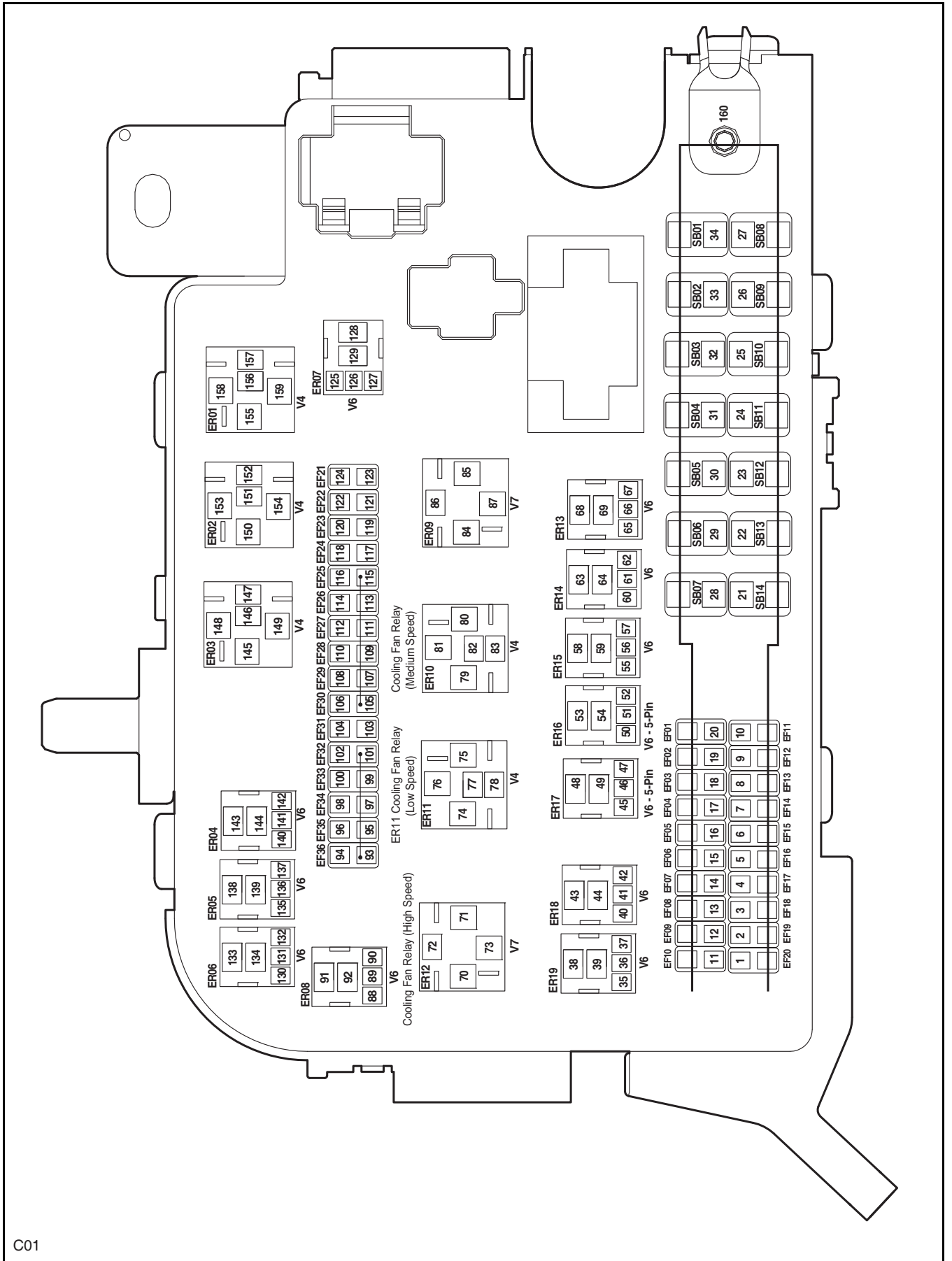
C6413001

Battery Fuse Box



C18

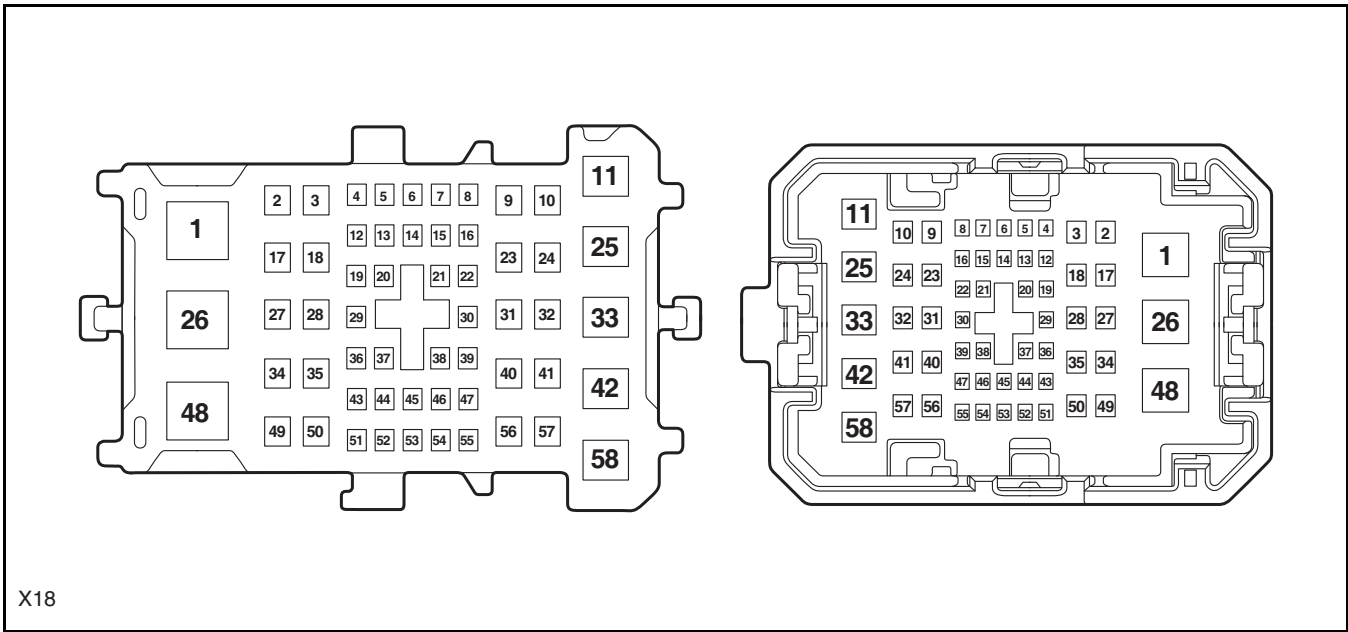
Engine Compartment Fuse Box



C01

Instrument Panel Wiring Harness to Engine
Compartment Wiring Harness (Right 1)

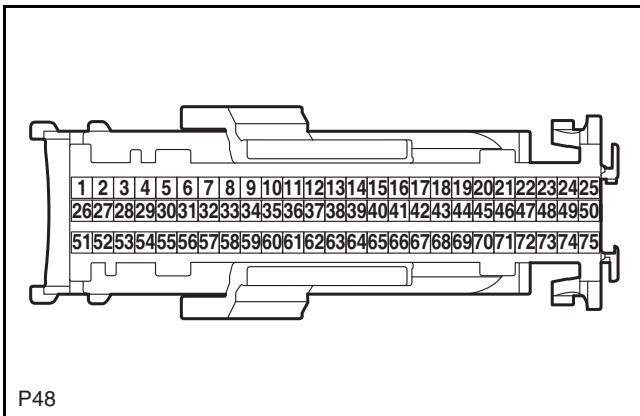
Engine Compartment Wiring Harness to Instrument
Panel Wiring Harness (Right 1)



X18

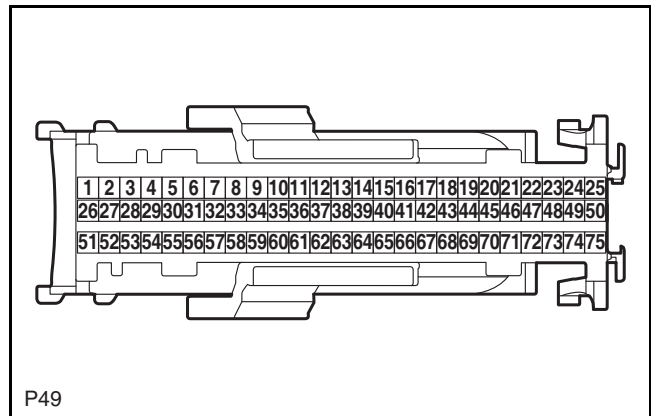
IBCM-J7

IBCM-J1



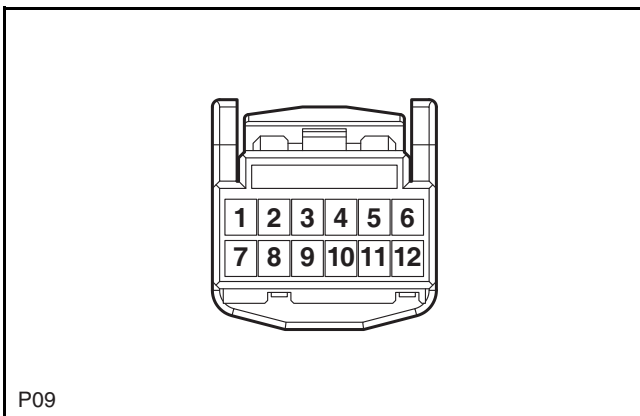
P48

Spiral Cable (Horn Switch)

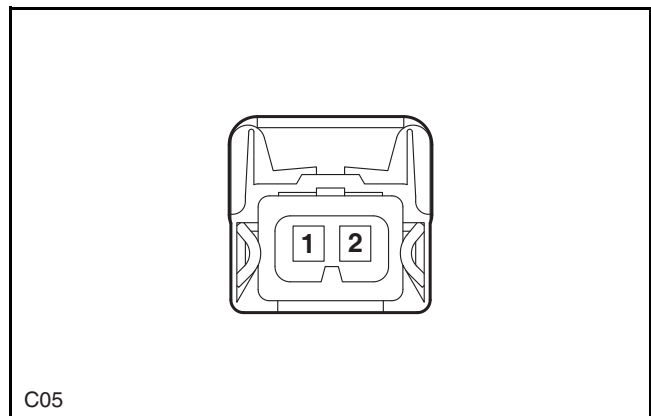


P49

Electric Horn - 1

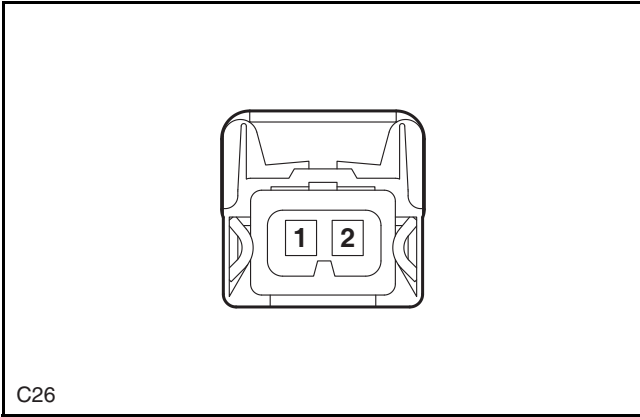


P09

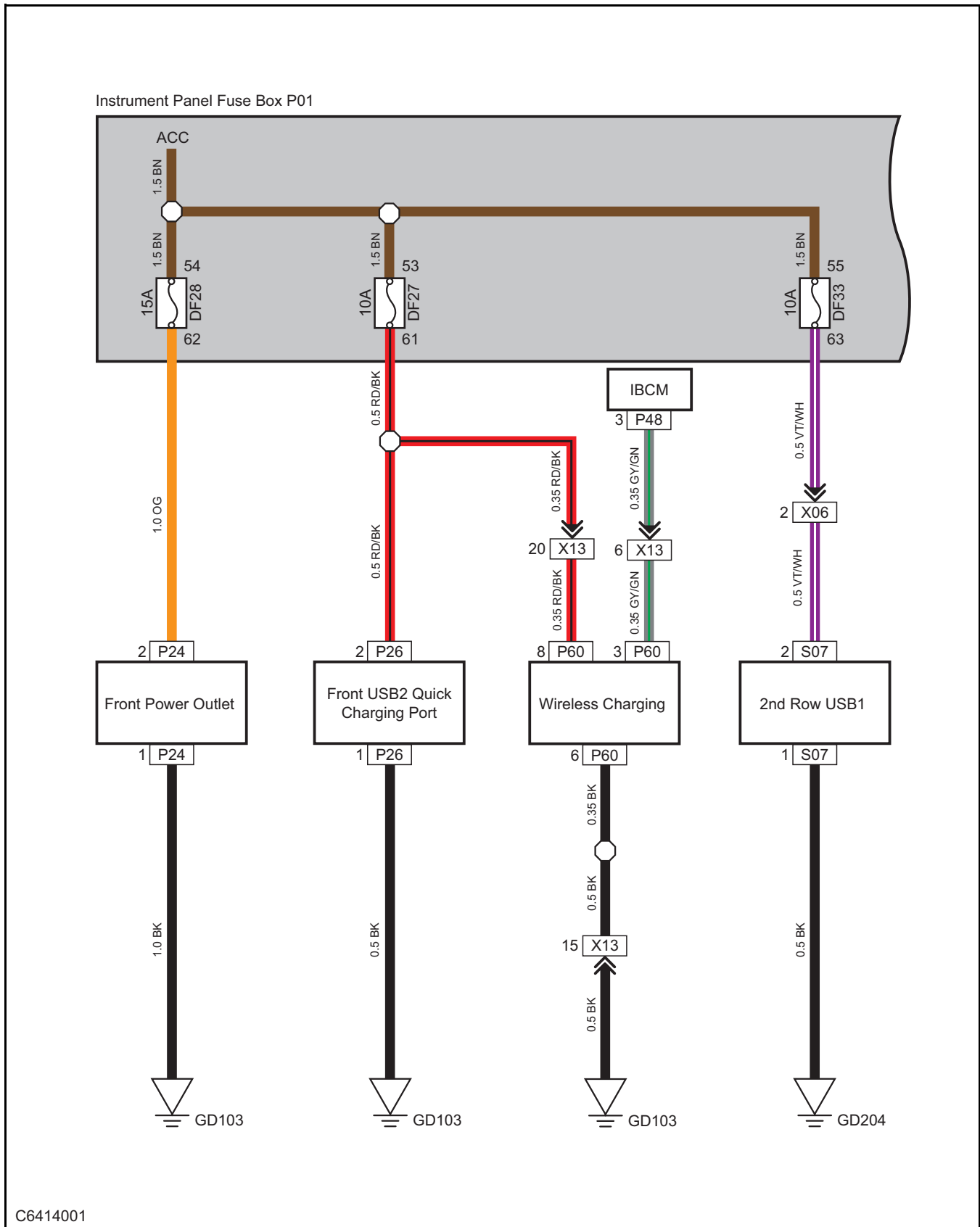


C05

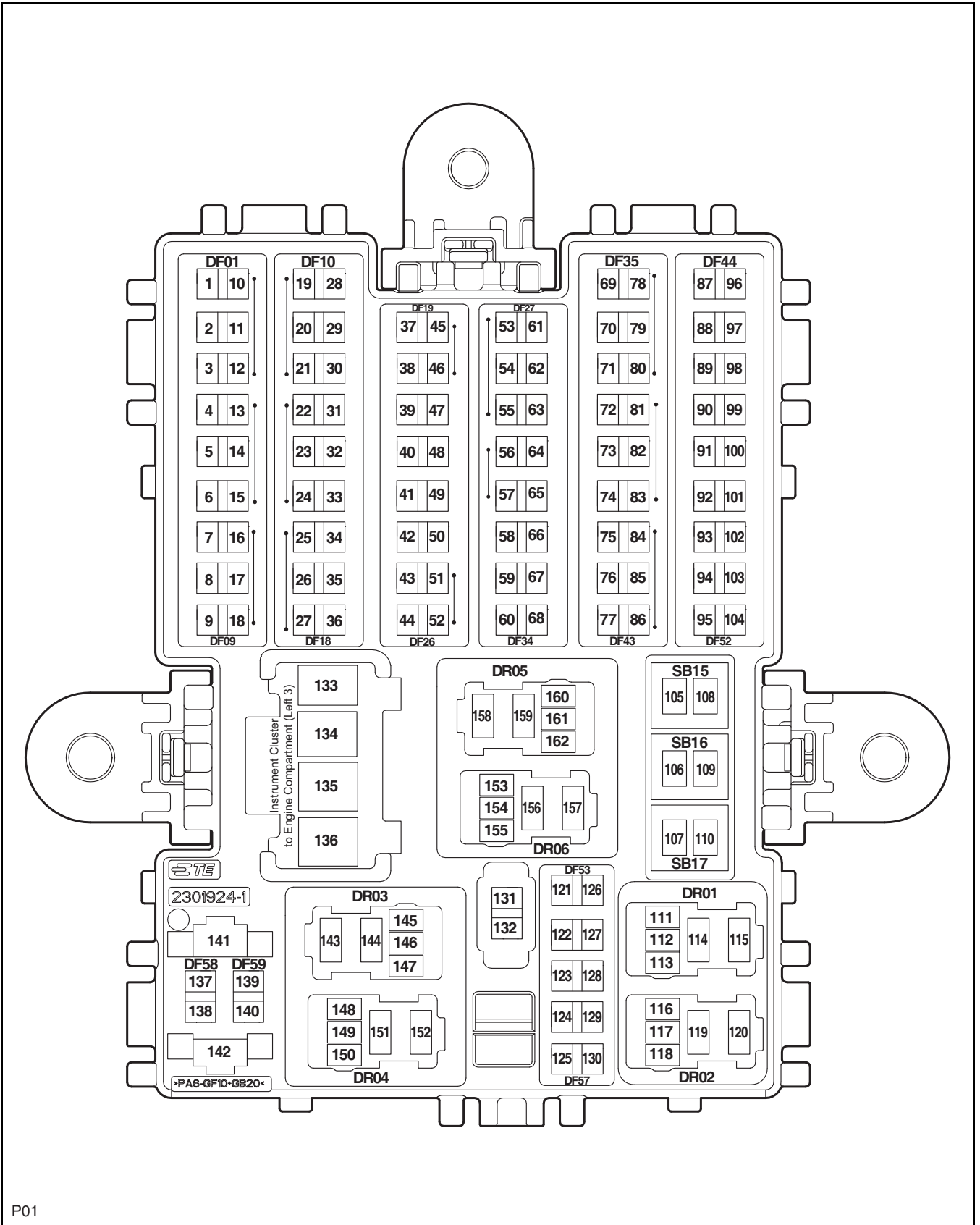
Electric Horn - 2



USB & On-board Power Supply



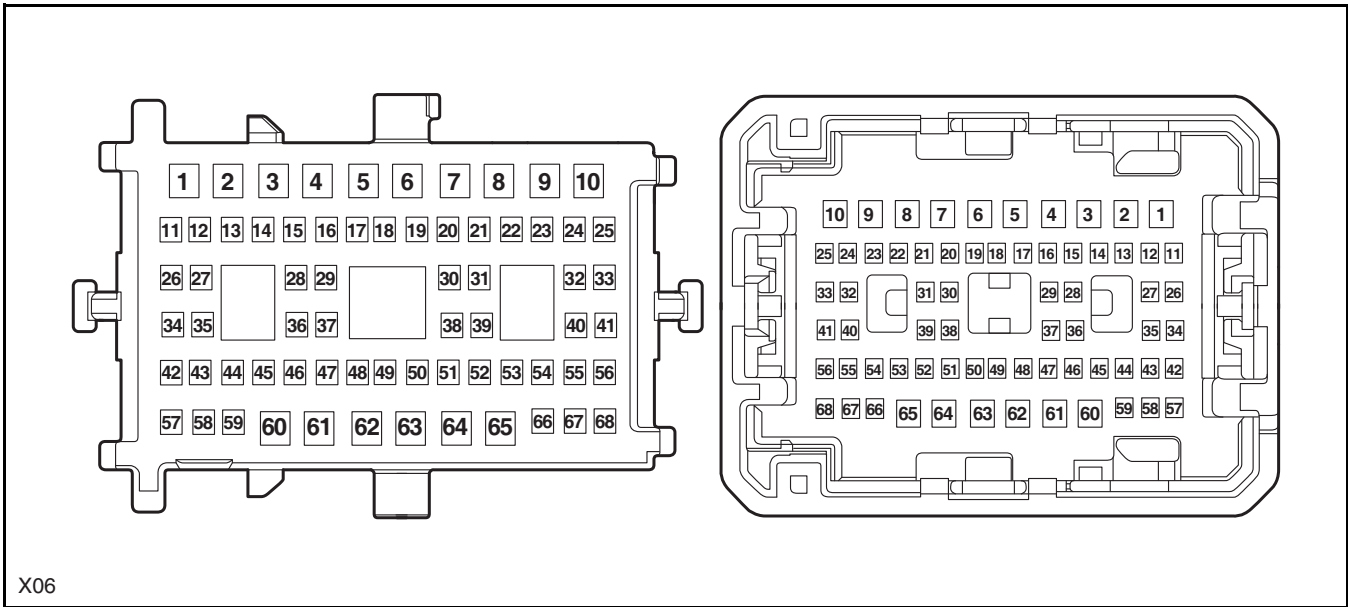
Instrument Panel Fuse Box



P01

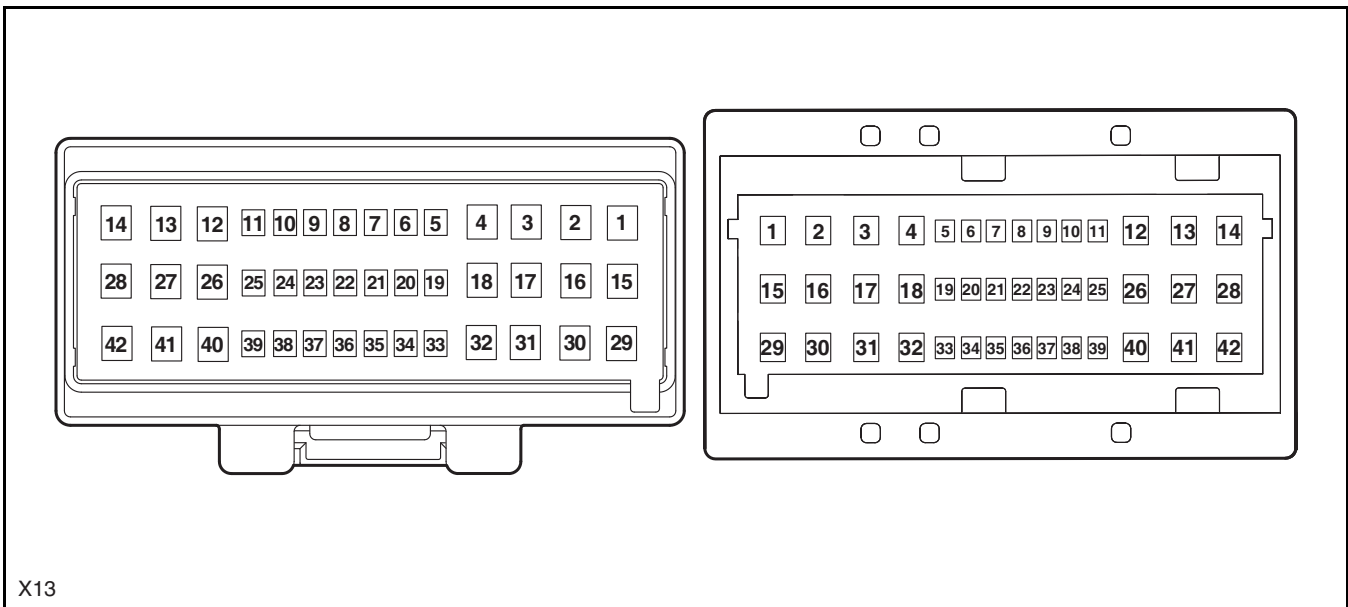
Instrument Panel Wiring Harness to Chassis Wiring Harness (Left 1)

Chassis Wiring Harness to Instrument Panel Wiring Harness (Left 1)



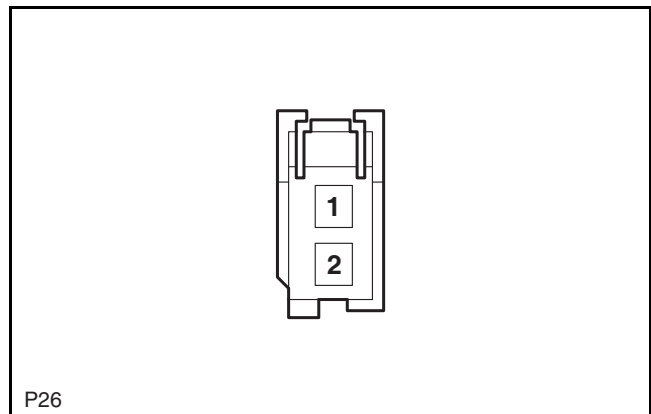
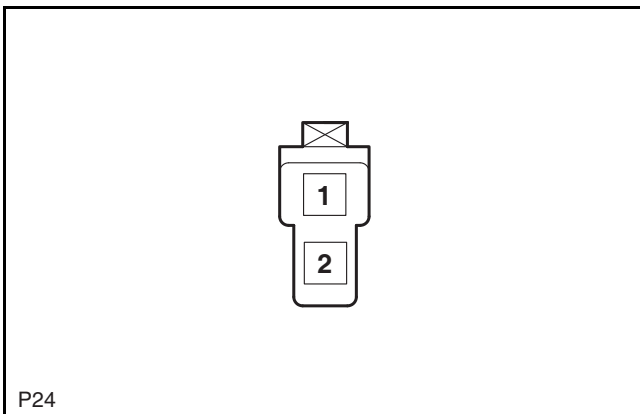
Instrument Panel Wiring Harness to Auxiliary Fascia Console Wiring Harness Panel

Auxiliary Fascia Console Wiring Harness Panel to Instrument Panel Wiring Harness

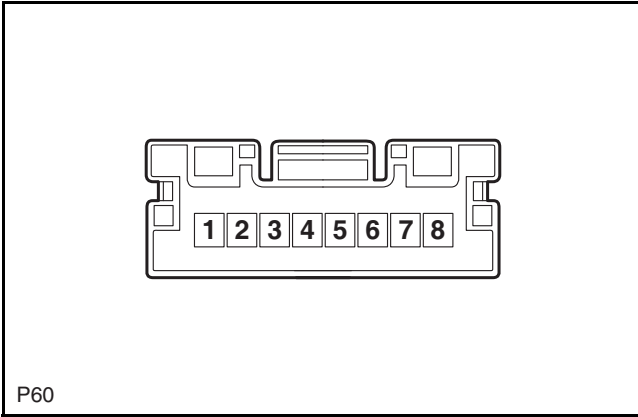


Front Power Outlet

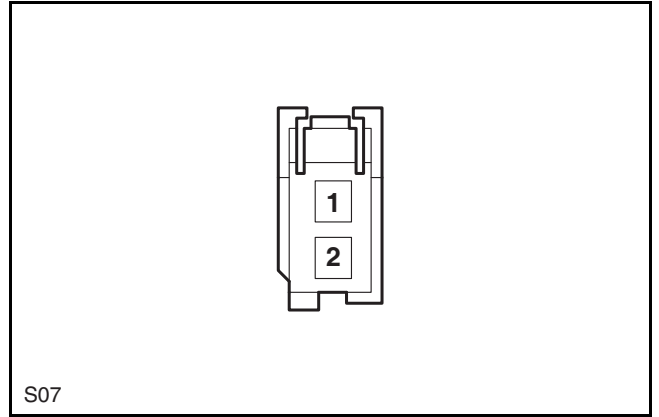
Front USB 2 Charging Port



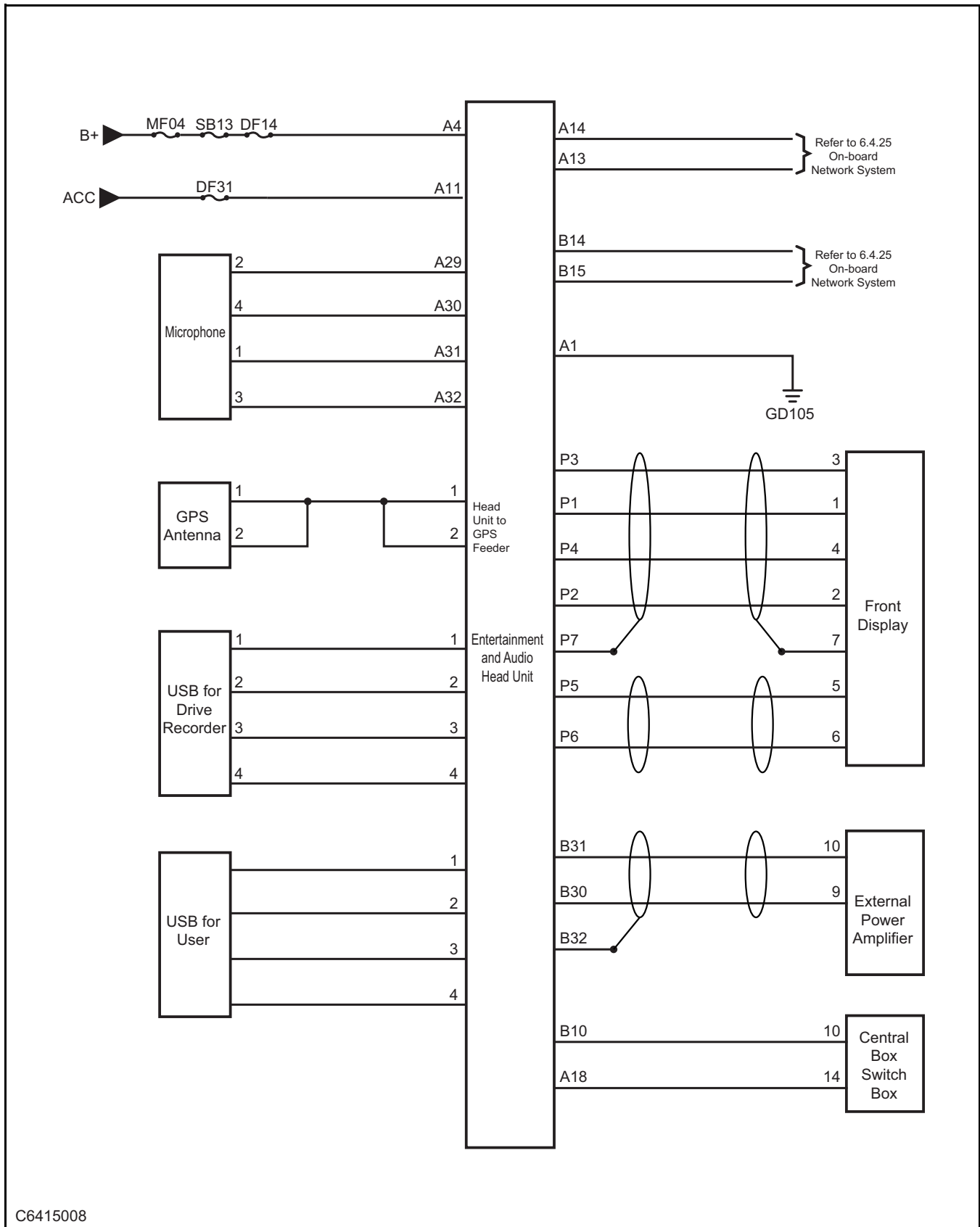
Wireless Charging



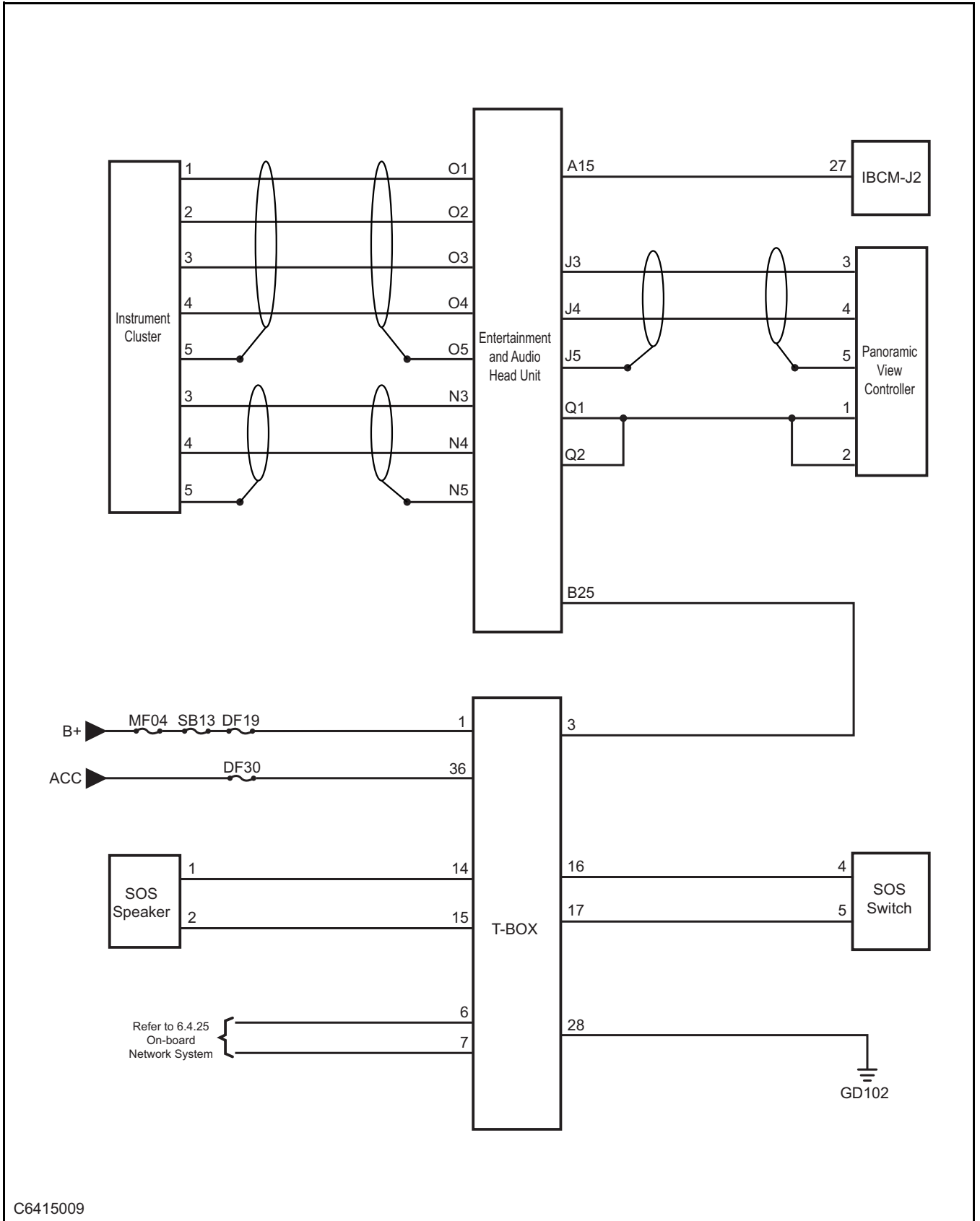
Second Row USB 1



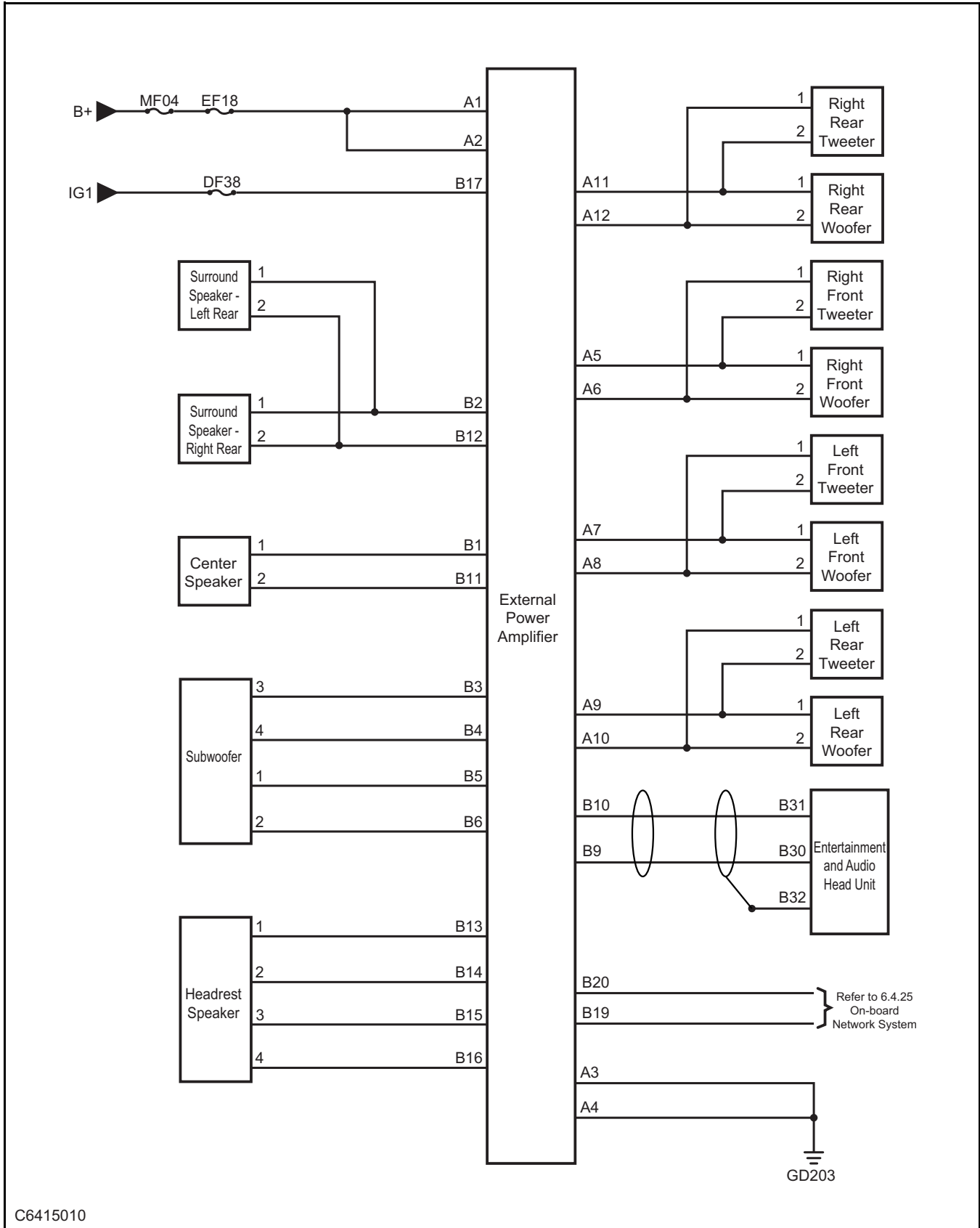
Information and Entertainment System



C6415008

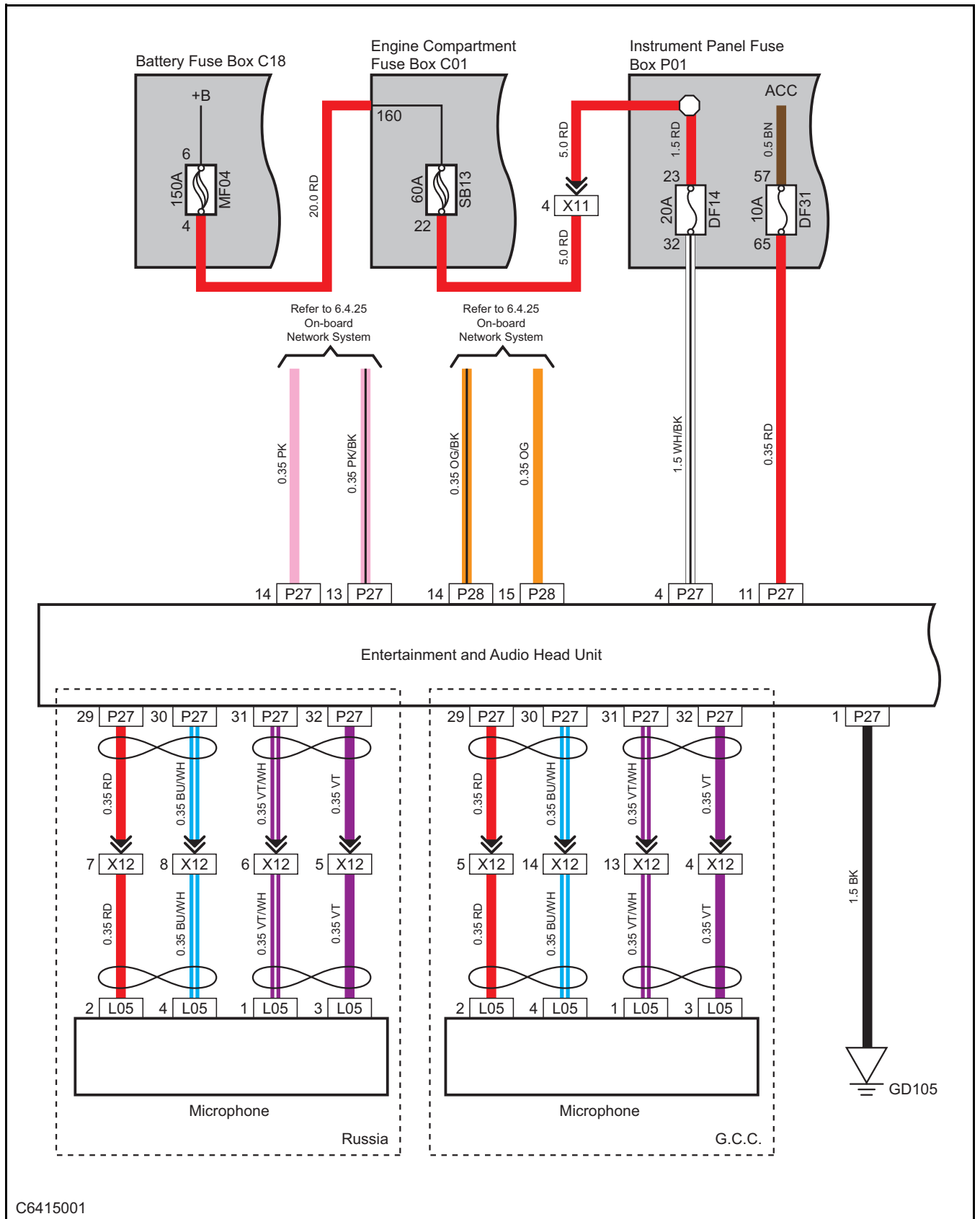


C6415009

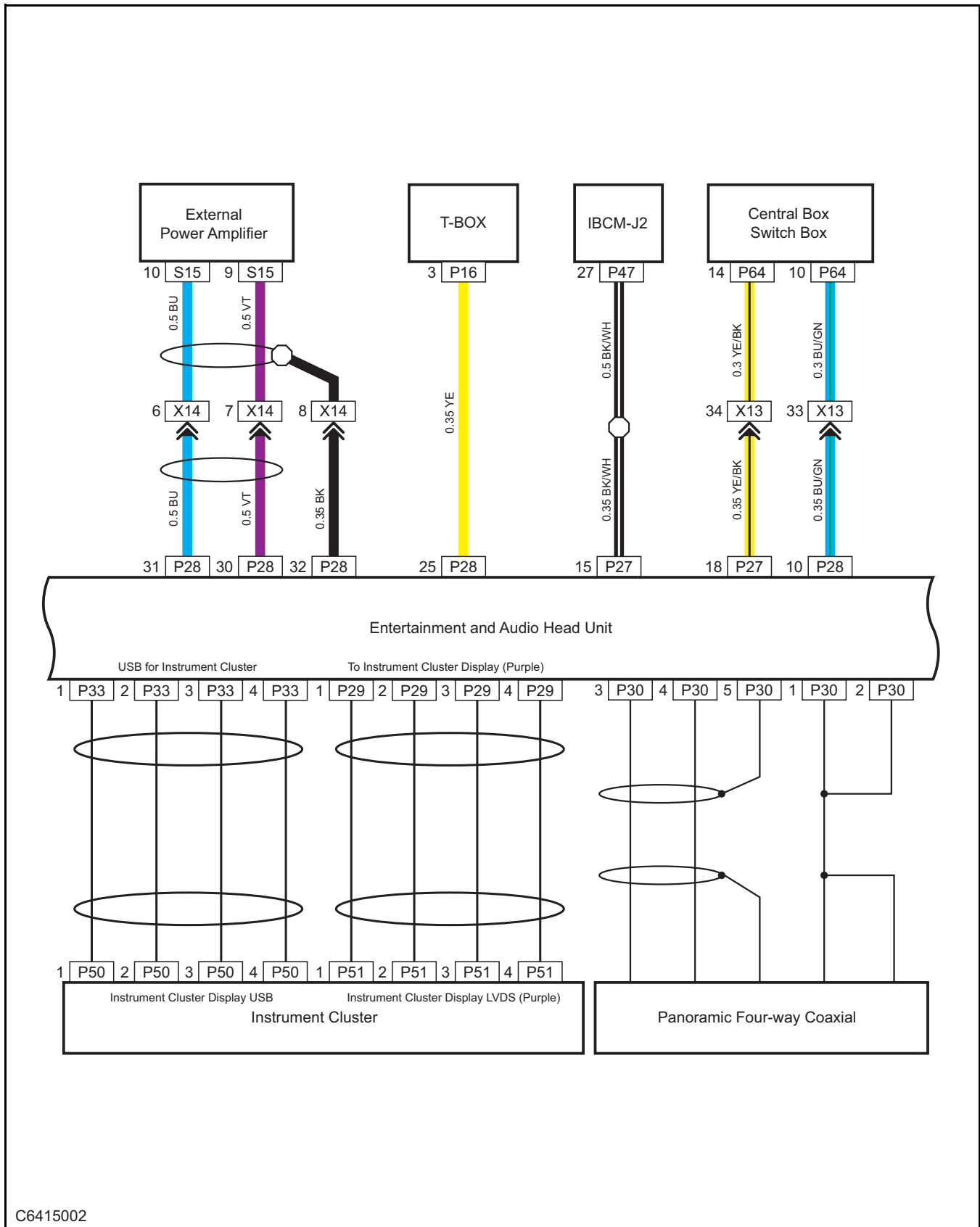


C6415010

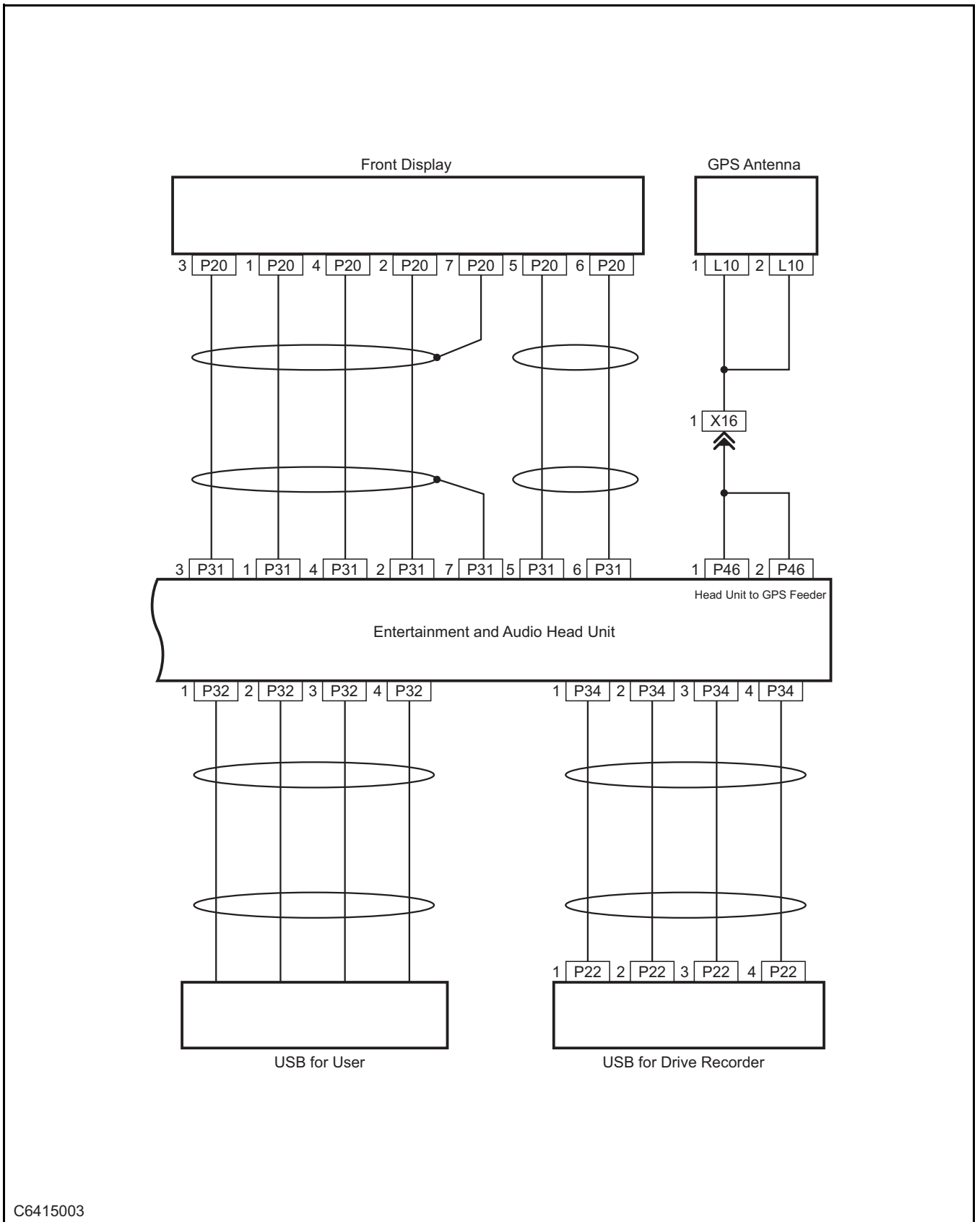
Power Supply/Microphone



Instrument Cluster USB/Panoramic USB/Central Box Switch Box

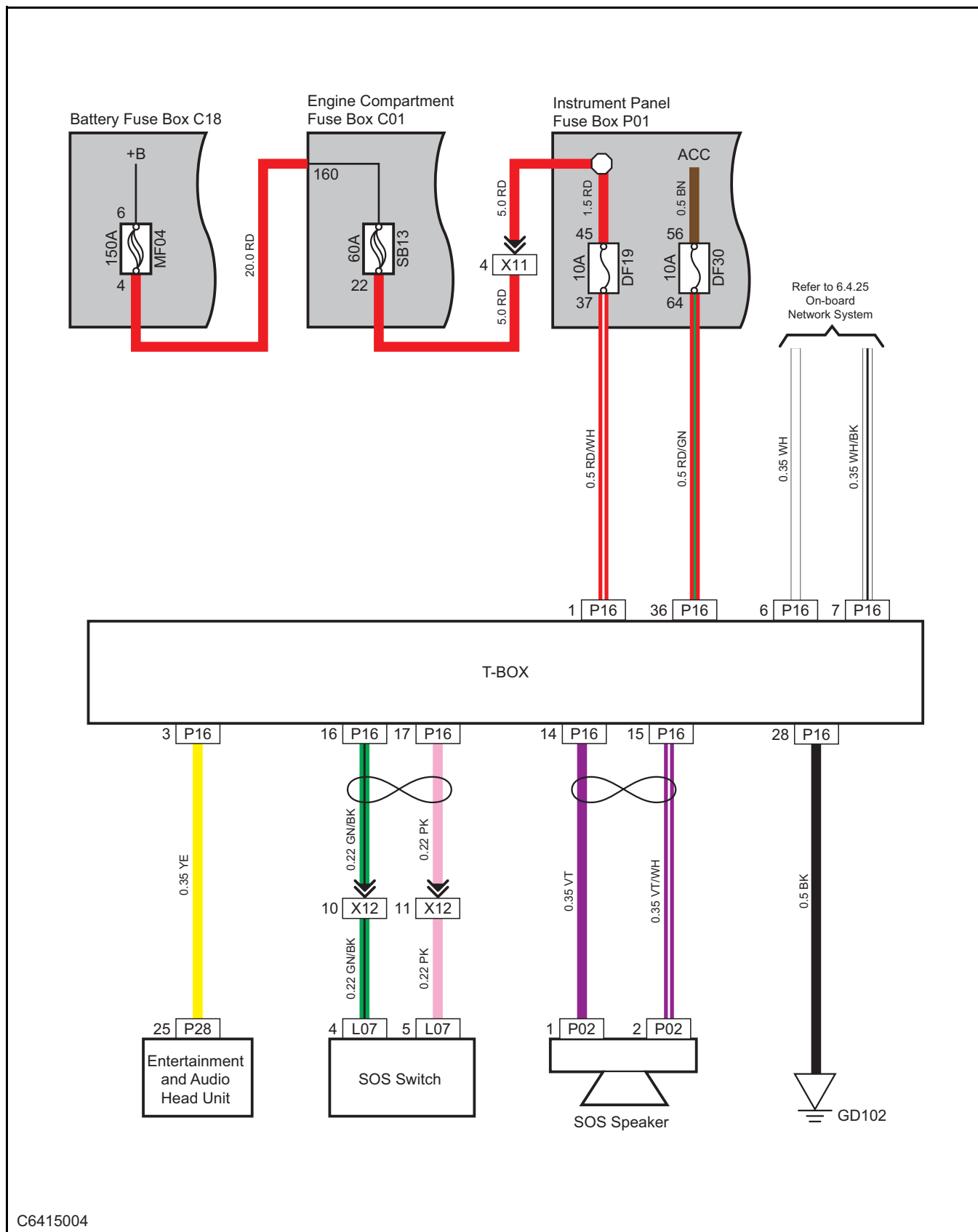


Front Display/Data USB/GPS Antenna/Drive Recorder USB

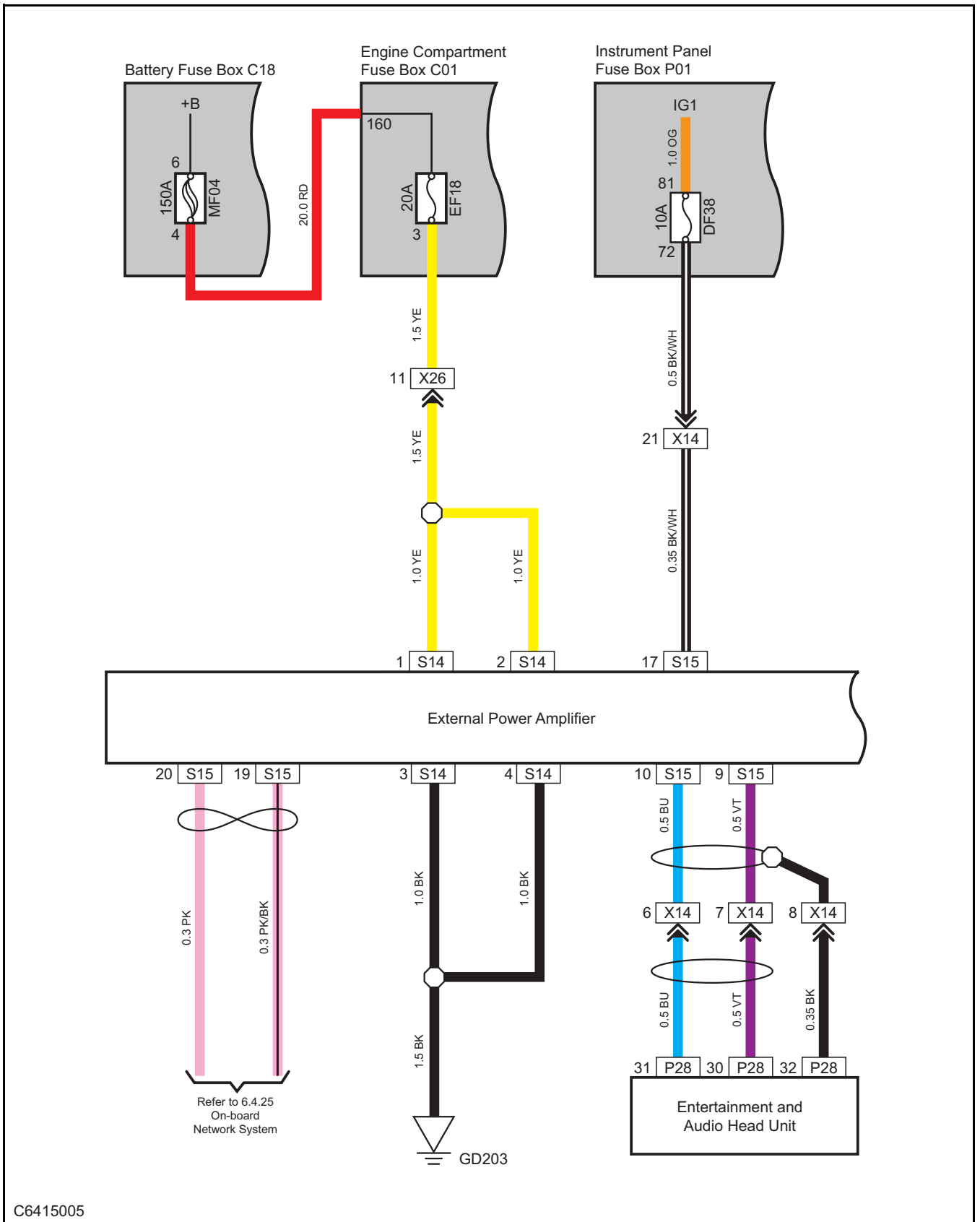


C6415003

T-BOX (Russia)

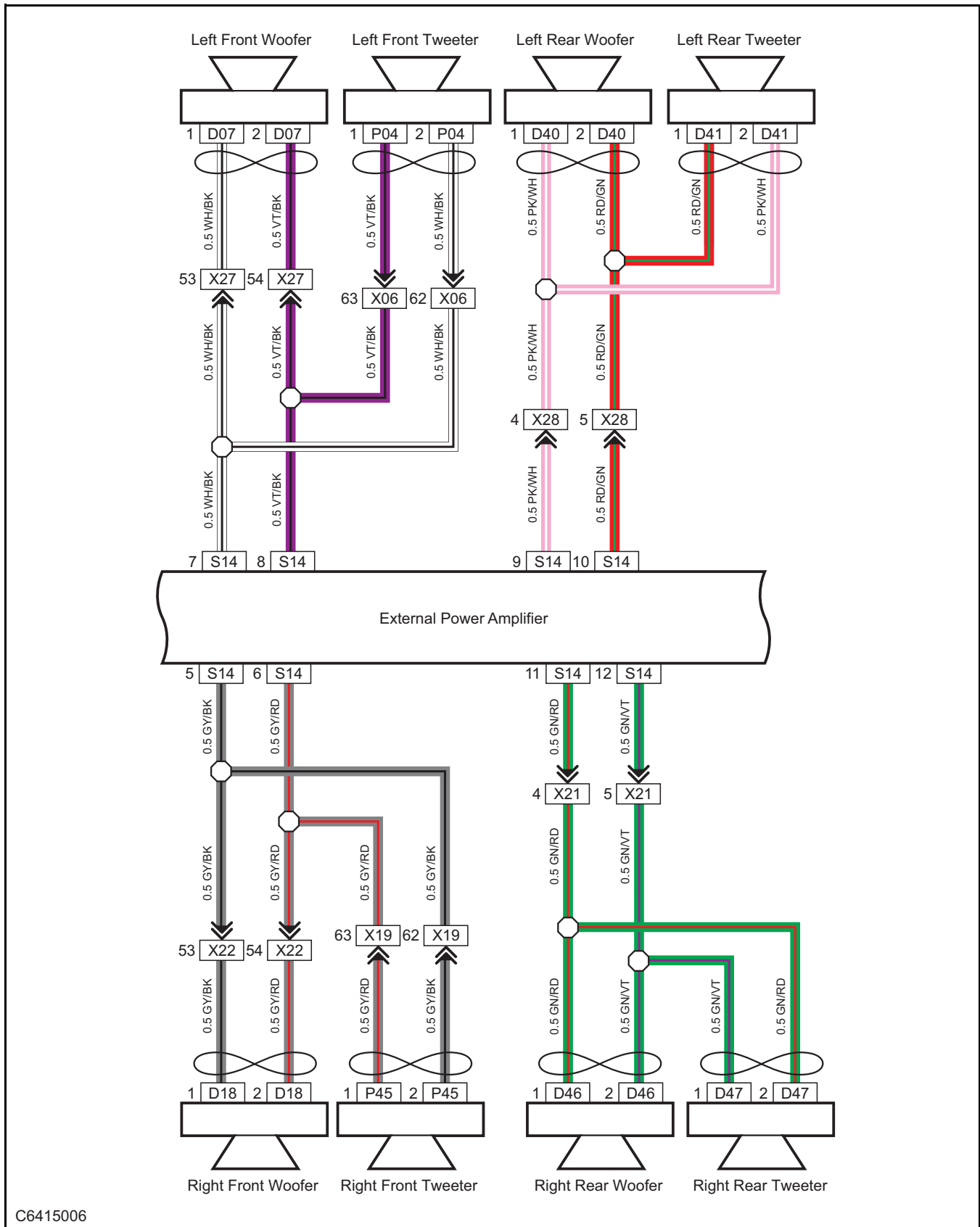


Power Amplifier Power Supply (Russia LV4, G.C.C. LV4)



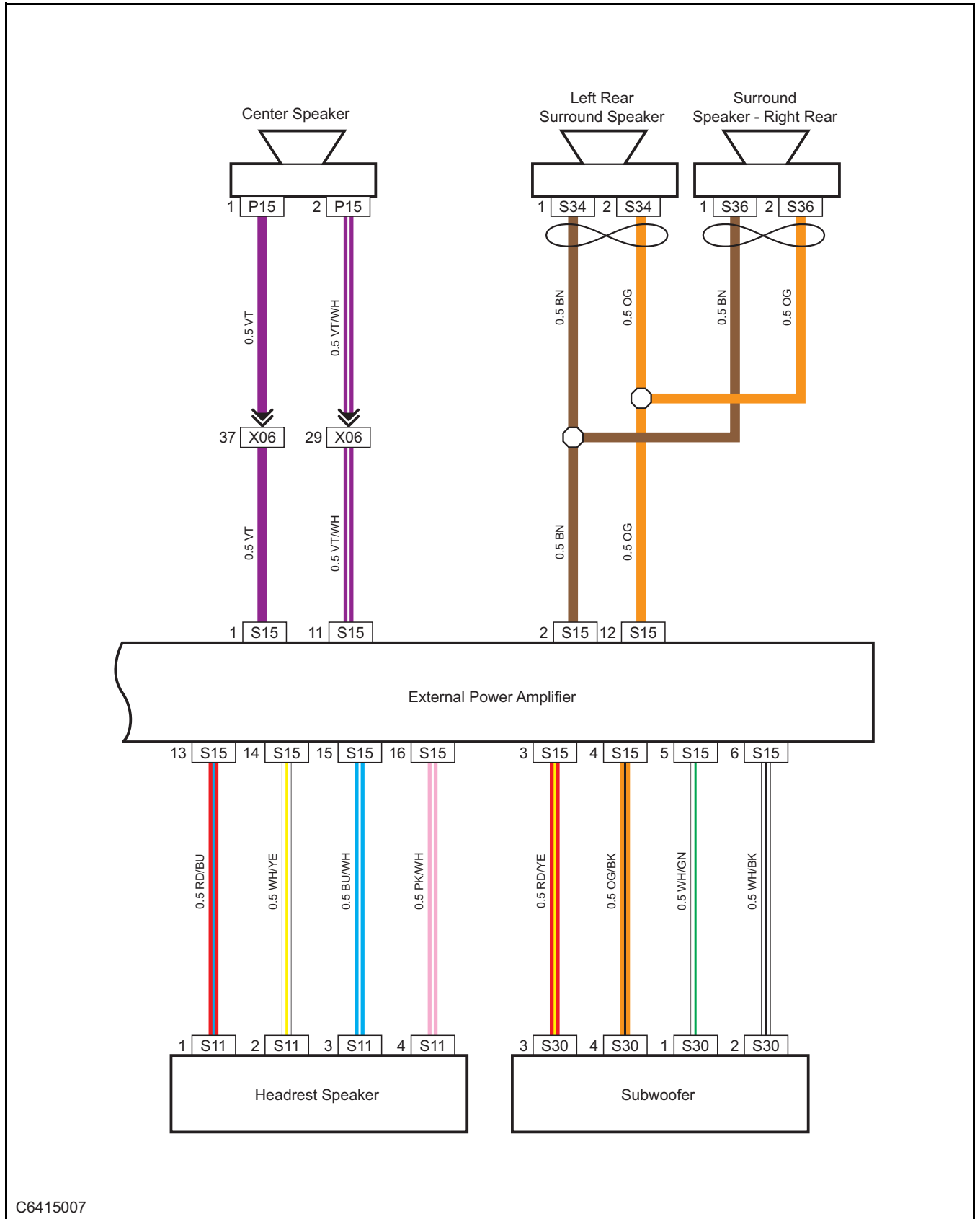
C6415005

Power Amplifier Tweeter/Woofers (Russia LV4, G.C.C. LV4)



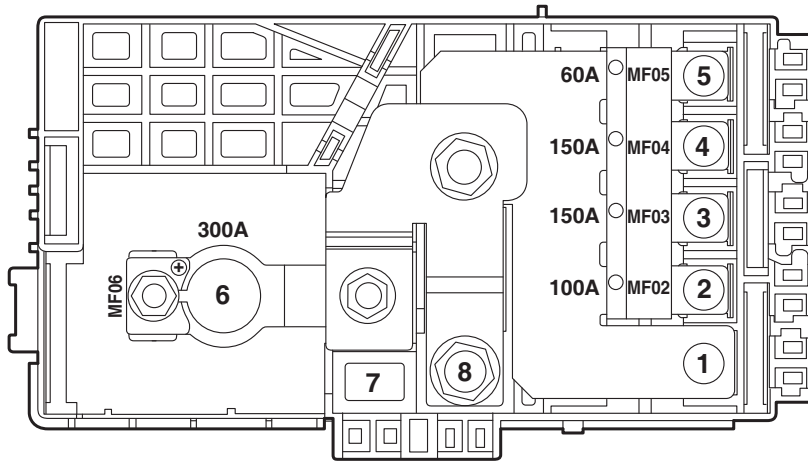
C6415006

Power Amplifier Center Speaker/Headrest Speaker/Surround Speaker (Russia LV4, G.C.C. LV4)



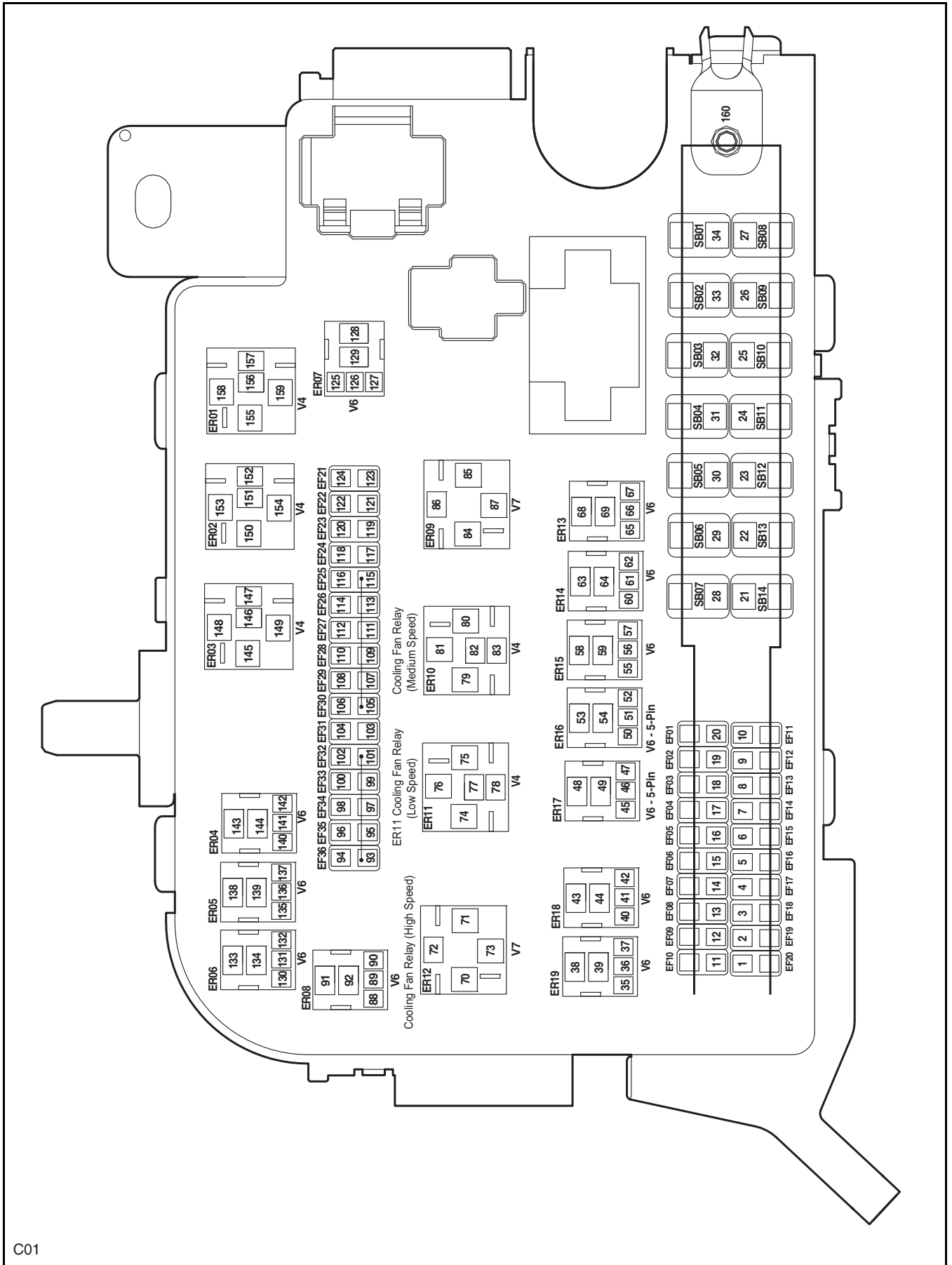
C6415007

Battery Fuse Box



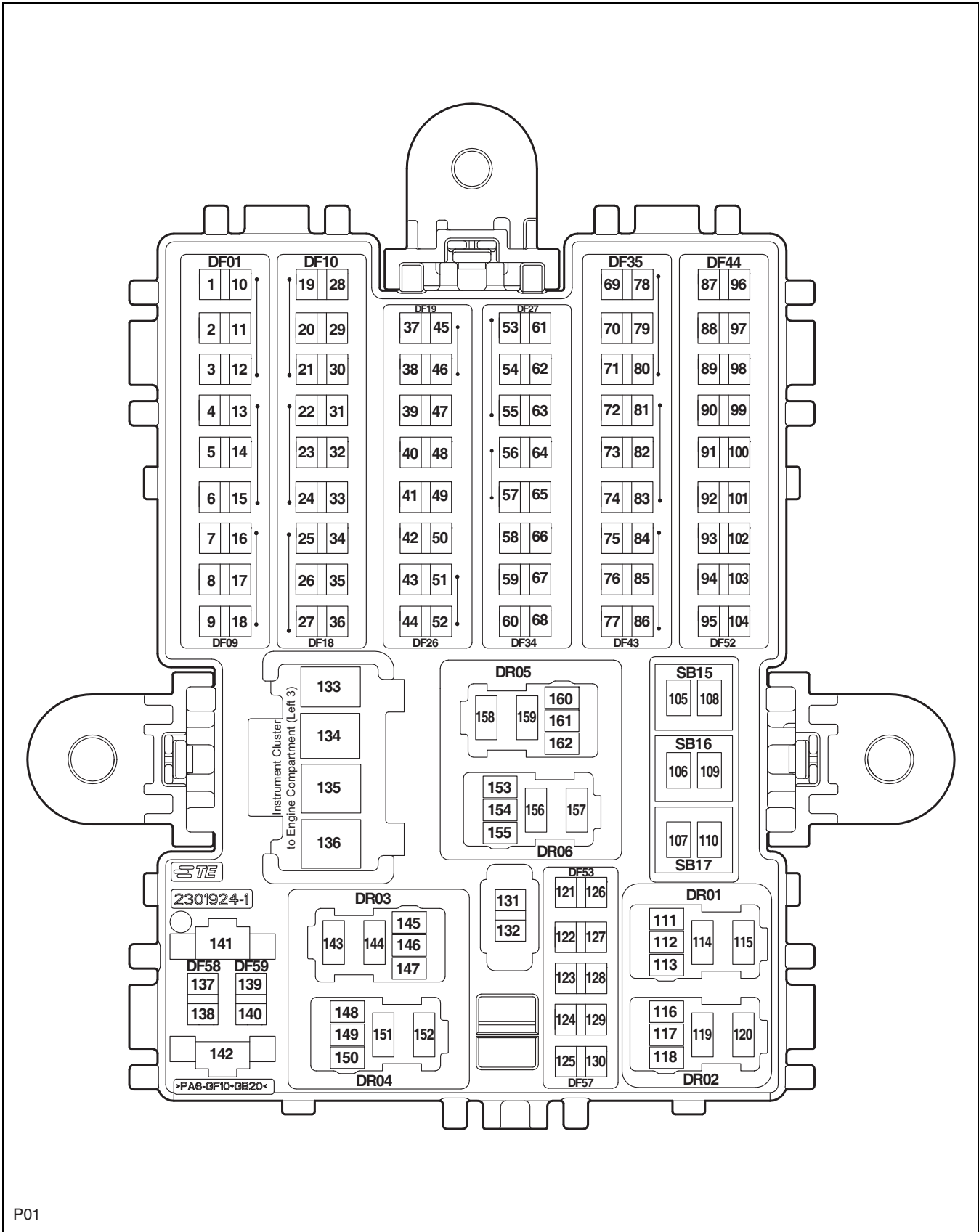
C18

Engine Compartment Fuse Box



C01

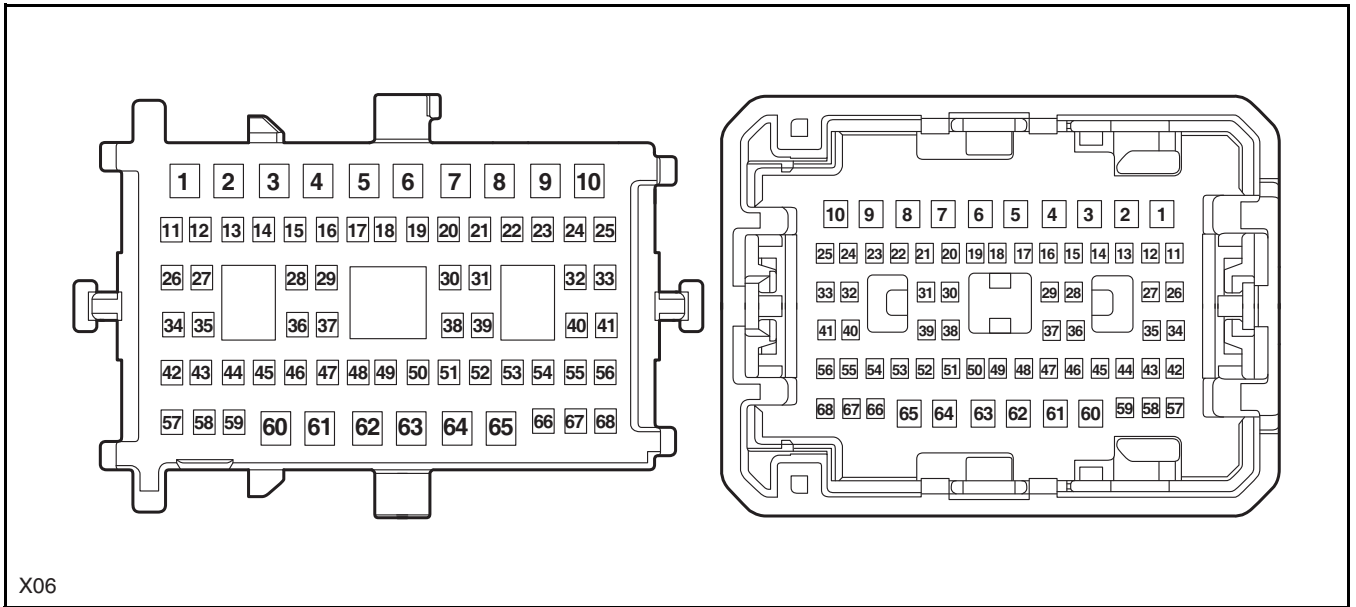
Instrument Panel Fuse Box



P01

Instrument Panel Wiring Harness to Chassis Wiring Harness (Left 1)

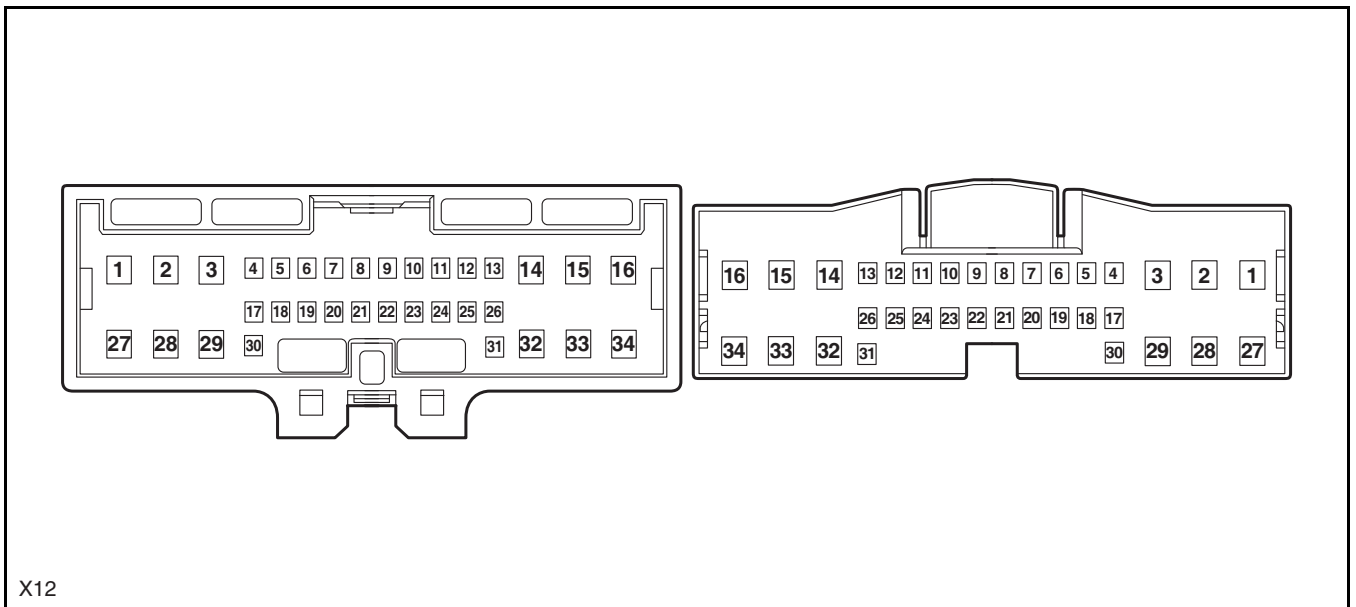
Chassis Wiring Harness to Instrument Panel Wiring Harness (Left 1)



X06

Instrument Panel Wiring Harness to Roof Wiring Harness (Left 1)

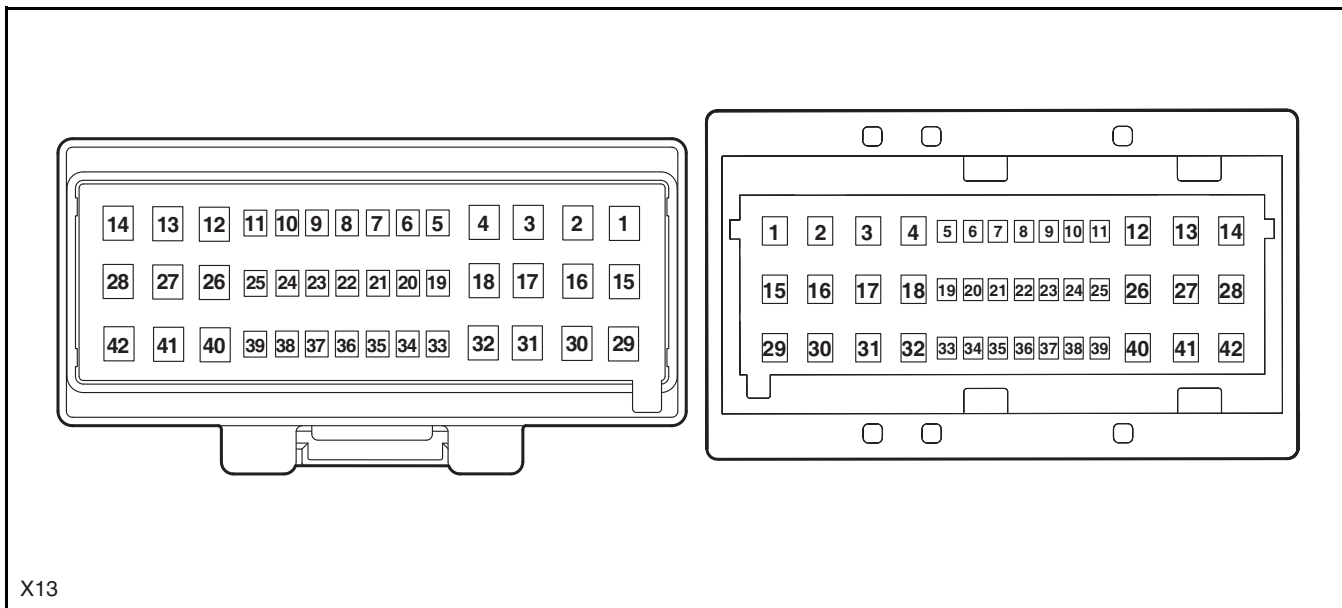
Roof Wiring Harness to Instrument Panel Wiring Harness (Left 1)



X12

Instrument Panel Wiring Harness to Auxiliary Fascia Console Wiring Harness Panel

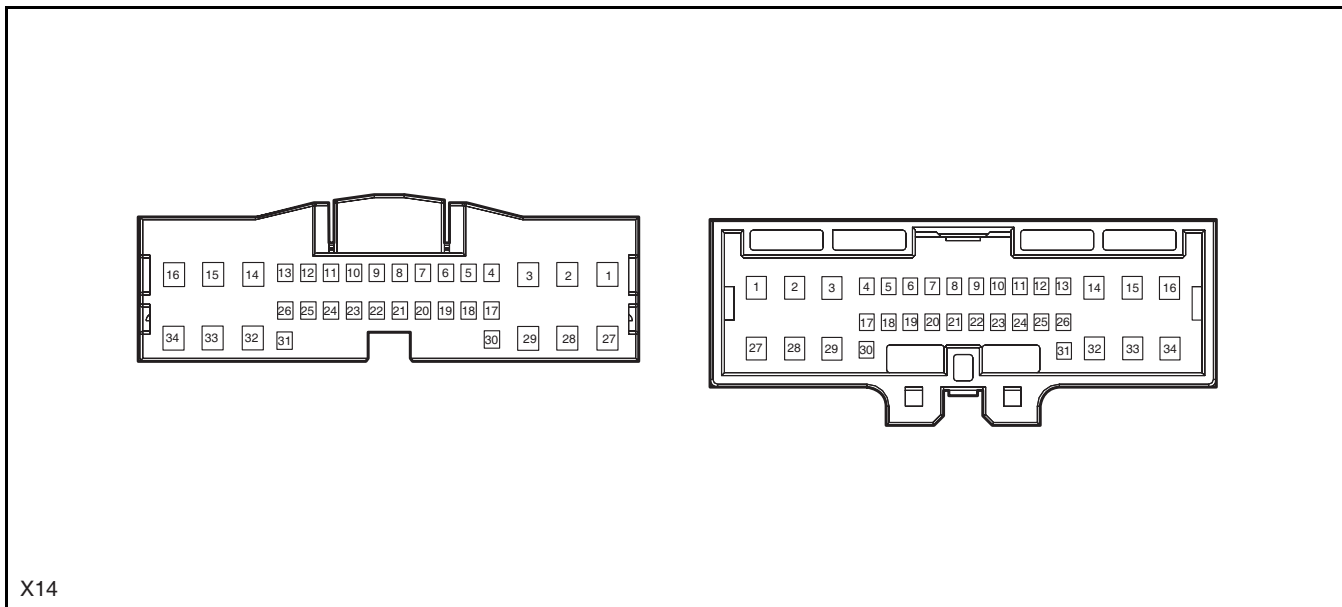
Auxiliary Fascia Console Wiring Harness Panel to Instrument Panel Wiring Harness



X13

Instrument Panel Wiring Harness to Chassis Wiring Harness (Center)

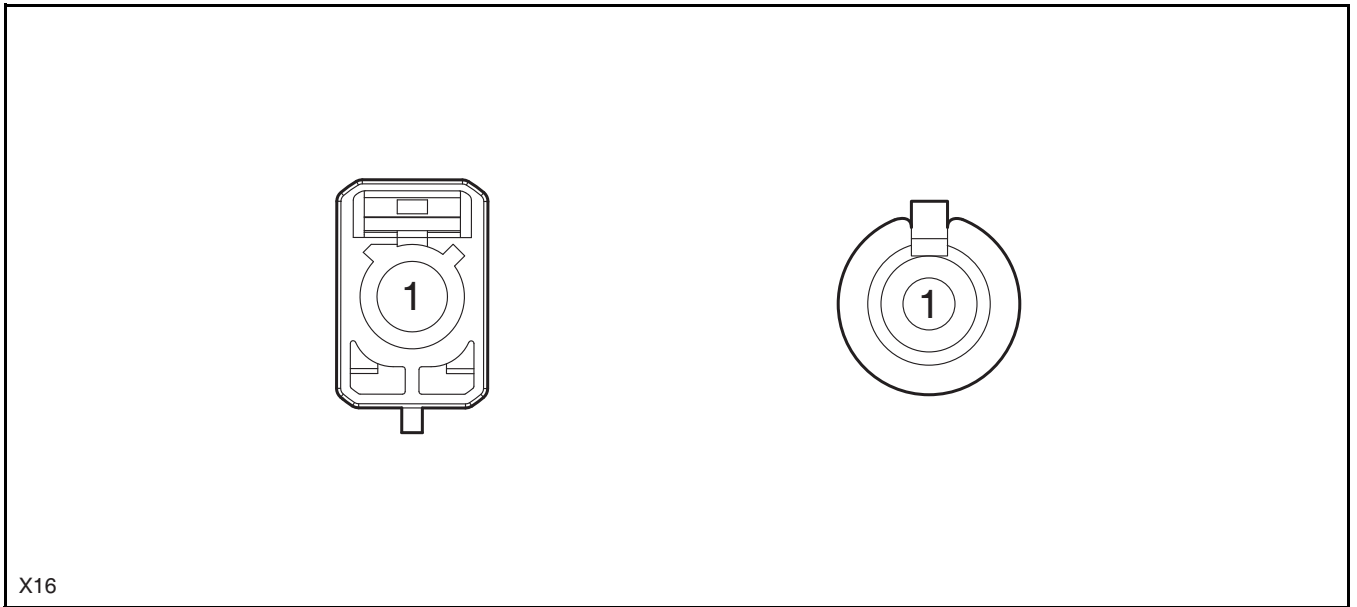
Chassis Wiring Harness to Instrument Panel Wiring Harness (Center)



X14

Instrument Panel Wiring Harness to Roof GPS Feeder
(Grey)

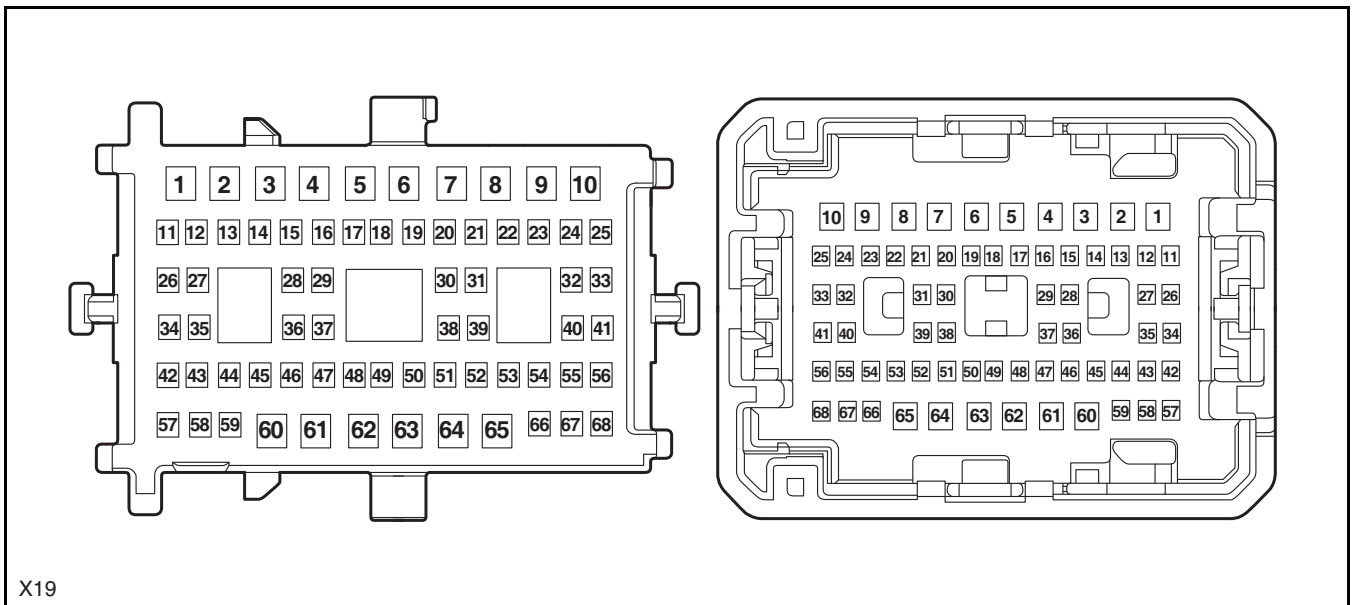
Roof GPS Feeder to Instrument Panel Wiring Harness
(Grey)



X16

Instrument Panel Wiring Harness to Chassis Wiring
Harness (Right 1)

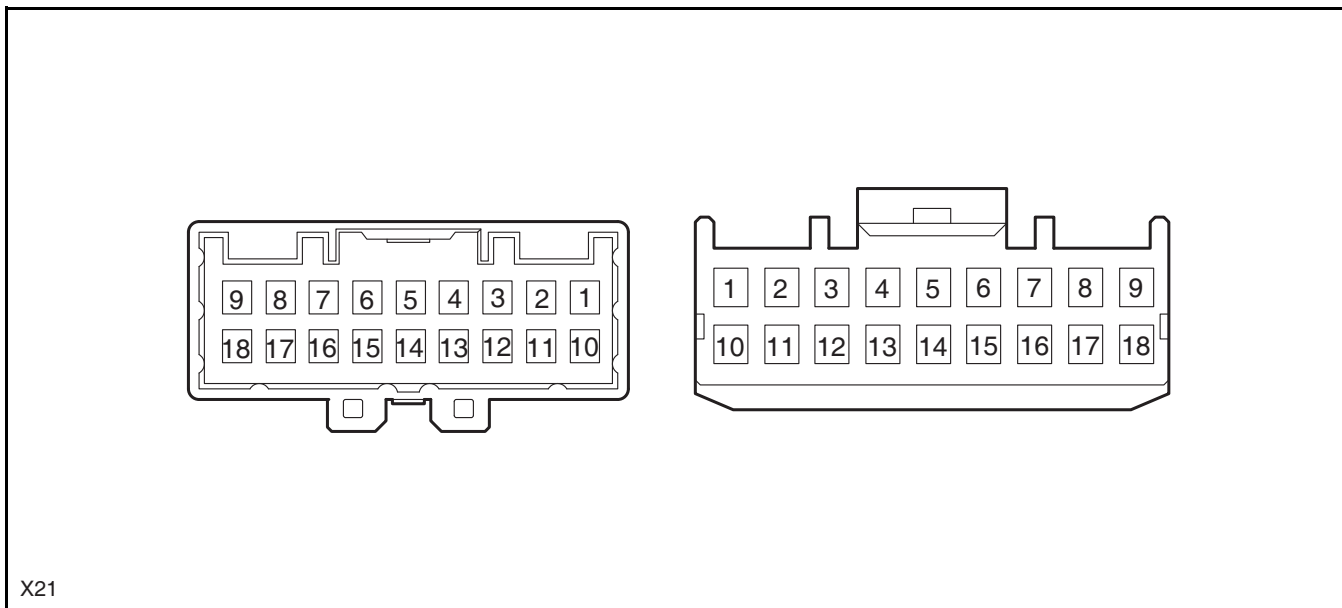
Chassis Wiring Harness to Instrument Panel Wiring
Harness (Right 1)



X19

Chassis Wiring Harness to Right Rear Door Wiring Harness

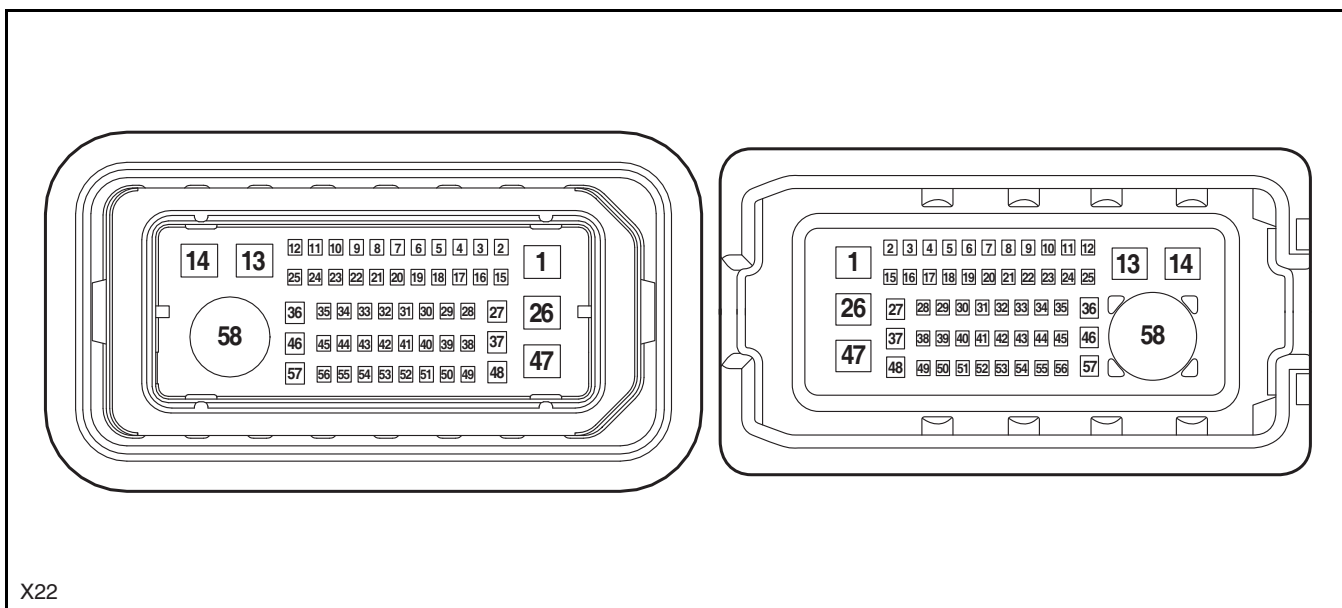
Right Rear Door Wiring Harness to Chassis Wiring Harness



X21

Chassis Wiring Harness to Right Front Door Wiring Harness

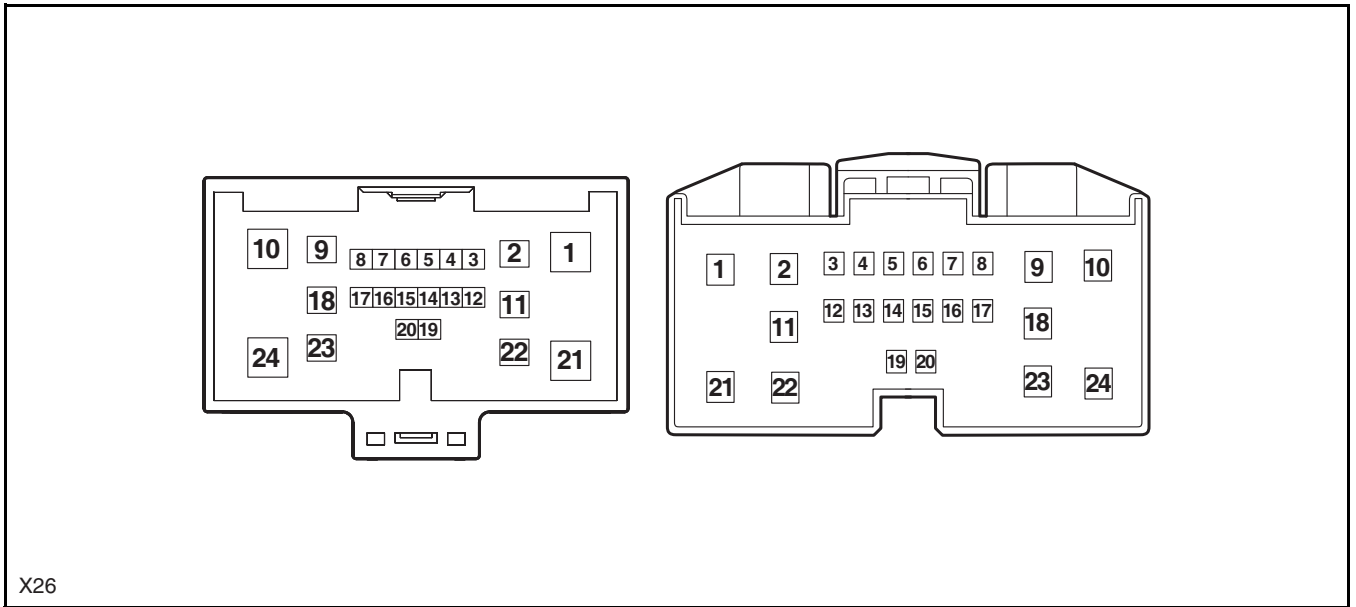
Right Front Door Wiring Harness to Chassis Wiring Harness



X22

Chassis Wiring Harness to Engine Compartment Wiring Harness (Left 1)

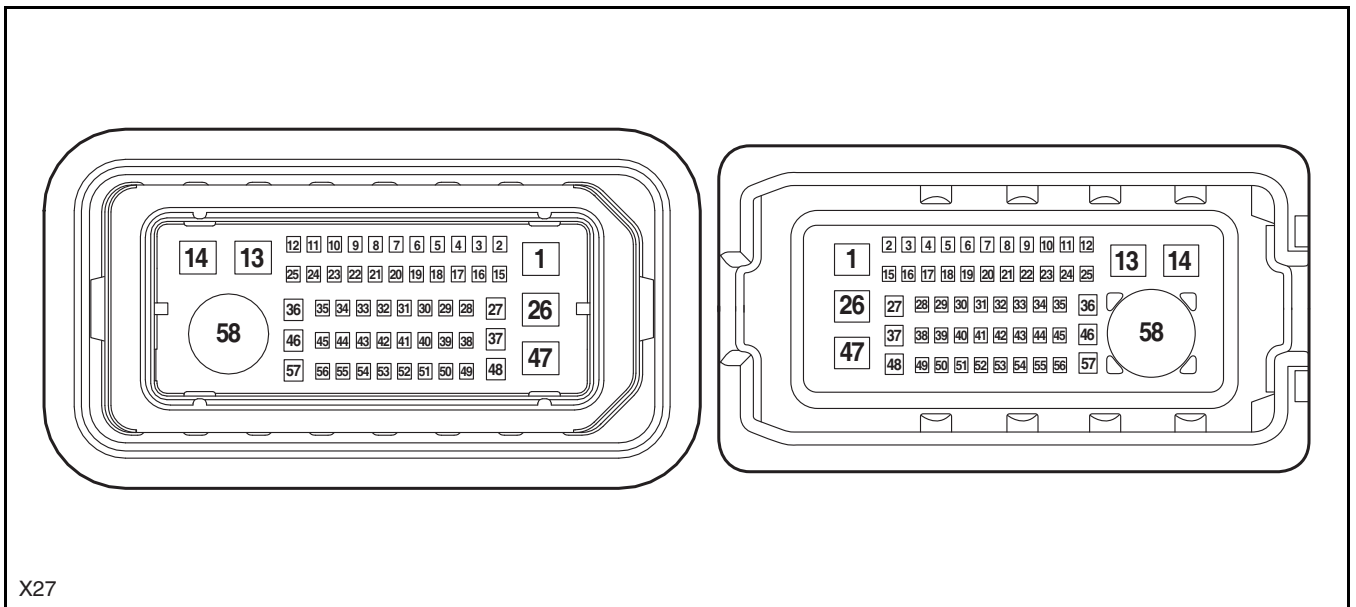
Engine Compartment Wiring Harness to Chassis Wiring Harness (Left 1)



X26

Chassis Wiring Harness to Left Front Door Wiring Harness

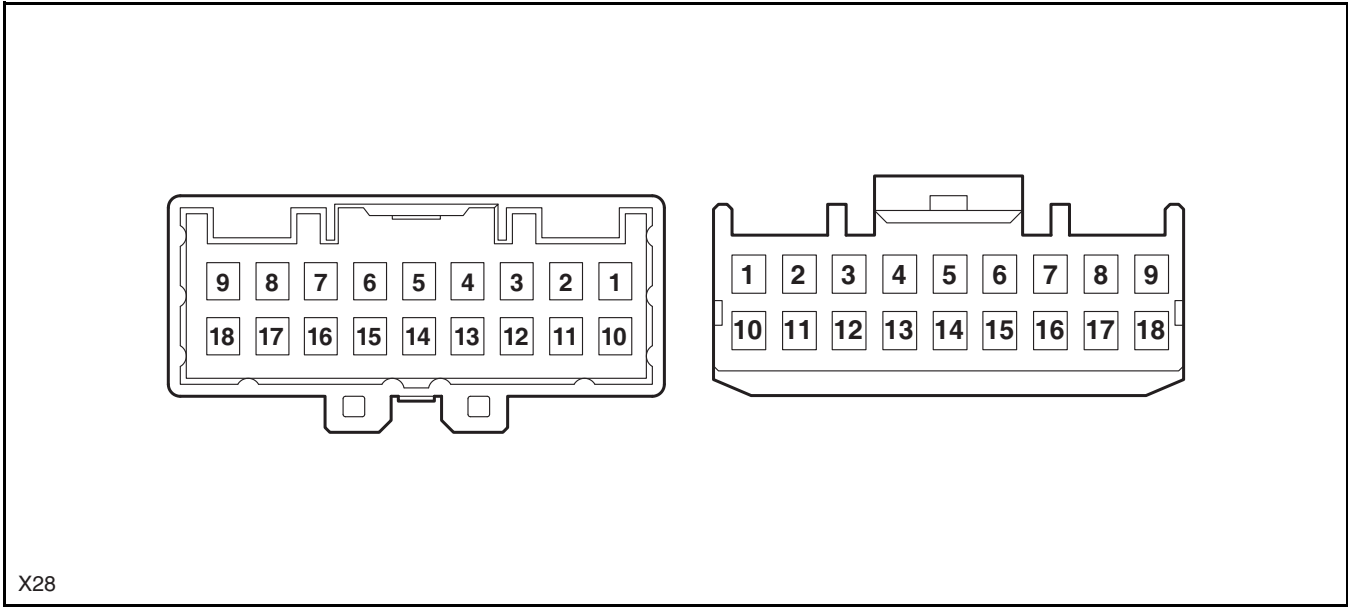
Left Front Door Wiring Harness to Chassis Wiring Harness



X27

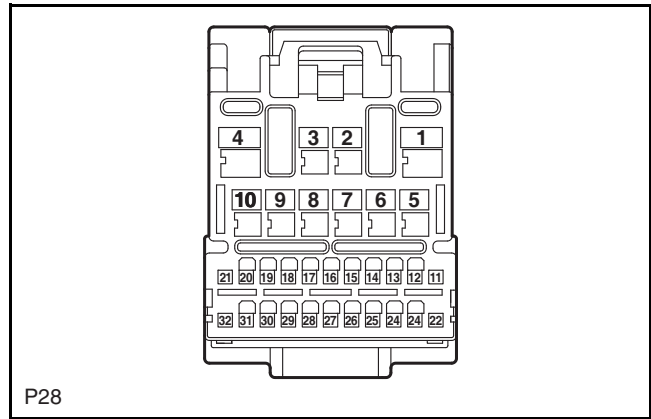
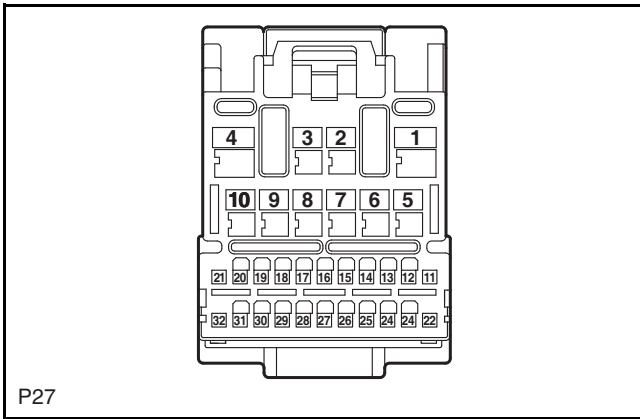
Chassis Wiring Harness to Left Rear Door Wiring Harness

Left Rear Door Wiring Harness to Chassis Wiring Harness



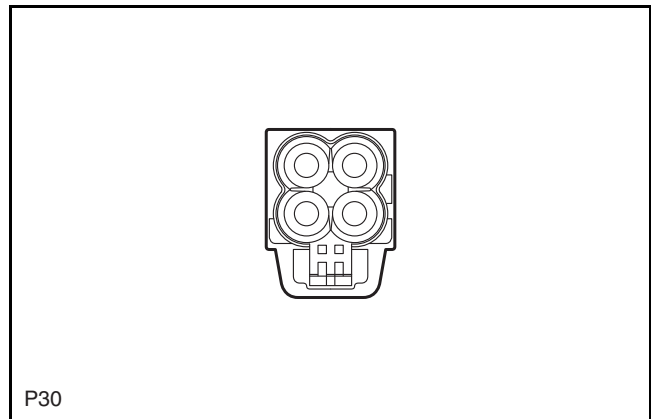
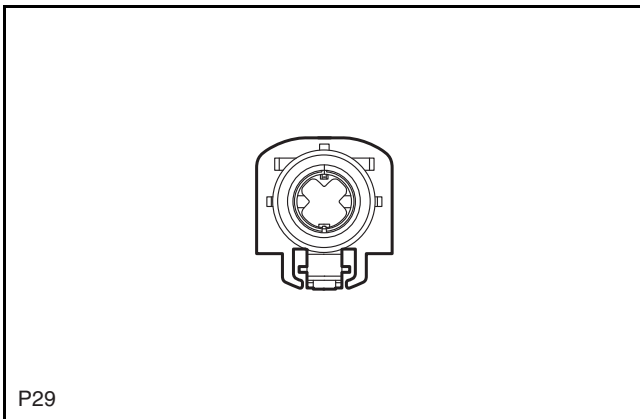
Entertainment and Audio Head Unit - A

Entertainment and Audio Head Unit - B

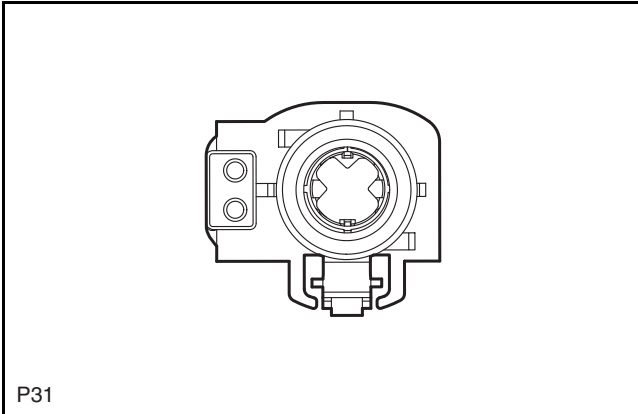


Head Unit to Instrument Cluster Display (Purple)

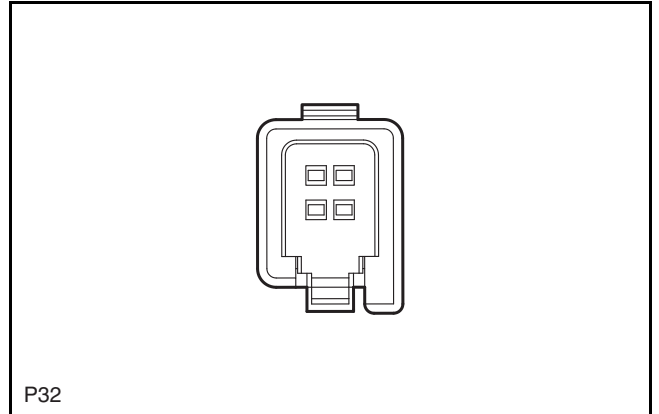
Head Unit to Panoramic Four-Way Coaxial (Black)



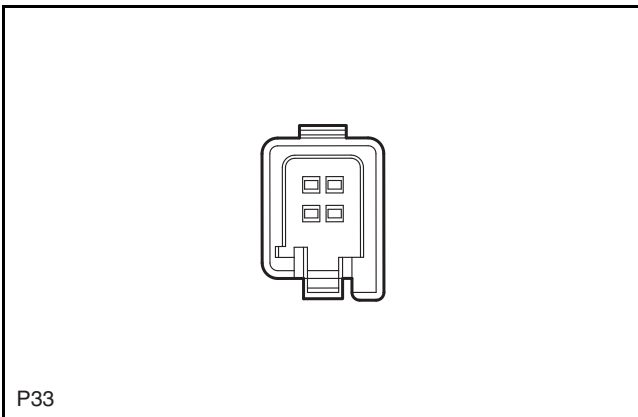
Head Unit to Front Display (White)



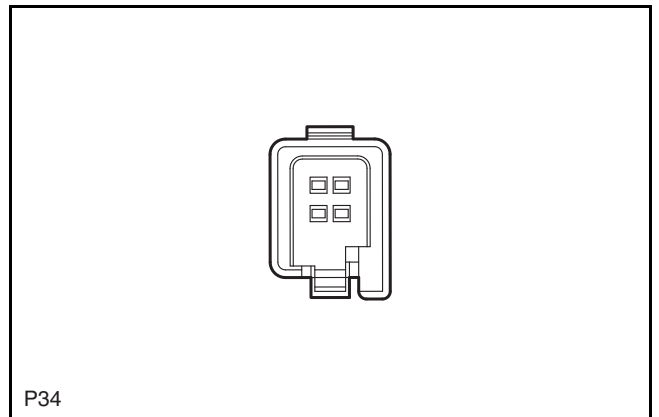
USB for User (Brown)



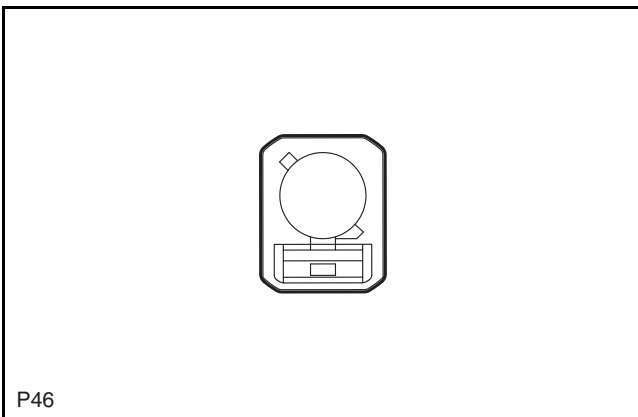
USB for Instrument Cluster (Black)



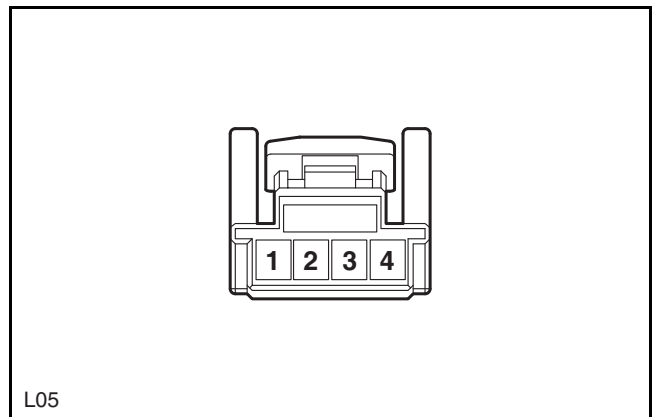
USB for Drive Recorder (Green)



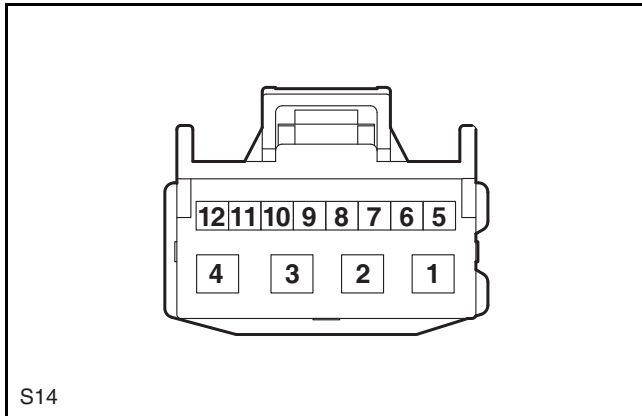
Head Unit to GPS Feeder (Gray)



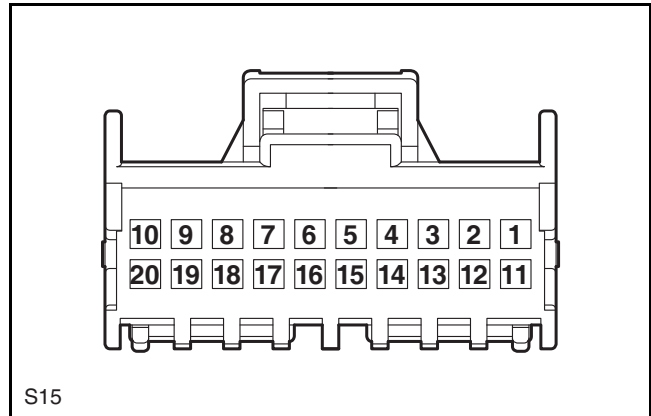
Microphone



External Power Amplifier A

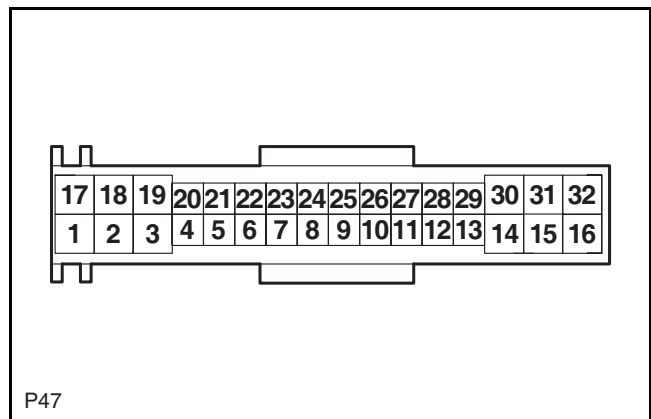
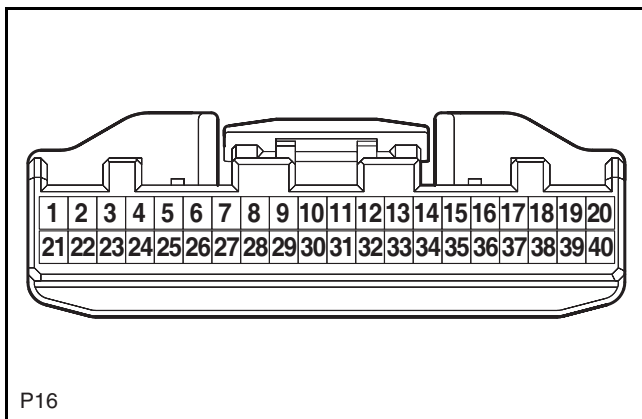


External Power Amplifier B



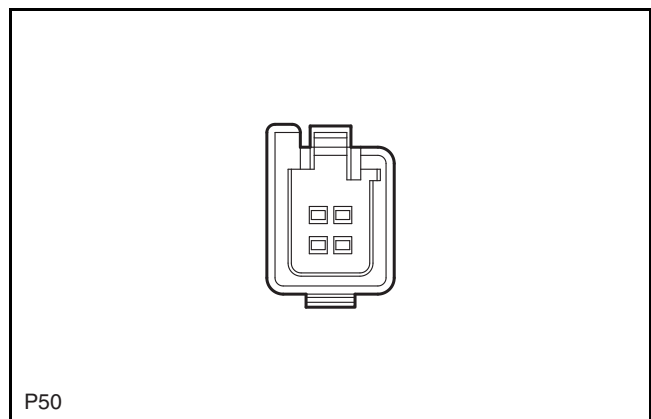
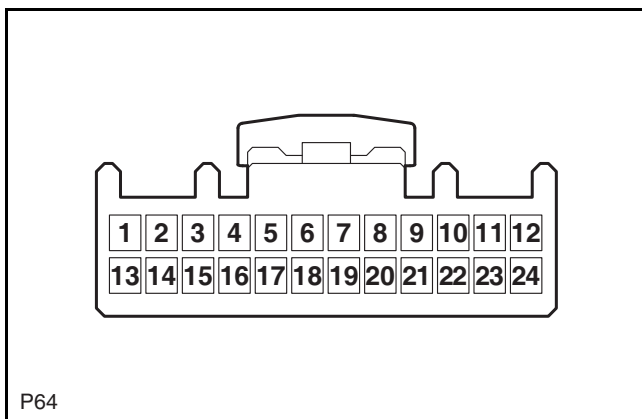
TBOX

IBCM-J2



Central Box Switch Box a

Instrument Cluster Display USB

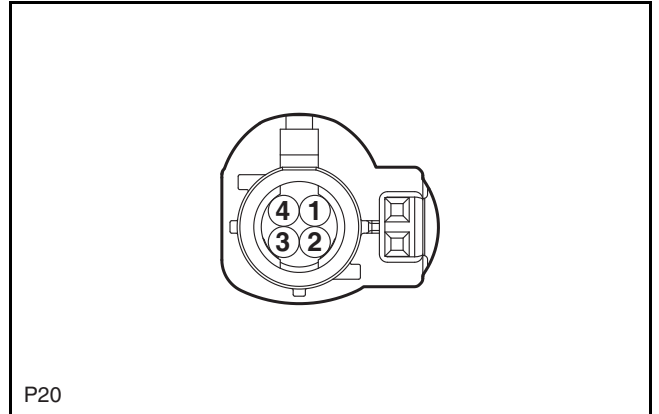
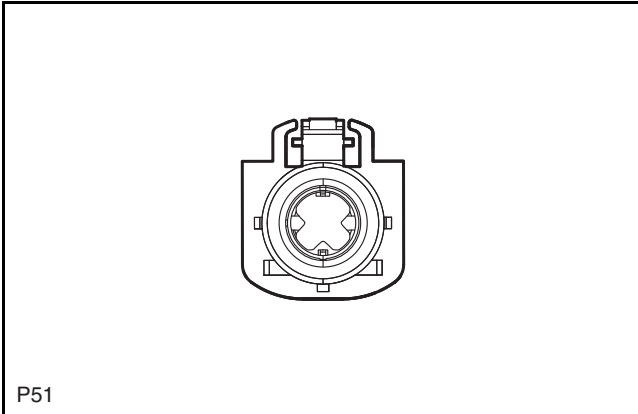


P64

P50

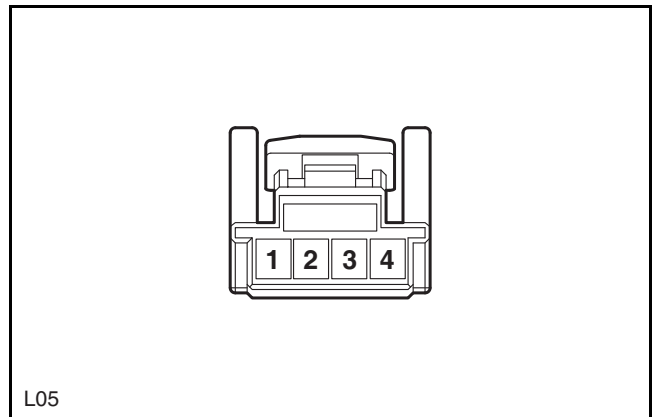
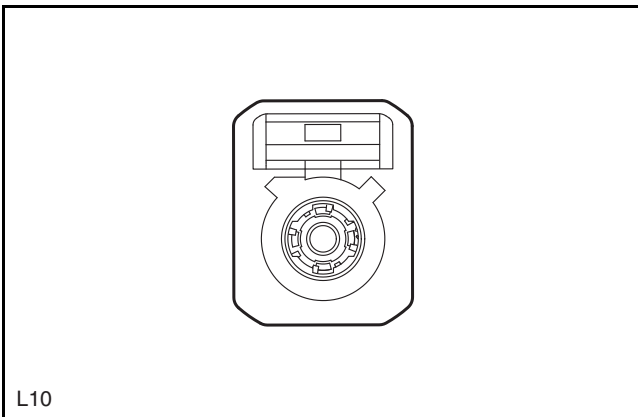
Instrument Cluster Display LVDS (Purple)

Front Display



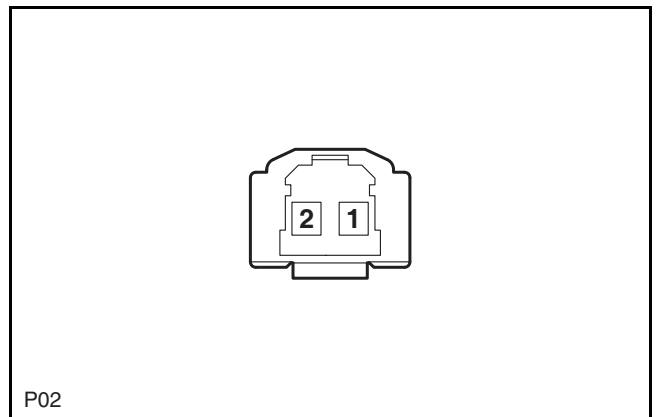
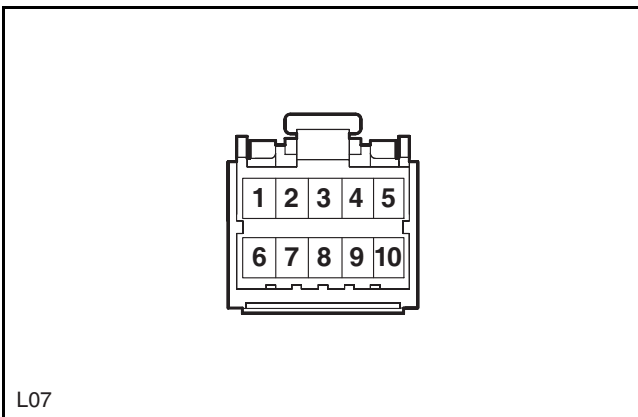
GPS Antenna

Microphone



SOS Switch

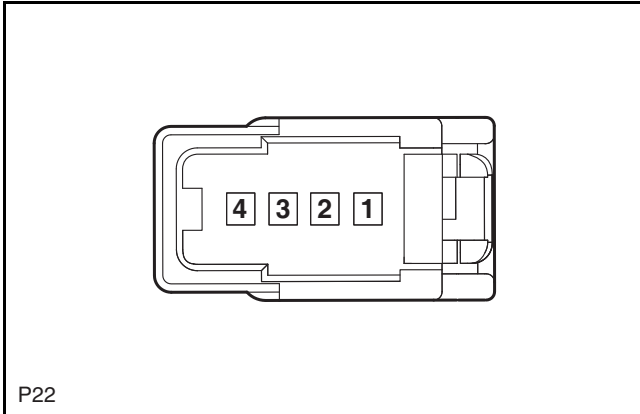
SOS Speaker



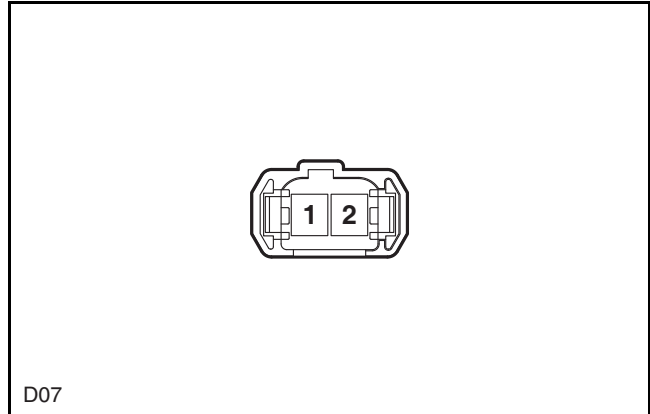
L07

P02

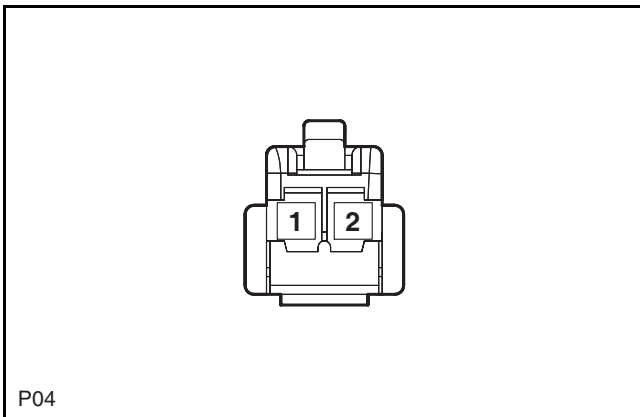
Drive Recorder



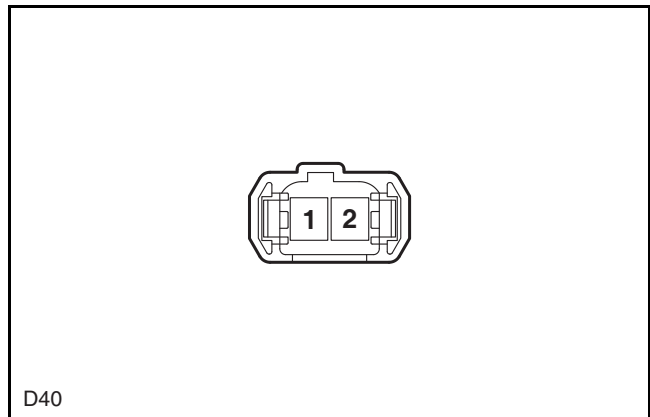
Left Front Woofer



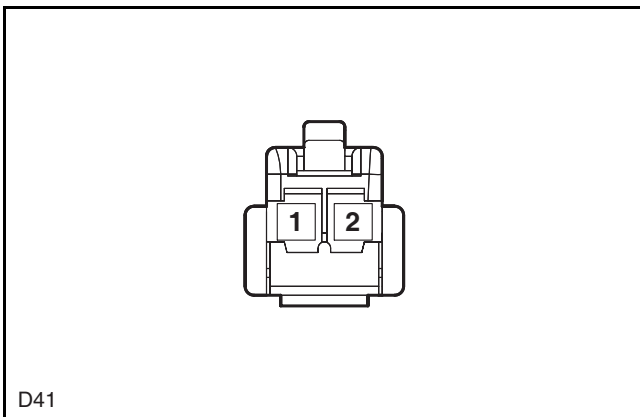
Left Front Tweeter



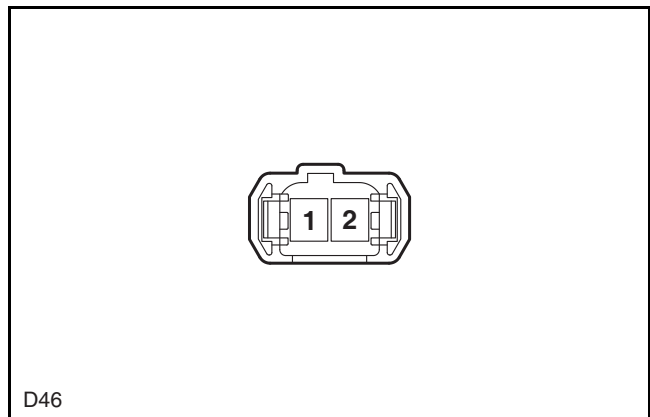
Left Rear Woofer



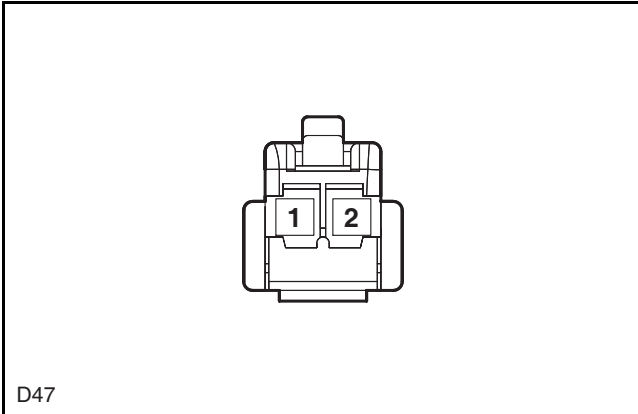
Left Rear Tweeter



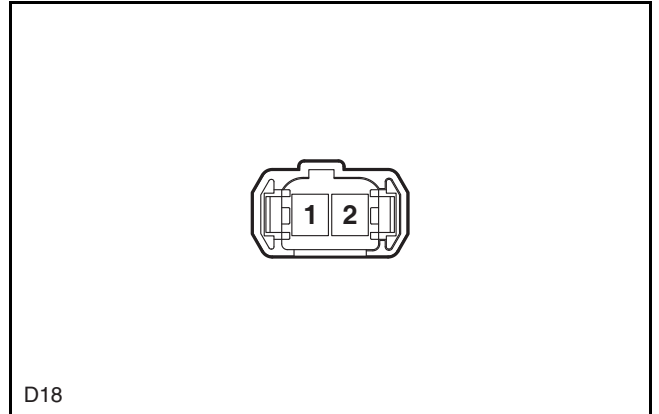
Right Rear Woofer



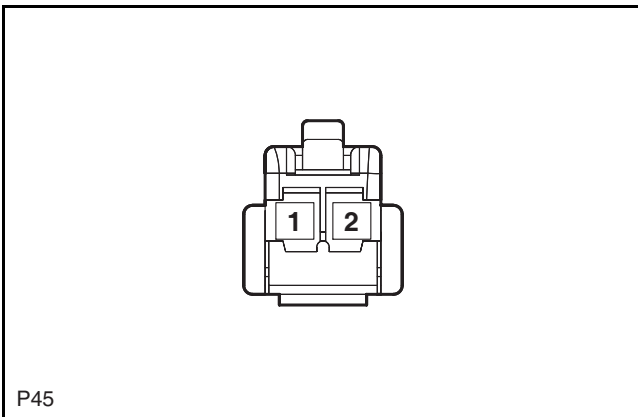
Right Rear Tweeter



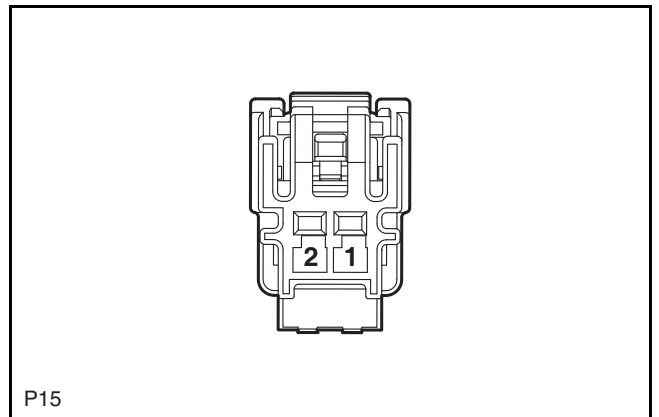
Right Front Woofer



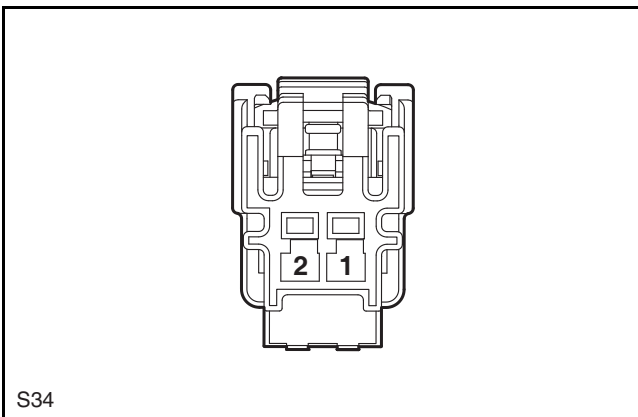
Right Front Tweeter



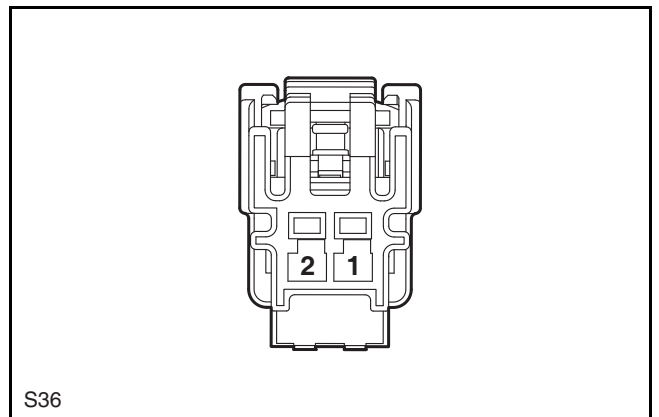
Center Speaker



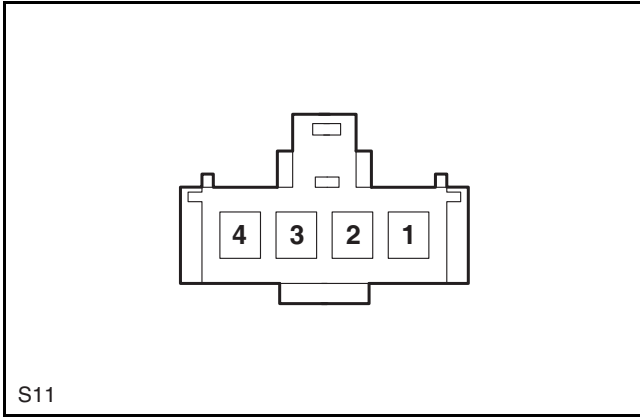
Left Rear Surround Speaker



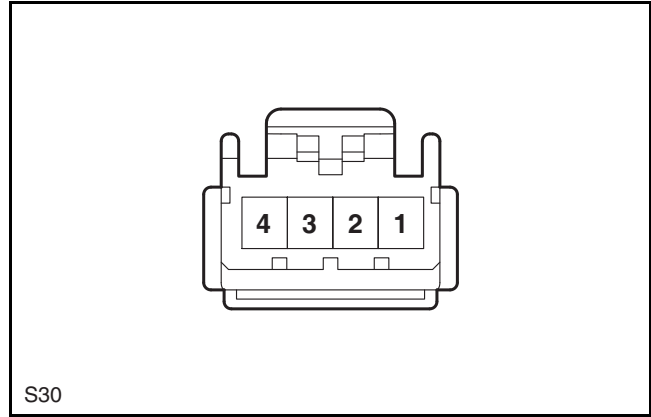
Right Rear Surround Speaker



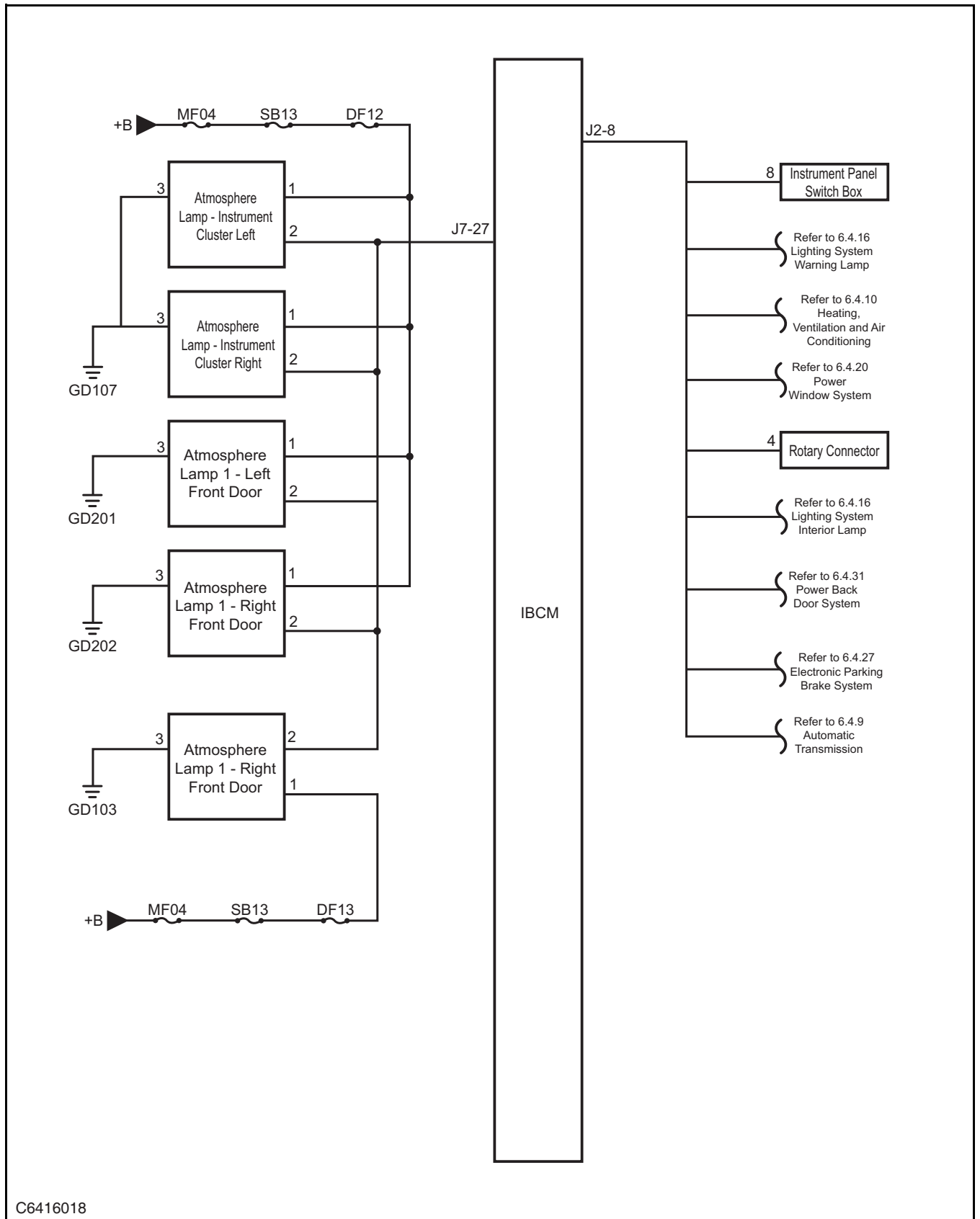
Headrest Speaker



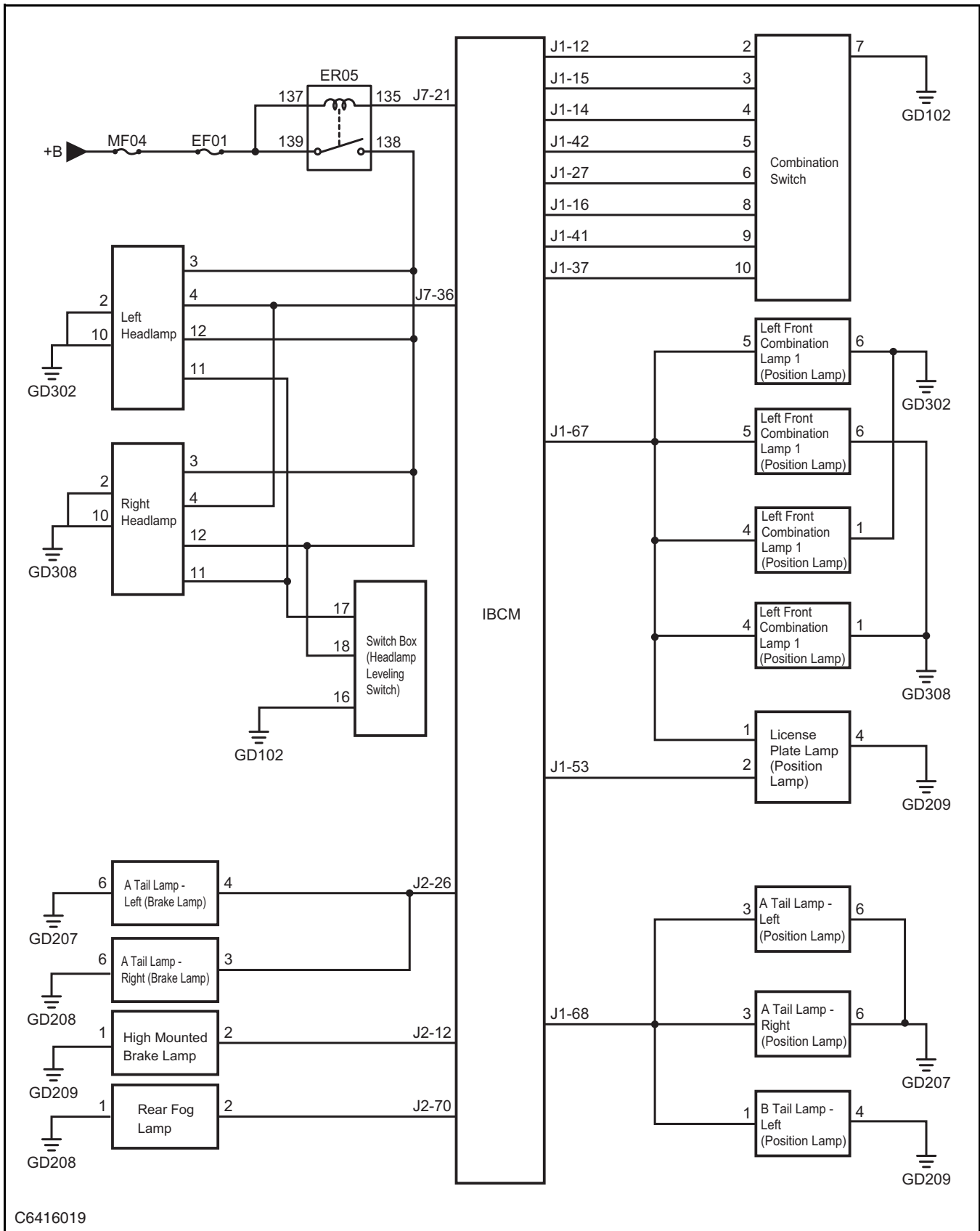
Subwoofer

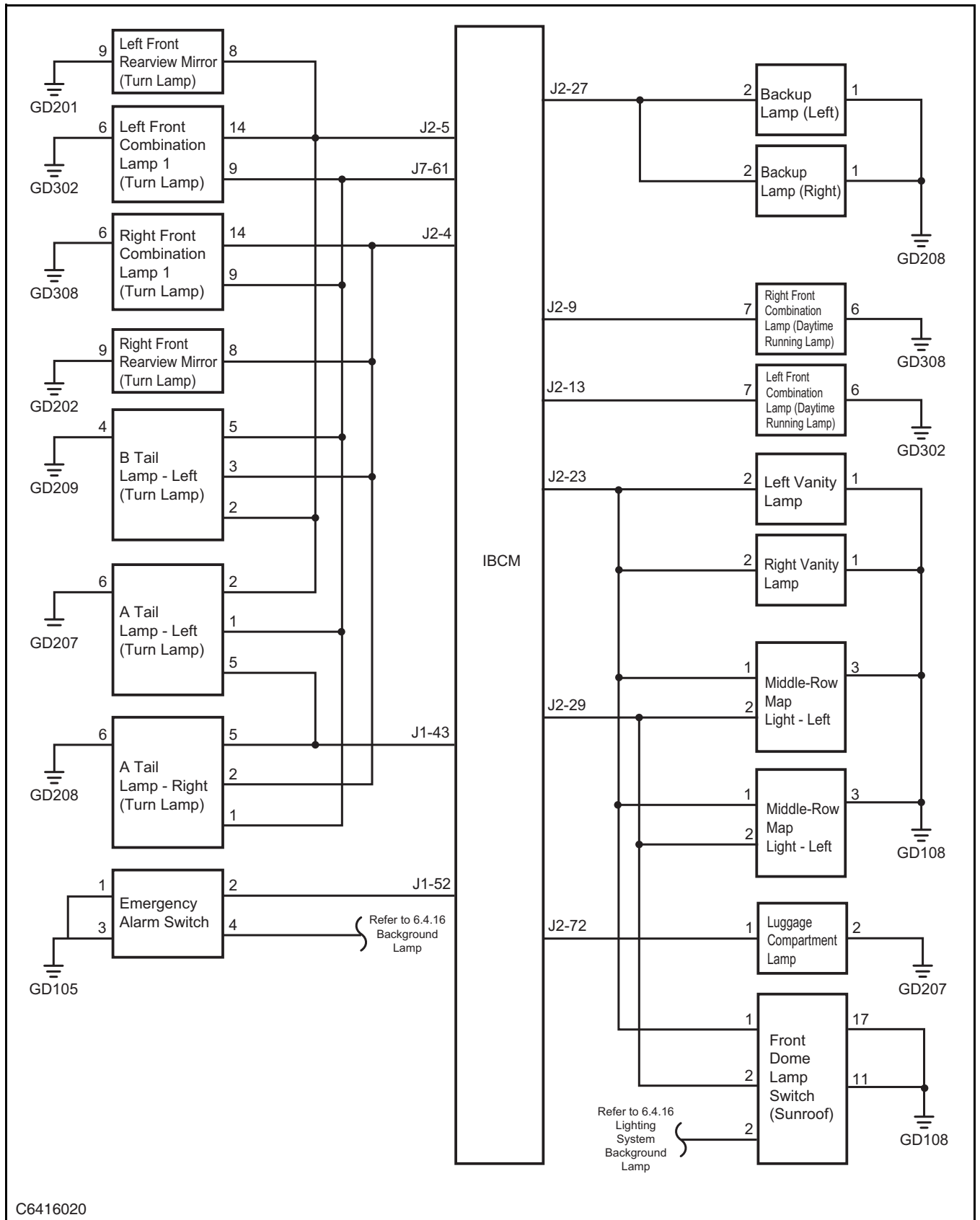


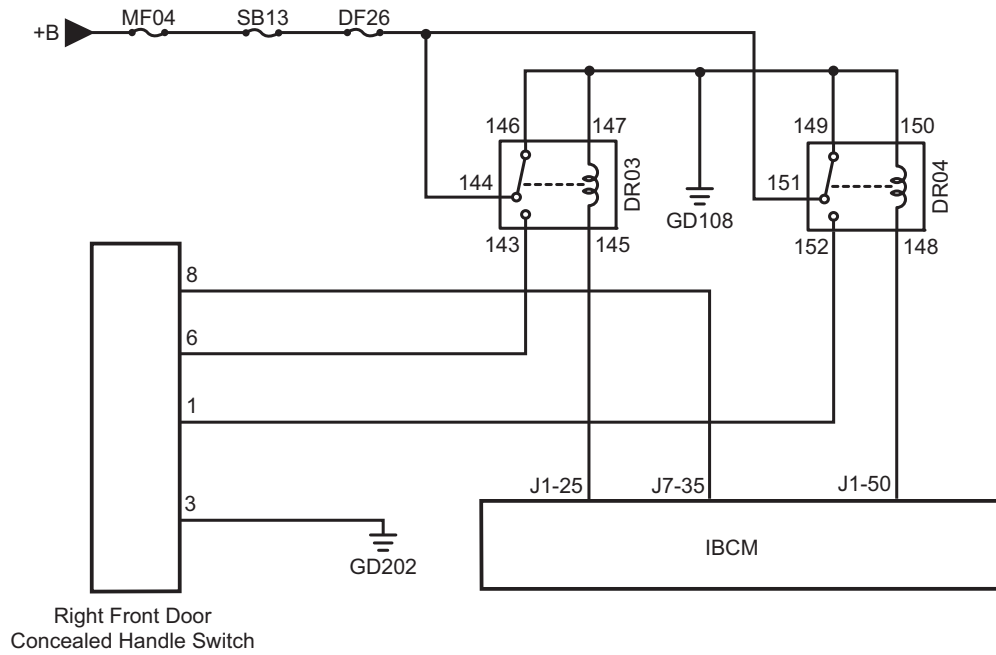
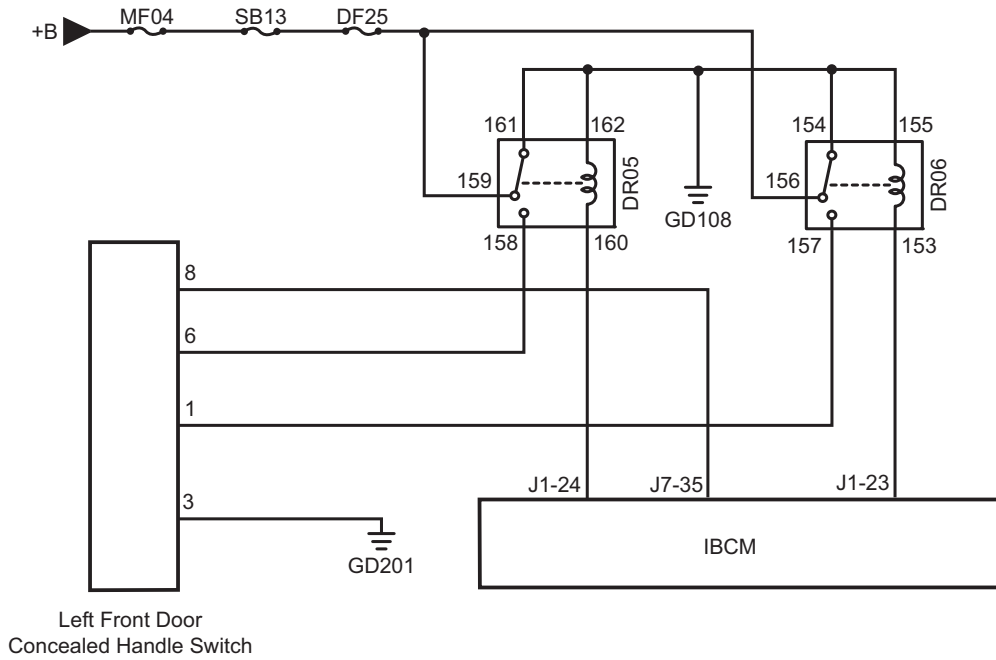
Lighting System



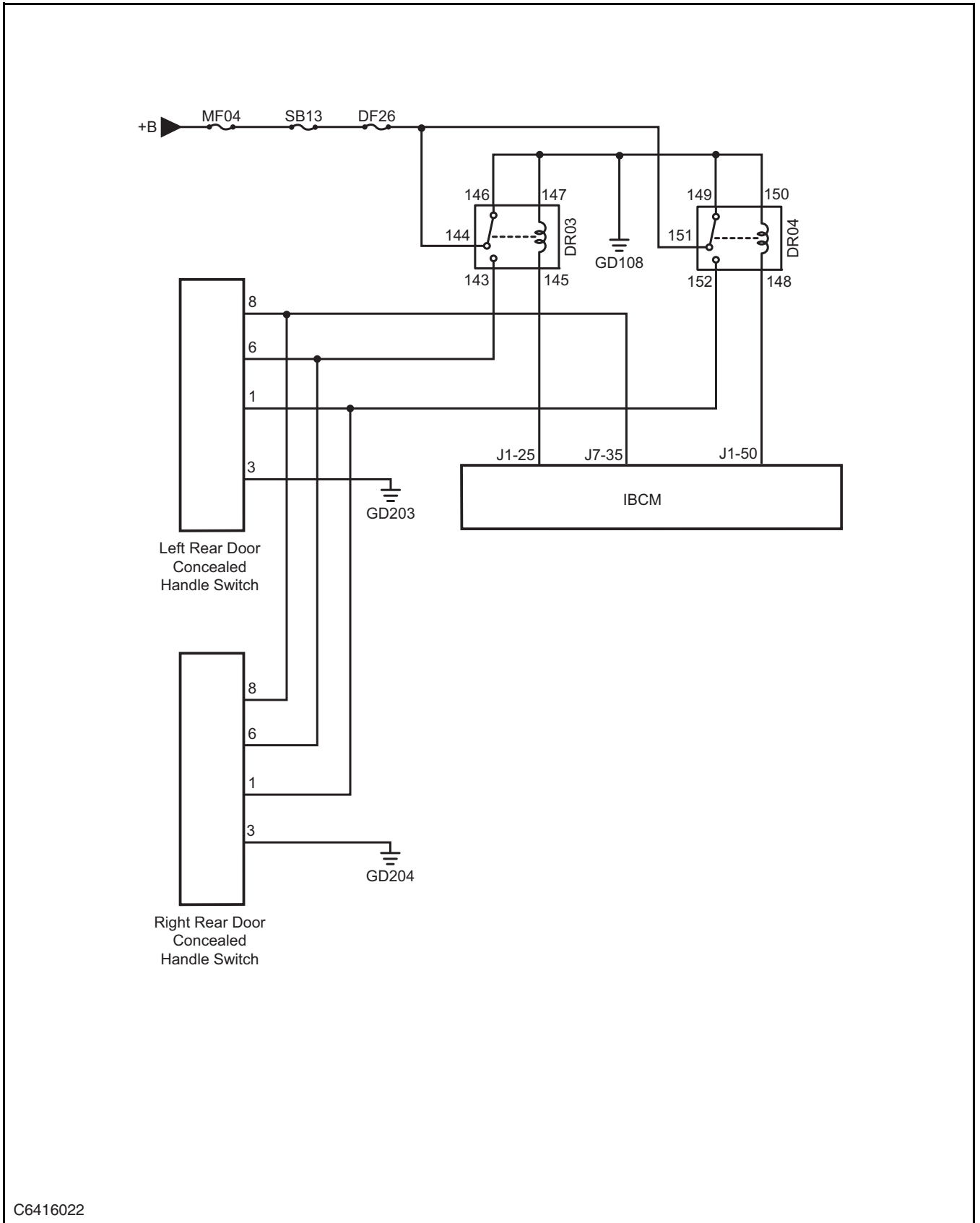
C6416018





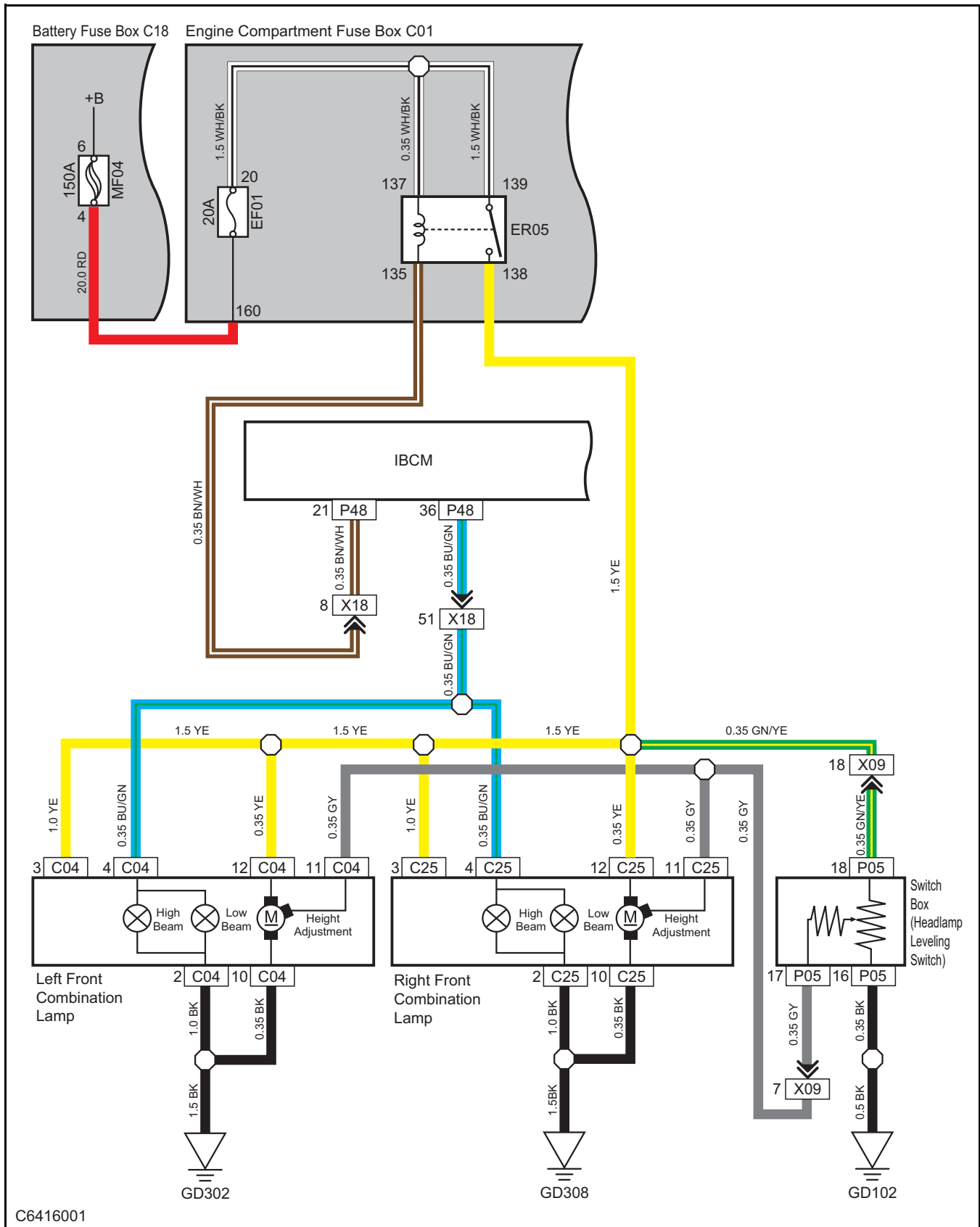


C6416021

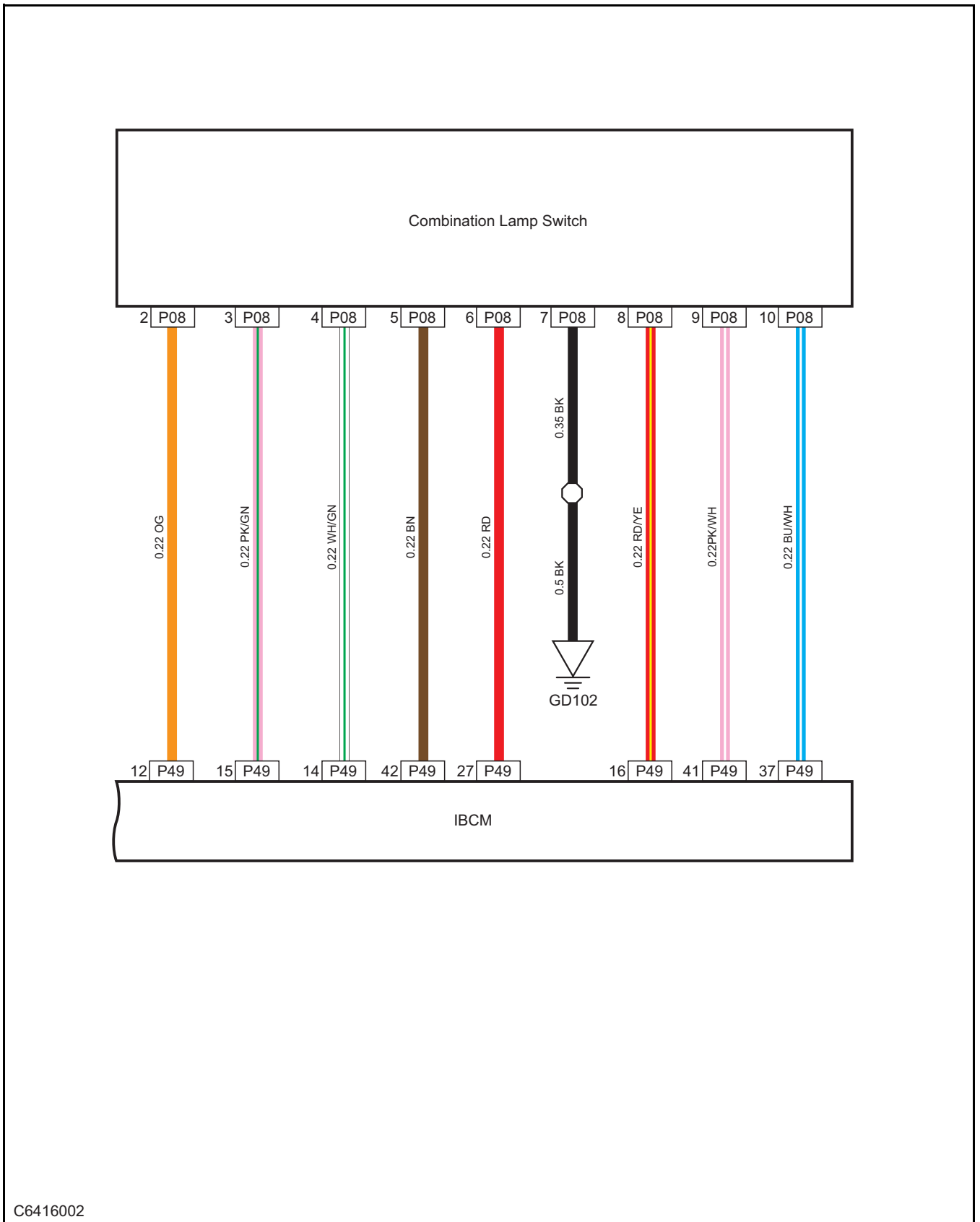


C6416022

Headlamp

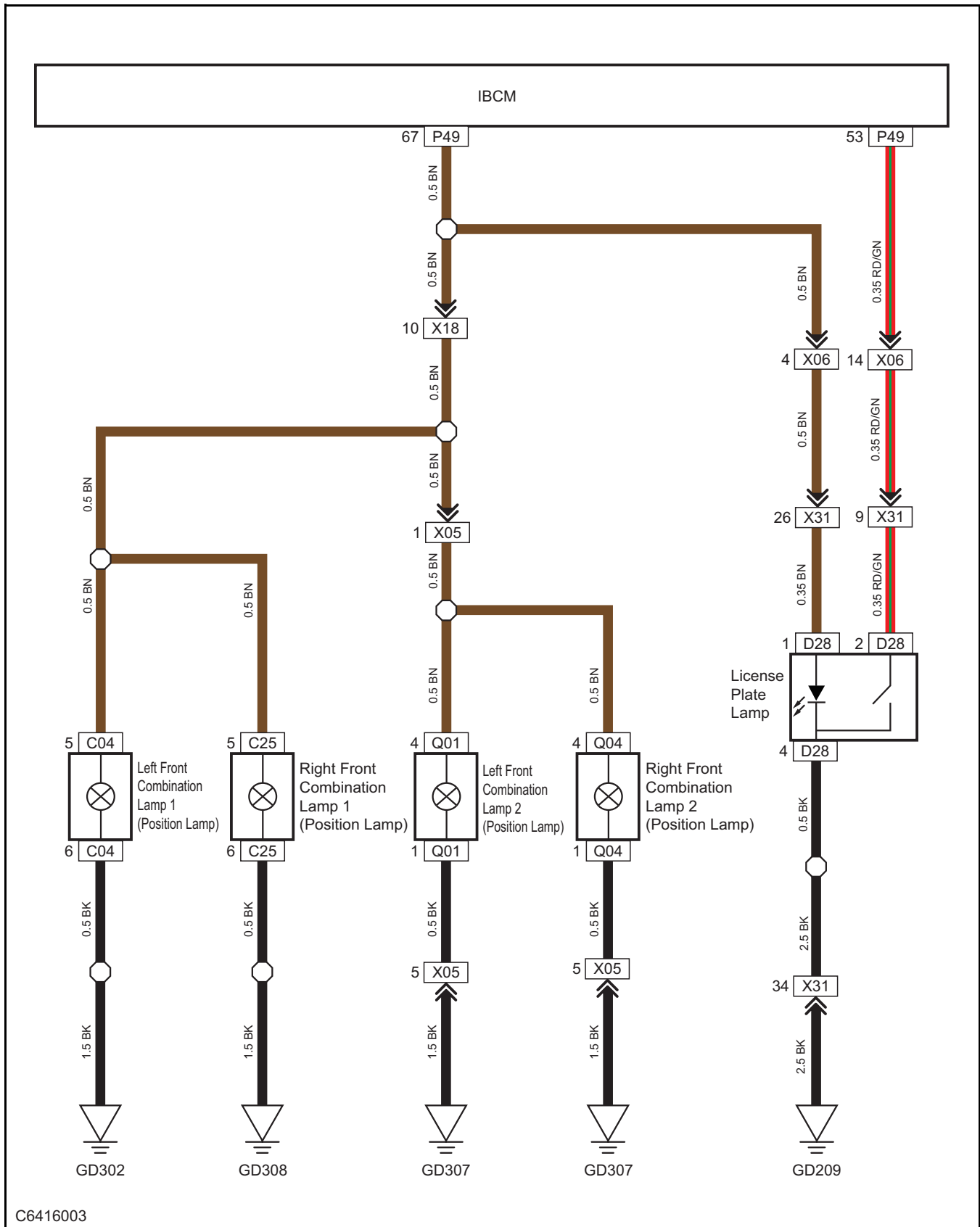


Combination Lamp Switch



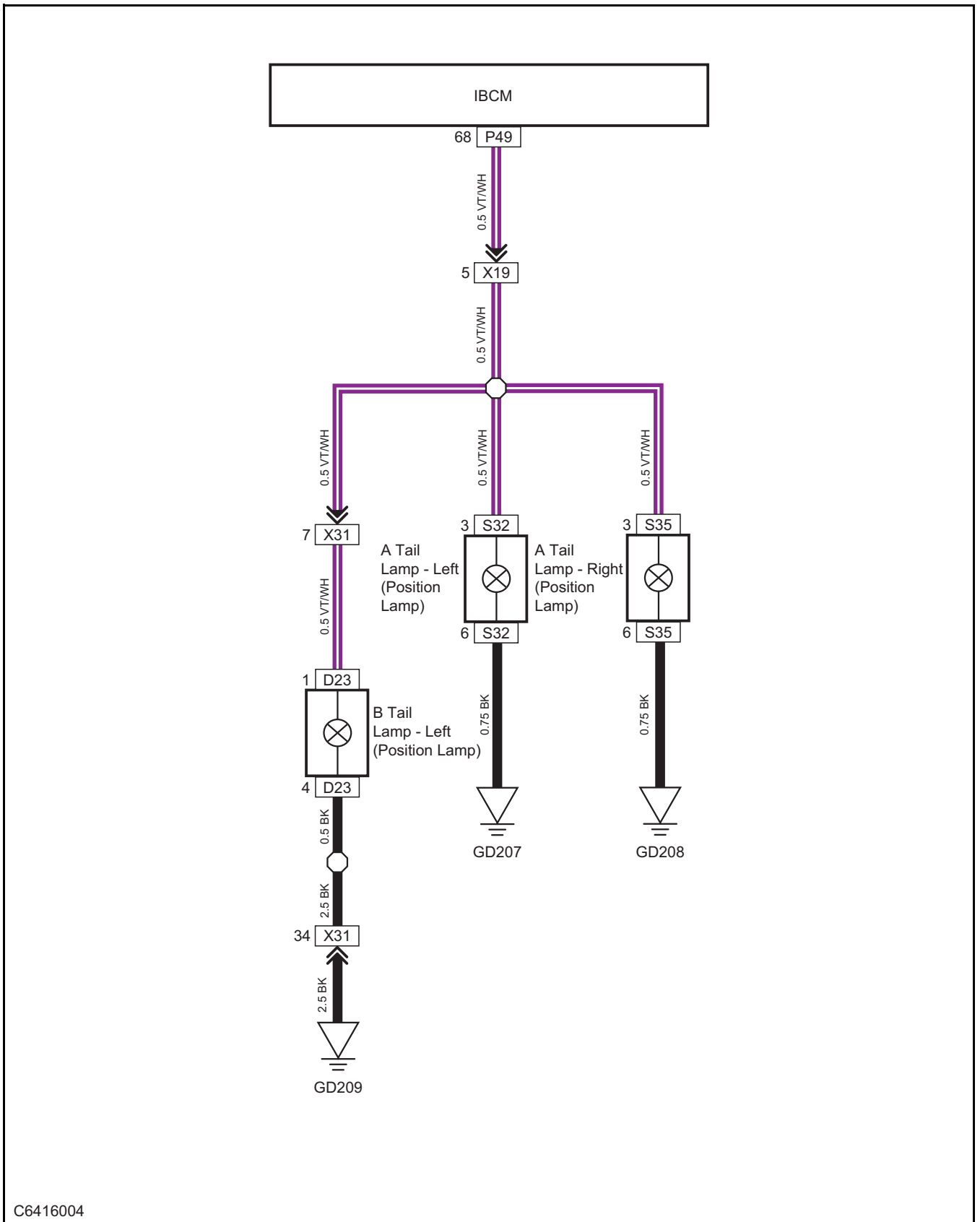
C6416002

Position Lamp-1



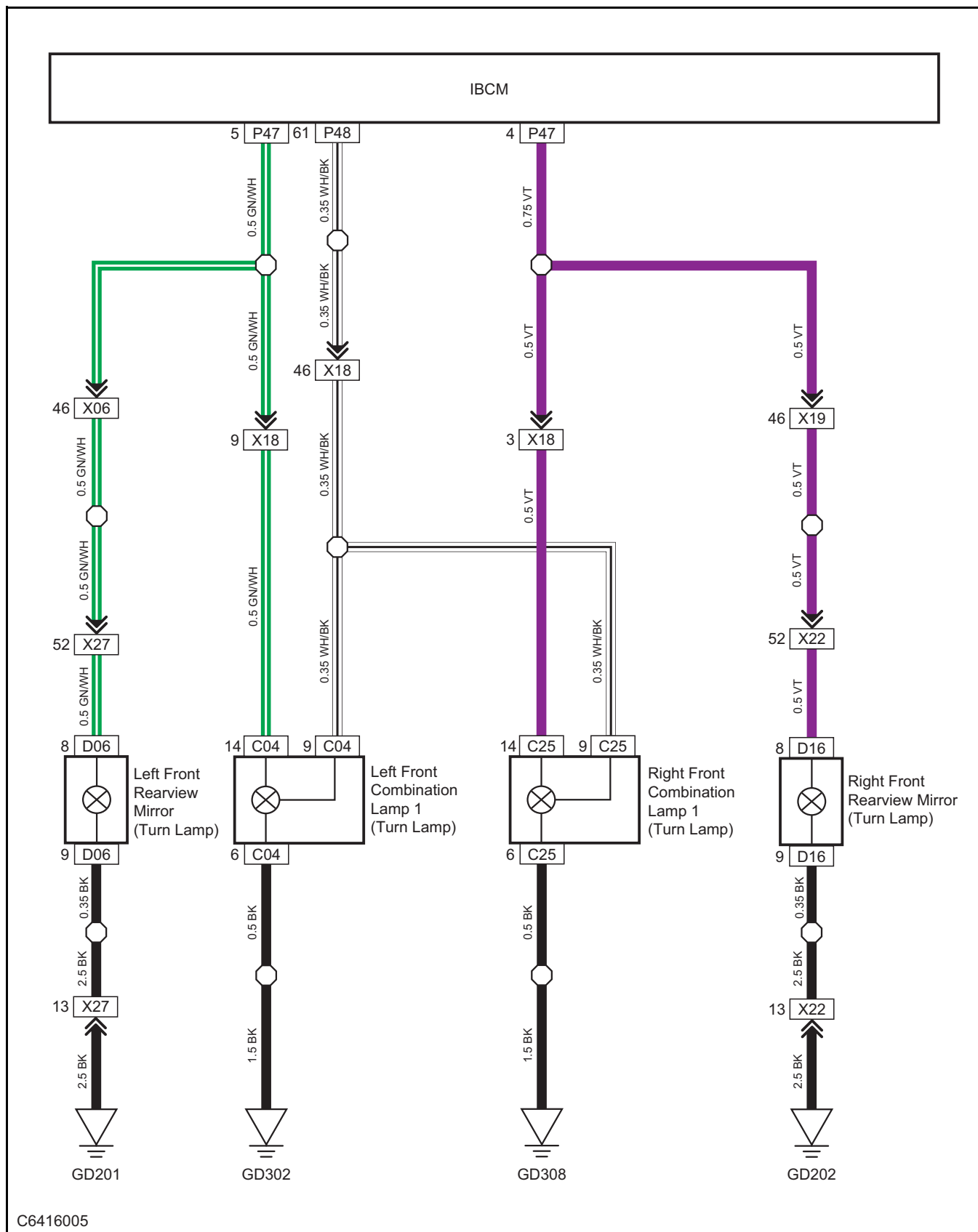
C6416003

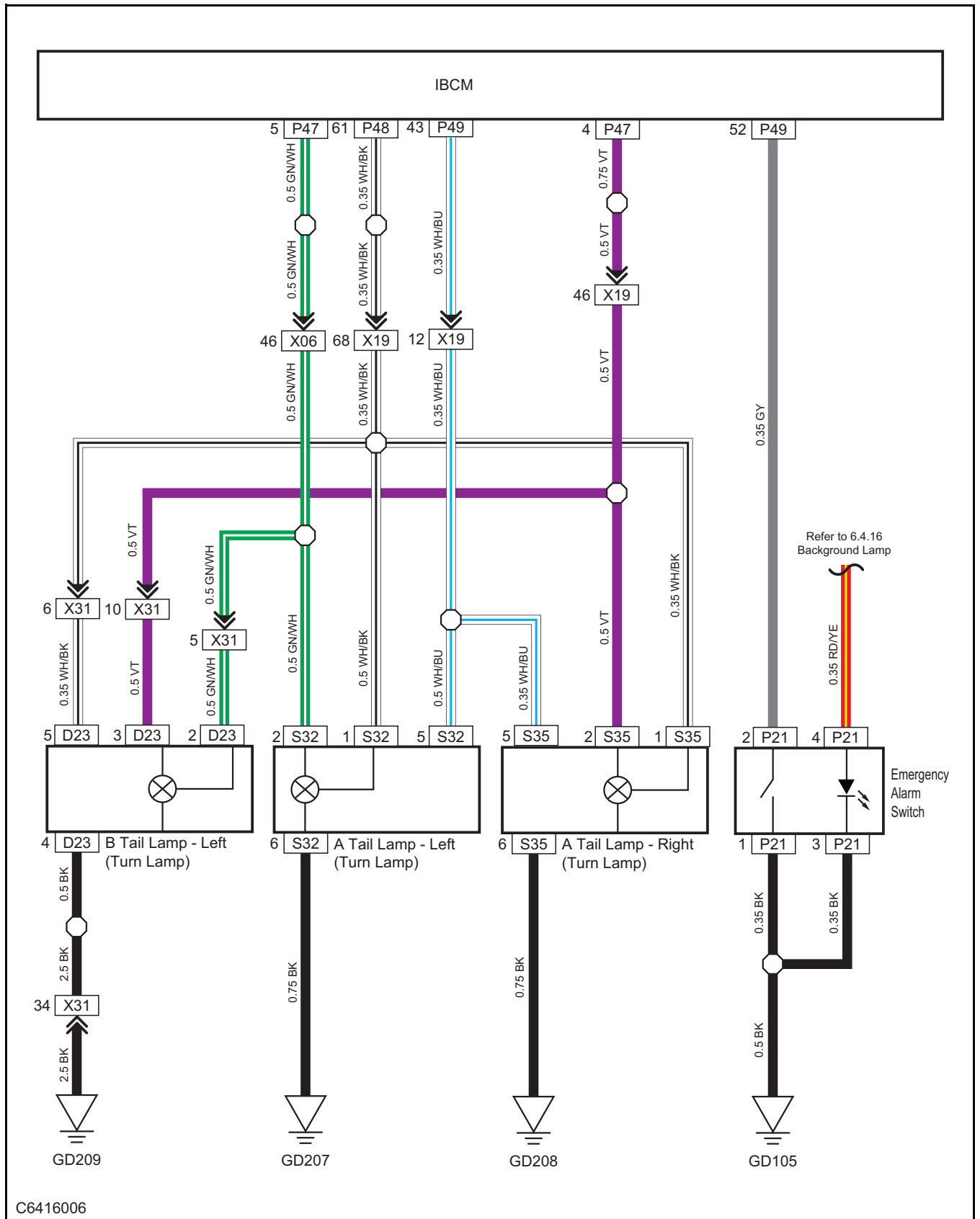
Position Lamp-2



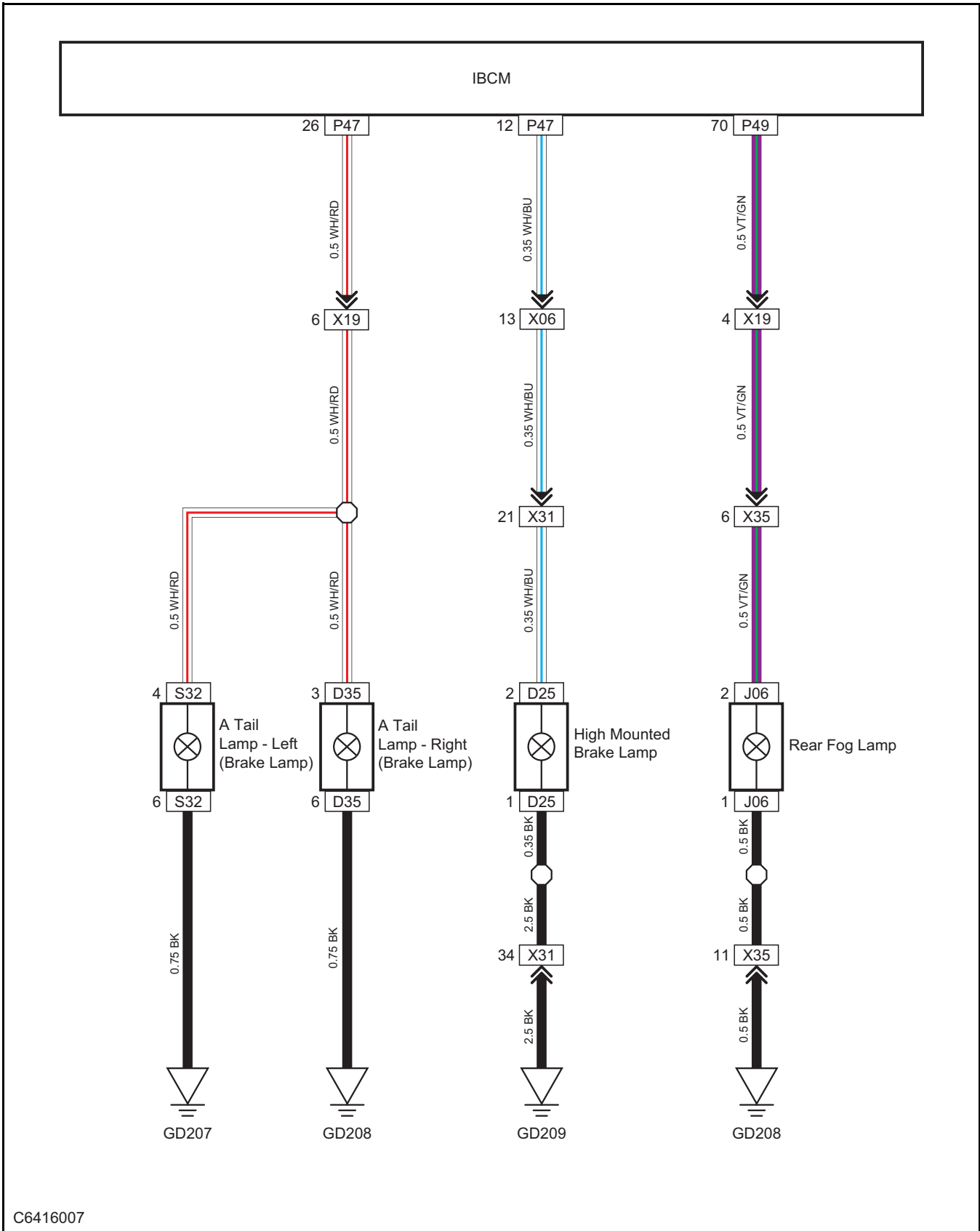
C6416004

Turn/Warning Lamp

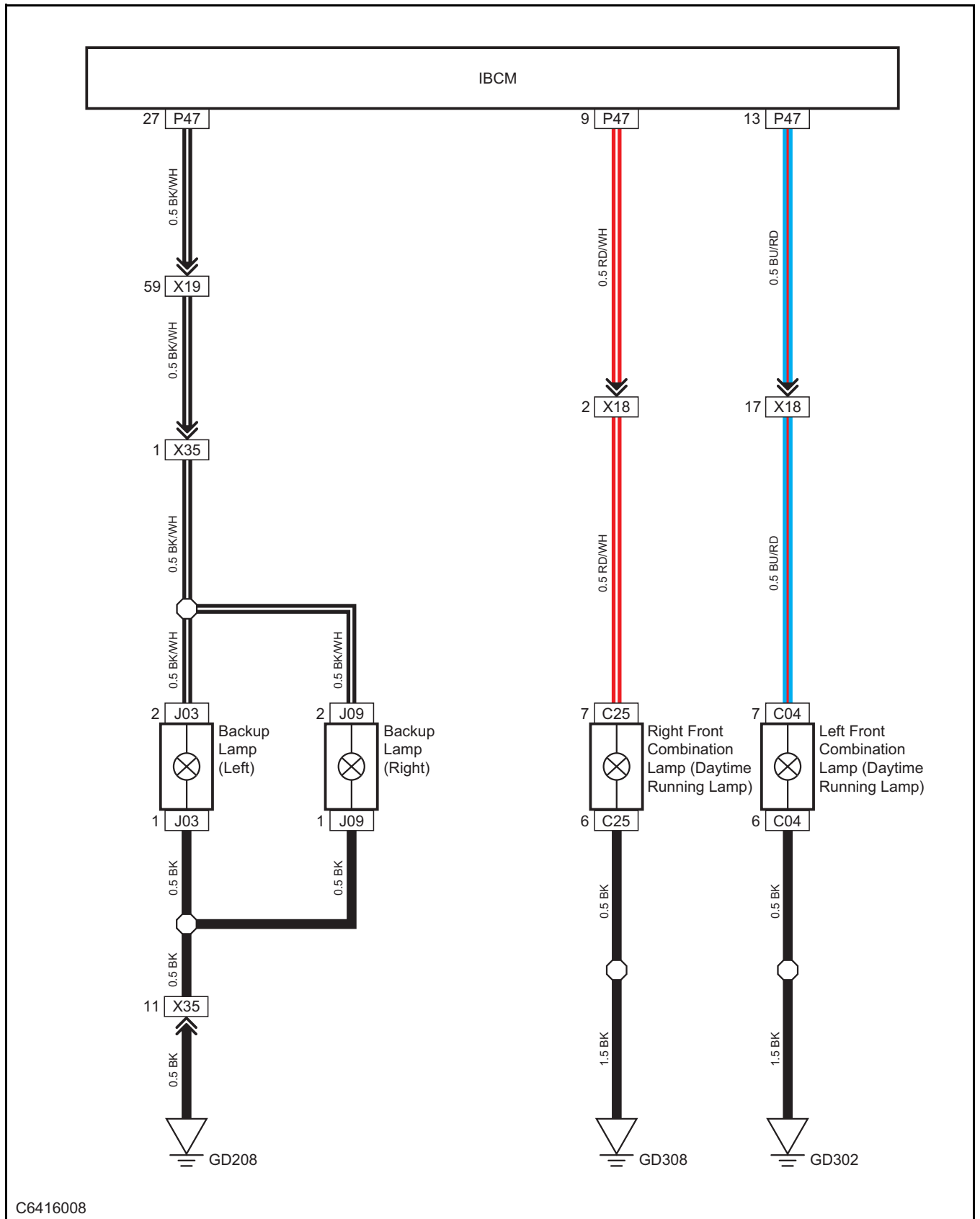




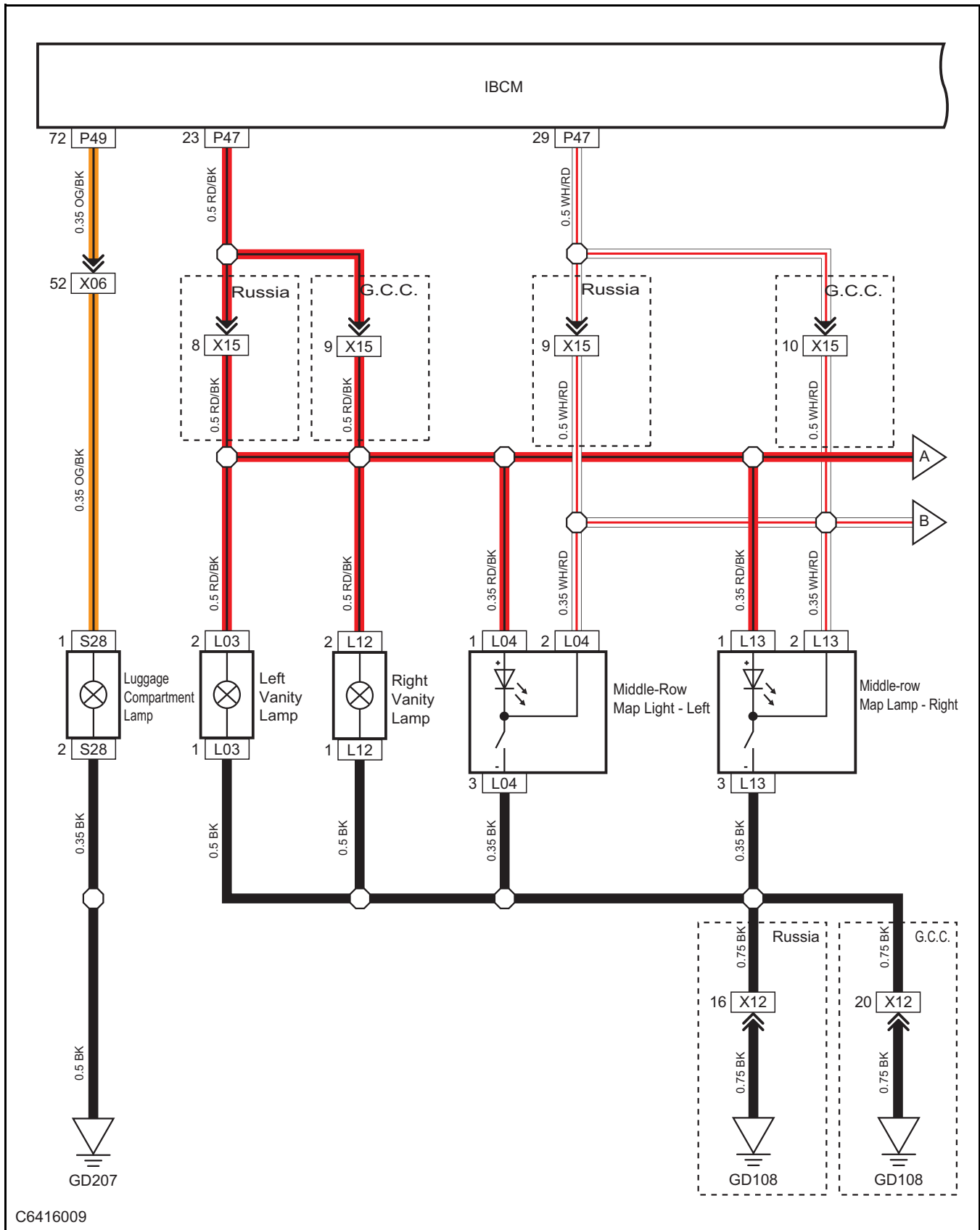
Brake Lamp/Rear Fog Lamp



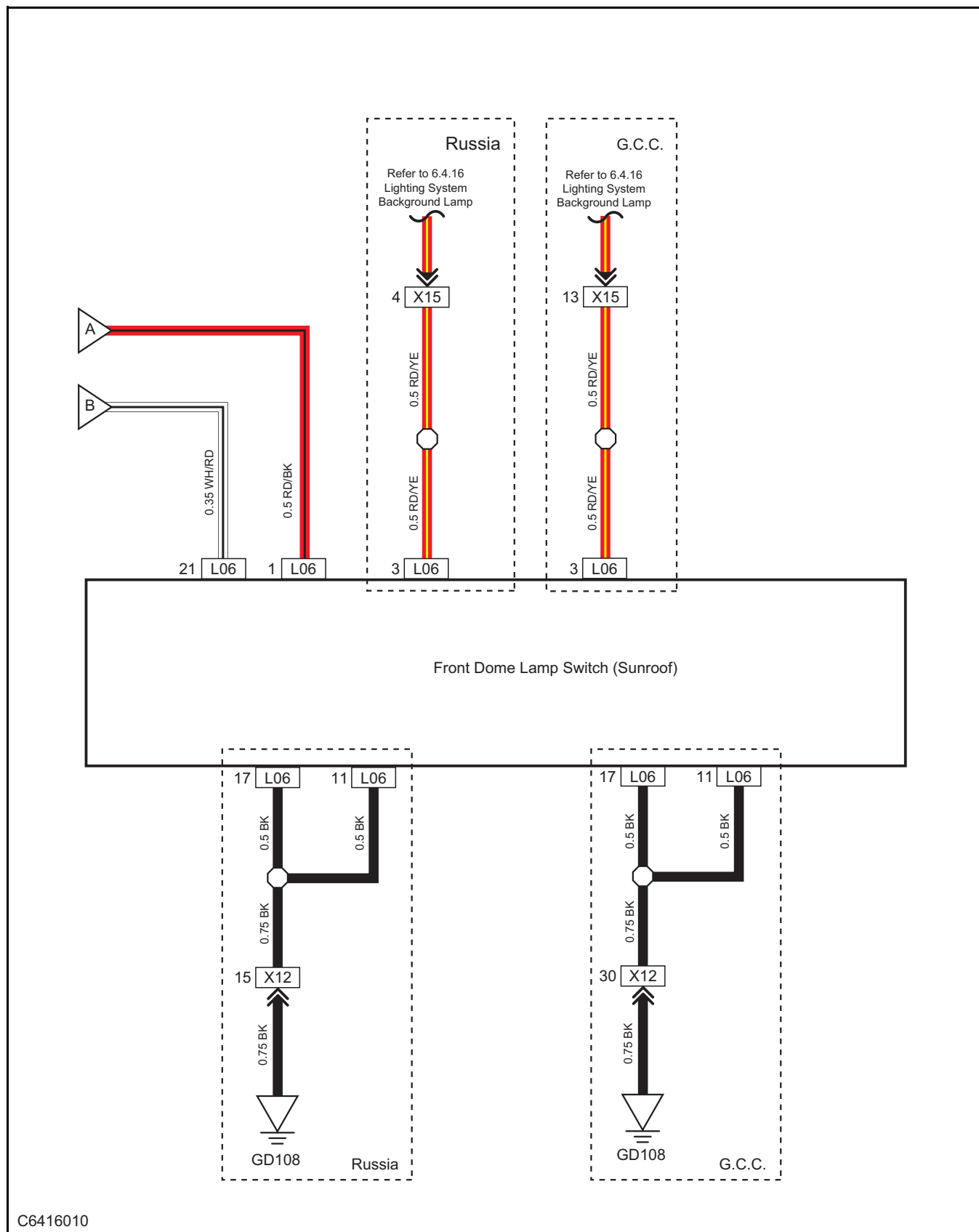
Reversing Lamp/Daytime Running Lamp



Indoor Lamp-1

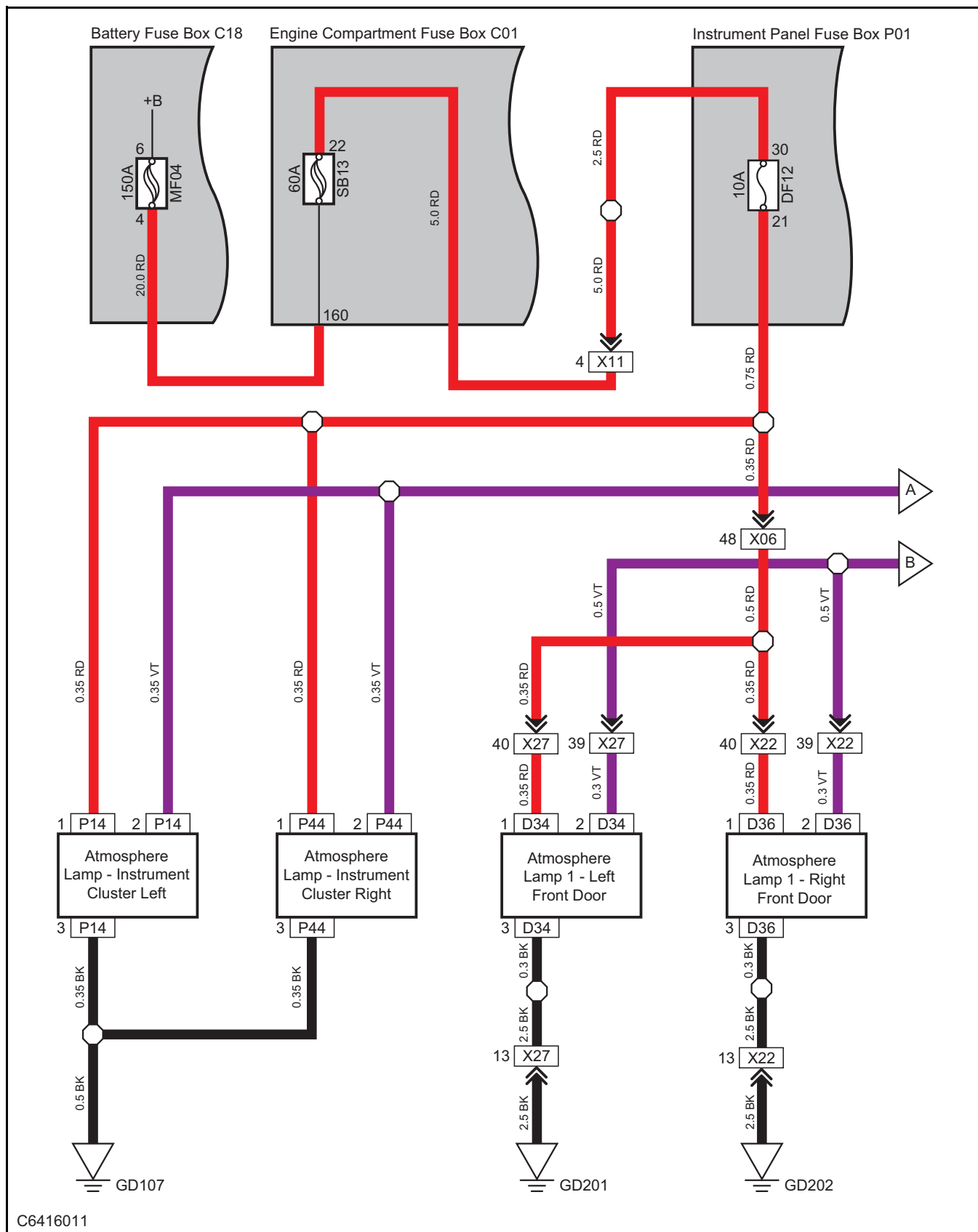


Indoor Lamp-2

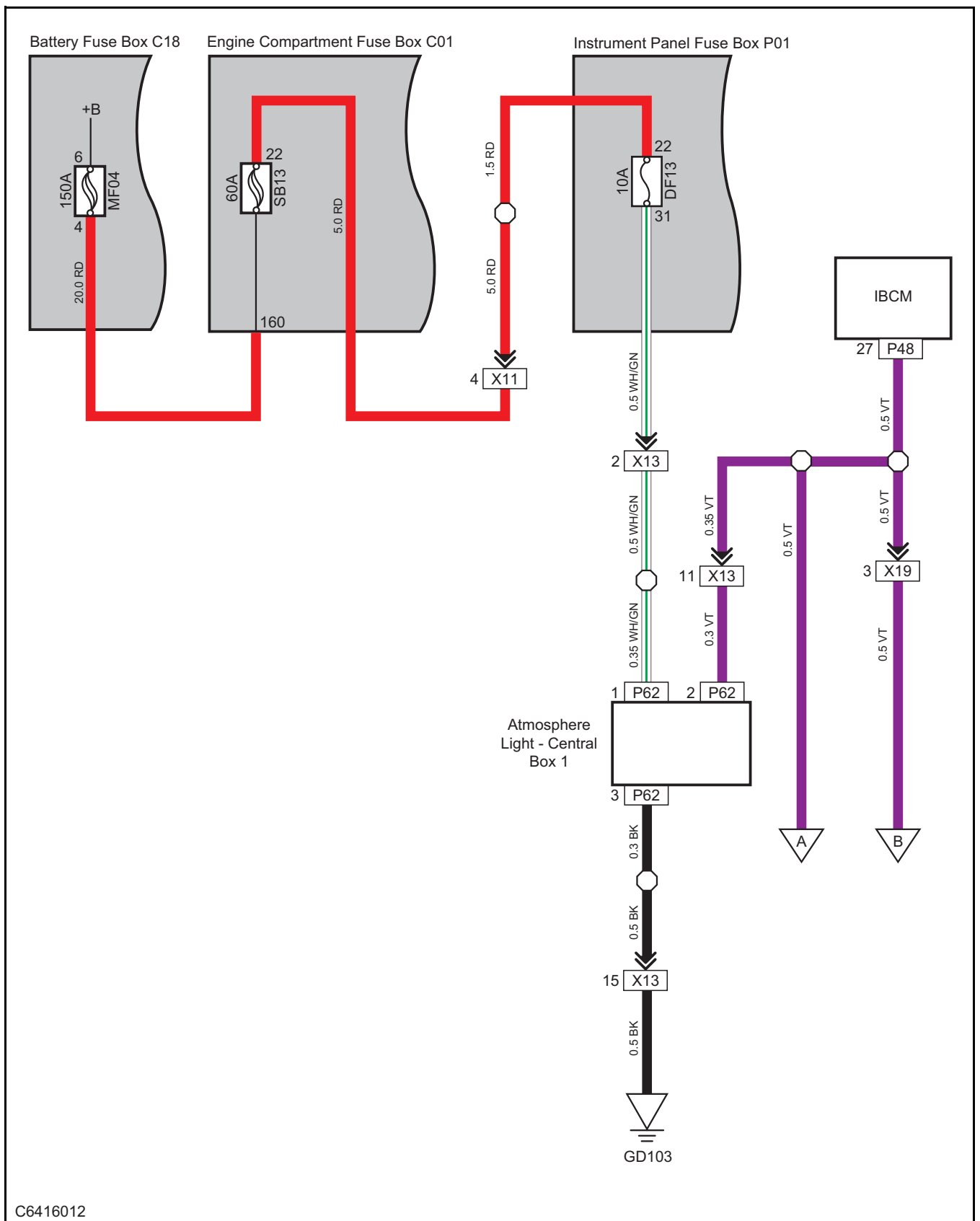


C6416010

Atmosphere Lamp-1

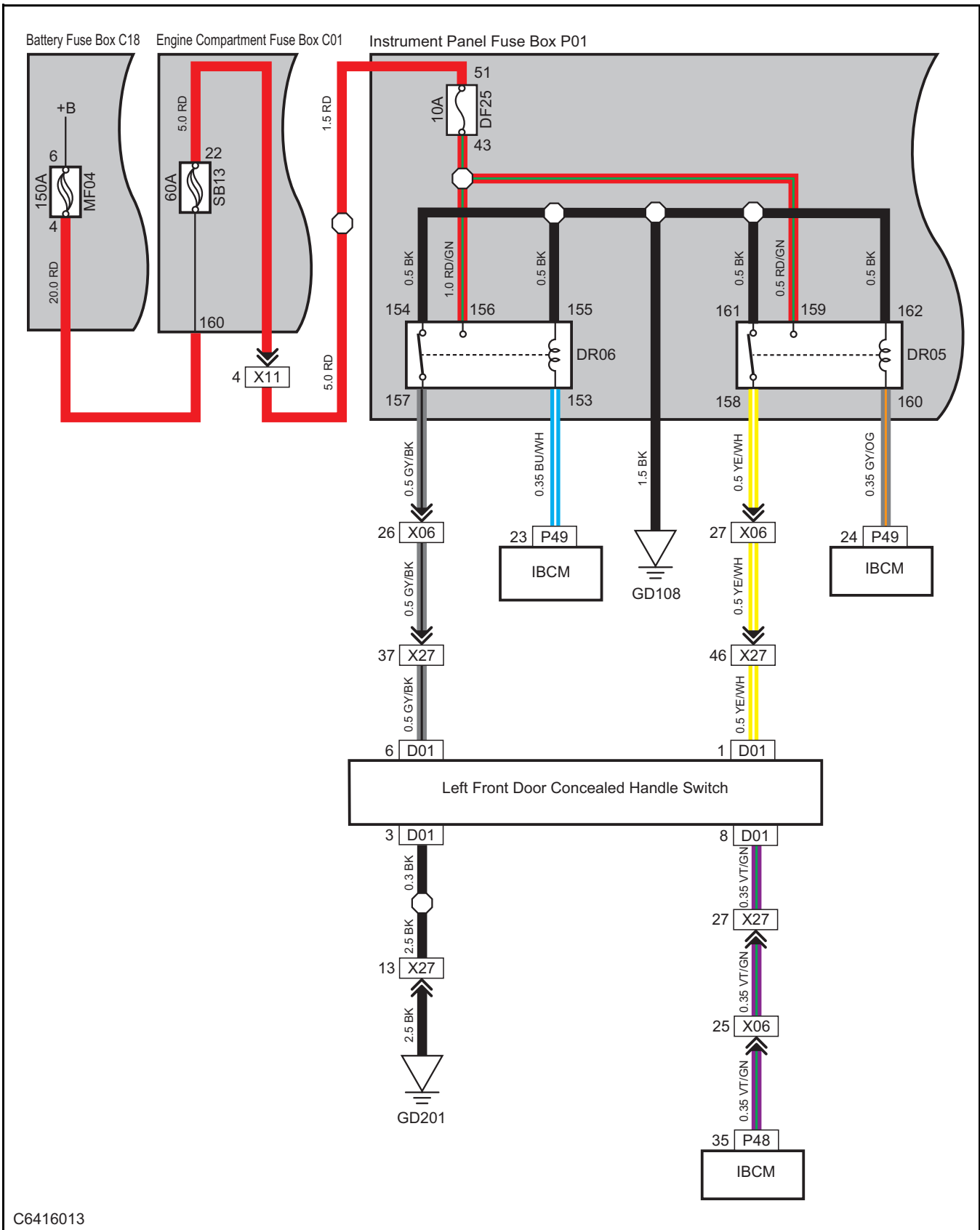


Atmosphere Lamp-2



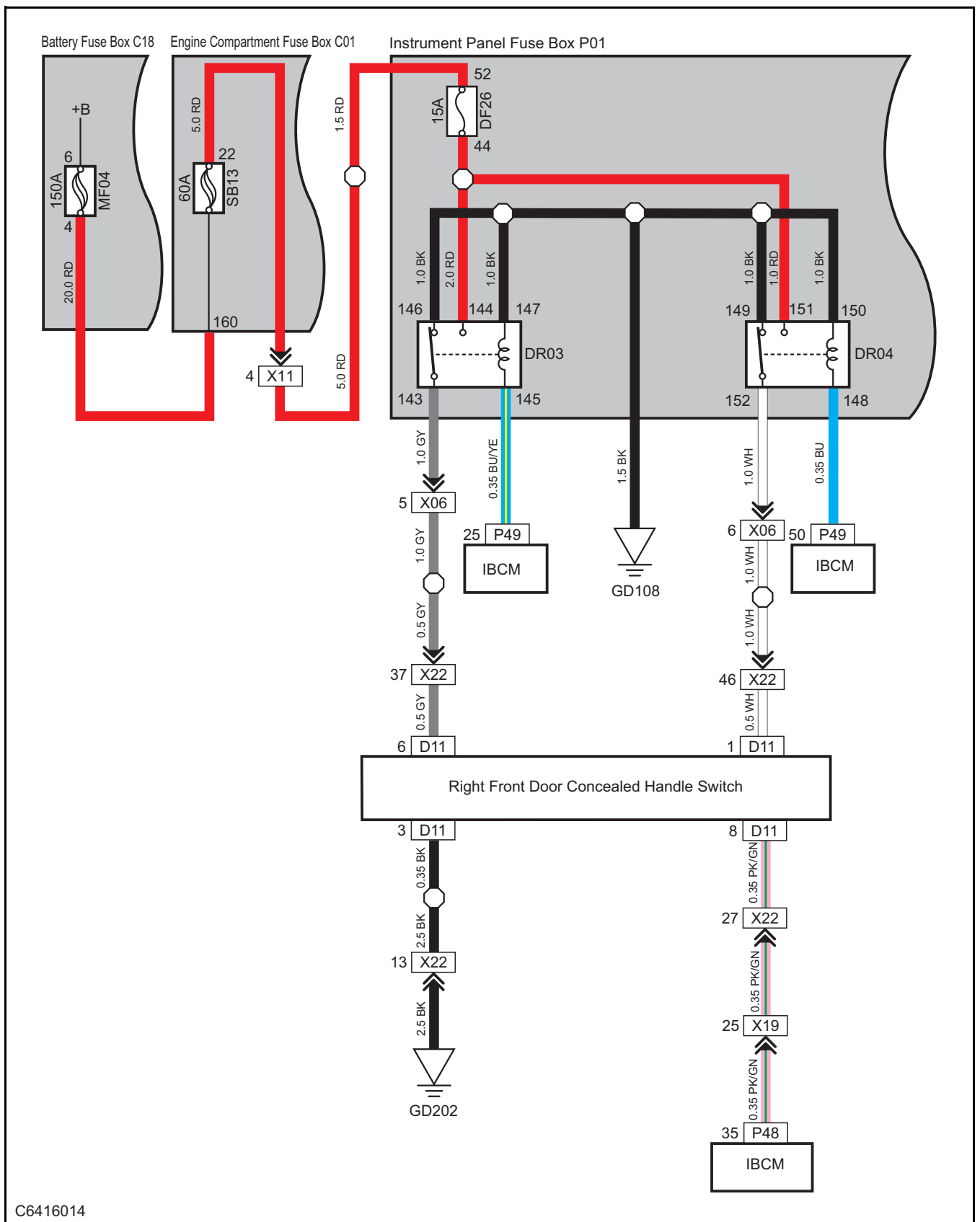
C6416012

Atmosphere Lamp-3



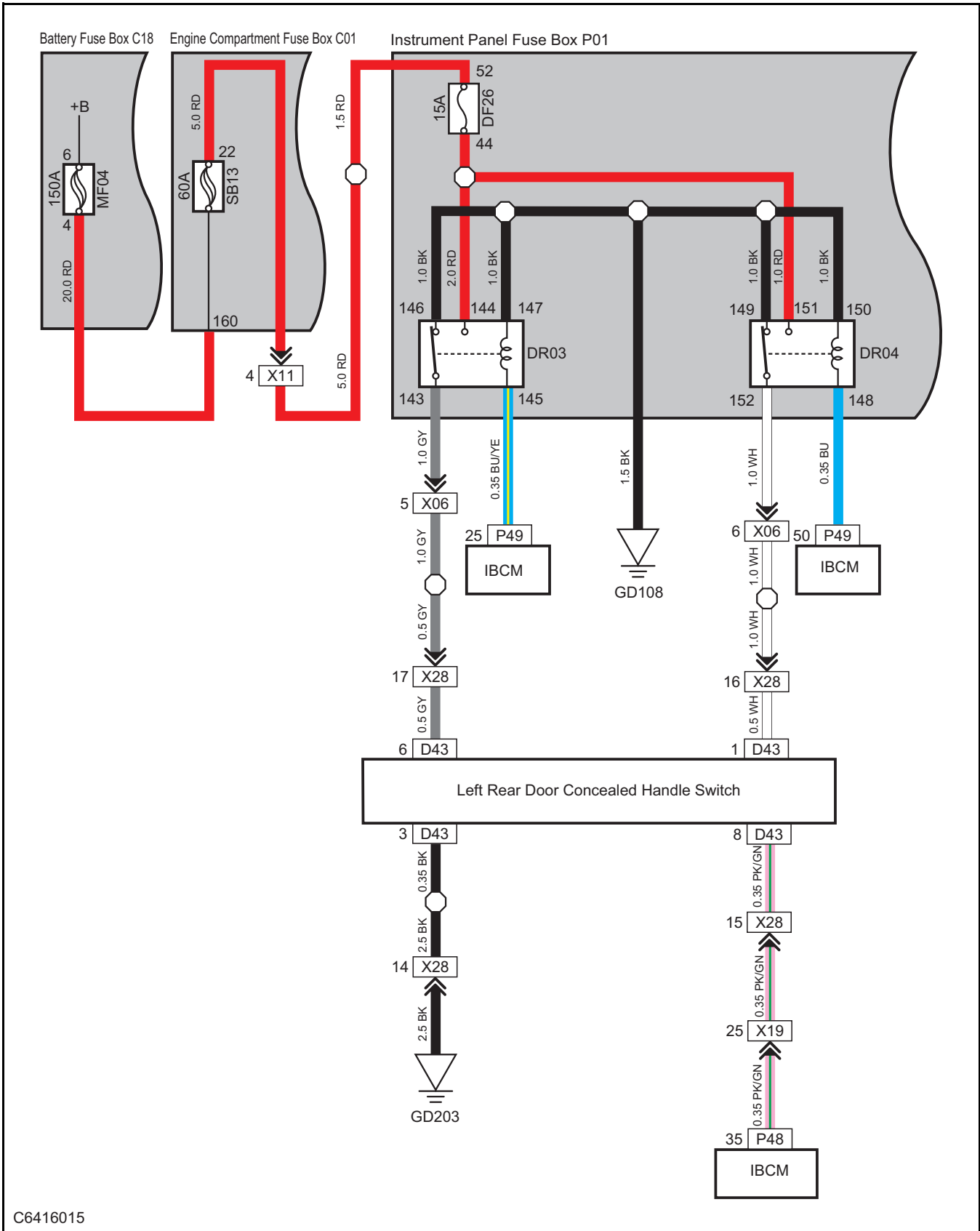
C6416013

Atmosphere Lamp-4



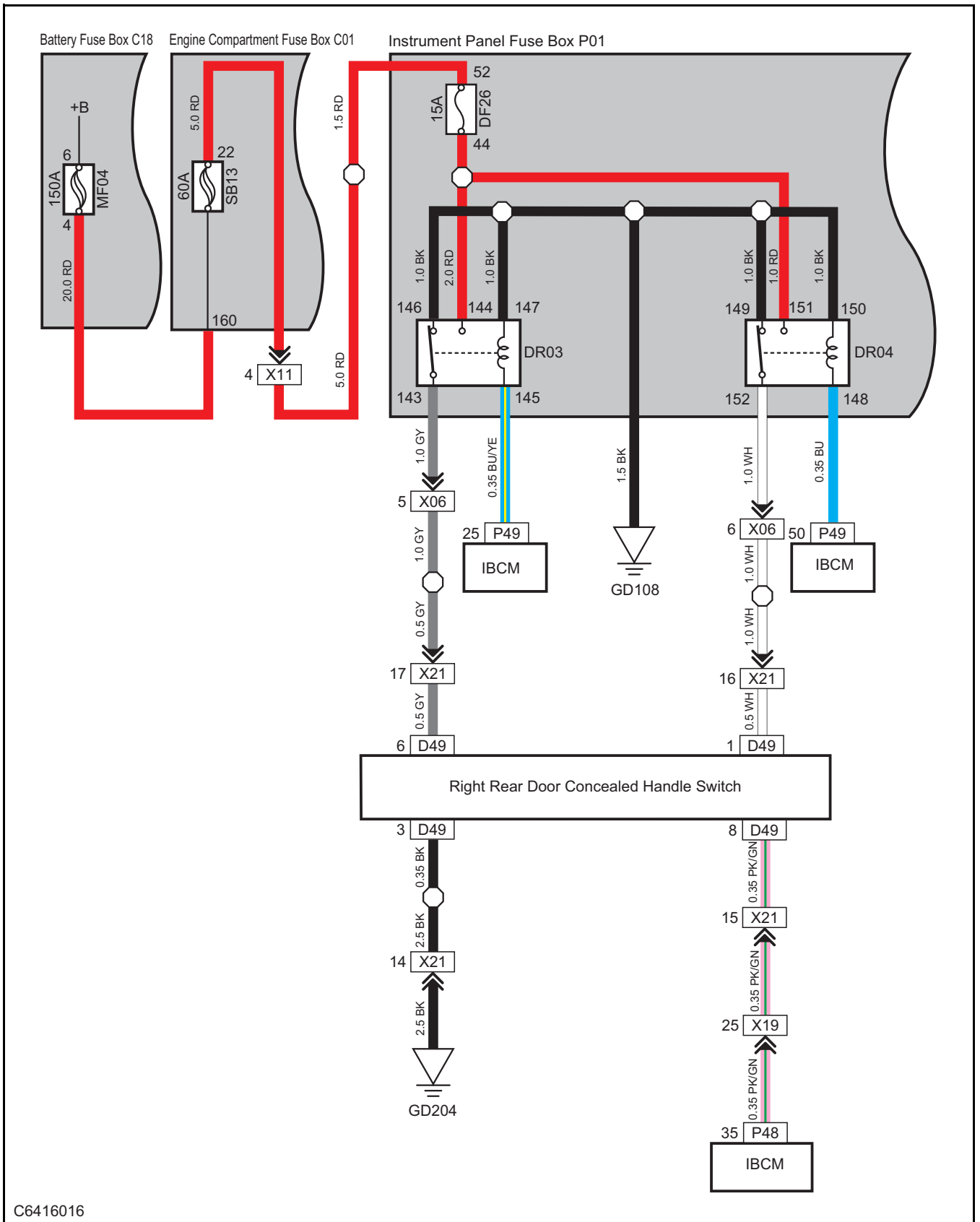
C6416014

Atmosphere Lamp-5



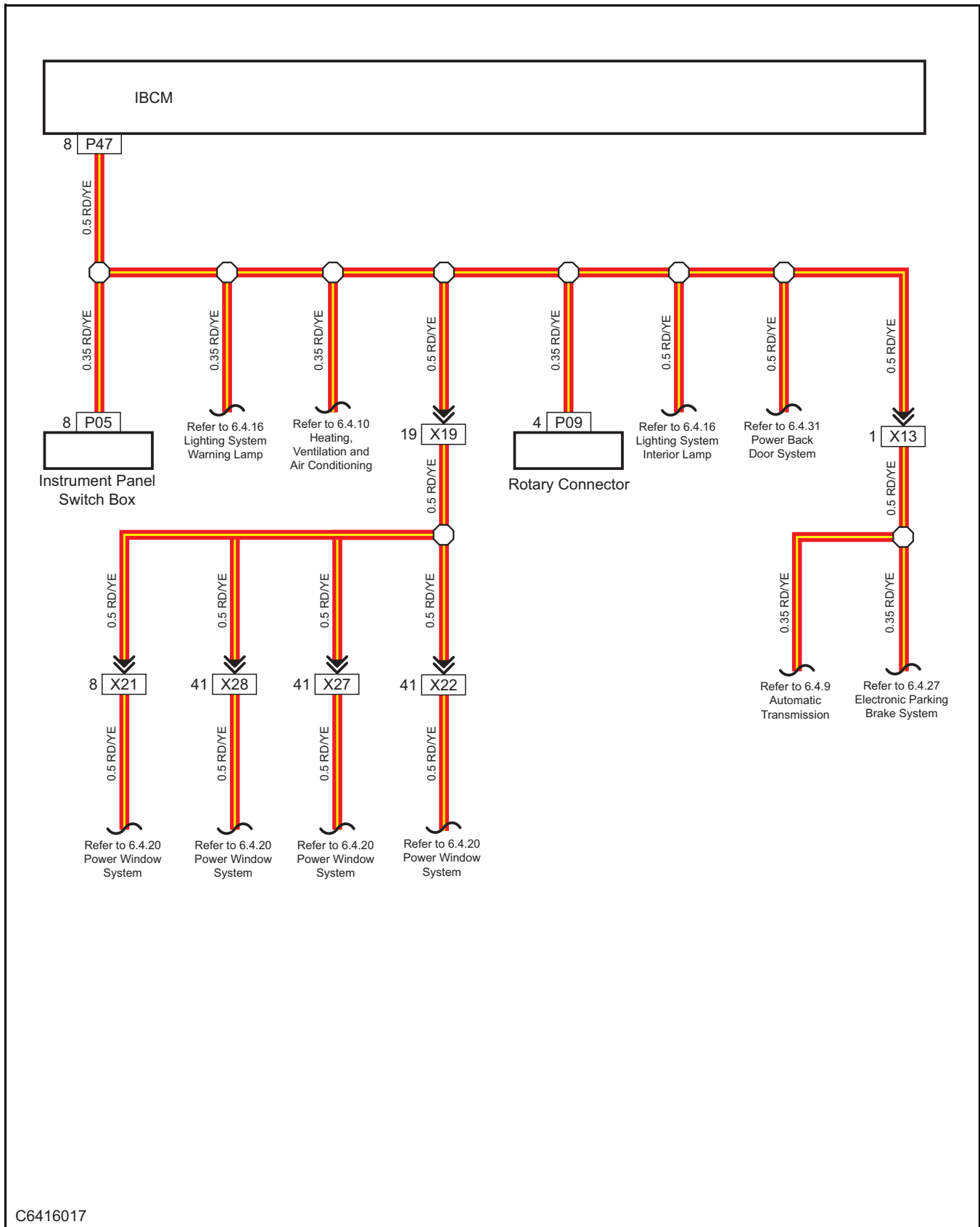
C6416015

Atmosphere Lamp-6



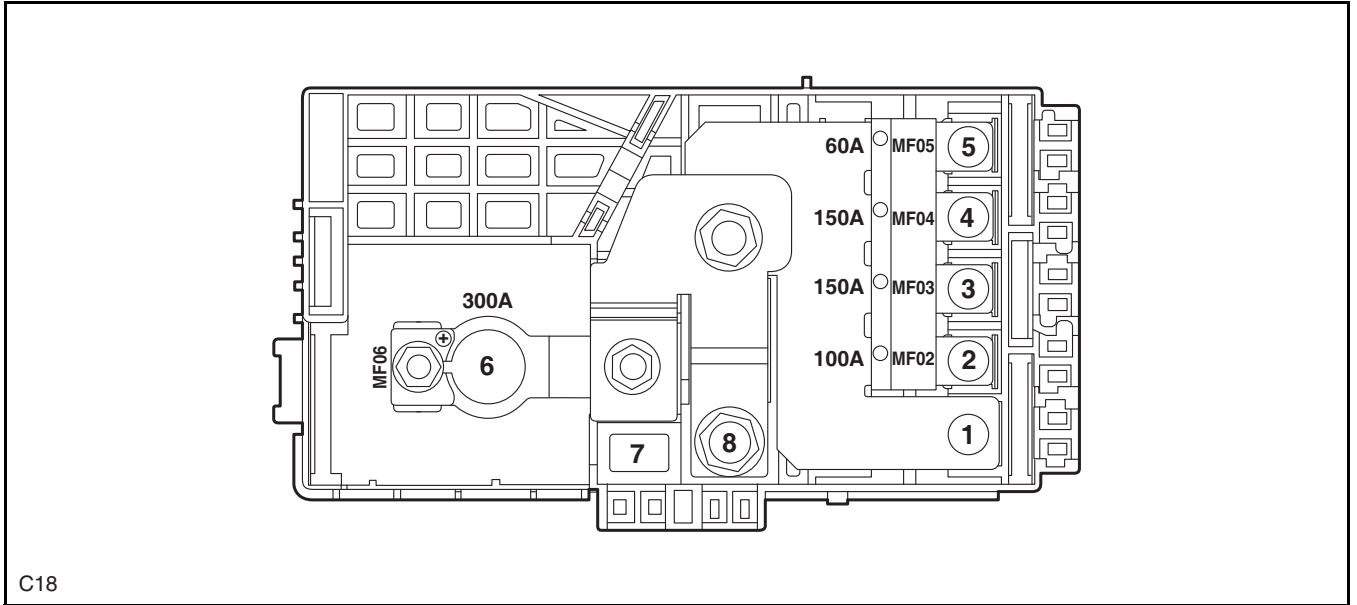
C6416016

Background Lamp



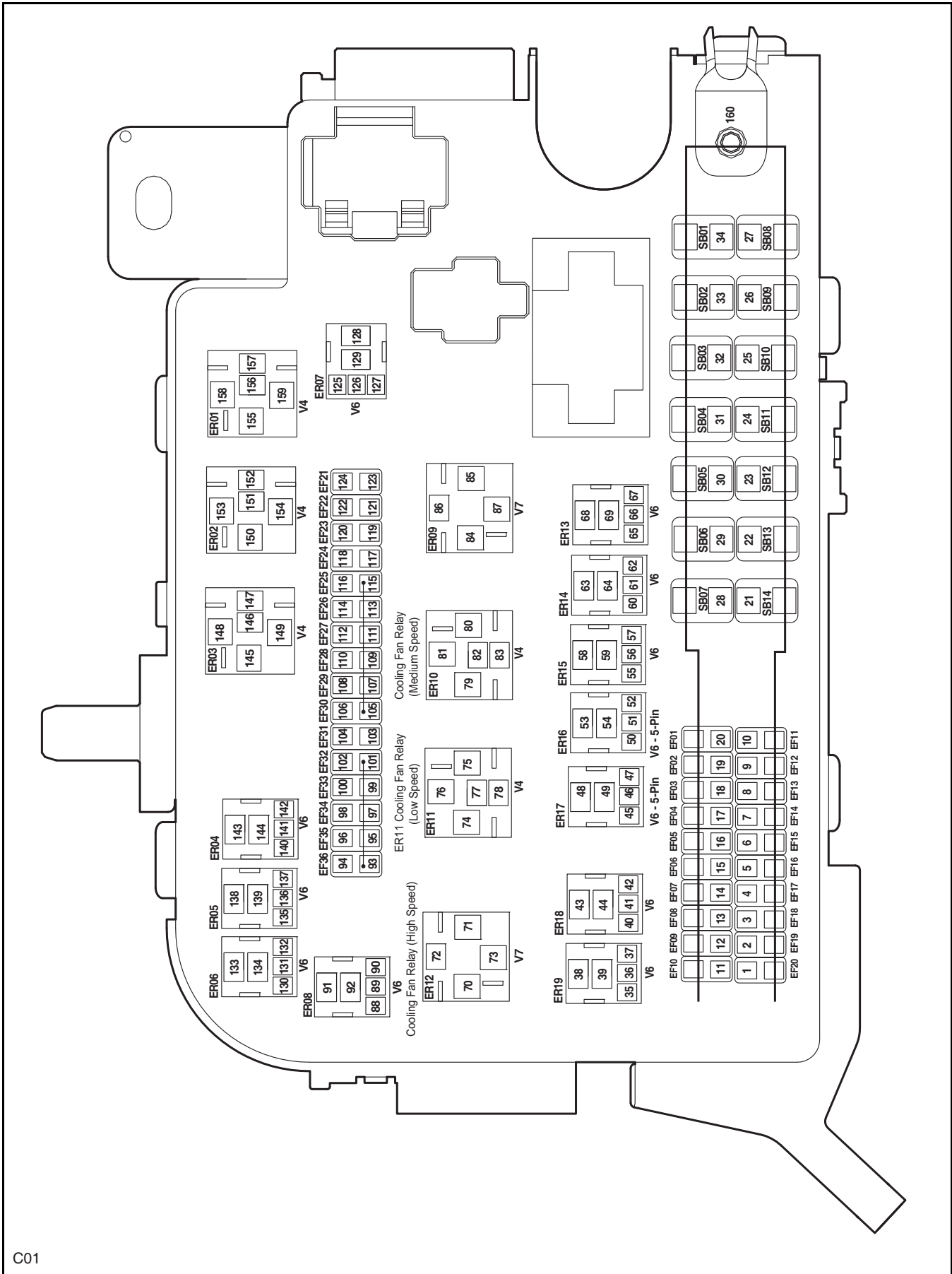
C6416017

Battery Fuse Box



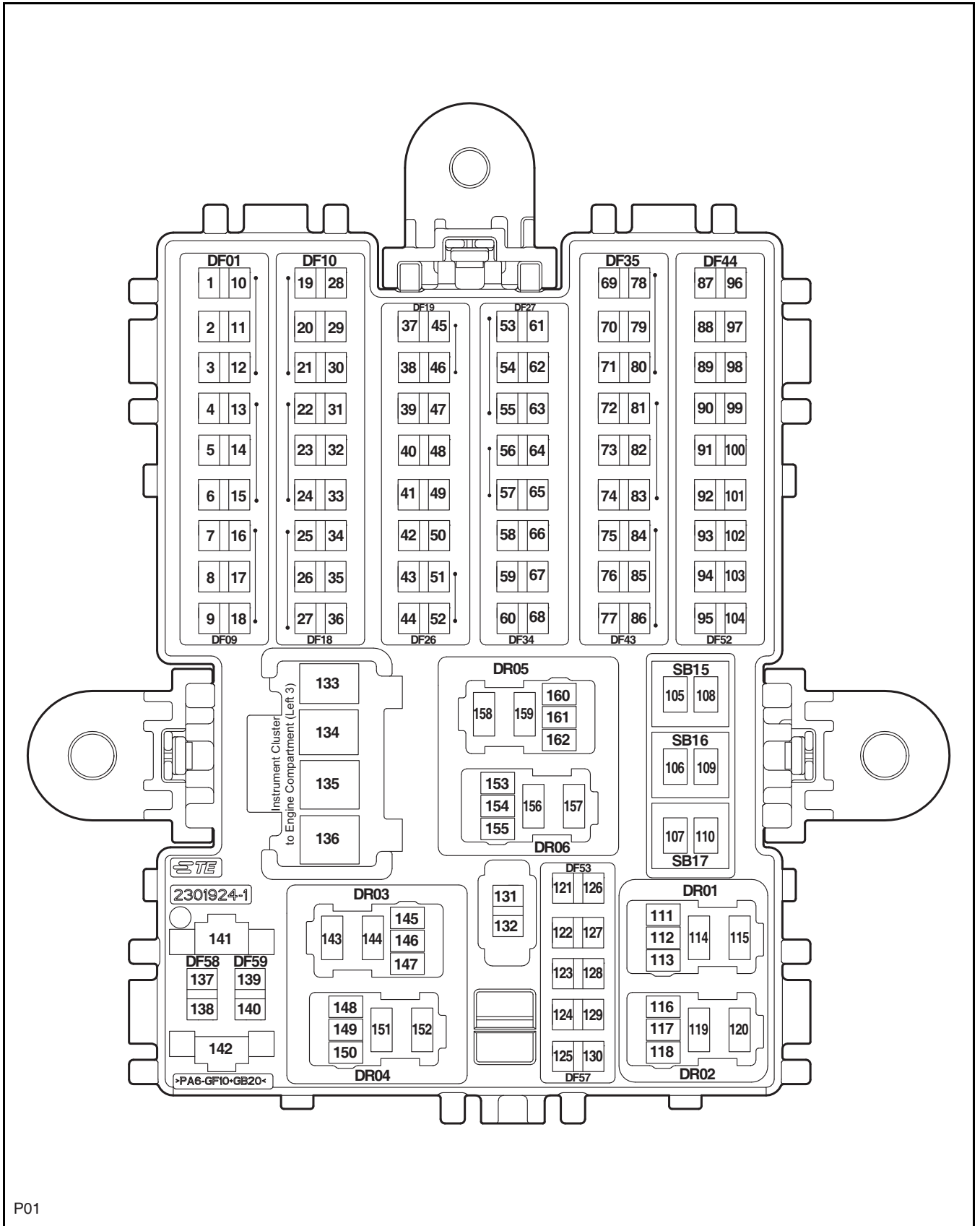
C18

Engine Compartment Fuse Box



C01

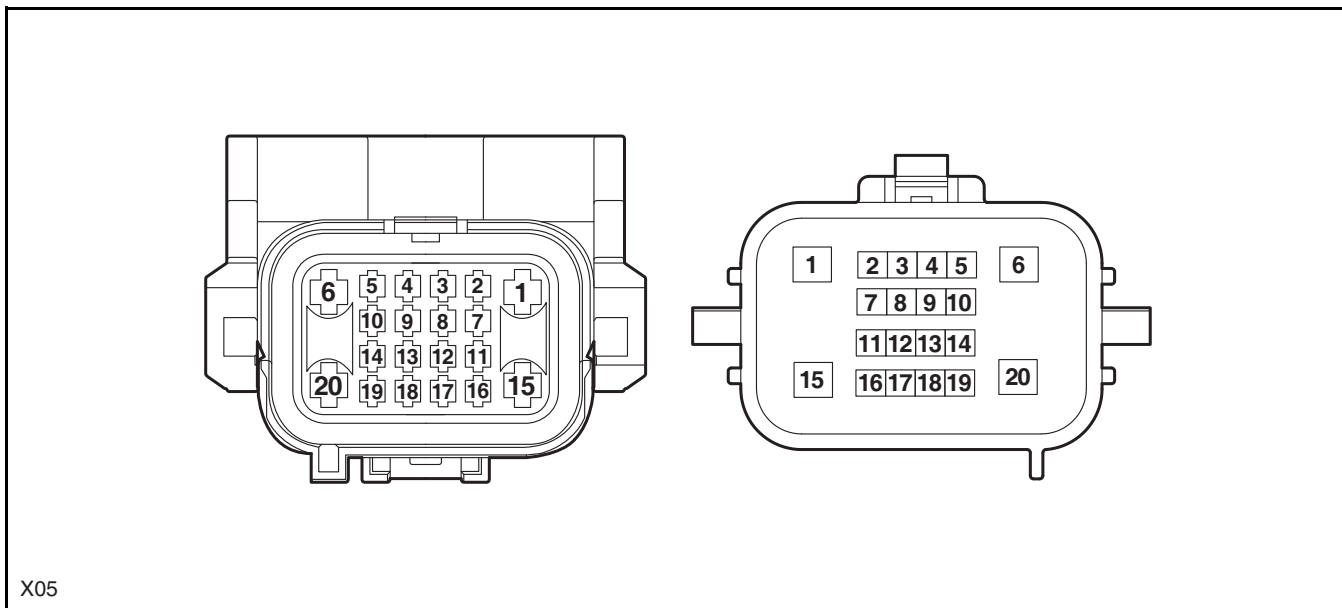
Instrument Panel Fuse Box



P01

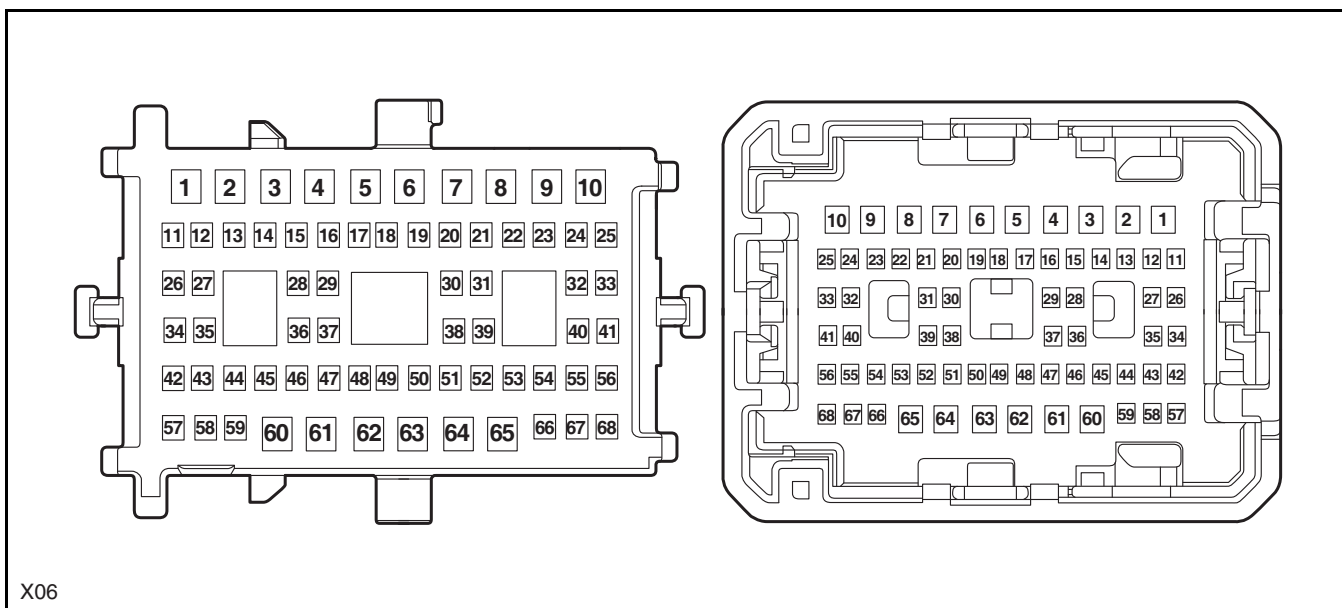
Engine Compartment Wiring Harness to Front Bumper Wiring Harness (1)

Front Bumper Wiring Harness to Engine Compartment Wiring Harness (1)



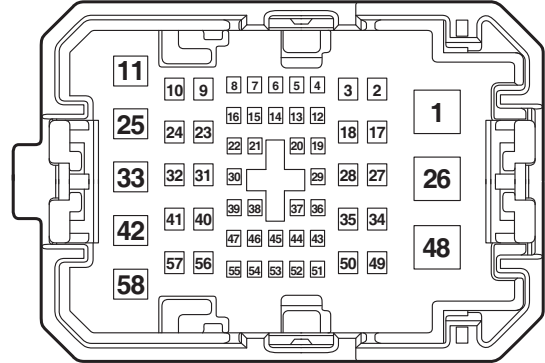
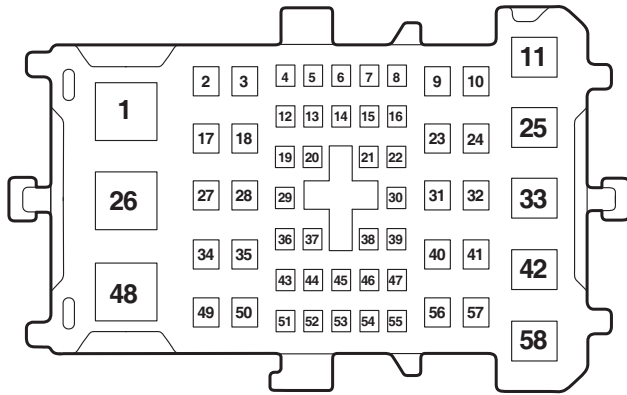
Instrument Panel Wiring Harness to Chassis Wiring Harness (Left 1)

Chassis Wiring Harness to Instrument Panel Wiring Harness (Left 1)



Instrument Panel Wiring Harness to Engine
Compartment Wiring Harness (Left 1)

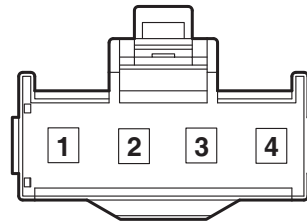
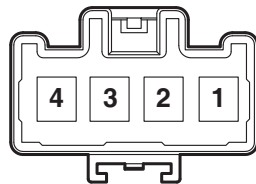
Engine Compartment Wiring Harness to Instrument
Panel Wiring Harness (Left 1)



X09

Instrument Panel Wiring Harness to Engine
Compartment Wiring Harness (Left 3)

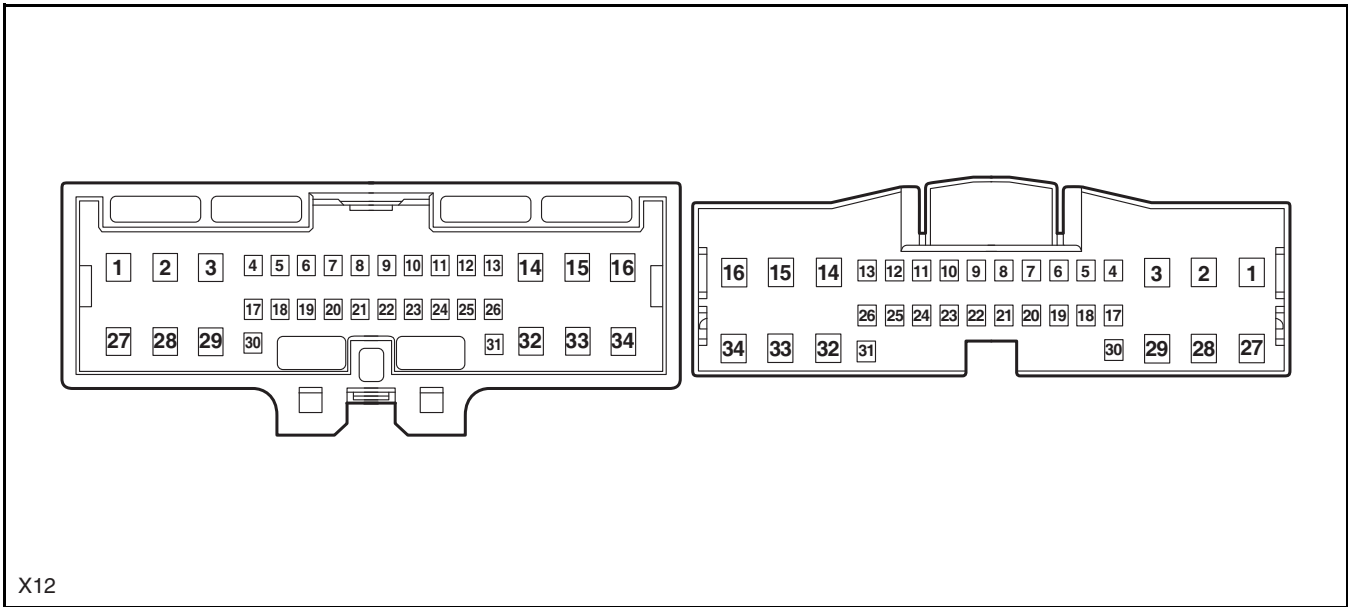
Engine Compartment Wiring Harness to Instrument
Panel Wiring Harness (Left 3)



X11

Instrument Panel Wiring Harness to Roof Wiring Harness (Left 1)

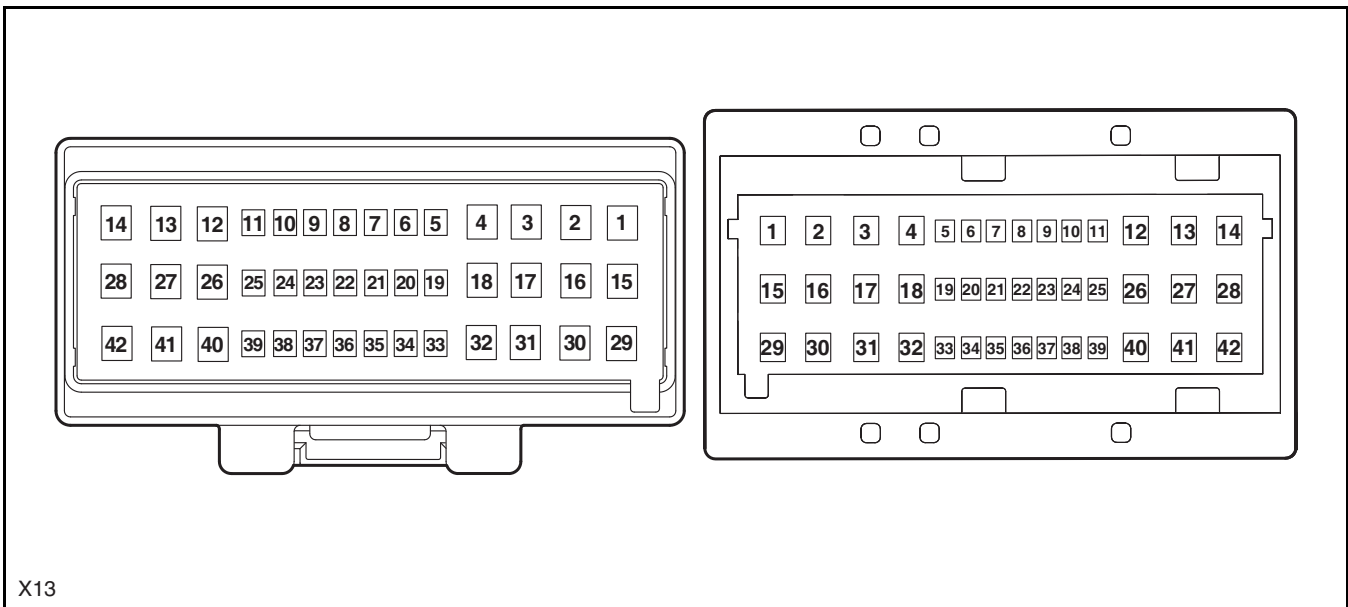
Roof Wiring Harness to Instrument Panel Wiring Harness (Left 1)



X12

Instrument Panel Wiring Harness to Auxiliary Fascia Console Wiring Harness Panel

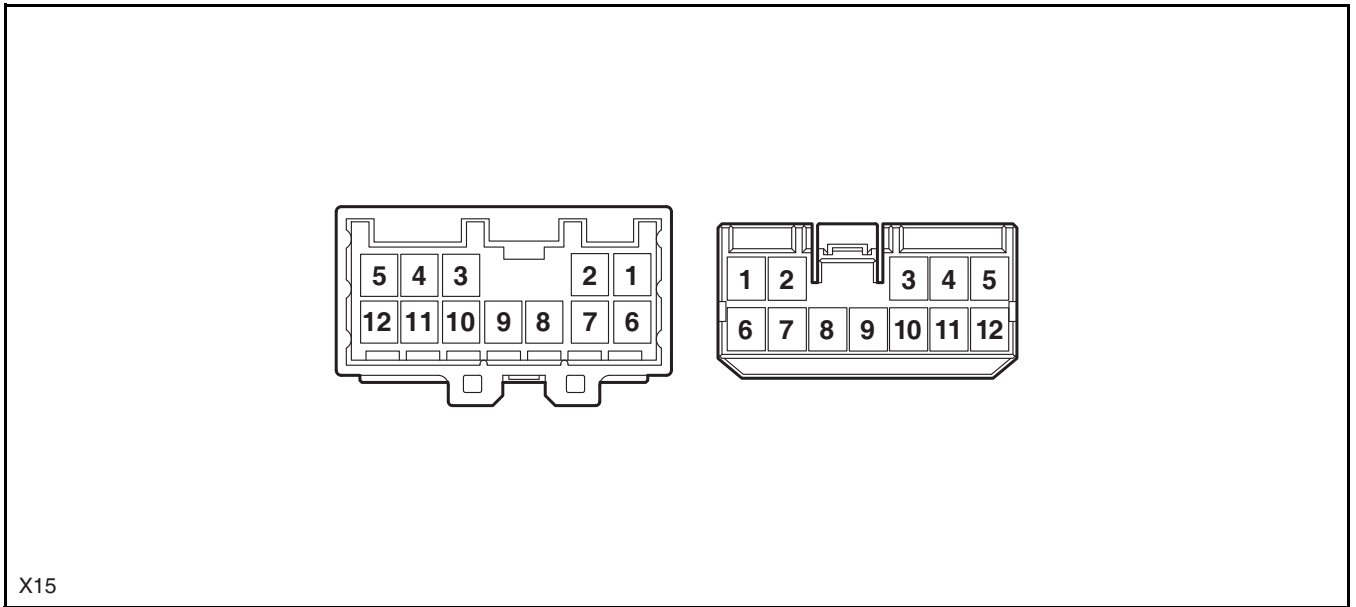
Auxiliary Fascia Console Wiring Harness Panel to Instrument Panel Wiring Harness



X13

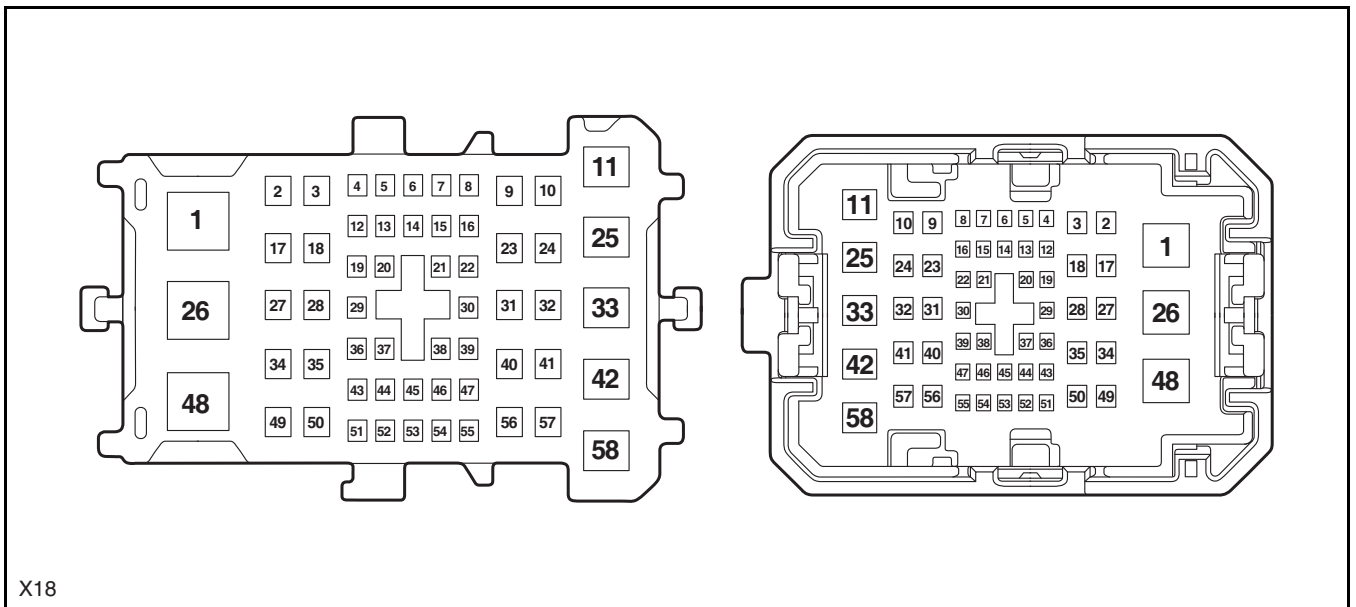
Instrument Panel Wiring Harness to Roof Wiring Harness (Right)

Roof Wiring Harness to Instrument Panel Wiring Harness (Right)



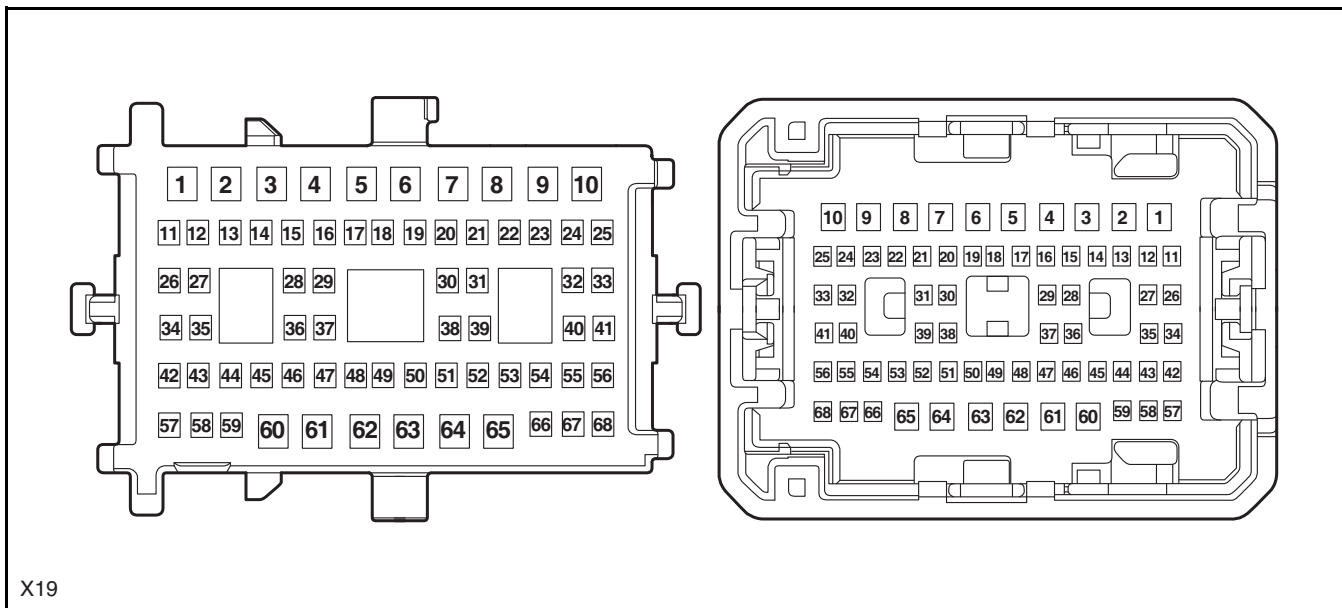
Instrument Panel Wiring Harness to Engine Compartment Wiring Harness (Right 1)

Engine Compartment Wiring Harness to Instrument Panel Wiring Harness (Right 1)



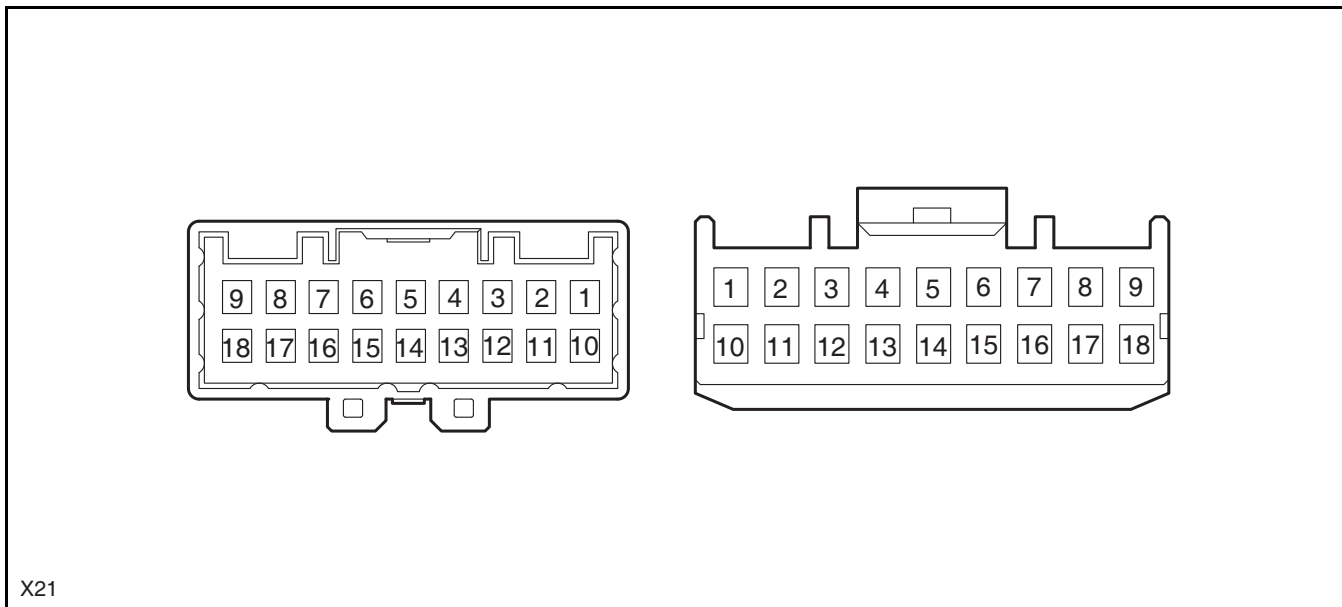
Instrument Panel Wiring Harness to Chassis Wiring Harness (Right 1)

Chassis Wiring Harness to Instrument Panel Wiring Harness (Right 1)



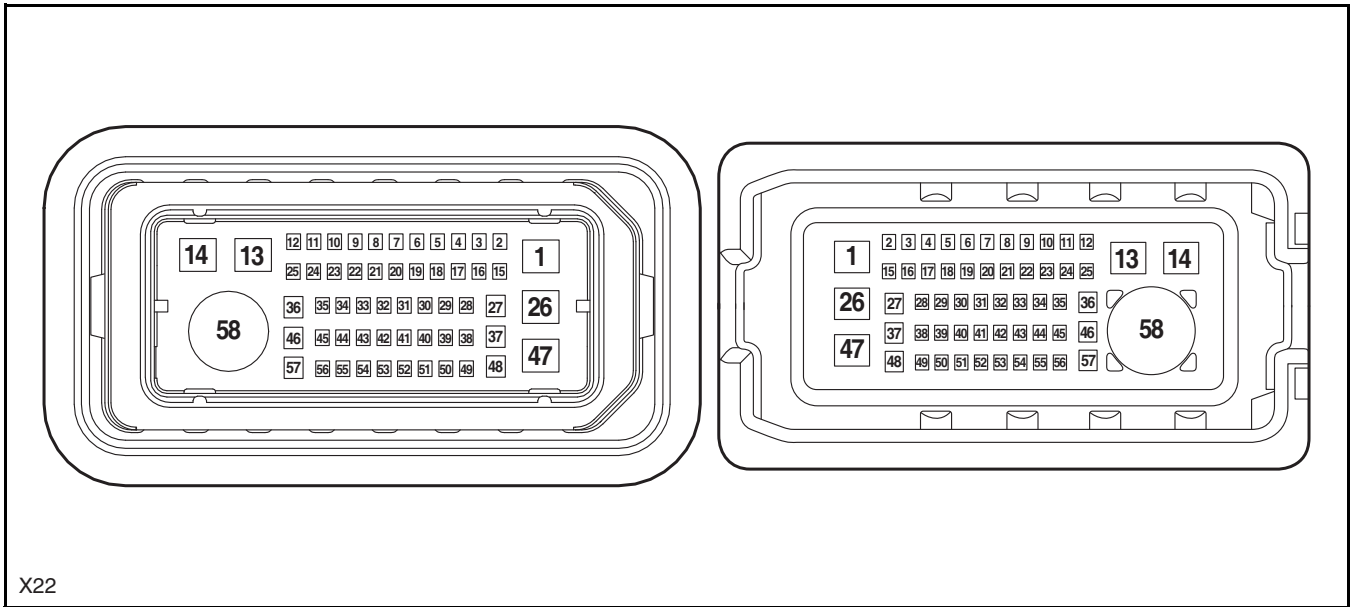
Chassis Wiring Harness to Right Rear Door Wiring Harness

Right Rear Door Wiring Harness to Chassis Wiring Harness



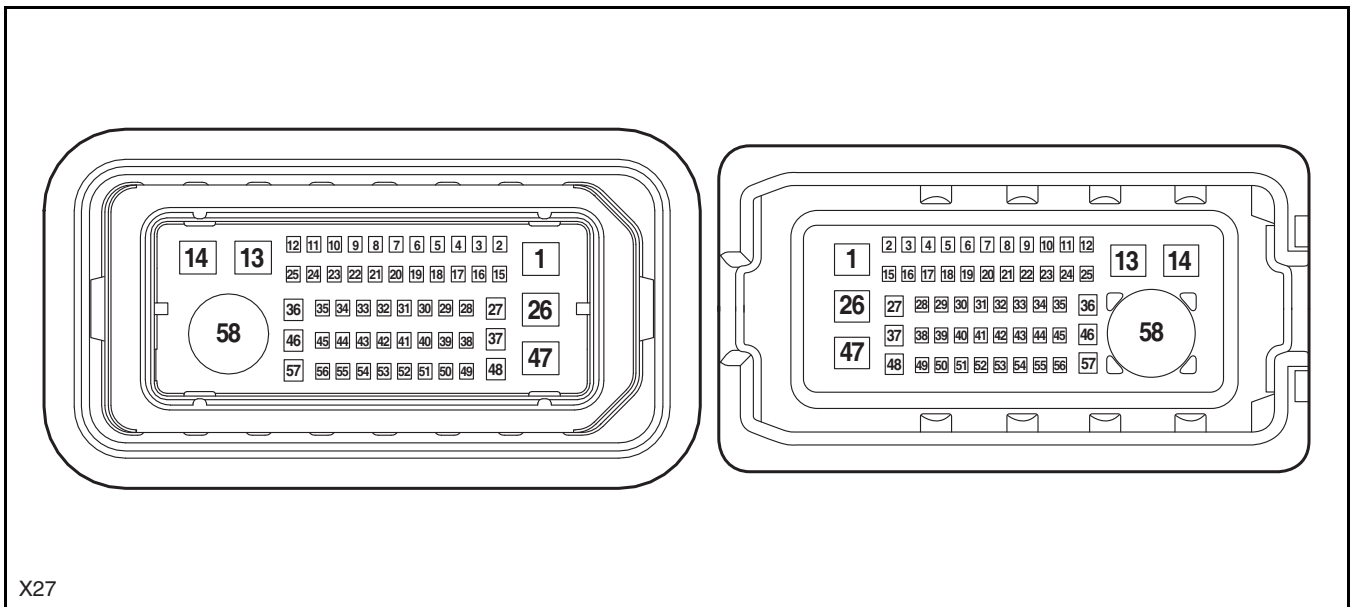
Chassis Wiring Harness to Right Front Door Wiring Harness

Right Front Door Wiring Harness to Chassis Wiring Harness



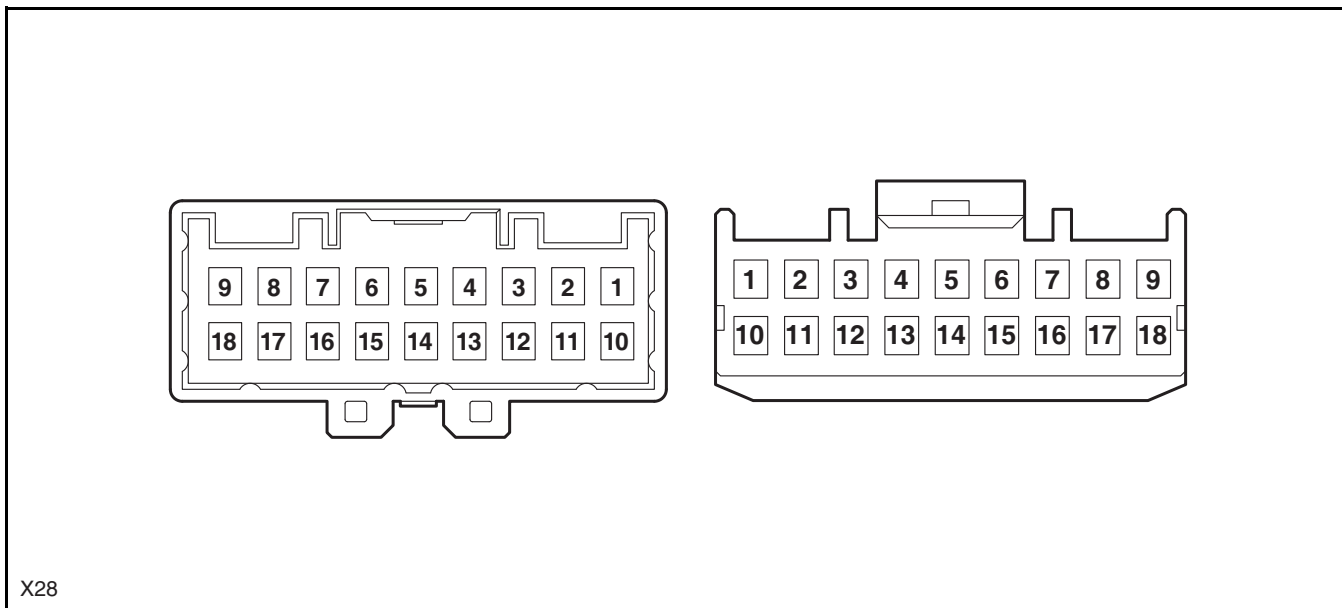
Chassis Wiring Harness to Left Front Door Wiring Harness

Left Front Door Wiring Harness to Chassis Wiring Harness



Chassis Wiring Harness to Left Rear Door Wiring Harness

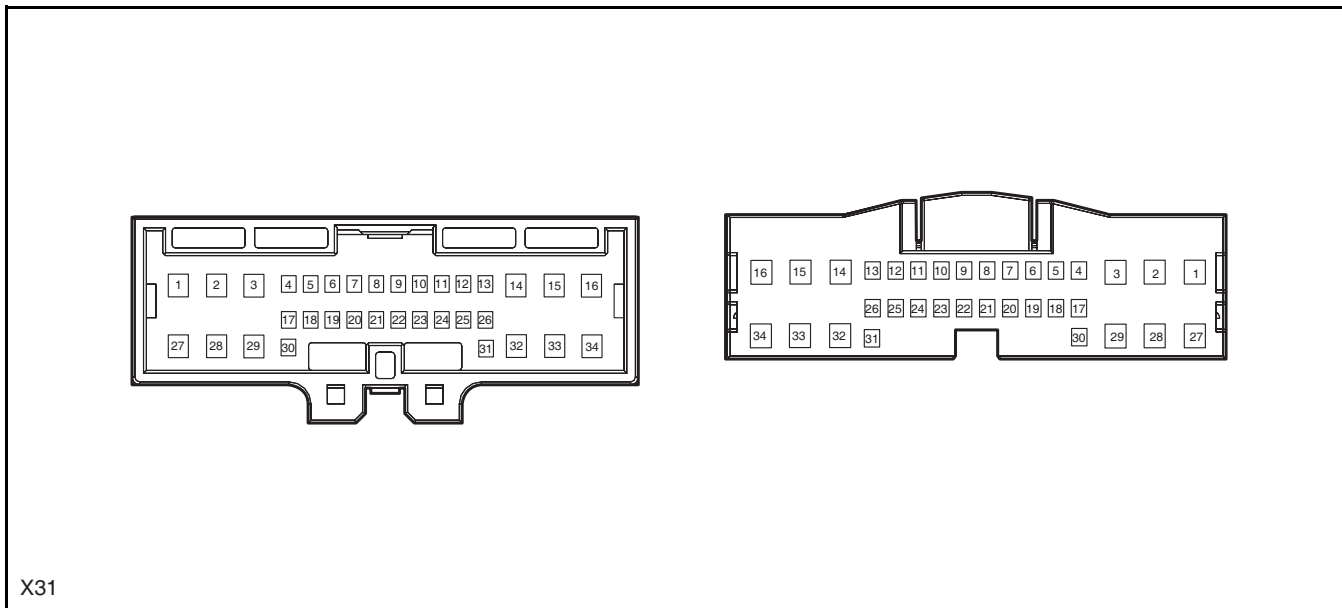
Left Rear Door Wiring Harness to Chassis Wiring Harness



X28

Chassis Wiring Harness to Back Door Wiring Harness

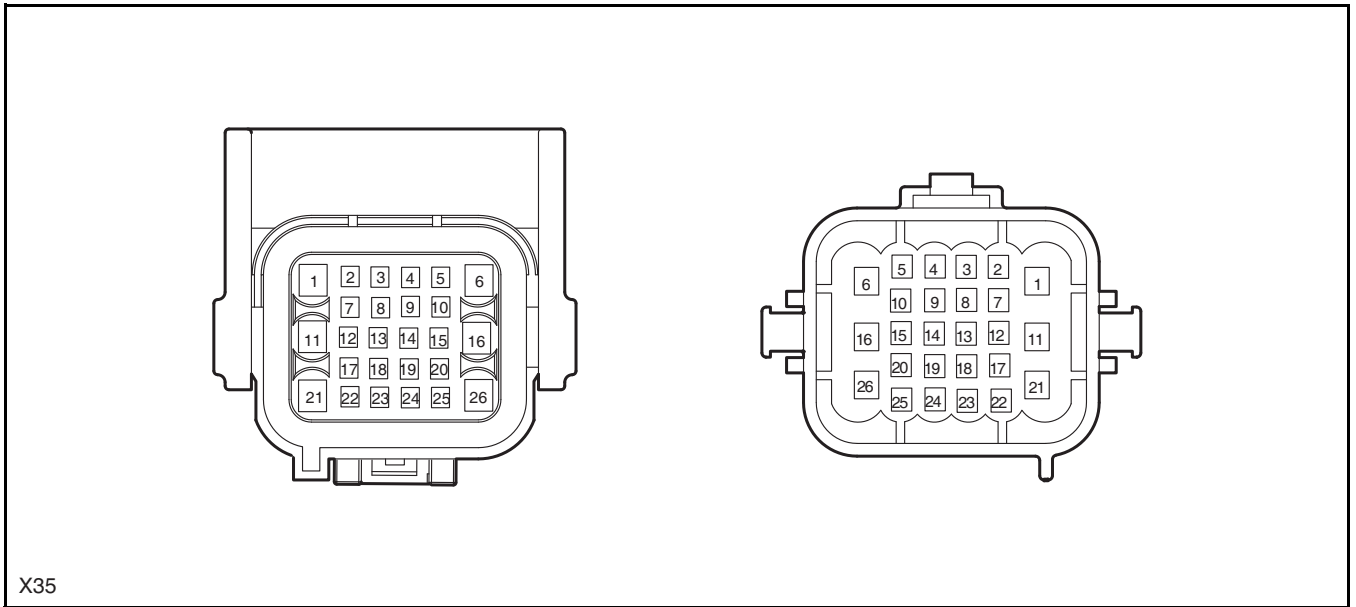
Back Door Wiring Harness to Chassis Wiring Harness



X31

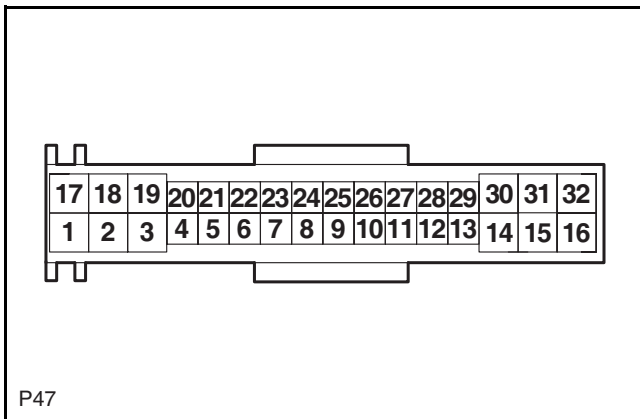
Chassis Wiring Harness to Rear Bumper Wiring Harness

Rear Bumper Wiring Harness to Chassis Wiring Harness

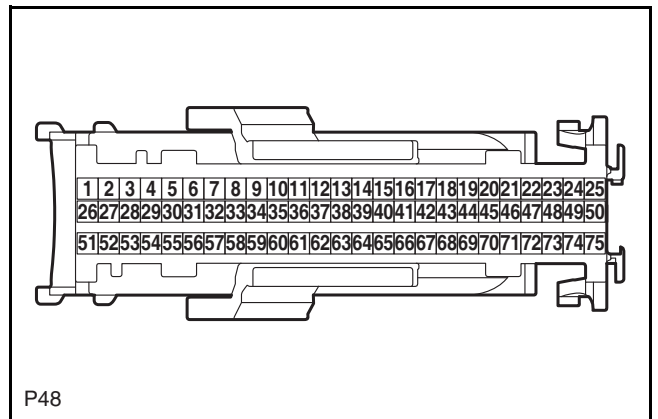


IBC-M-J2

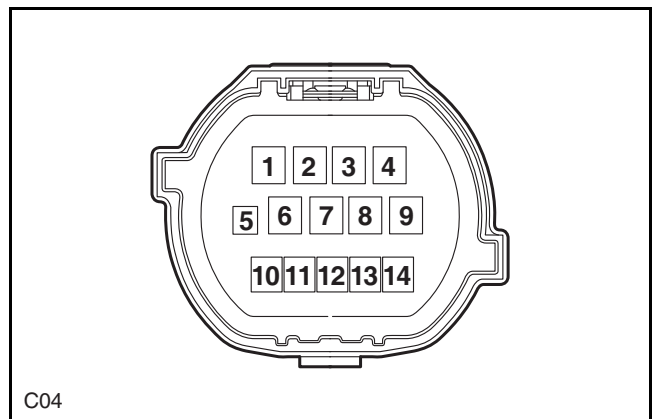
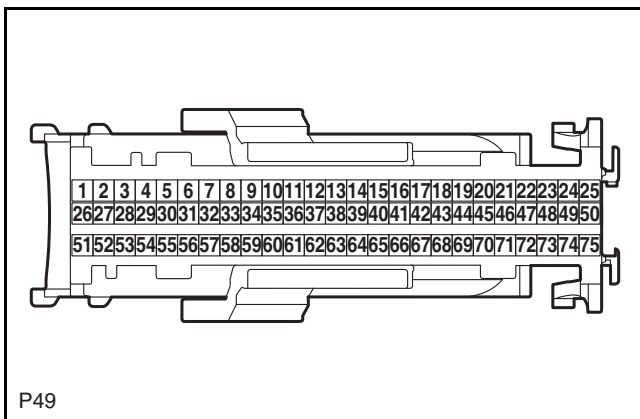
IBC-M-J7



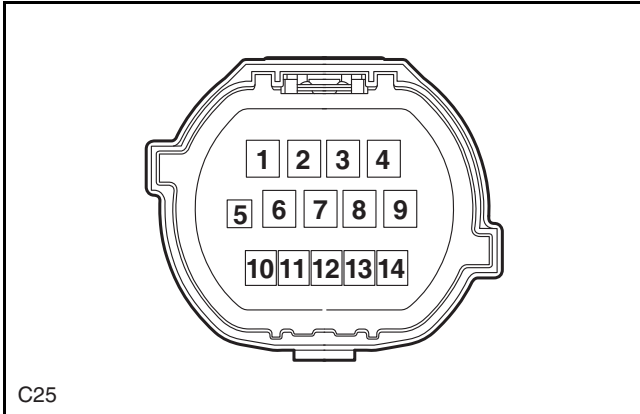
IBC-M-J1



Left Front Combination Lamp 1

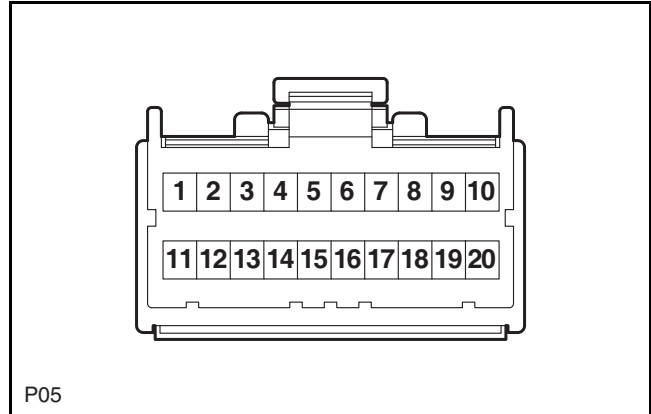


Right Front Combination Lamp 1

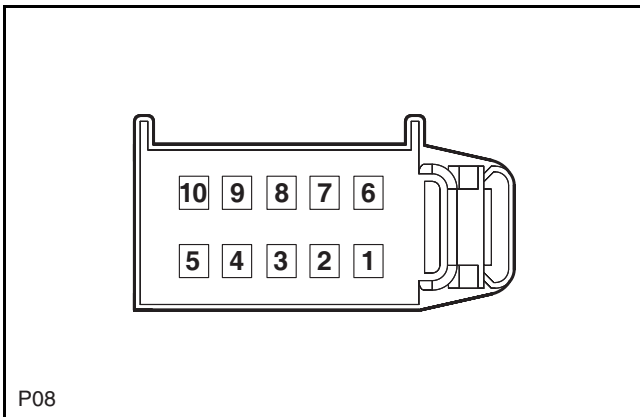


Combination Lamp Switch

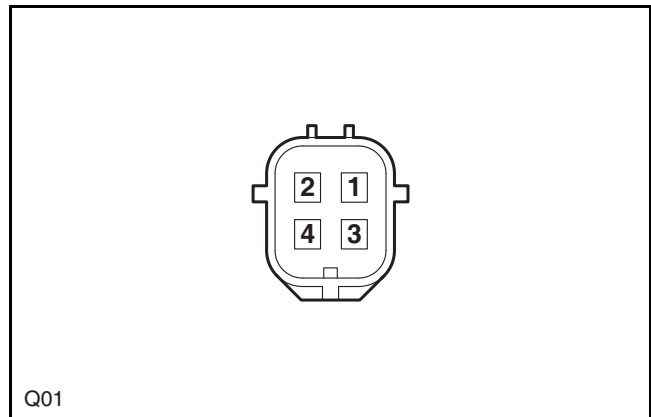
Switch Box (Headlamp Leveling Switch)



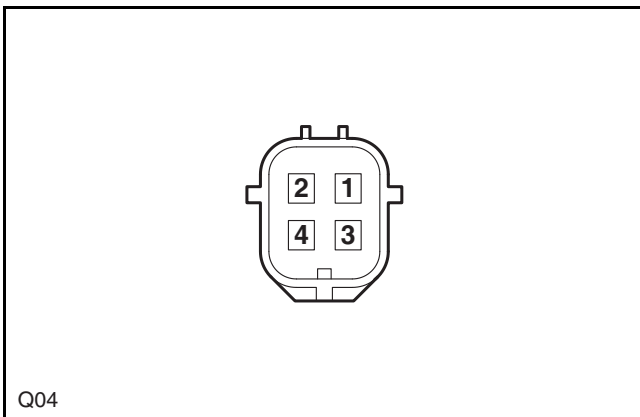
Left Front Combination Lamp 2



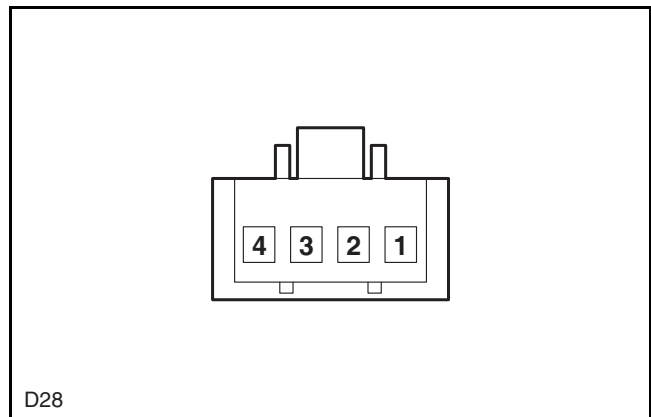
Right Front Combination Lamp 2



License Plate Lamp

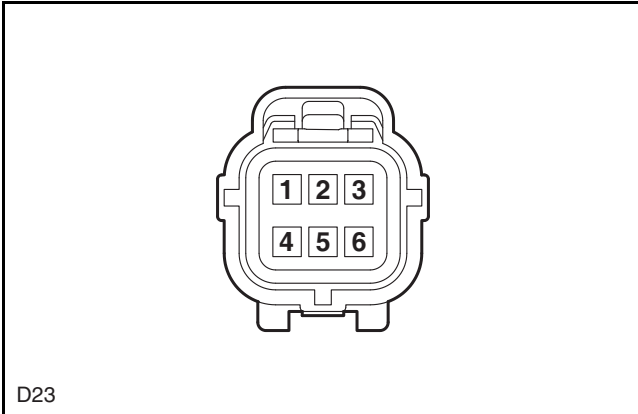


Q04

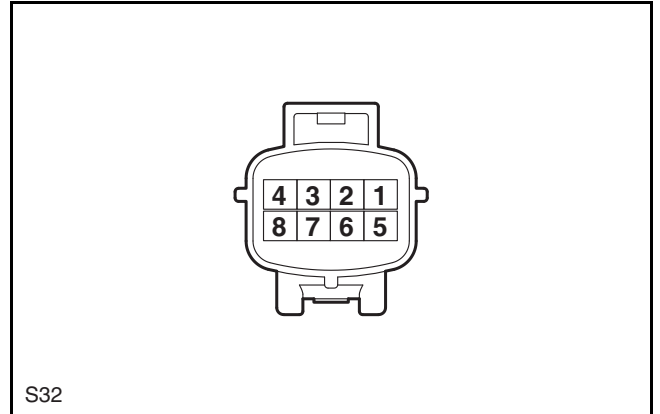


D28

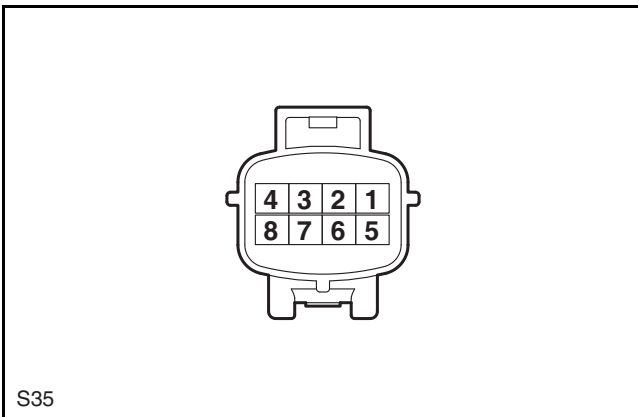
B Tail Lamp - Left



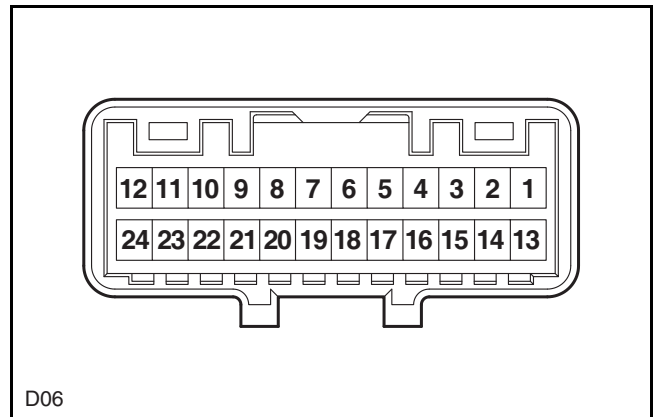
A Tail Lamp - Left



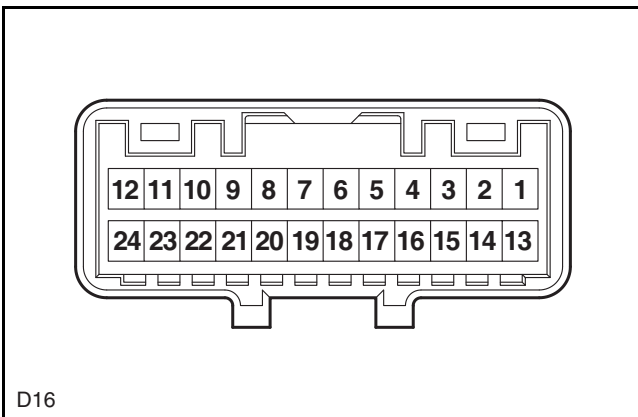
A Tail Lamp - Right



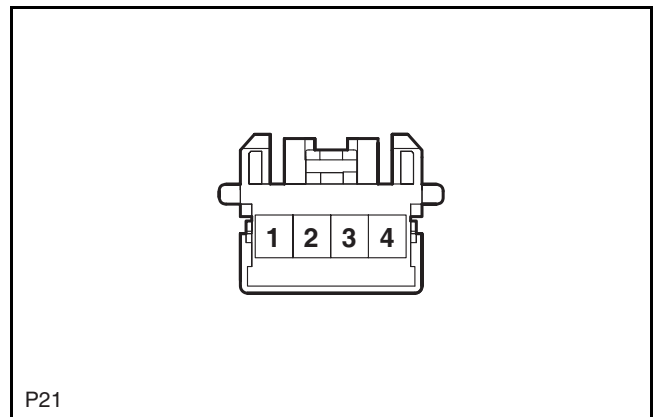
Left Front Rearview Mirror



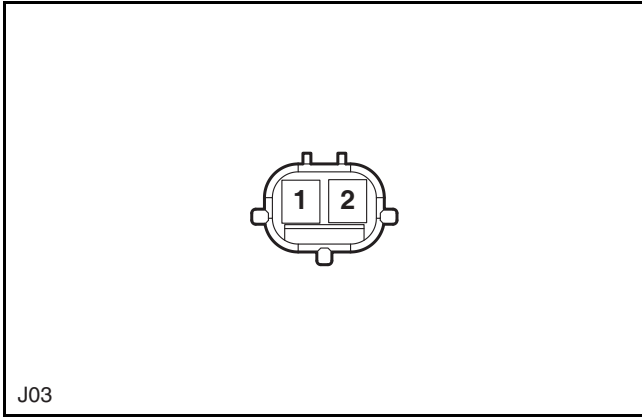
Right Front Rearview Mirror



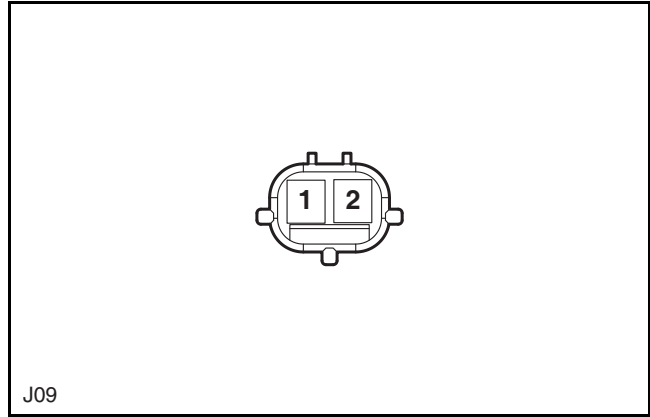
Emergency Alarm Switch



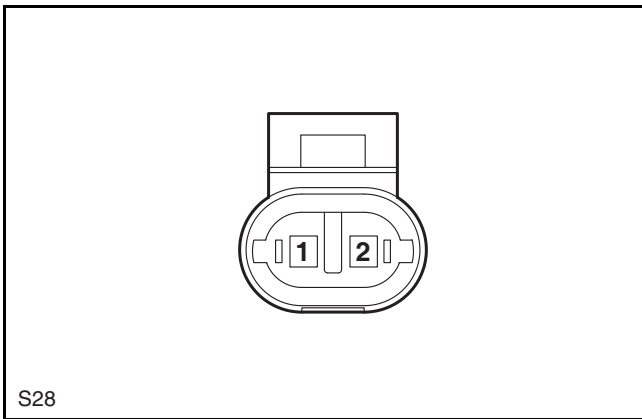
Back-up Lamp (Left)



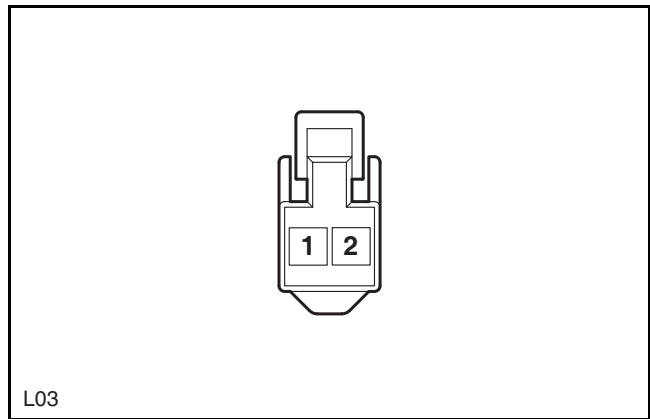
Back-up Lamp (Right)



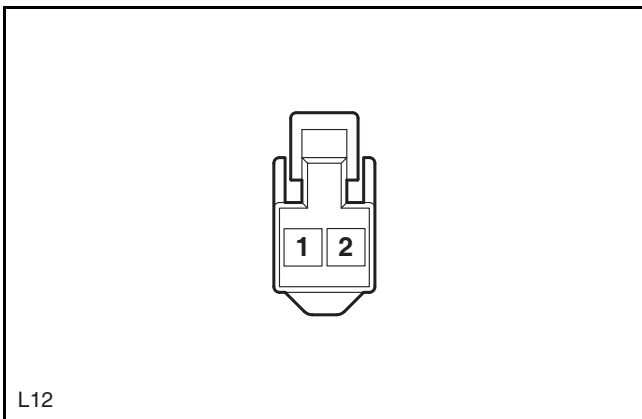
Luggage Compartment Lamp



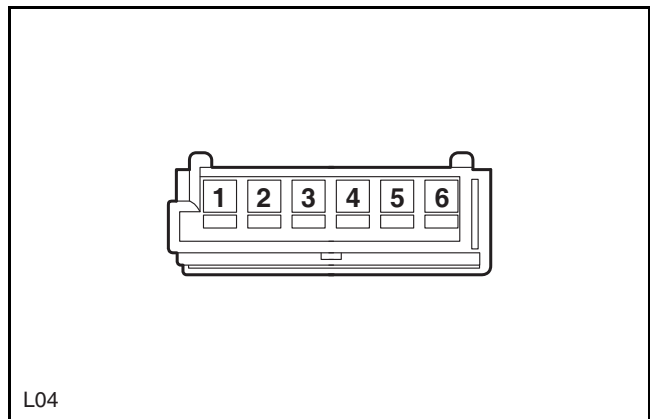
Left Vanity Lamp



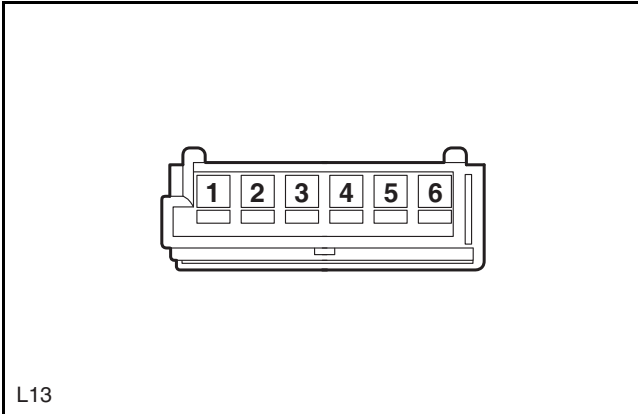
Right Vanity Lamp



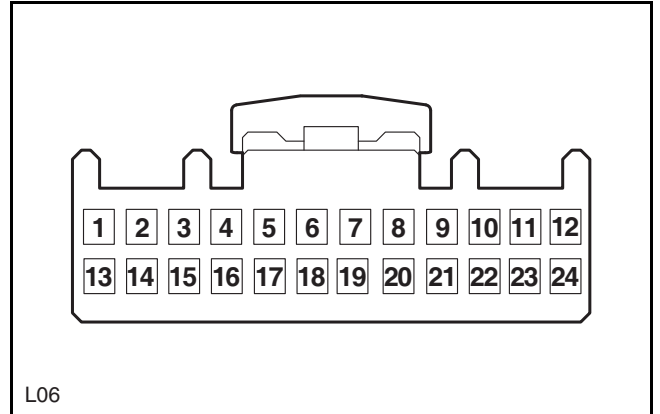
Middle-row Map Light - Left



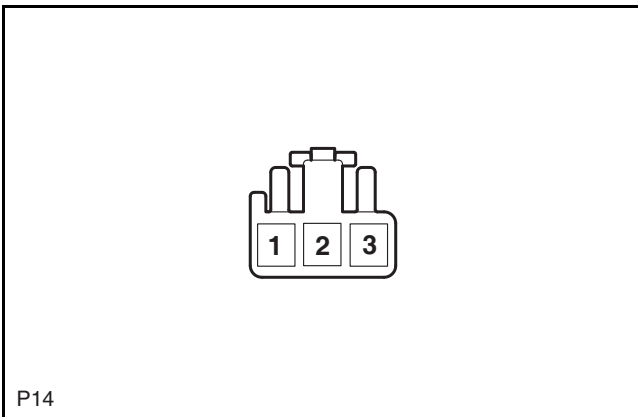
Middle-row Map Lamp - Right



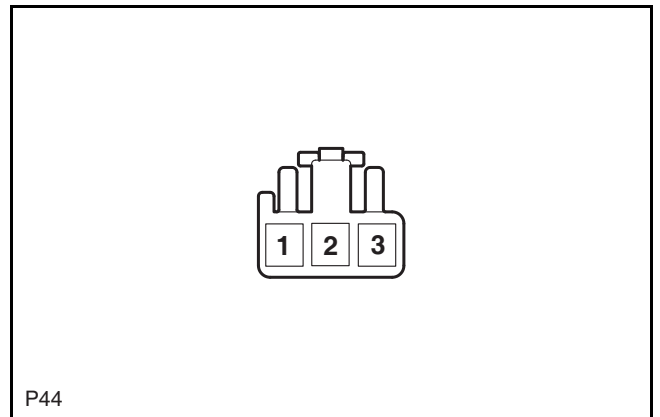
Front Dome Lamp Switch (Sunroof)



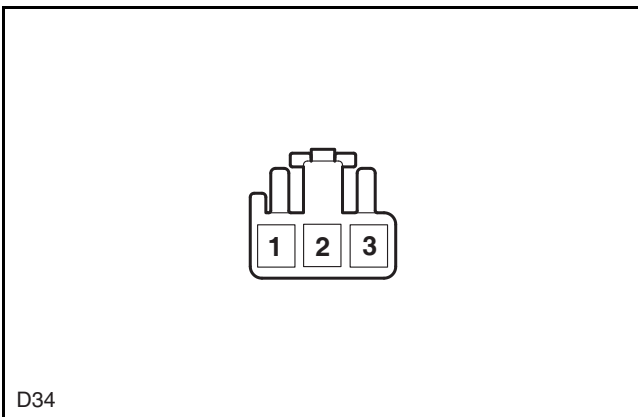
Atmosphere Lamp - Instrument Cluster Left



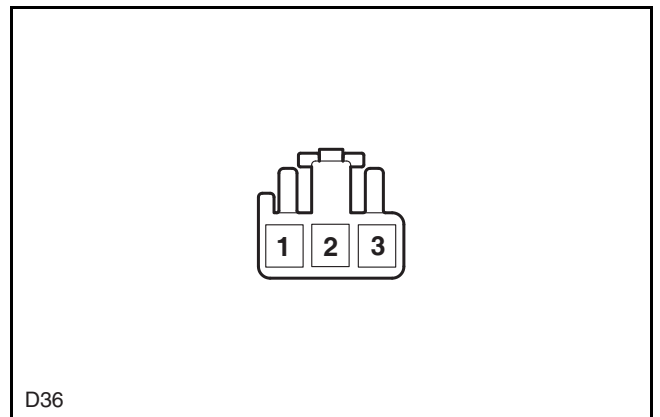
Atmosphere Lamp - Instrument Cluster Right



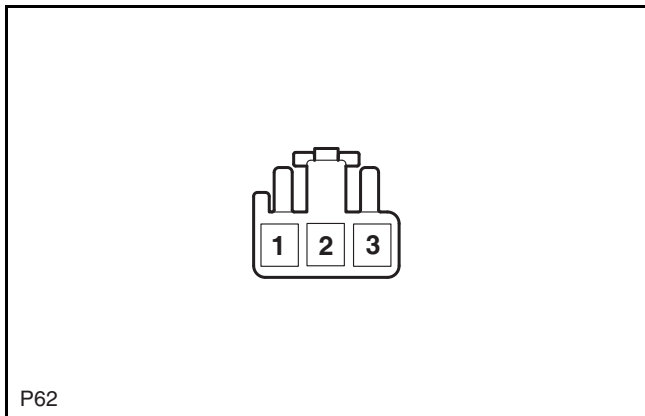
Atmosphere Lamp 1 - Left Front Door



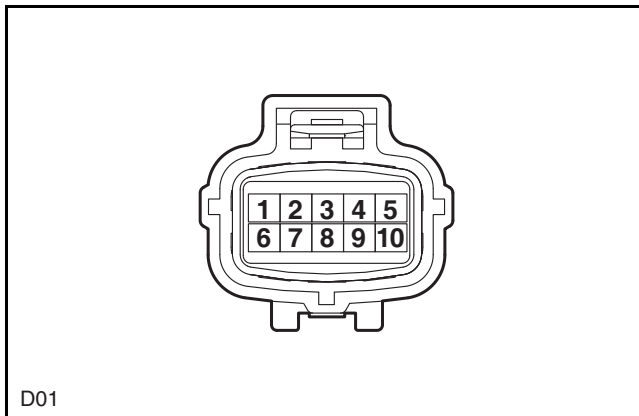
Atmosphere Lamp 1 - Right Front Door



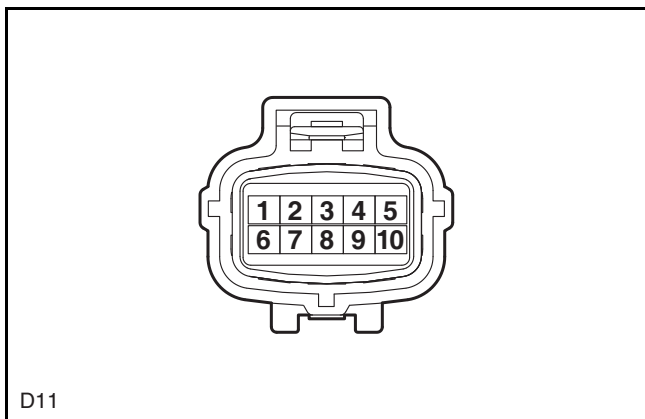
Atmosphere Light - Central Box 1



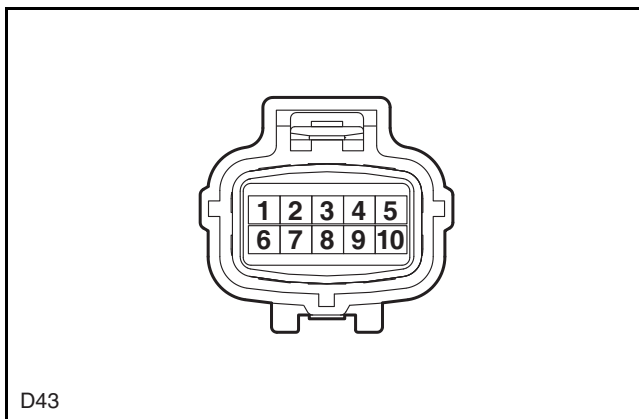
Left Front Door Concealed Handle Switch



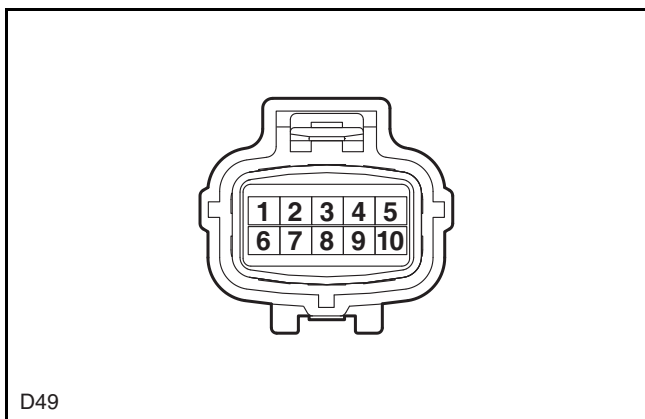
Right Front Door Concealed Handle Switch



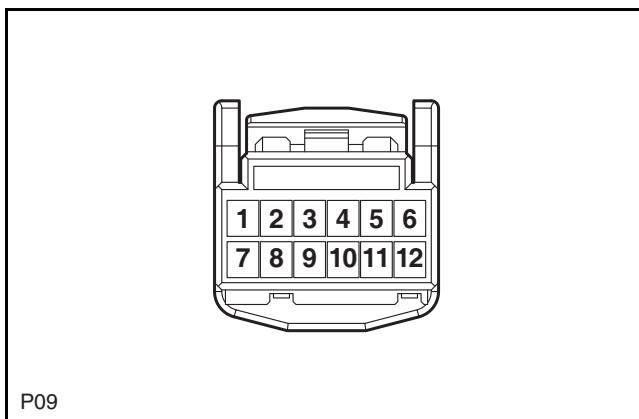
Left Rear Door Concealed Handle Switch



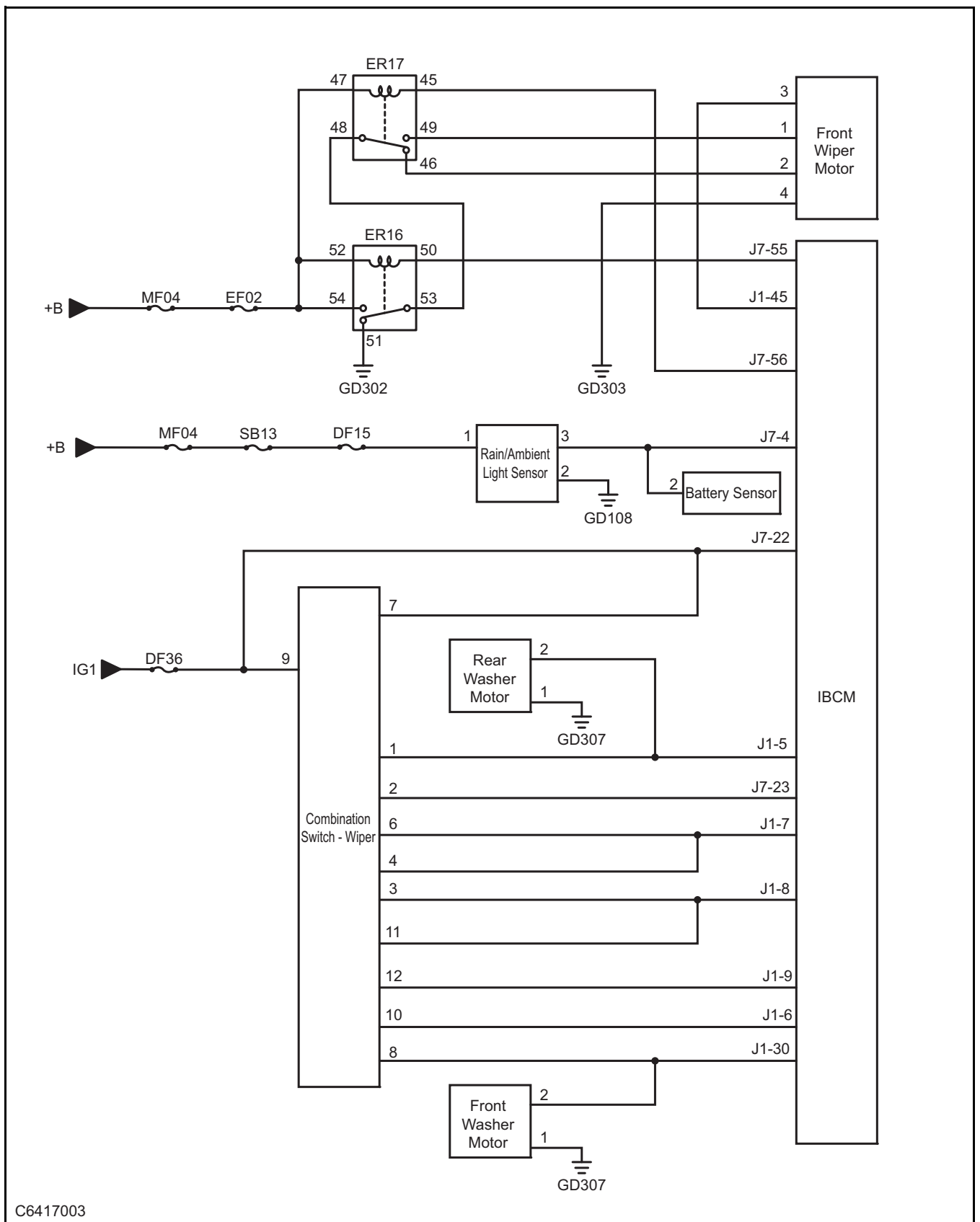
Right Rear Door Concealed Handle Switch



Rotary Connector

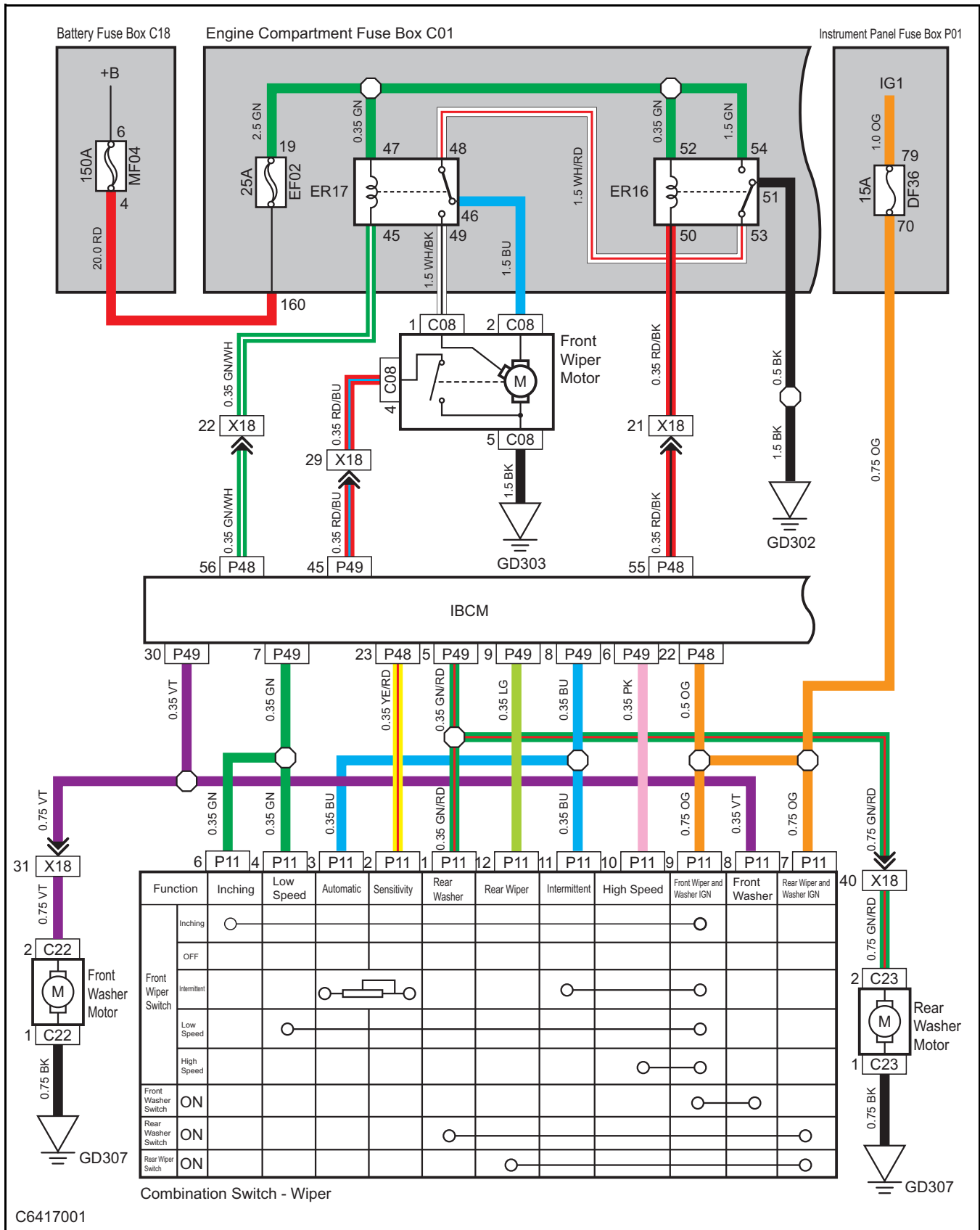


Wiper

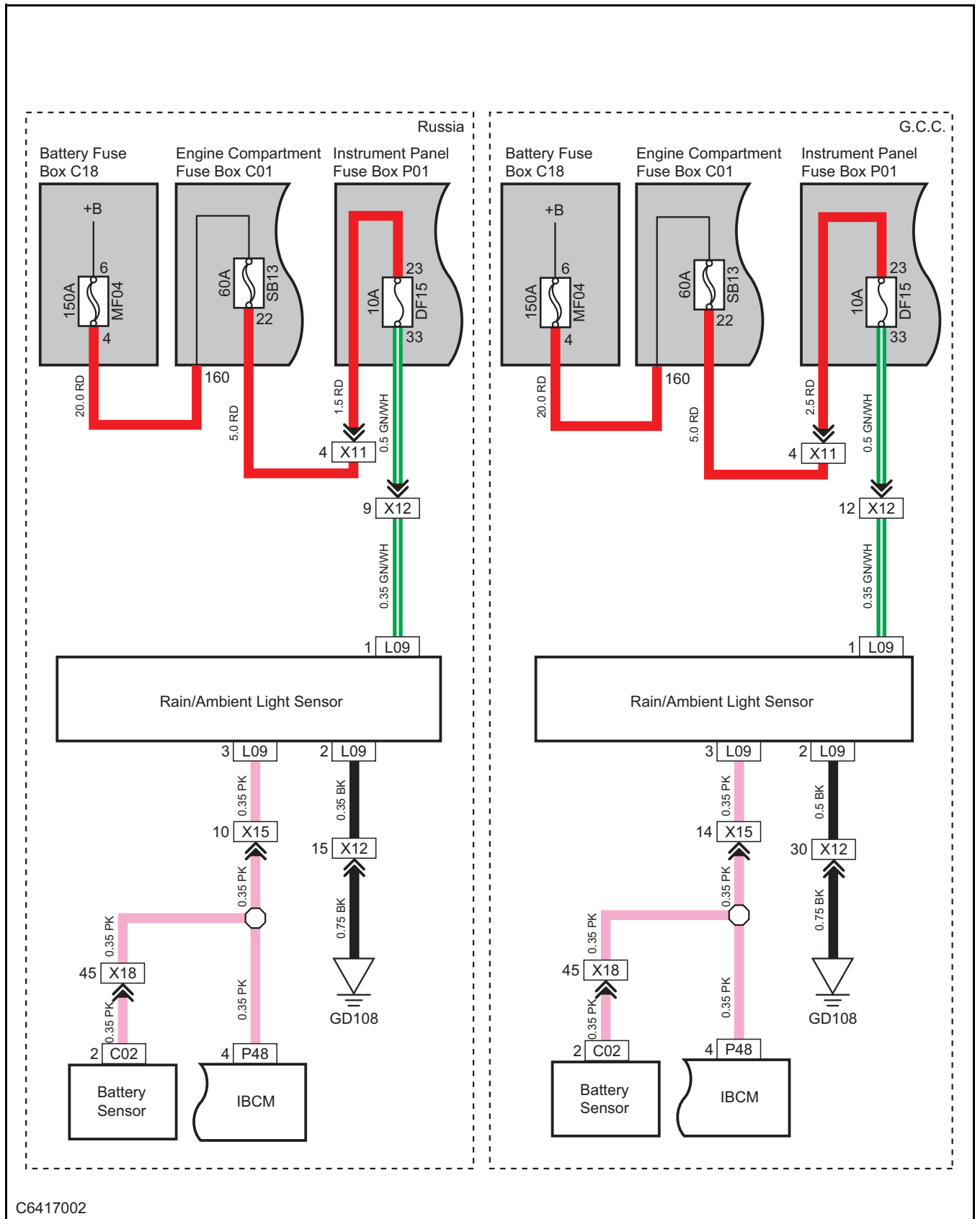


C6417003

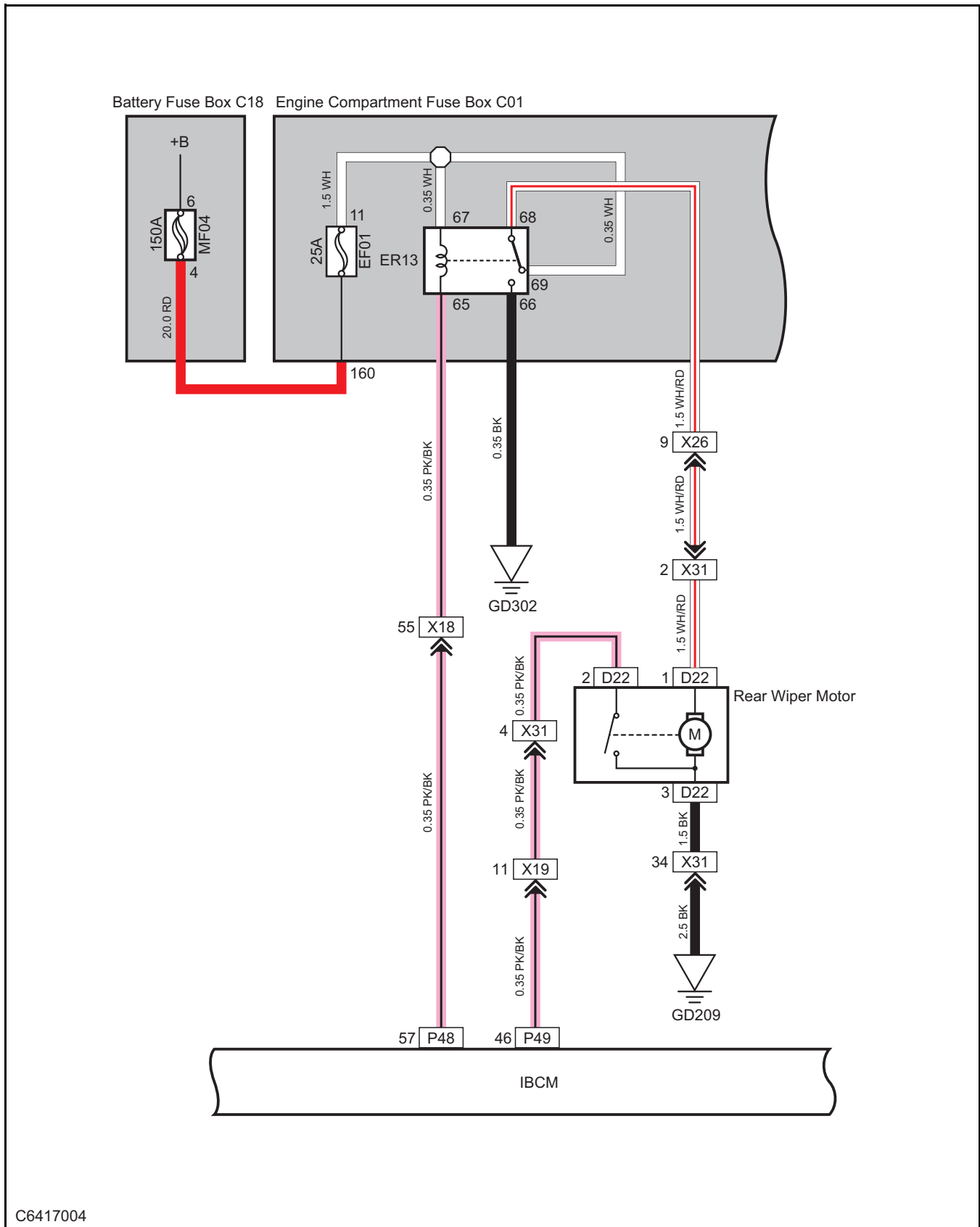
Front Wiper



Rain/Ambient Light Sensor

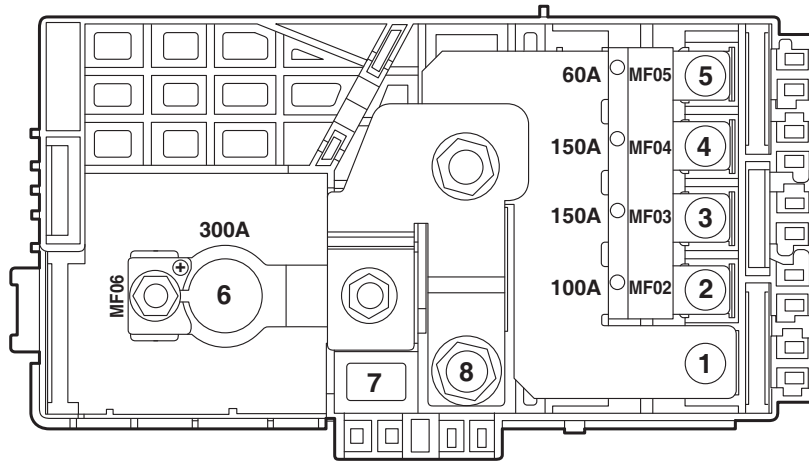


Rear Wiper



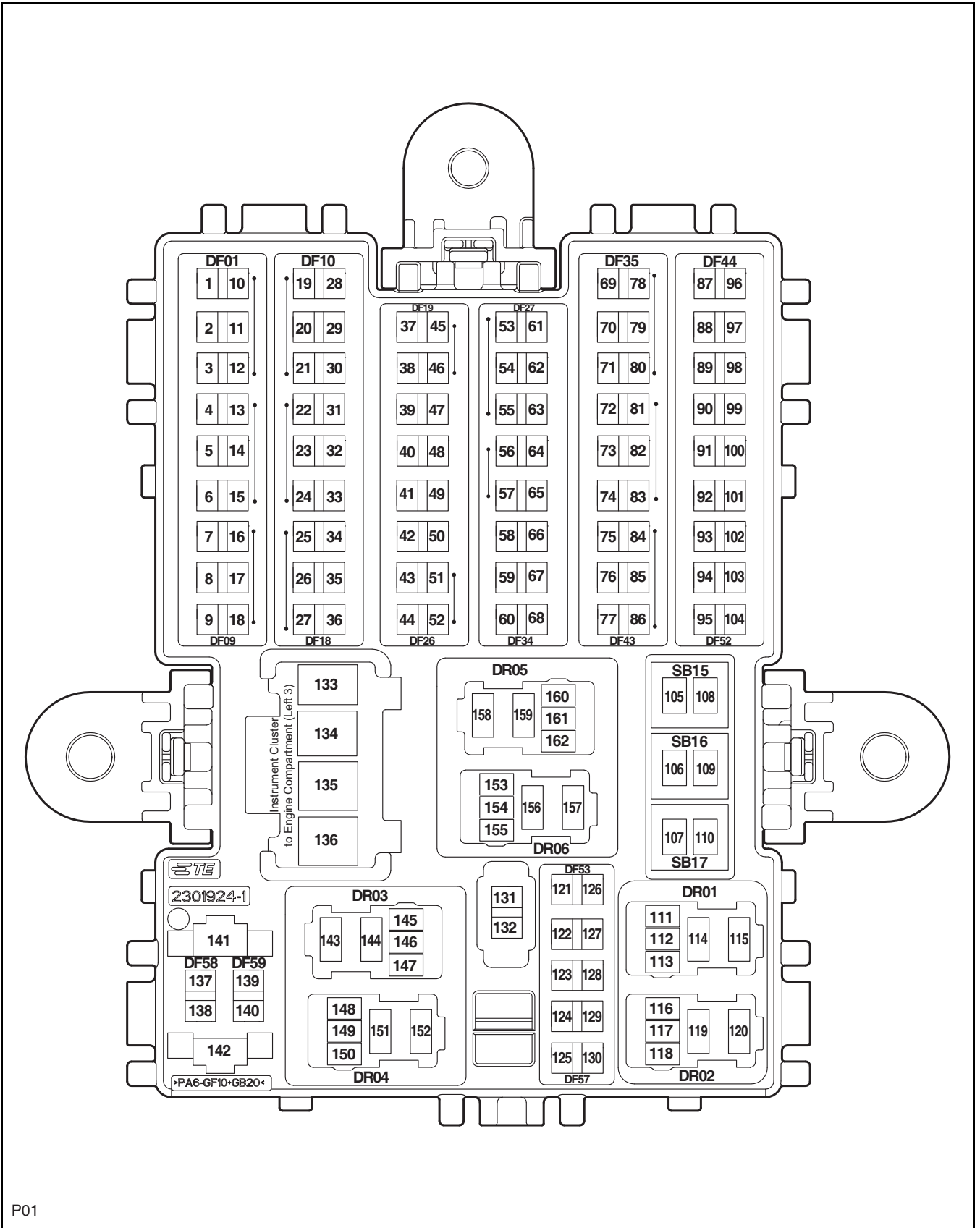
C6417004

Battery Fuse Box



C18

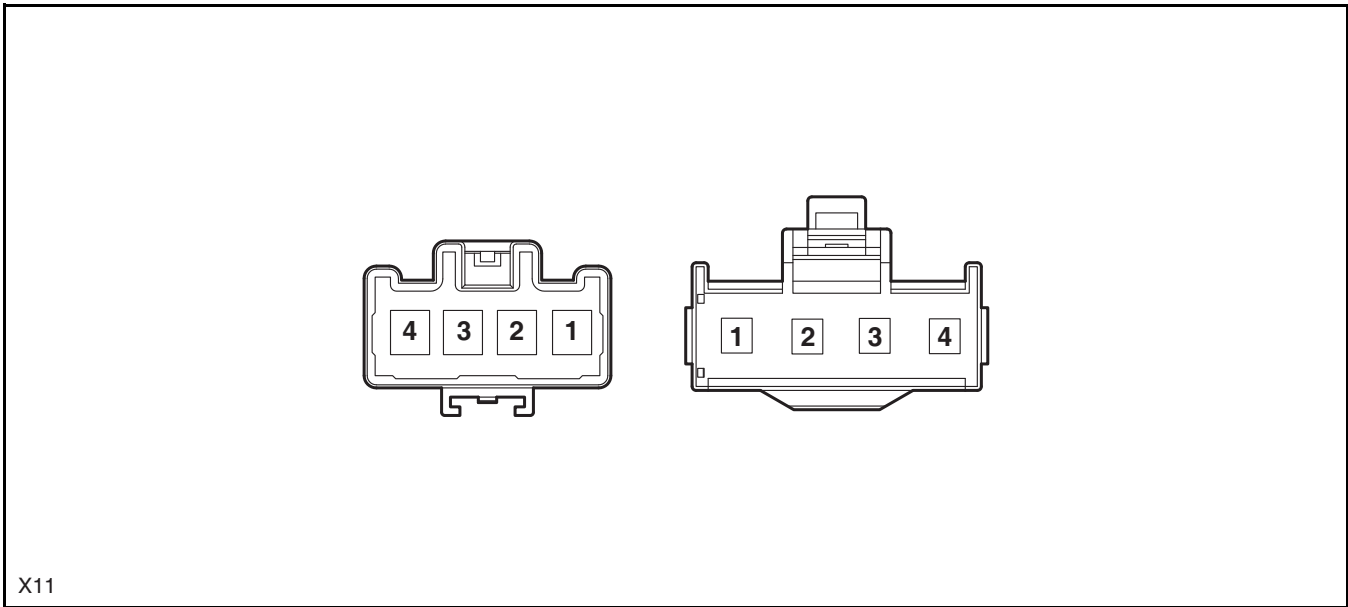
Instrument Panel Fuse Box



P01

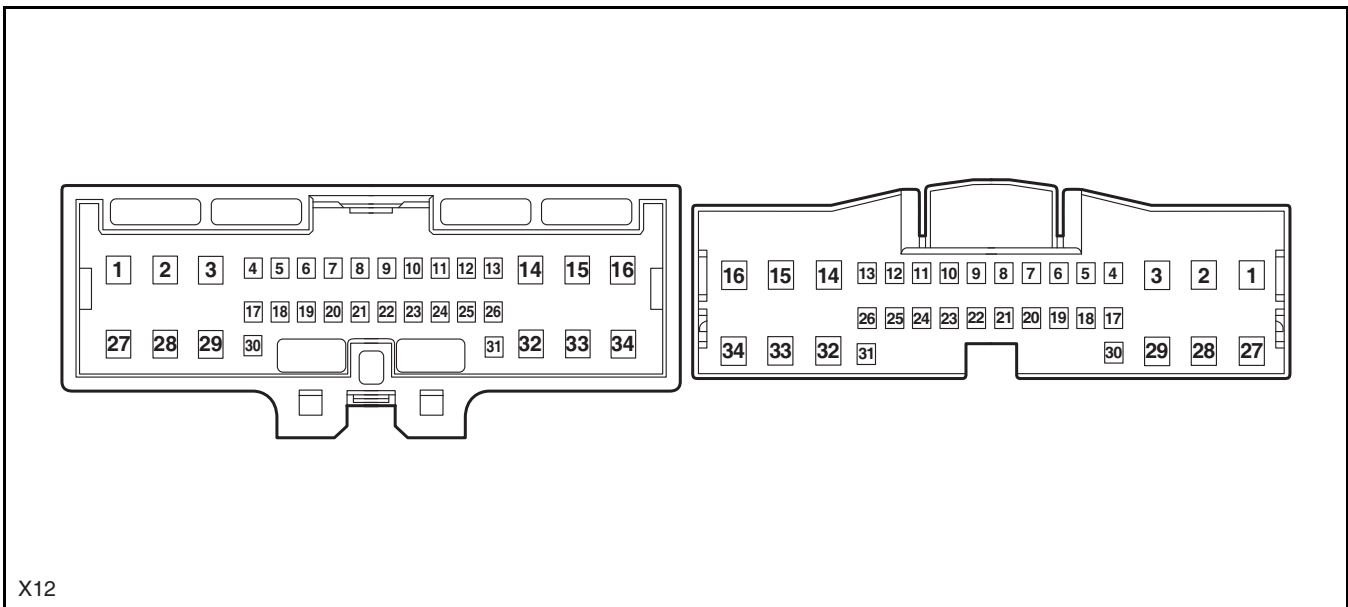
Instrument Panel Wiring Harness to Engine
Compartment Wiring Harness (Left 3)

Engine Compartment Wiring Harness to Instrument
Panel Wiring Harness (Left 3)



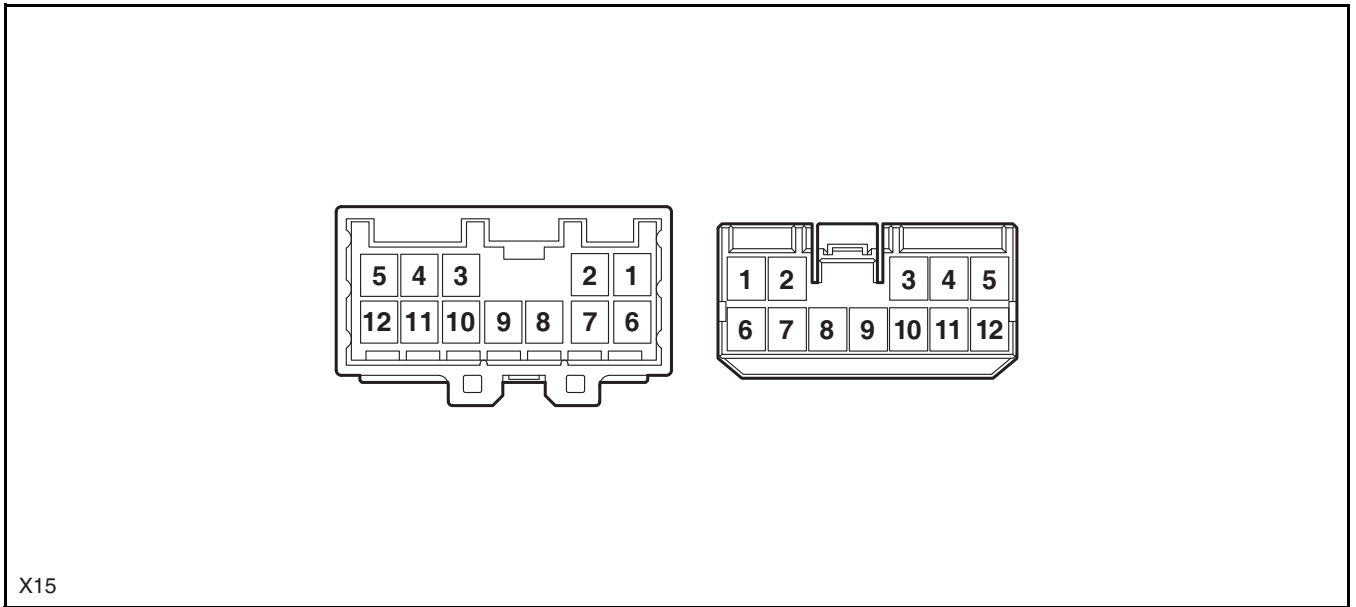
Instrument Panel Wiring Harness to Roof Wiring
Harness (Left 1)

Roof Wiring Harness to Instrument Panel Wiring
Harness (Left 1)



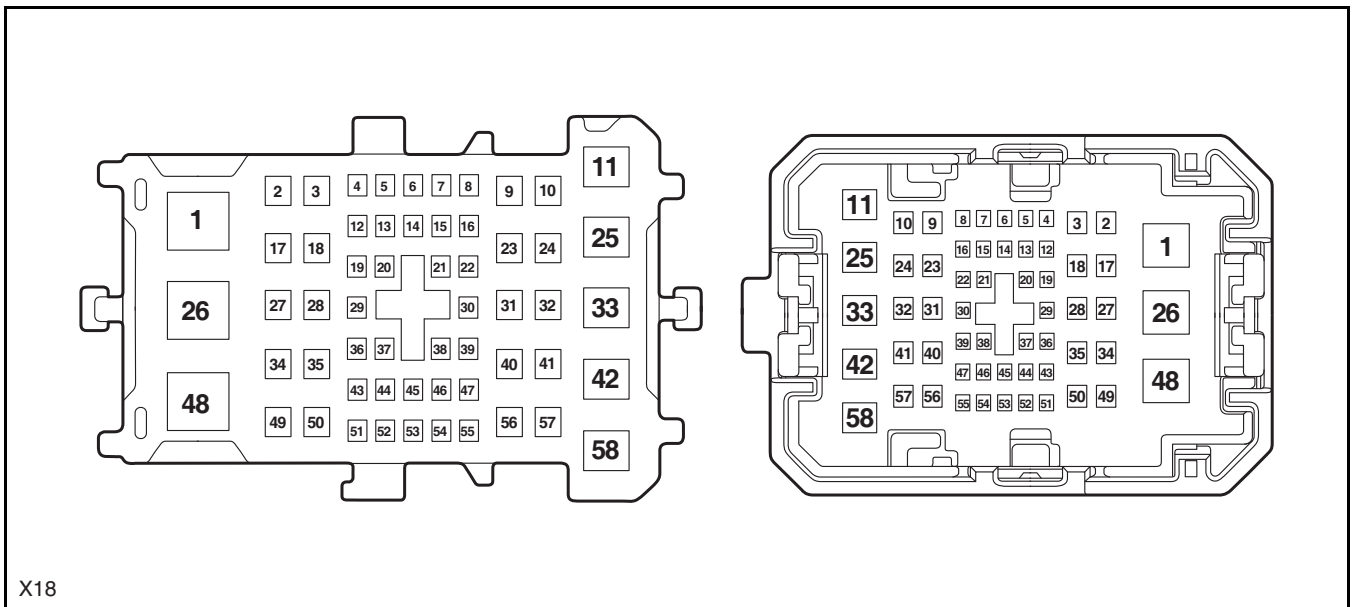
Instrument Panel Wiring Harness to Roof Wiring Harness (Right)

Roof Wiring Harness to Instrument Panel Wiring Harness (Right)



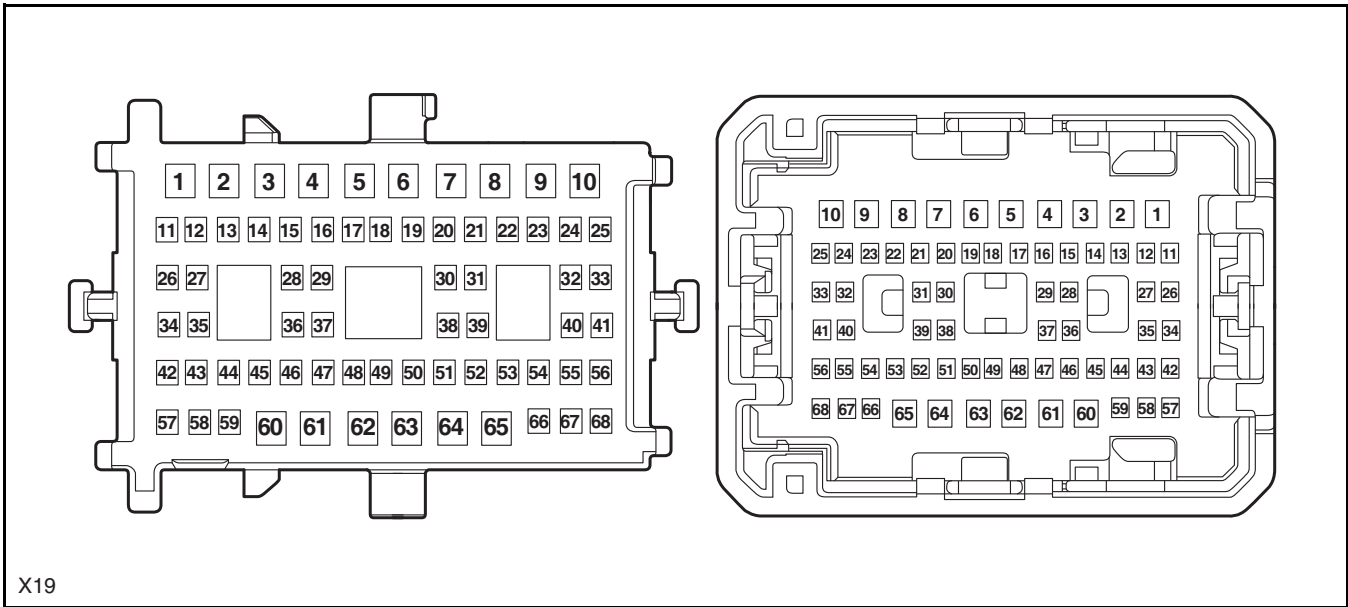
Instrument Panel Wiring Harness to Engine Compartment Wiring Harness (Right 1)

Engine Compartment Wiring Harness to Instrument Panel Wiring Harness (Right 1)



Instrument Panel Wiring Harness to Chassis Wiring Harness (Right 1)

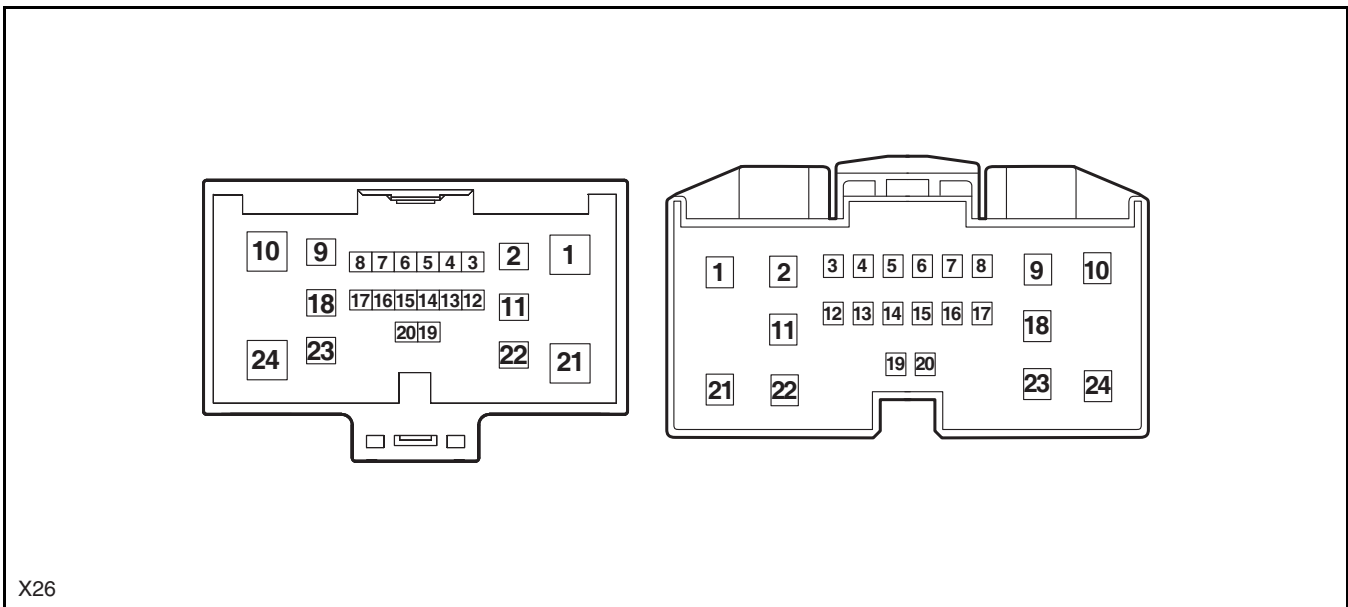
Chassis Wiring Harness to Instrument Panel Wiring Harness (Right 1)



X19

Chassis Wiring Harness to Engine Compartment Wiring Harness (Left 1)

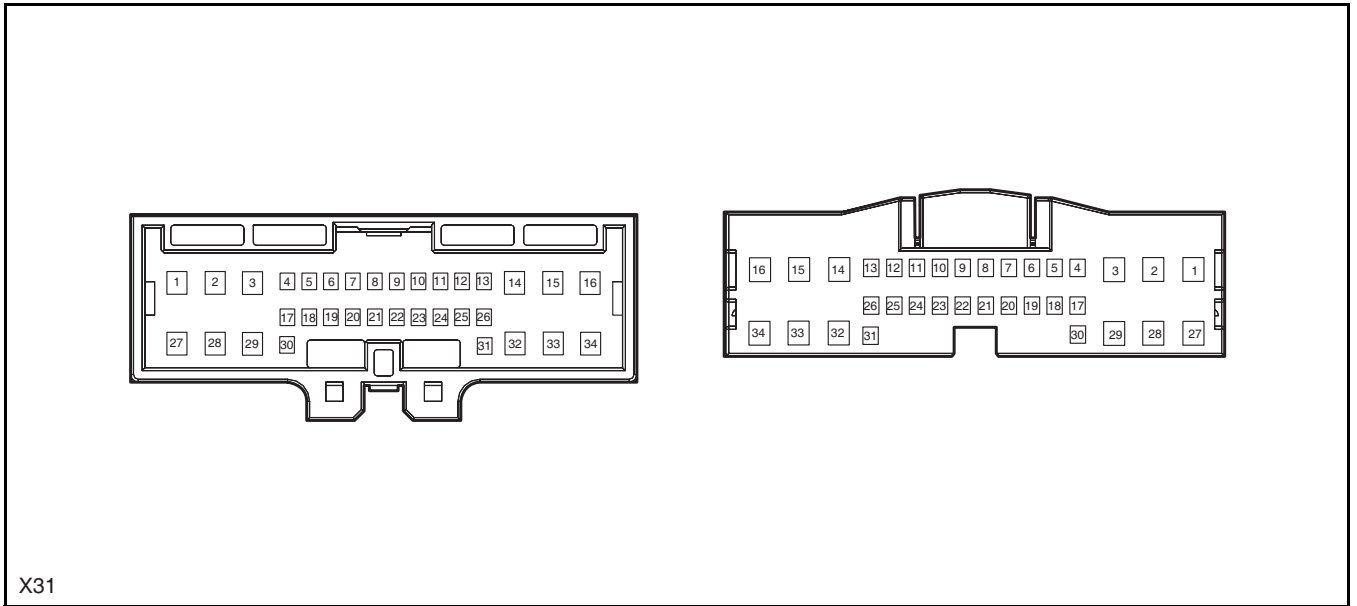
Engine Compartment Wiring Harness to Chassis Wiring Harness (Left 1)



X26

Chassis Wiring Harness to Back Door Wiring Harness

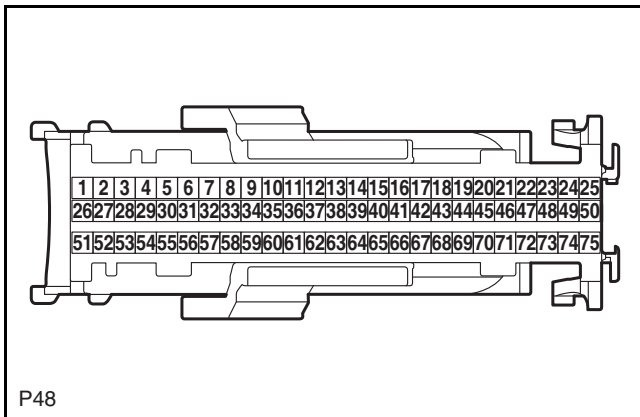
Back Door Wiring Harness to Chassis Wiring Harness



X31

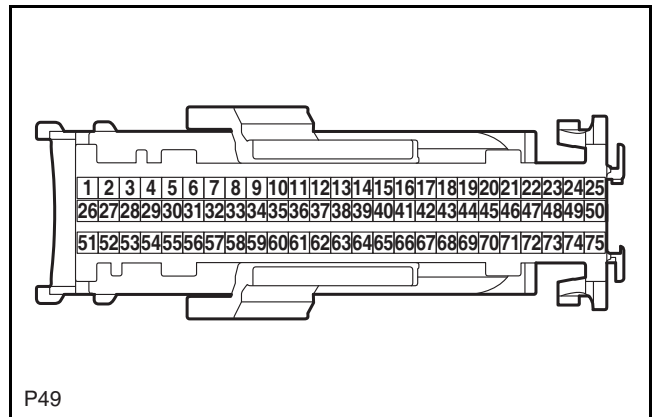
IBCM-J7

IBCM-J1



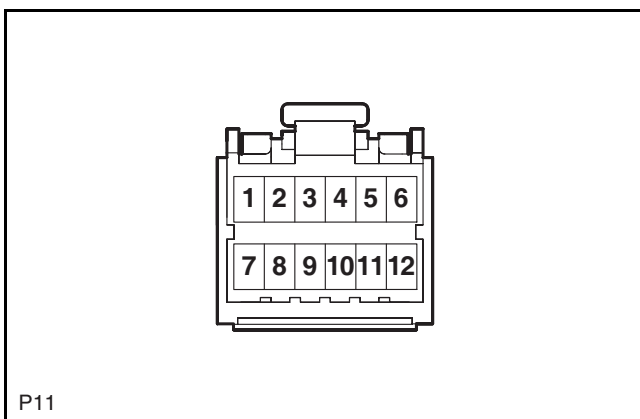
P48

Combination Switch - Wiper

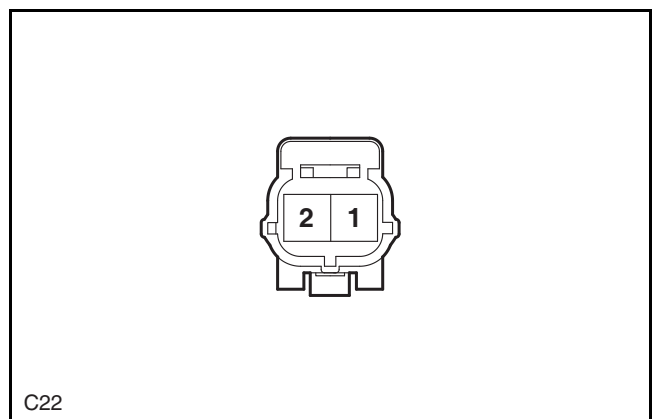


P49

Front Washer Motor

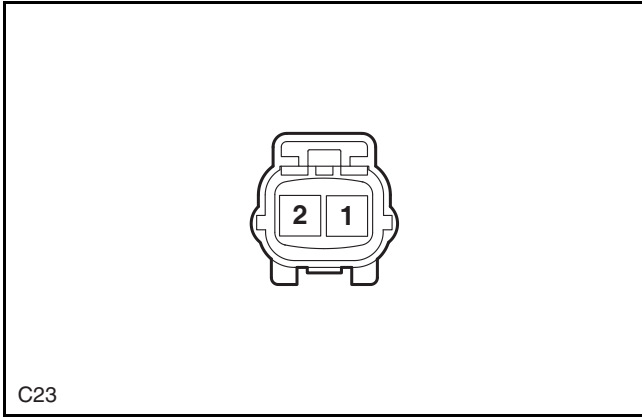


P11

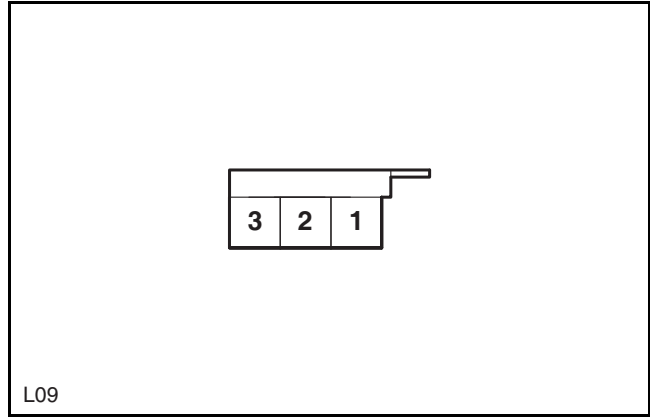


C22

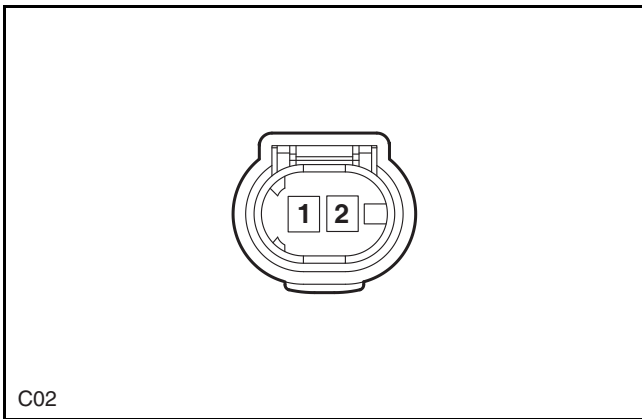
Rear Washer Motor



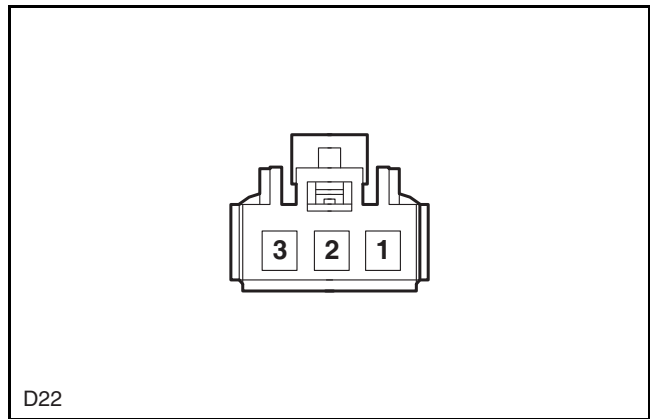
Rain/Ambient Light Sensor



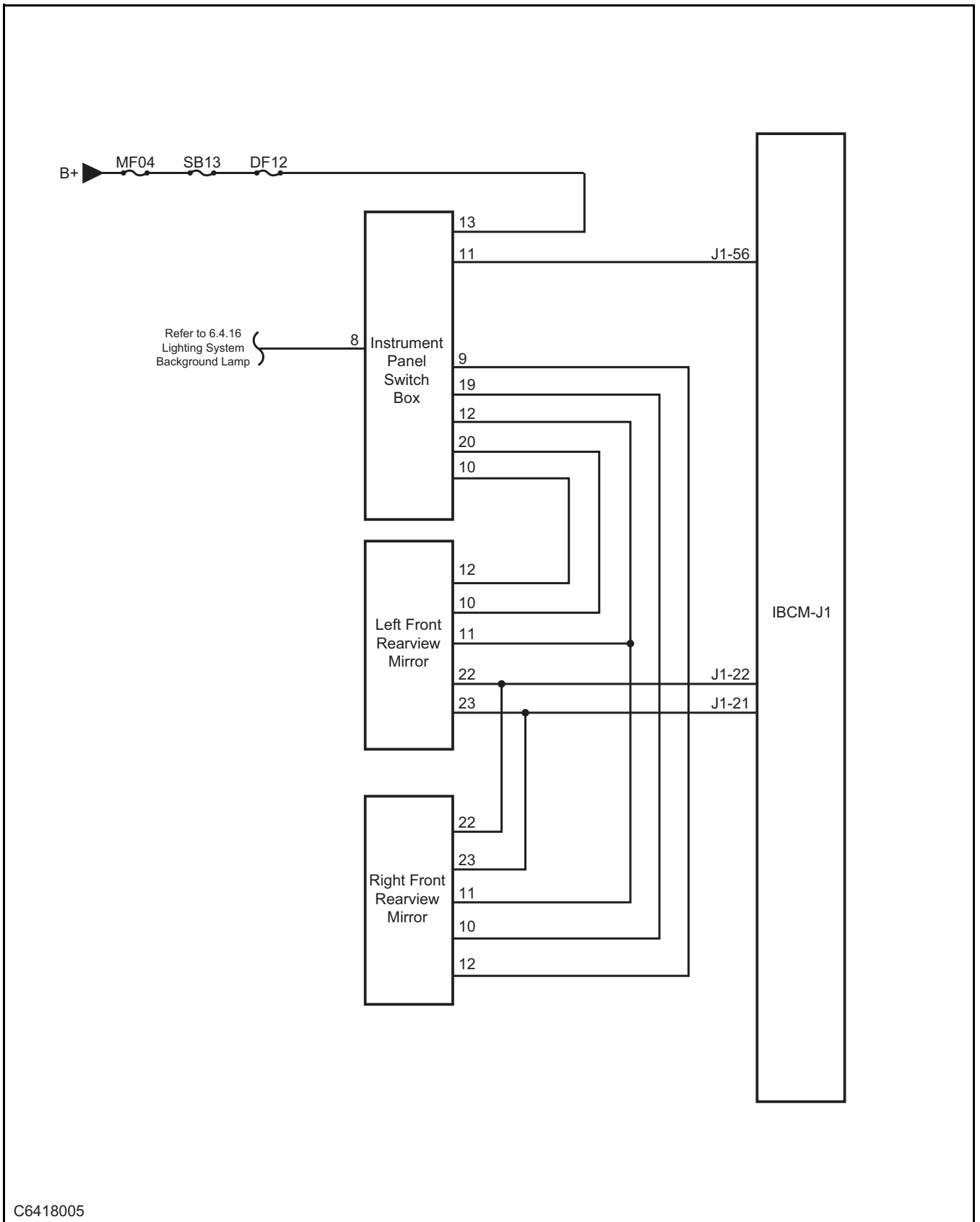
Battery Sensor



Rear Wiper Motor

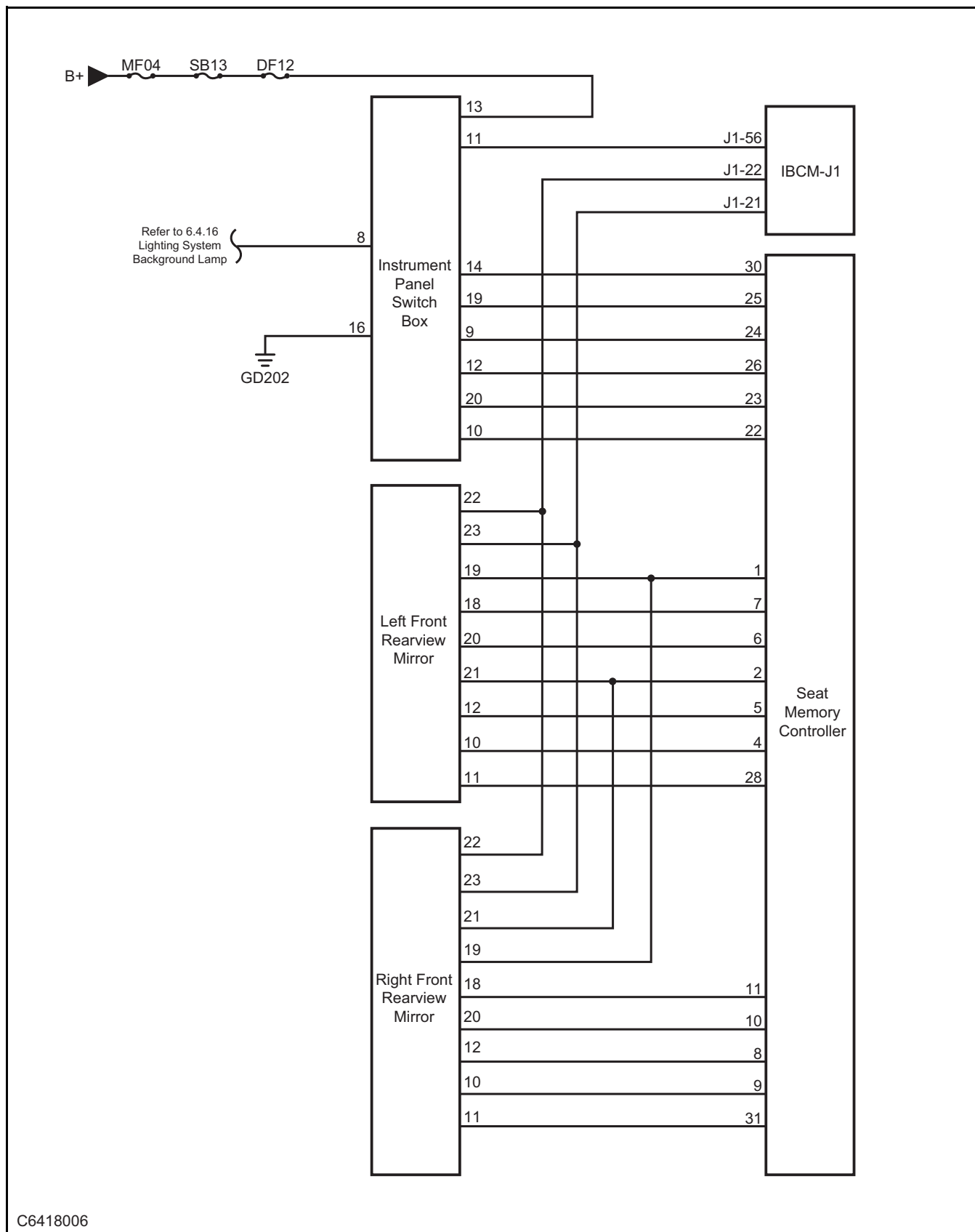


Power Rearview Mirror



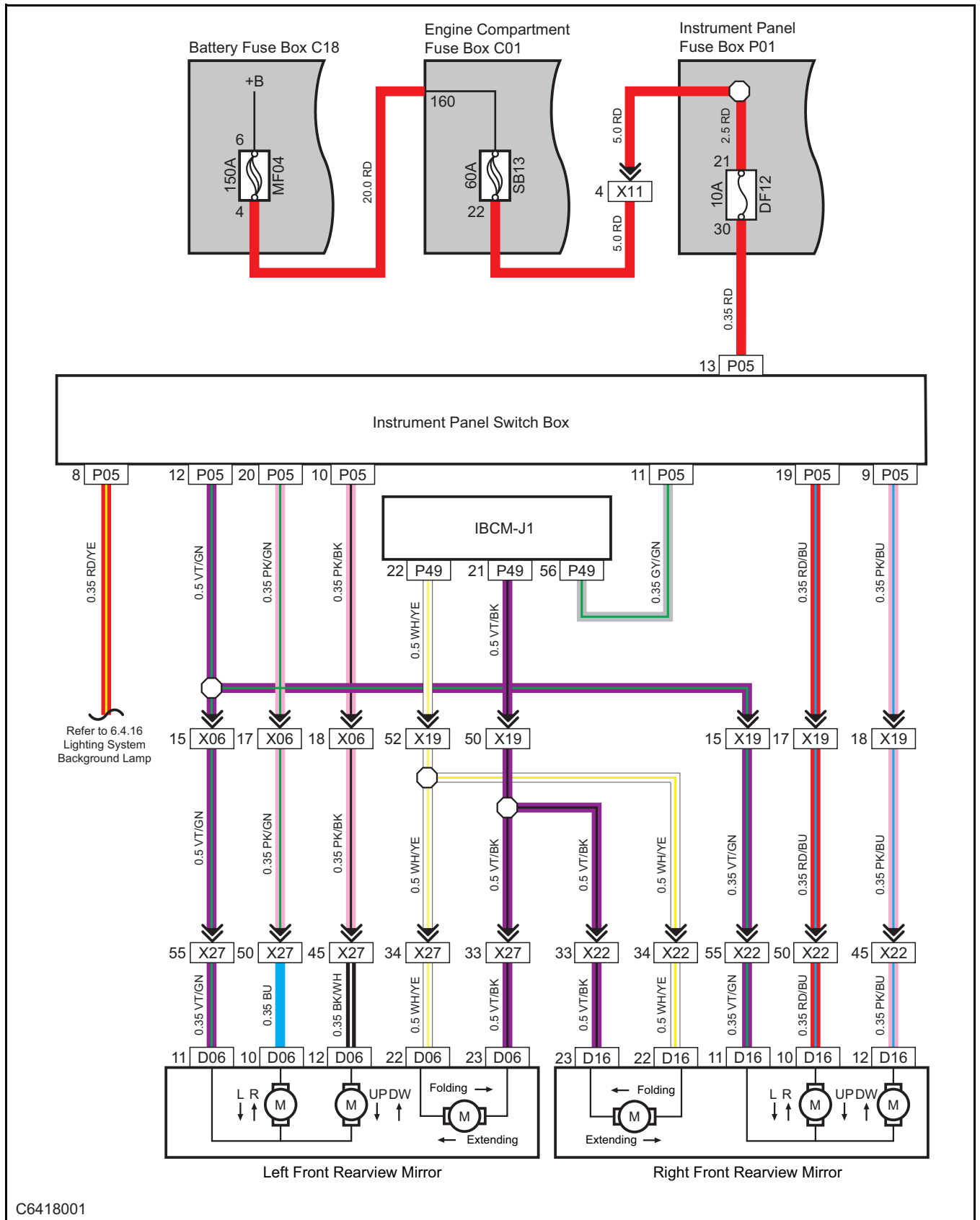
C6418005

Memory Function Rearview Mirror

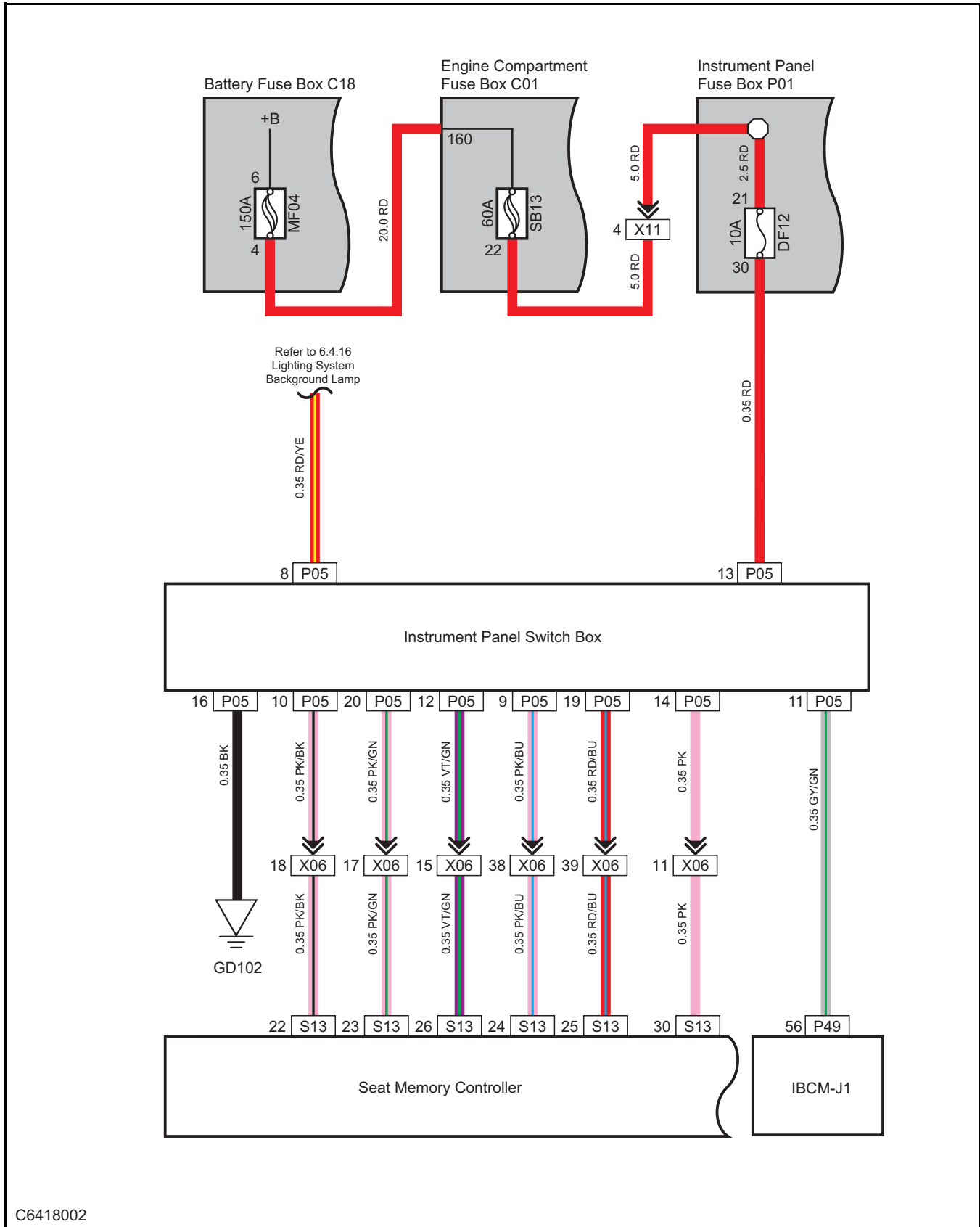


C6418006

Power Rearview Mirror Folding/Adjusting

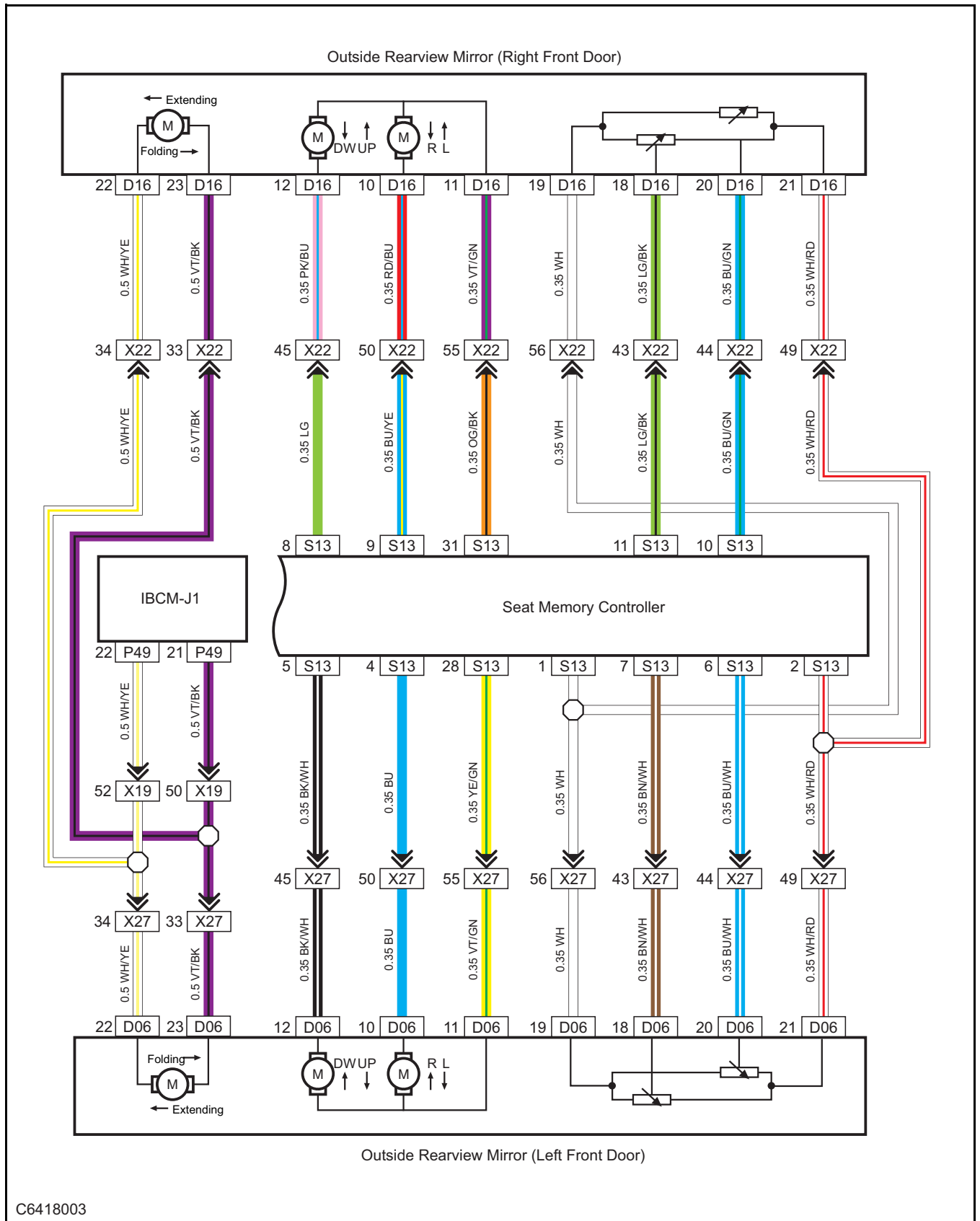


Memory Function Rearview Mirror Power Supply/Switch (Russia LV4, G.C.C. LV4)

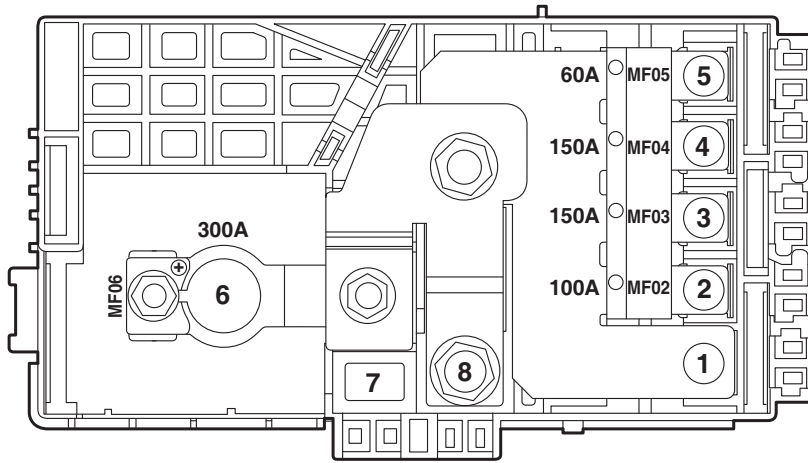


C6418002

Memory Function Rearview Mirror Folding/Adjusting (Russia LV4, G.C.C. LV4)

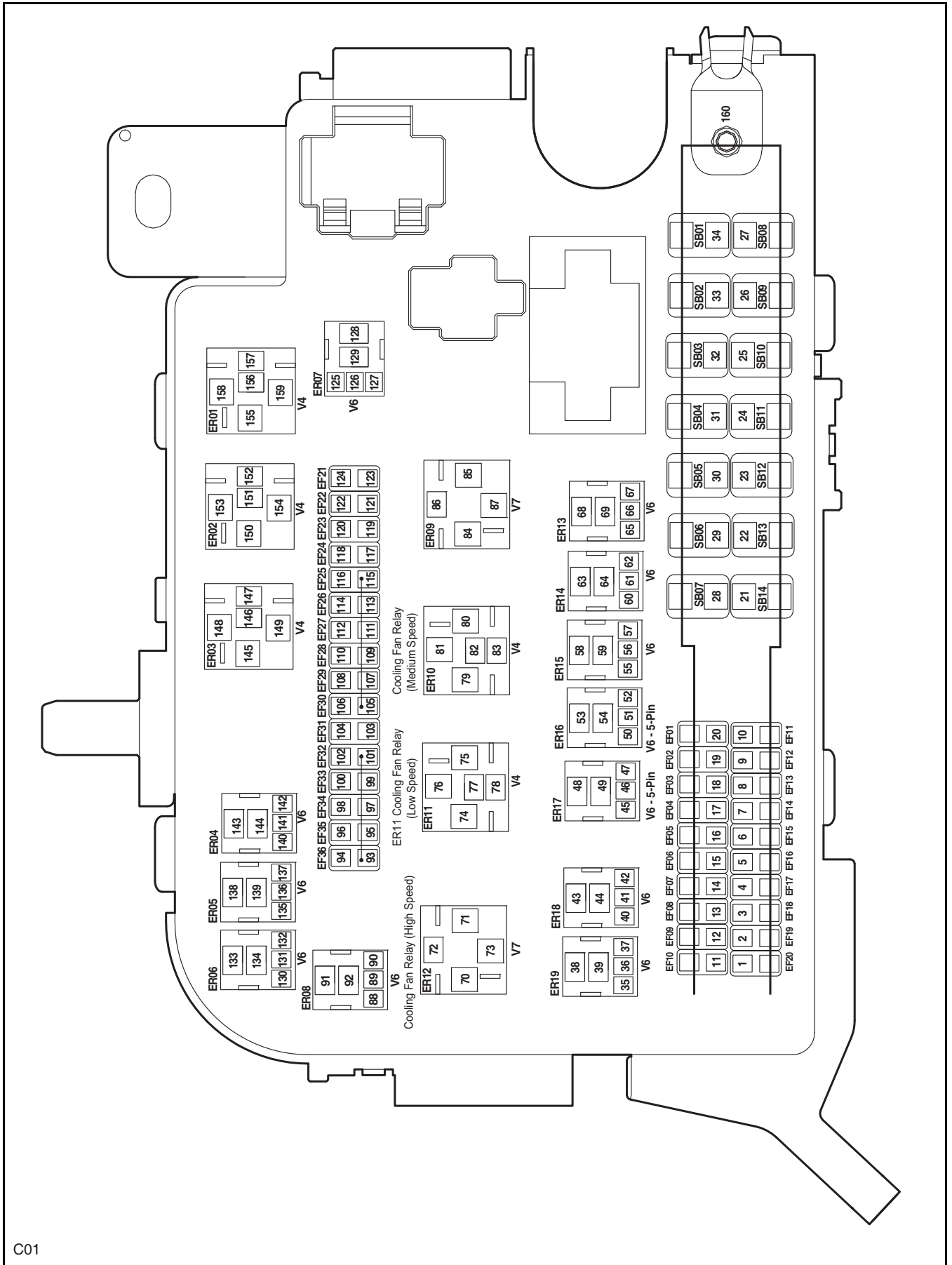


Battery Fuse Box



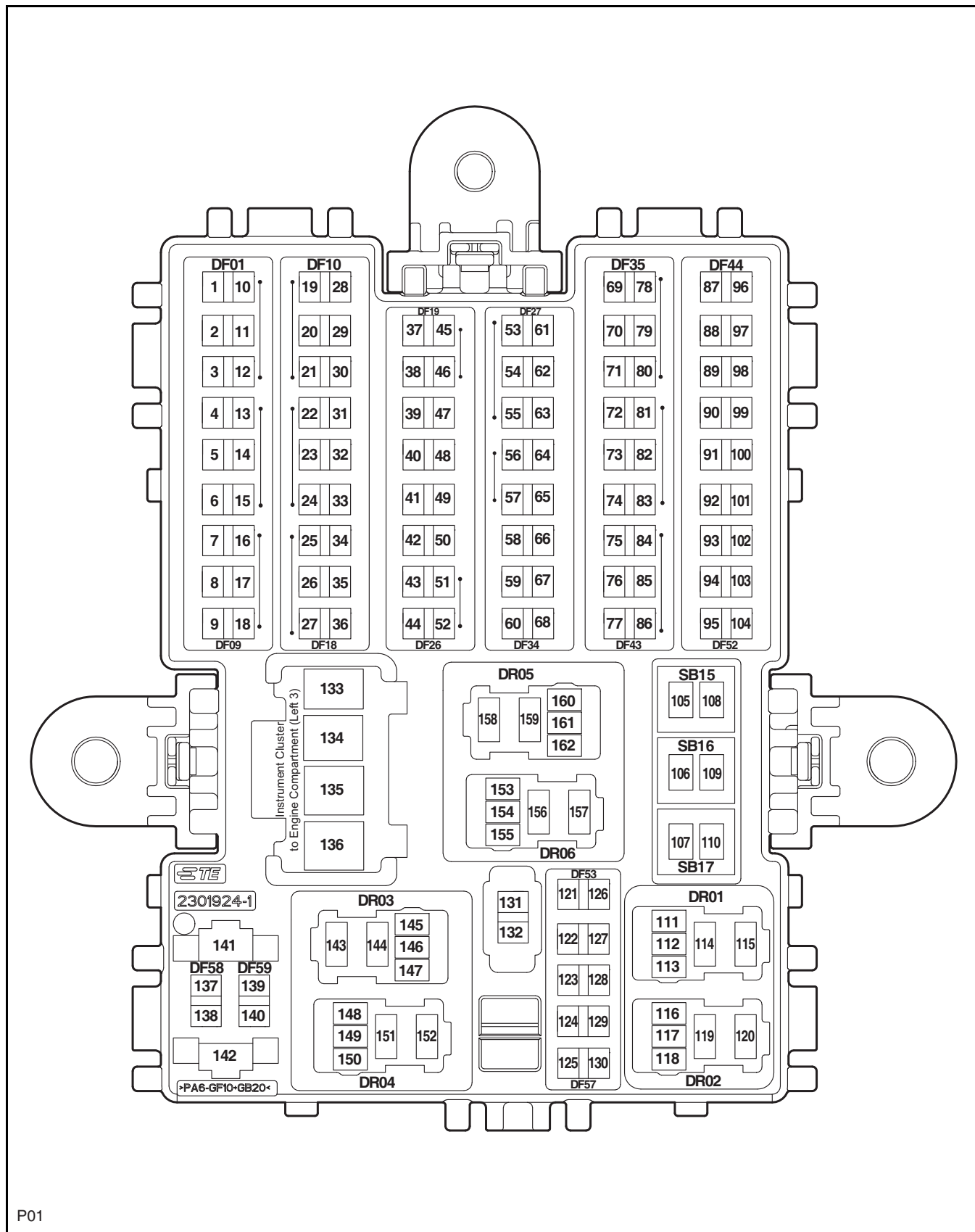
C18

Engine Compartment Fuse Box



C01

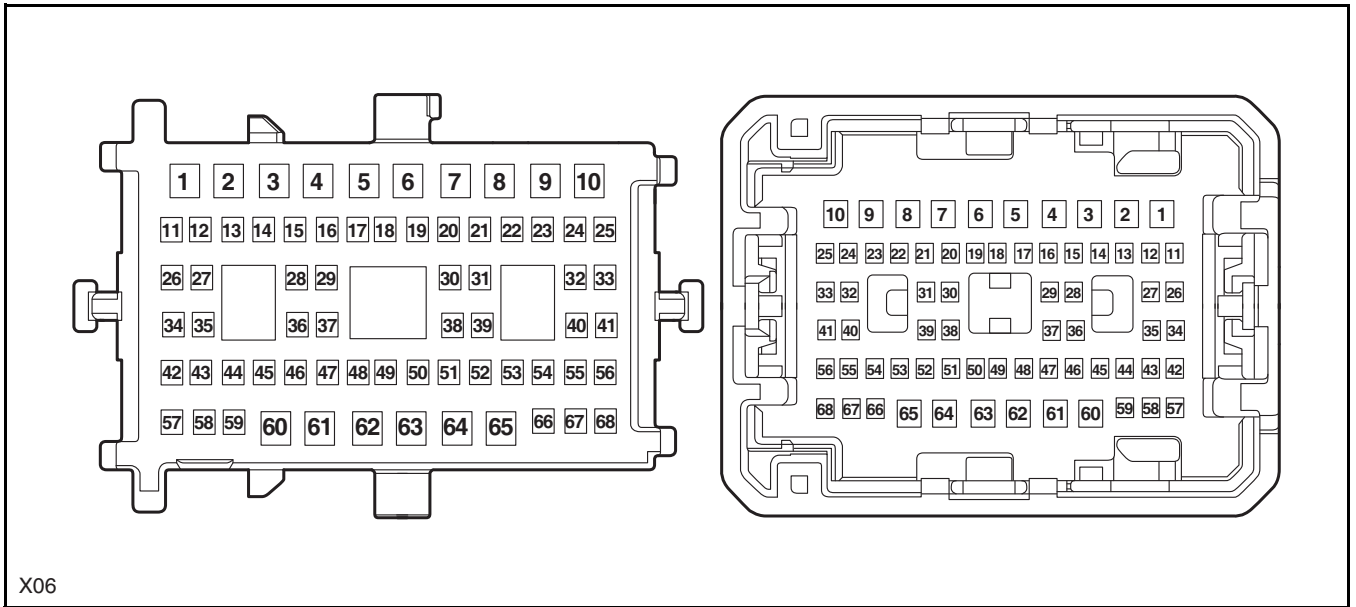
Instrument Panel Fuse Box



P01

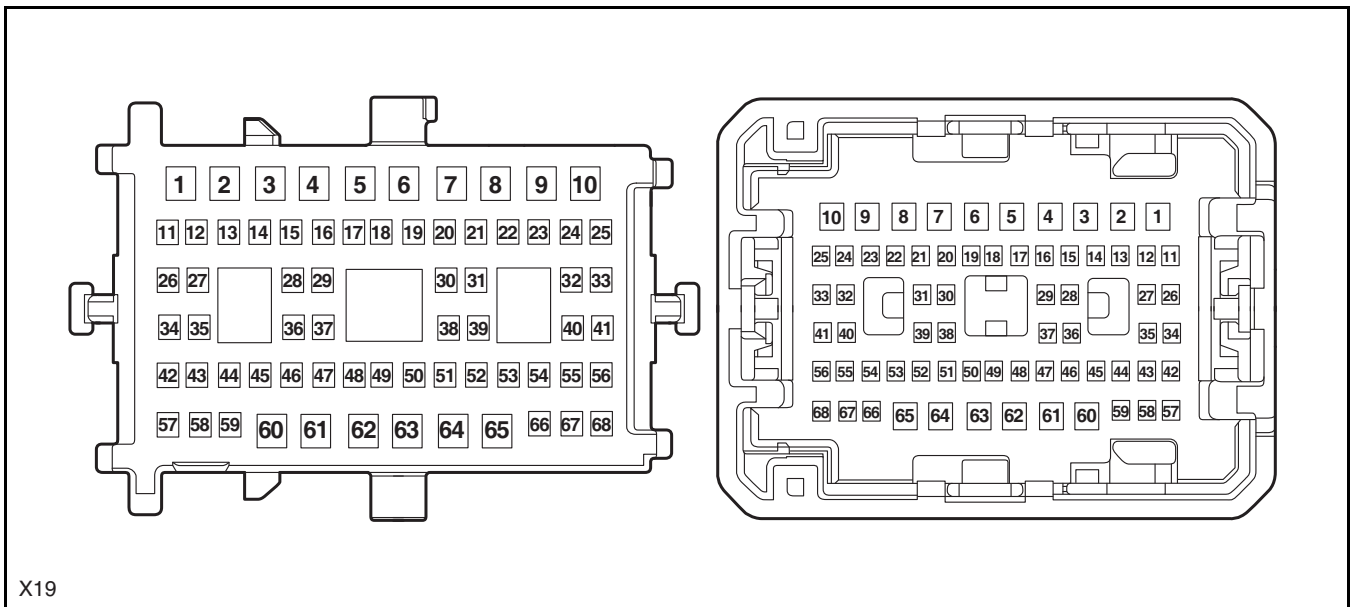
Instrument Panel Wiring Harness to Chassis Wiring Harness (Left 1)

Chassis Wiring Harness to Instrument Panel Wiring Harness (Left 1)



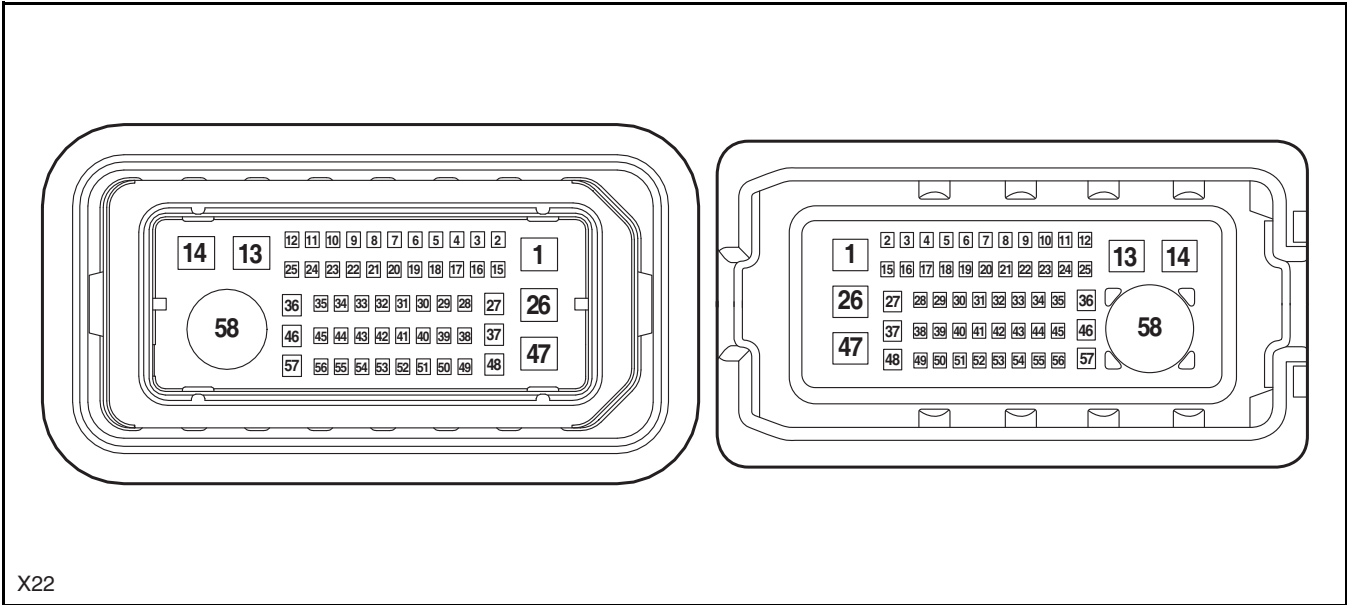
Instrument Panel Wiring Harness to Chassis Wiring Harness (Right 1)

Chassis Wiring Harness to Instrument Panel Wiring Harness (Right 1)



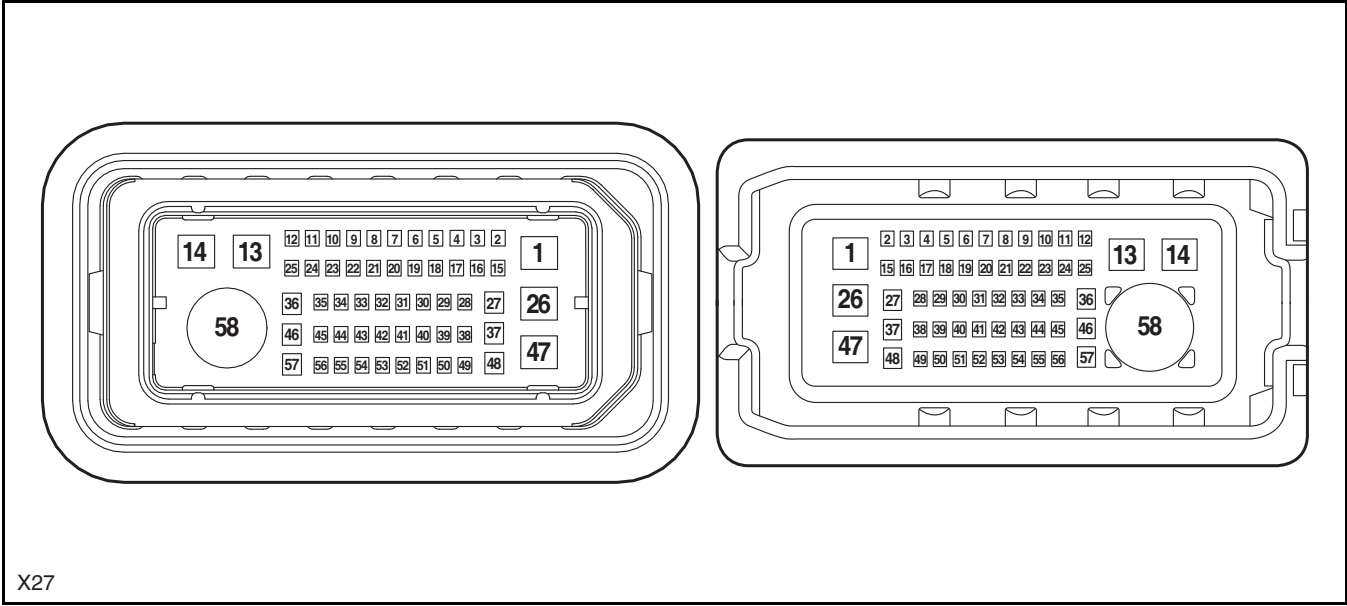
Chassis Wiring Harness to Right Front Door Wiring Harness

Right Front Door Wiring Harness to Chassis Wiring Harness



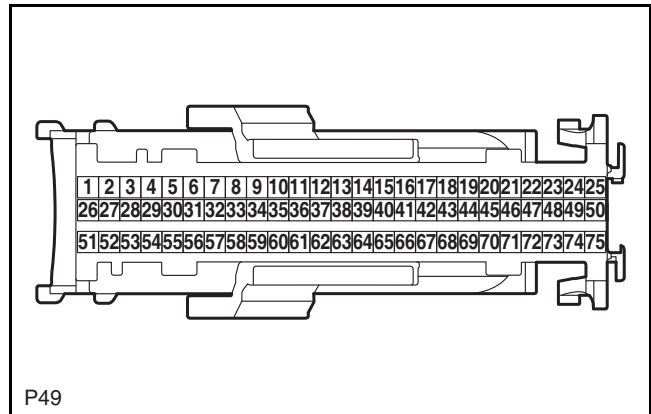
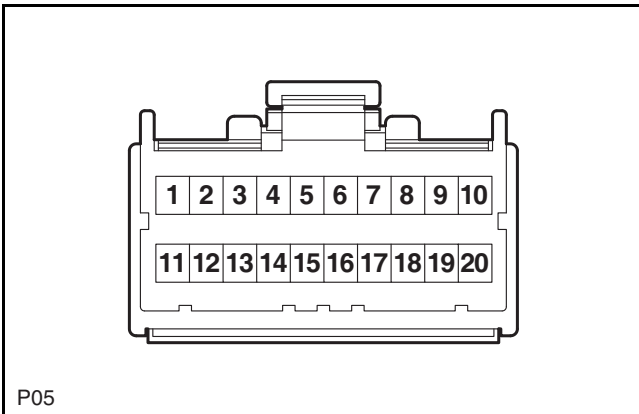
Chassis Wiring Harness to Left Front Door Wiring Harness

Left Front Door Wiring Harness to Chassis Wiring Harness

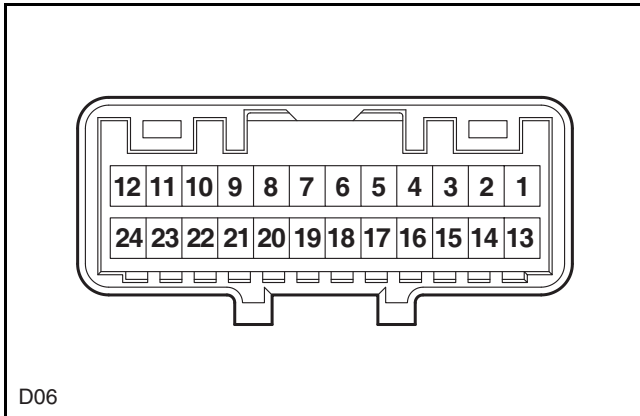


Instrument Panel Switch Box

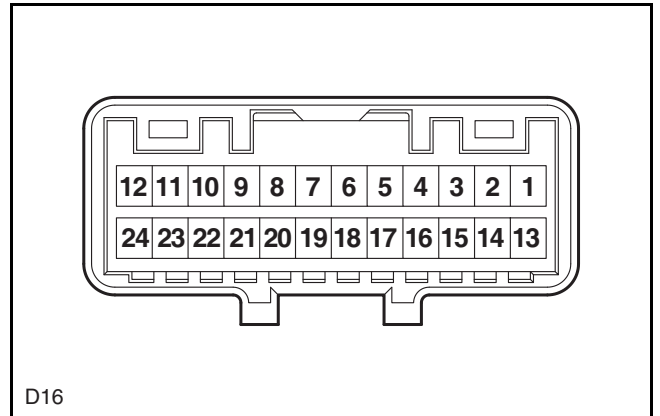
IBCM-J1



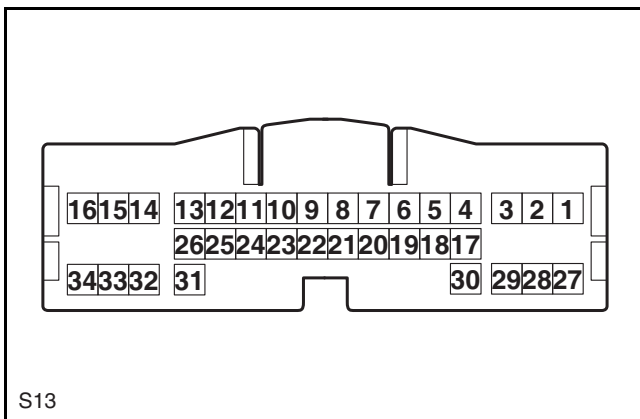
Left Front Rearview Mirror



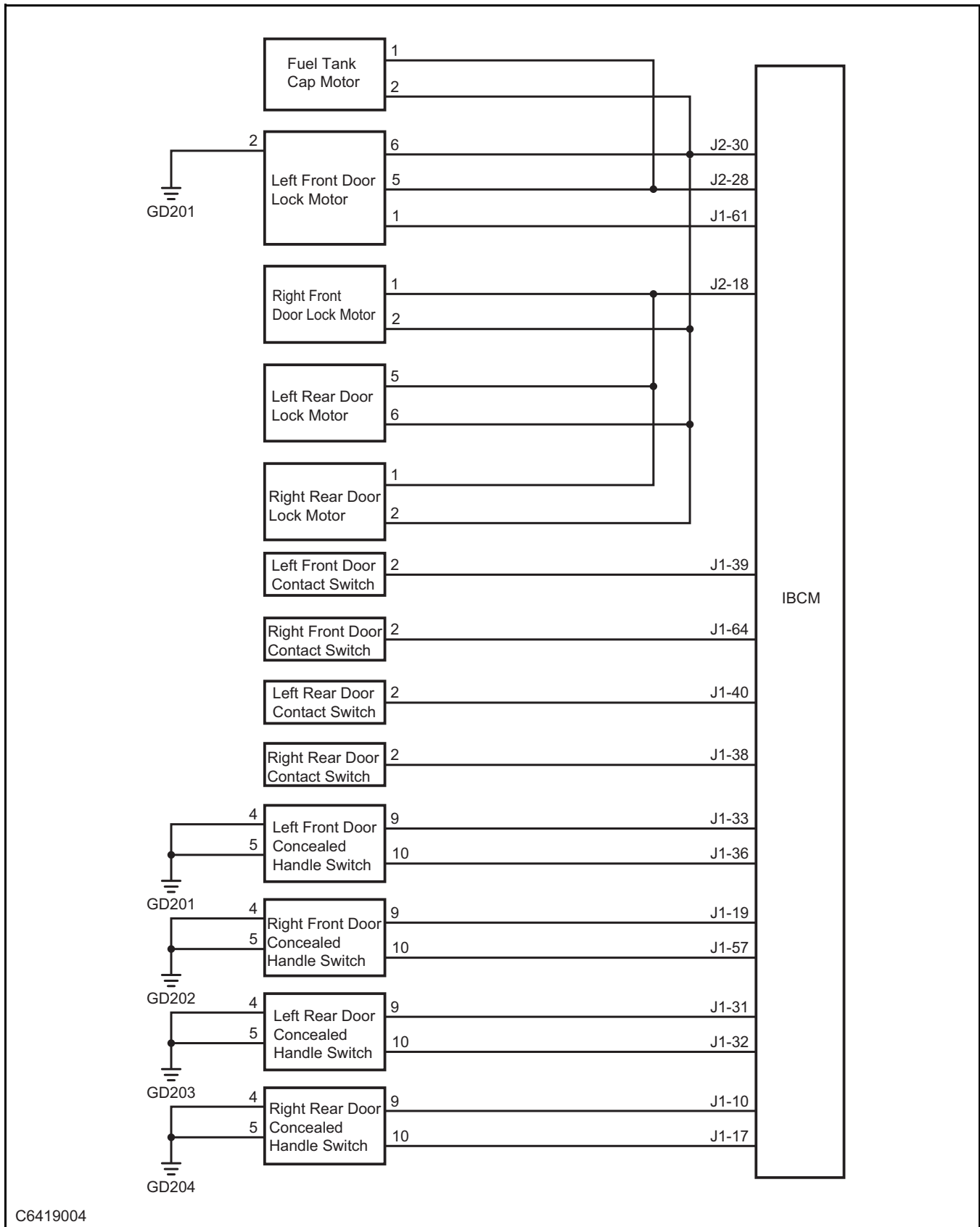
Right Front Rearview Mirror



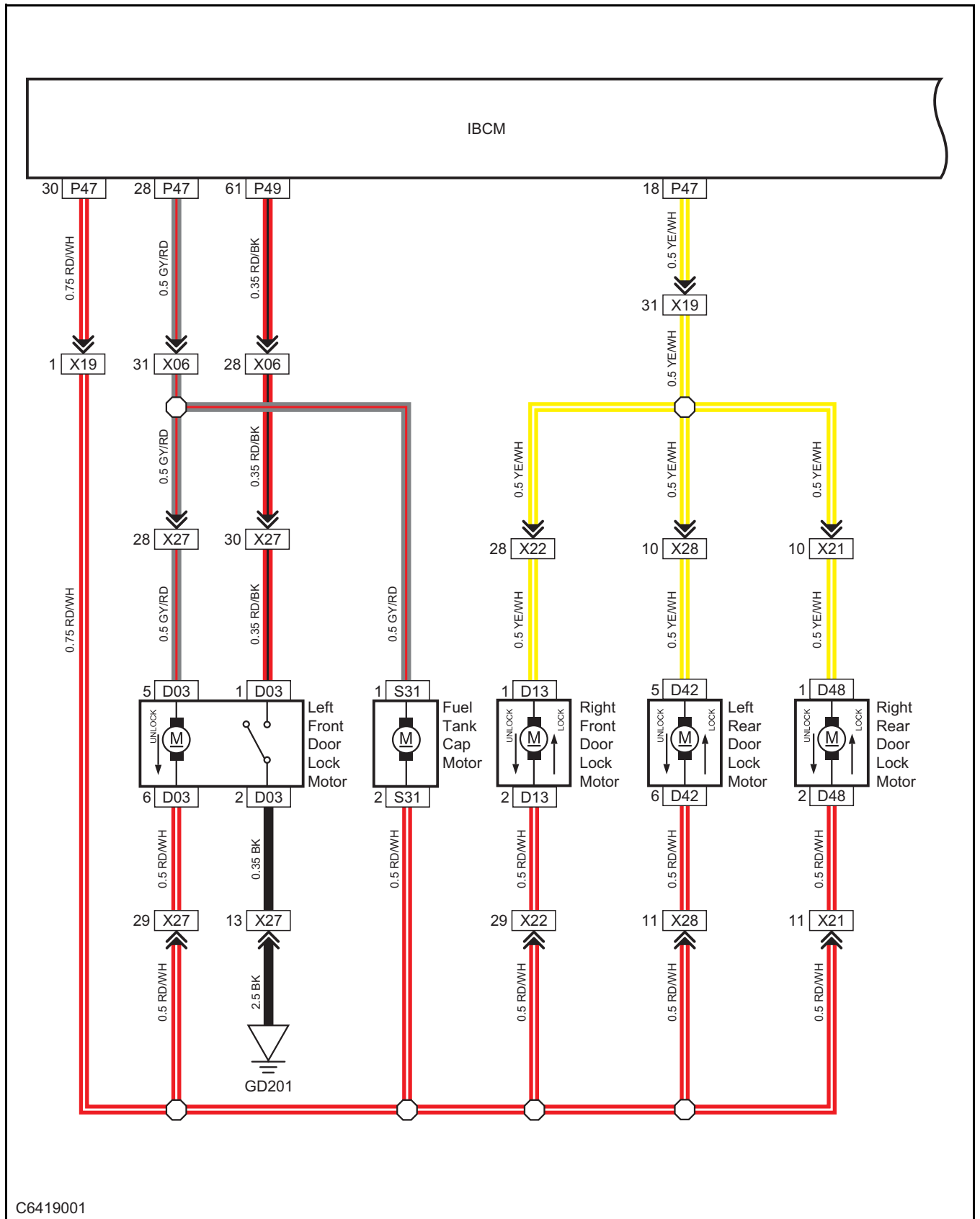
Seat Memory Controller



Central Door Lock and Body Theft Deterrent System

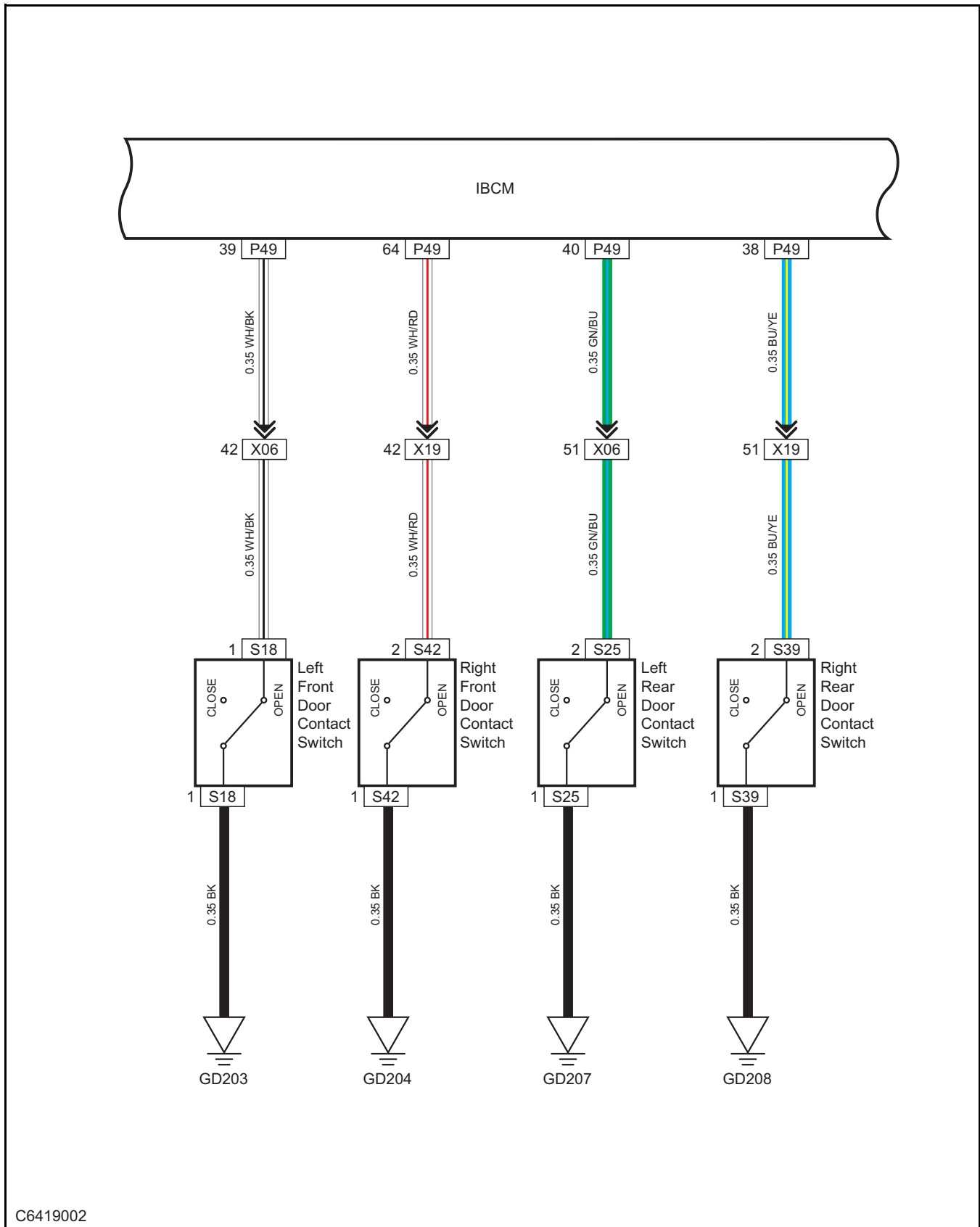


Door Lock Motor/Fuel Tank Cap Motor



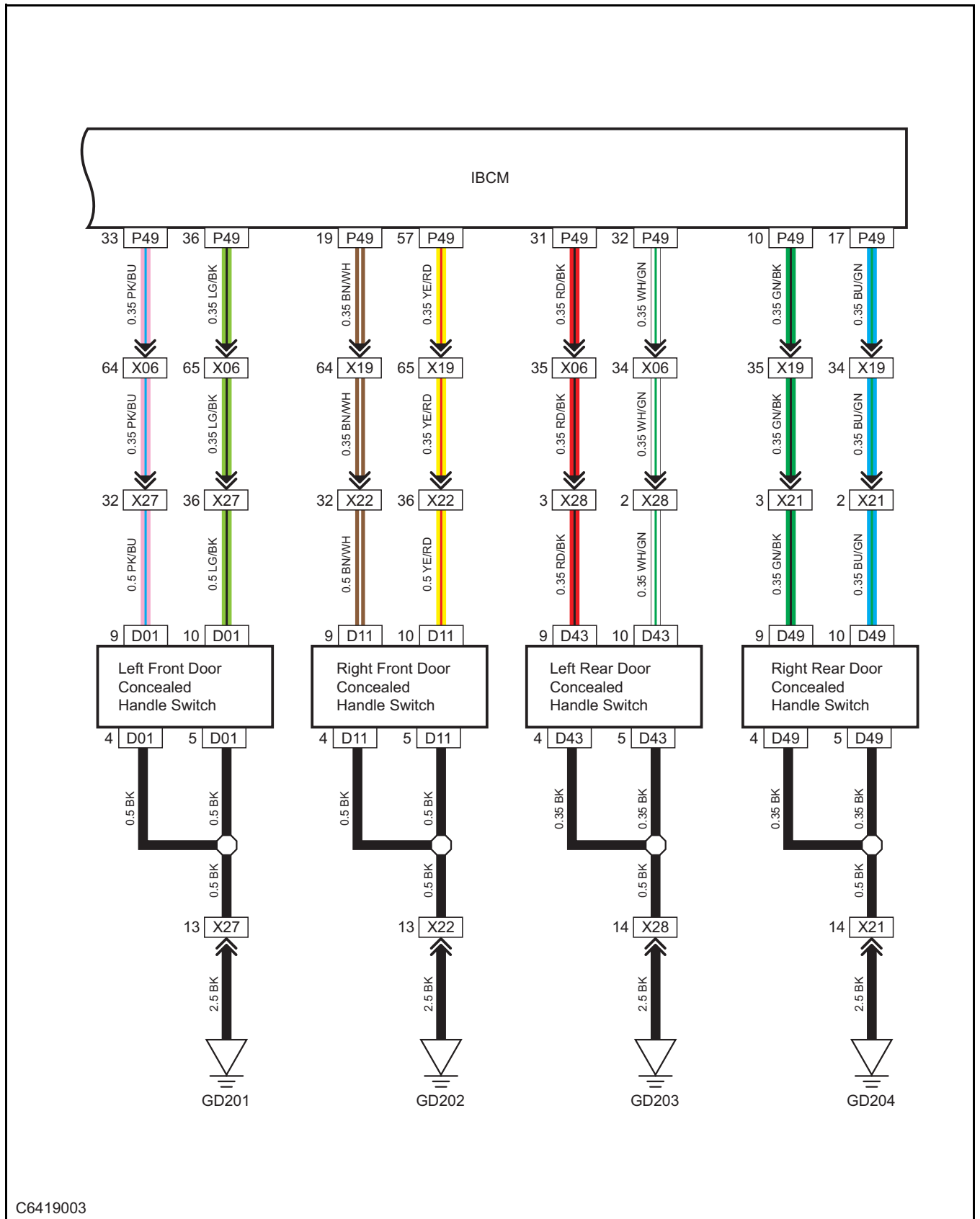
C6419001

Door Contact Switch



C6419002

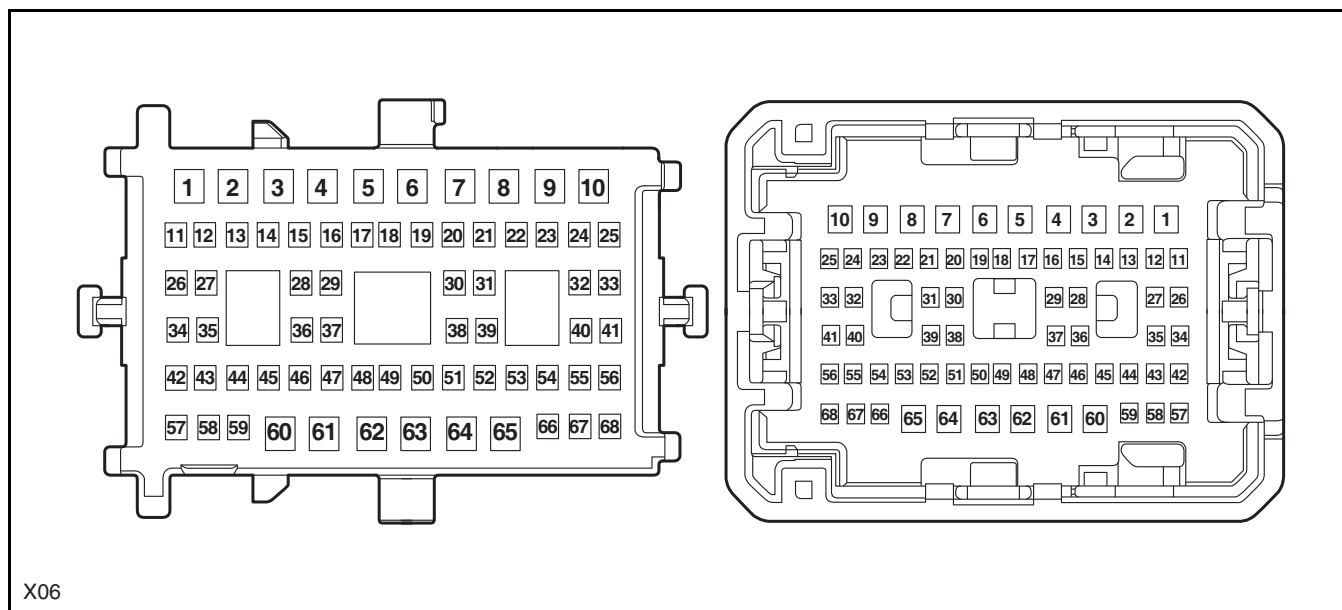
MIST Switch



C6419003

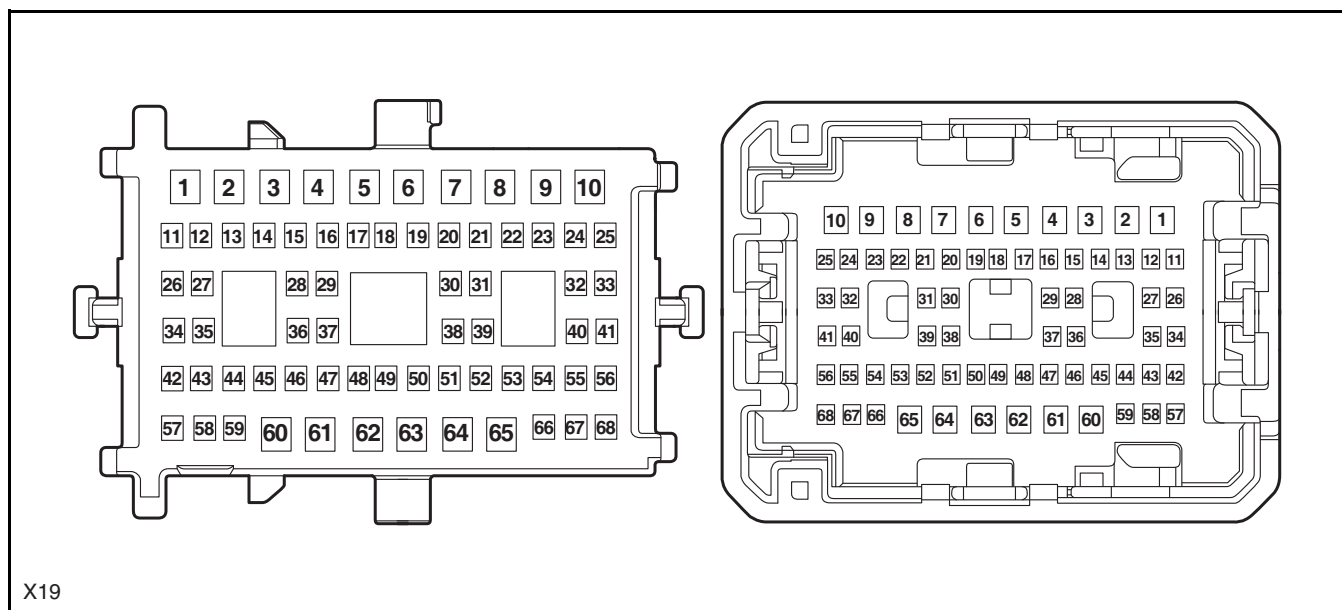
Instrument Panel Wiring Harness to Chassis Wiring Harness (Left 1)

Chassis Wiring Harness to Instrument Panel Wiring Harness (Left 1)



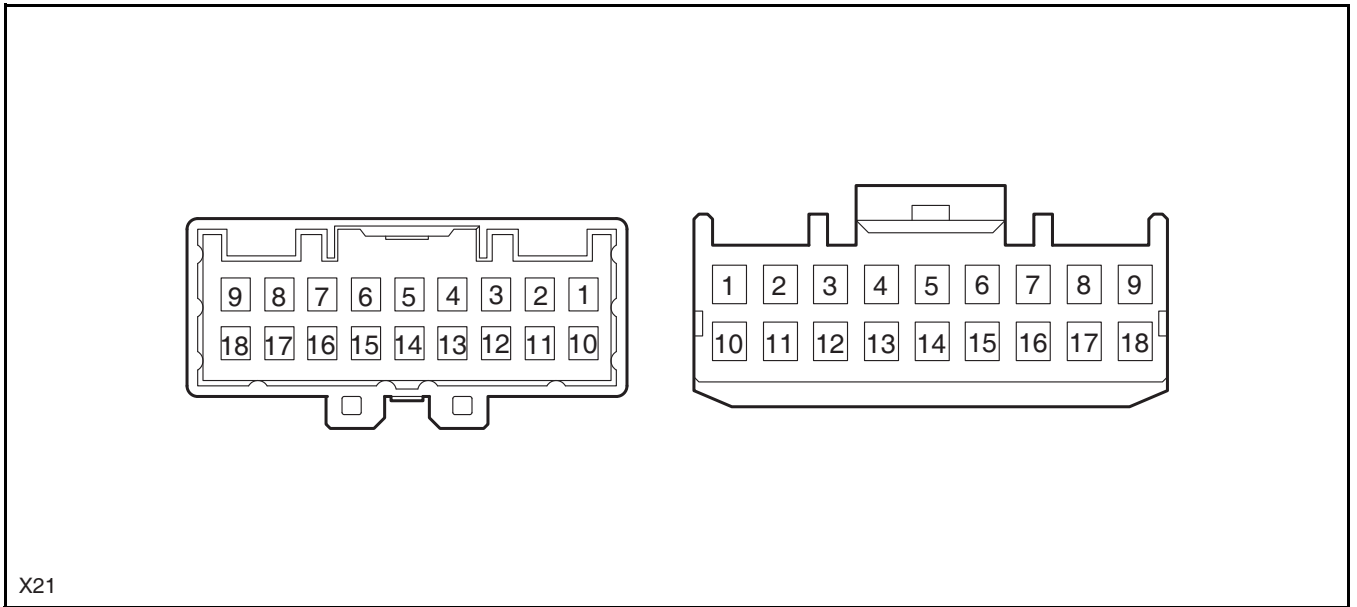
Instrument Panel Wiring Harness to Chassis Wiring Harness (Right 1)

Chassis Wiring Harness to Instrument Panel Wiring Harness (Right 1)



Chassis Wiring Harness to Right Rear Door Wiring Harness

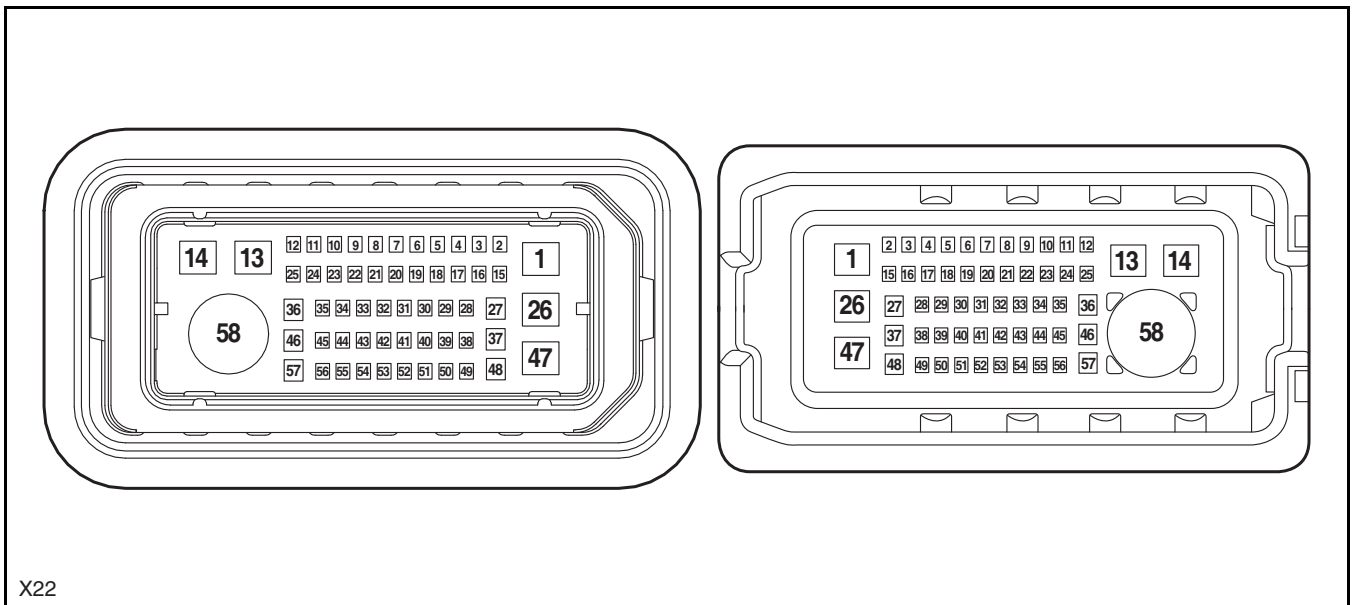
Right Rear Door Wiring Harness to Chassis Wiring Harness



X21

Chassis Wiring Harness to Right Front Door Wiring Harness

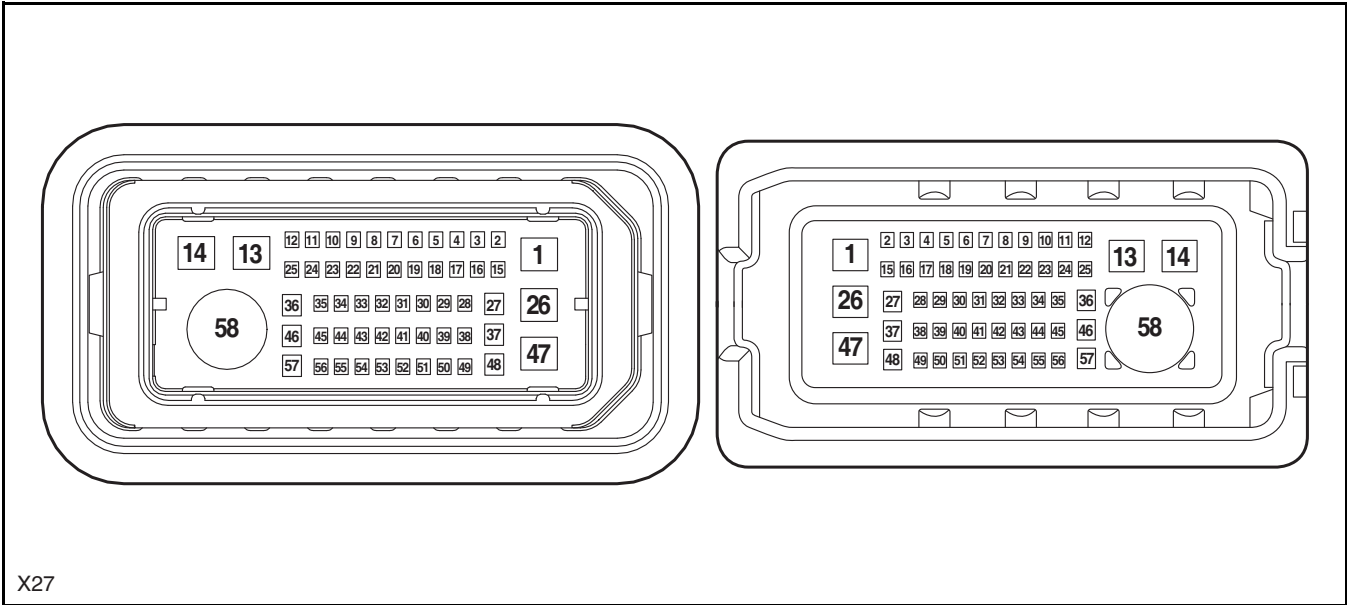
Right Front Door Wiring Harness to Chassis Wiring Harness



X22

Chassis Wiring Harness to Left Front Door Wiring Harness

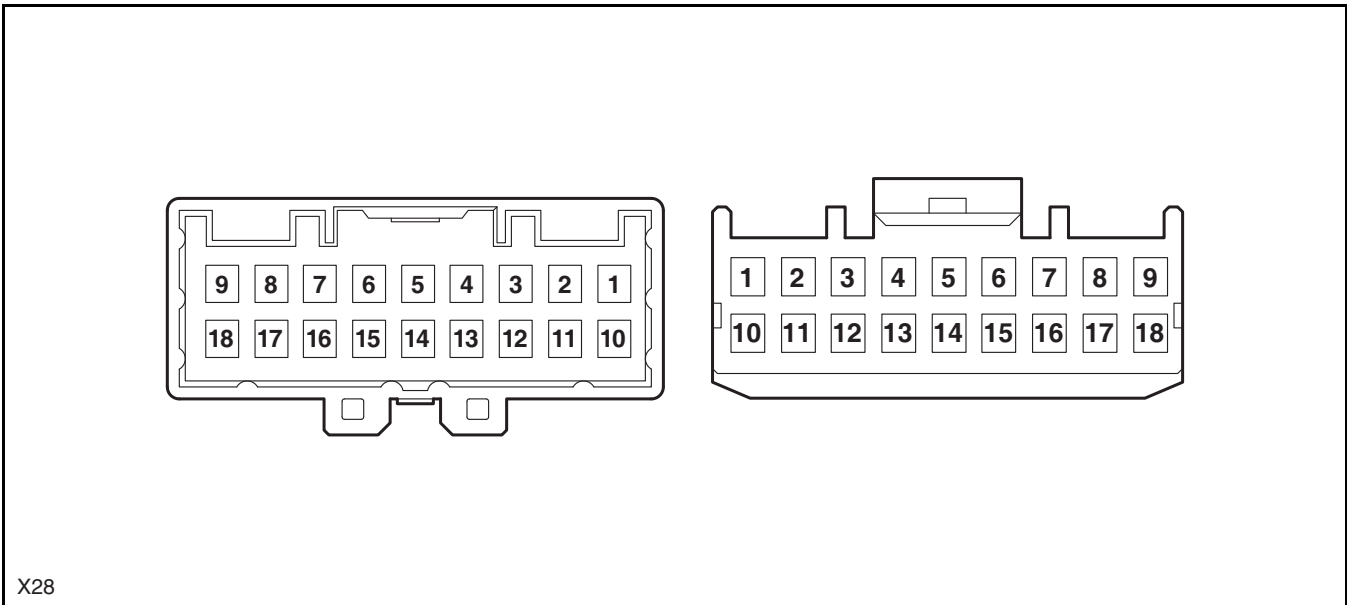
Left Front Door Wiring Harness to Chassis Wiring Harness



X27

Chassis Wiring Harness to Left Rear Door Wiring Harness

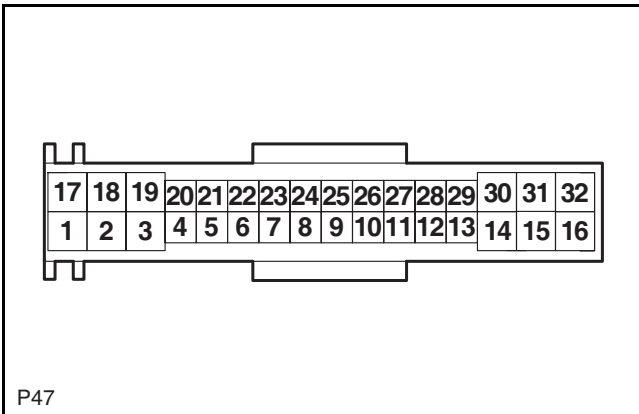
Left Rear Door Wiring Harness to Chassis Wiring Harness



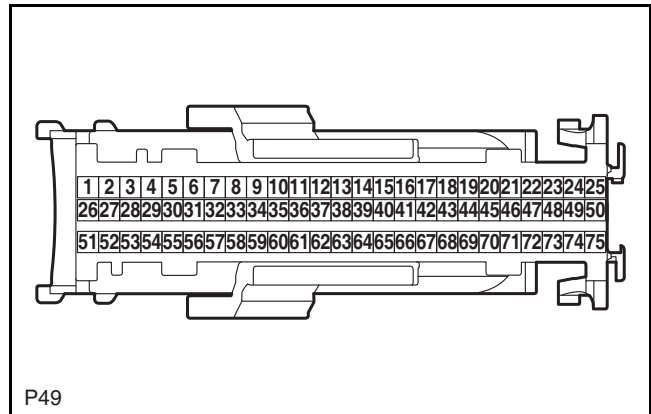
X28

IBCM-J2

IBCM-J1

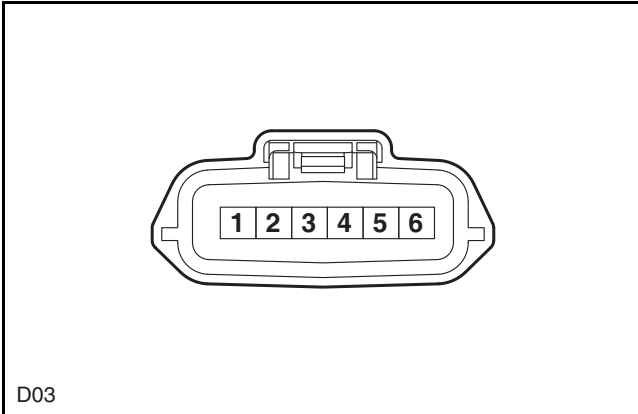


P47

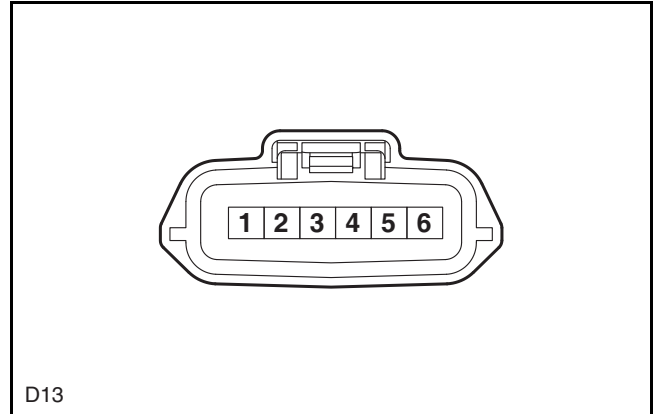


P49

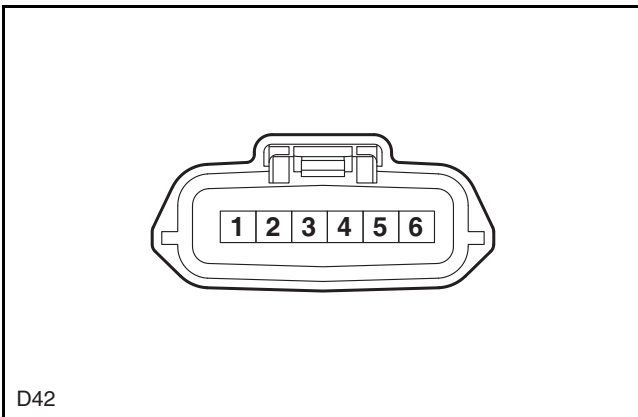
Left Front Door Lock Motor



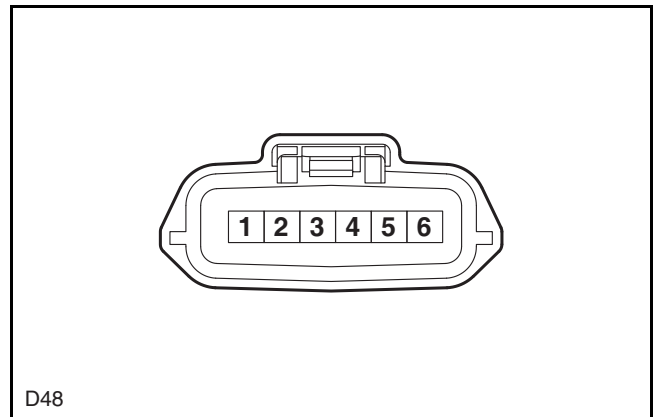
Right Front Door Lock Motor



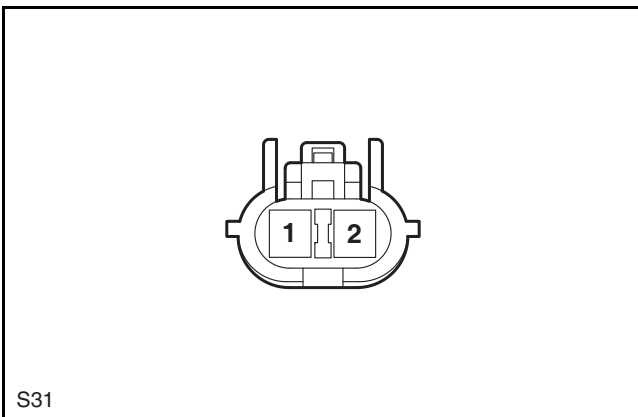
Left Rear Door Lock Motor



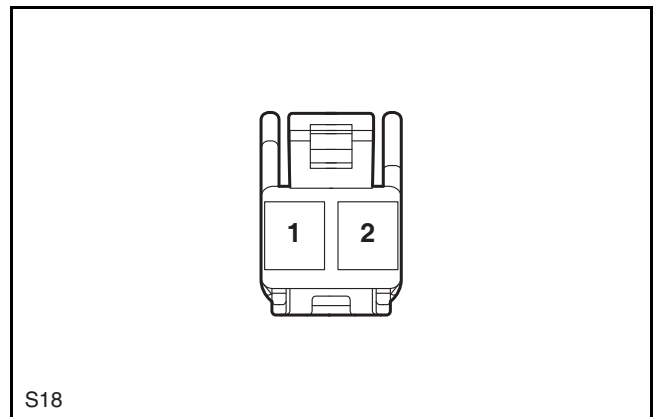
Right Rear Door Lock Motor



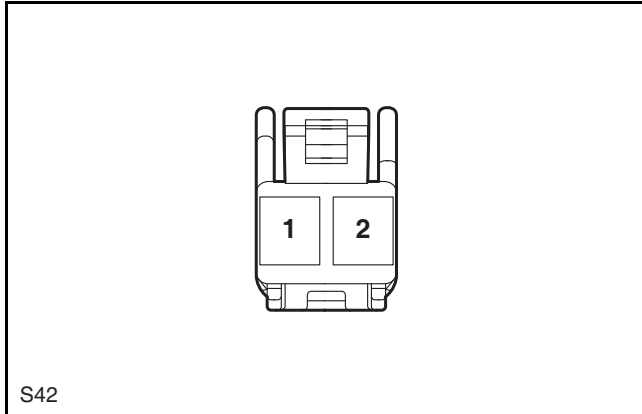
Fuel Tank Cap Motor



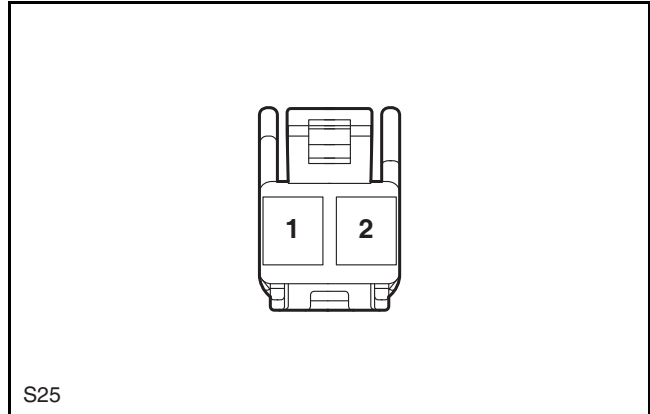
Left Front Door Contact Switch



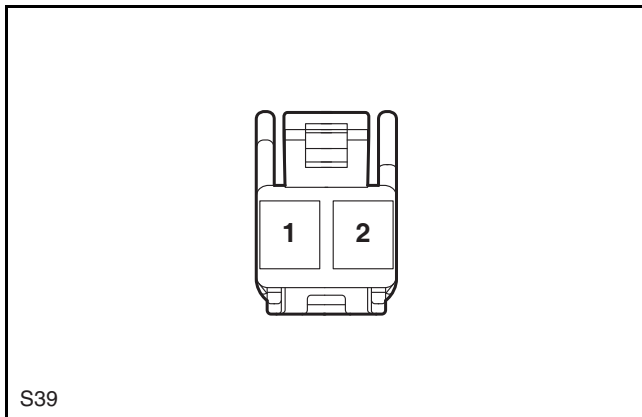
Right Front Door Contact Switch



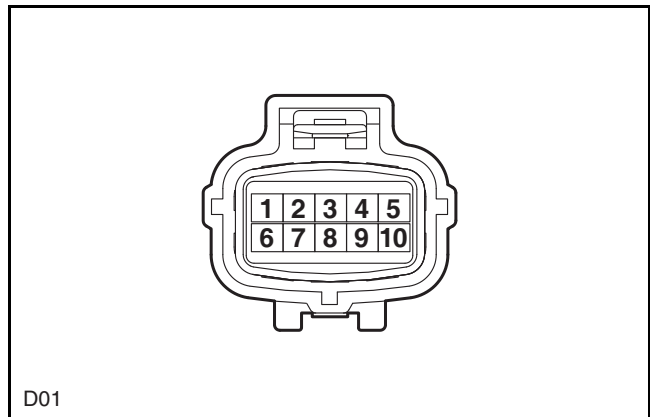
Left Rear Door Contact Switch



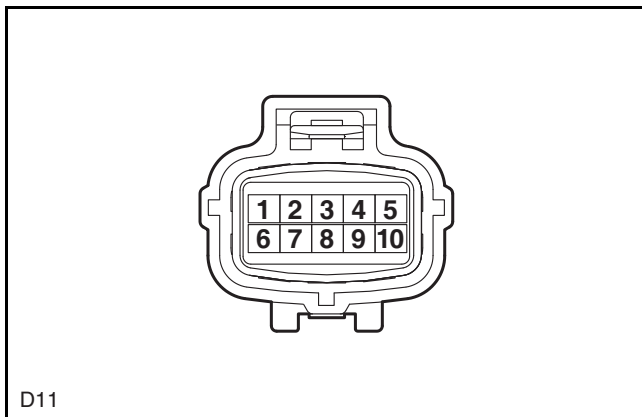
Right Rear Door Contact Switch



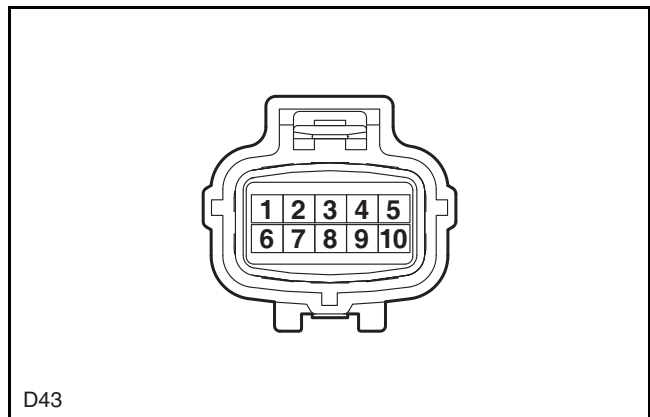
Left Front Door Concealed Handle Switch



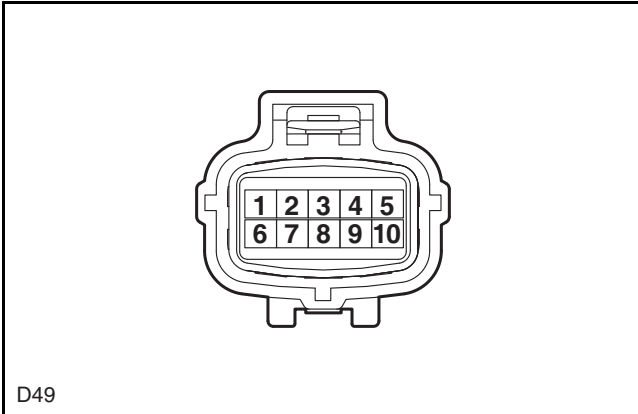
Right Front Door Concealed Handle Switch



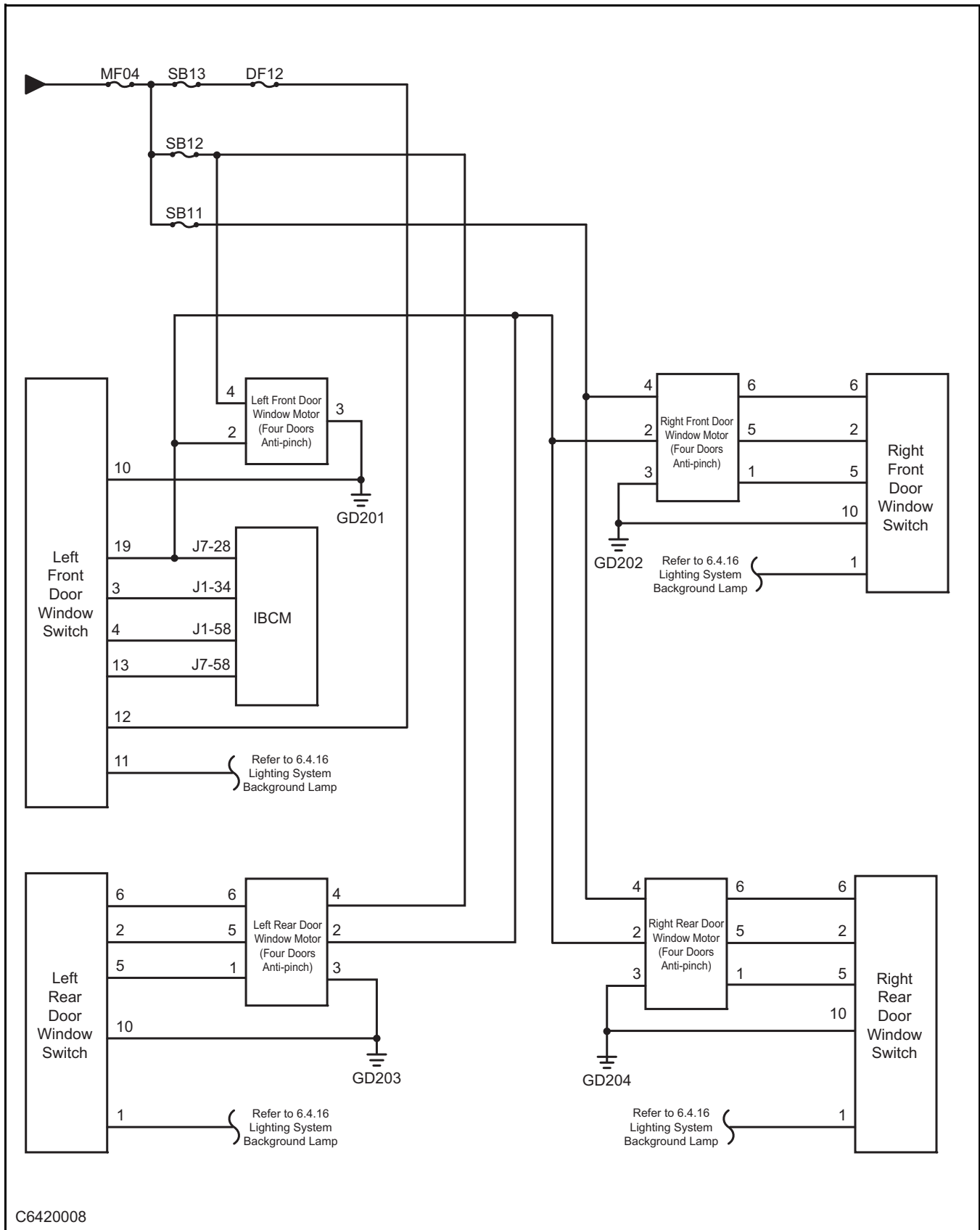
Left Rear Door Concealed Handle Switch



Right Rear Door Concealed Handle Switch

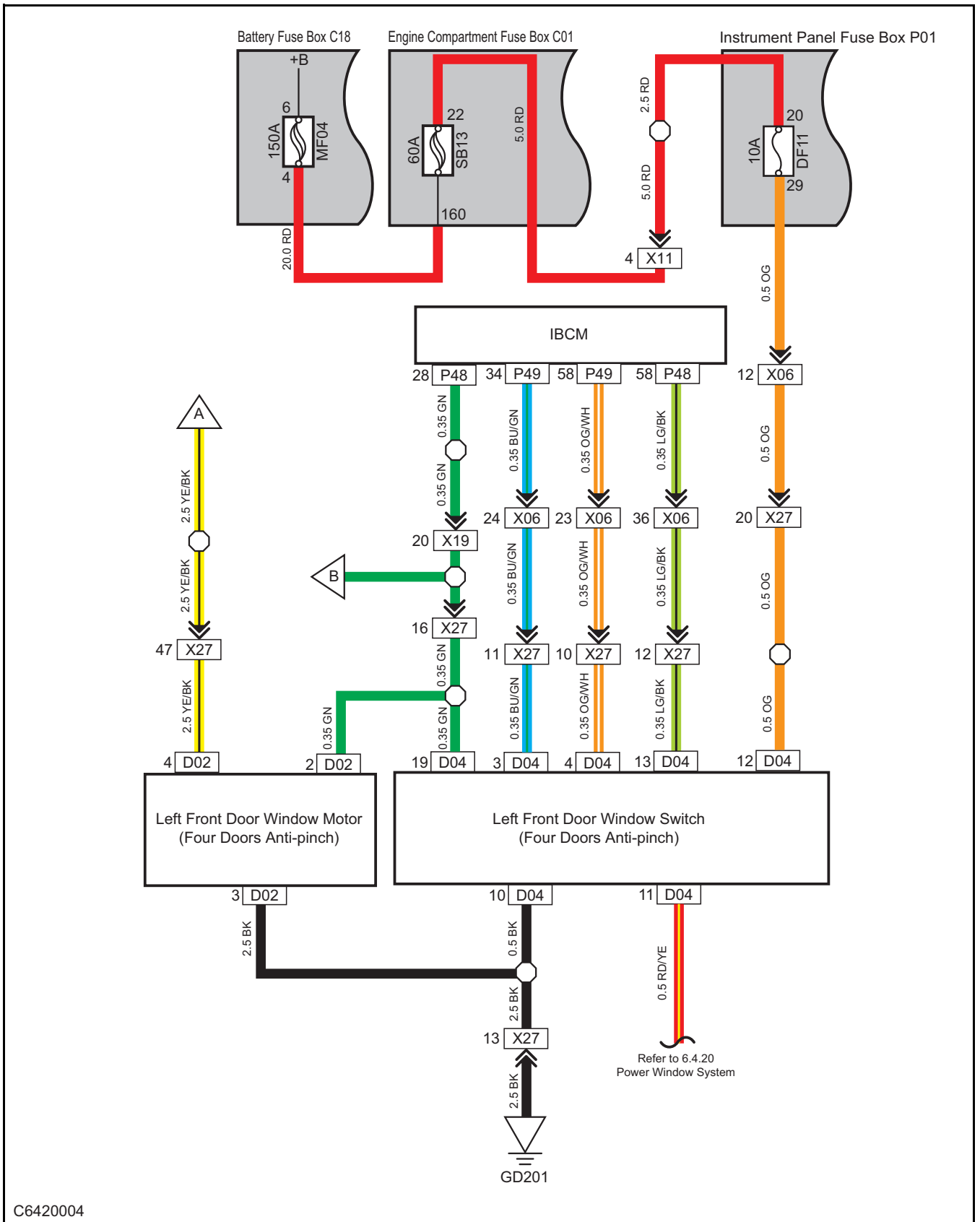


Power Window System



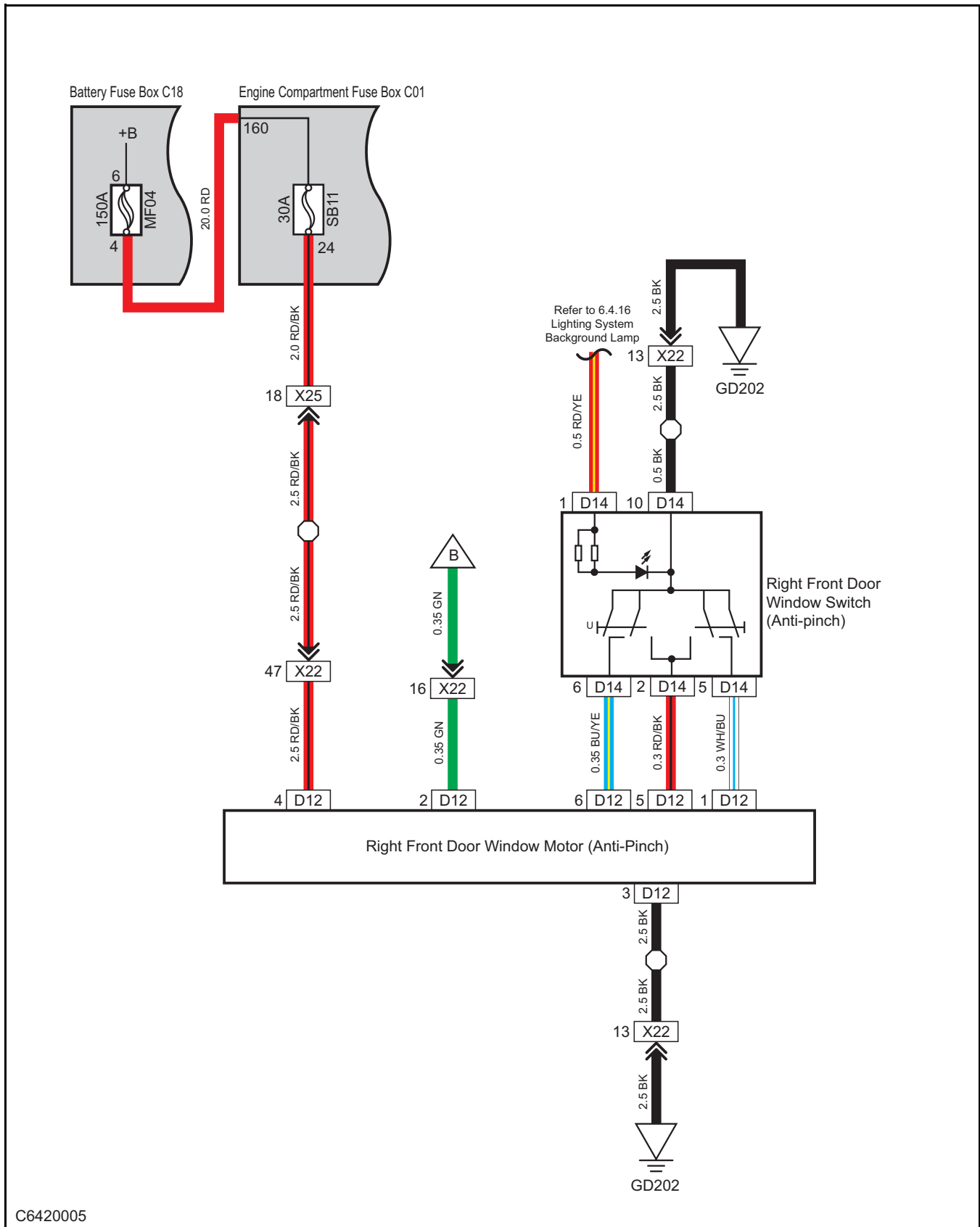
C6420008

Left Front Door Window



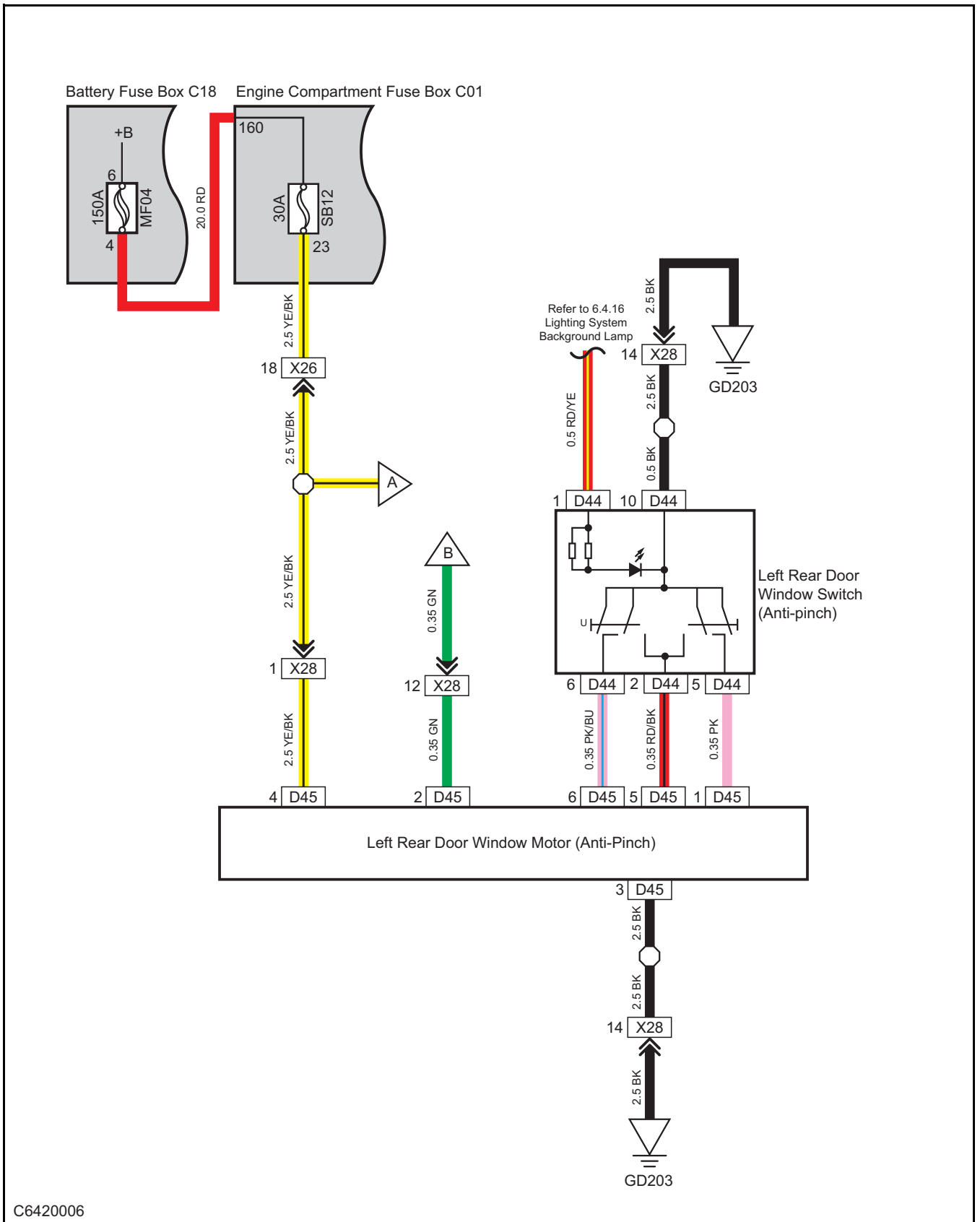
C6420004

Right Front Door Window

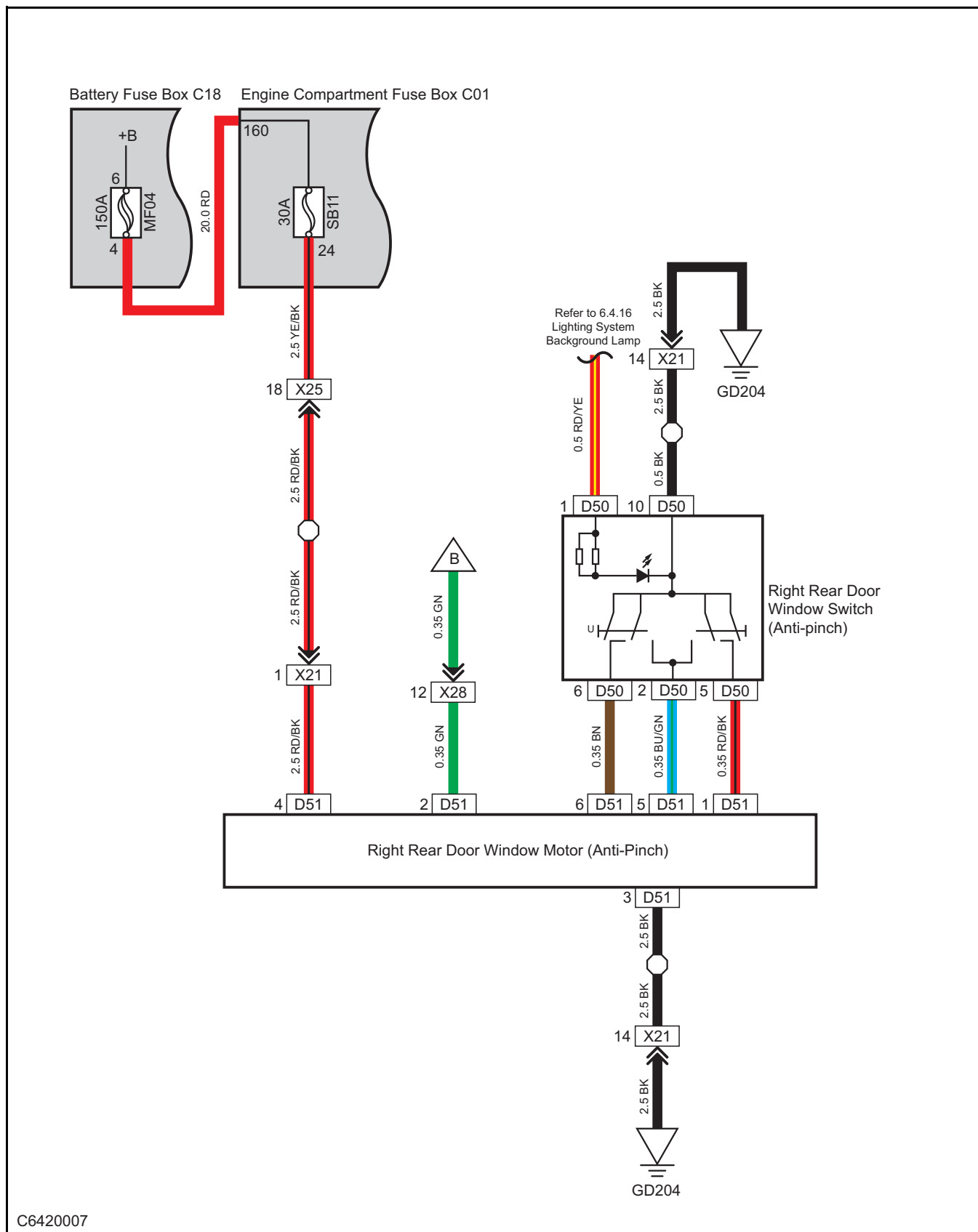


C6420005

Left Rear Door Window

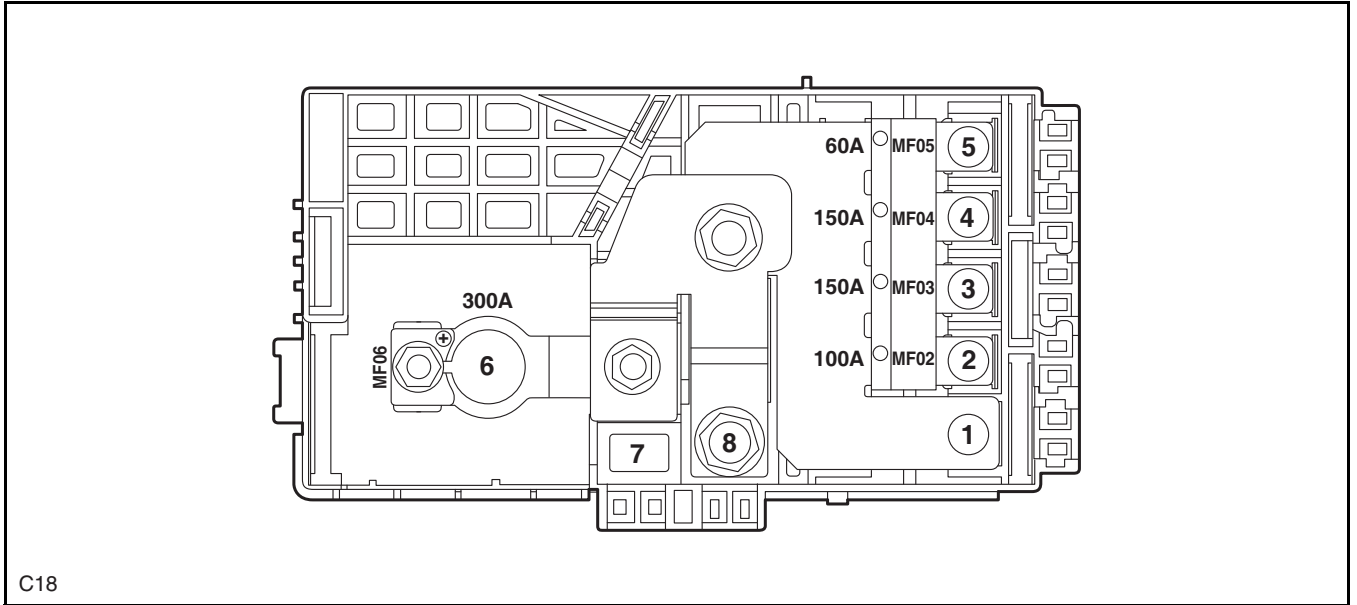


Right Rear Door Window



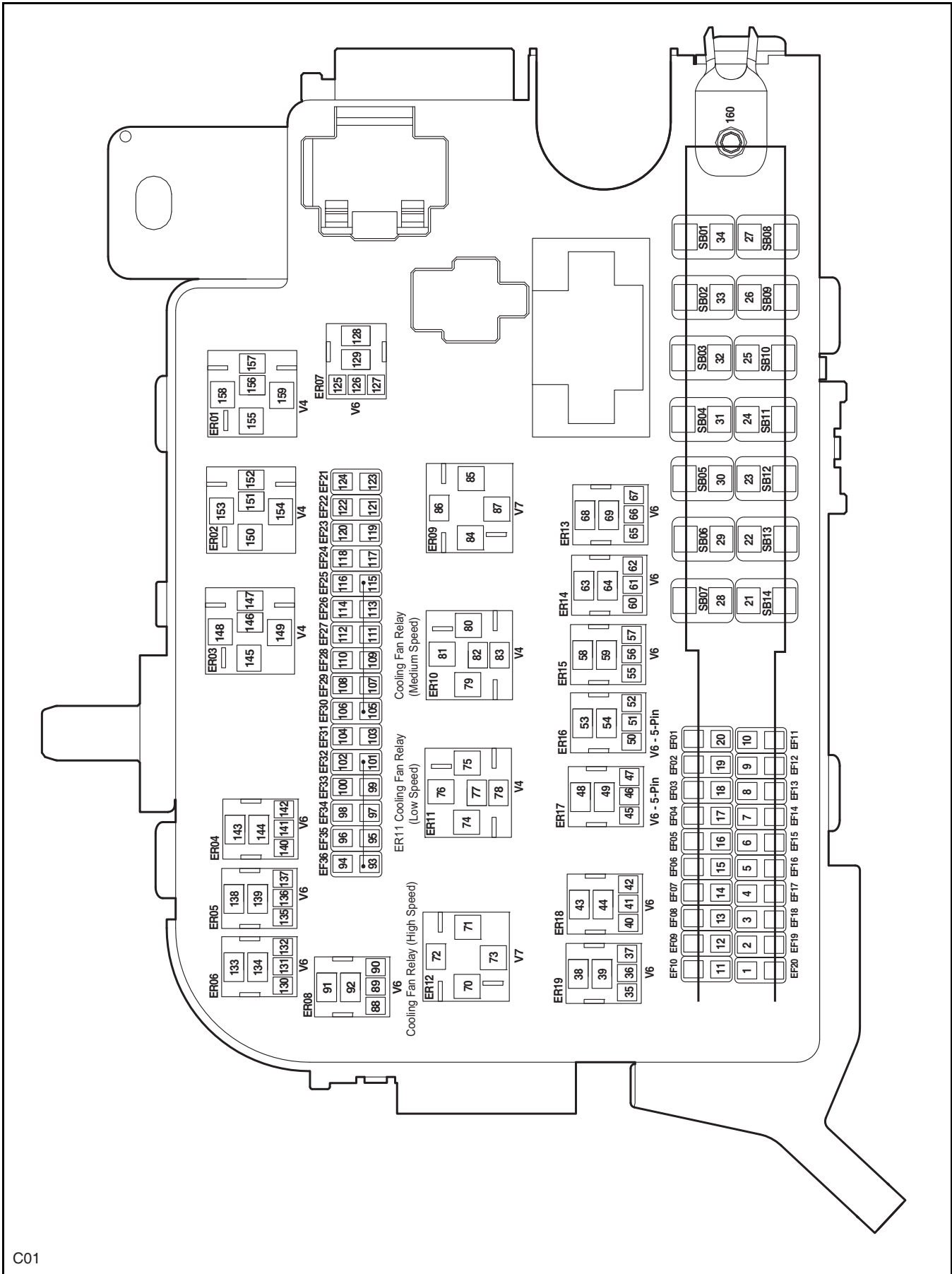
C6420007

Battery Fuse Box



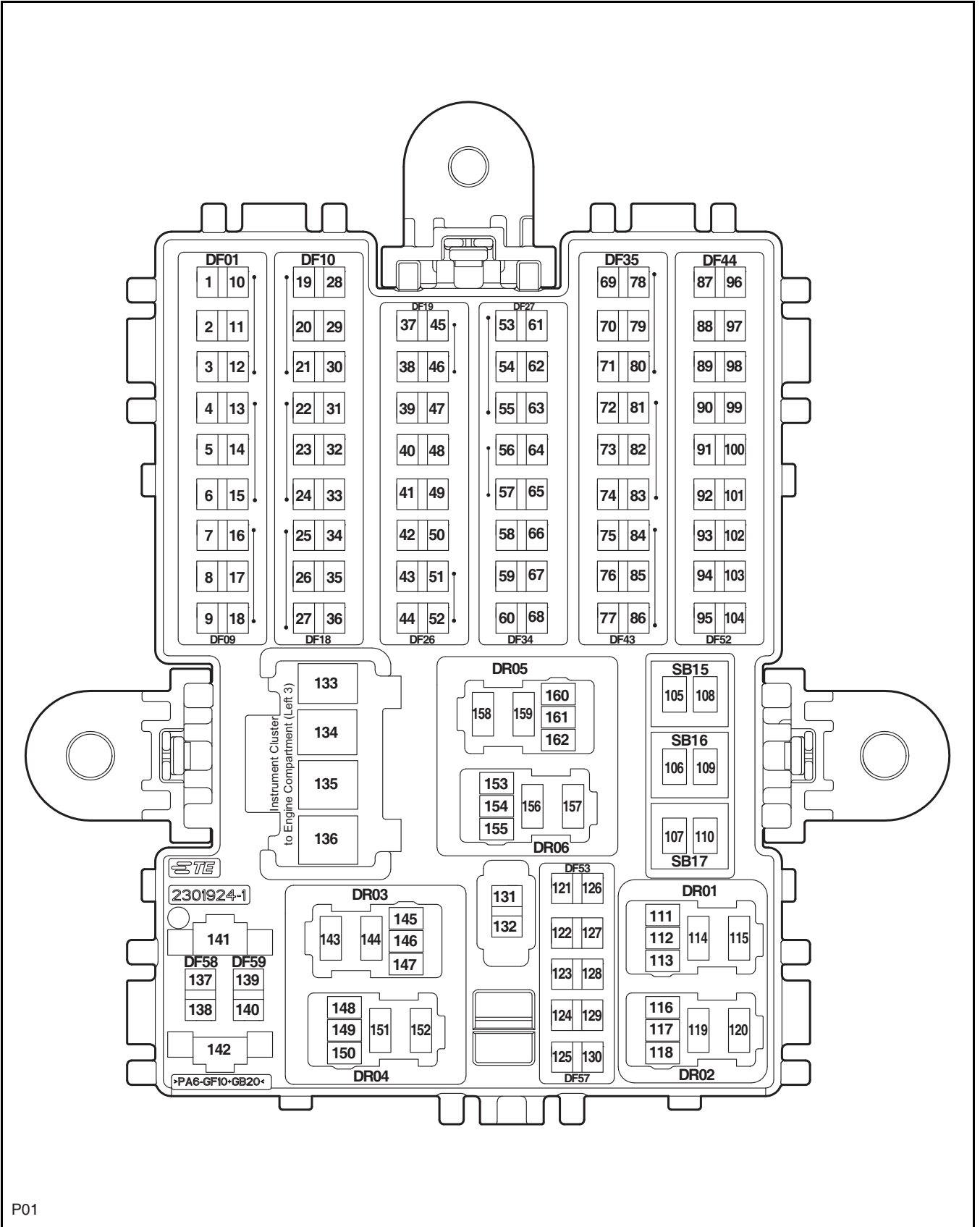
C18

Engine Compartment Fuse Box



C01

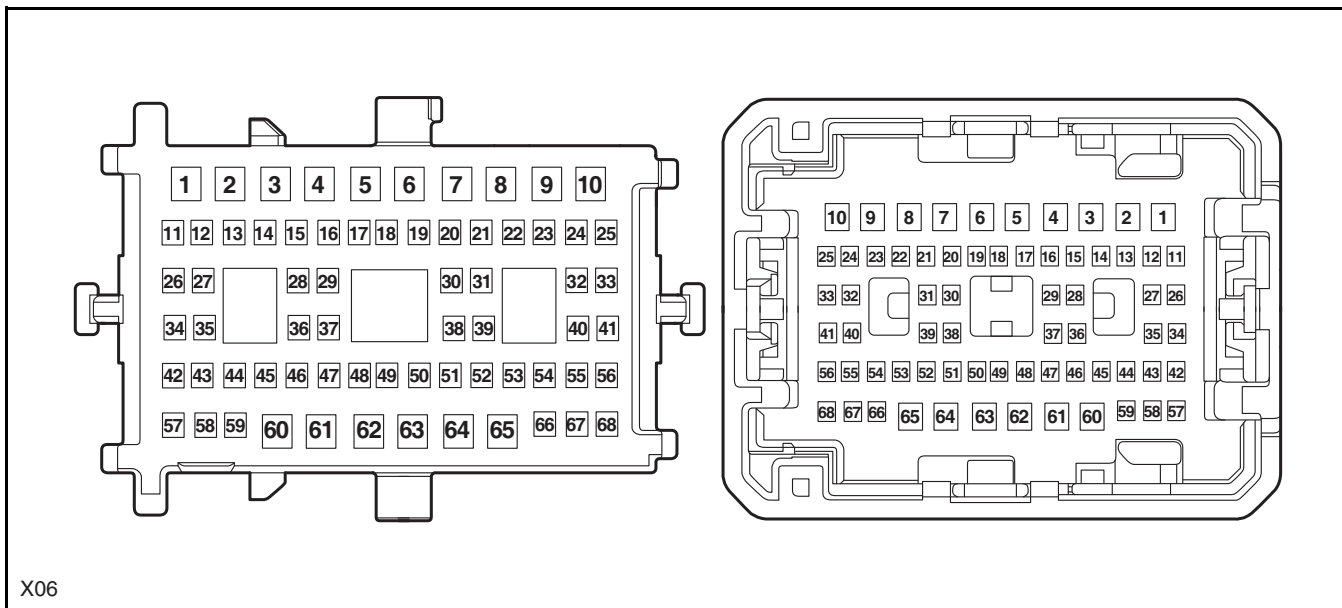
Instrument Panel Fuse Box



P01

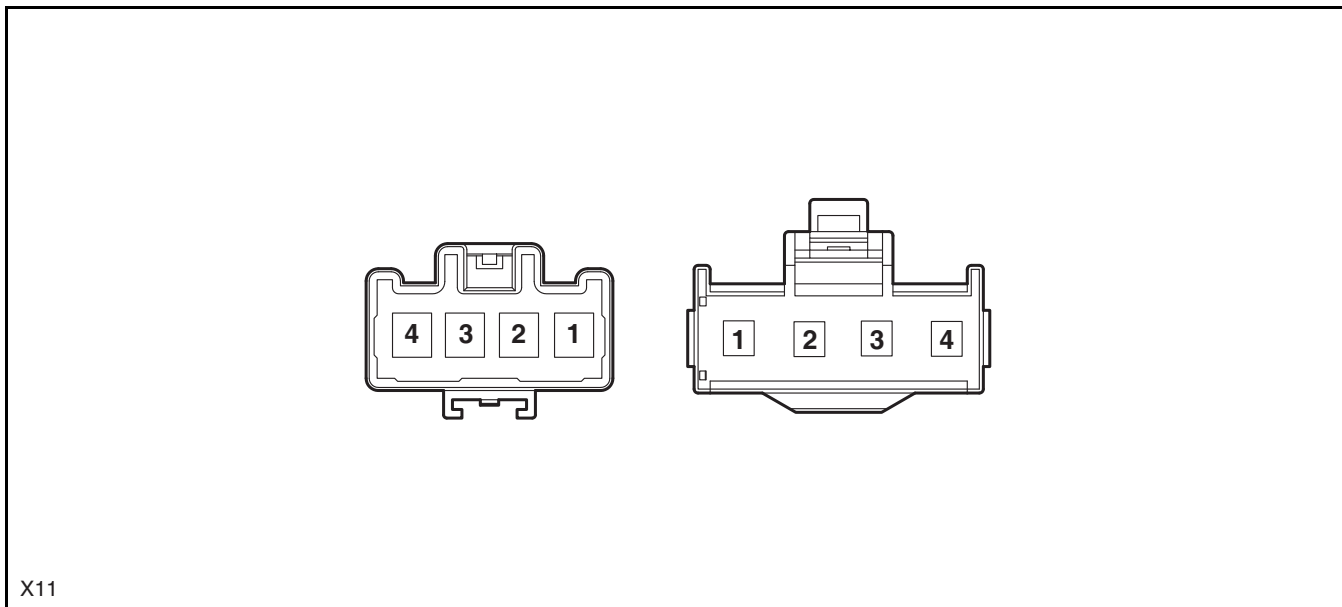
Instrument Panel Wiring Harness to Chassis Wiring Harness (Left 1)

Chassis Wiring Harness to Instrument Panel Wiring Harness (Left 1)



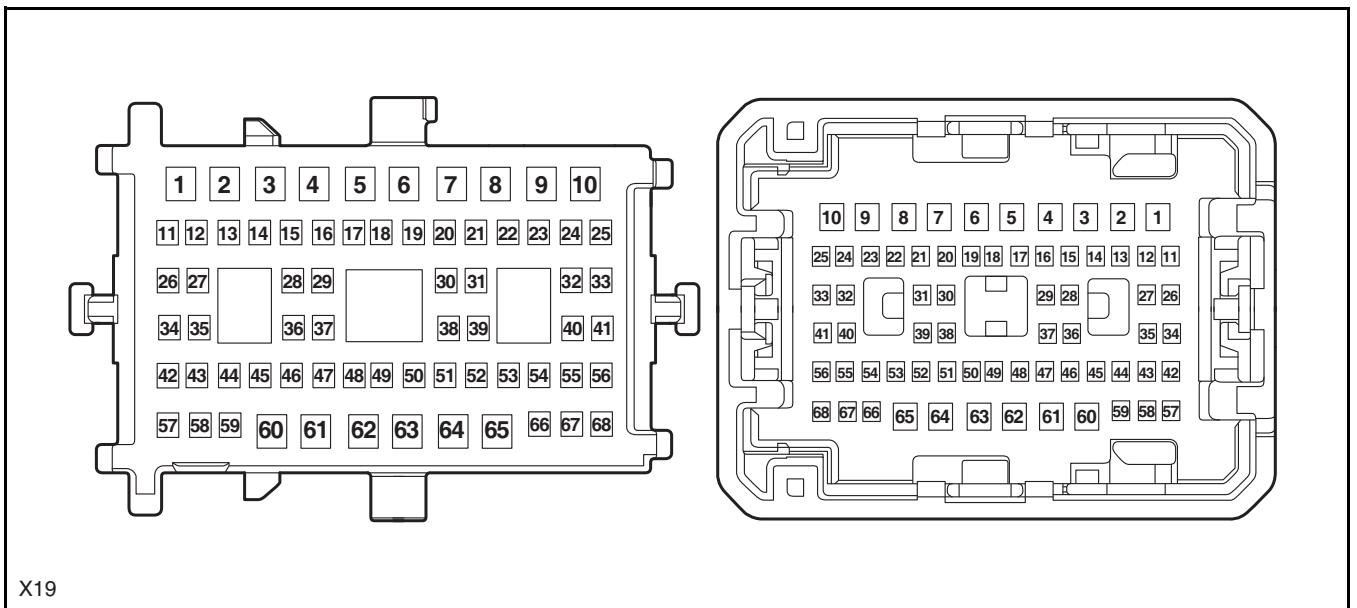
Instrument Panel Wiring Harness to Engine Compartment Wiring Harness (Left 3)

Engine Compartment Wiring Harness to Instrument Panel Wiring Harness (Left 3)



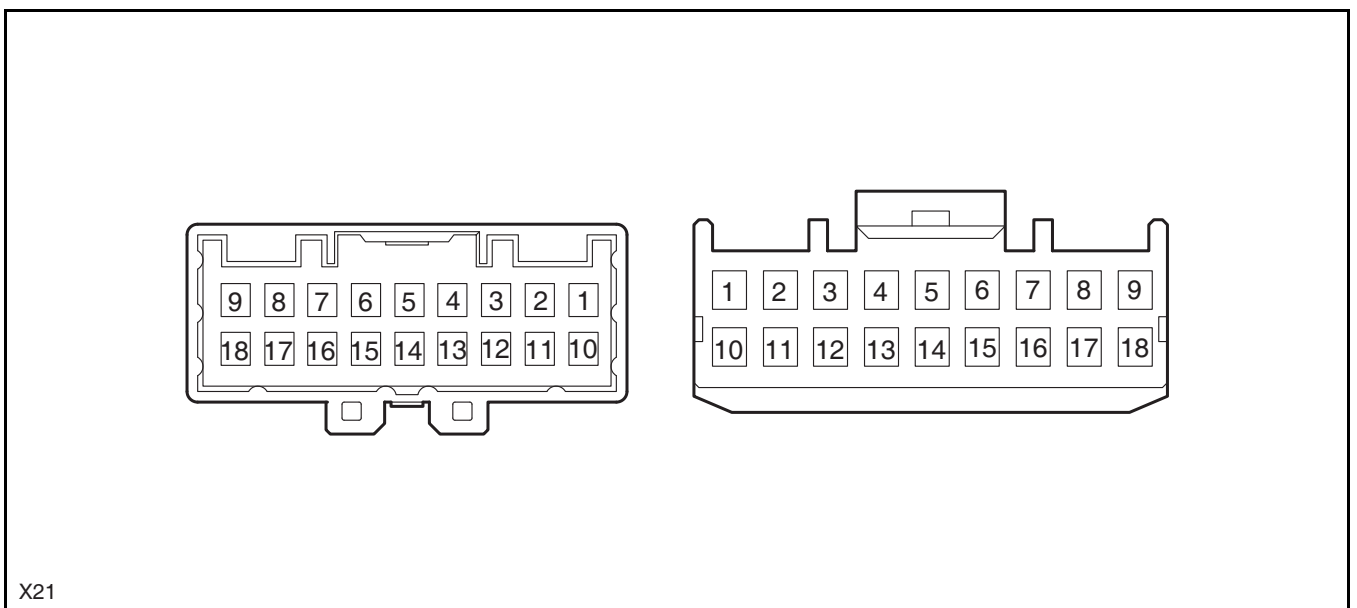
Instrument Panel Wiring Harness to Chassis Wiring Harness (Right 1)

Chassis Wiring Harness to Instrument Panel Wiring Harness (Right 1)



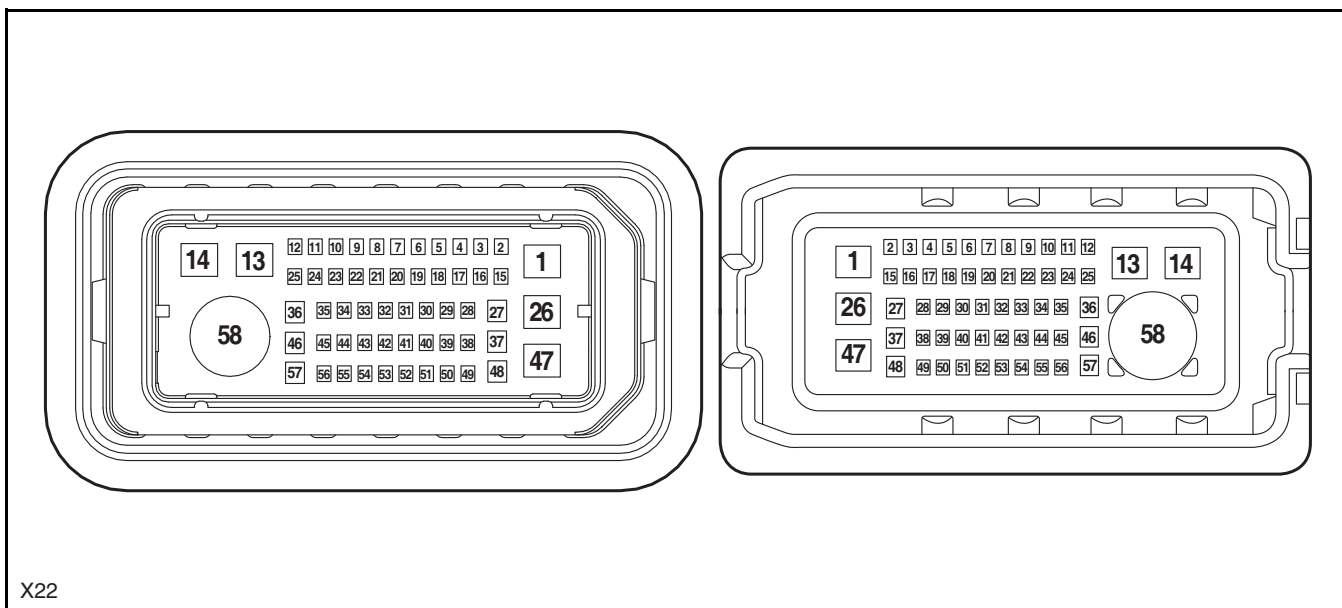
Chassis Wiring Harness to Right Rear Door Wiring Harness

Right Rear Door Wiring Harness to Chassis Wiring Harness



Chassis Wiring Harness to Right Front Door Wiring Harness

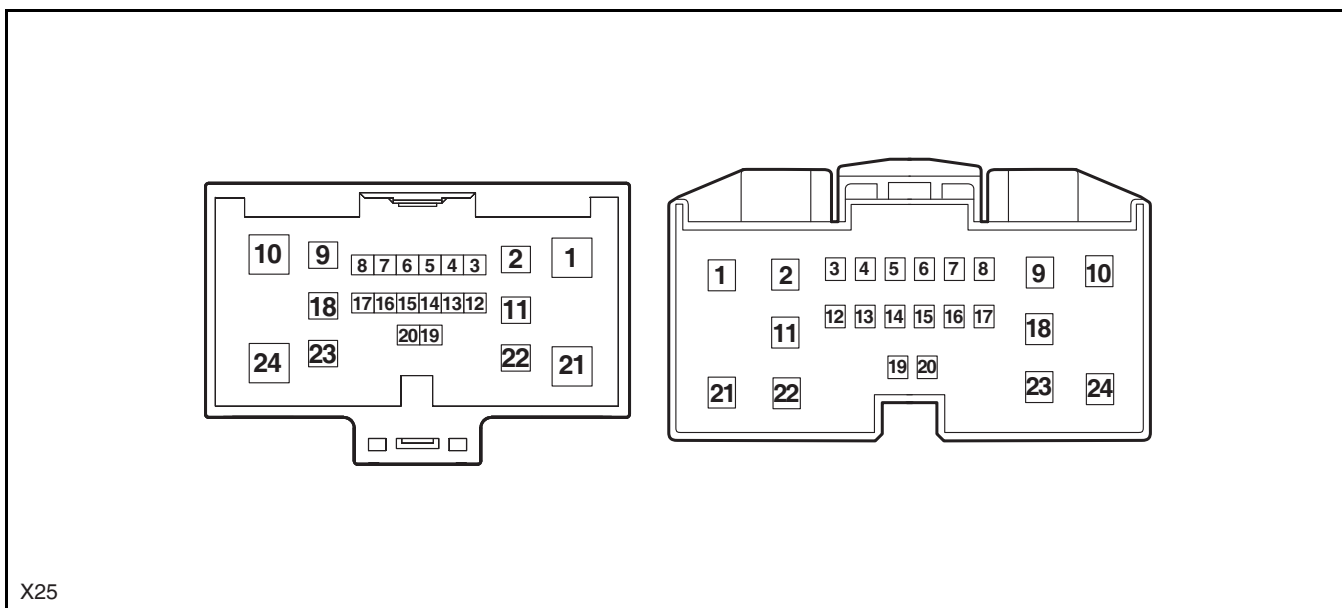
Right Front Door Wiring Harness to Chassis Wiring Harness



X22

Chassis Wiring Harness to Engine Compartment Wiring Harness (Right 1)

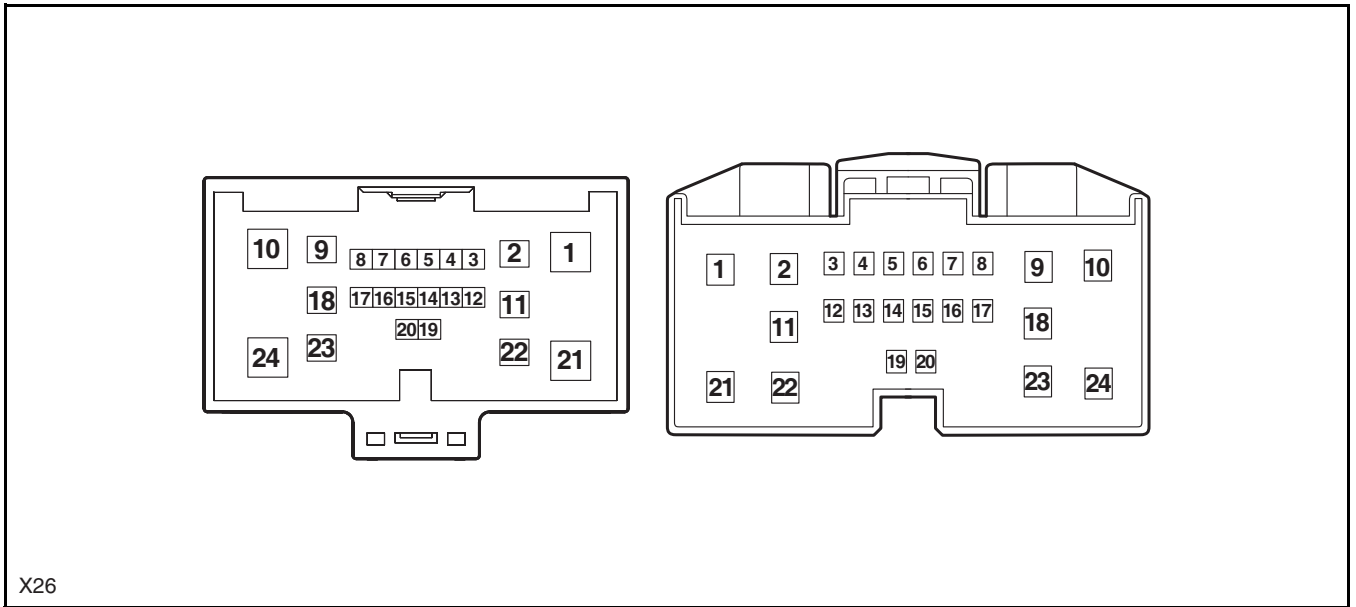
Engine Compartment Wiring Harness to Chassis Wiring Harness (Right 1)



X25

Chassis Wiring Harness to Engine Compartment Wiring Harness (Left 1)

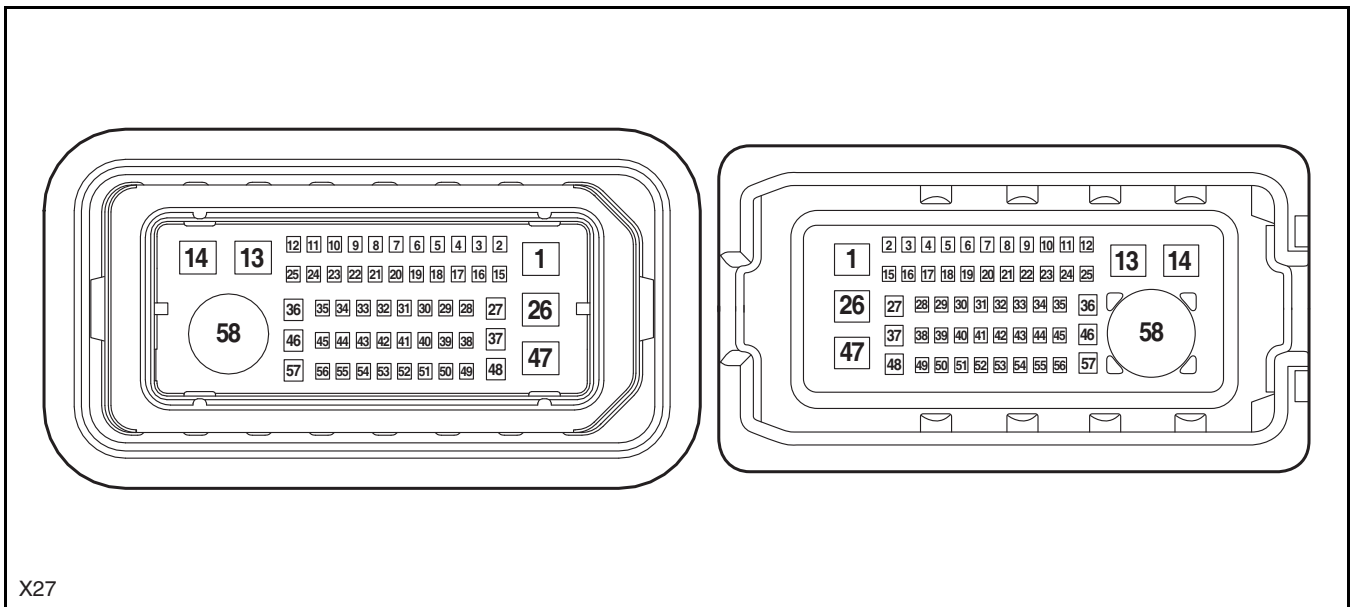
Engine Compartment Wiring Harness to Chassis Wiring Harness (Left 1)



X26

Chassis Wiring Harness to Left Front Door Wiring Harness

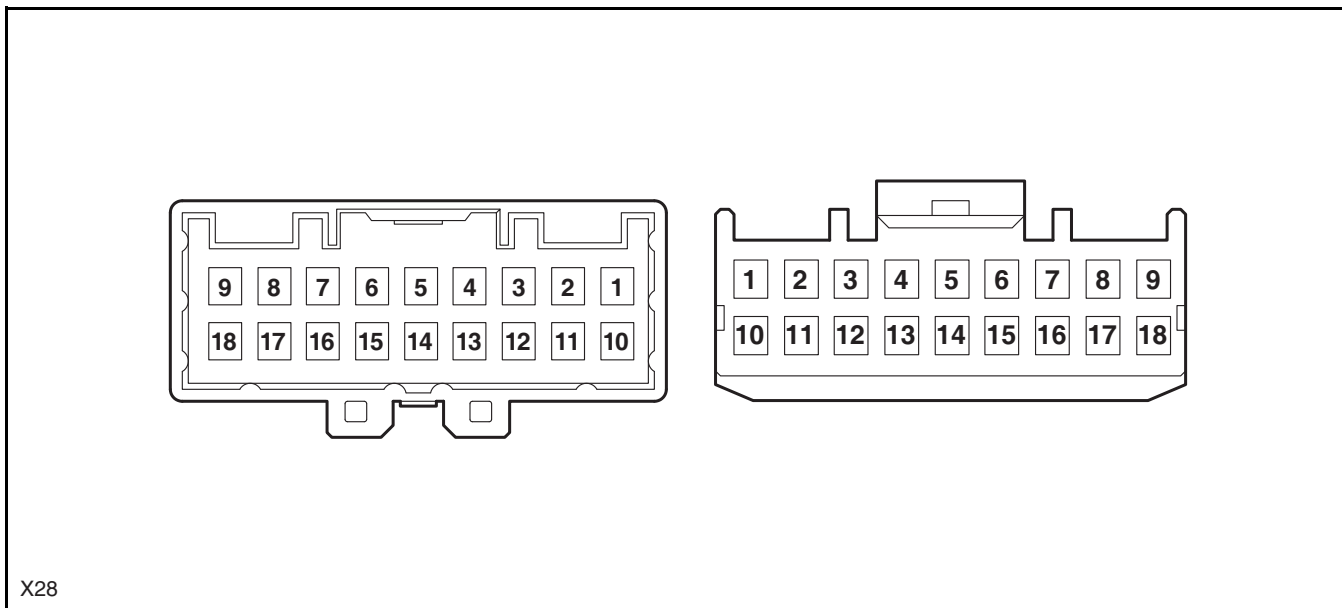
Left Front Door Wiring Harness to Chassis Wiring Harness



X27

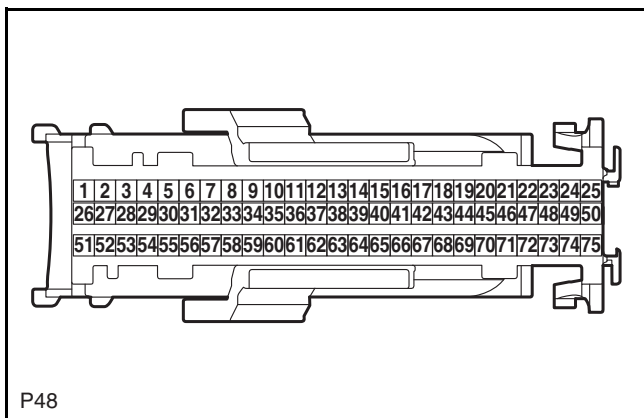
Chassis Wiring Harness to Left Rear Door Wiring Harness

Left Rear Door Wiring Harness to Chassis Wiring Harness

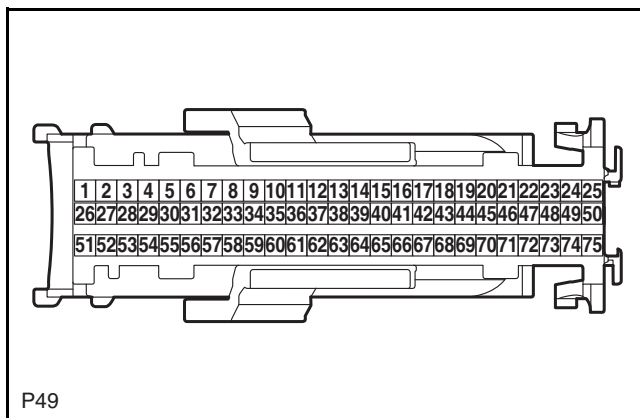


IBCM-J7

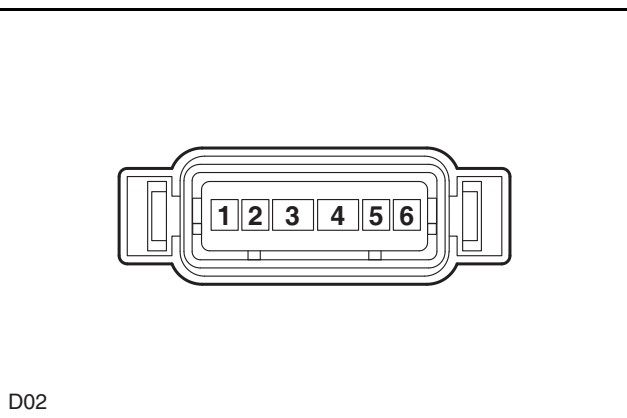
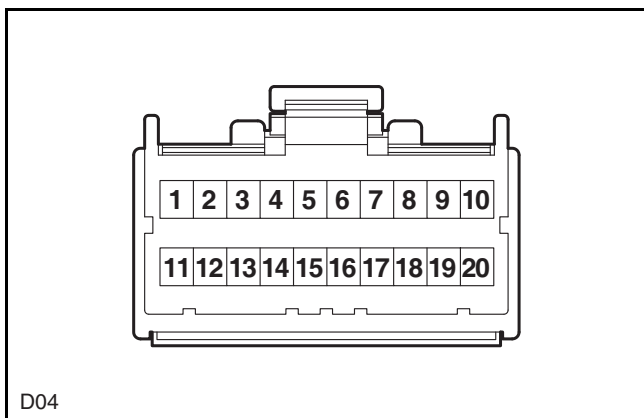
IBCM-J1



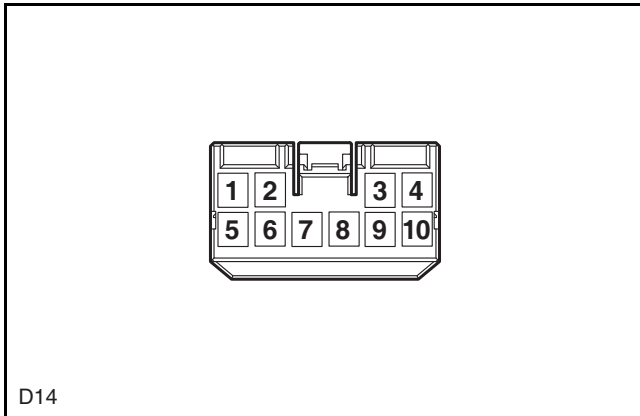
Left Front Door Window Switch
(Four Doors Anti-pinch)



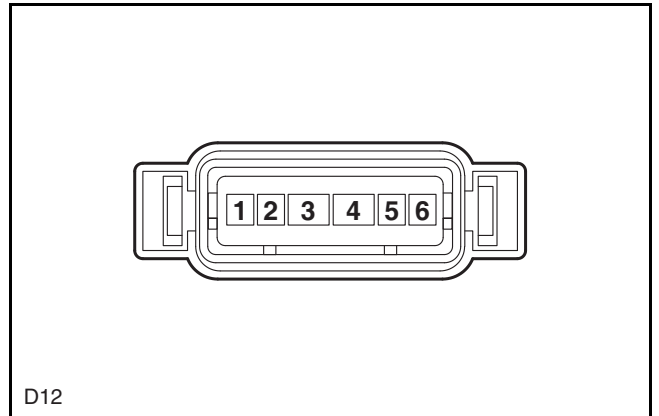
Left Front Door Window Motor
(Four Doors Anti-pinch)



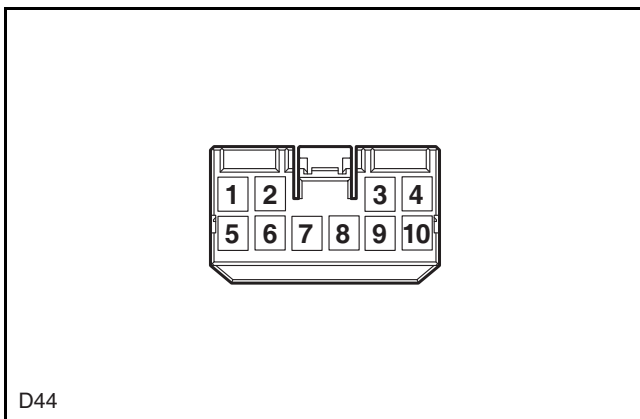
Right Front Door Window Switch (Anti-pinch)



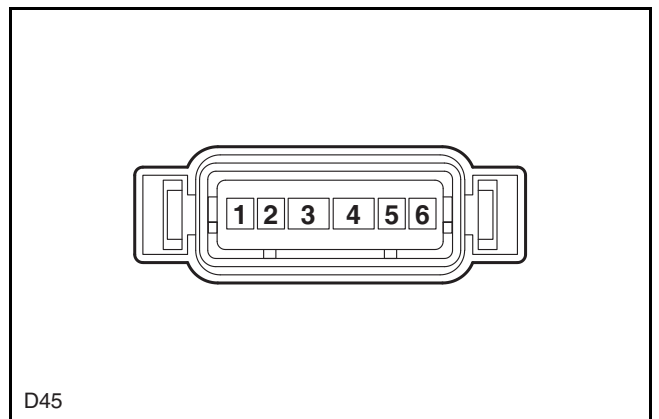
Right Front Door Window Motor (Anti-pinch)



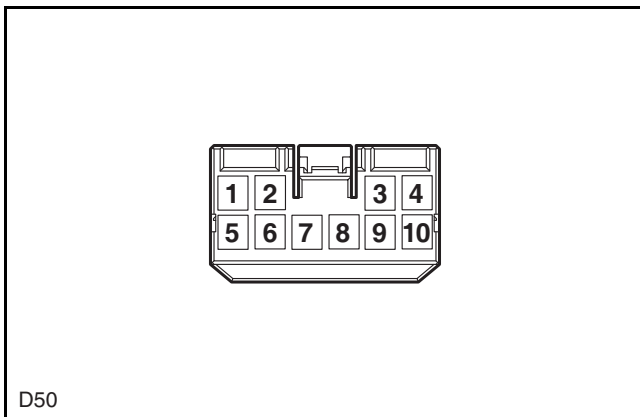
Left Rear Door Window Switch (Anti-pinch)



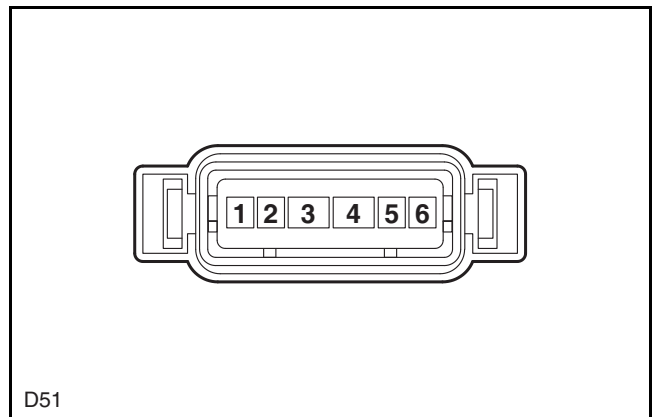
Left Rear Door Window Motor (Anti-pinch)



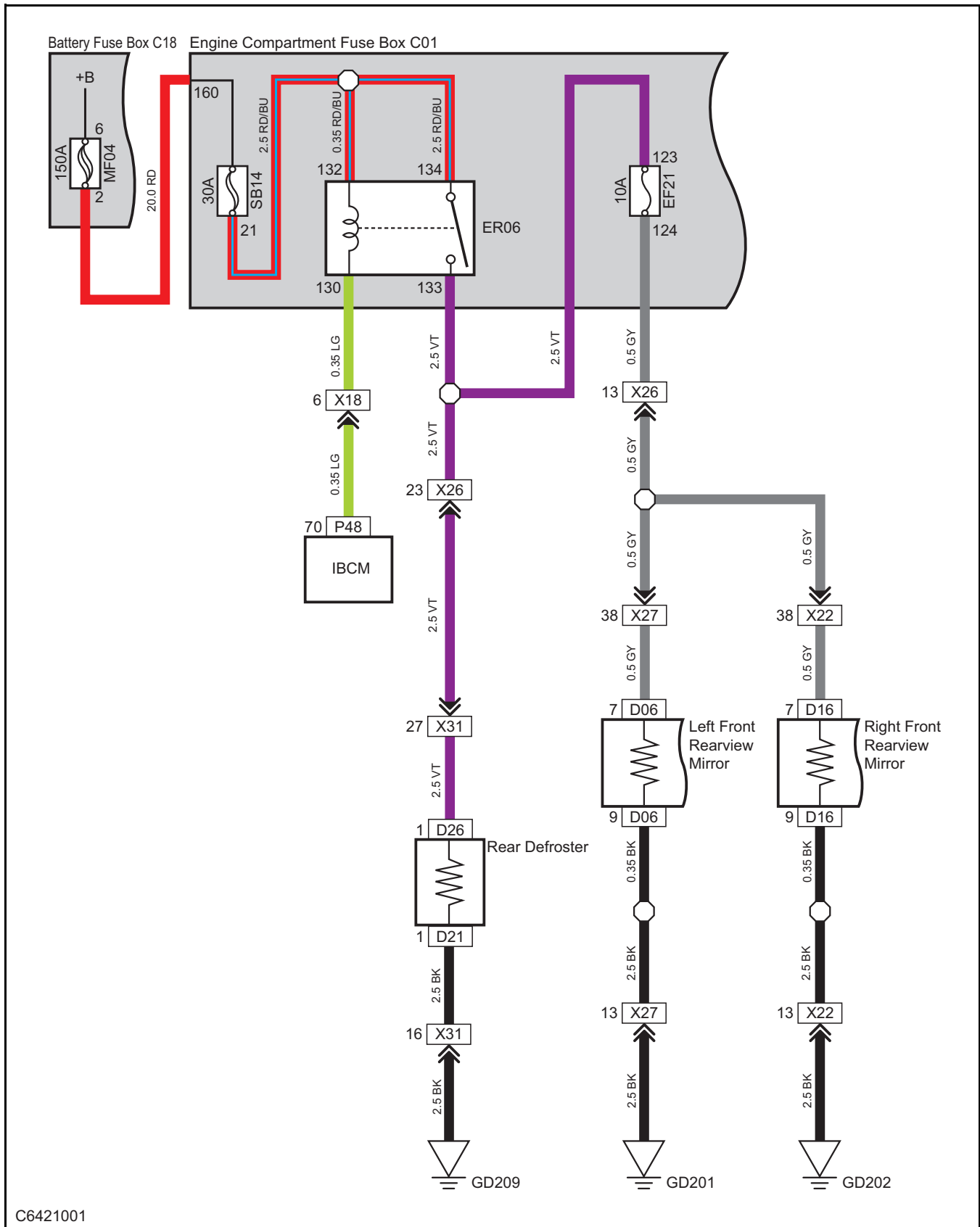
Right Rear Door Window Switch (Anti-pinch)



Right Rear Door Window Motor (Anti-pinch)

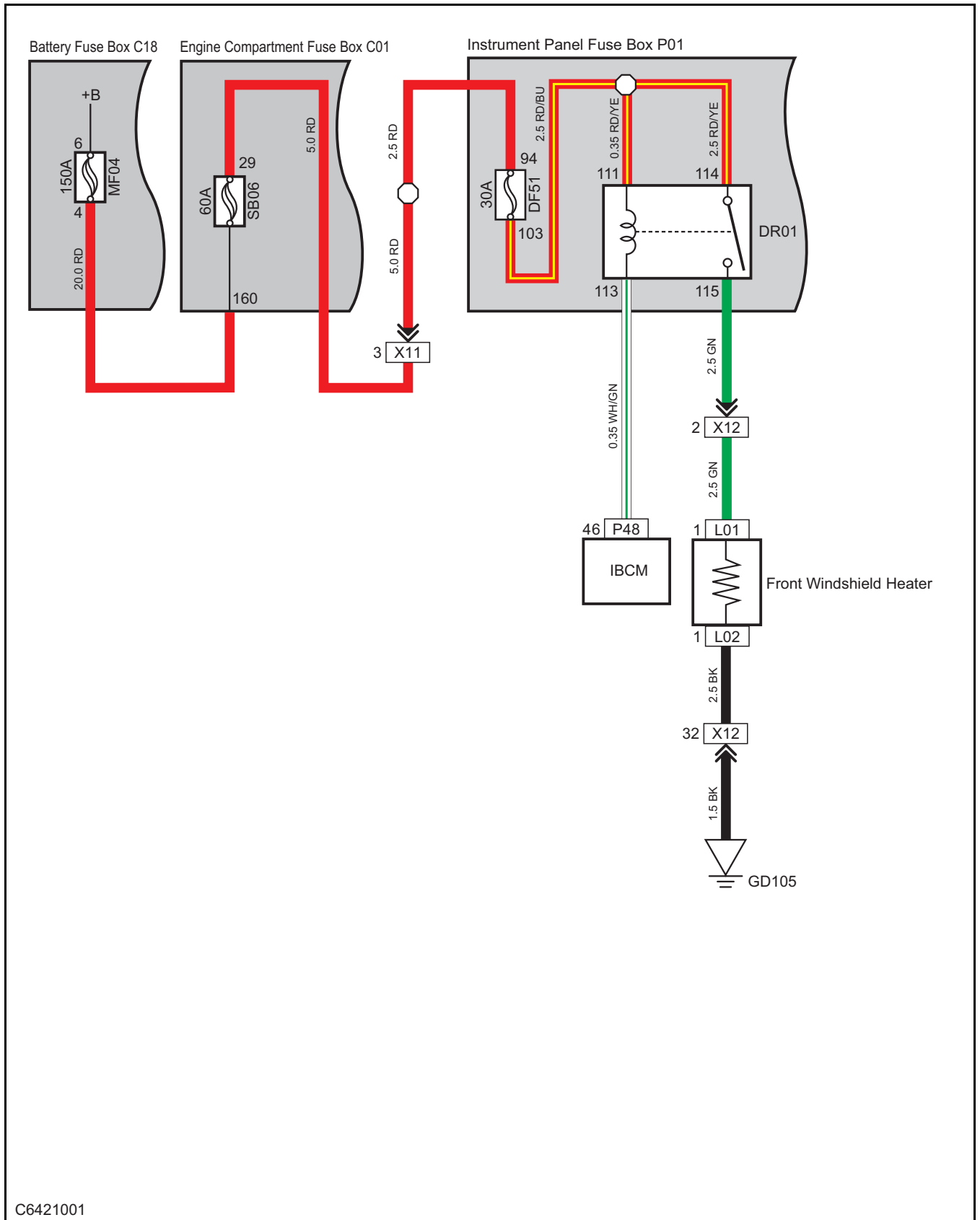


Rearview Mirror Heater, Rear Defroster



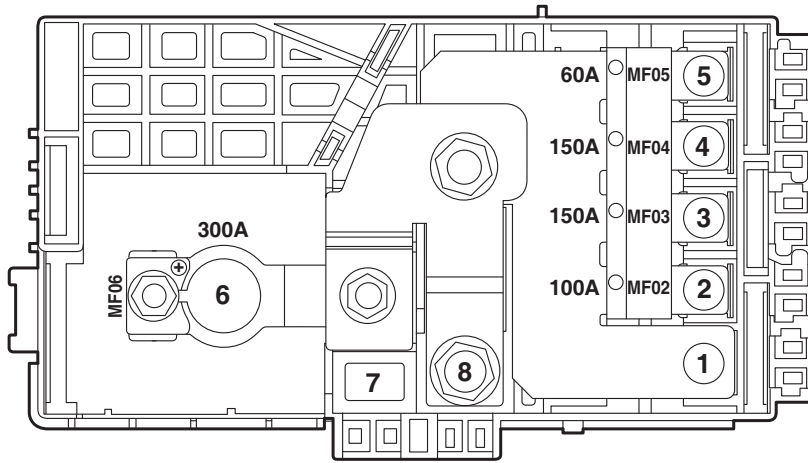
C6421001

Front Windshield Heater



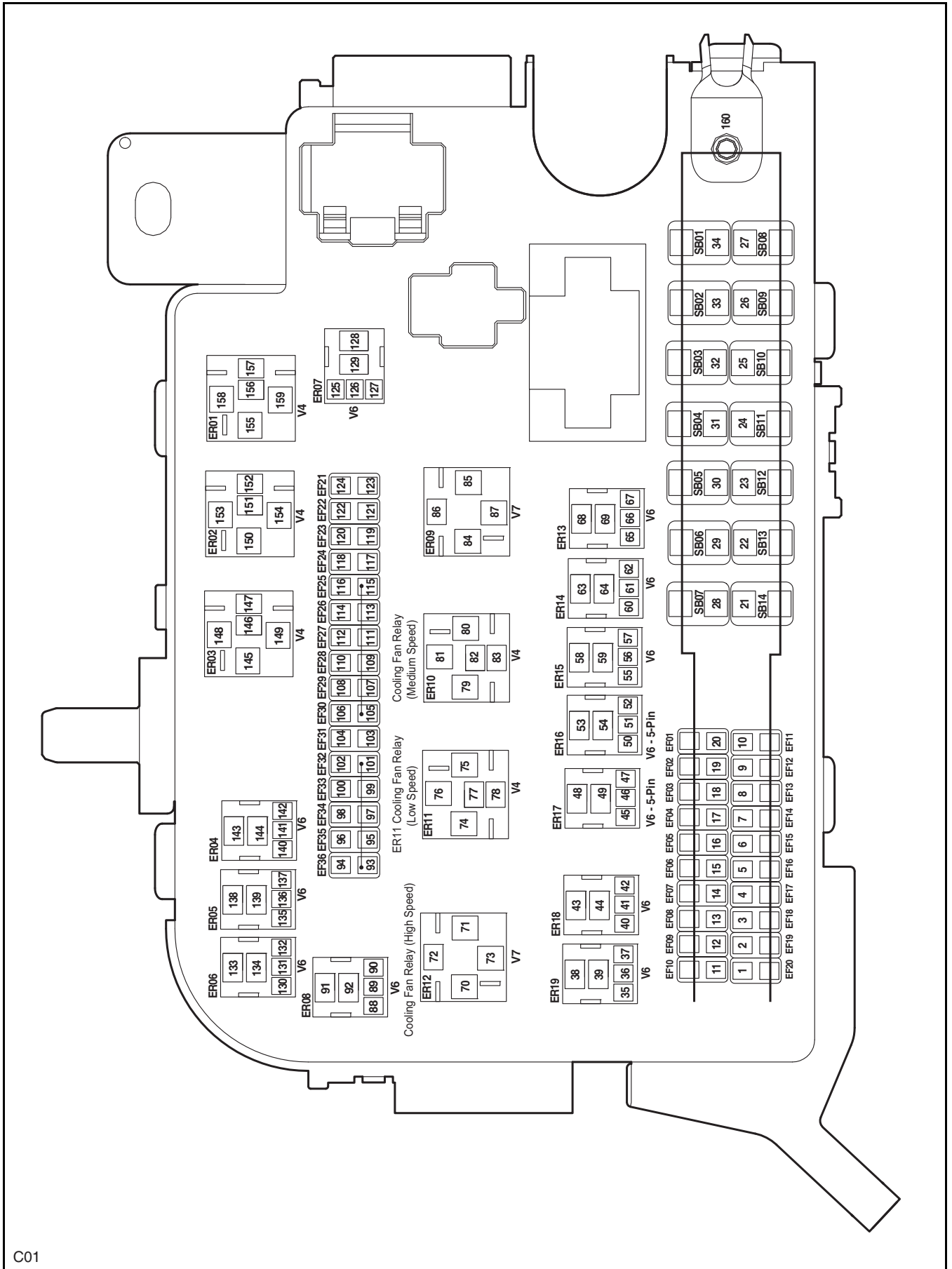
C6421001

Battery Fuse Box



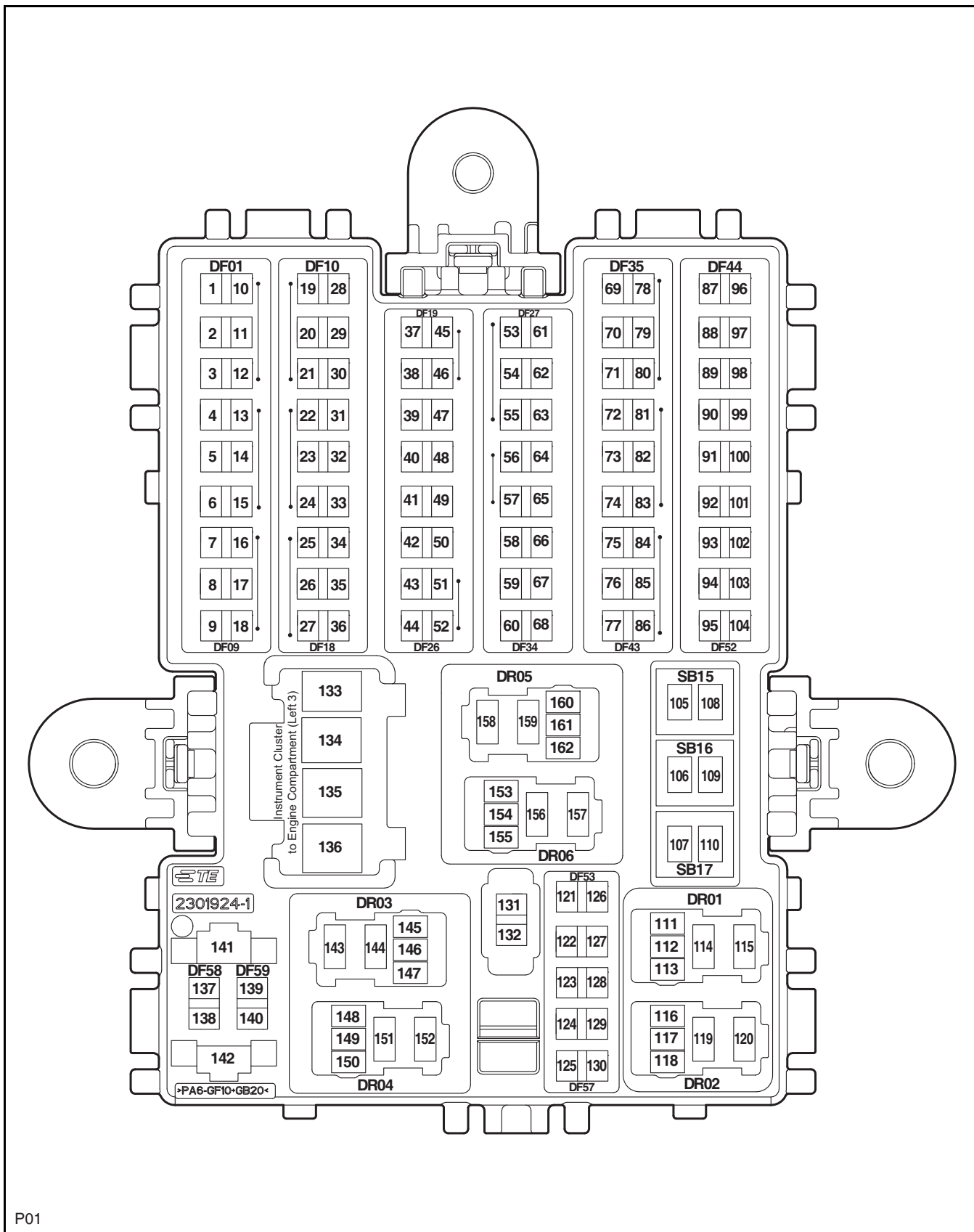
C18

Engine Compartment Fuse Box



C01

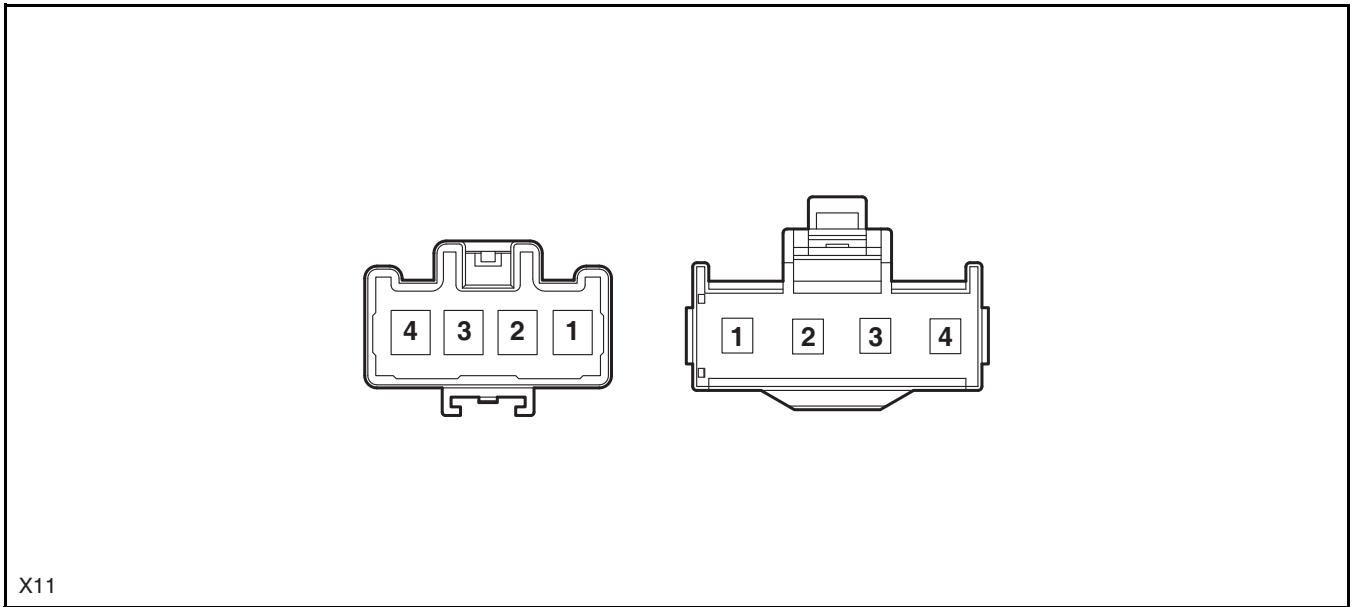
Instrument Panel Fuse Box



P01

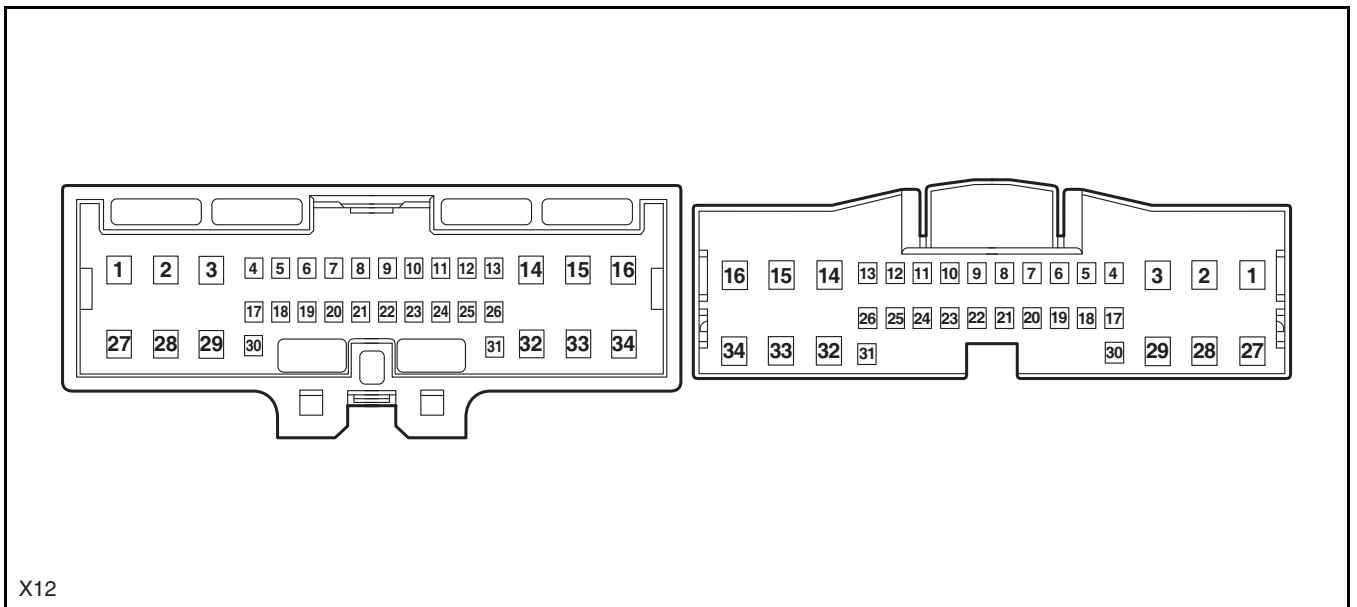
Instrument Panel Wiring Harness to Engine
Compartment Wiring Harness (Left 3)

Engine Compartment Wiring Harness to Instrument
Panel Wiring Harness (Left 3)



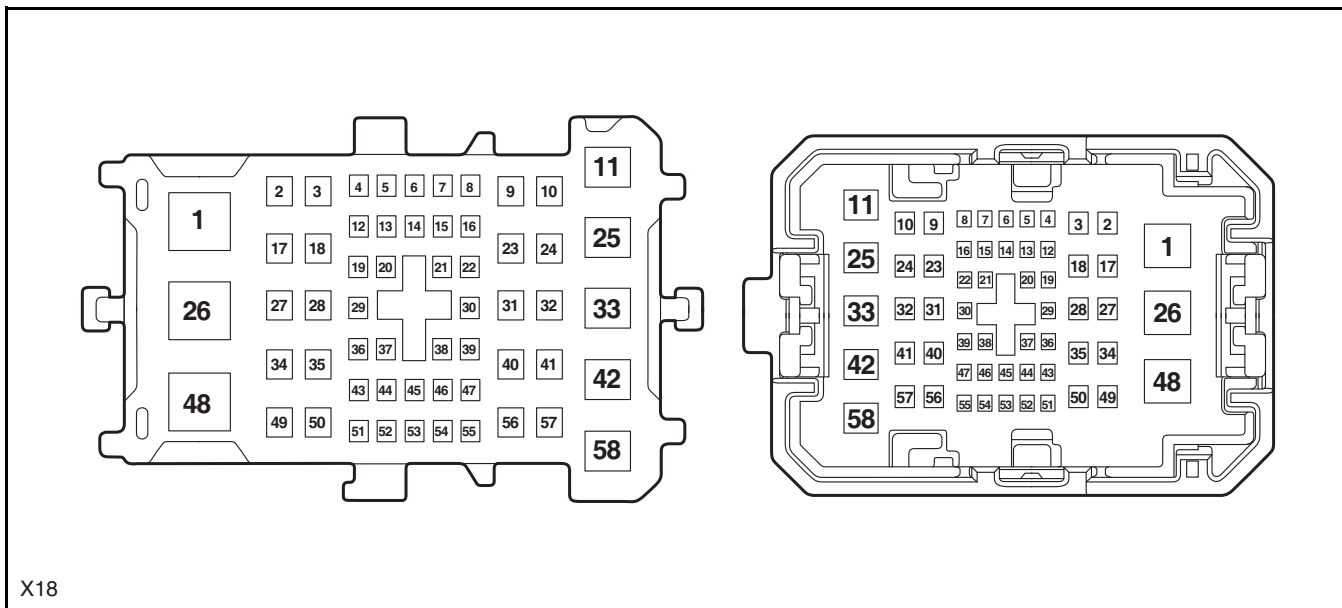
Instrument Panel Wiring Harness to Roof Wiring
Harness (Left 1)

Roof Wiring Harness to Instrument Panel Wiring
Harness (Left 1)



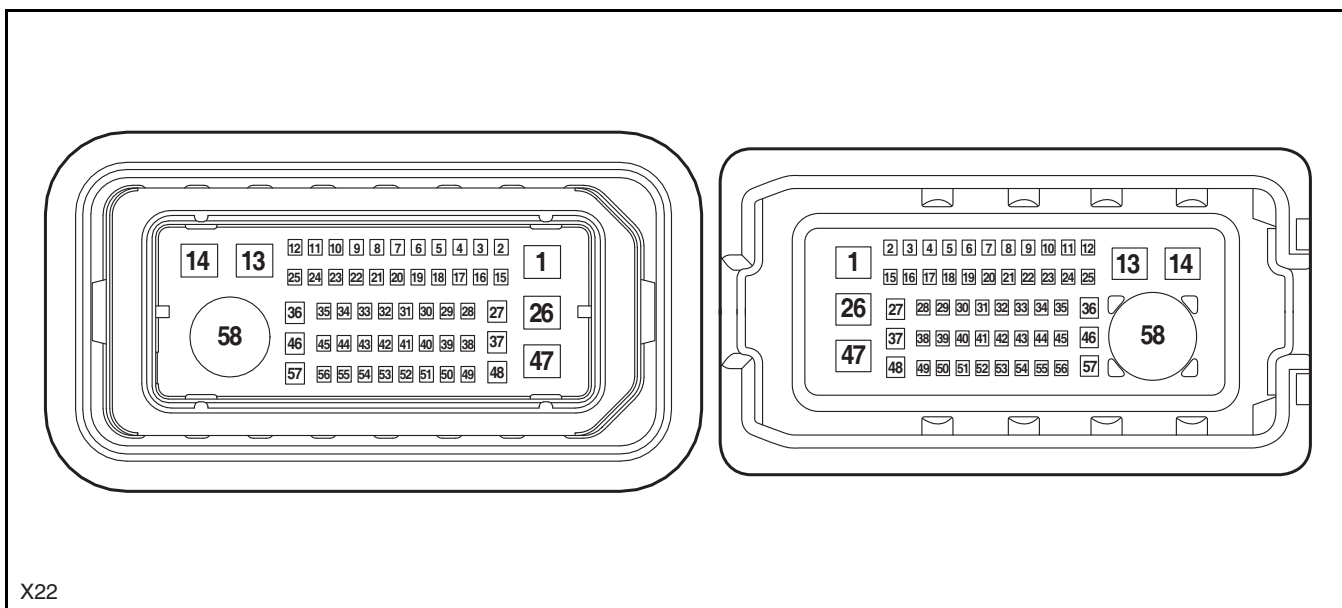
Instrument Panel Wiring Harness to Engine
Compartment Wiring Harness (Right 1)

Engine Compartment Wiring Harness to Instrument
Panel Wiring Harness (Right 1)



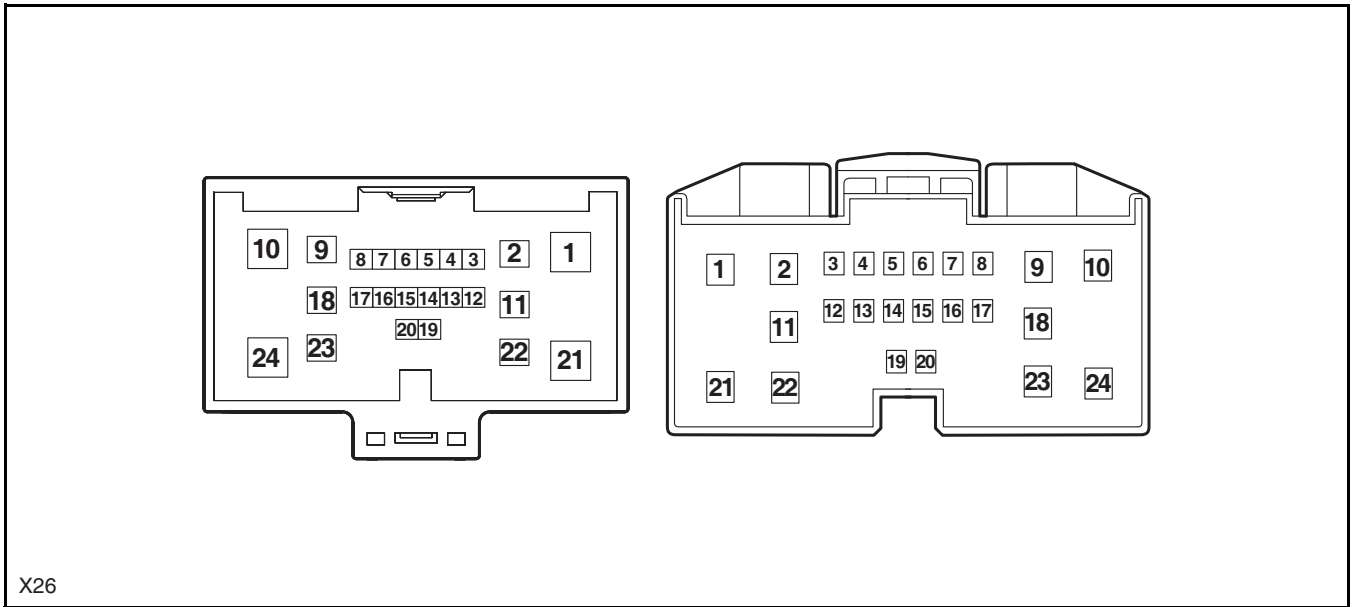
Chassis Wiring Harness to Right Front Door Wiring
Harness

Right Front Door Wiring Harness to Chassis Wiring
Harness



Chassis Wiring Harness to Engine Compartment Wiring Harness (Left 1)

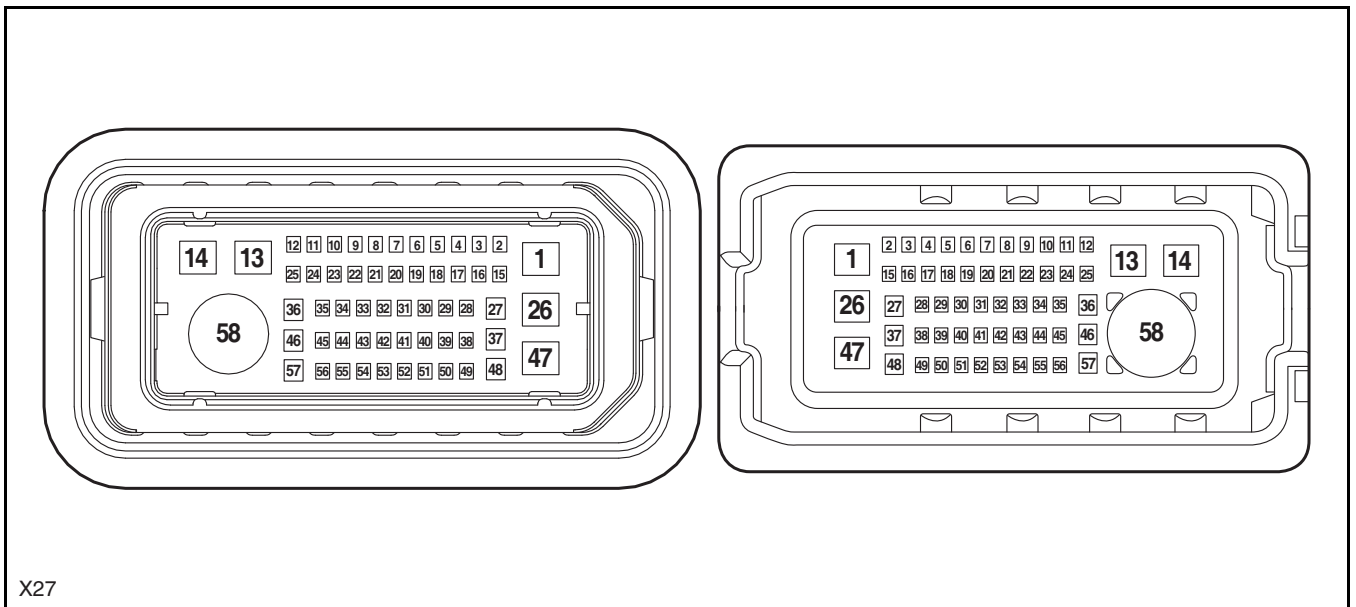
Engine Compartment Wiring Harness to Chassis Wiring Harness (Left 1)



X26

Chassis Wiring Harness to Left Front Door Wiring Harness

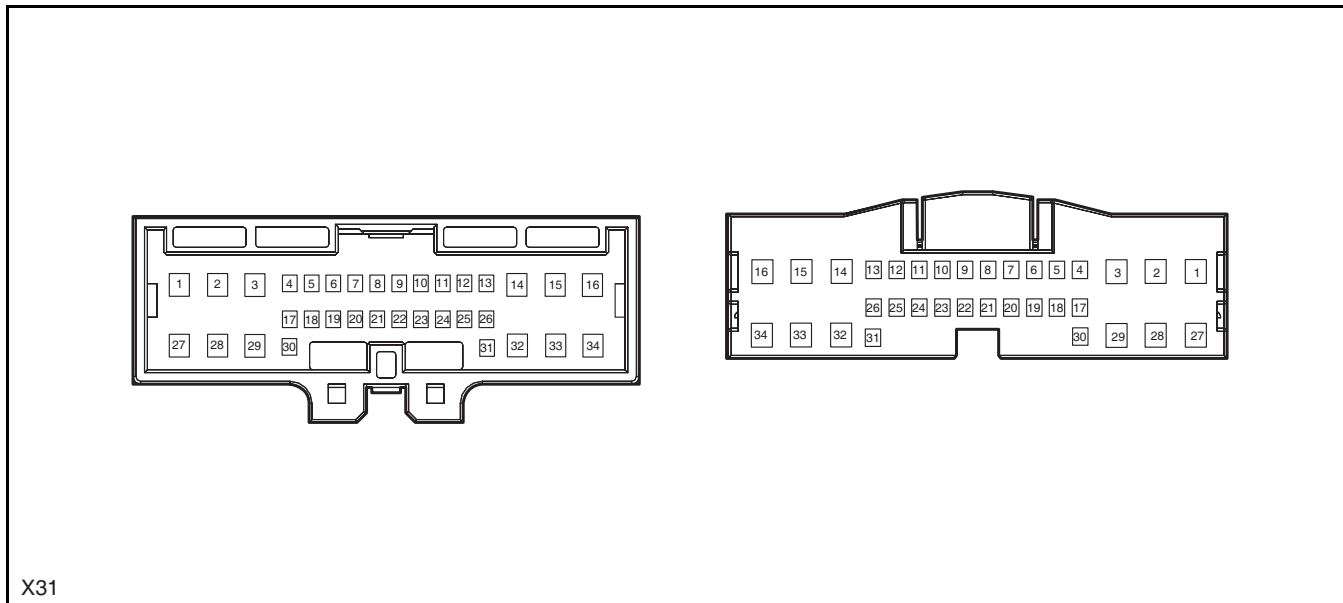
Left Front Door Wiring Harness to Chassis Wiring Harness



X27

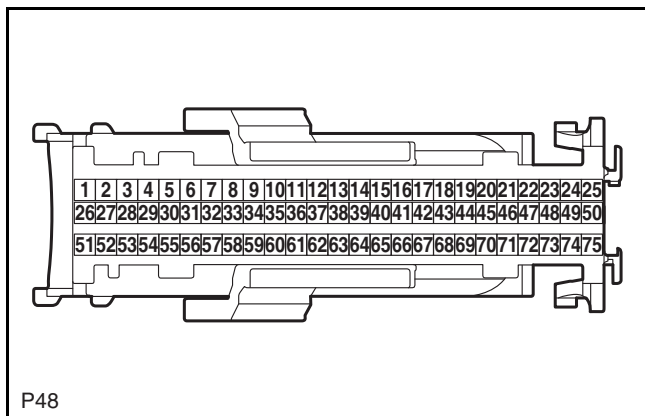
Chassis Wiring Harness to Back Door Wiring Harness

Back Door Wiring Harness to Chassis Wiring Harness

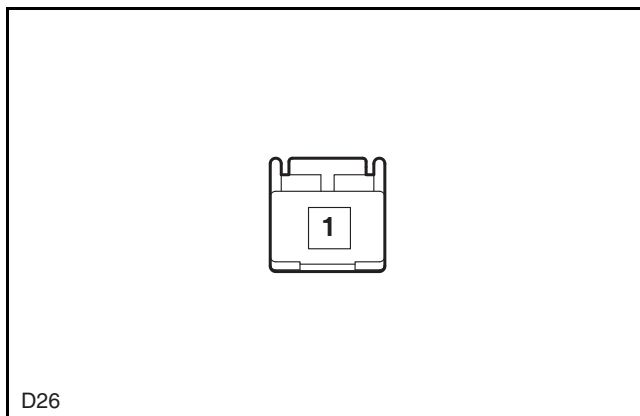


IBCM-J7

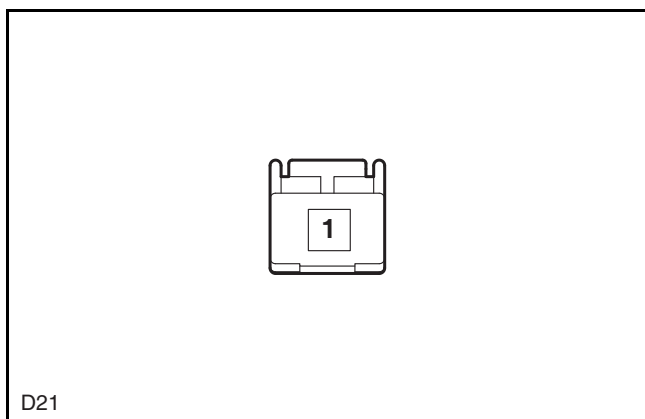
Rear Defroster Positive



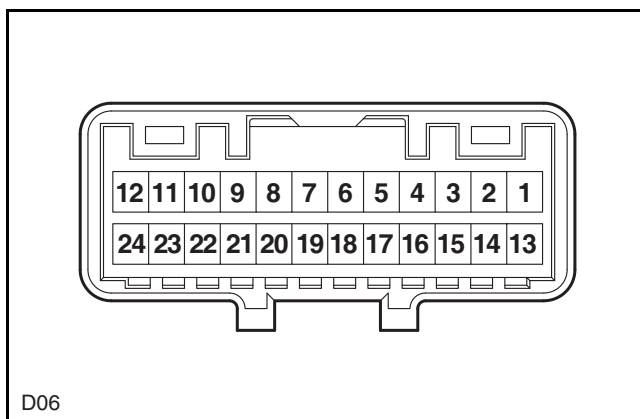
Rear Defroster Negative



Left Front Rearview Mirror

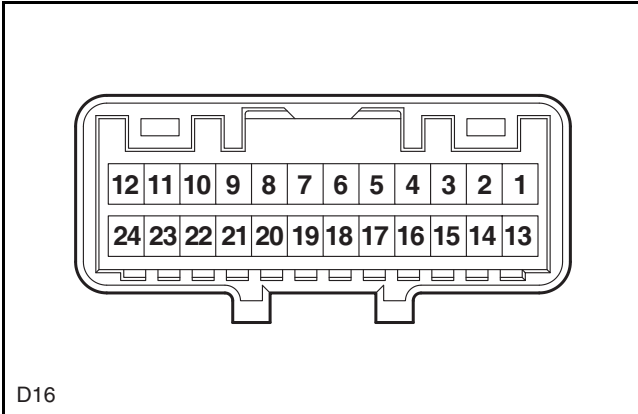


D21

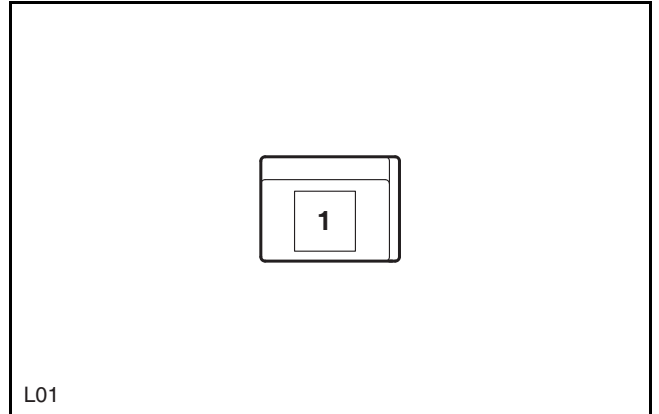


D06

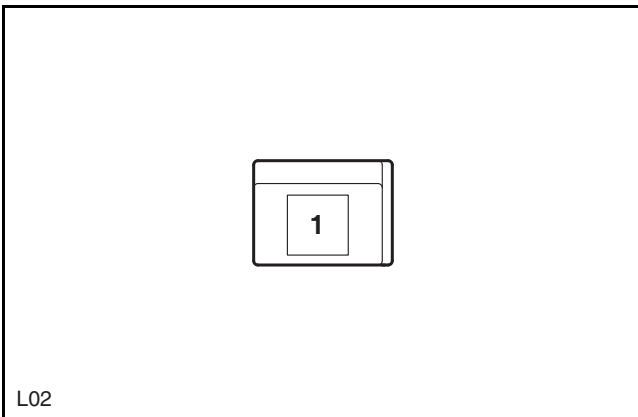
Right Front Rearview Mirror



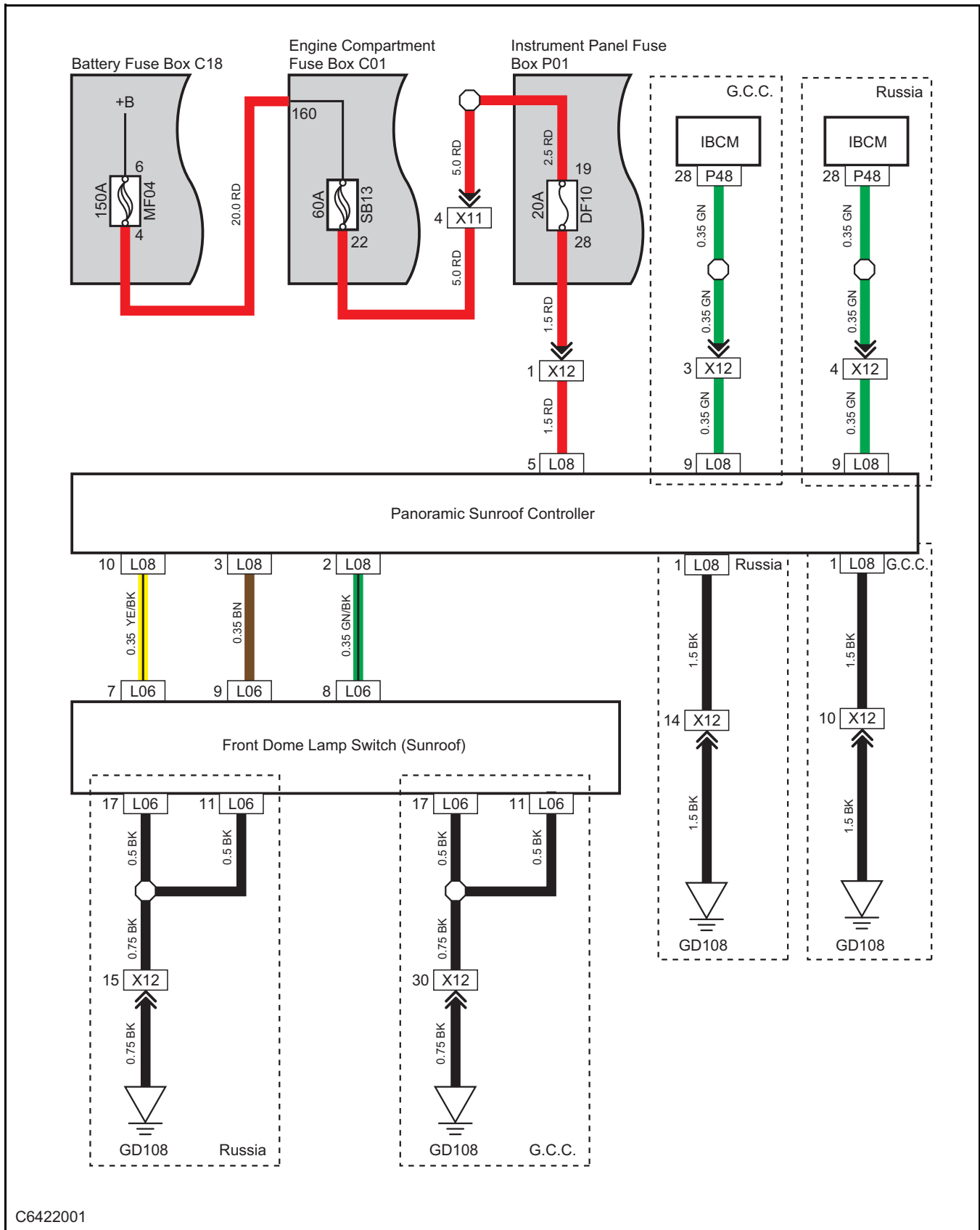
Front Windshield Heater - Left Positive



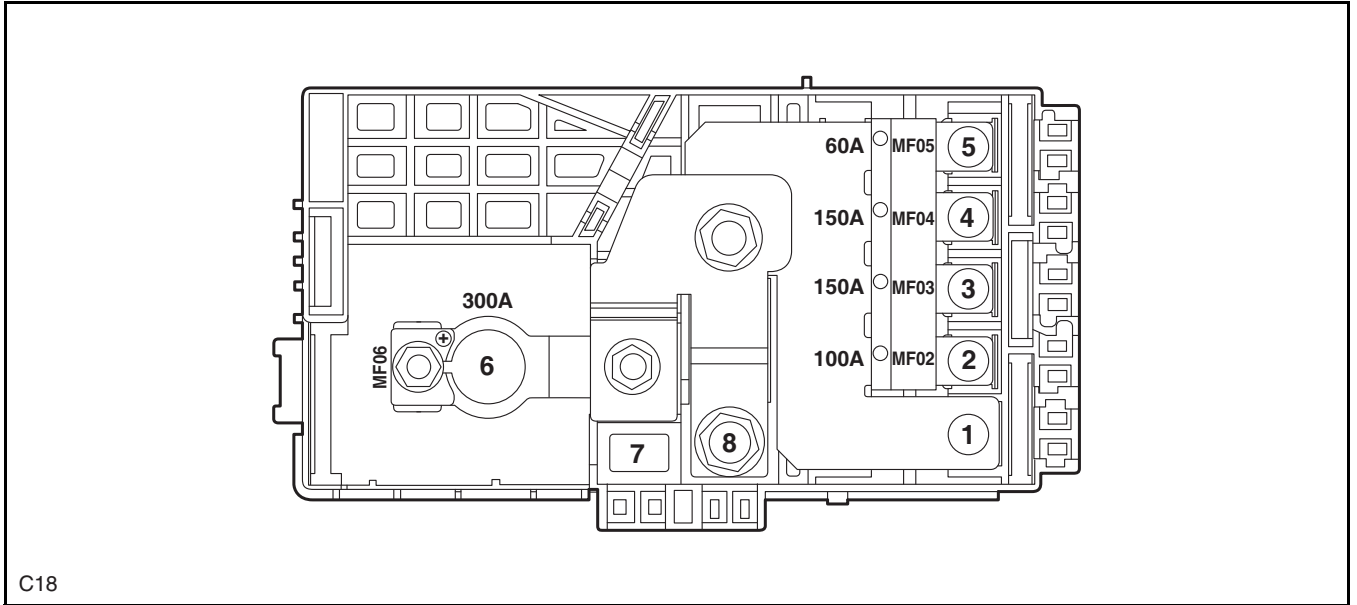
Front Windshield Heater - Left Negative



Panoramic Sunroof

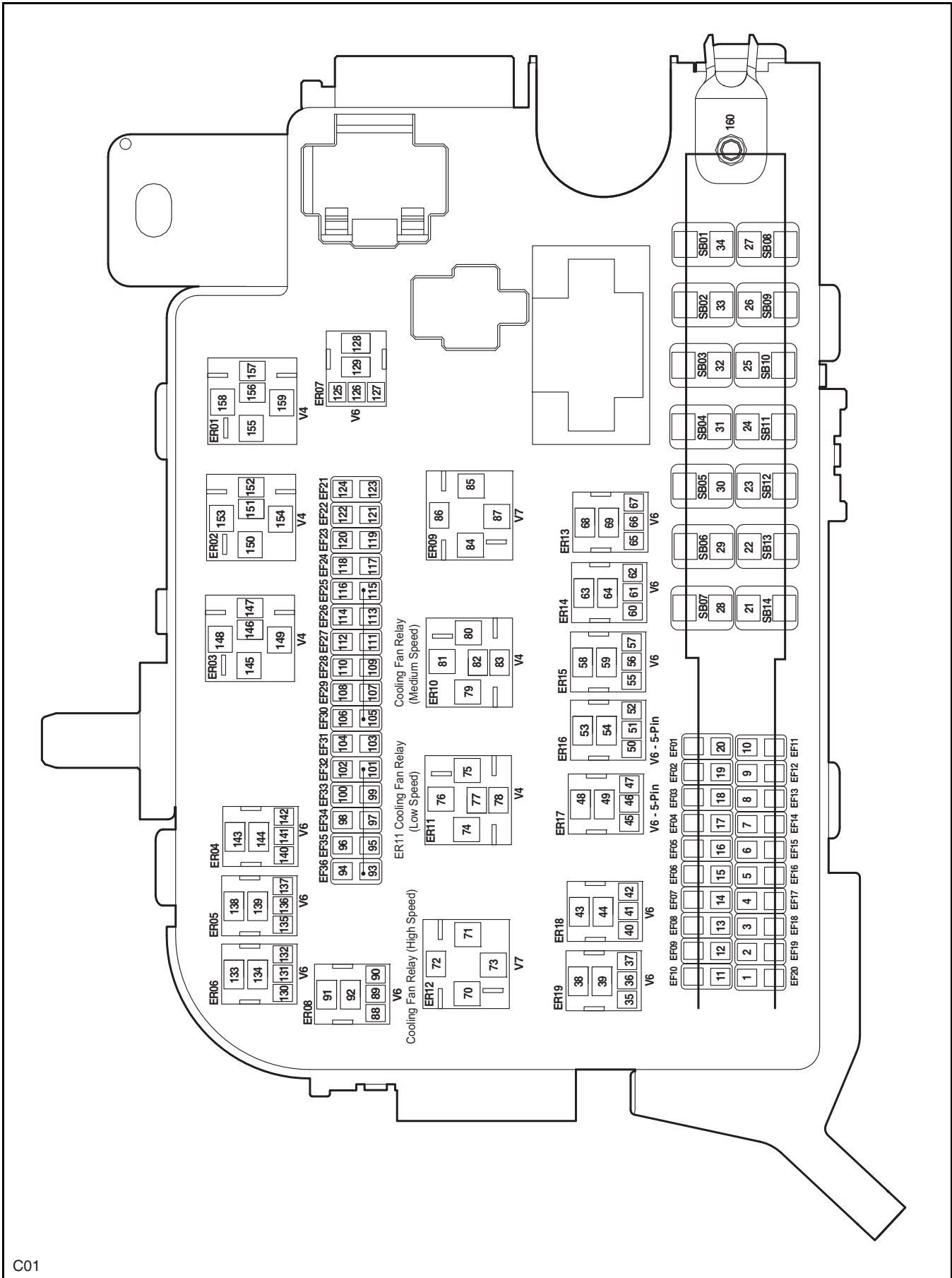


Battery Fuse Box



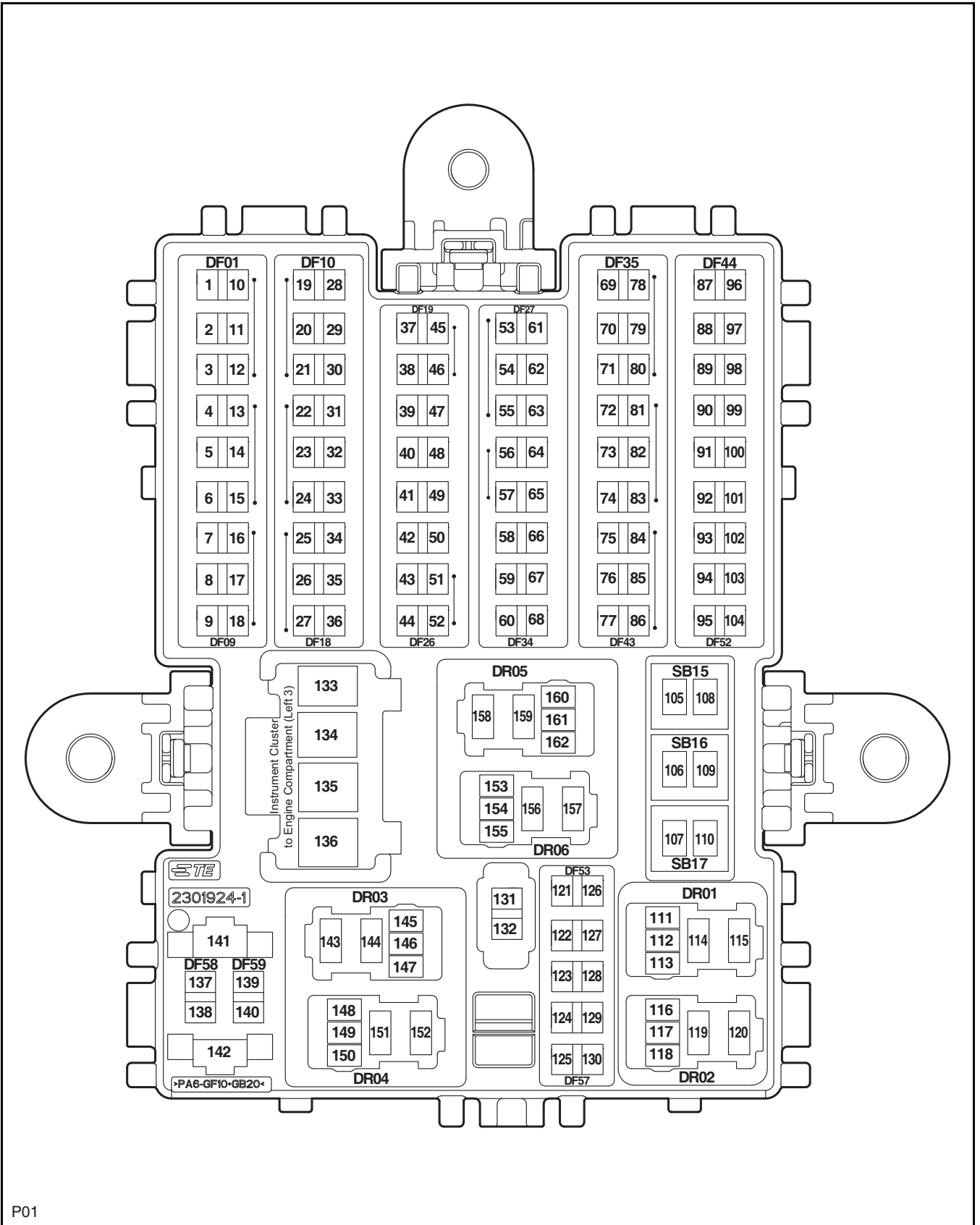
C18

Engine Compartment Fuse Box



C01

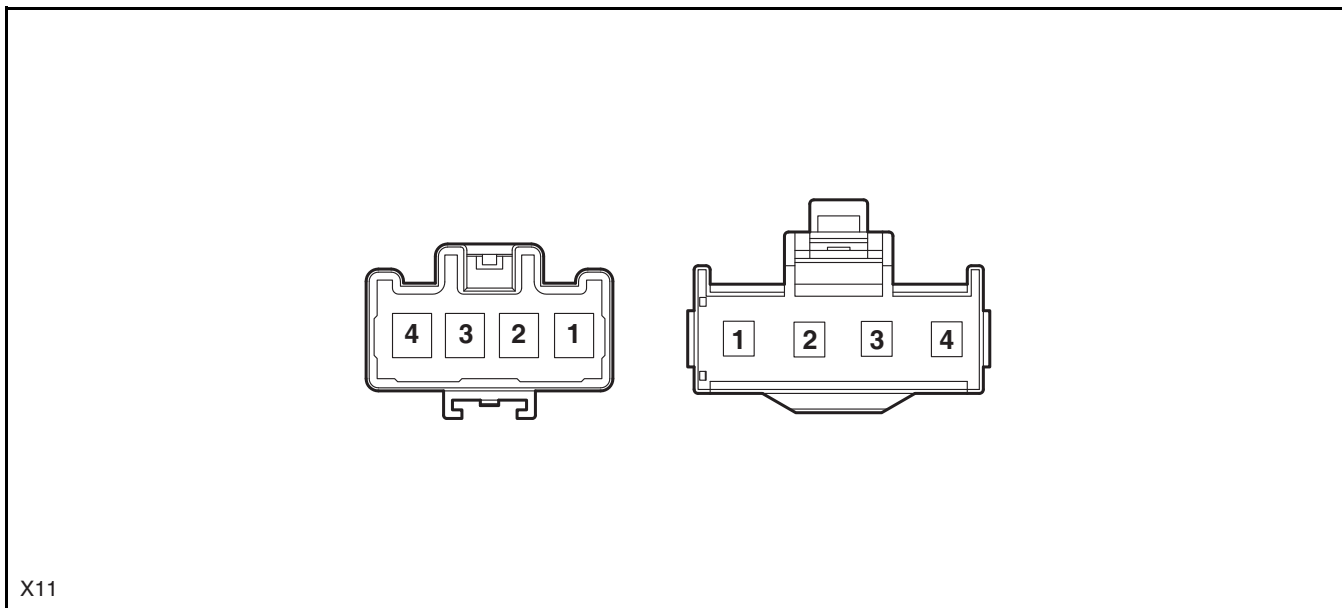
Instrument Panel Fuse Box



P01

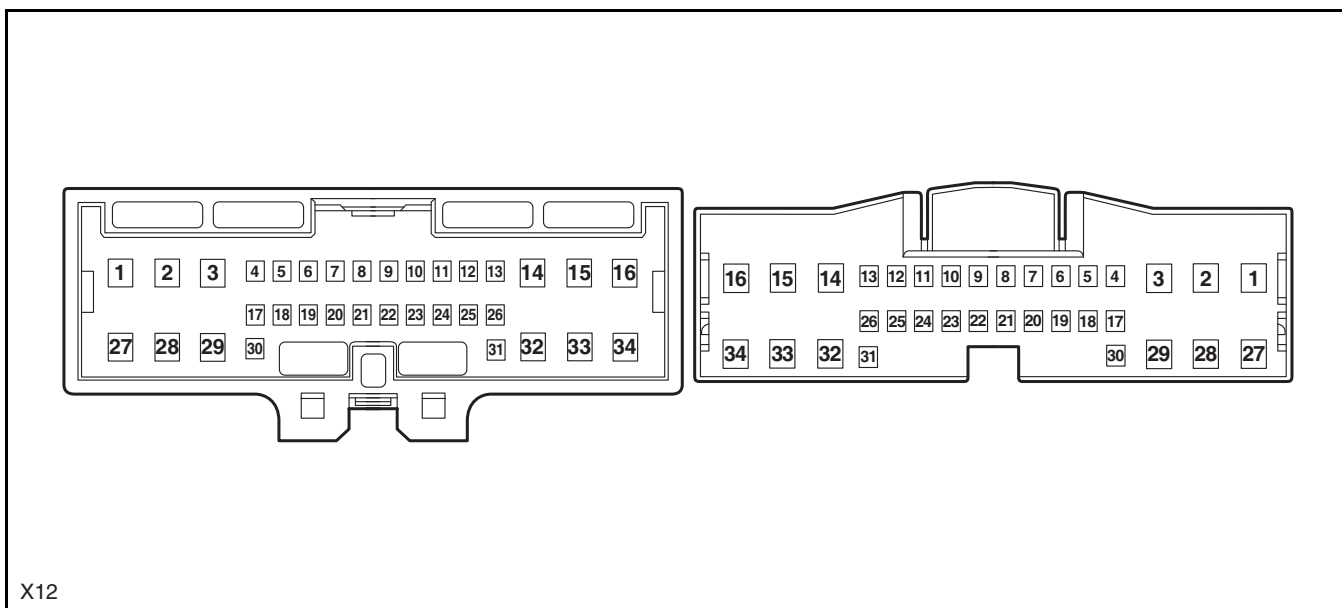
Instrument Panel Wiring Harness to Engine
Compartment Wiring Harness (Left 3)

Engine Compartment Wiring Harness to Instrument
Panel Wiring Harness (Left 3)



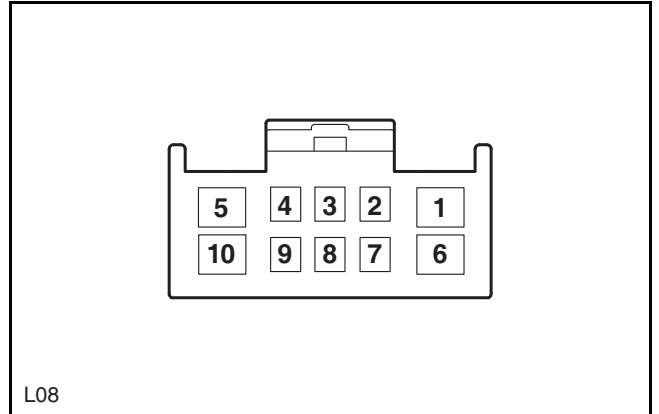
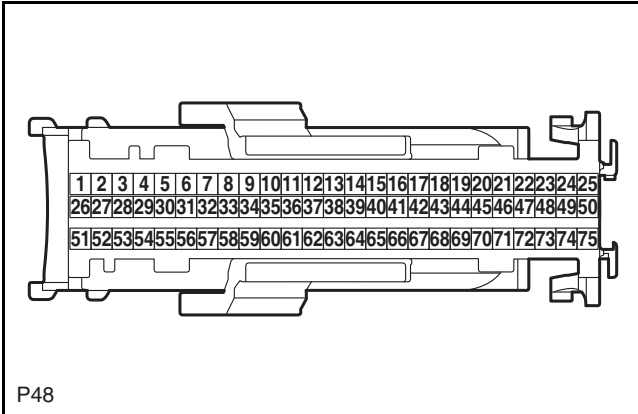
Instrument Panel Wiring Harness to Roof Wiring
Harness (Left 1)

Roof Wiring Harness to Instrument Panel Wiring
Harness (Left 1)

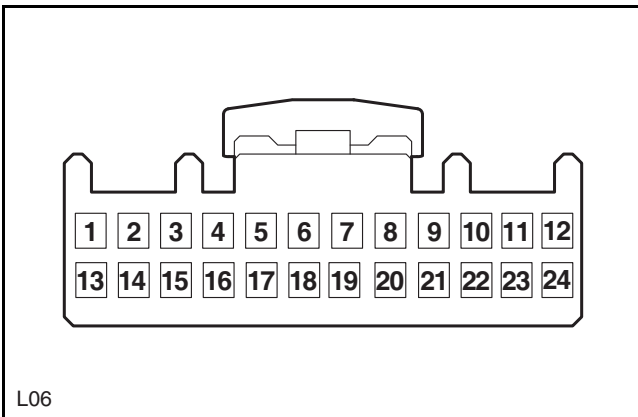


IBCM-J7

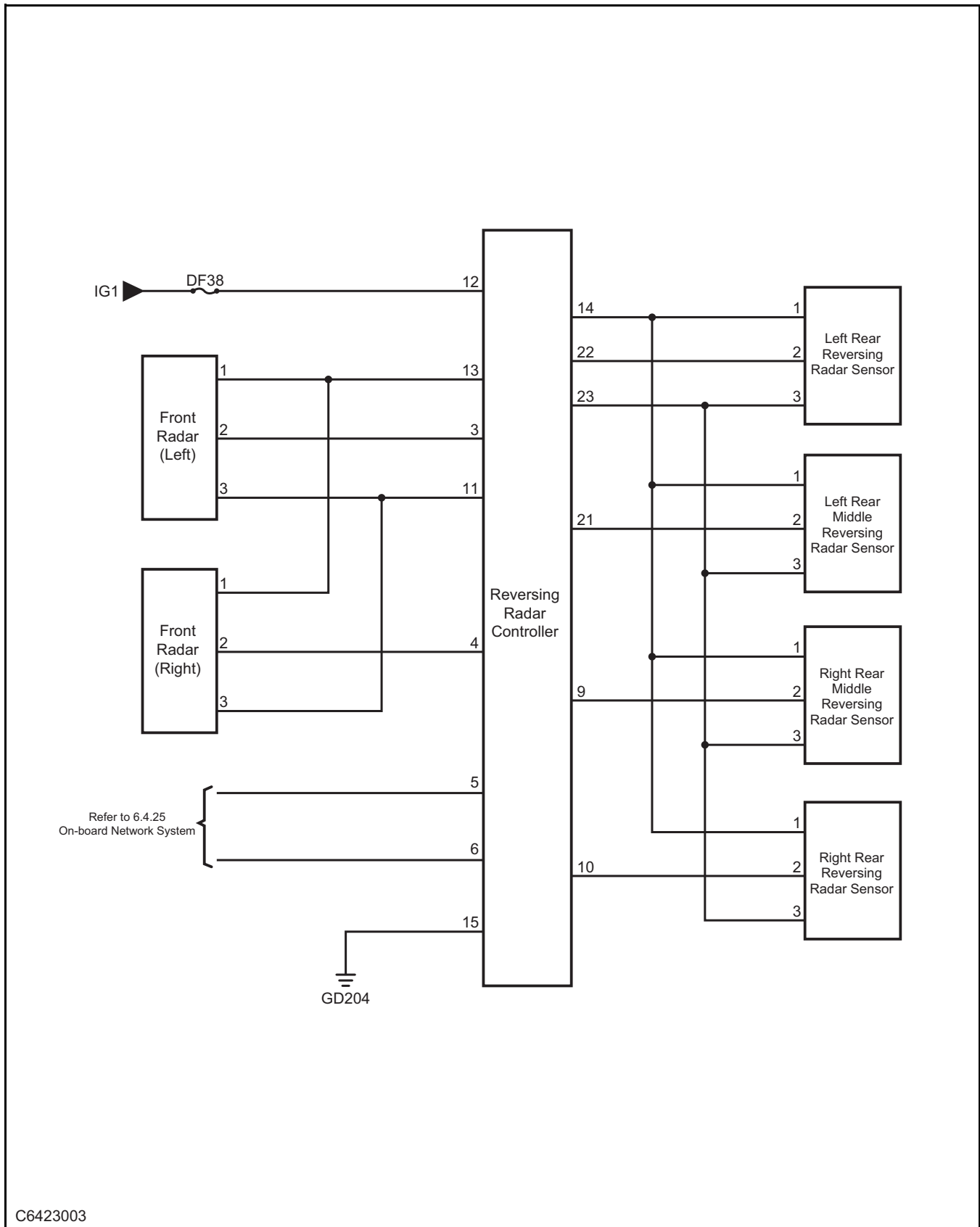
Panoramic Sunroof Controller



Front Dome Lamp Switch (Sunroof)

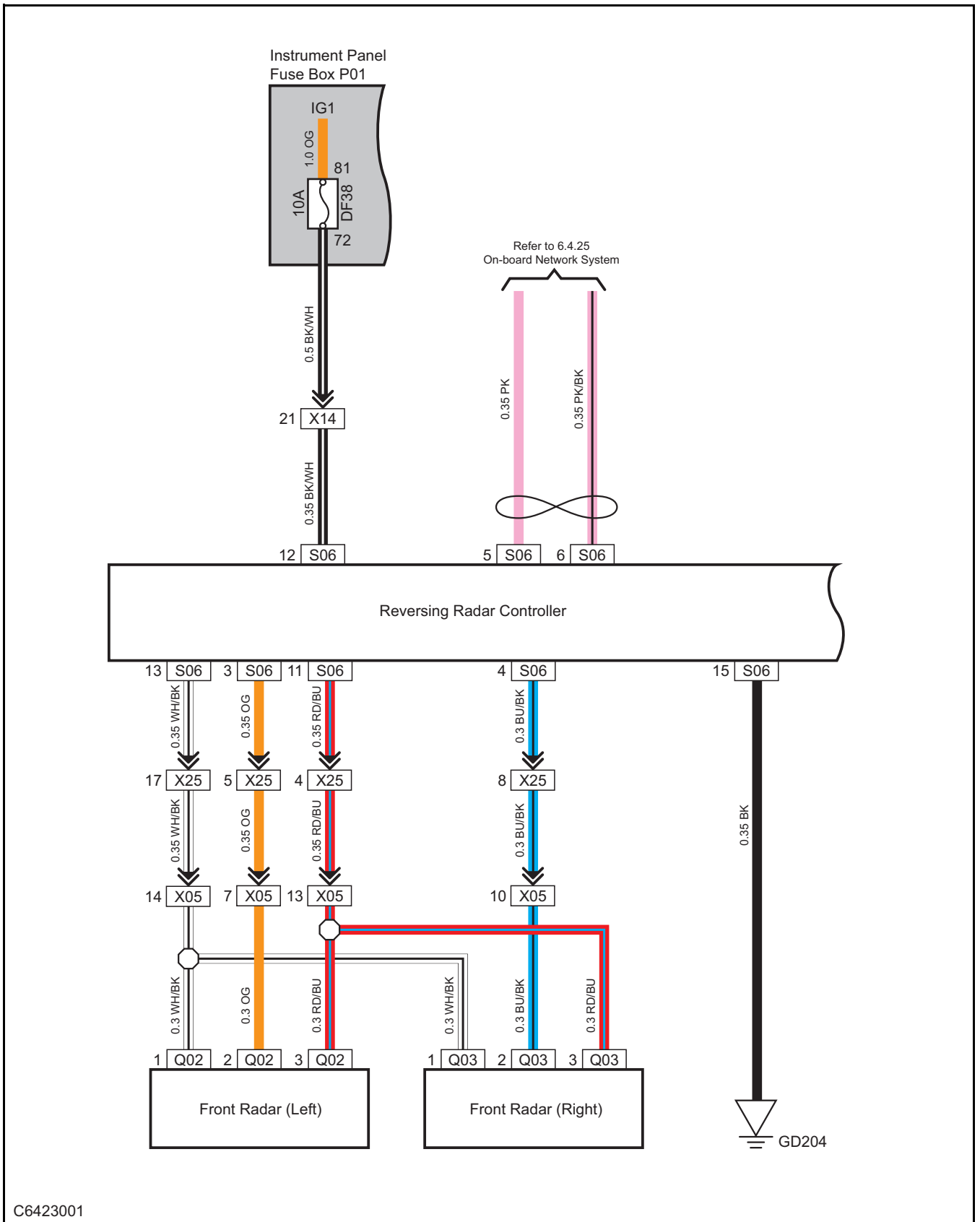


Parking Assist System



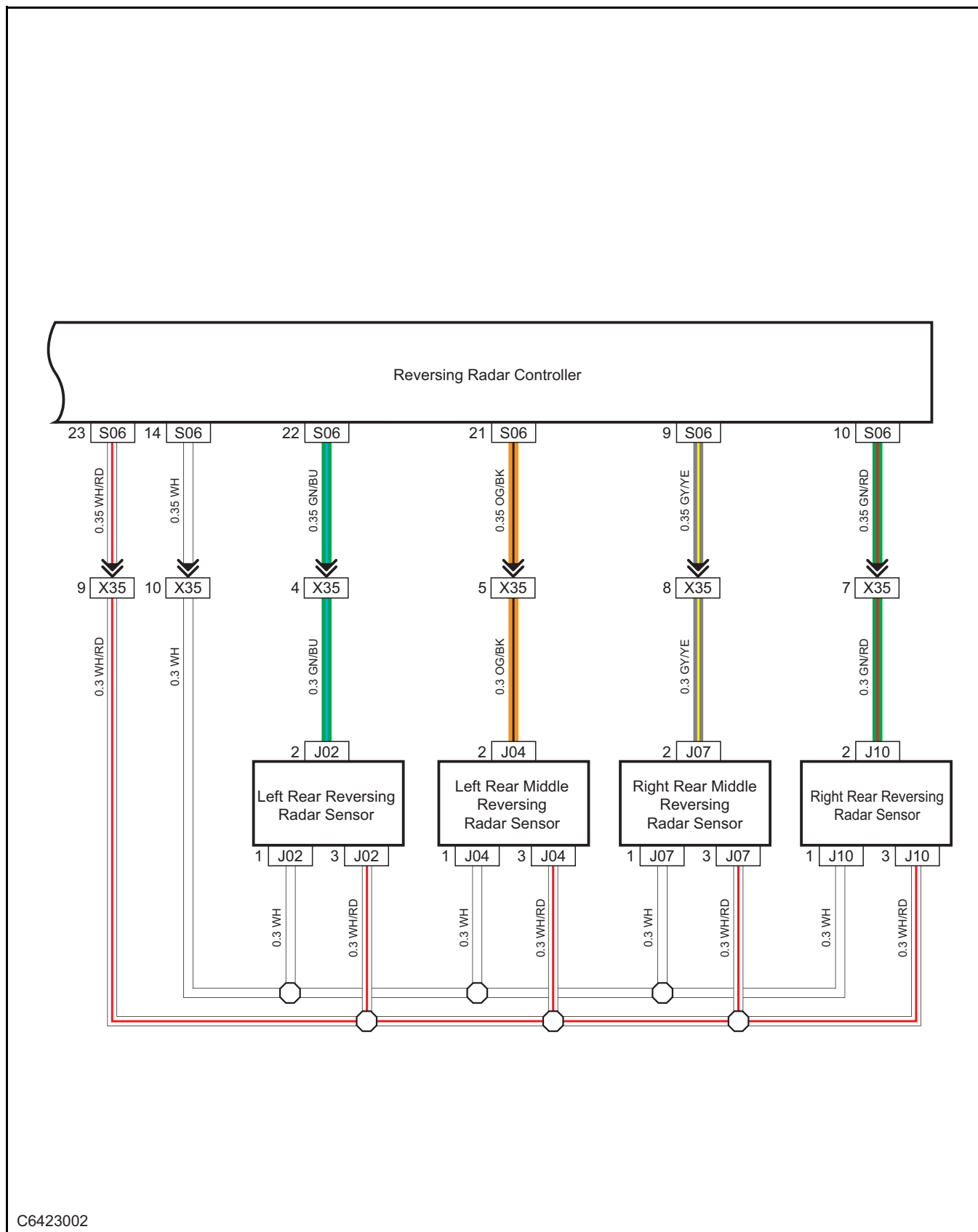
C6423003

Power Supply/Front Radar

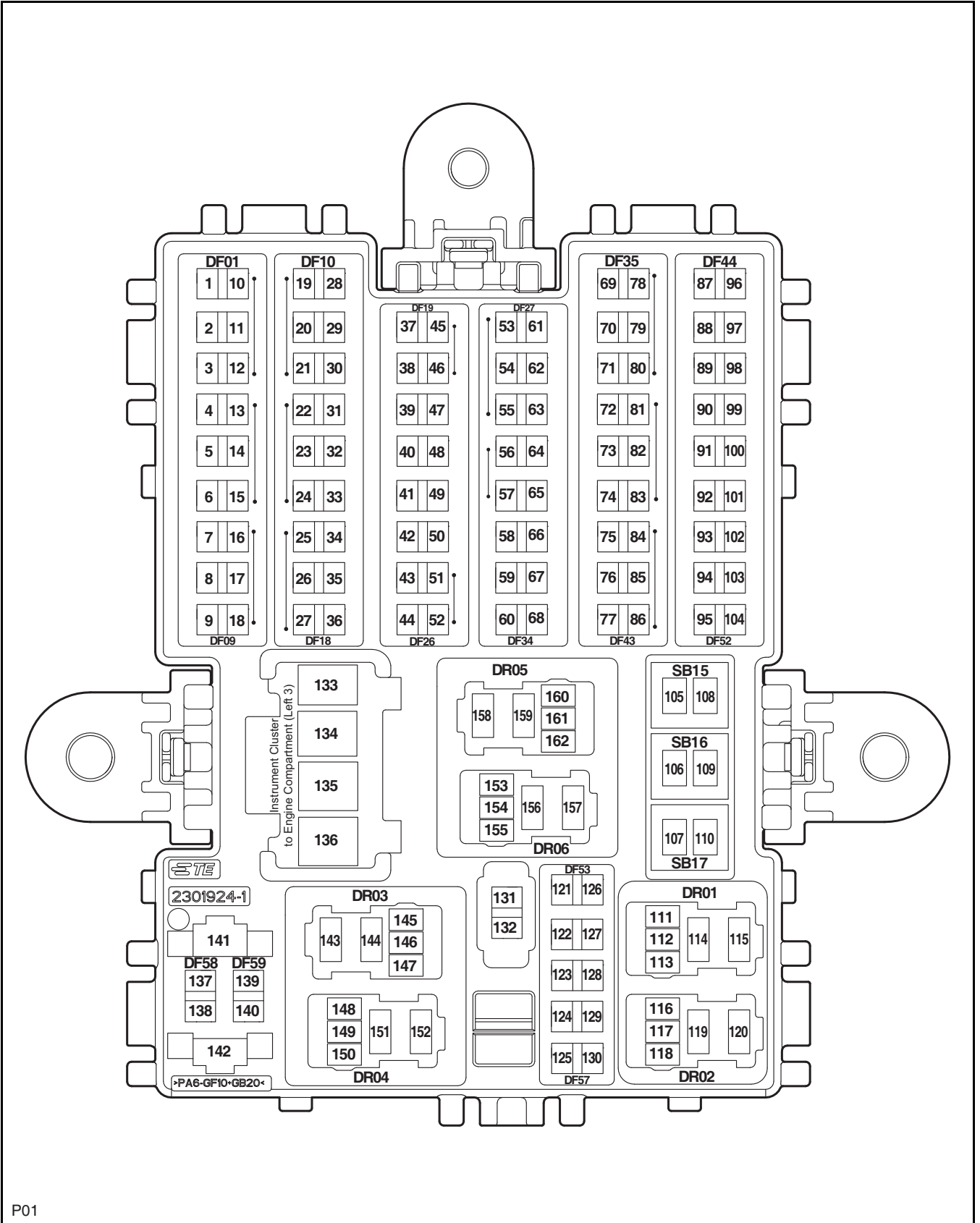


C6423001

Reversing Radar Sensor

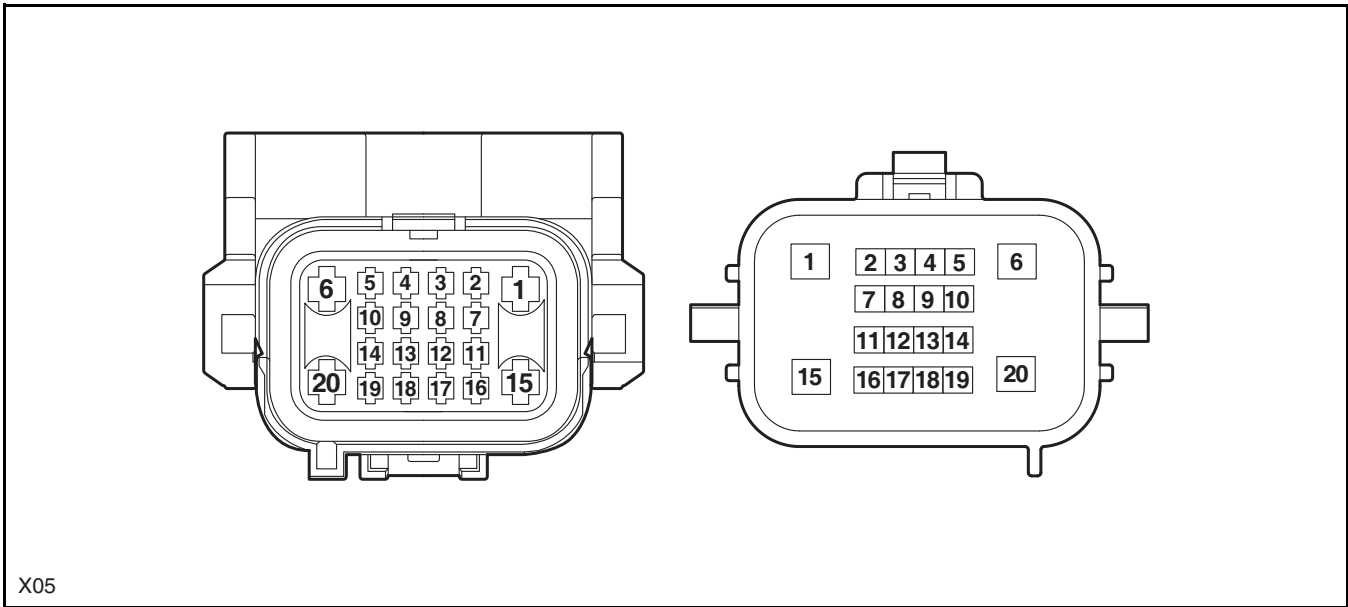


Instrument Panel Fuse Box



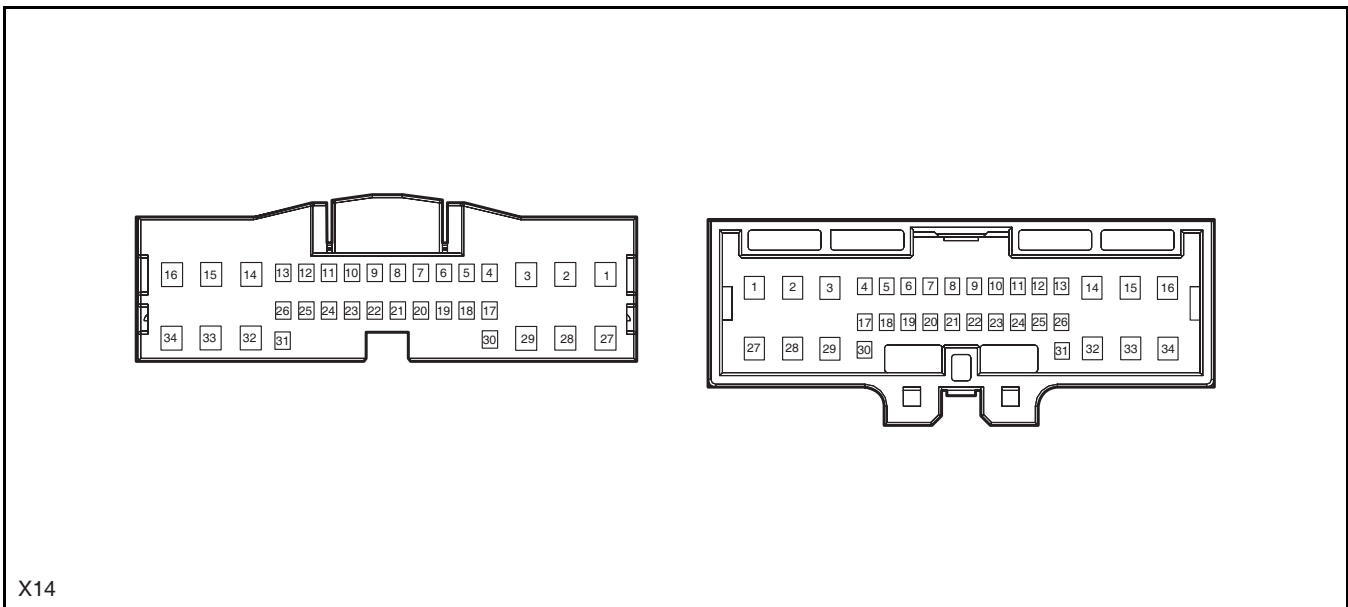
Engine Compartment Wiring Harness to Front Bumper Wiring Harness (1)

Front Bumper Wiring Harness to Engine Compartment Wiring Harness (1)



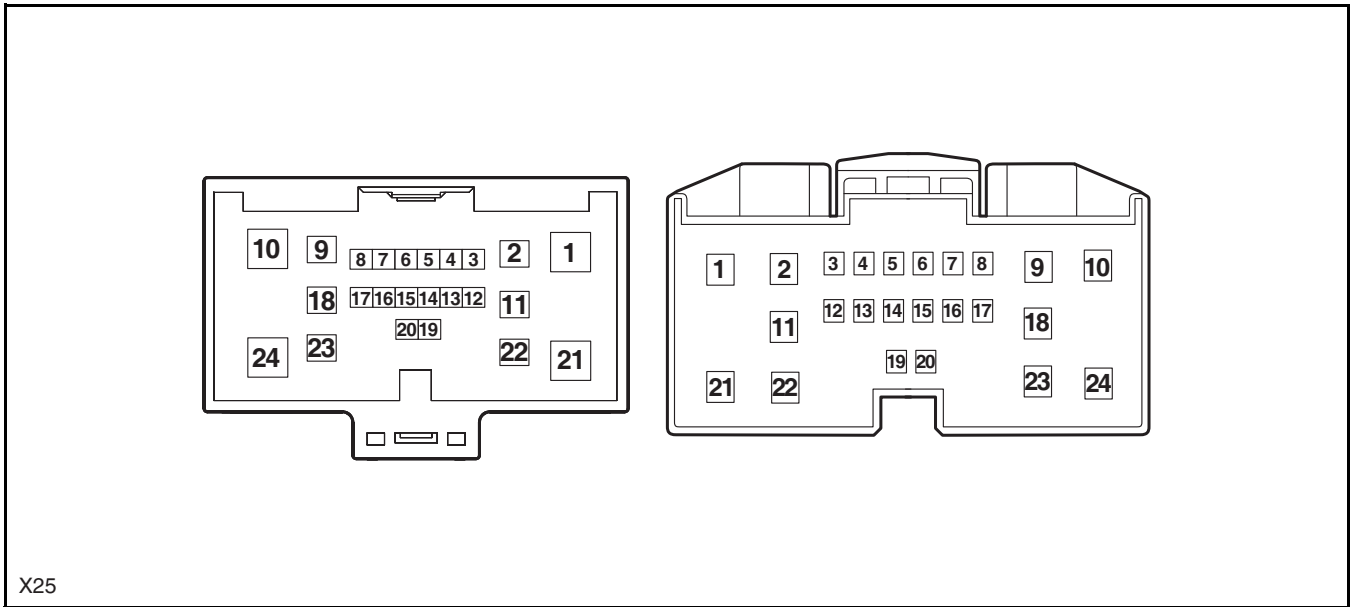
Instrument Panel Wiring Harness to Chassis Wiring Harness (Center)

Chassis Wiring Harness to Instrument Panel Wiring Harness (Center)



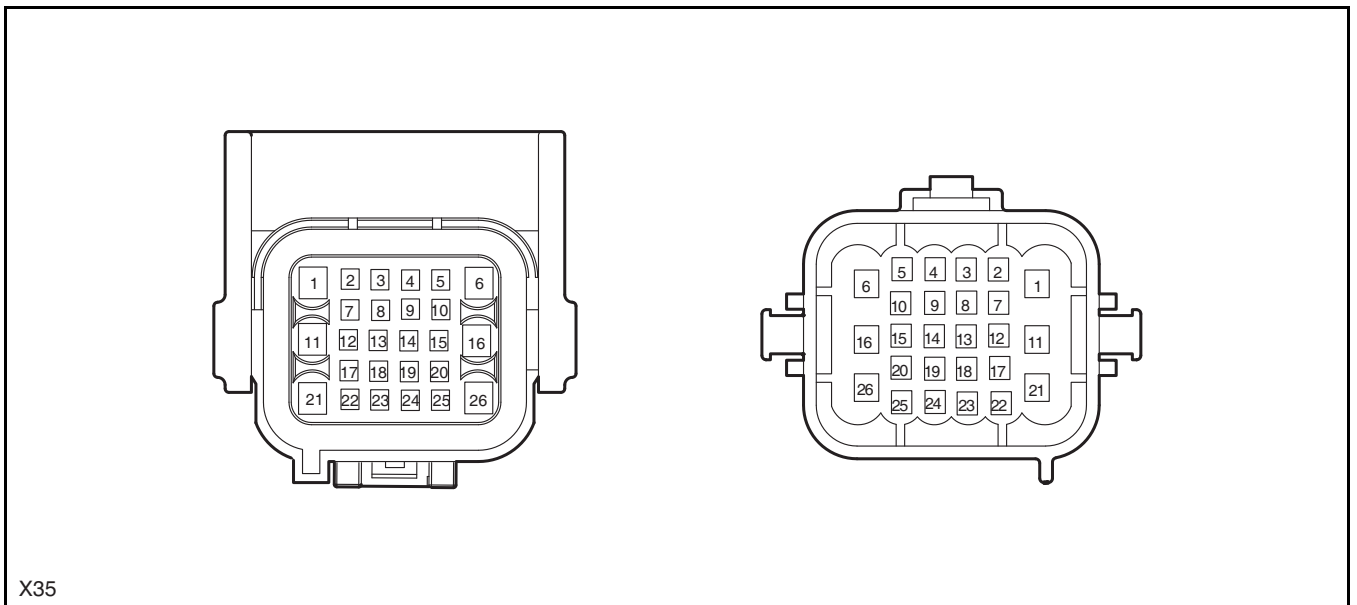
Chassis Wiring Harness to Engine Compartment Wiring Harness (Right 1)

Engine Compartment Wiring Harness to Chassis Wiring Harness (Right 1)

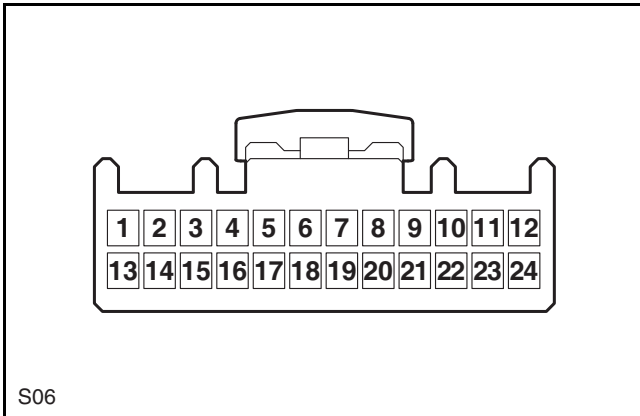


Chassis Wiring Harness to Rear Bumper Wiring Harness

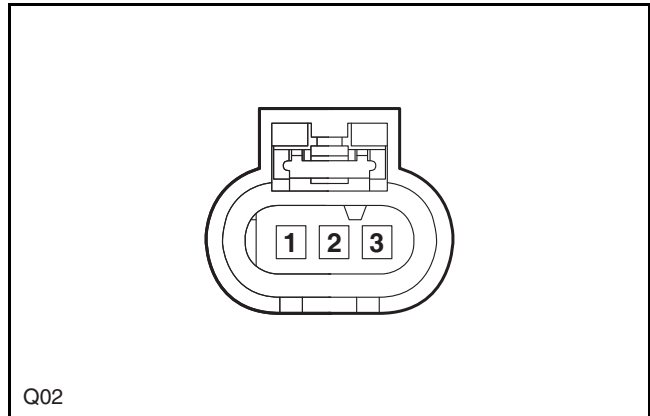
Rear Bumper Wiring Harness to Chassis Wiring Harness



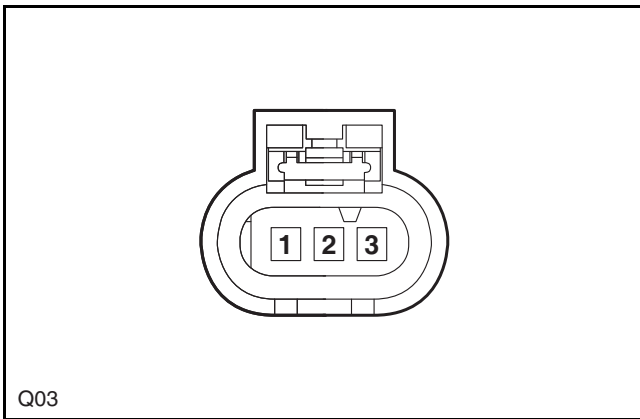
Reversing Radar Controller



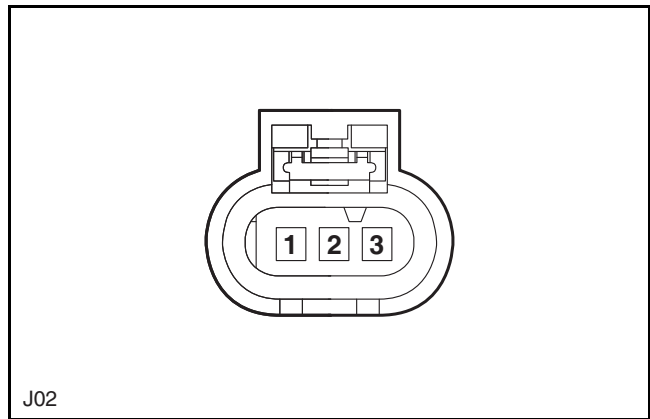
Front Radar (Left)



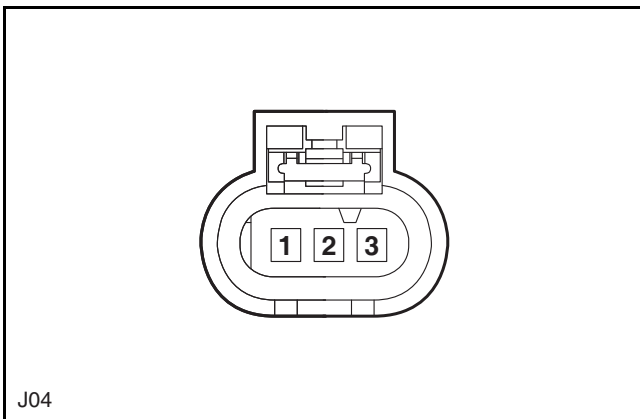
Front Radar (Right)



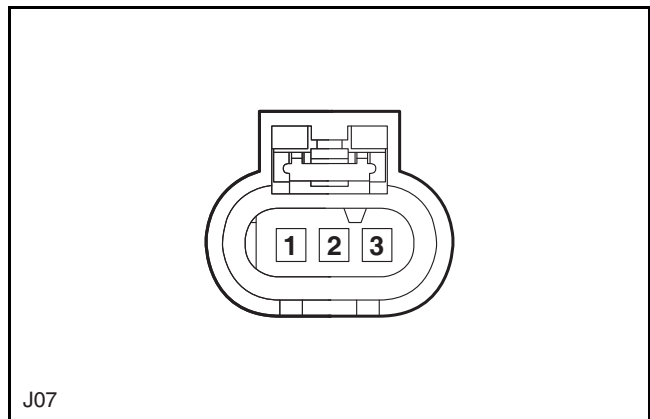
Left Rear Reversing Radar Sensor



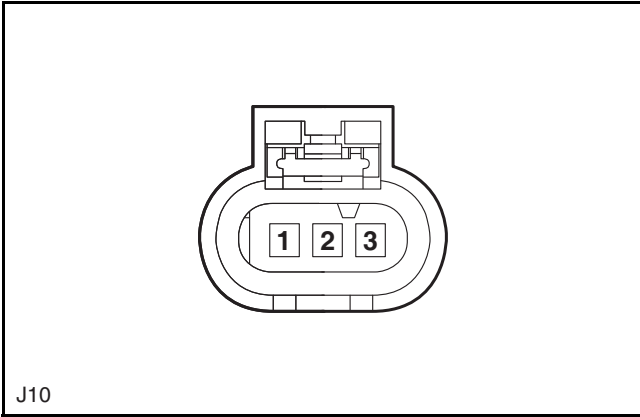
Left Center Rear Reversing Radar Sensor



Right Center Rear Reversing Radar Sensor

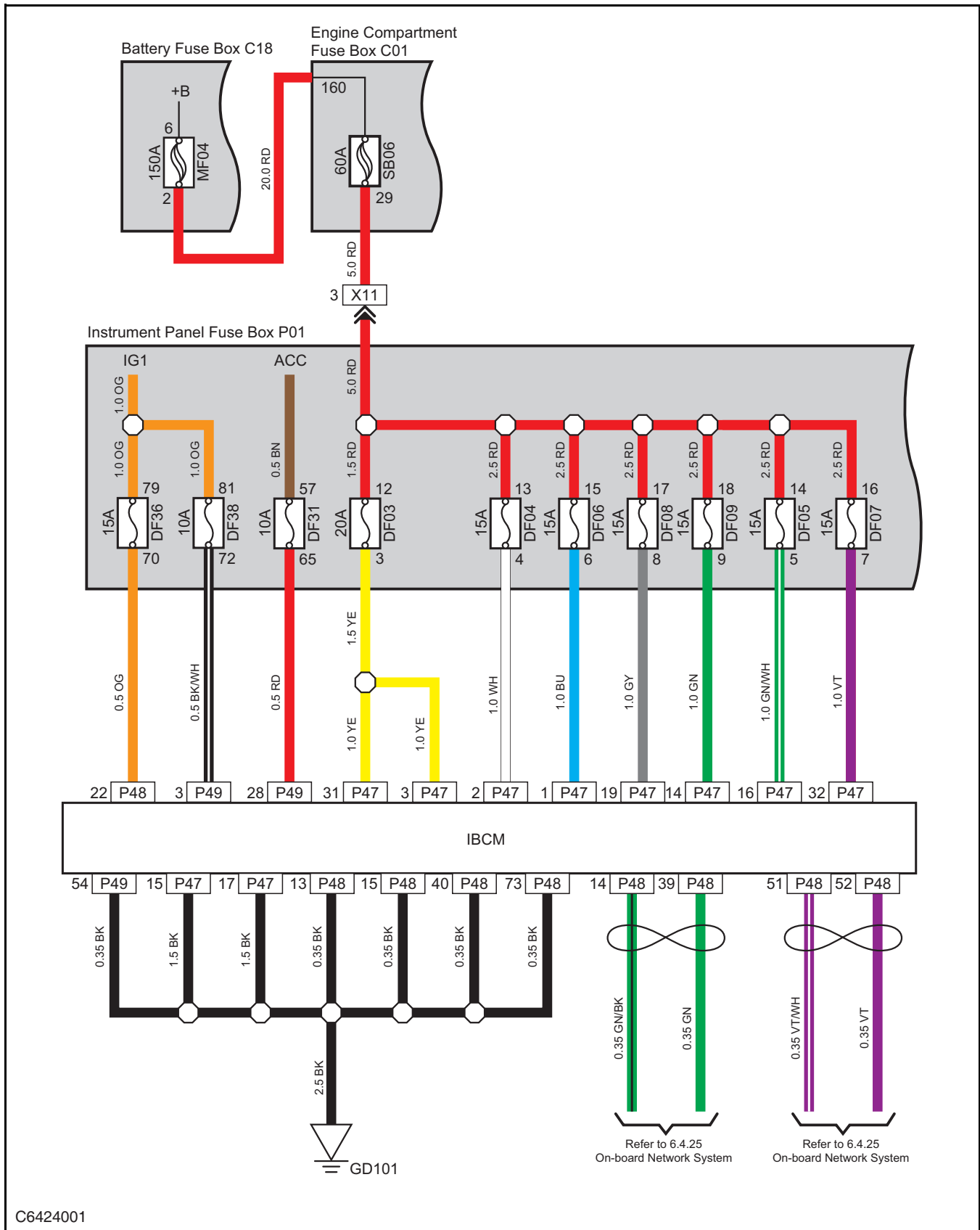


Right Rear Reversing Radar Sensor



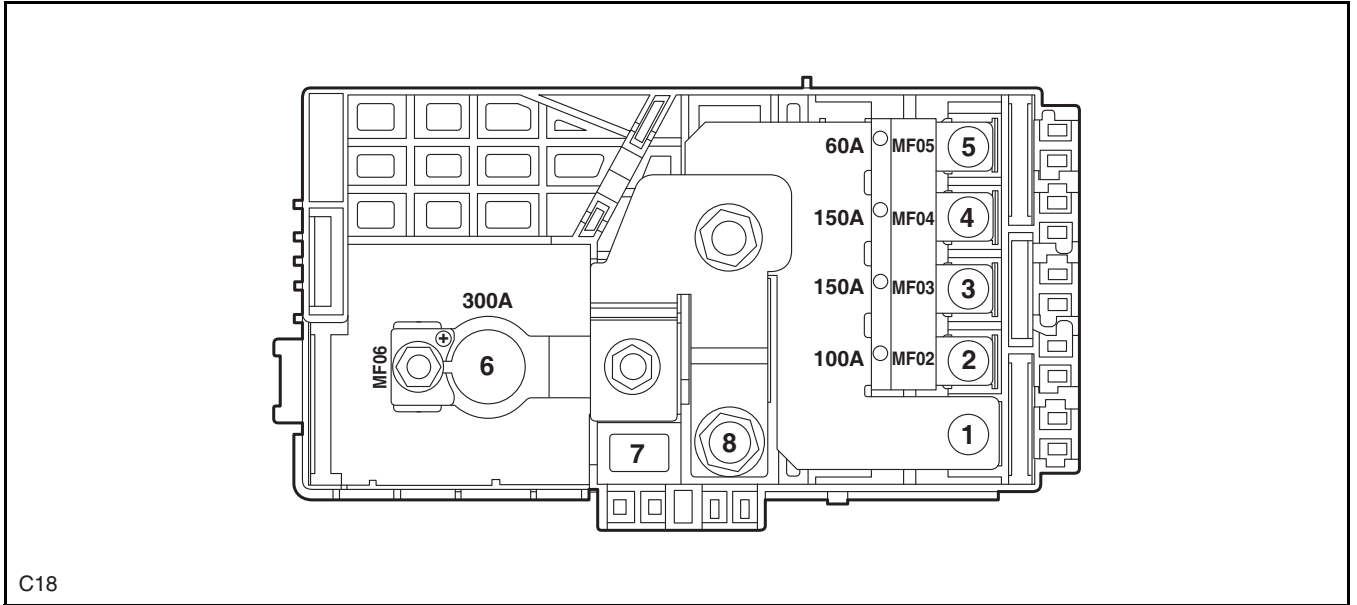
J10

Body Control System



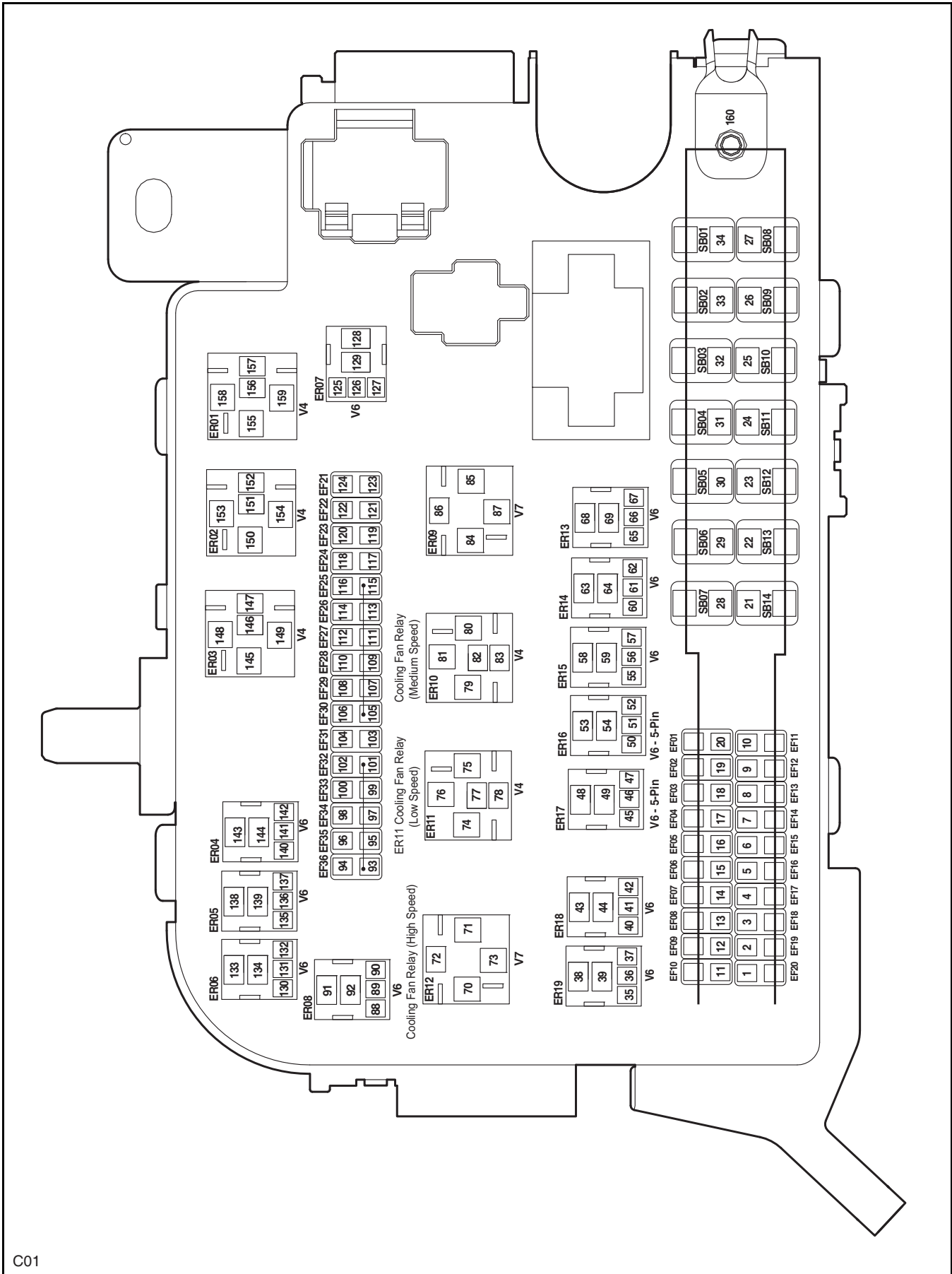
C6424001

Battery Fuse Box



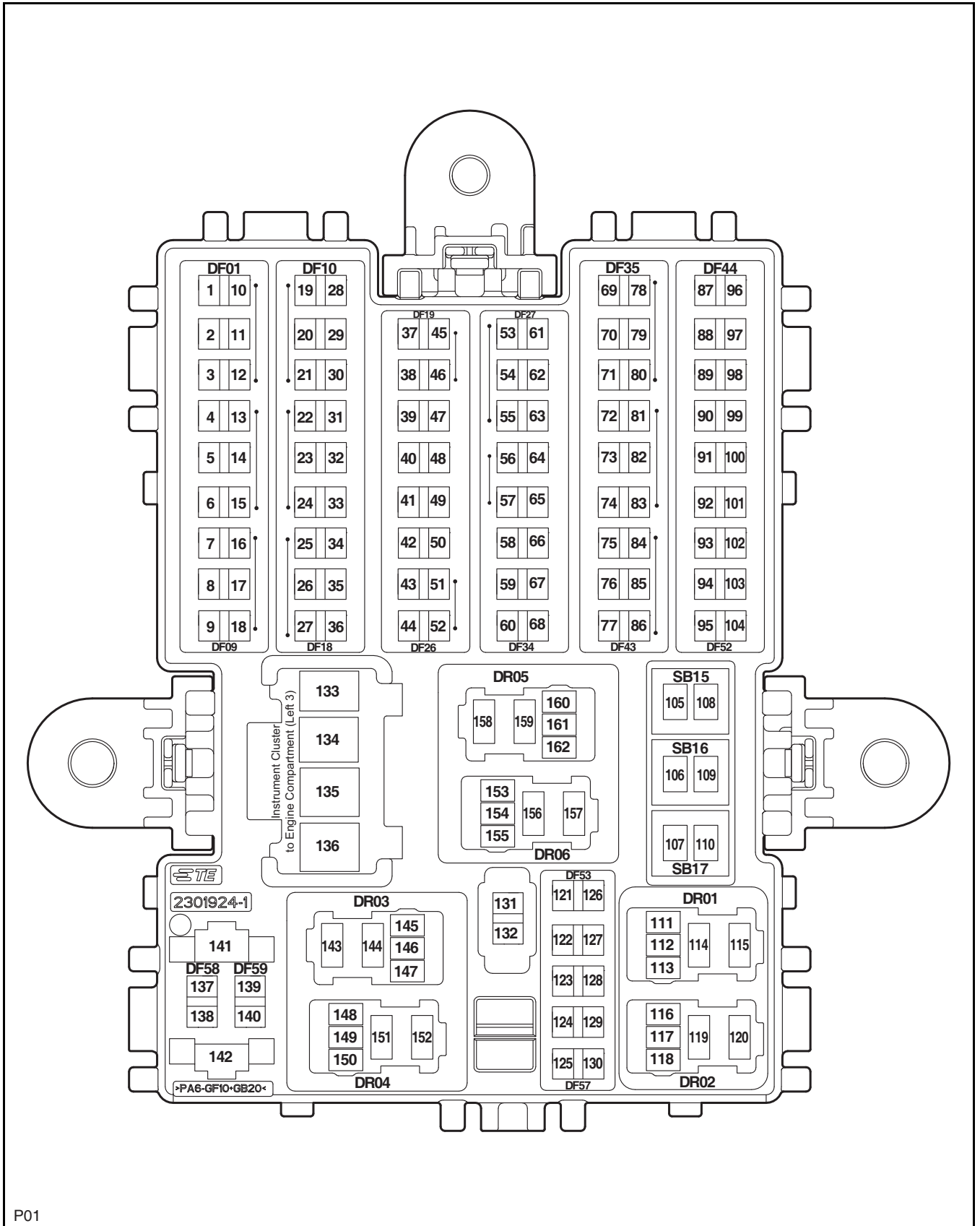
C18

Engine Compartment Fuse Box



C01

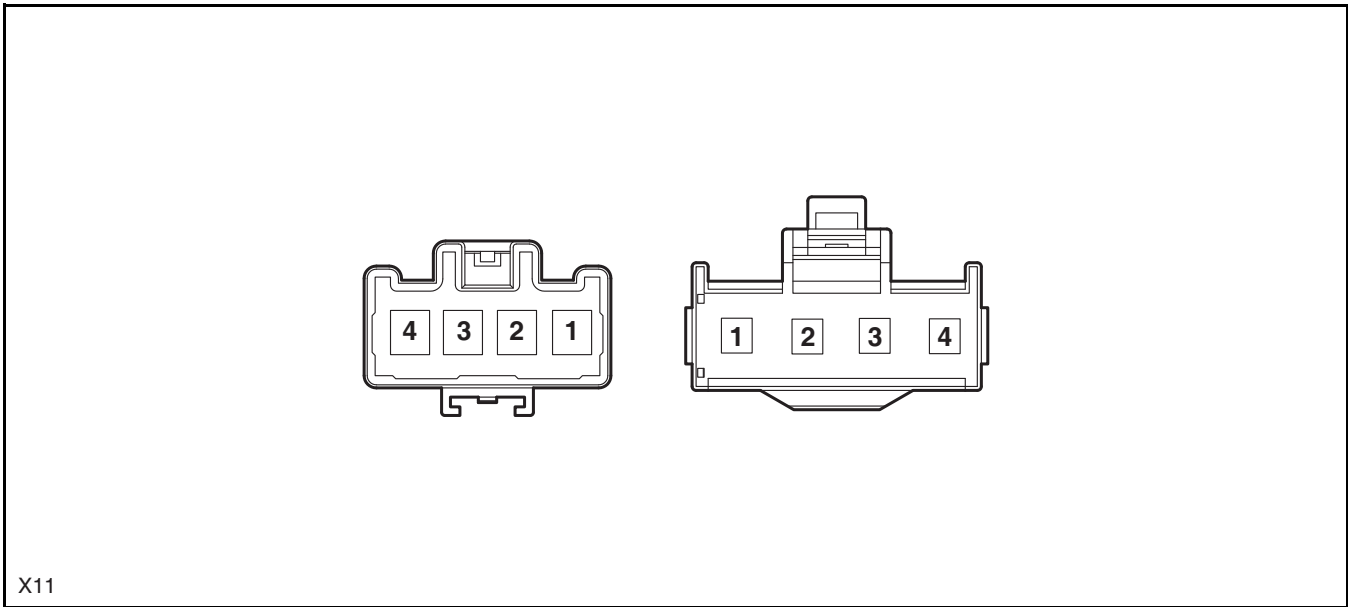
Instrument Panel Fuse Box



P01

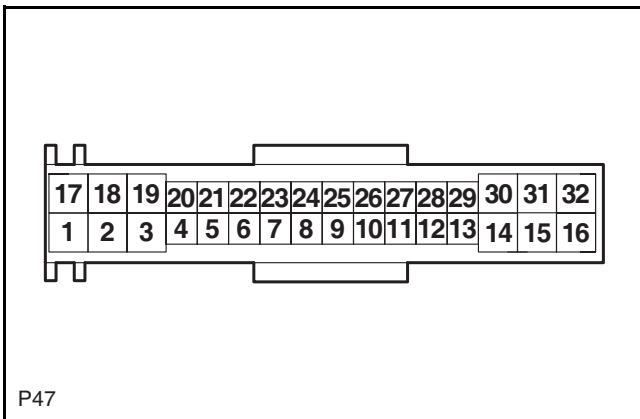
Instrument Panel Wiring Harness to Engine
Compartment Wiring Harness (Left 3)

Engine Compartment Wiring Harness to Instrument
Panel Wiring Harness (Left 3)

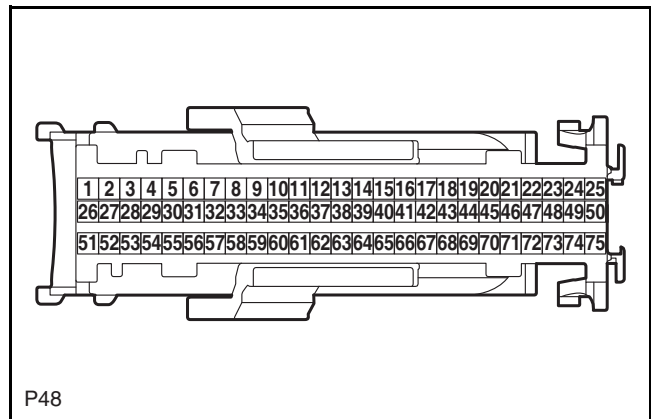


IBCM-J2

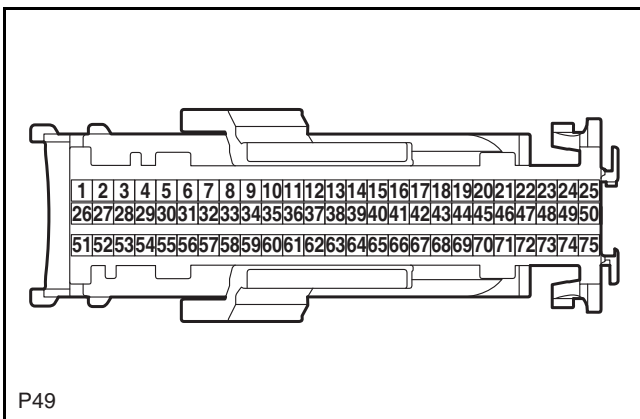
IBCM-J7



IBCM-J1

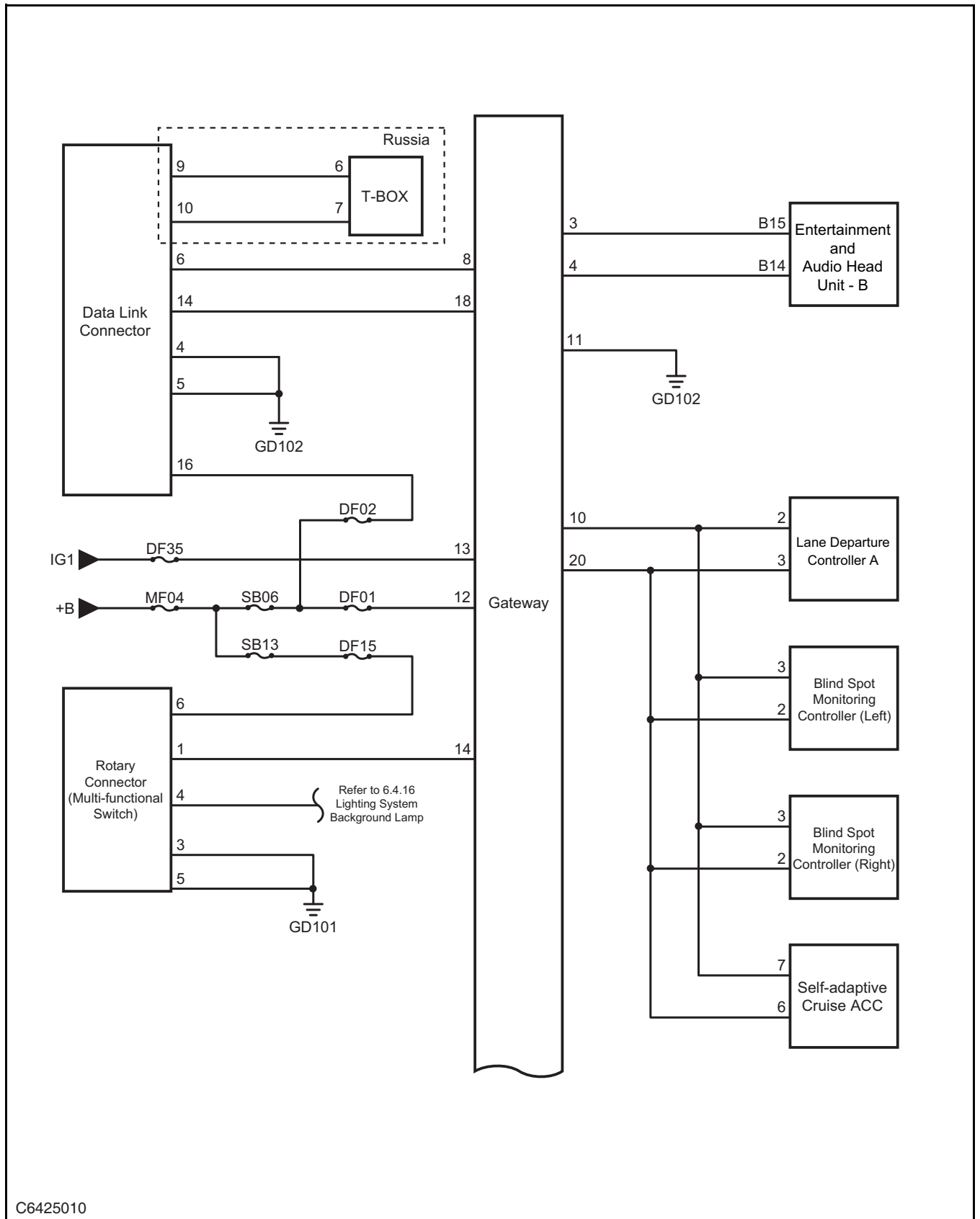


P48

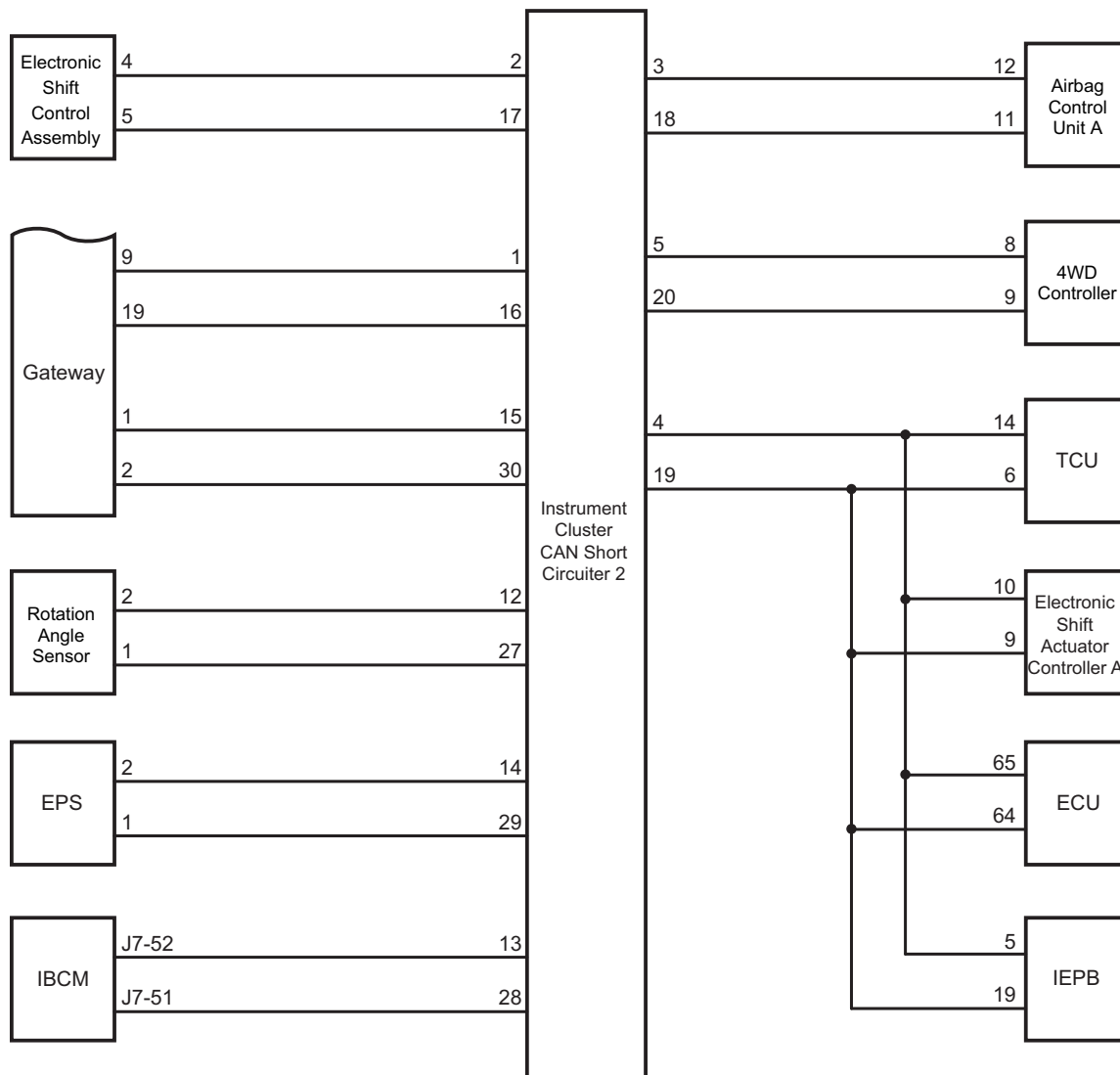


P49

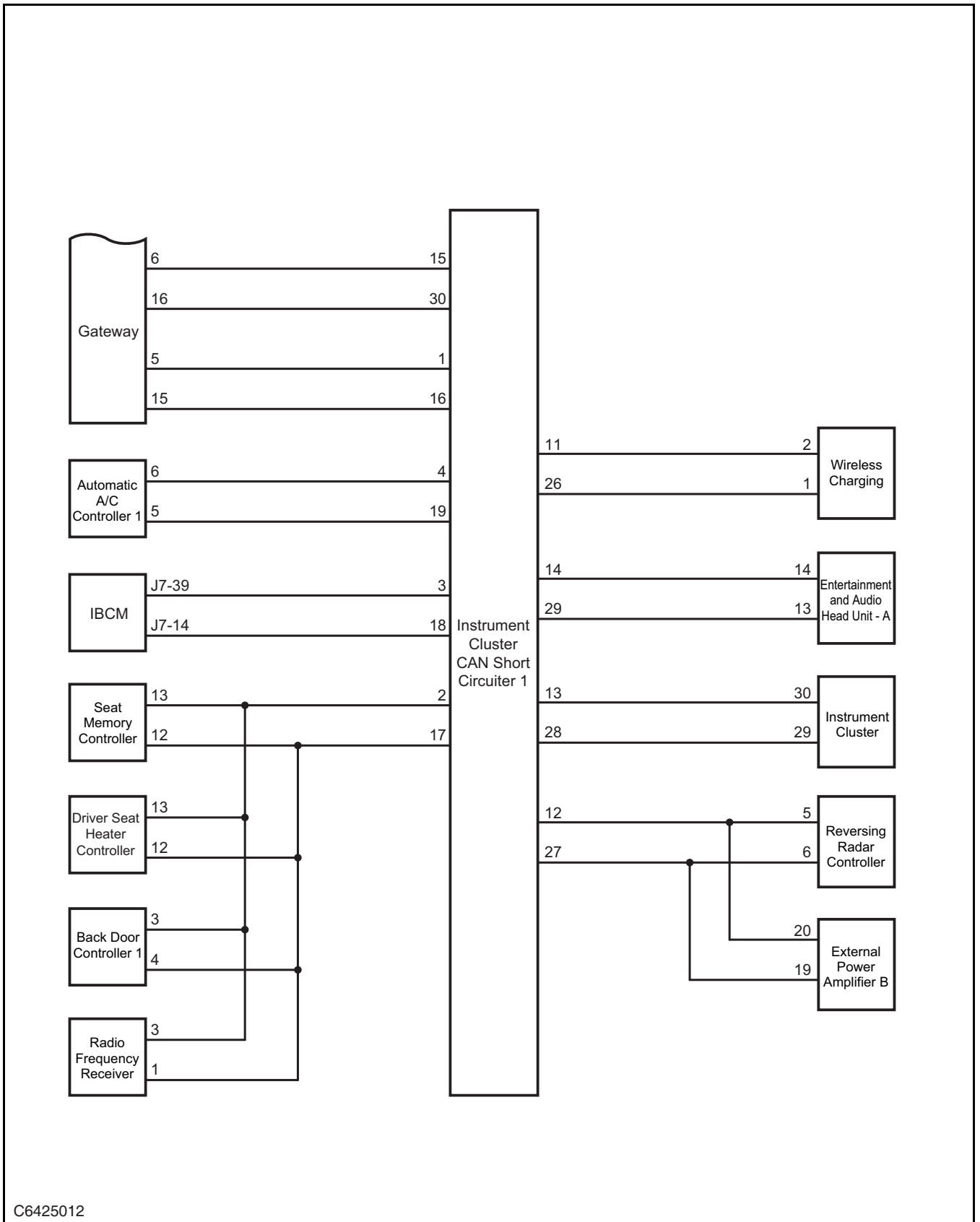
On-board Network System



C6425010

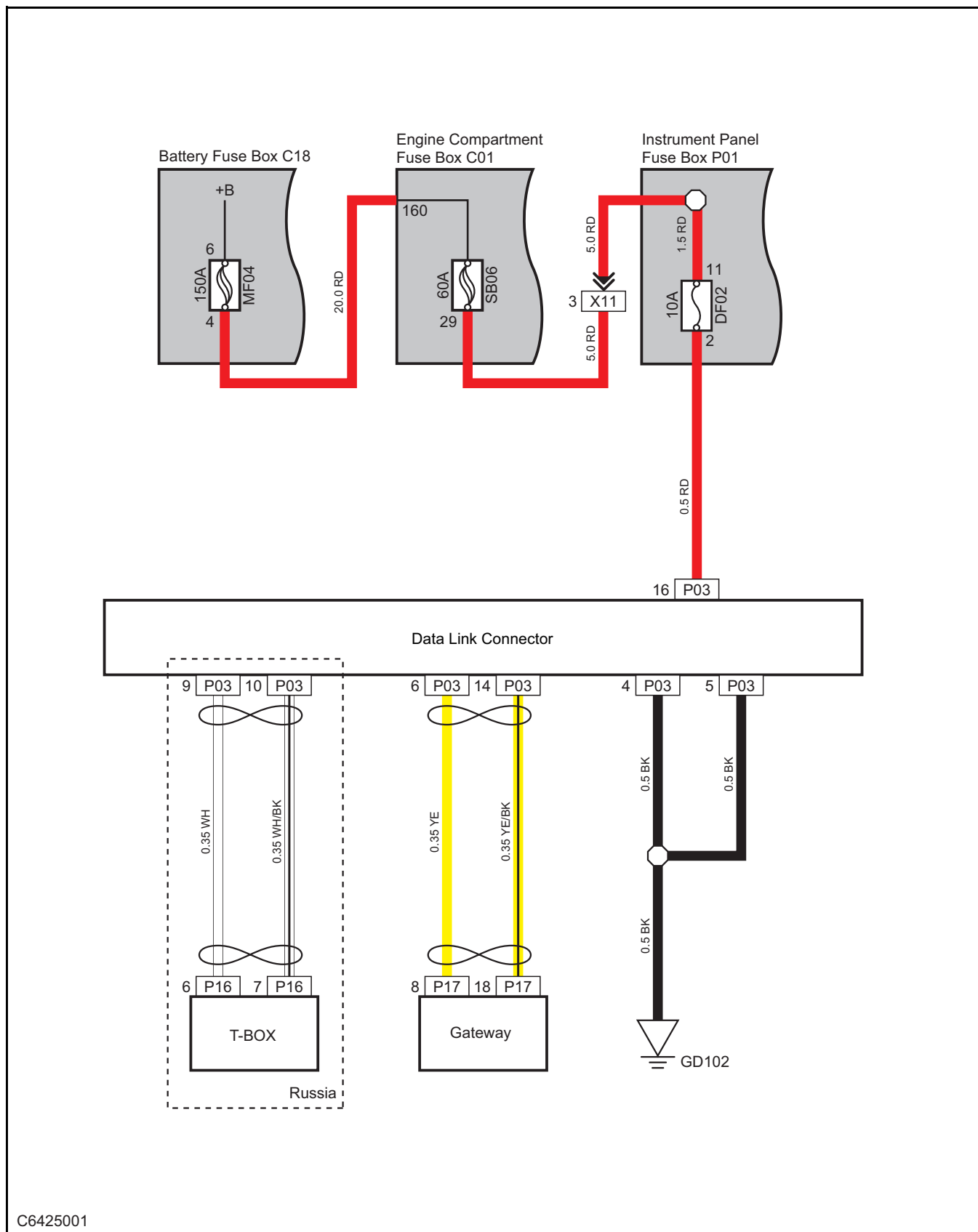


C6425011



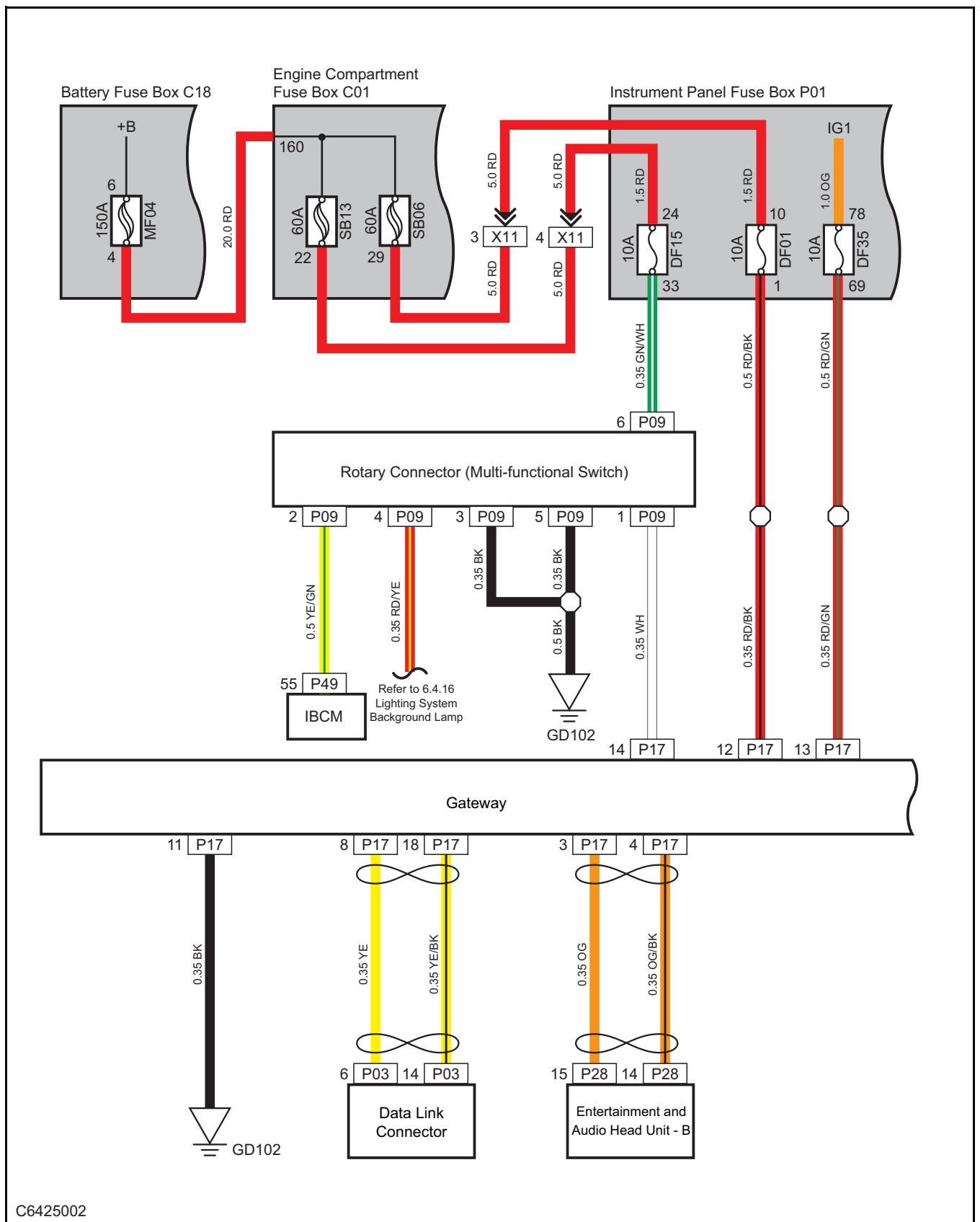
C6425012

Data Link Connector



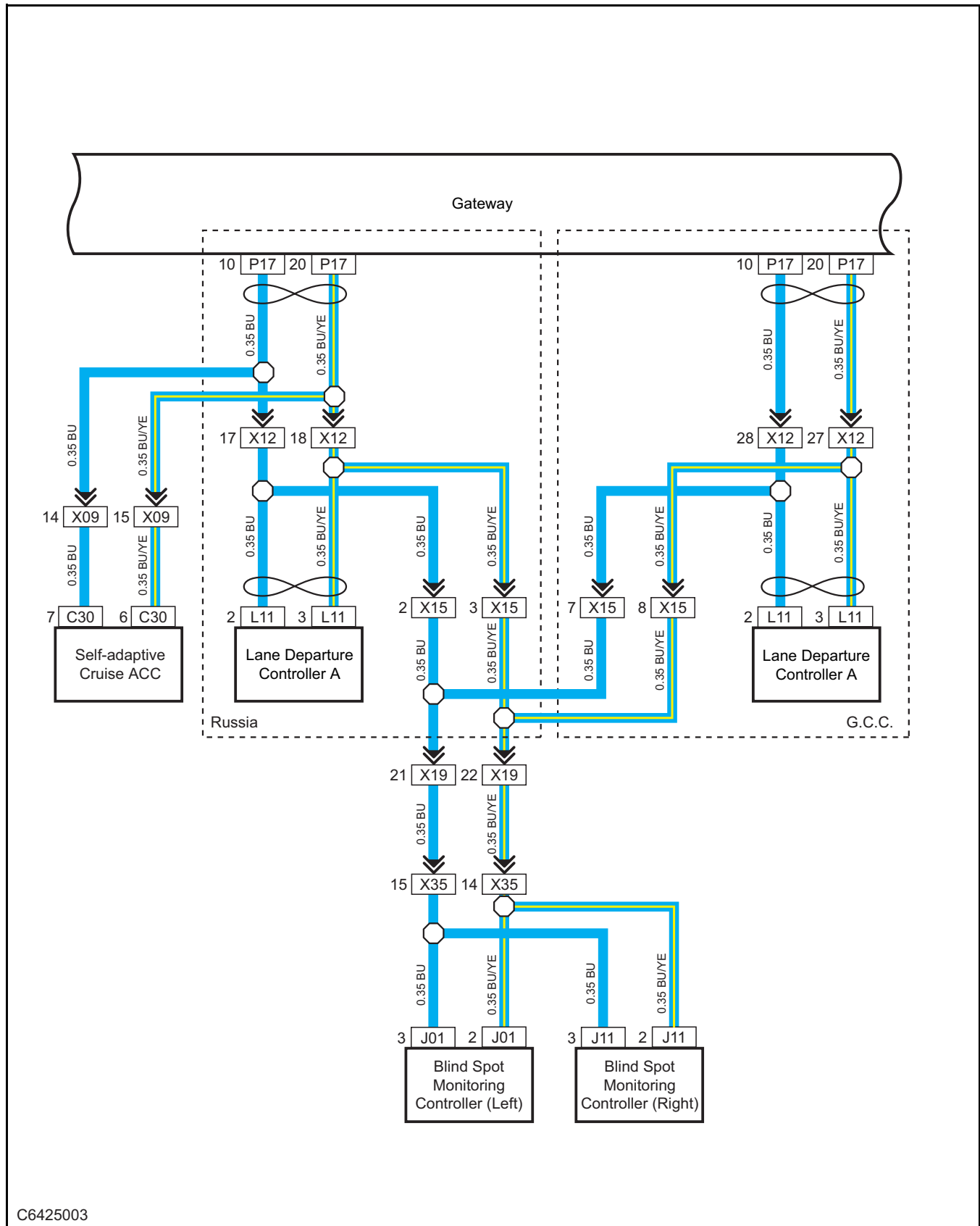
C6425001

Gateway



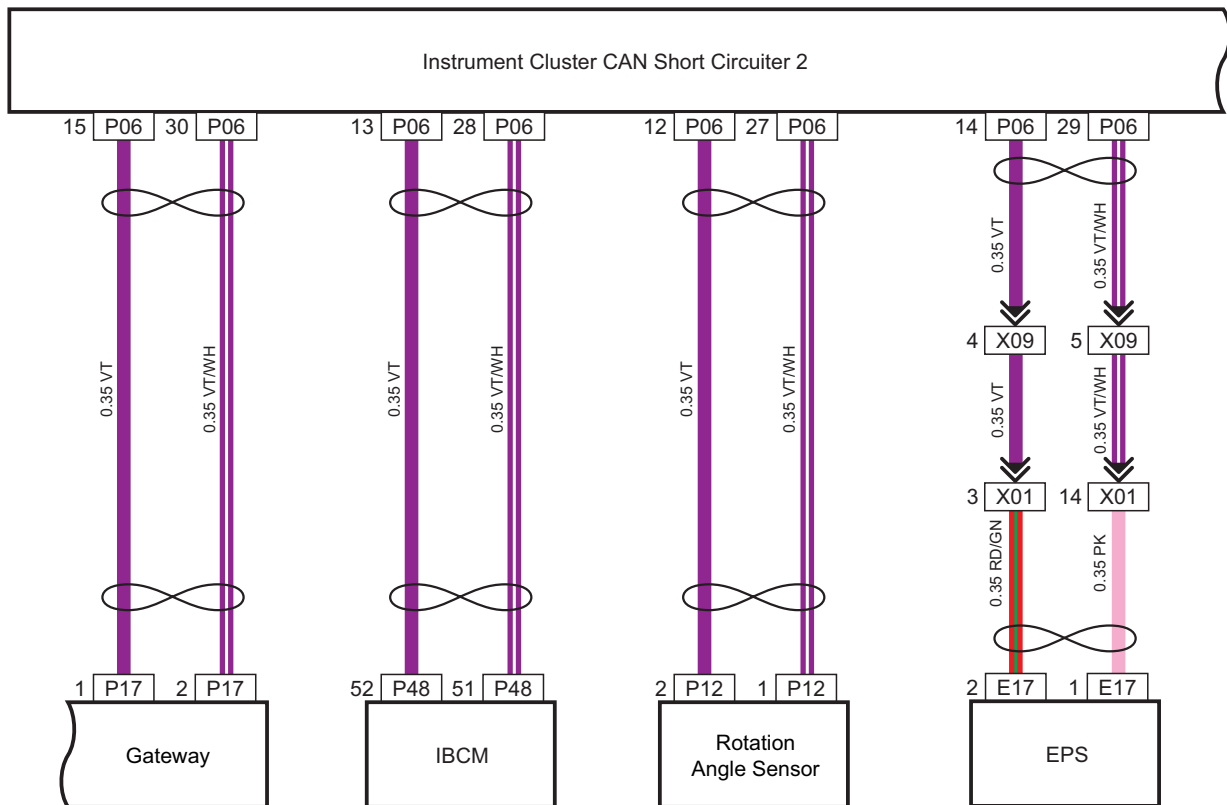
C6425002

ADAS CAN



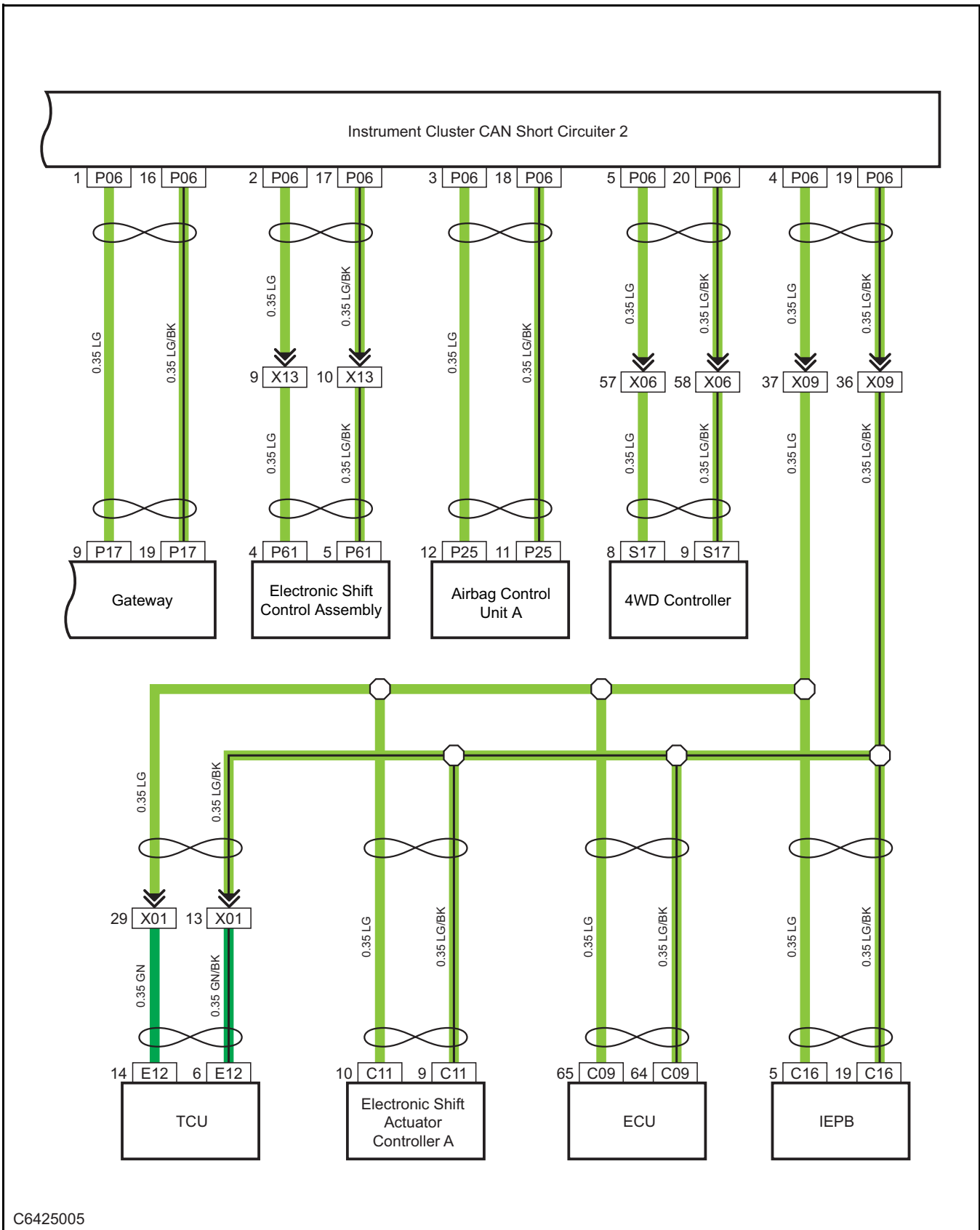
C6425003

EPS CAN



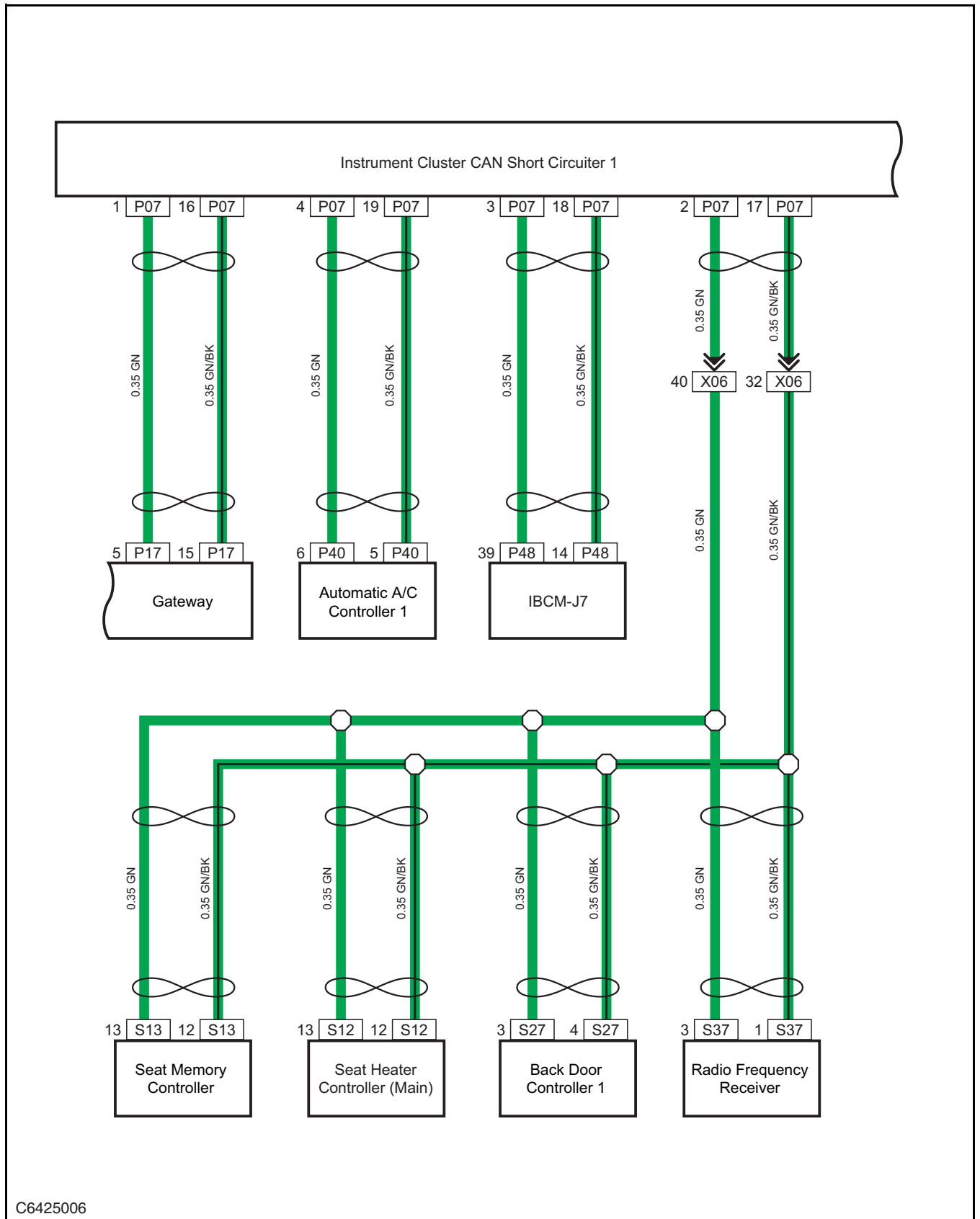
C6425004

P CAN

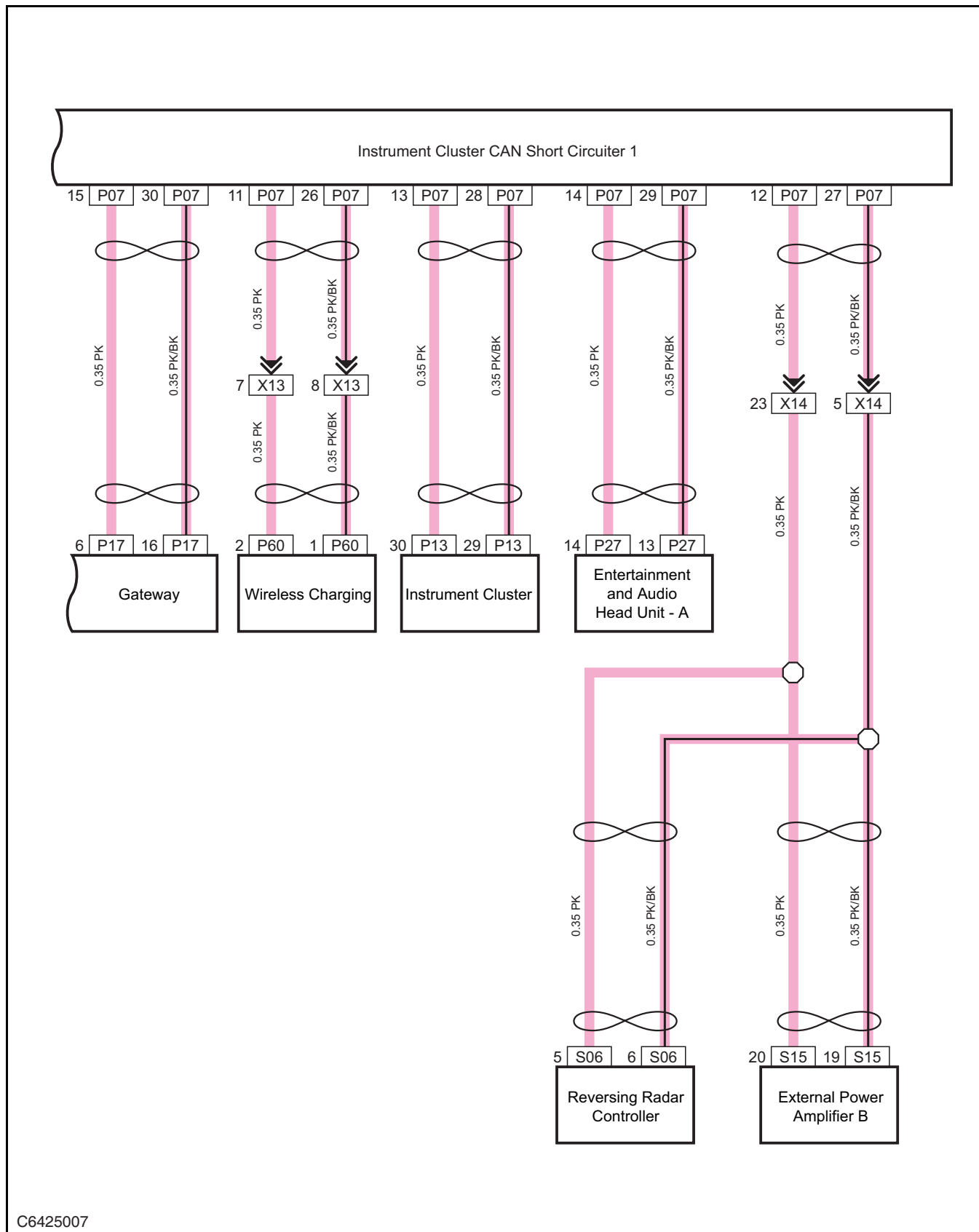


C6425005

B CAN

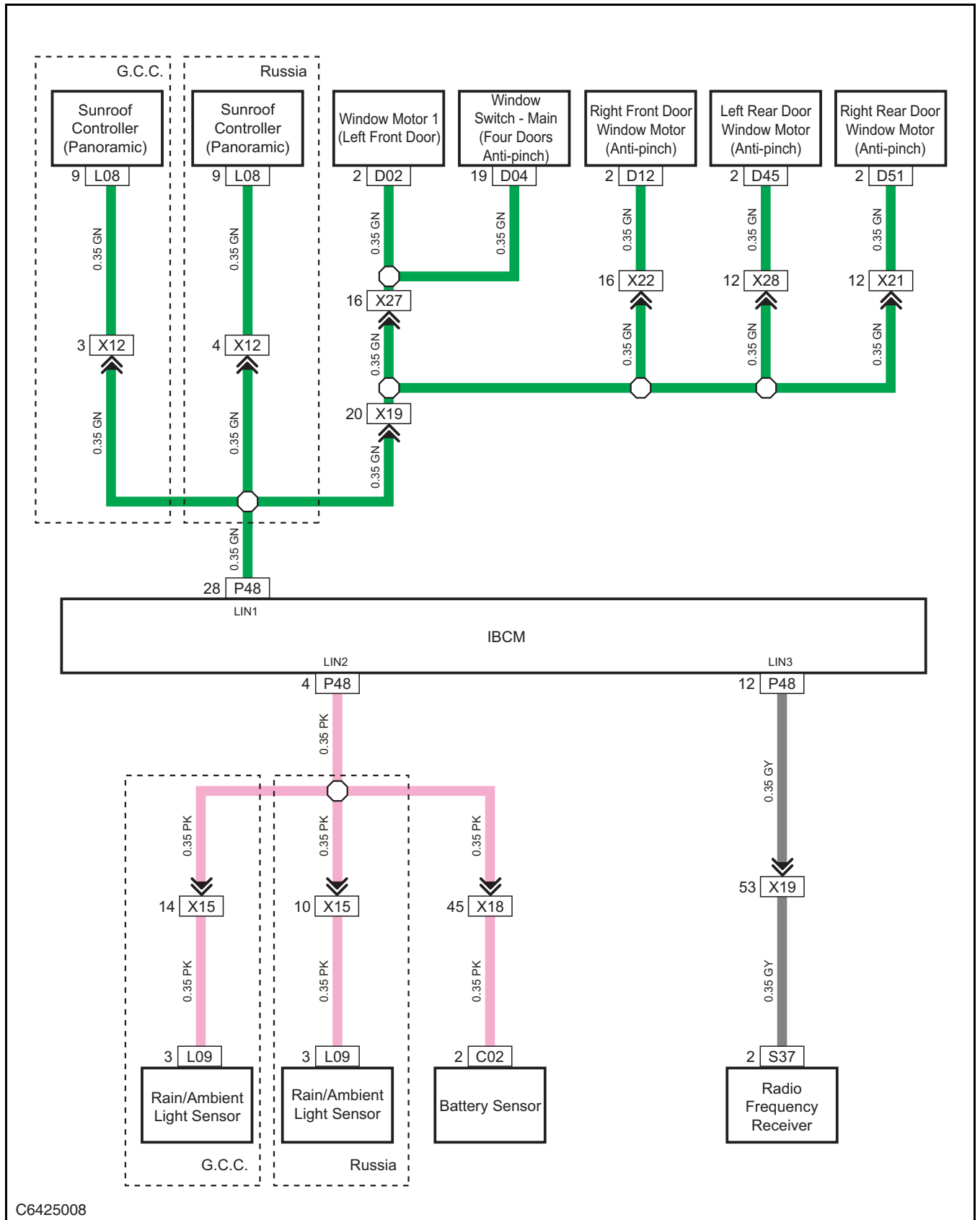


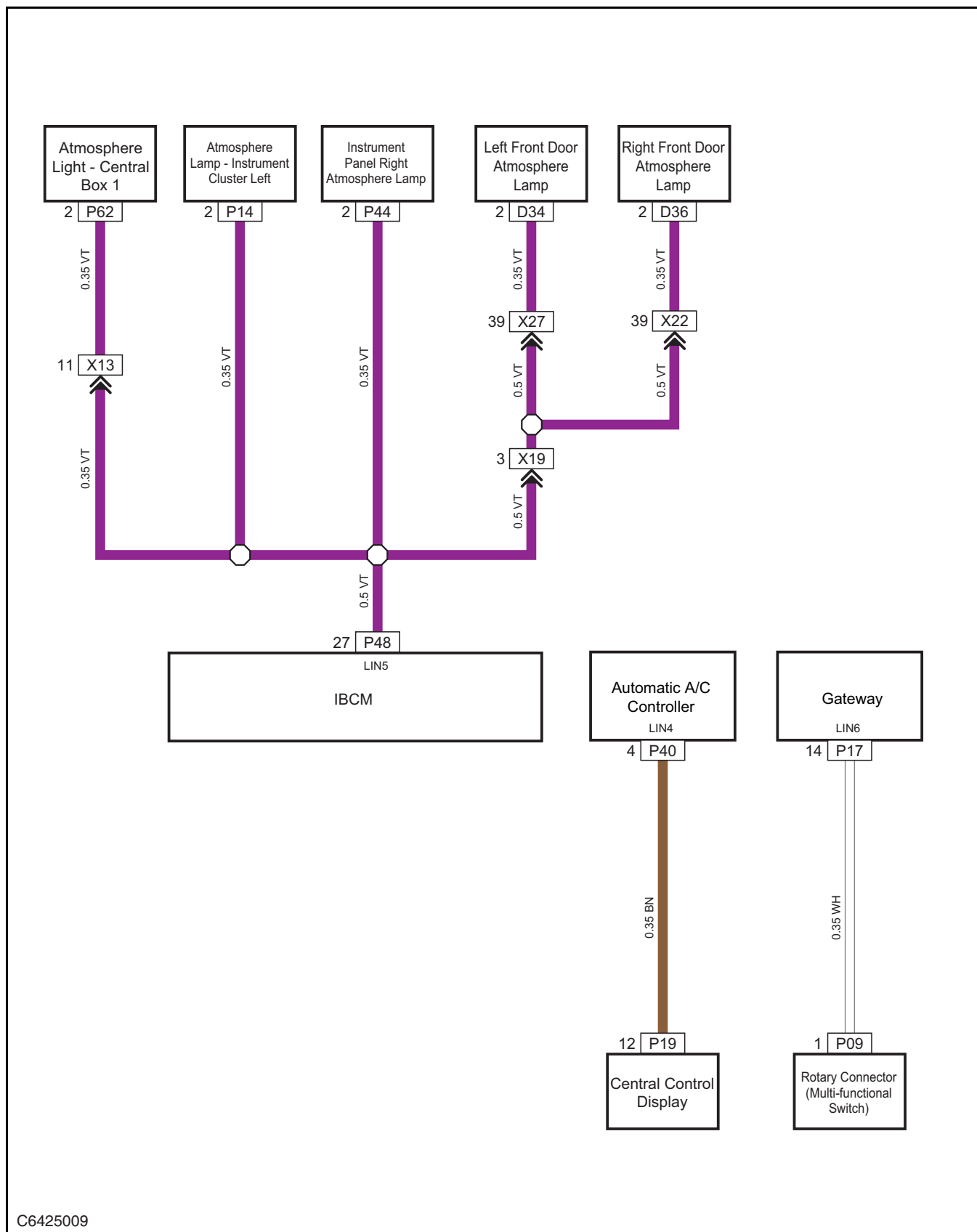
I CAN



C6425007

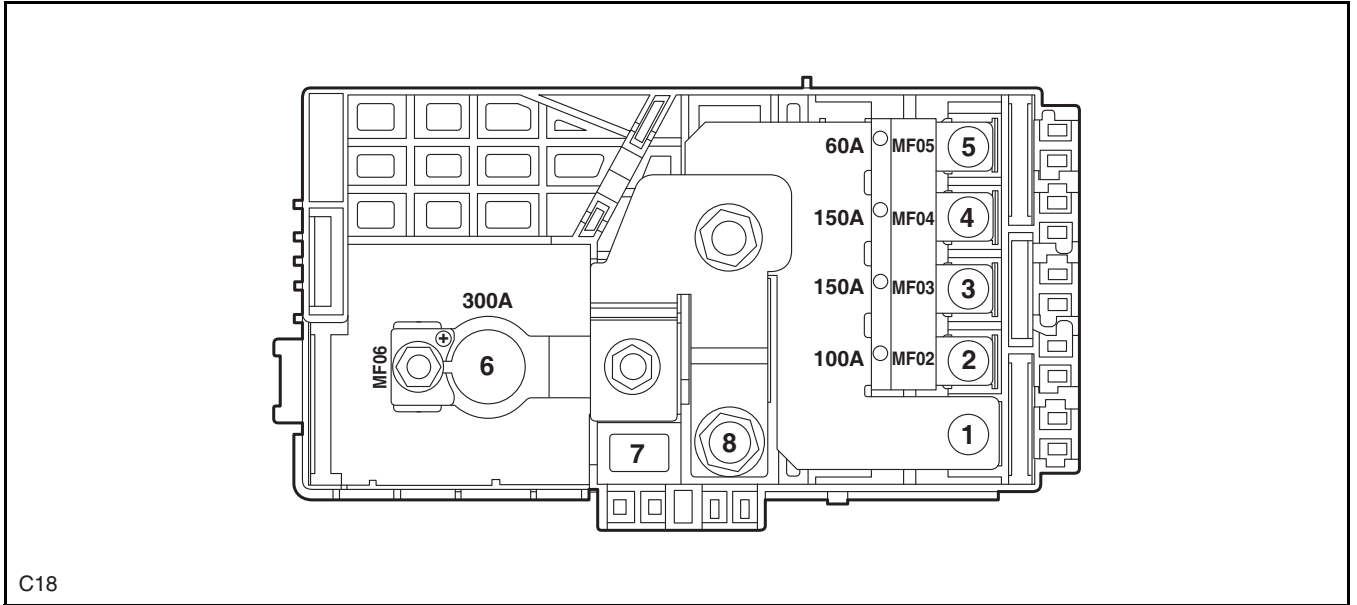
LIN Line





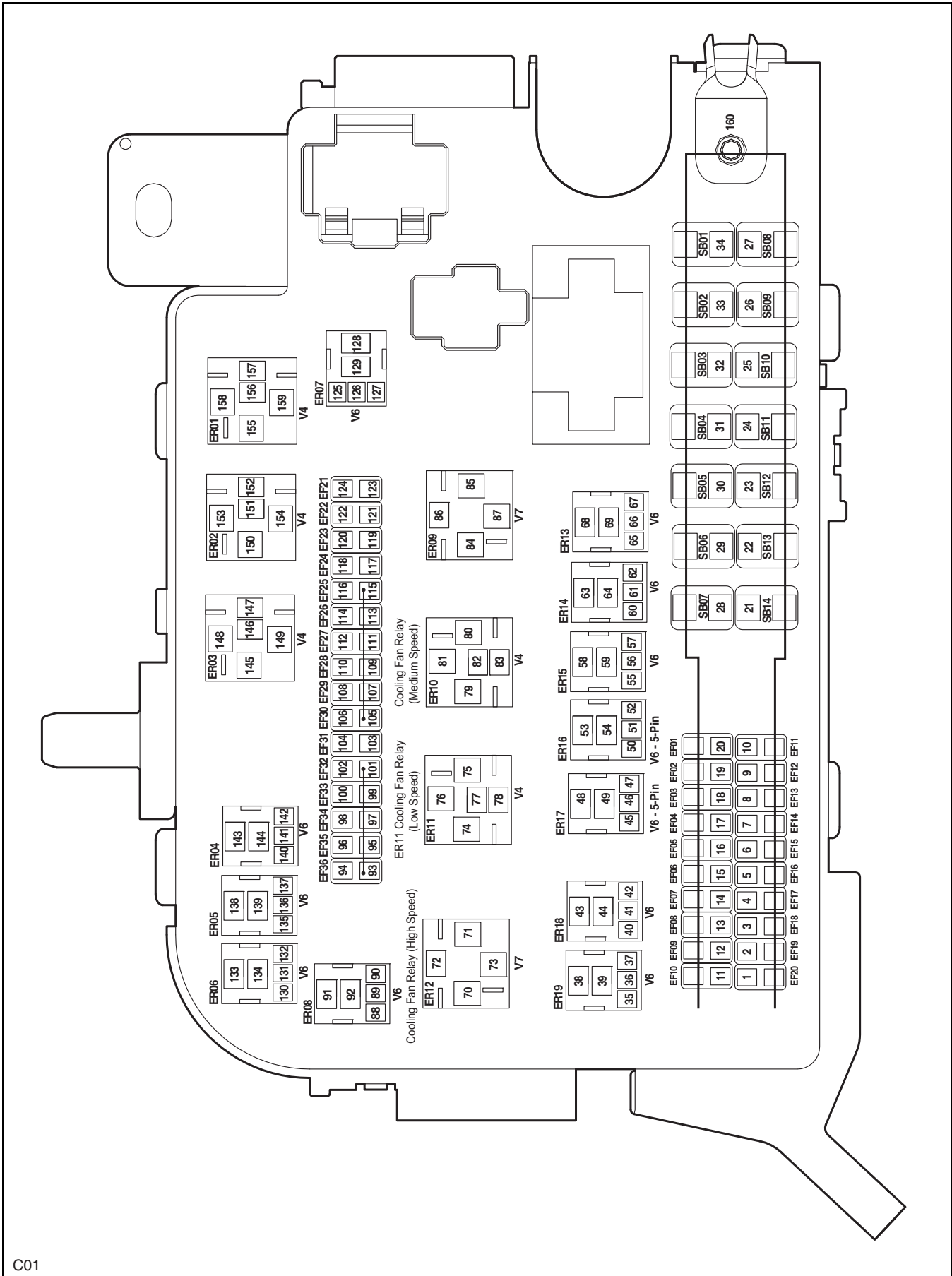
C6425009

Battery Fuse Box



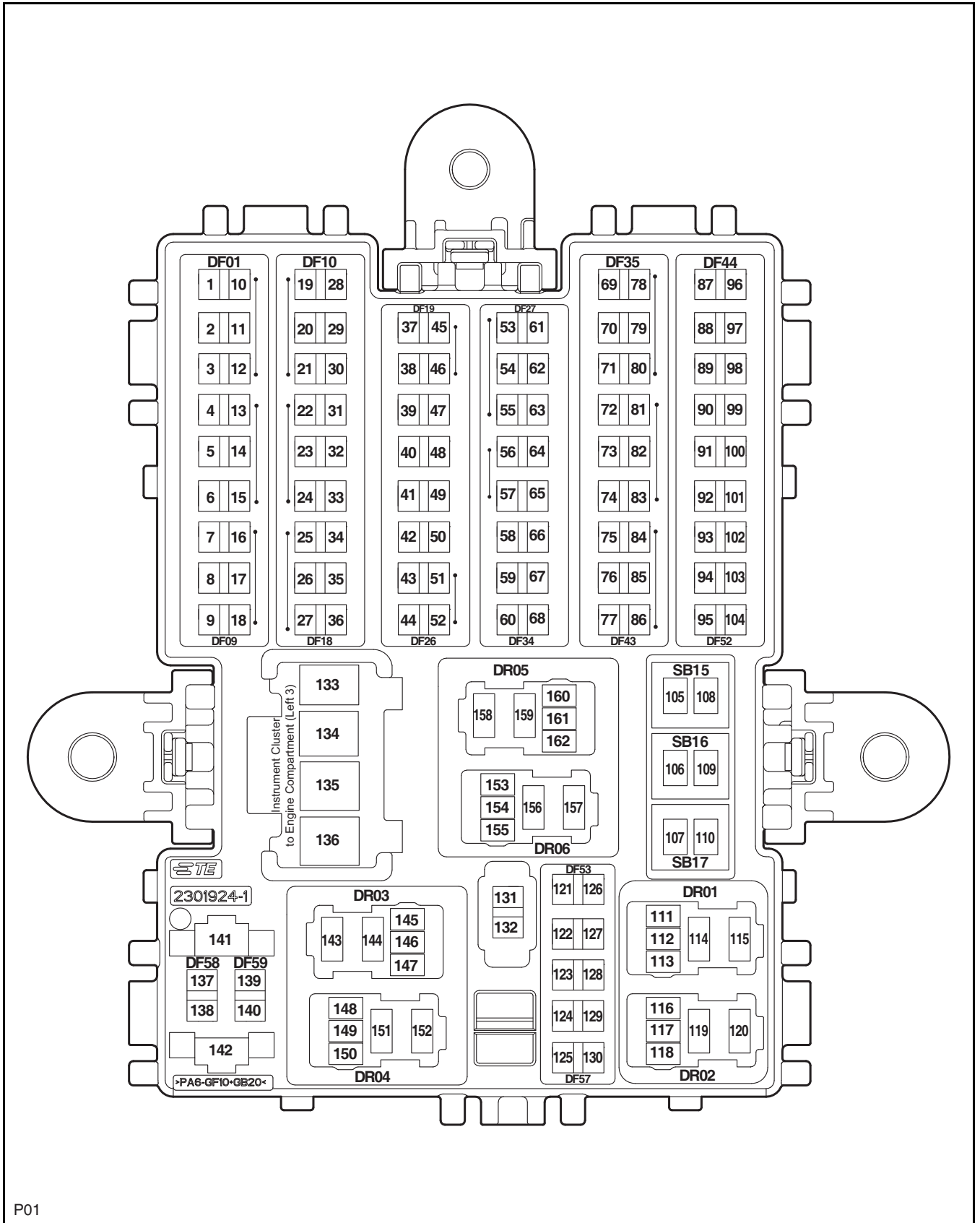
C18

Engine Compartment Fuse Box



C01

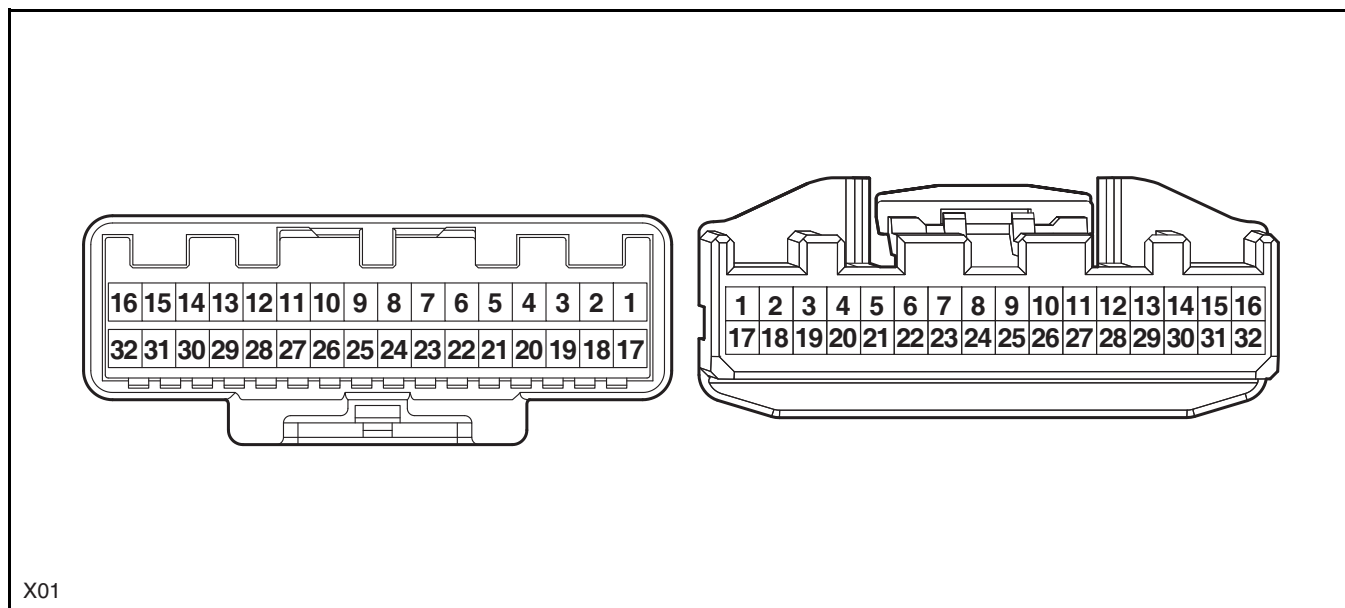
Instrument Panel Fuse Box



P01

Engine Compartment Wiring Harness to Engine Wiring Harness 1

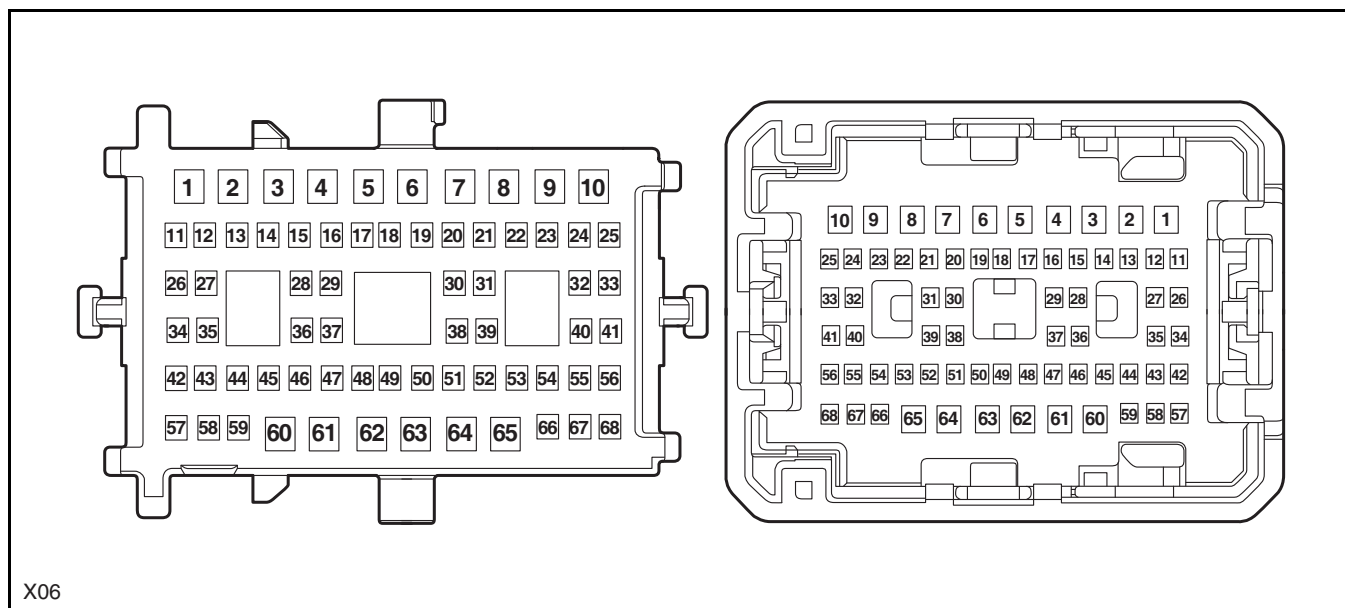
Engine Wiring Harness 1 to Engine Compartment Wiring Harness



X01

Instrument Panel Wiring Harness to Chassis Wiring Harness (Left 1)

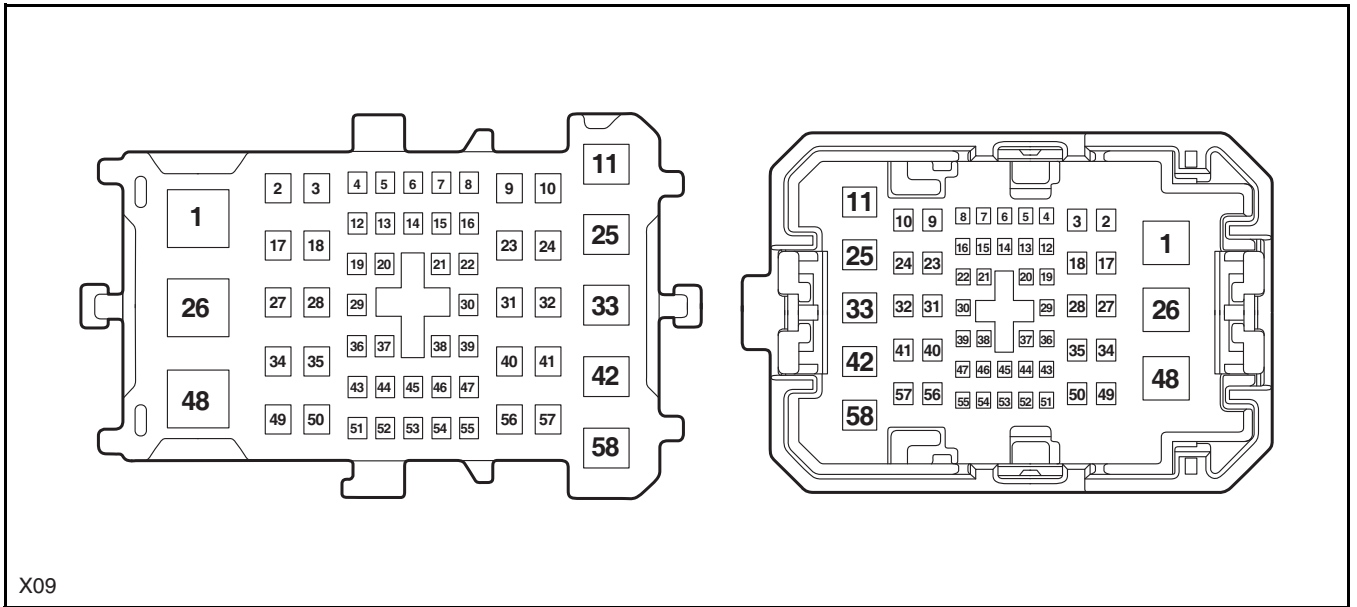
Chassis Wiring Harness to Instrument Panel Wiring Harness (Left 1)



X06

Instrument Panel Wiring Harness to Engine
Compartment Wiring Harness (Left 1)

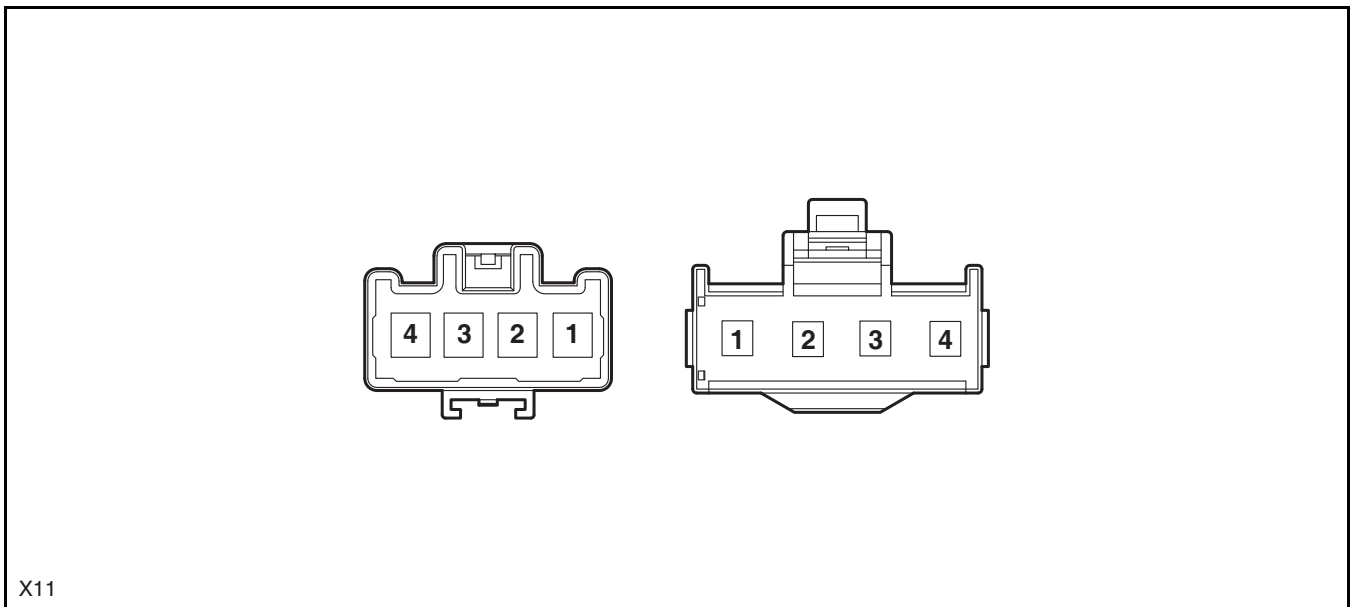
Engine Compartment Wiring Harness to Instrument
Panel Wiring Harness (Left 1)



X09

Instrument Panel Wiring Harness to Engine
Compartment Wiring Harness (Left 3)

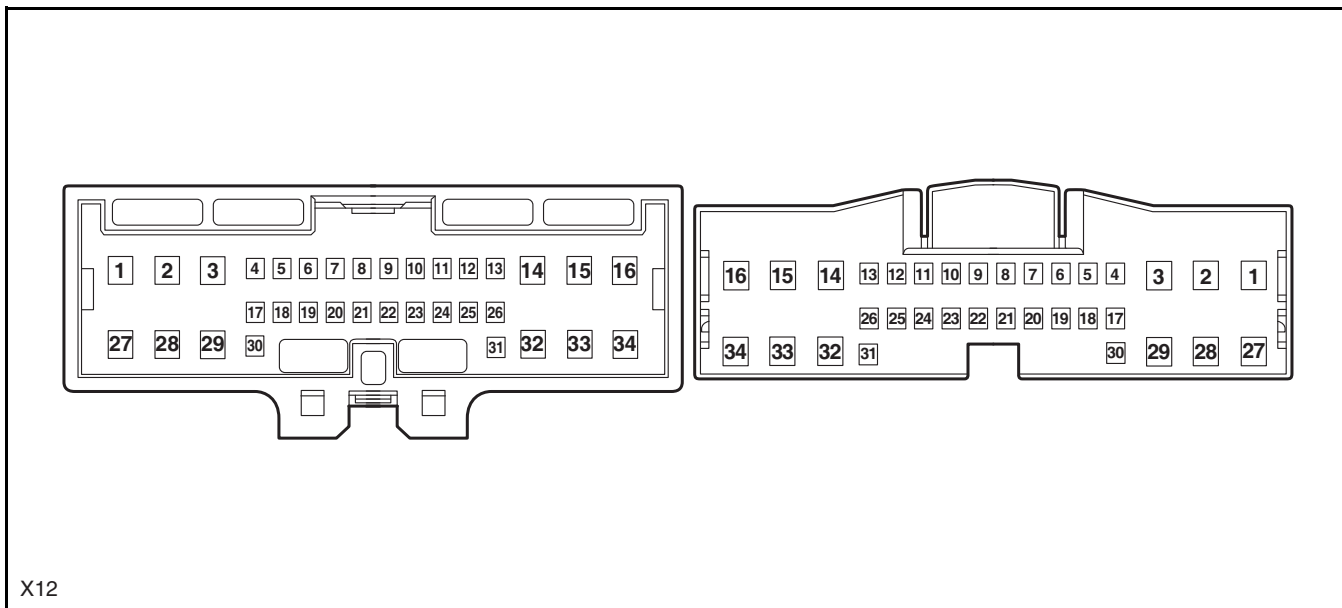
Engine Compartment Wiring Harness to Instrument
Panel Wiring Harness (Left 3)



X11

Instrument Panel Wiring Harness to Roof Wiring Harness (Left 1)

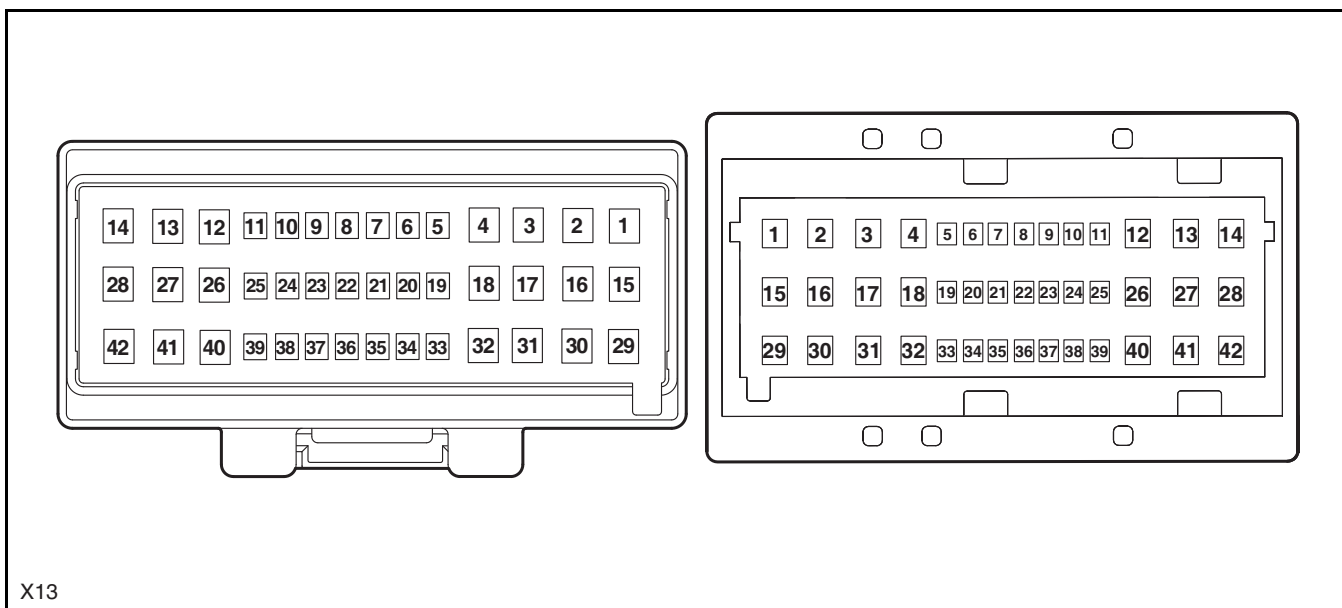
Roof Wiring Harness to Instrument Panel Wiring Harness (Left 1)



X12

Instrument Panel Wiring Harness to Auxiliary Fascia Console Wiring Harness Panel

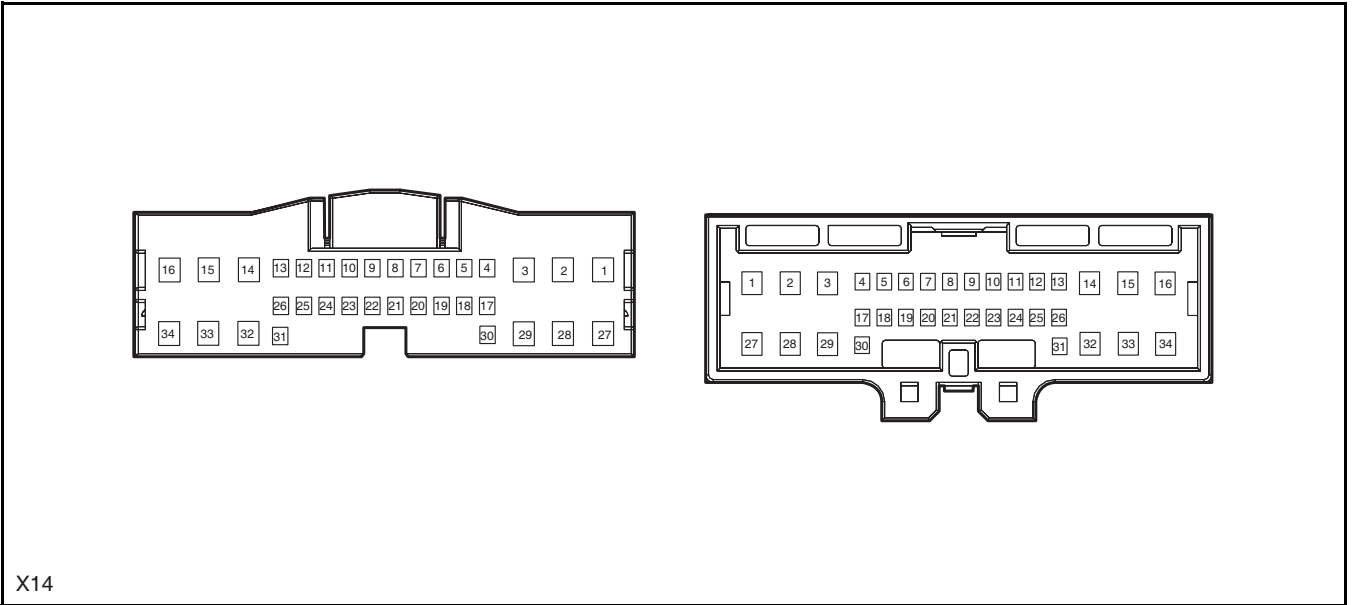
Auxiliary Fascia Console Wiring Harness Panel to Instrument Panel Wiring Harness



X13

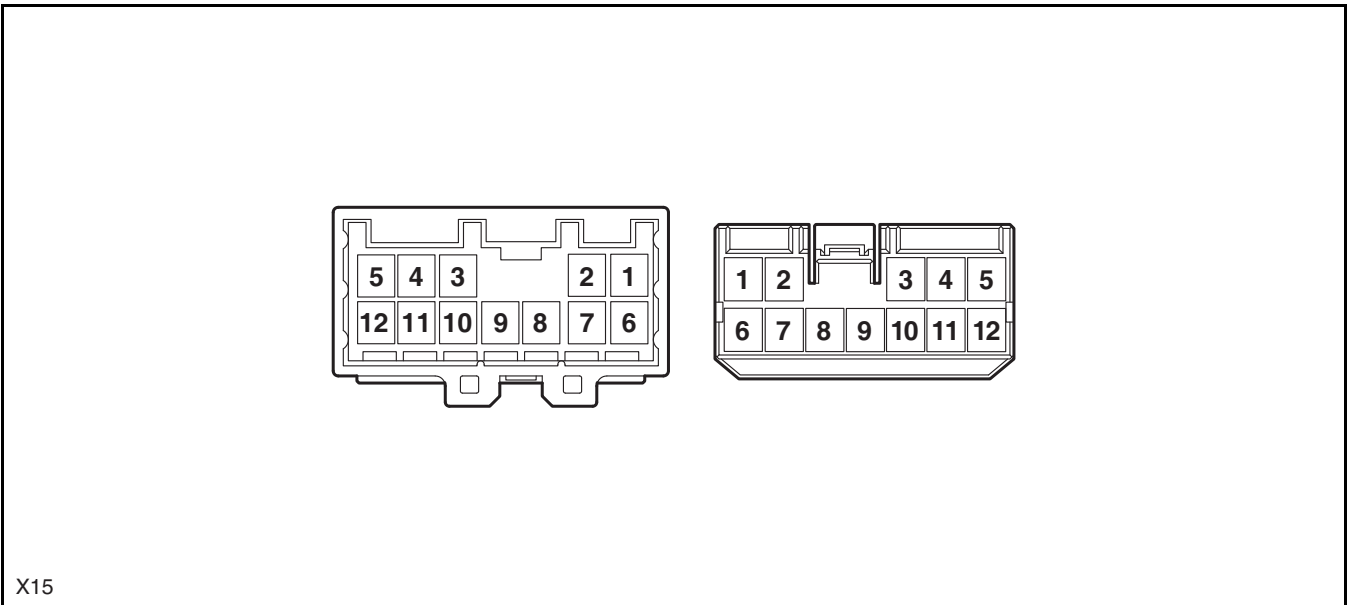
Instrument Panel Wiring Harness to Chassis Wiring Harness (Center)

Chassis Wiring Harness to Instrument Panel Wiring Harness (Center)



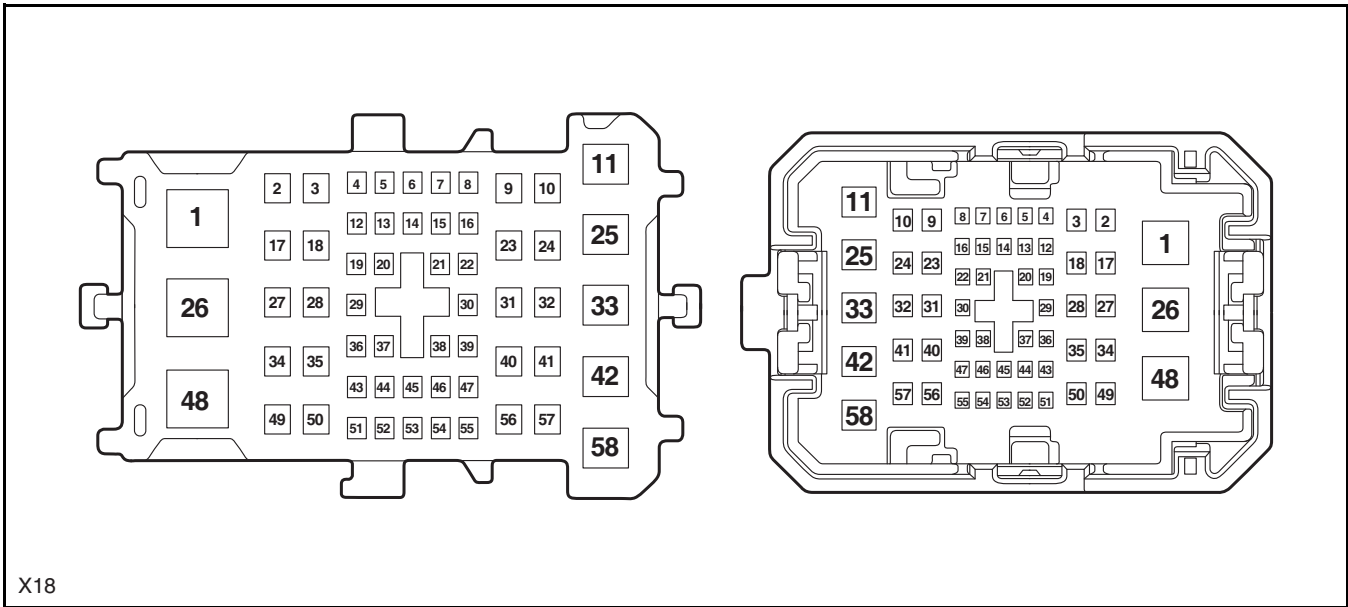
Instrument Panel Wiring Harness to Roof Wiring Harness (Right)

Roof Wiring Harness to Instrument Panel Wiring Harness (Right)



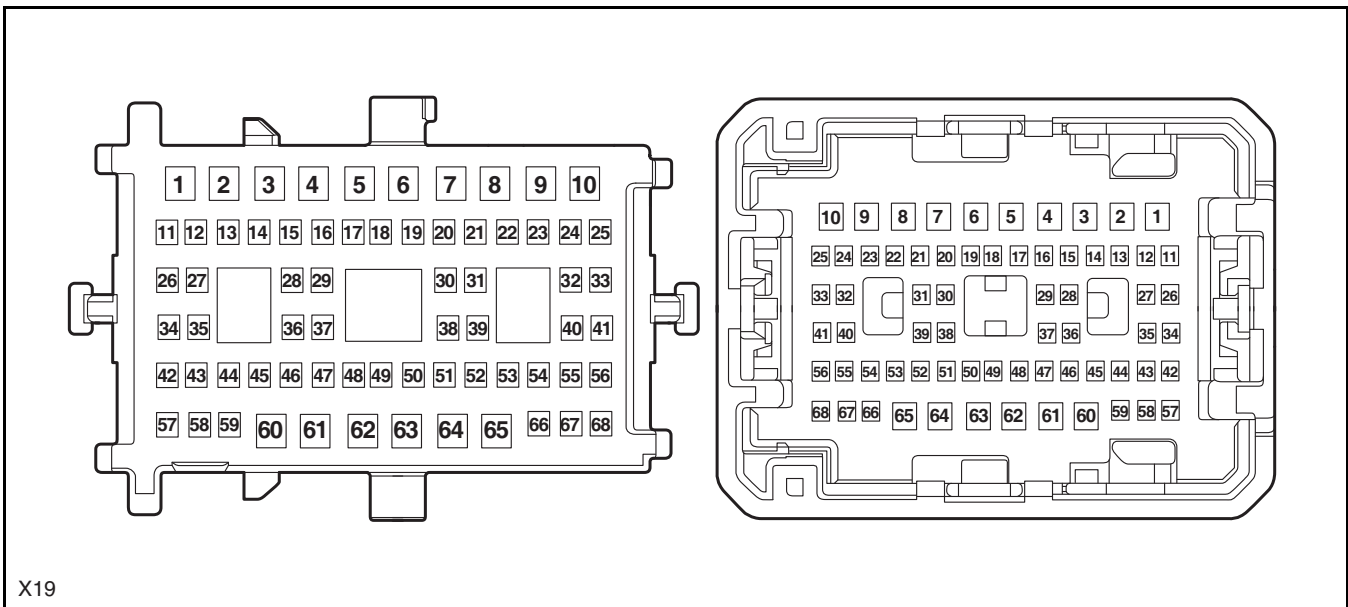
Instrument Panel Wiring Harness to Engine
Compartment Wiring Harness (Right 1)

Engine Compartment Wiring Harness to Instrument
Panel Wiring Harness (Right 1)



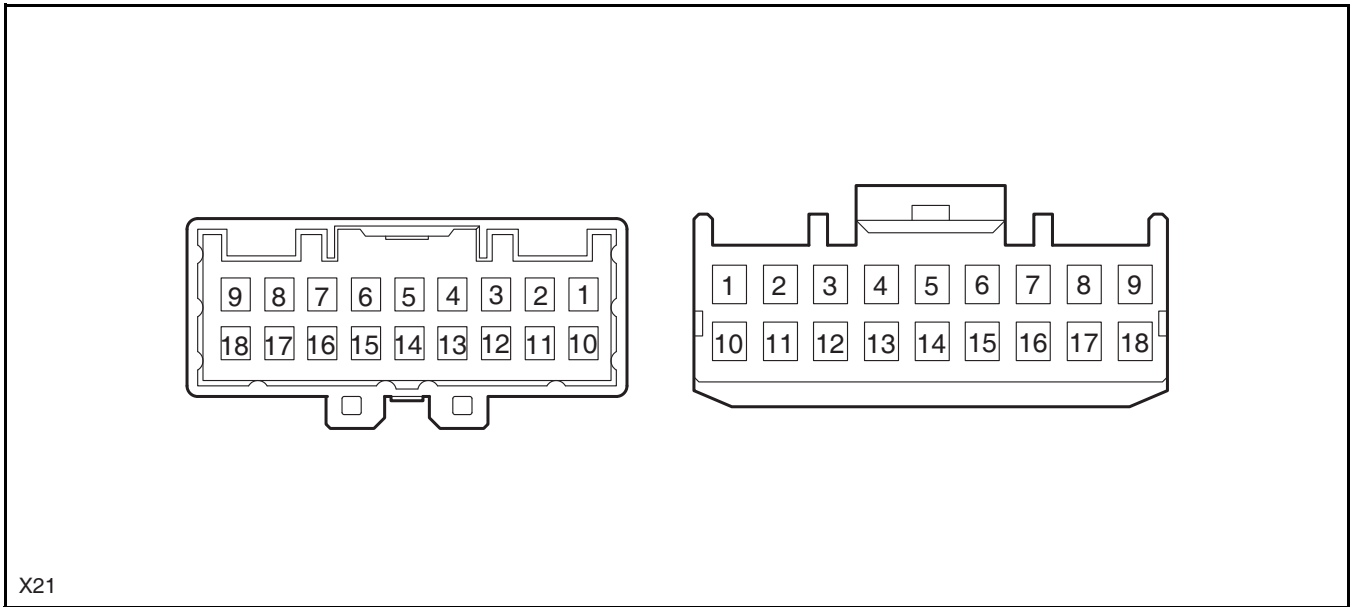
Instrument Panel Wiring Harness to Chassis Wiring
Harness (Right 1)

Chassis Wiring Harness to Instrument Panel Wiring
Harness (Right 1)



Chassis Wiring Harness to Right Rear Door Wiring Harness

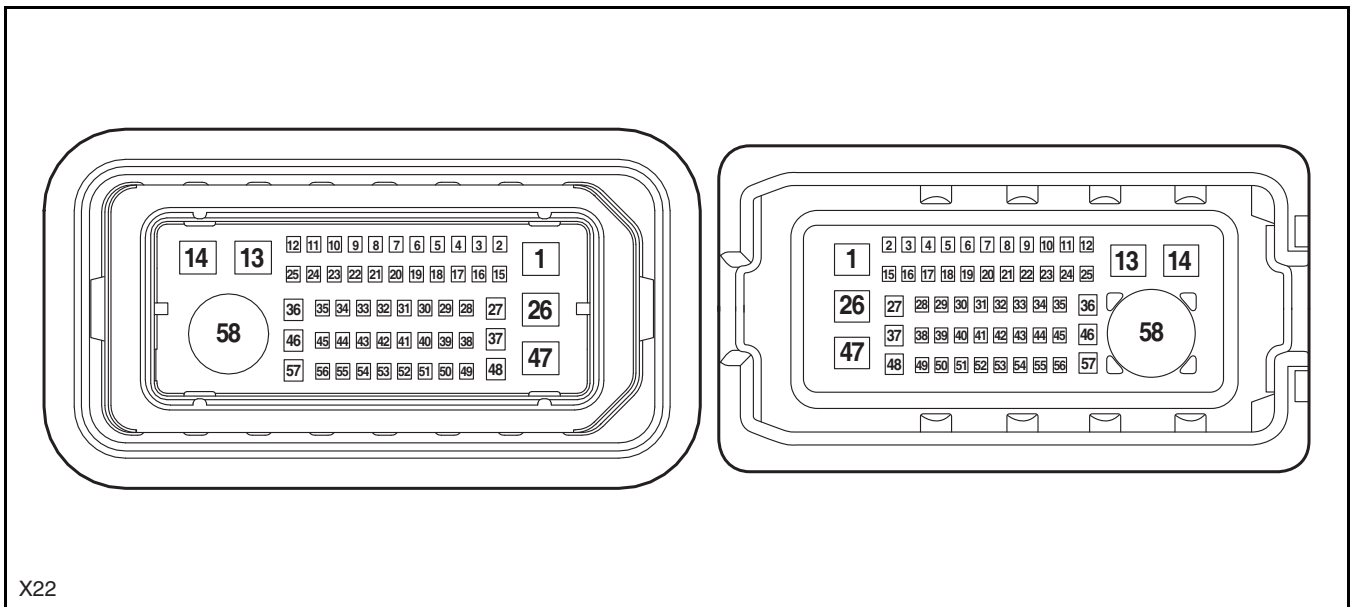
Right Rear Door Wiring Harness to Chassis Wiring Harness



X21

Chassis Wiring Harness to Right Front Door Wiring Harness

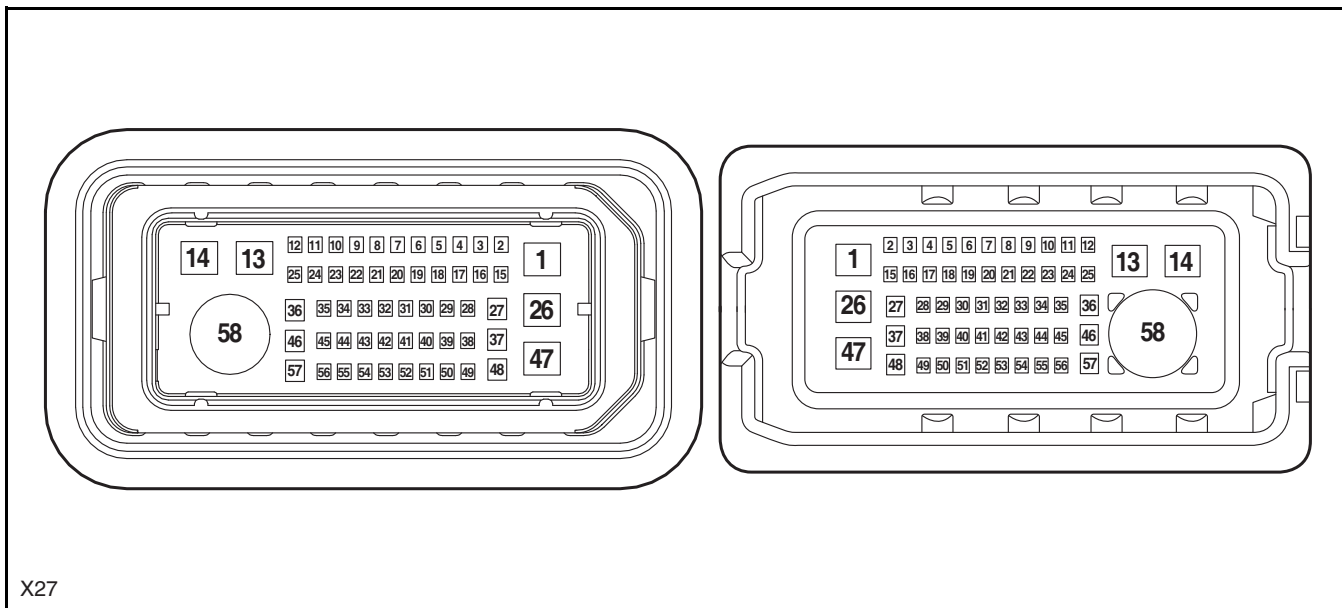
Right Front Door Wiring Harness to Chassis Wiring Harness



X22

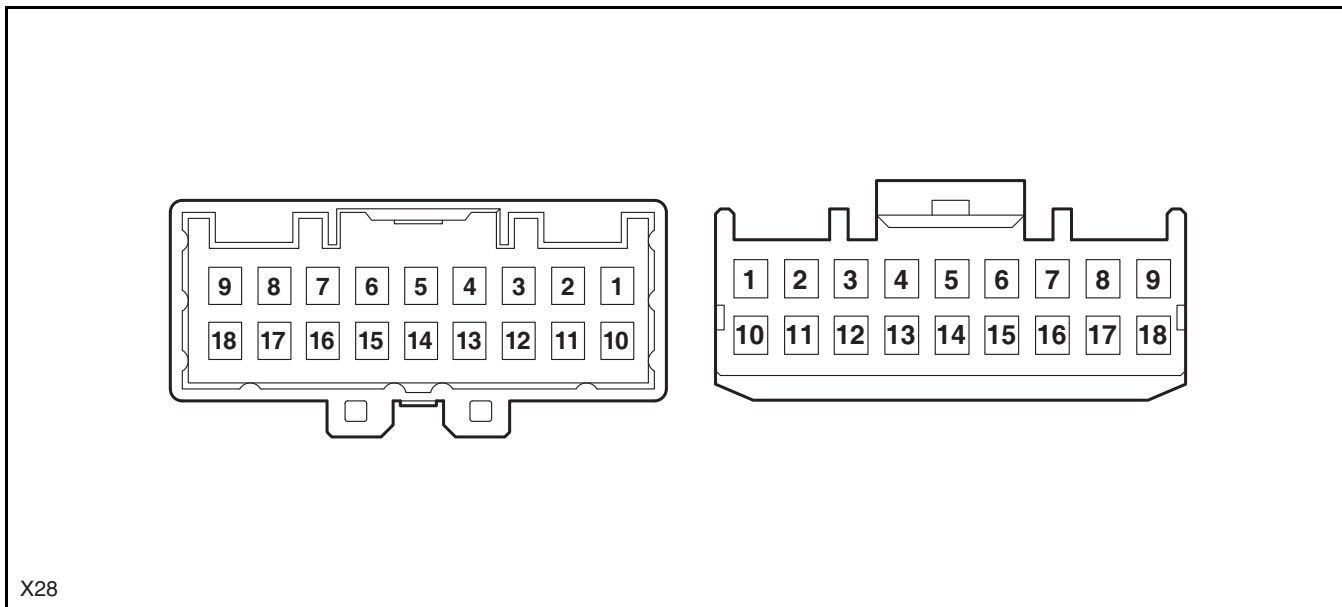
Chassis Wiring Harness to Left Front Door Wiring Harness

Left Front Door Wiring Harness to Chassis Wiring Harness



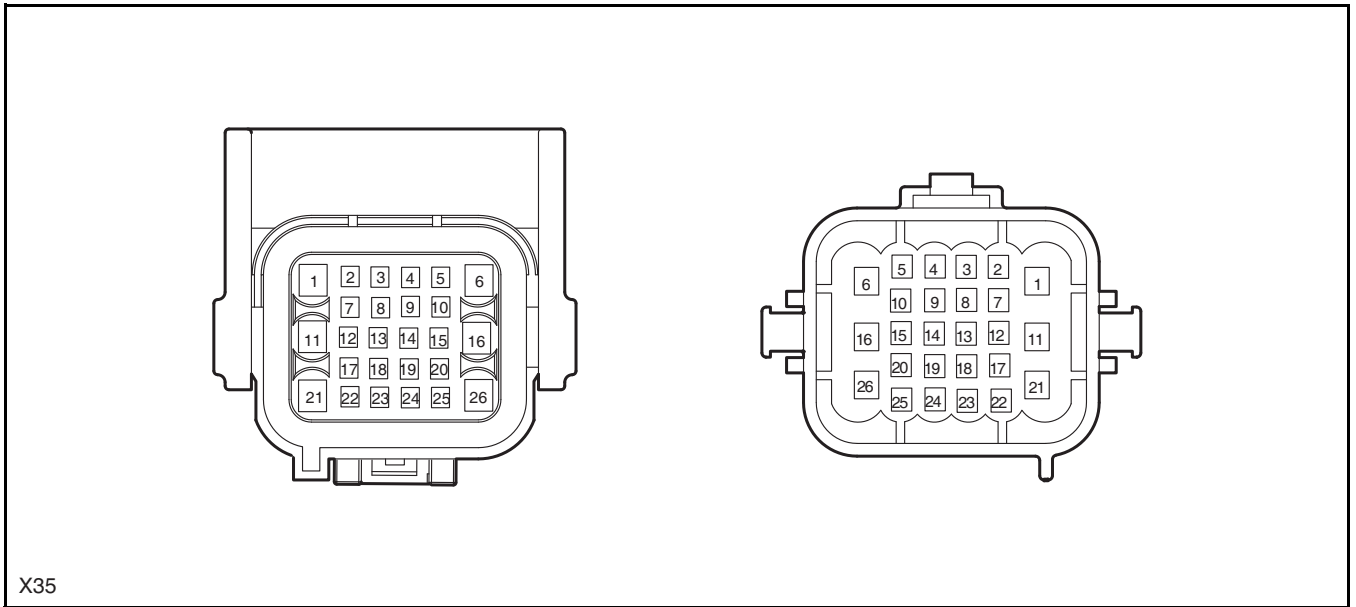
Chassis Wiring Harness to Left Rear Door Wiring Harness

Left Rear Door Wiring Harness to Chassis Wiring Harness



Chassis Wiring Harness to Rear Bumper Wiring
Harness

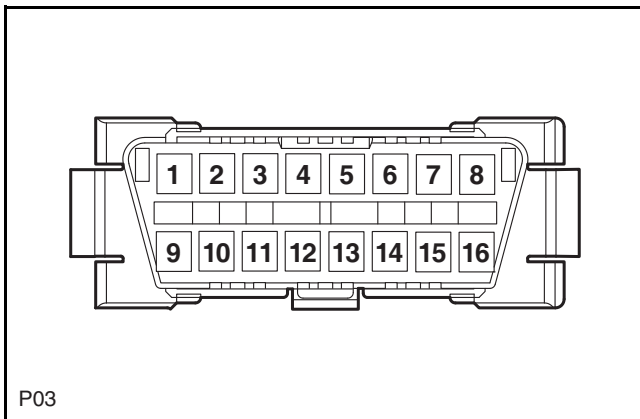
Rear Bumper Wiring Harness to Chassis Wiring
Harness



X35

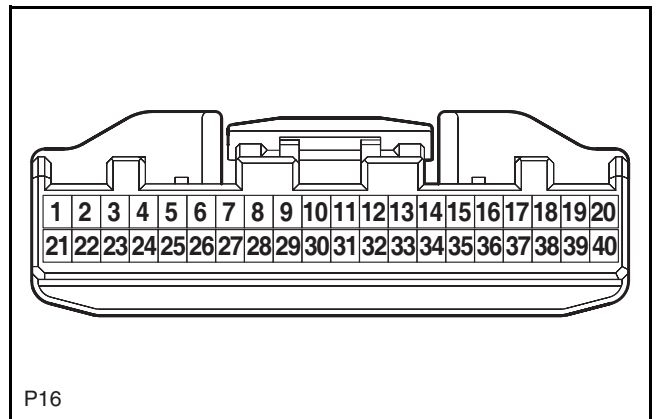
Data Link Connector

T-BOX



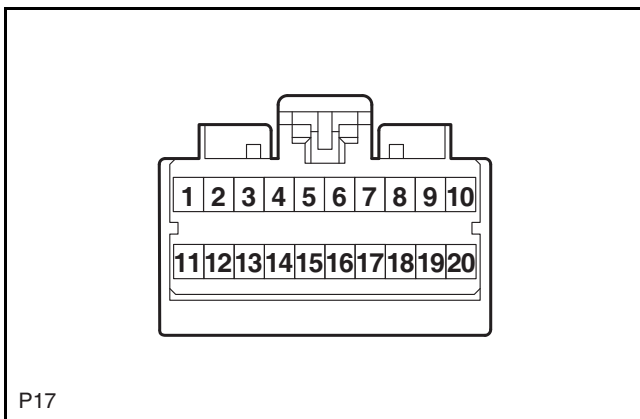
P03

Gateway

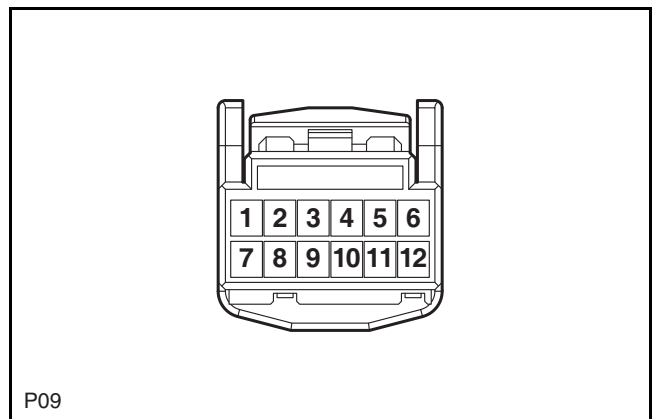


P16

Rotary Connector (Multi-functional Switch)

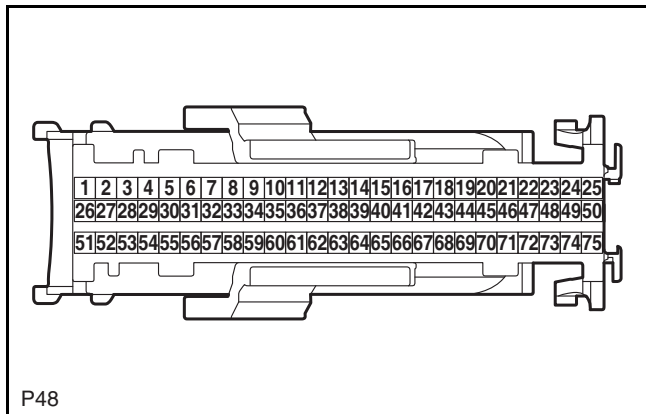


P17



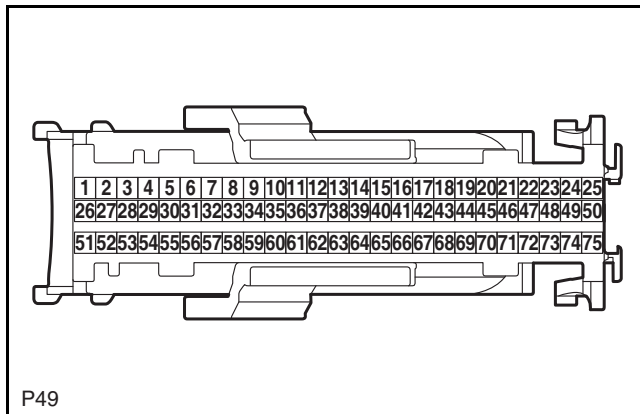
P09

IBCM-J7

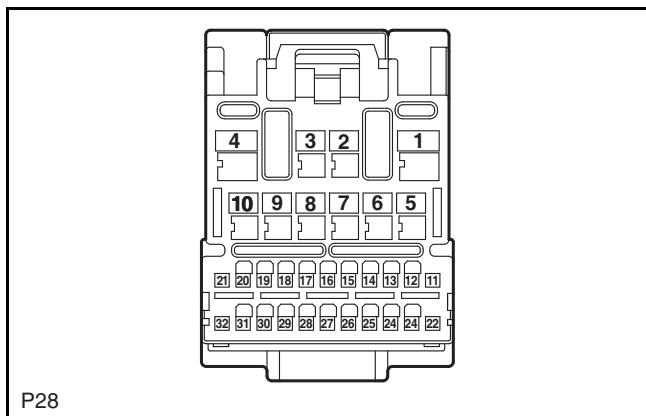


Entertainment and Audio Head Unit - B

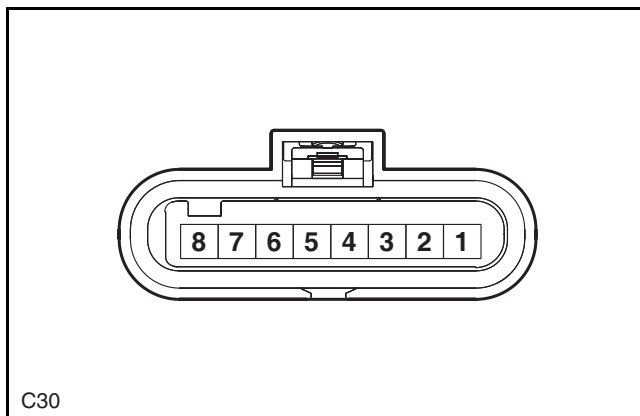
IBCM-J1



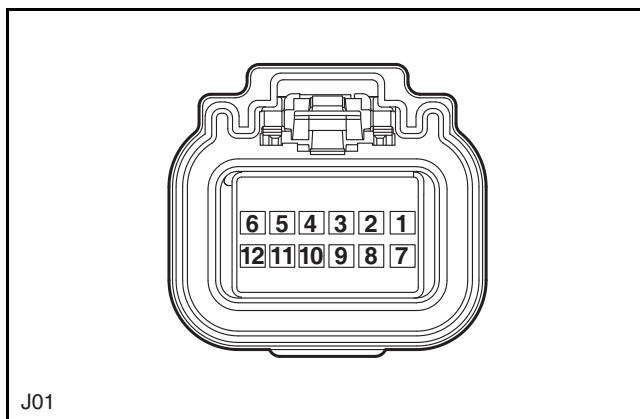
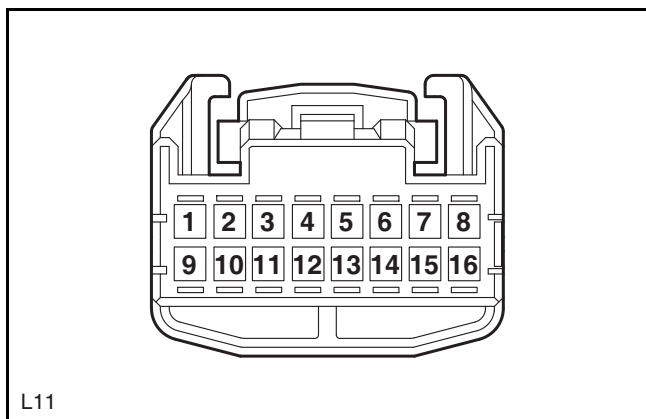
Self-adaptive Cruise ACC



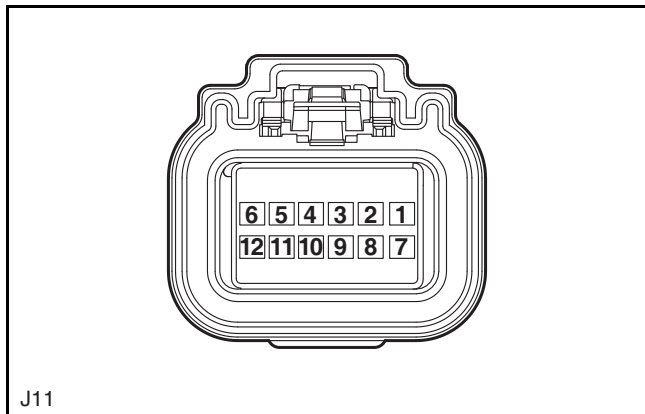
Lane Departure Controller A



Blind Spot Monitoring Controller (Left)



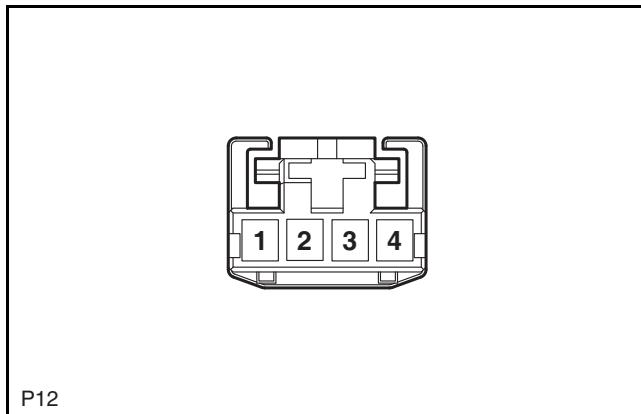
Blind Spot Monitoring Controller (Right)



J11

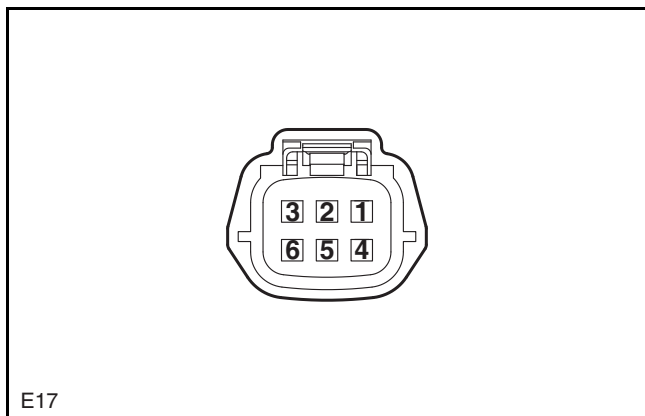
ESP

Rotation Angle Sensor



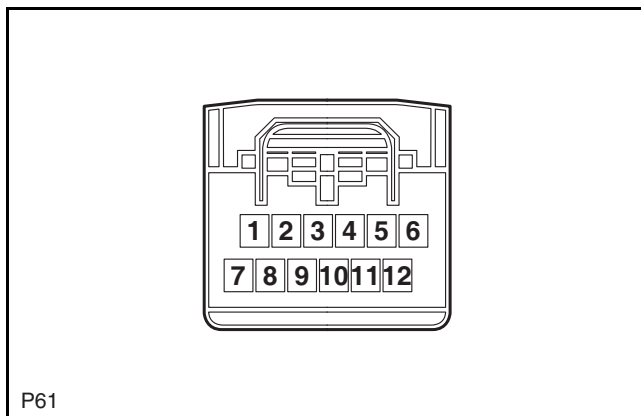
P12

Electronic Shift Control Assembly



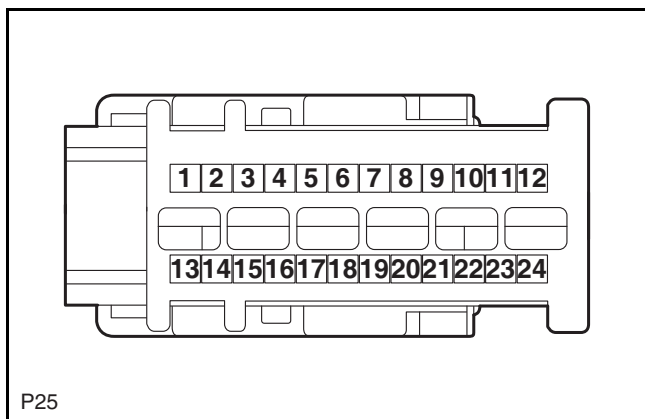
E17

Airbag Control Unit A

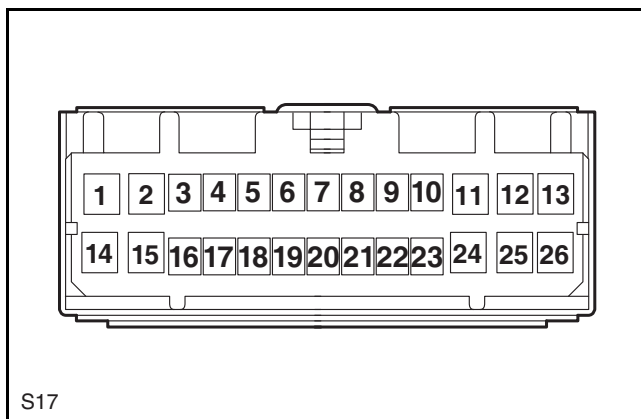


P61

4WD Controller

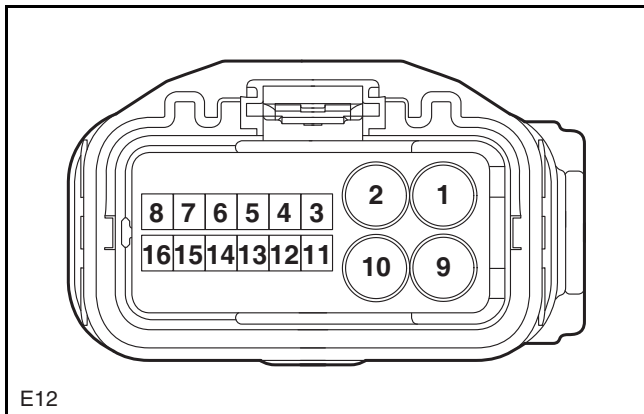


P25

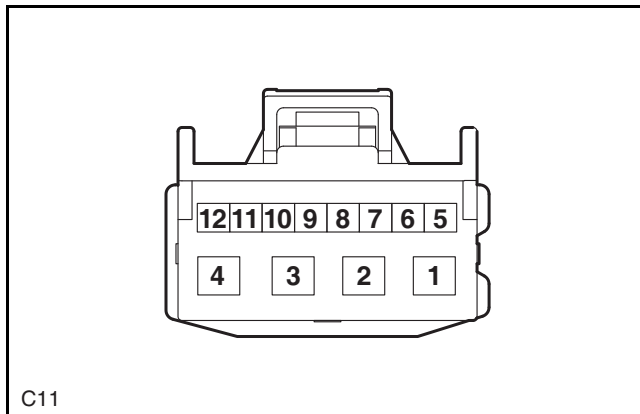


S17

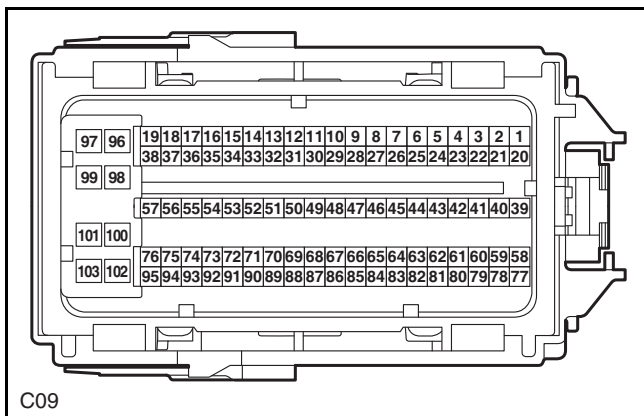
TCU



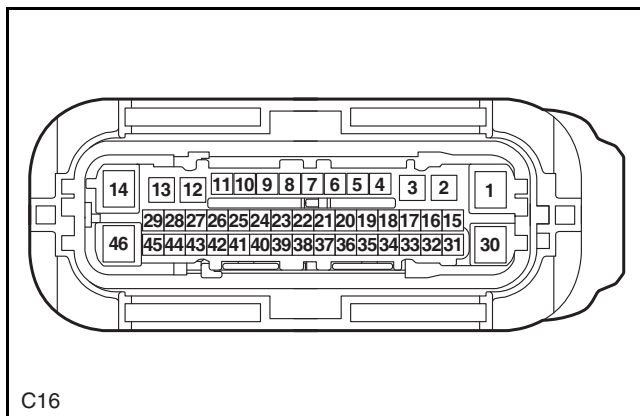
Electronic Shift Actuator Controller A



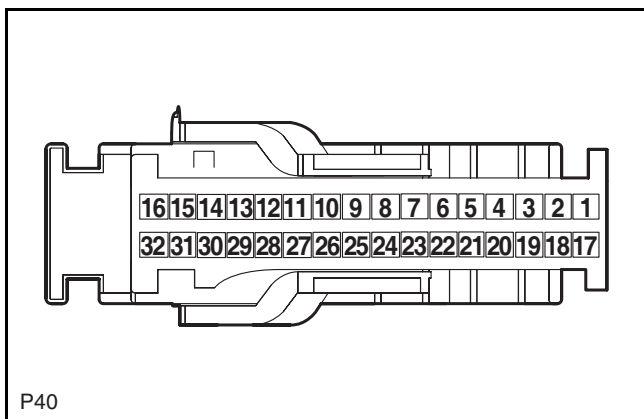
ECU-B



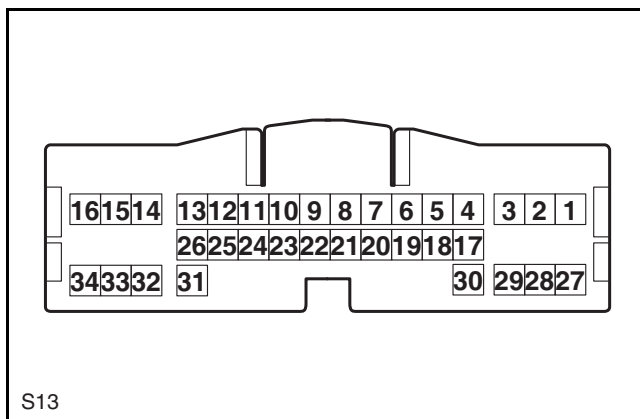
EPBI



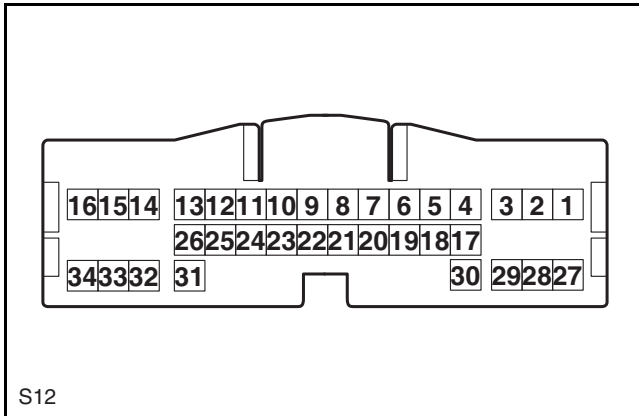
Automatic A/C Controller 1



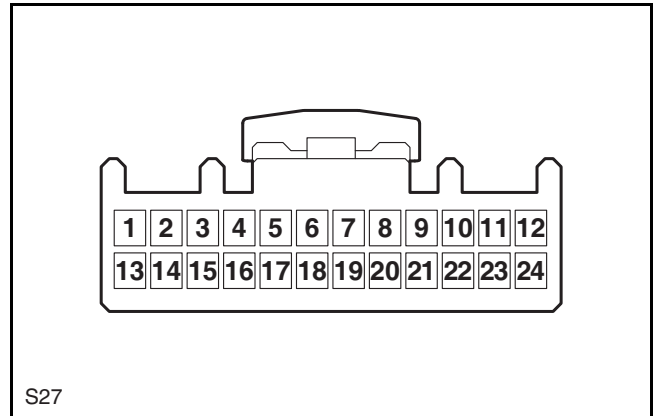
Seat Memory Controller



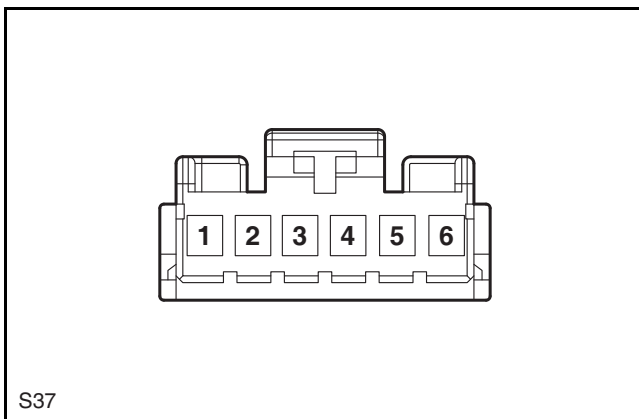
Driver Seat Heater Controller



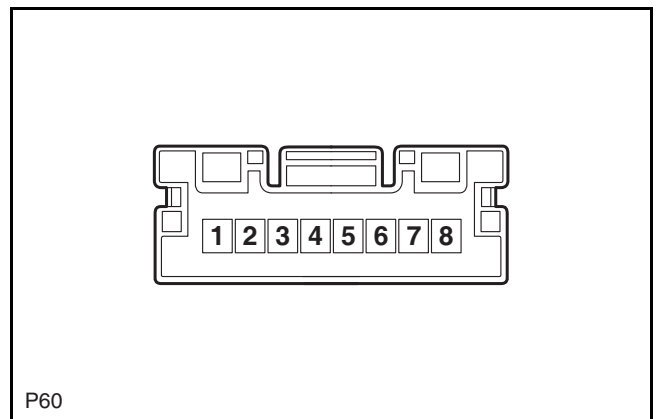
Back Door Controller 1



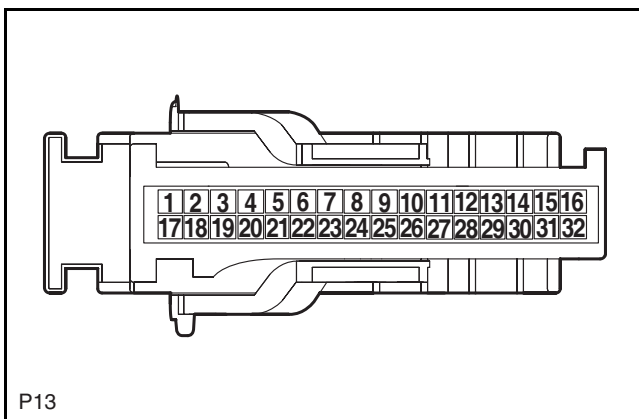
Radio Frequency Receiver



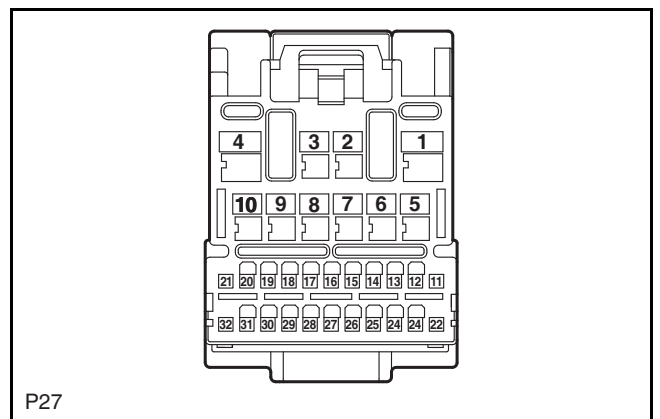
Wireless Charging



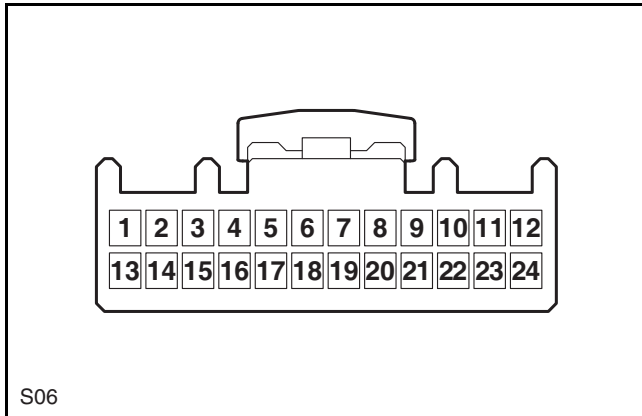
Instrument Cluster



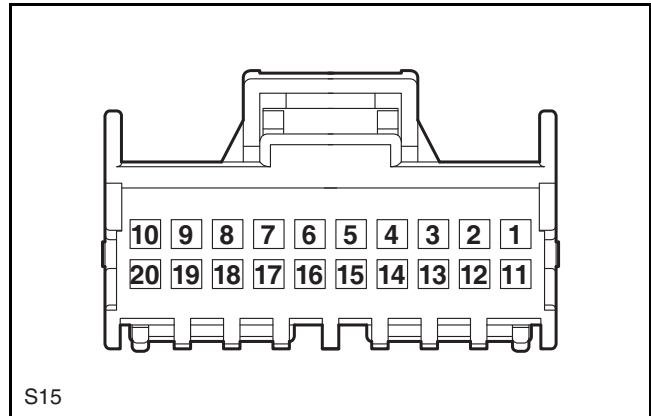
Entertainment and Audio Head Unit - A



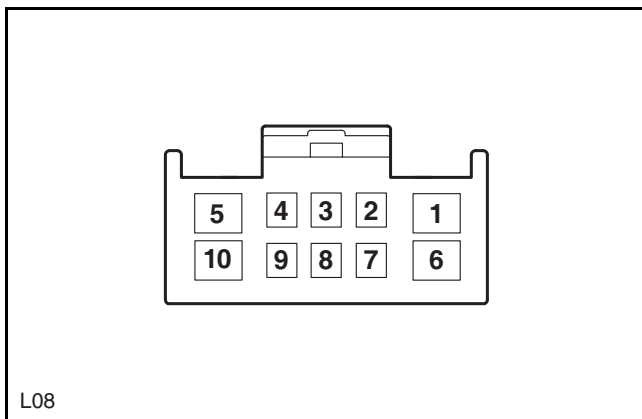
Reversing Radar Controller



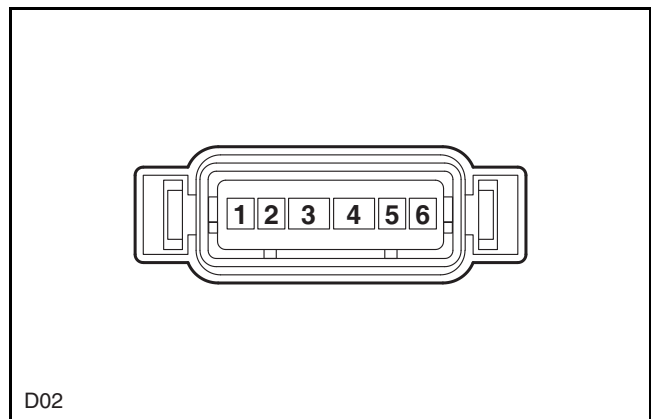
External Power Amplifier B



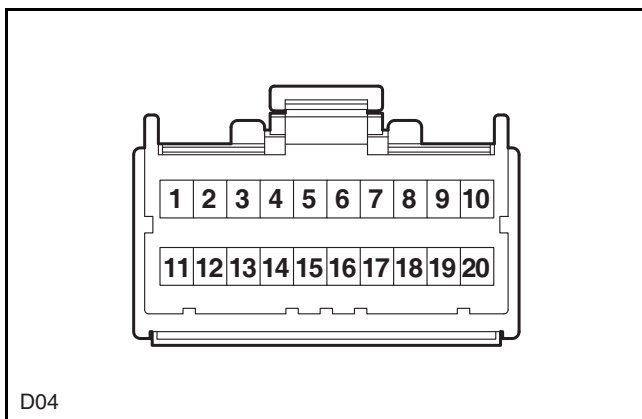
Sunroof Controller (Panoramic)



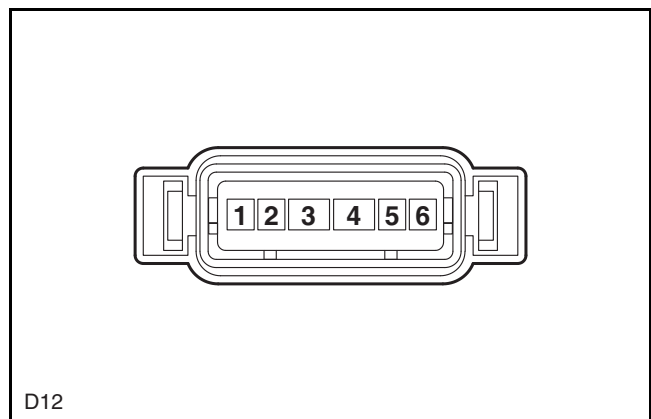
Window Motor 1 (Left Front Door)



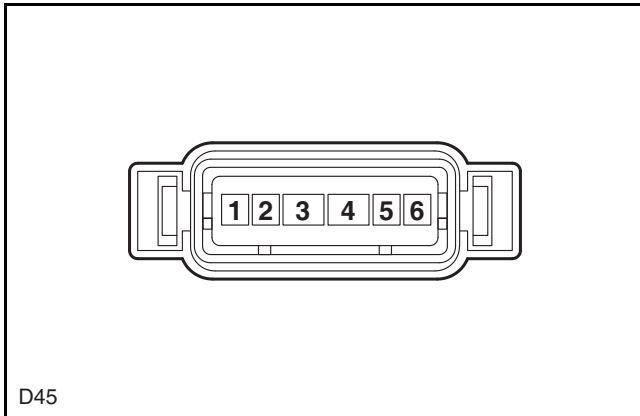
Window Switch - Main (Four Doors Anti-pinch)



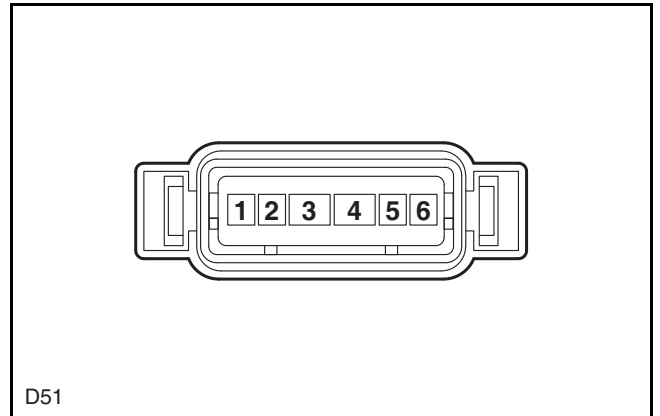
Window Motor - Right Front Door (Anti-pinch)



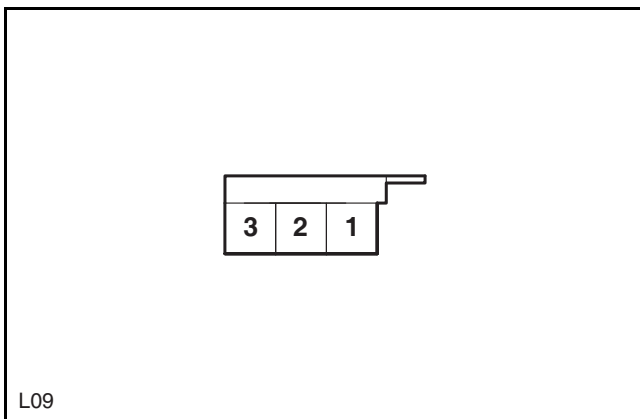
Window Motor - Left Rear Door (Anti-pinch)



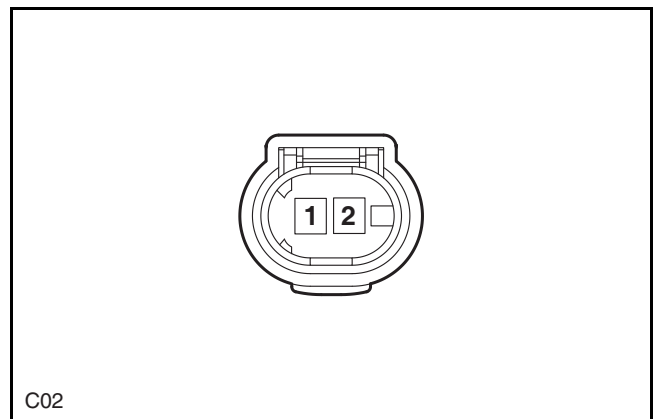
Window Motor - Right Rear Door (Anti-pinch)



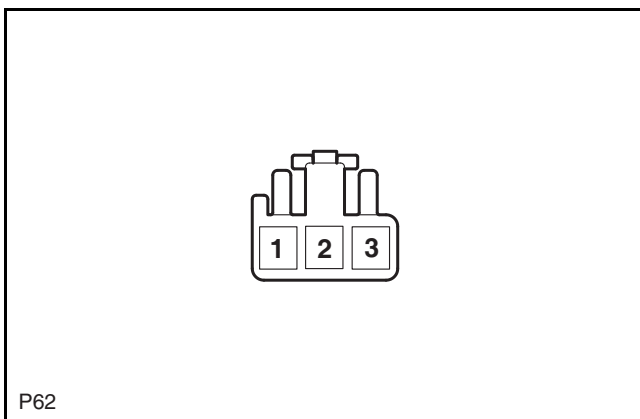
Rain/Ambient Light Sensor



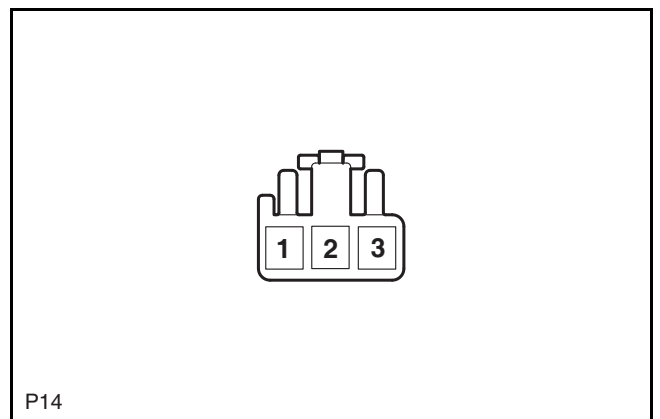
Battery Sensor



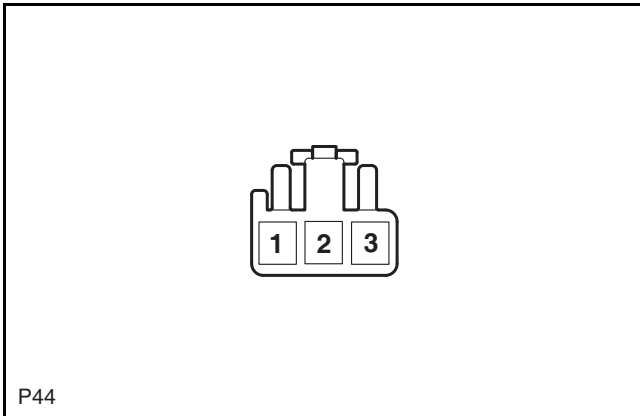
Atmosphere Light - Central Box 1



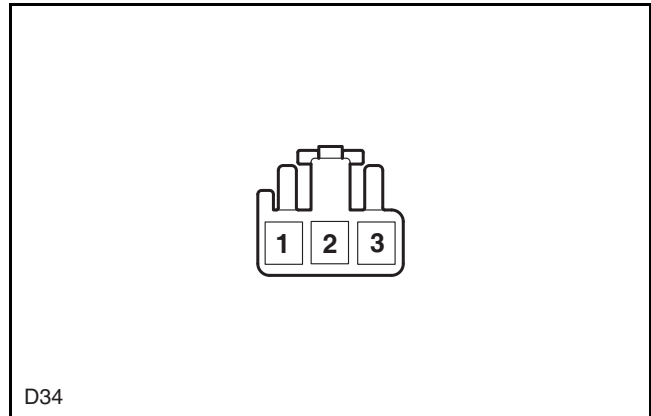
Atmosphere Lamp - Instrument Cluster Left



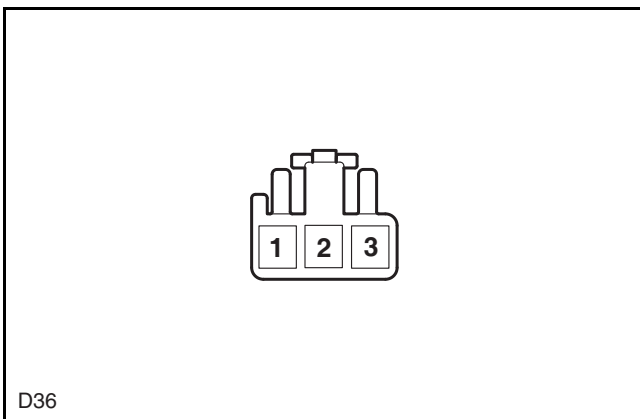
Atmosphere Lamp - Instrument Cluster Right



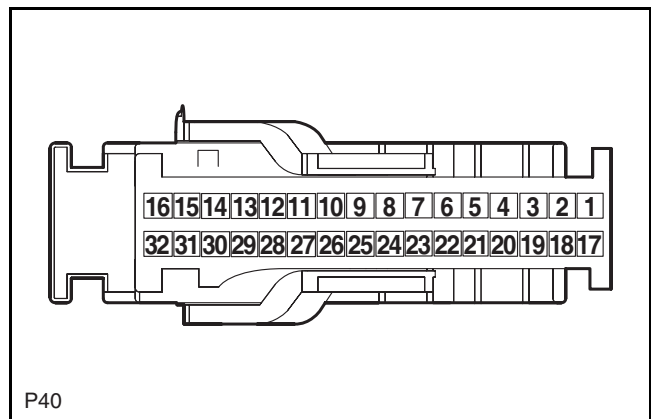
Atmosphere Lamp 1 - Left Front Door



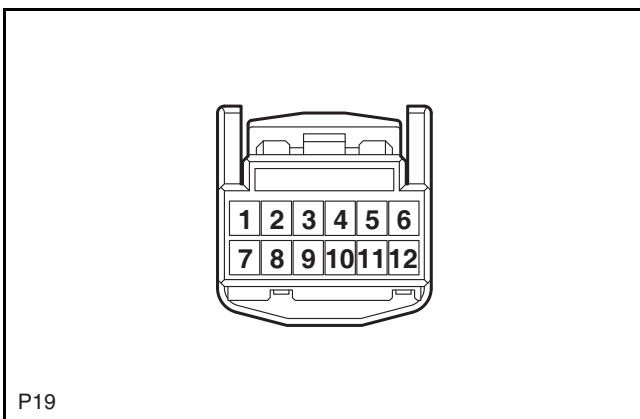
Atmosphere Lamp 1 - Right Front Door



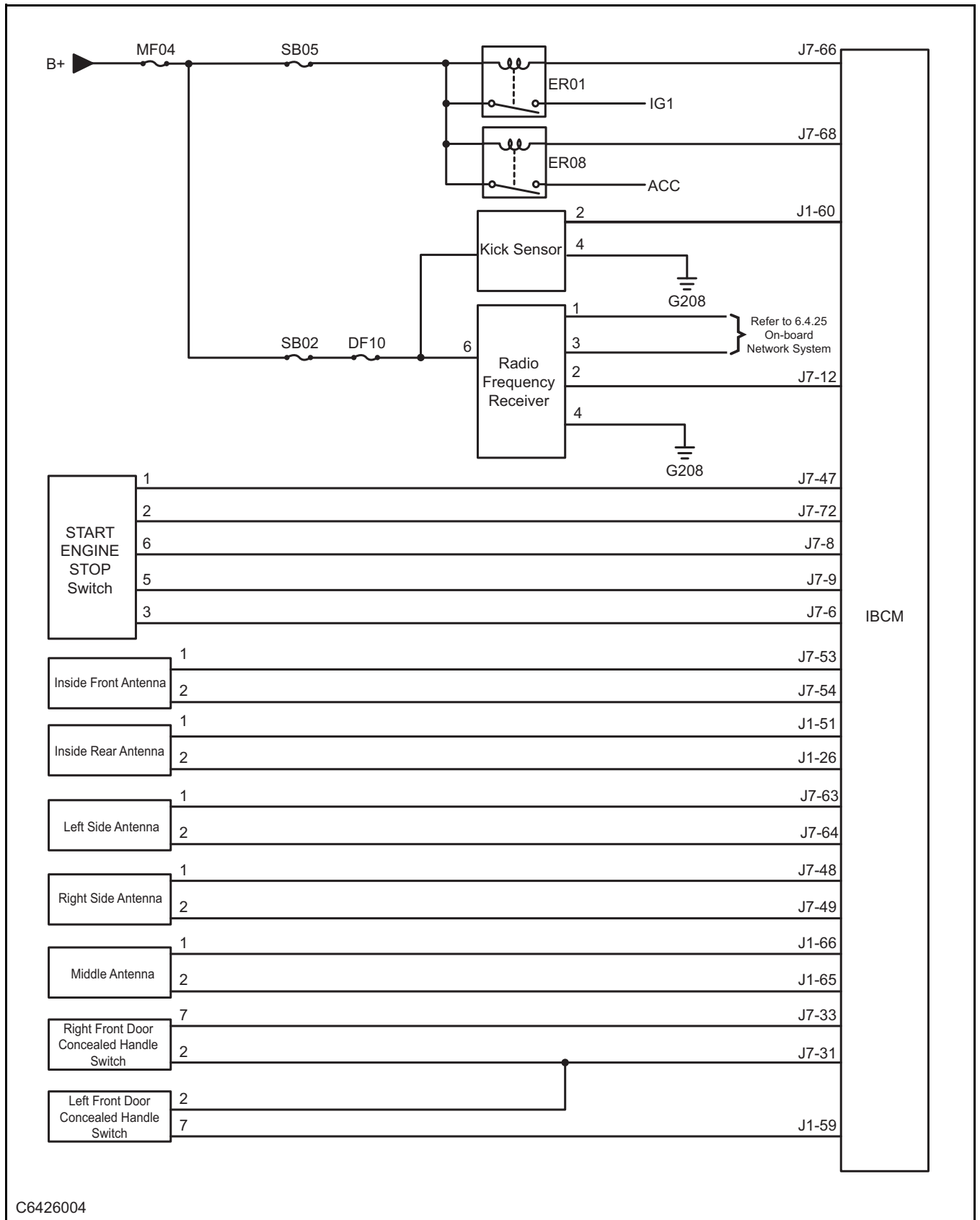
Automatic A/C Controller 1



Central Control Display

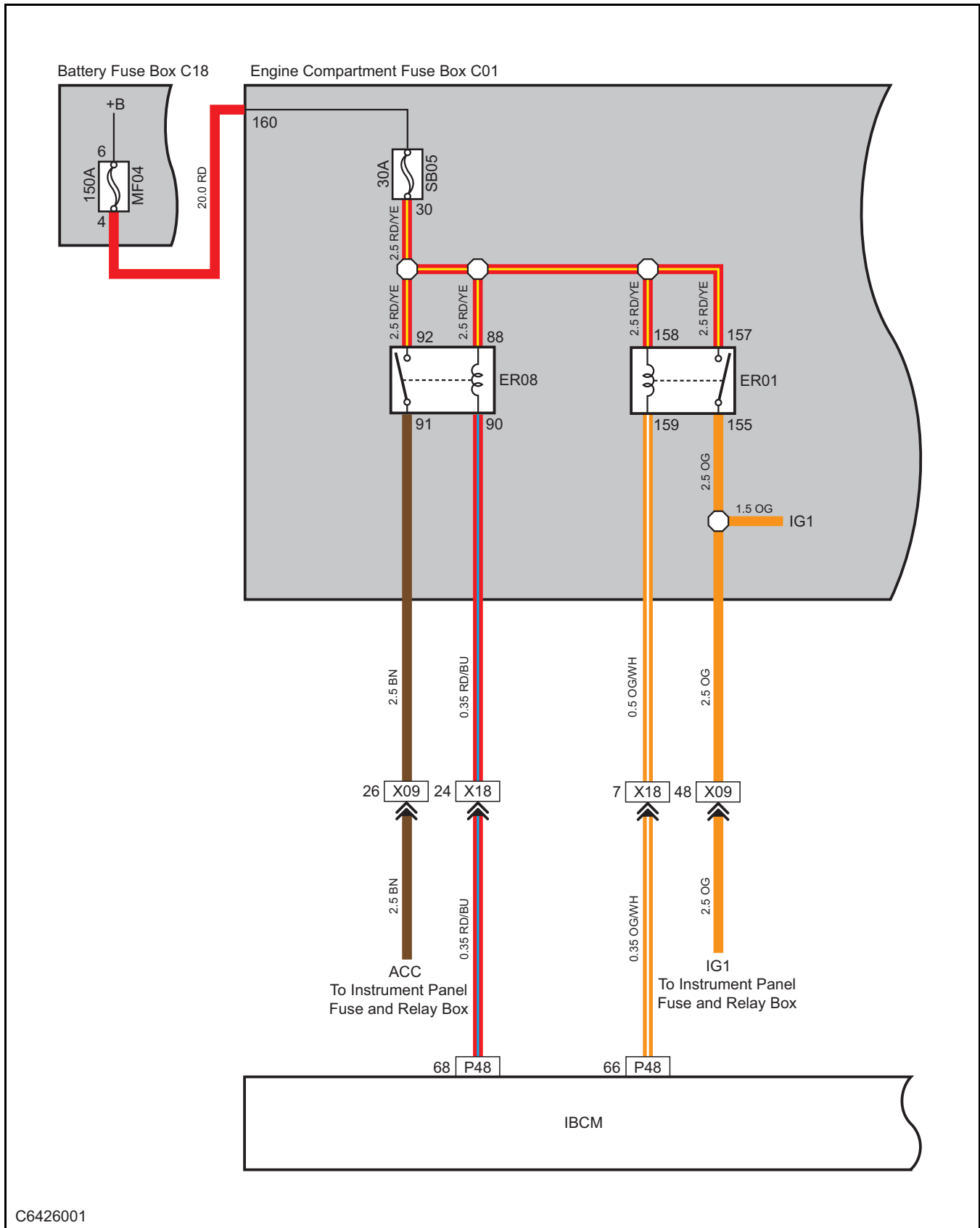


Keyless Entry Control System



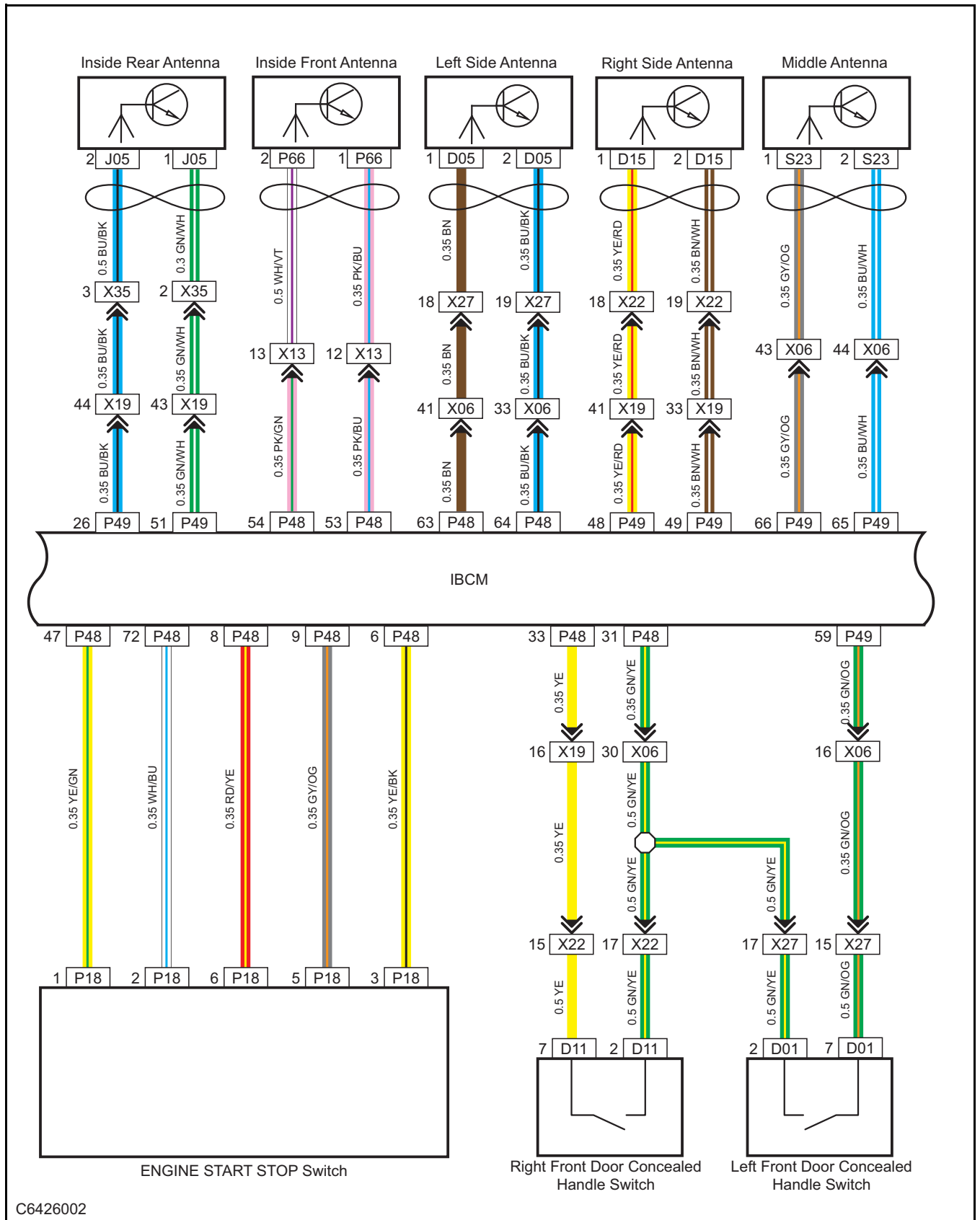
C6426004

Power Supply

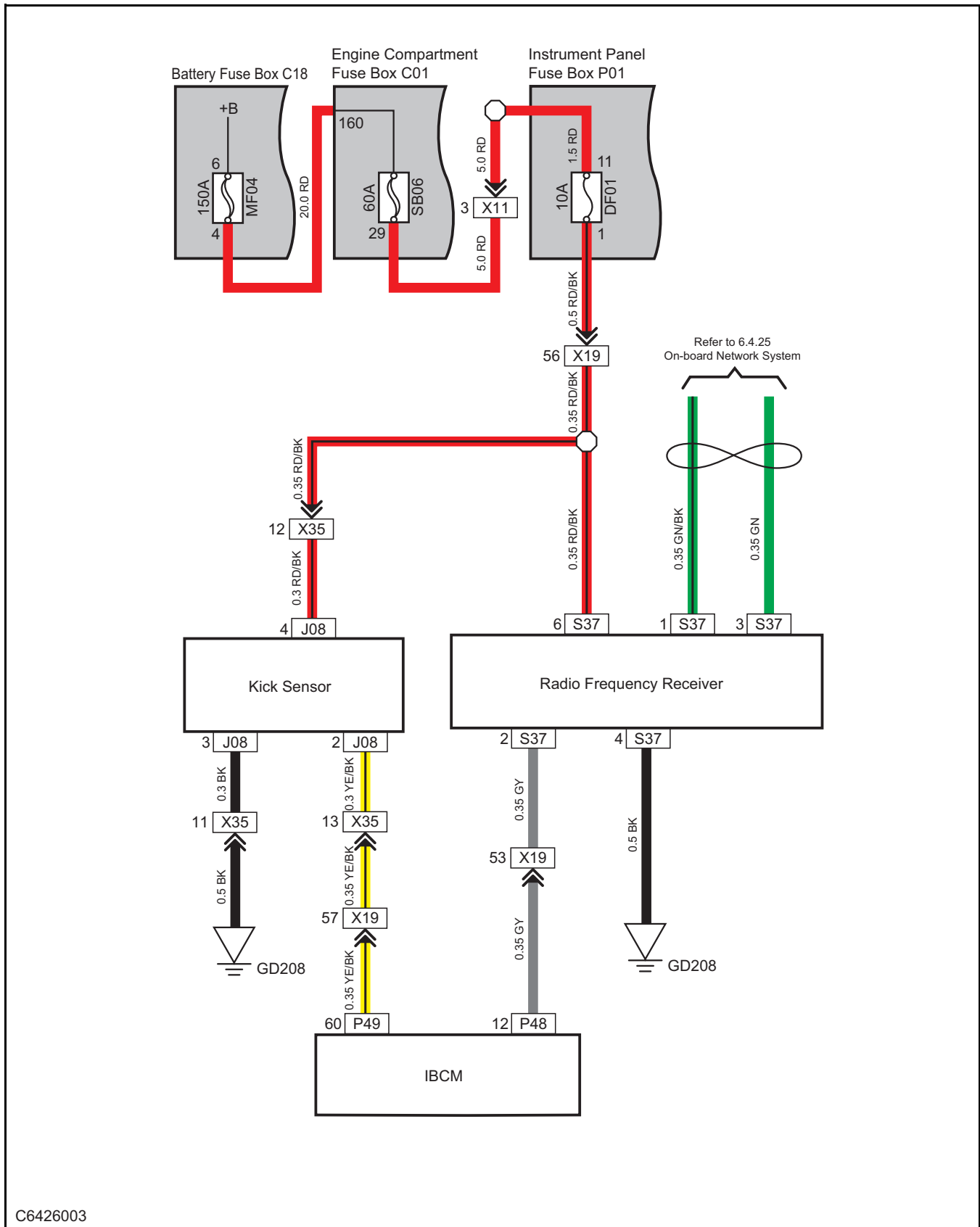


C6426001

Antenna/ENGINE START STOP Switch/Concealed Door Handle

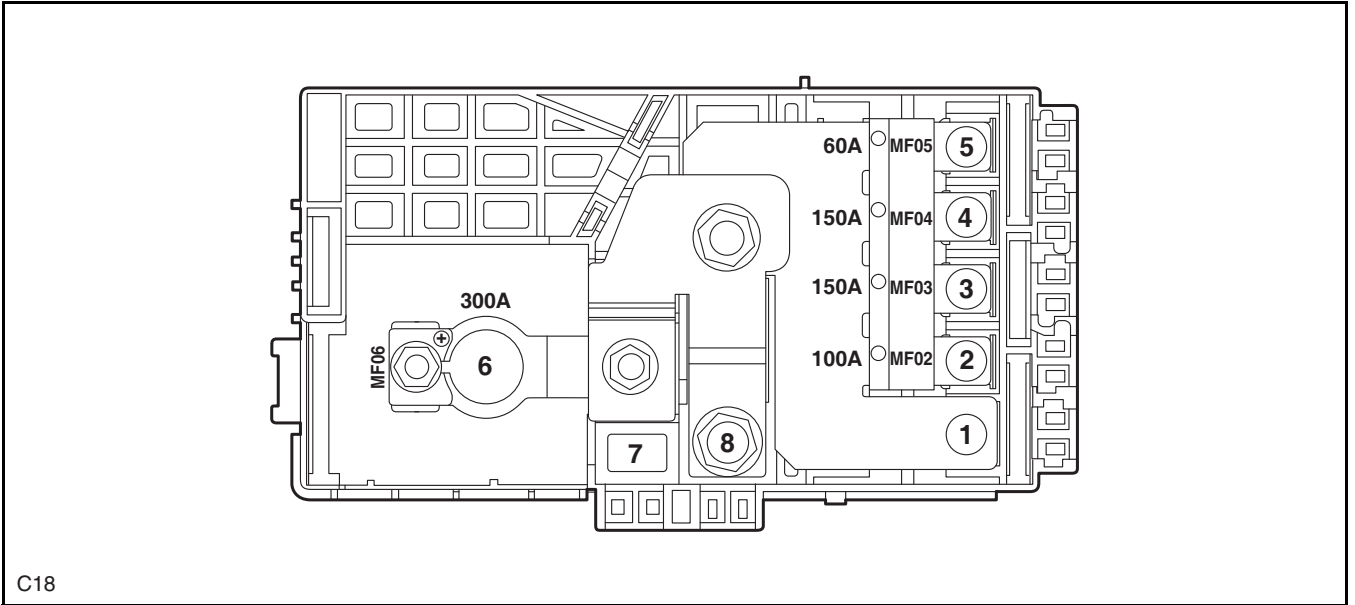


Kick Sensor/Radio Frequency Sensor



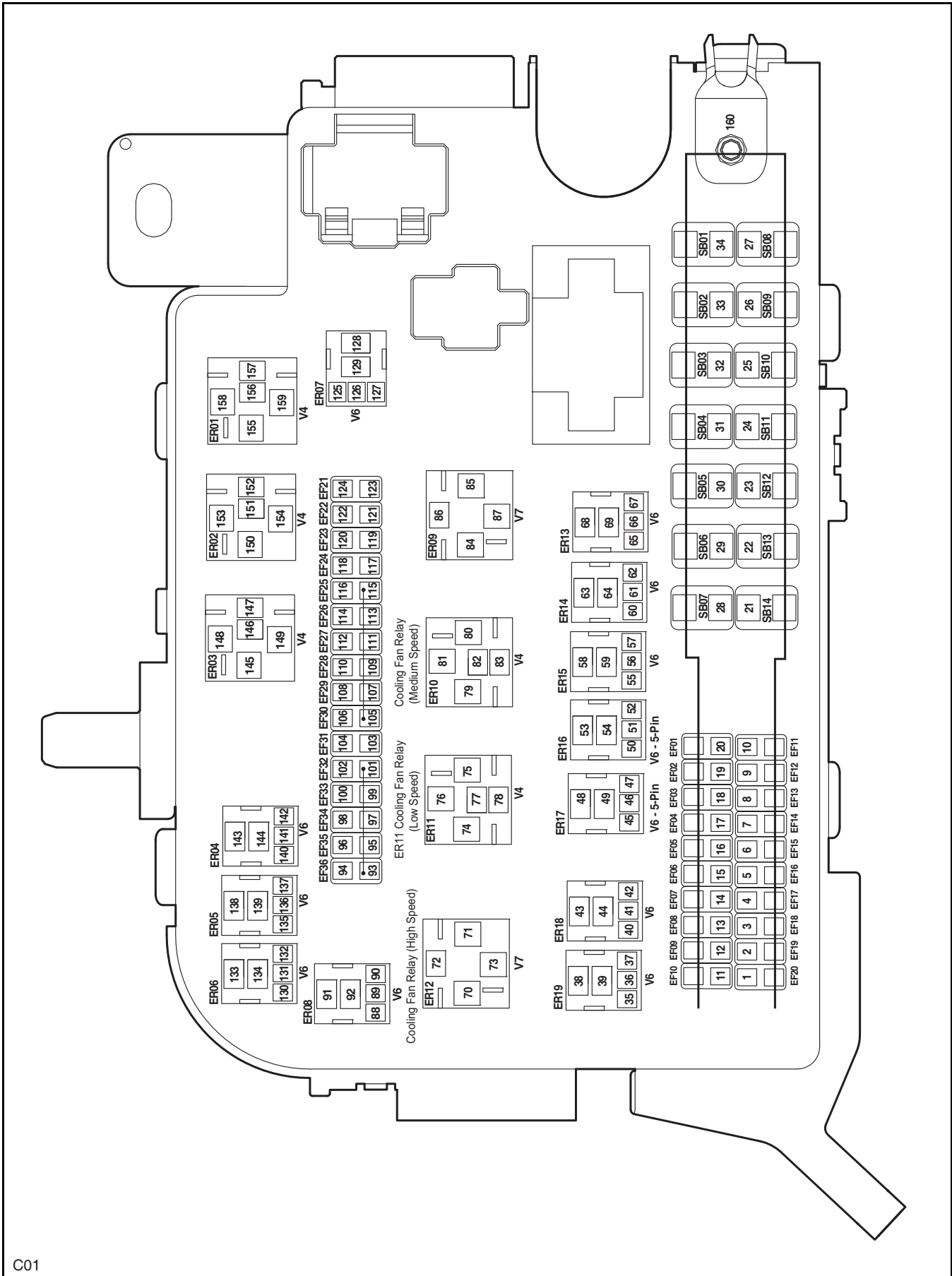
C6426003

Battery Fuse Box



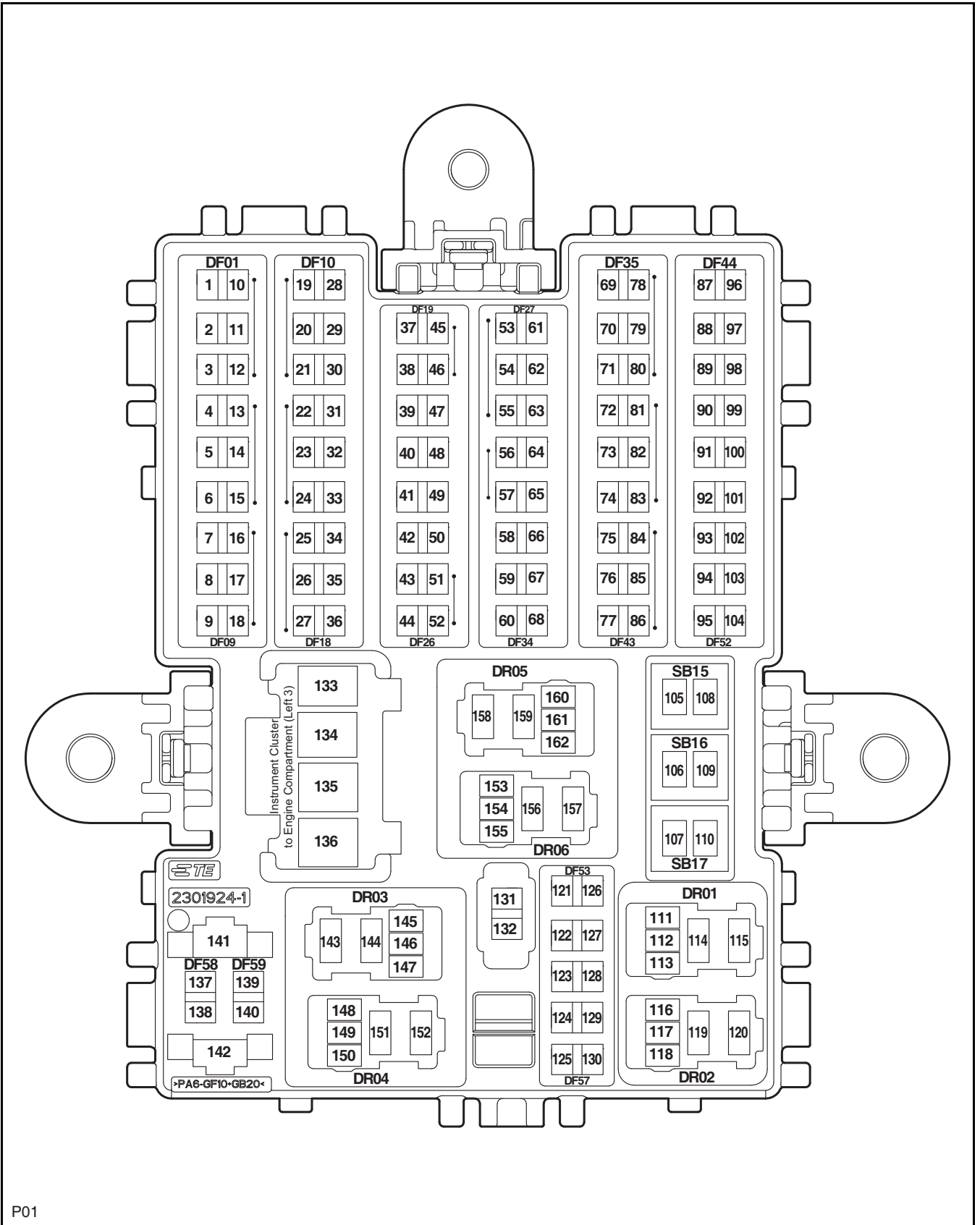
C18

Engine Compartment Fuse Box



C01

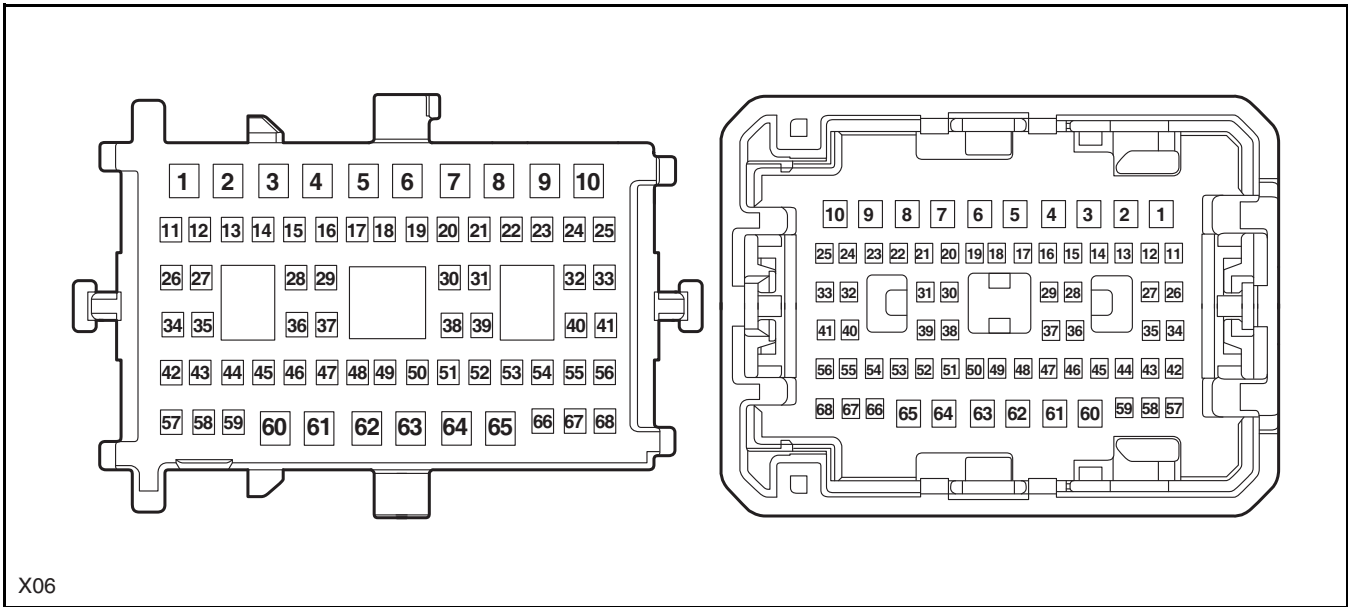
Instrument Panel Fuse Box



P01

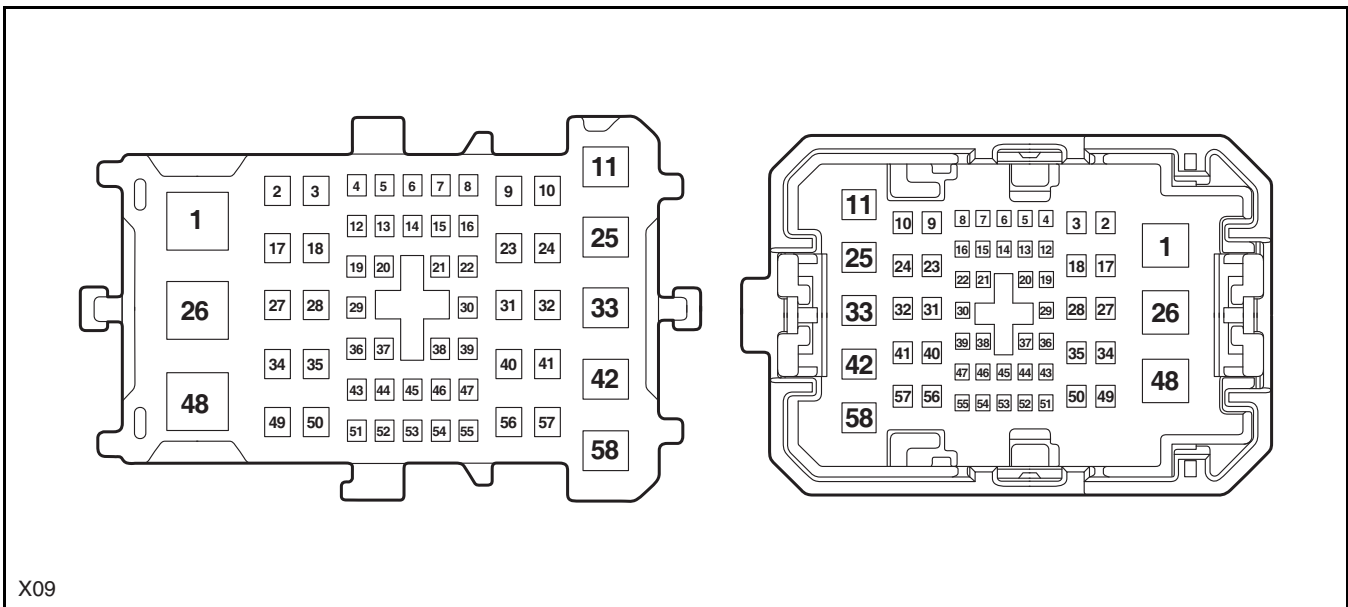
Instrument Panel Wiring Harness to Chassis Wiring Harness (Left 1)

Chassis Wiring Harness to Instrument Panel Wiring Harness (Left 1)



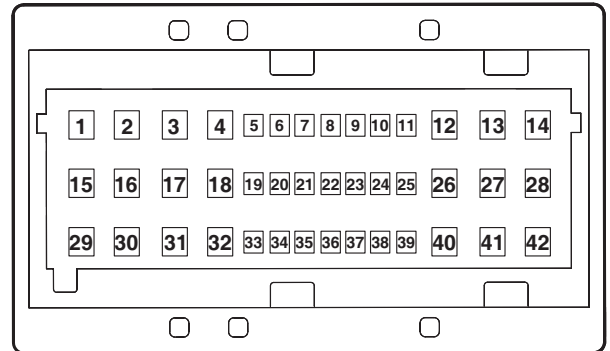
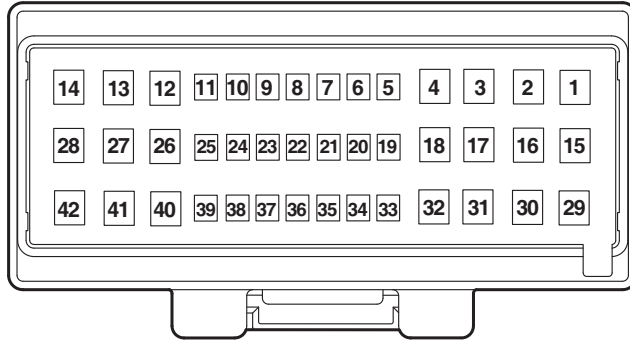
Instrument Panel Wiring Harness to Engine Compartment Wiring Harness (Left 1)

Engine Compartment Wiring Harness to Instrument Panel Wiring Harness (Left 1)



Instrument Panel Wiring Harness to Auxiliary Fascia Console Wiring Harness Panel

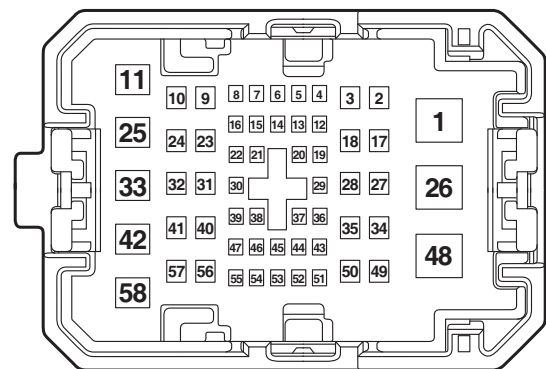
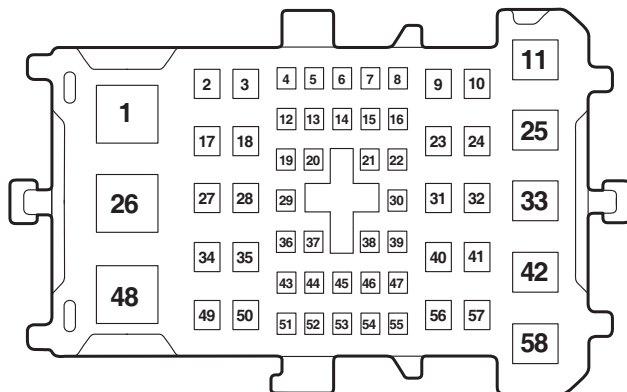
Auxiliary Fascia Console Wiring Harness Panel to Instrument Panel Wiring Harness



X13

Instrument Panel Wiring Harness to Engine Compartment Wiring Harness (Right 1)

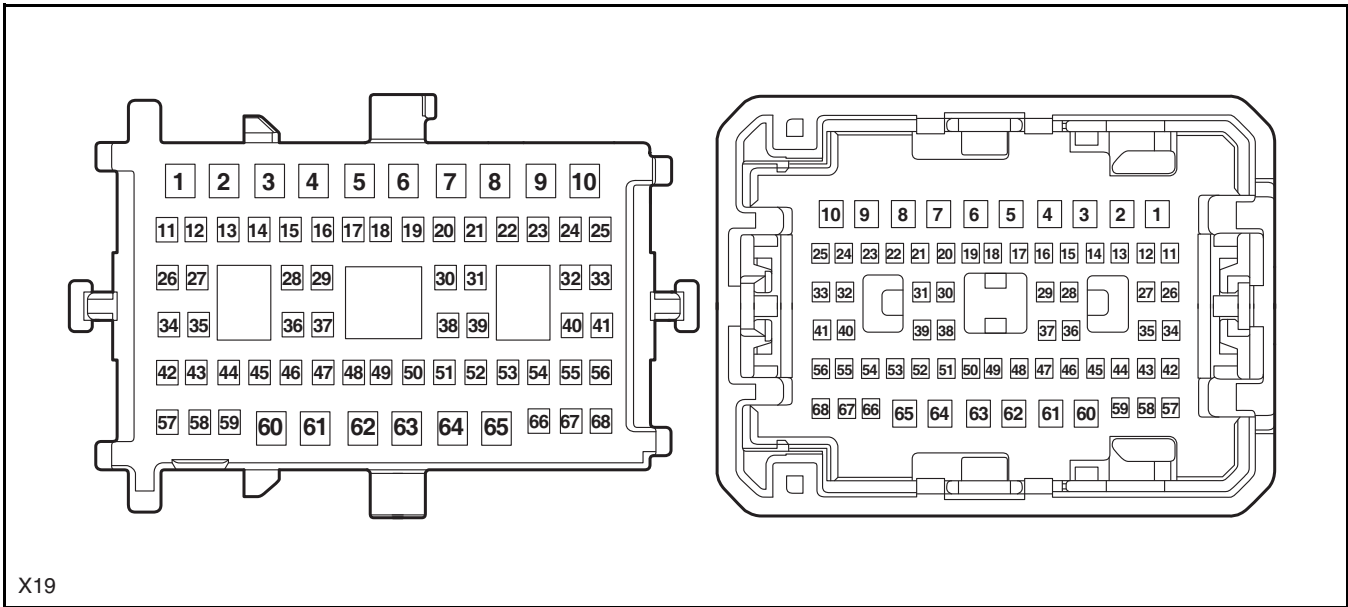
Engine Compartment Wiring Harness to Instrument Panel Wiring Harness (Right 1)



X18

Instrument Panel Wiring Harness to Chassis Wiring Harness (Right 1)

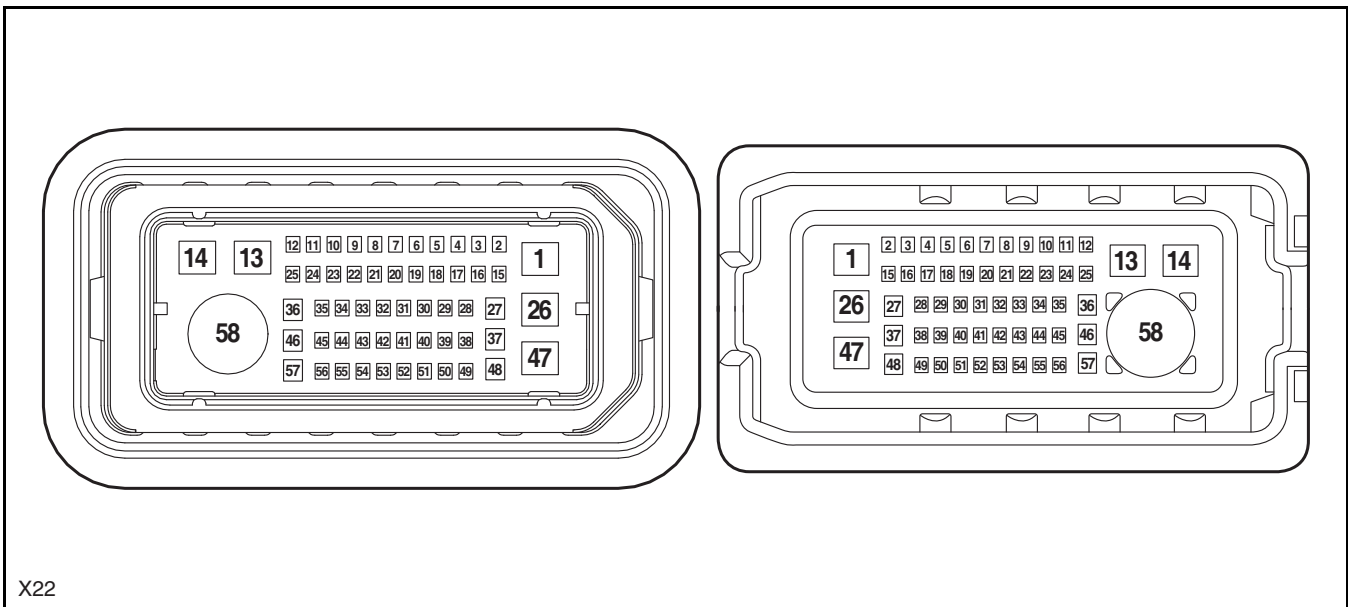
Chassis Wiring Harness to Instrument Panel Wiring Harness (Right 1)



X19

Chassis Wiring Harness to Right Front Door Wiring Harness

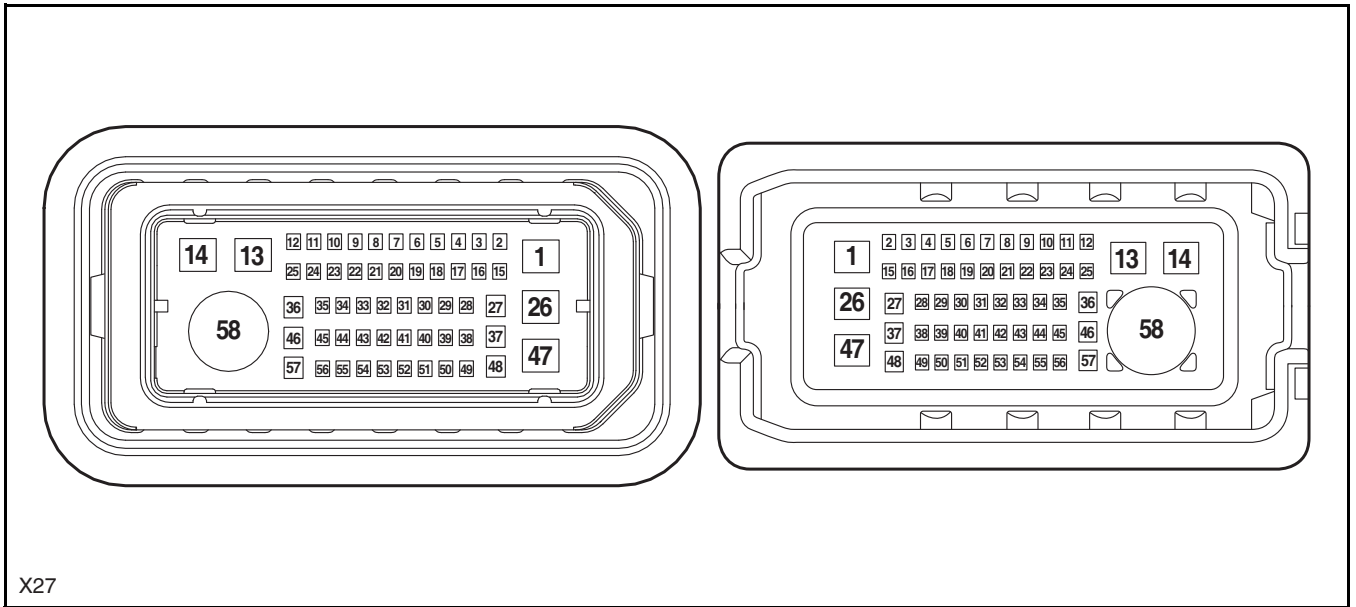
Right Front Door Wiring Harness to Chassis Wiring Harness



X22

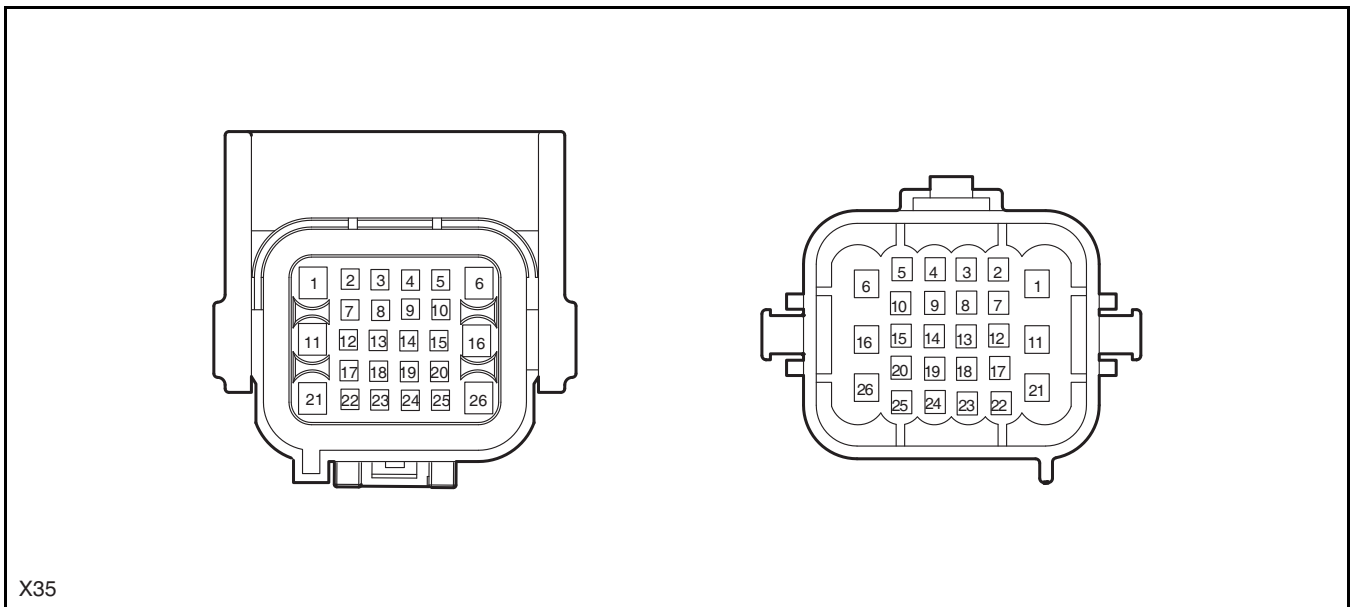
Chassis Wiring Harness to Left Front Door Wiring Harness

Left Front Door Wiring Harness to Chassis Wiring Harness

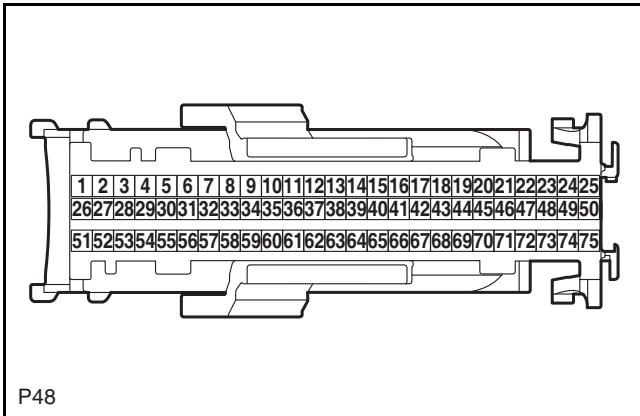


Chassis Wiring Harness to Rear Bumper Wiring Harness

Rear Bumper Wiring Harness to Chassis Wiring Harness



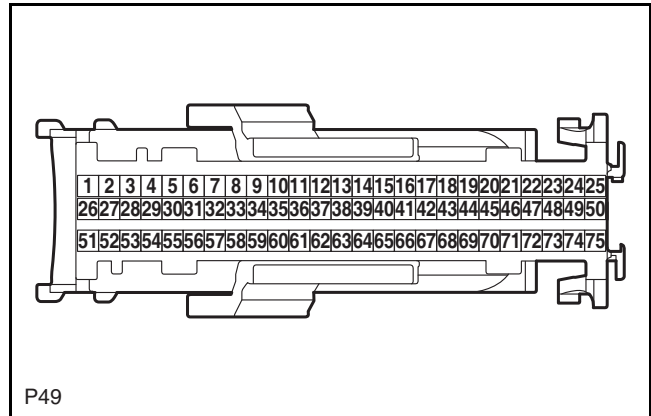
IBCM-J7



P48

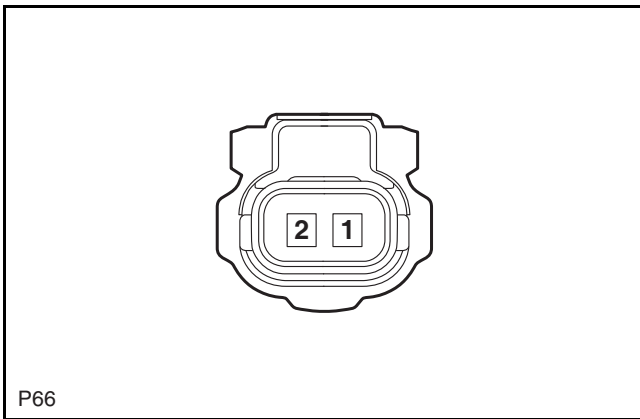
Inside Front Antenna

IBCM-J1



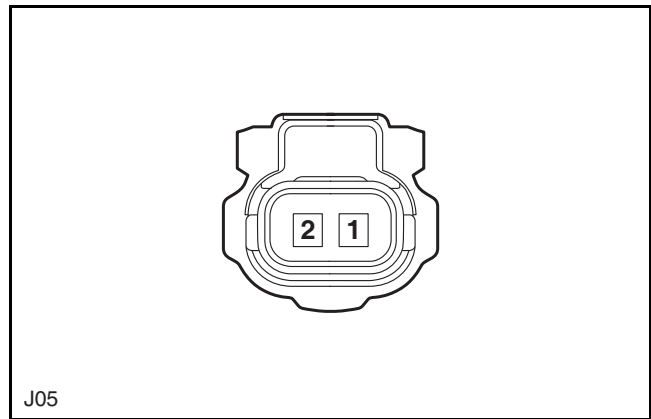
P49

Inside Rear Antenna



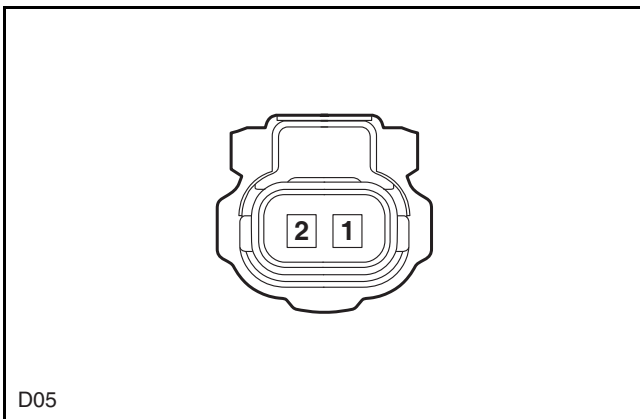
P66

Left Side Antenna

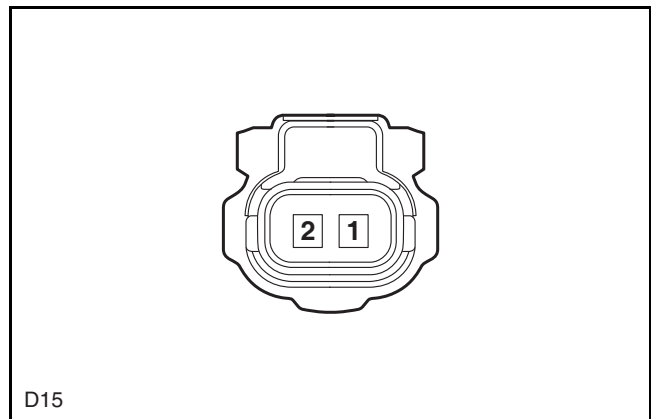


J05

Right Side Antenna

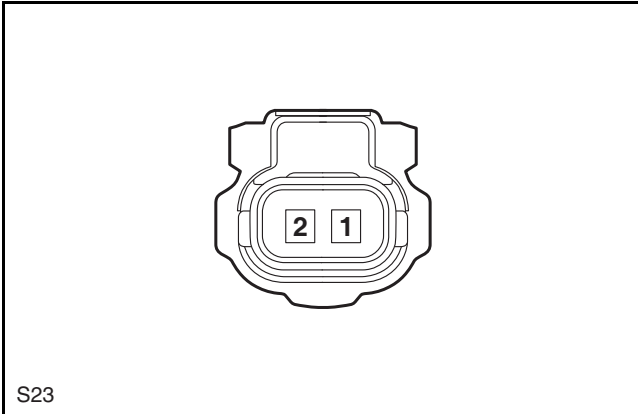


D05

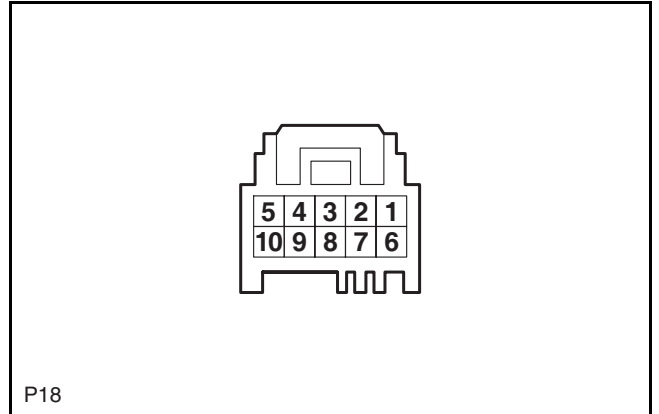


D15

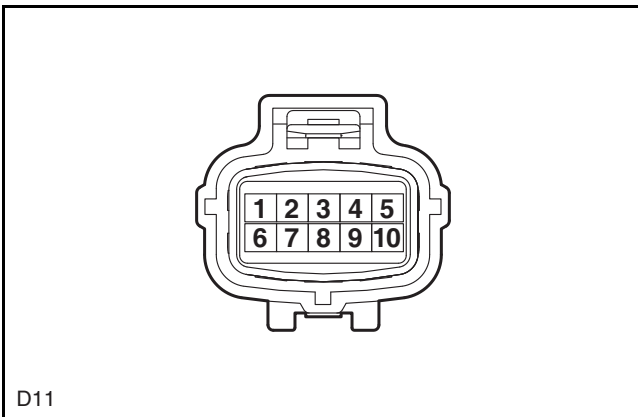
Middle Antenna



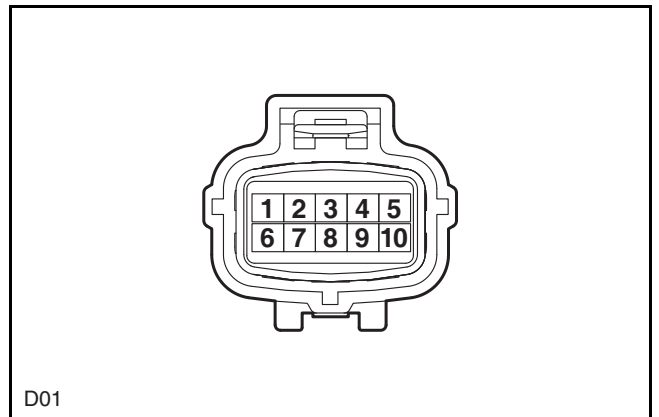
ENGINE START STOP Switch



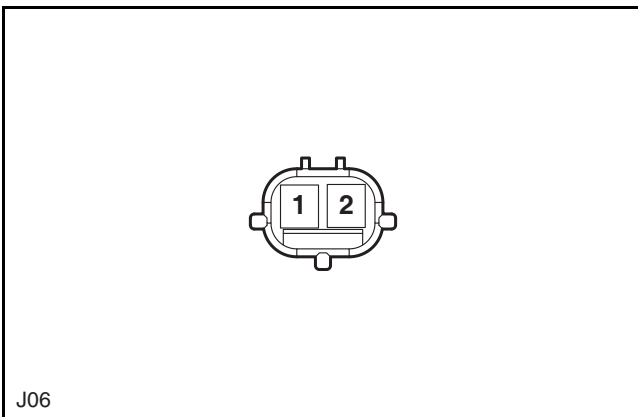
Right Front Door Concealed Handle Switch



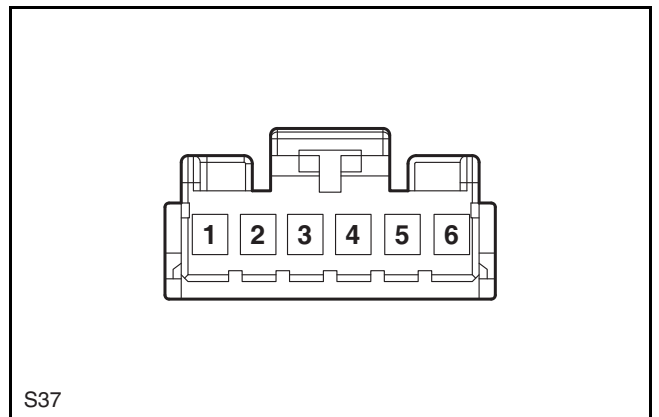
Left Front Door Concealed Handle Switch



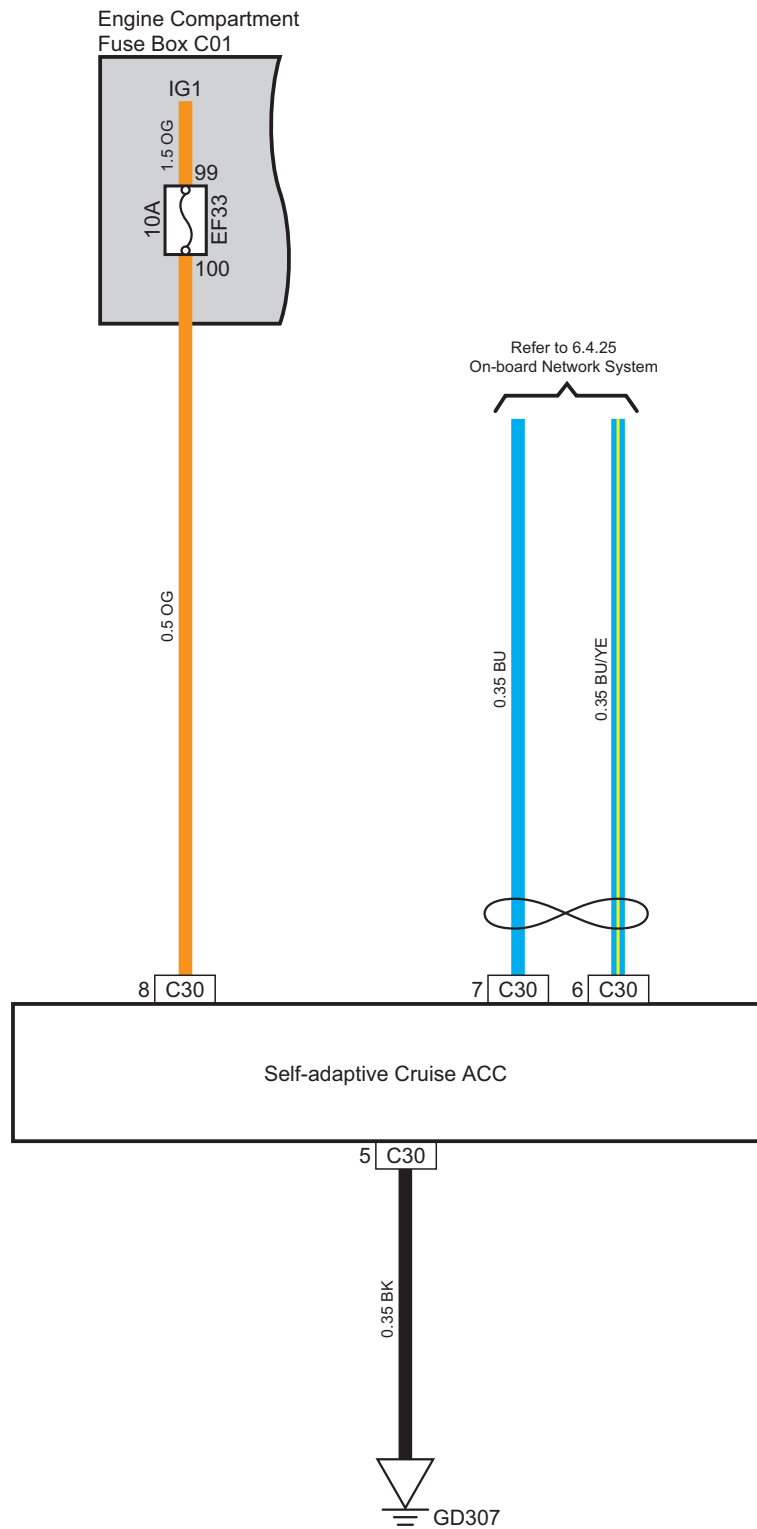
Kick Sensor



Radio Frequency Receiver

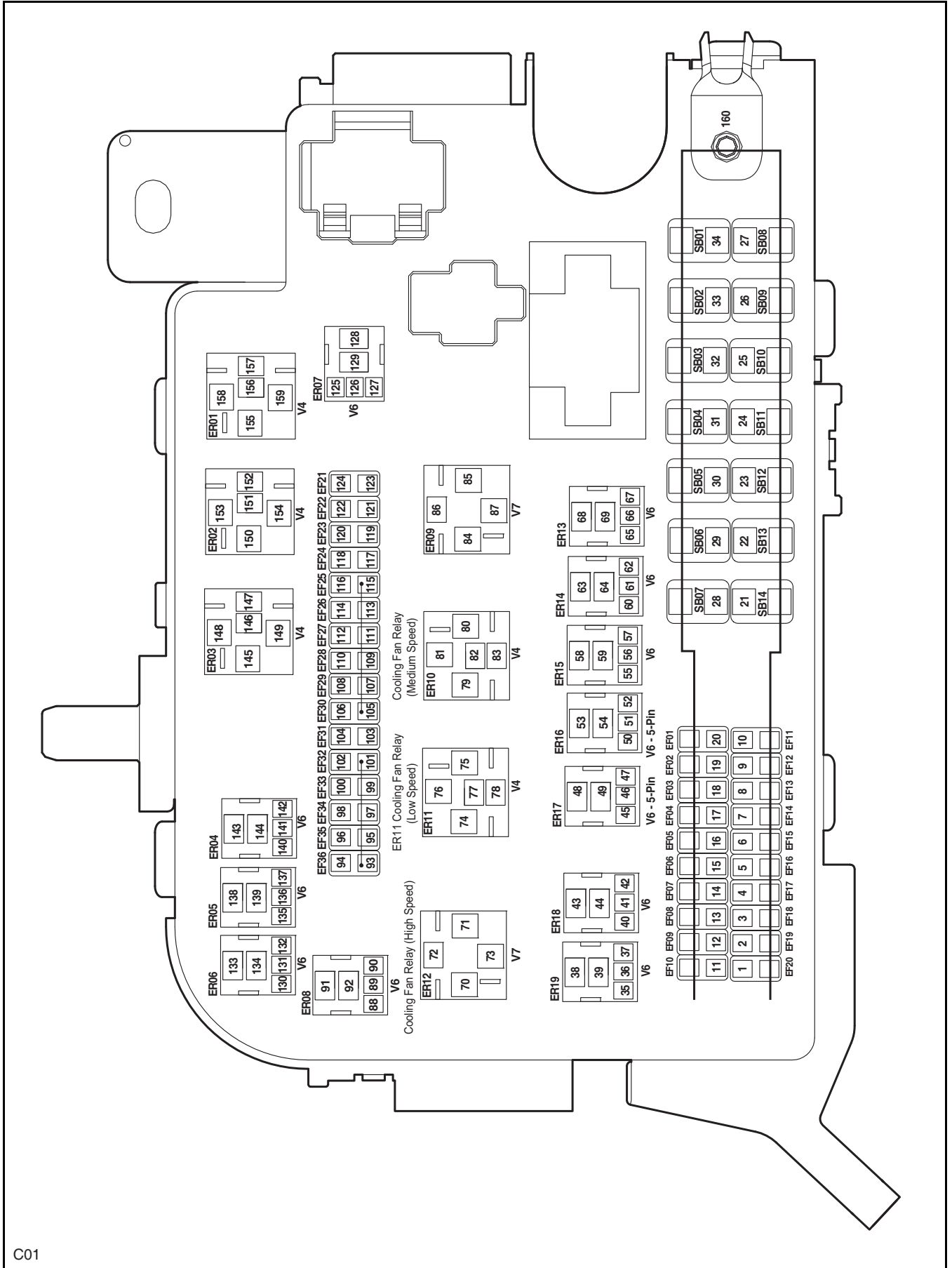


Self-adaptive Cruise System



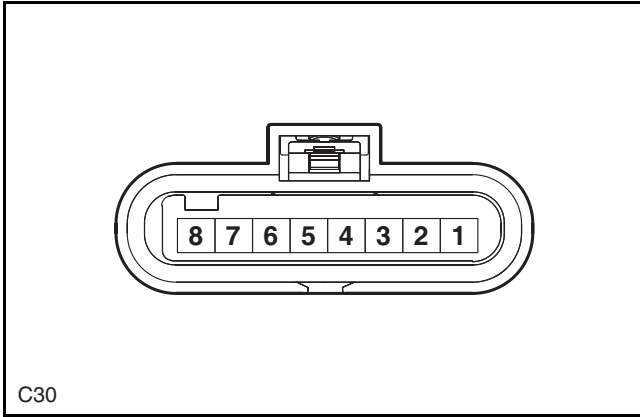
C6428001

Engine Compartment Fuse Box

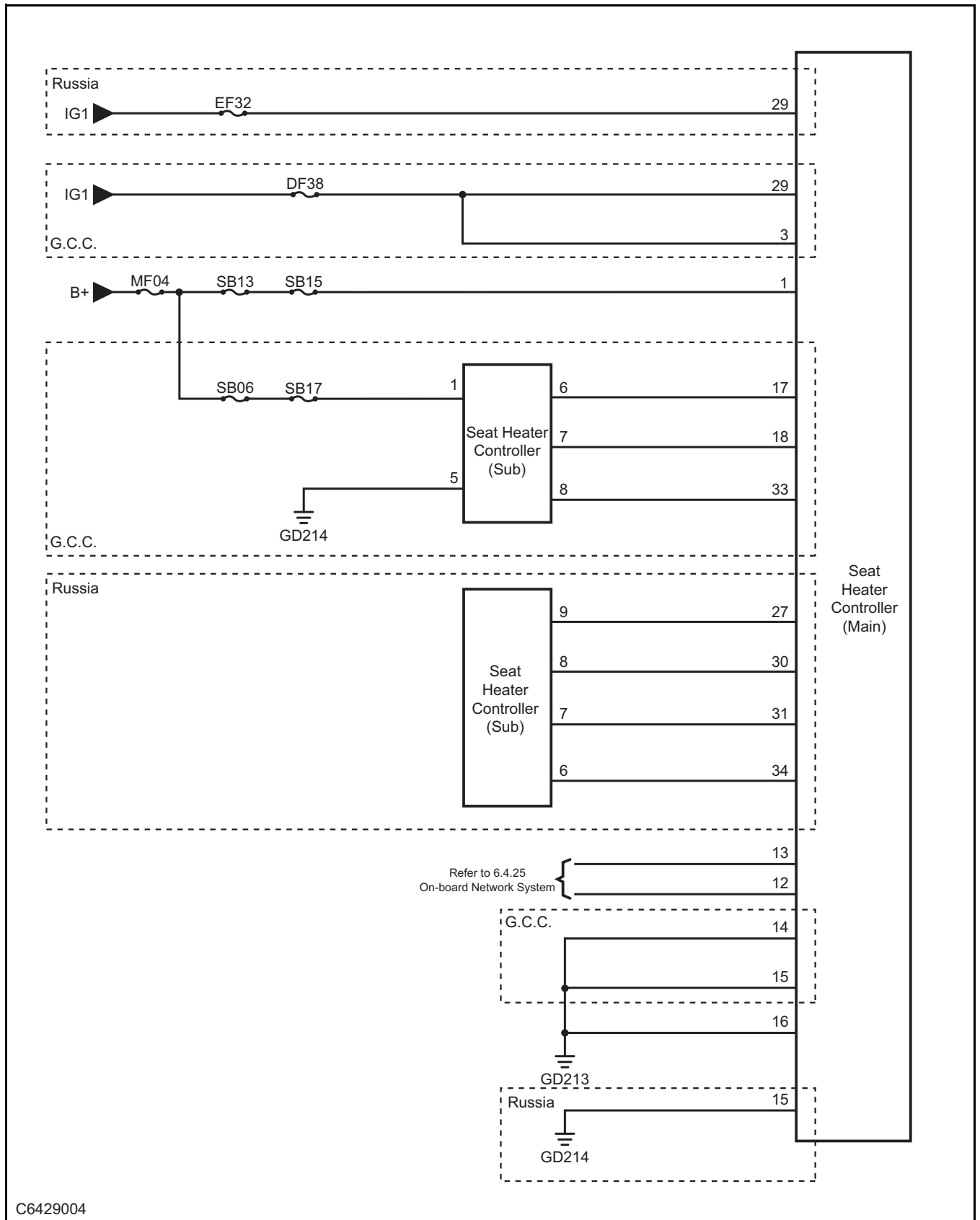


C01

Self-adaptive Cruise ACC

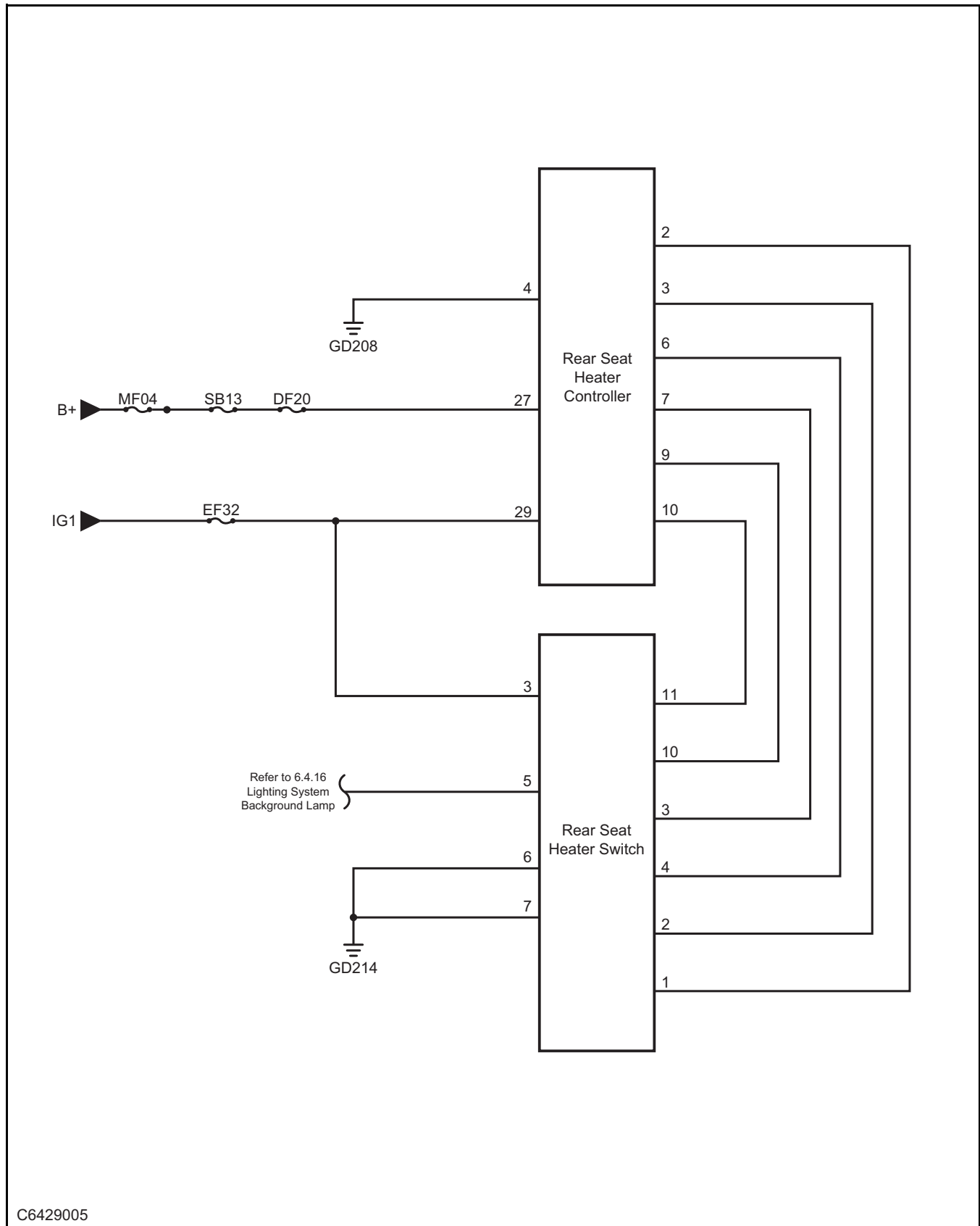


Seat Heating and Ventilation System



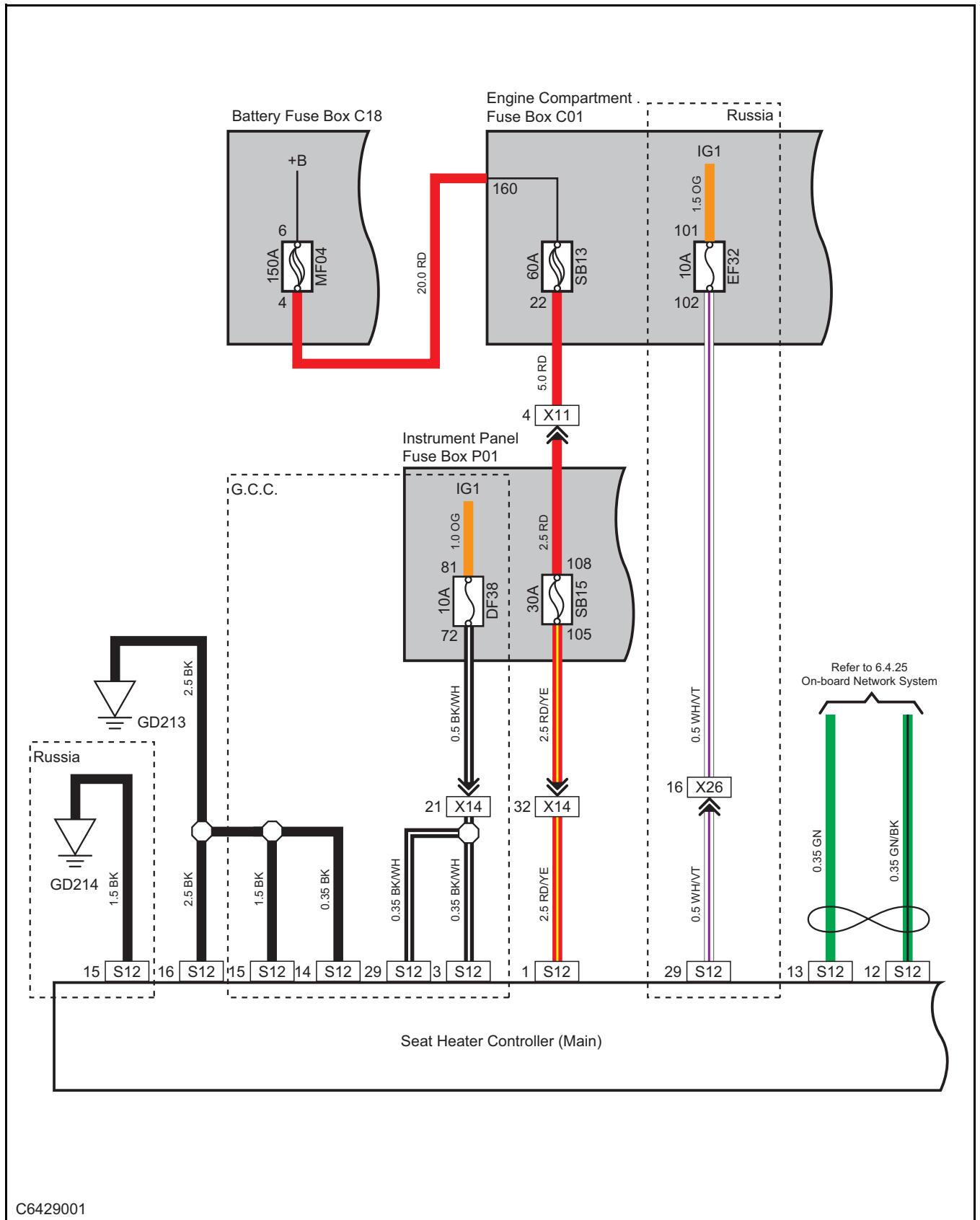
C6429004

Rear Seat Heating System (Russia)



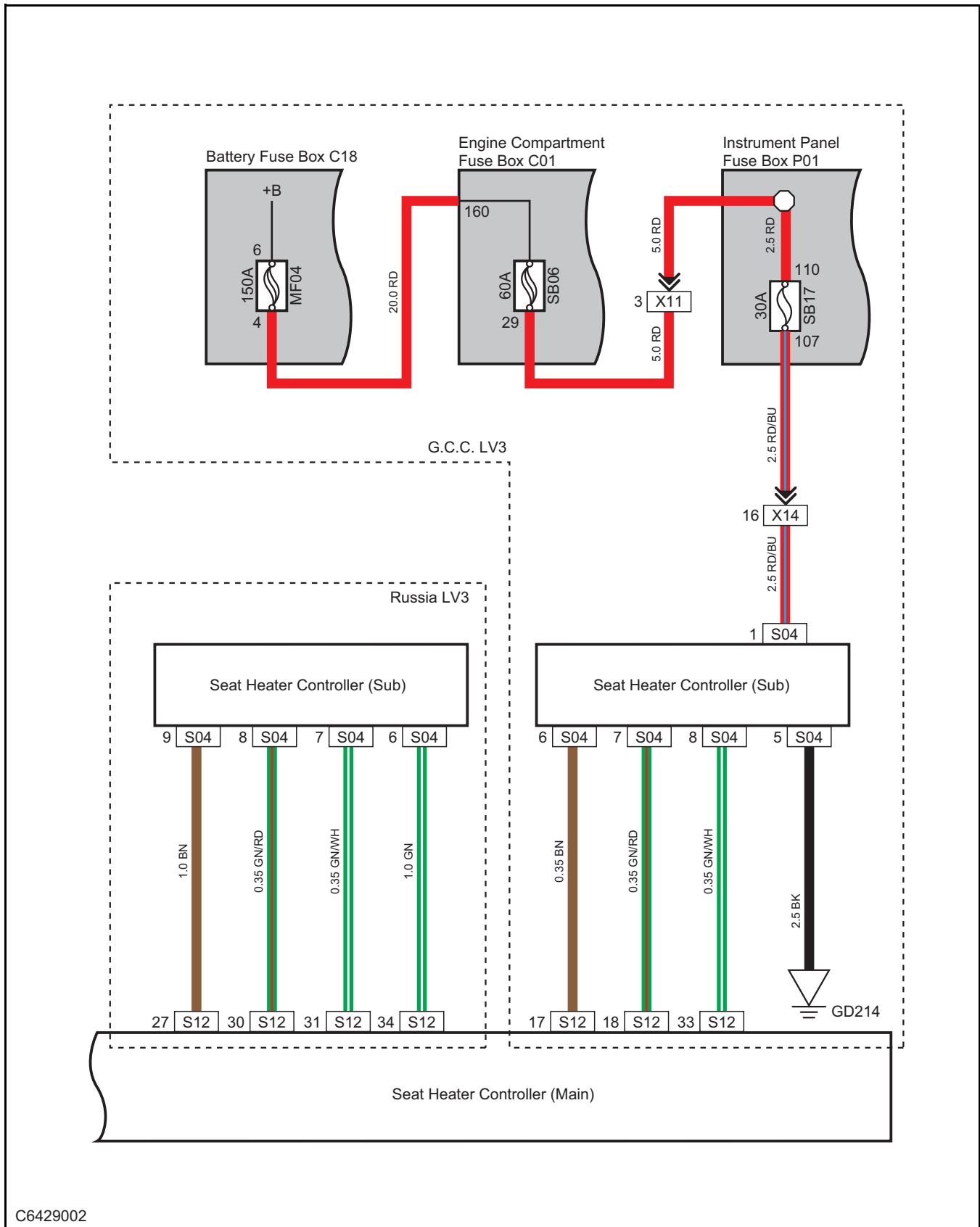
C6429005

Power Supply

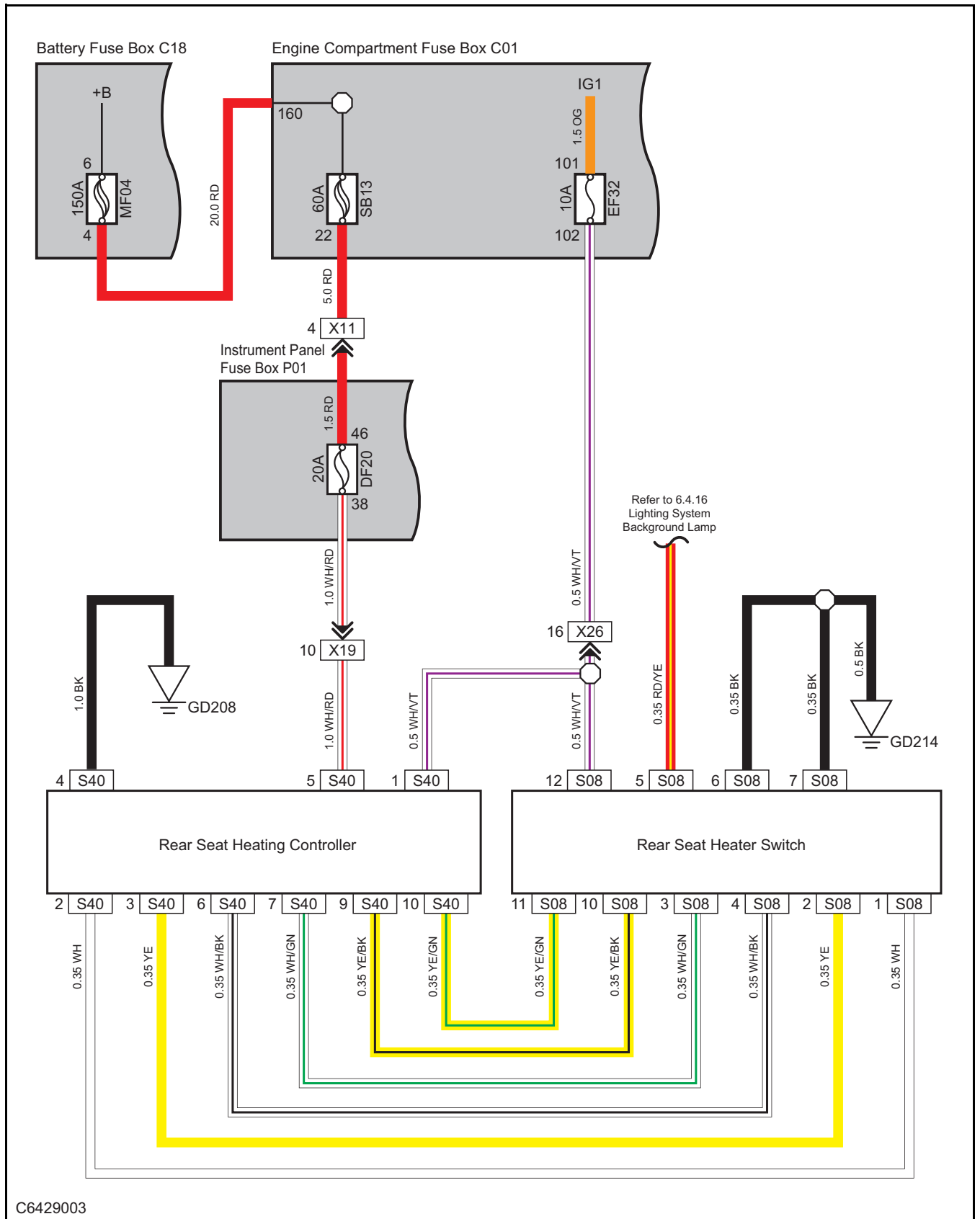


C6429001

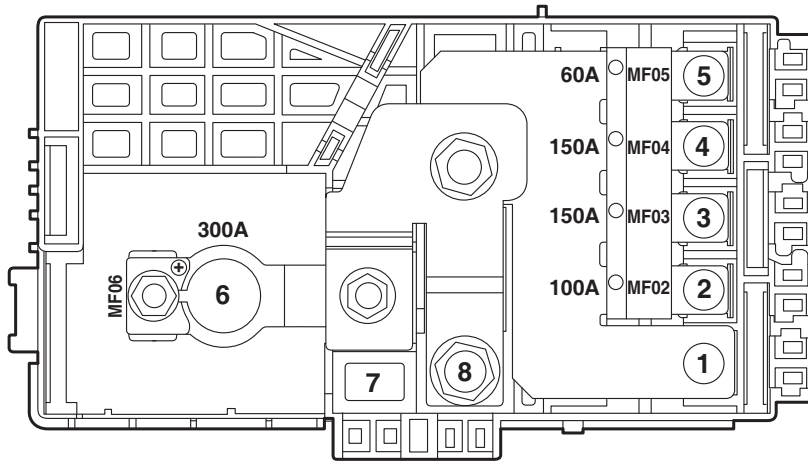
Front Passenger Seat Heating Controller



Rear Seat Heater (Russia)

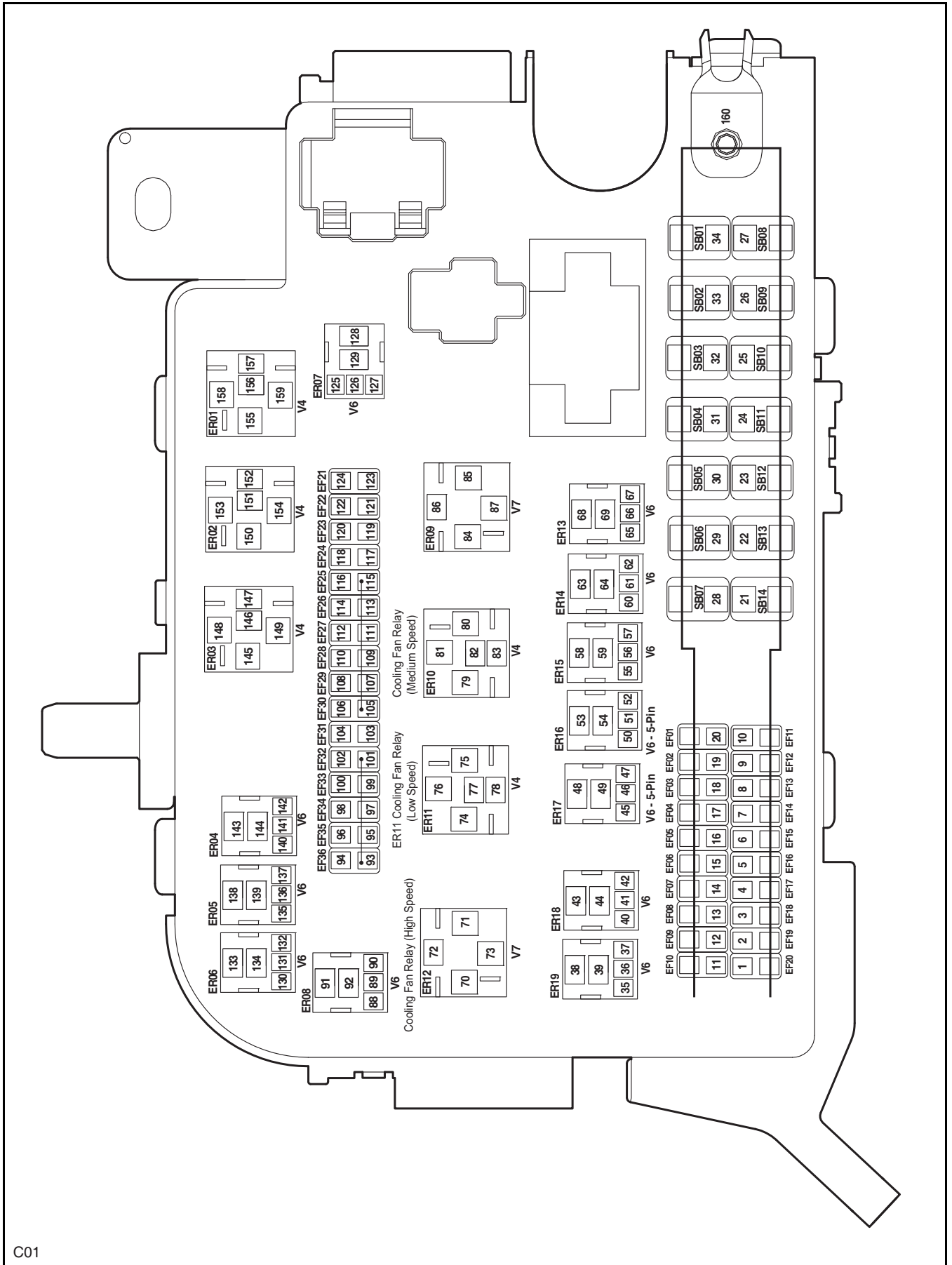


Battery Fuse Box



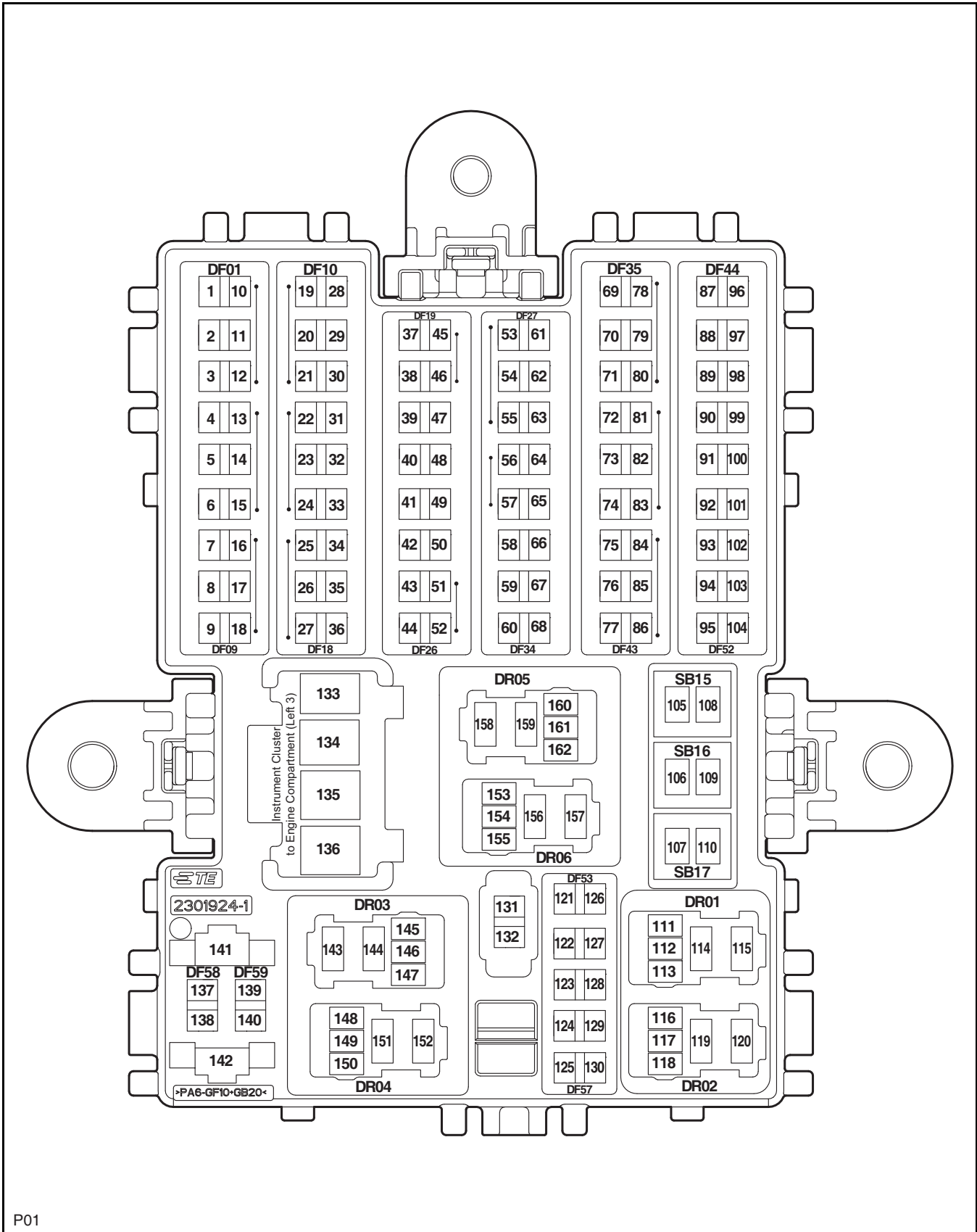
C18

Engine Compartment Fuse Box



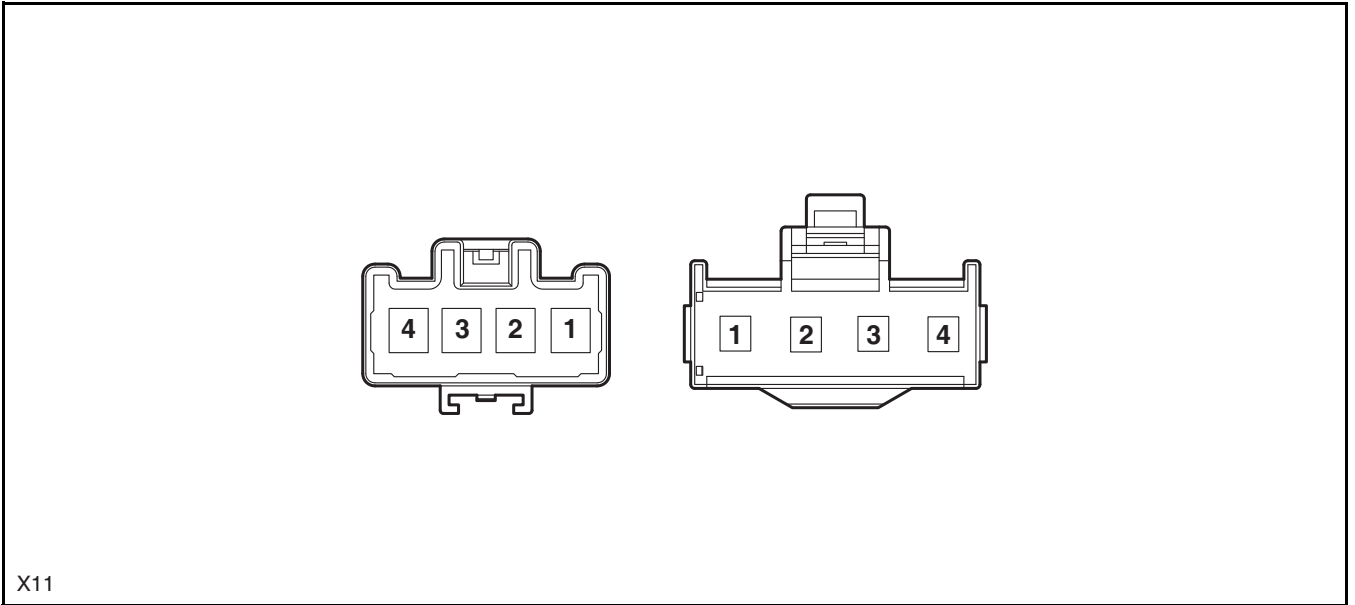
C01

Instrument Panel Fuse Box



Instrument Panel Wiring Harness to Engine
Compartment Wiring Harness (Left 3)

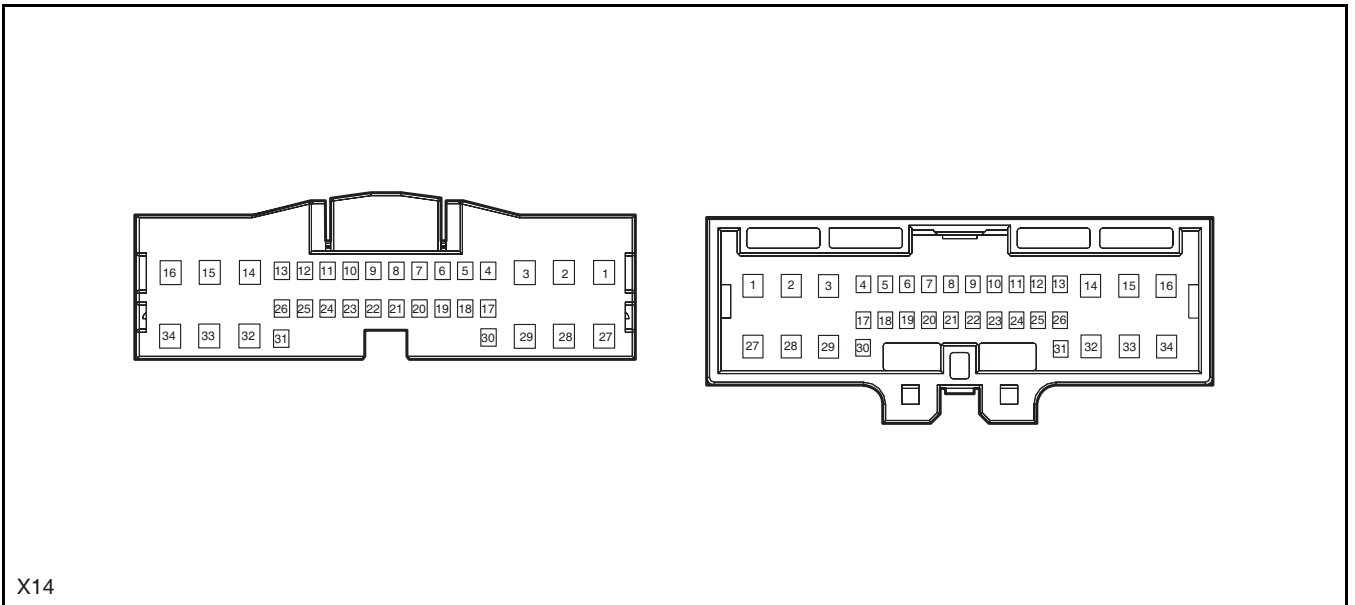
Engine Compartment Wiring Harness to Instrument
Panel Wiring Harness (Left 3)



X11

Instrument Panel Wiring Harness to Chassis Wiring
Harness (Center)

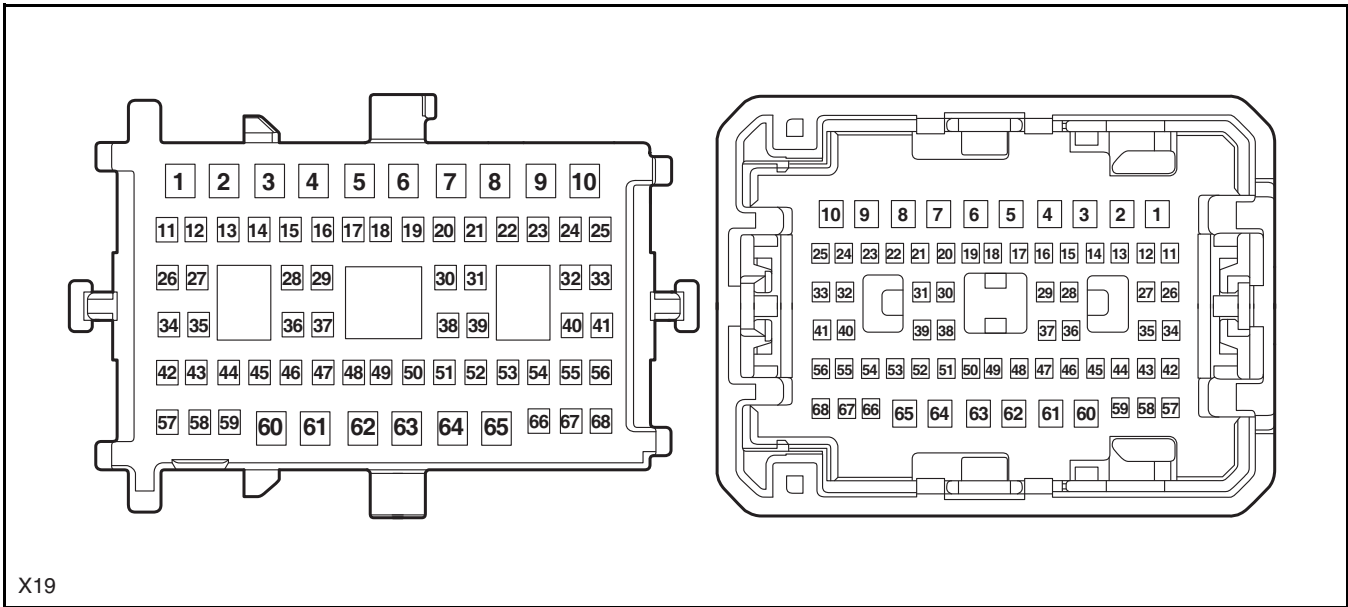
Chassis Wiring Harness to Instrument Panel Wiring
Harness (Center)



X14

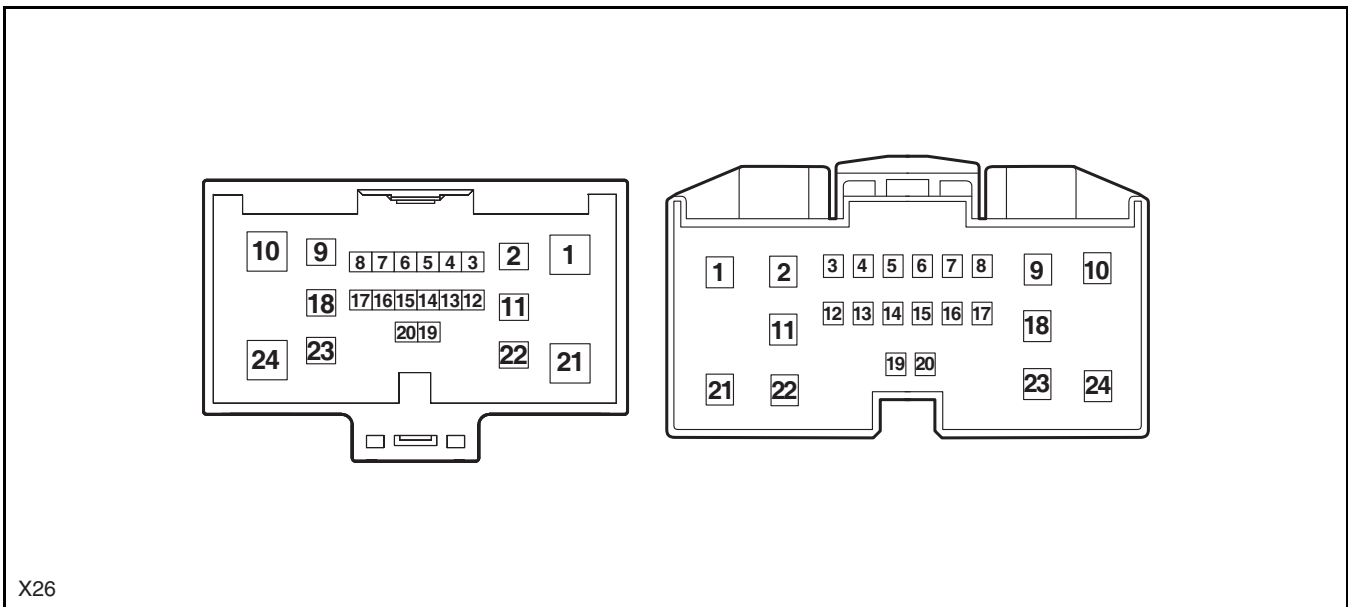
Instrument Panel Wiring Harness to Chassis Wiring Harness (Right 1)

Chassis Wiring Harness to Instrument Panel Wiring Harness (Right 1)

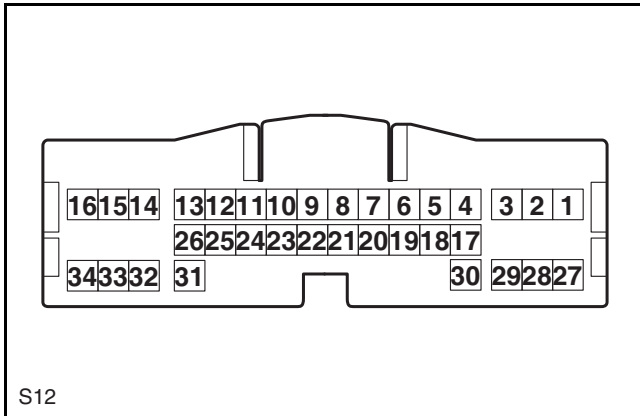


Chassis Wiring Harness to Engine Compartment Wiring Harness (Left 1)

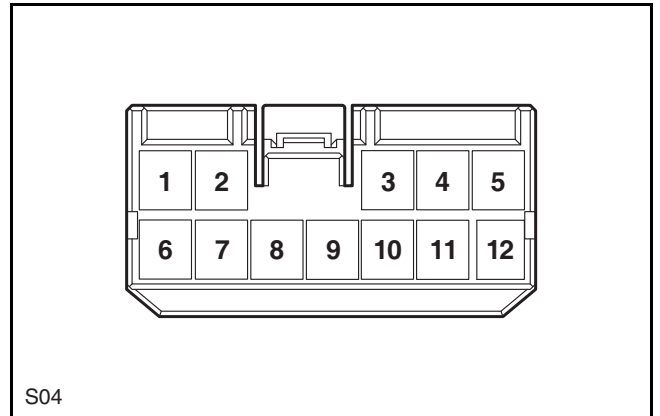
Engine Compartment Wiring Harness to Chassis Wiring Harness (Left 1)



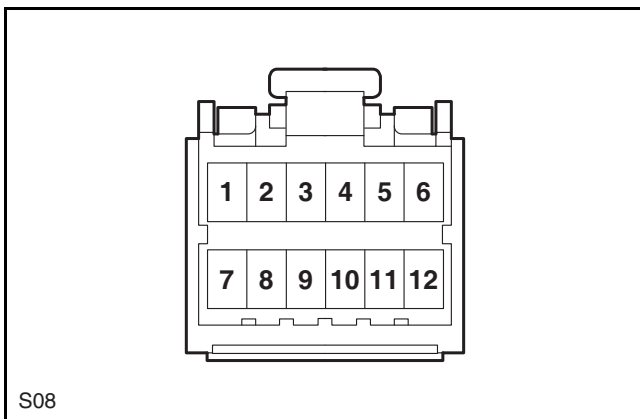
Driver Seat Heater Controller



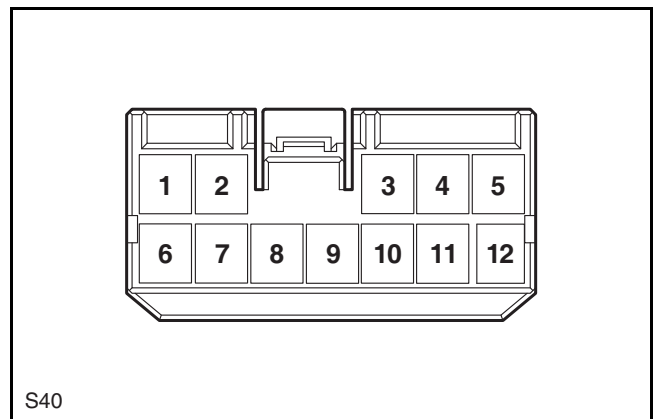
Front Passenger Seat Heating Controller



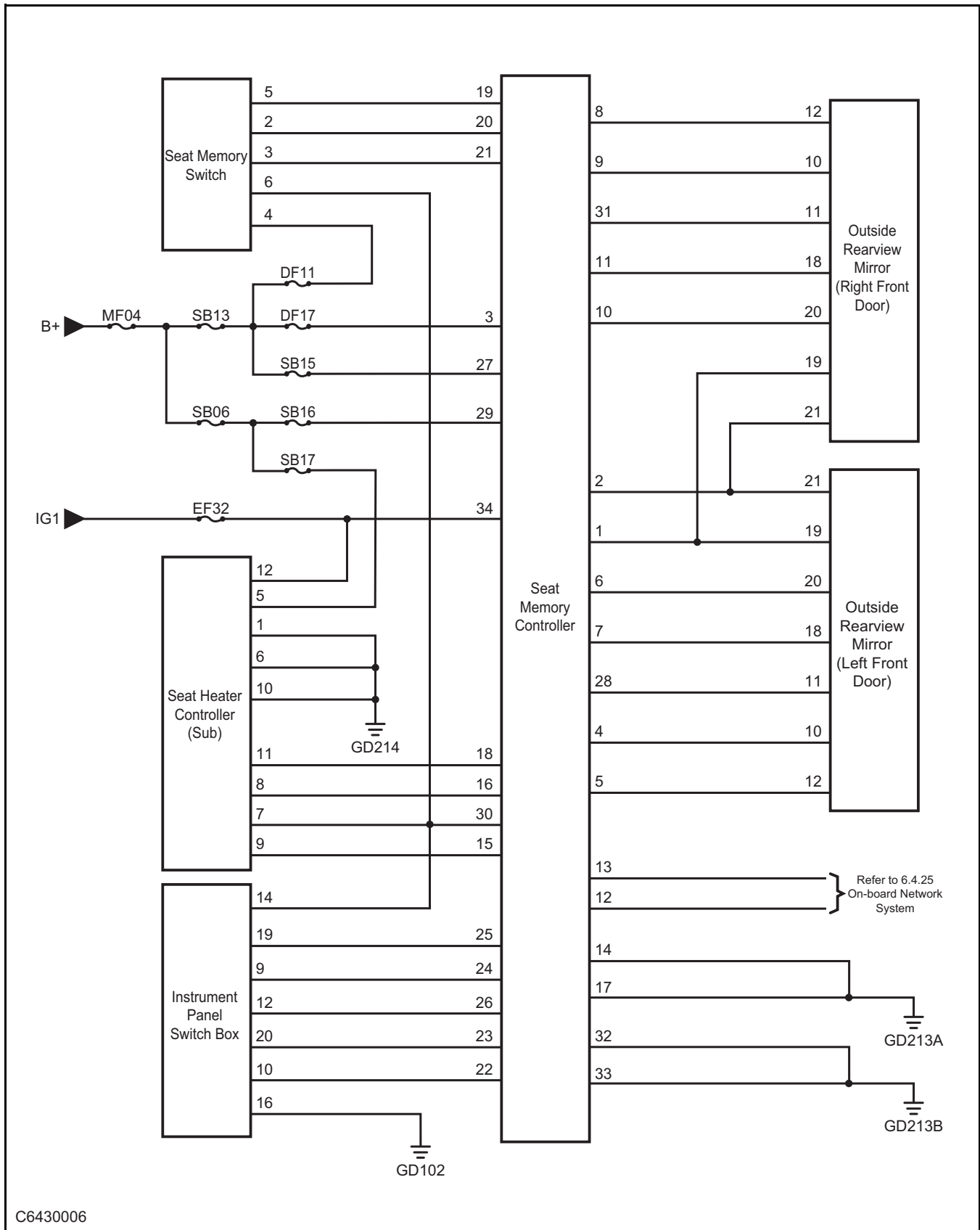
Rear Seat Heater Switch



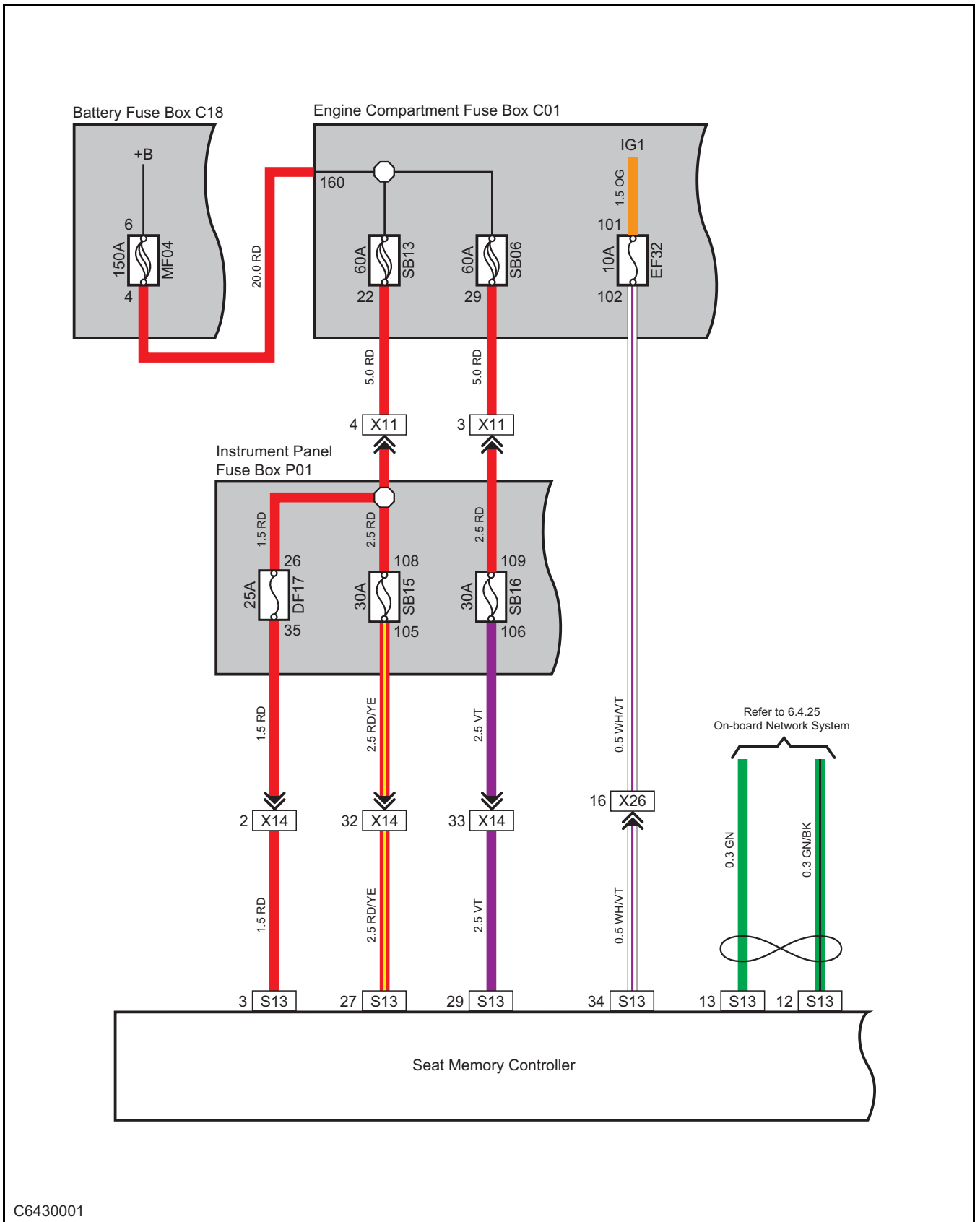
Rear Seat Heating Controller



Seat Memory System

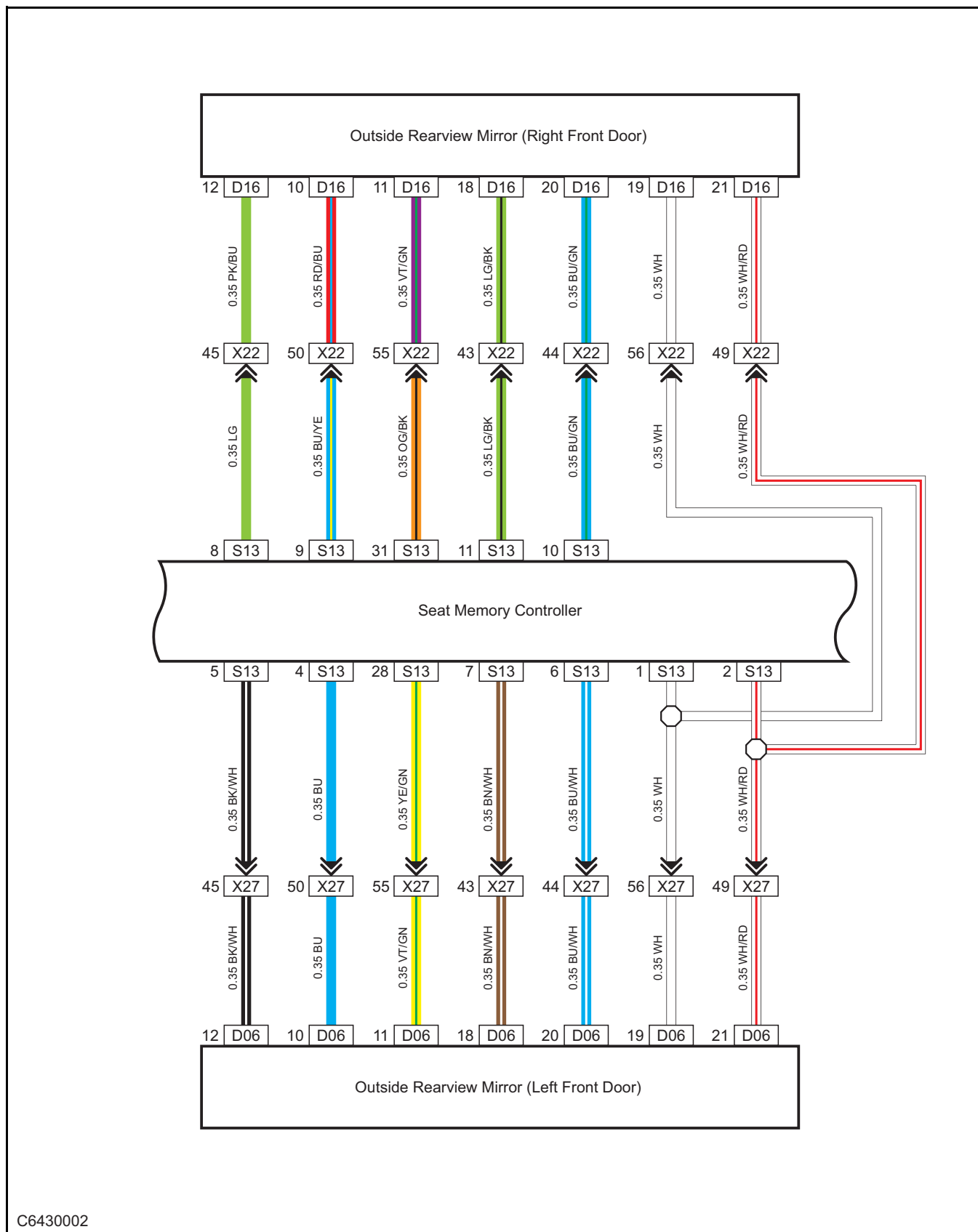


Power Supply (Russia LV4, G.C.C. LV4)



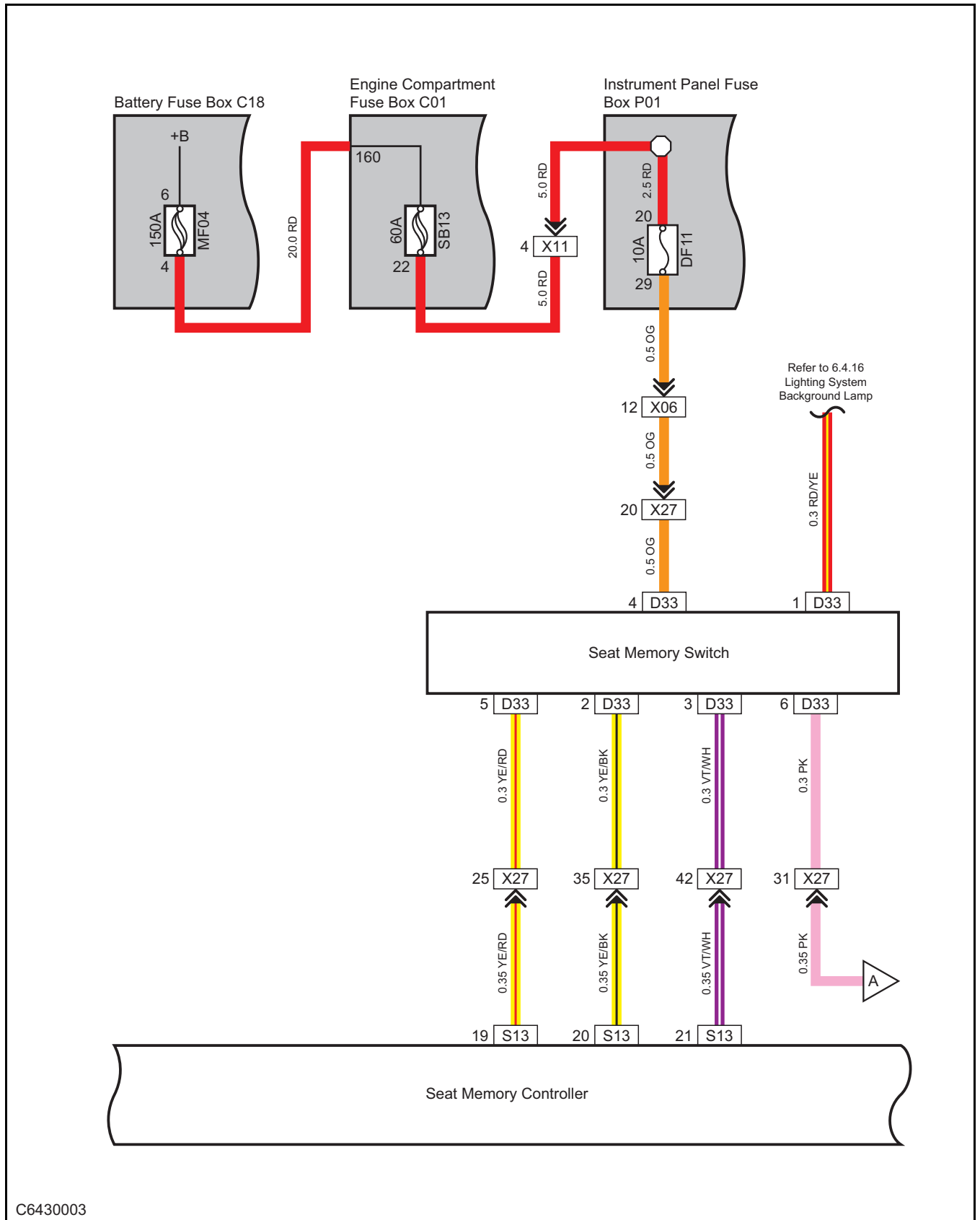
C6430001

Seat Memory Mirror (Russia LV4, G.C.C. LV4)



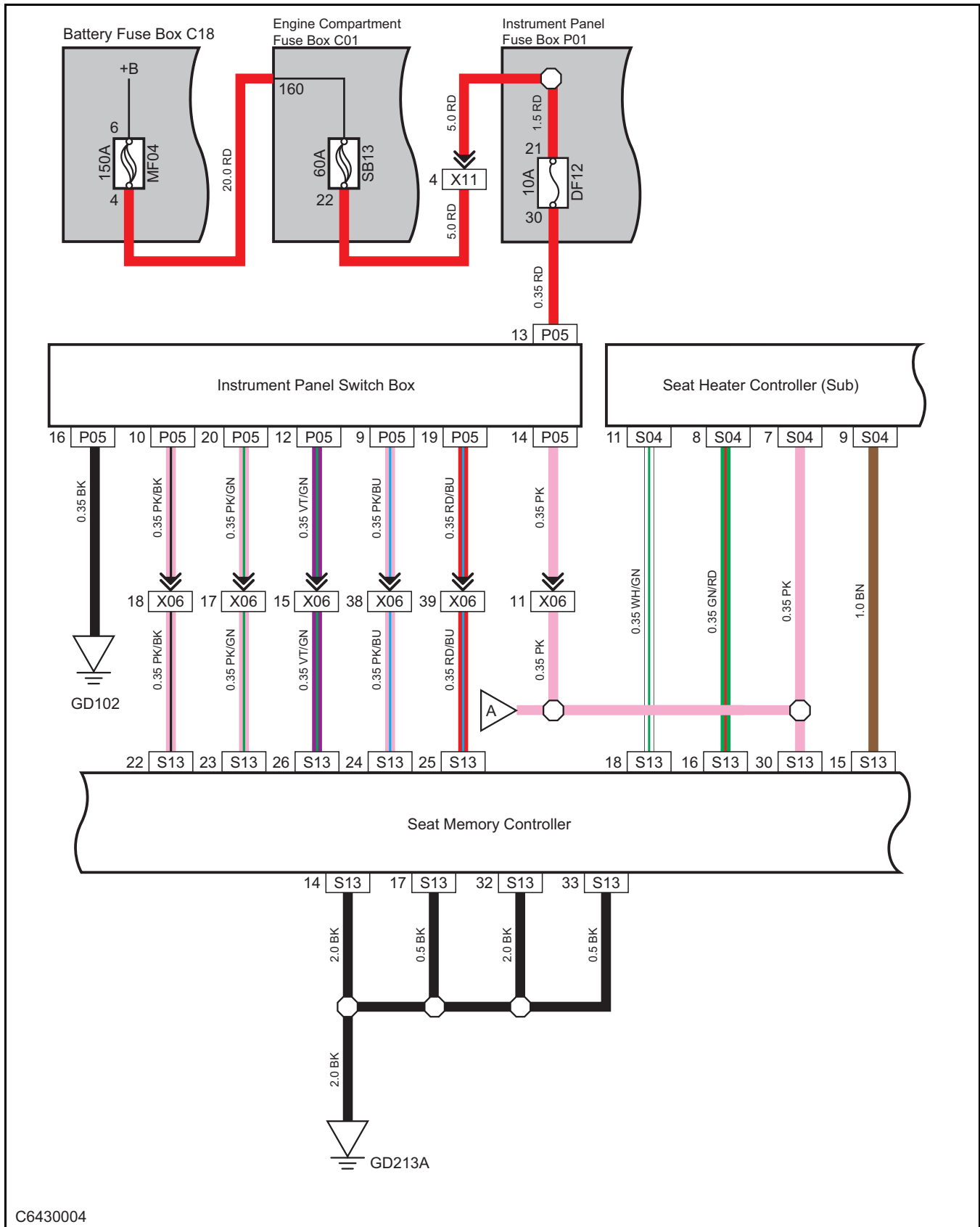
C6430002

Seat Memory Switch (G.C.C. LV4)



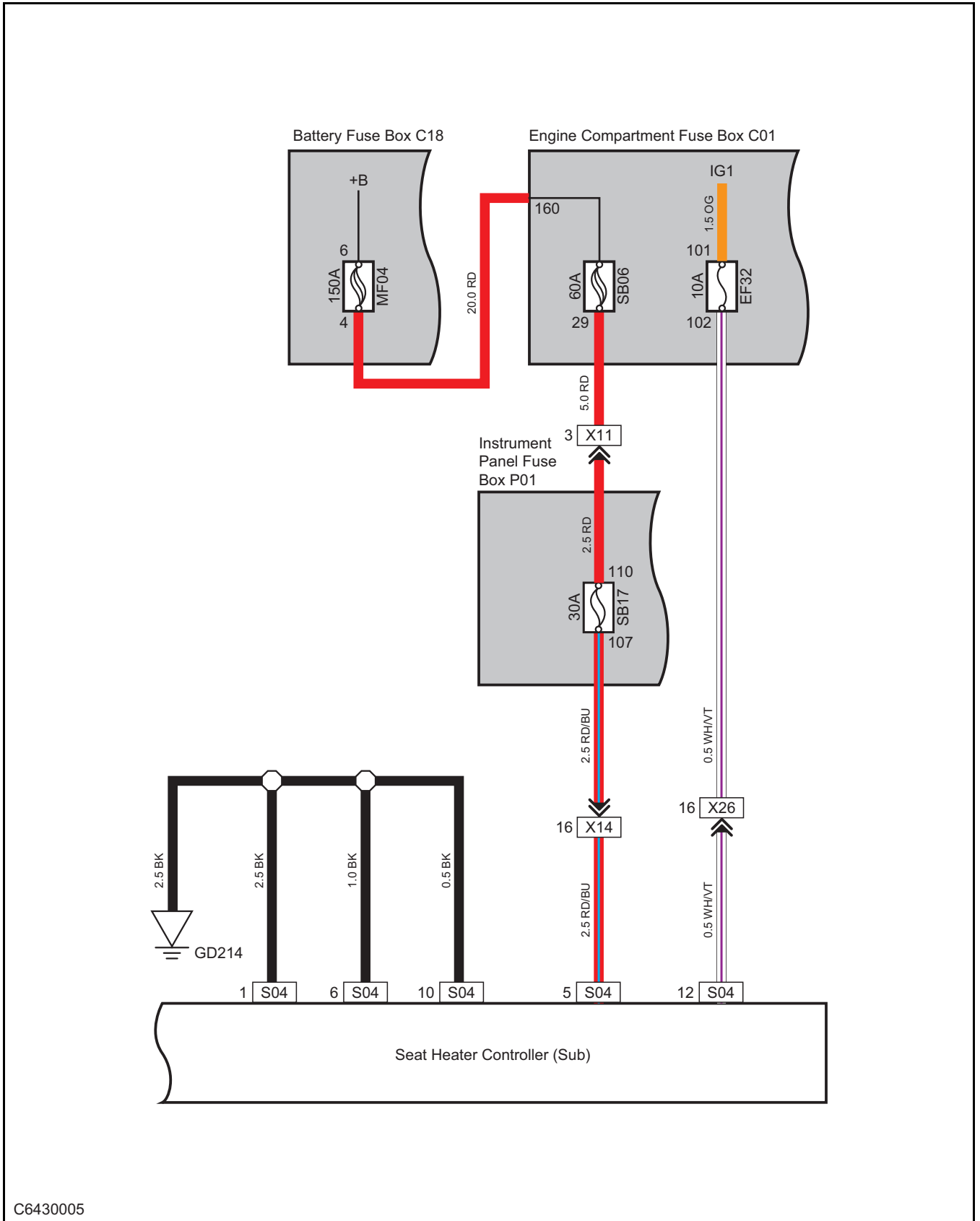
C6430003

Instrument Panel Switch Box (Russia LV4, G.C.C. LV4)



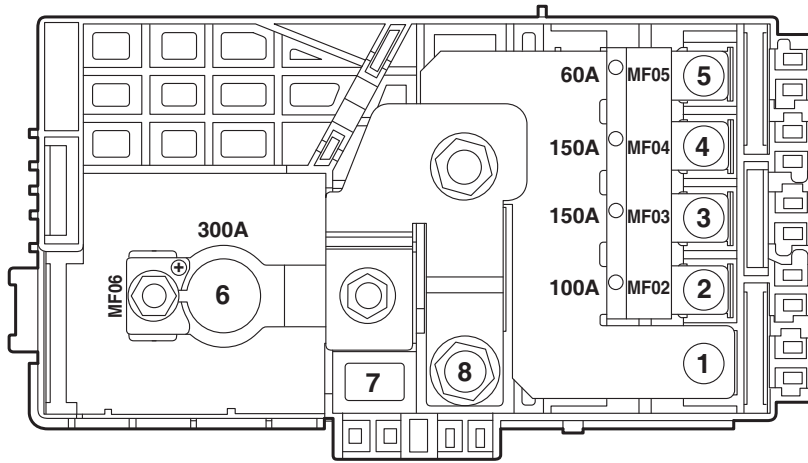
C6430004

Front Passenger Seat Heating Controller (Russia LV4, G.C.C. LV4)



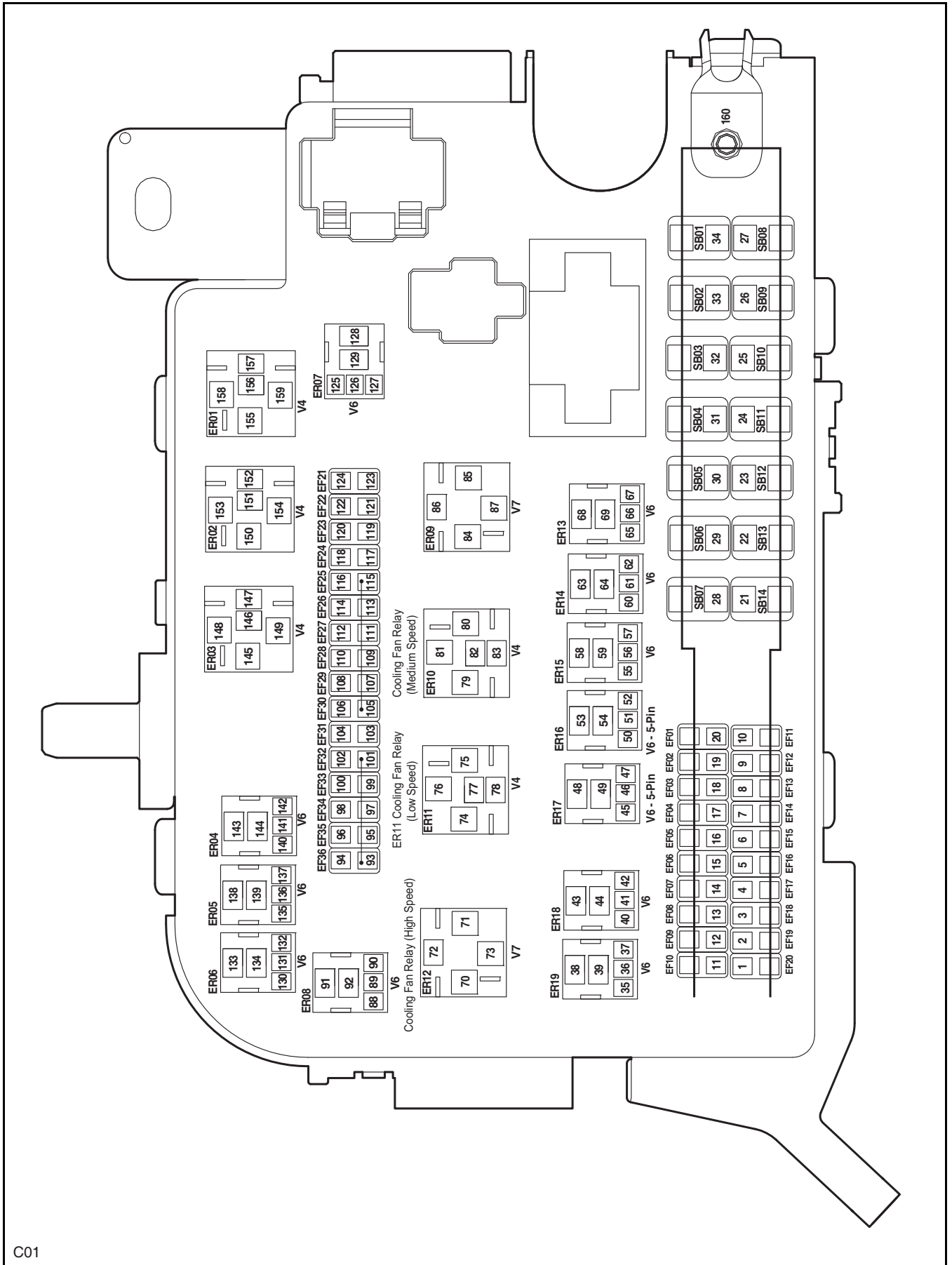
C6430005

Battery Fuse Box



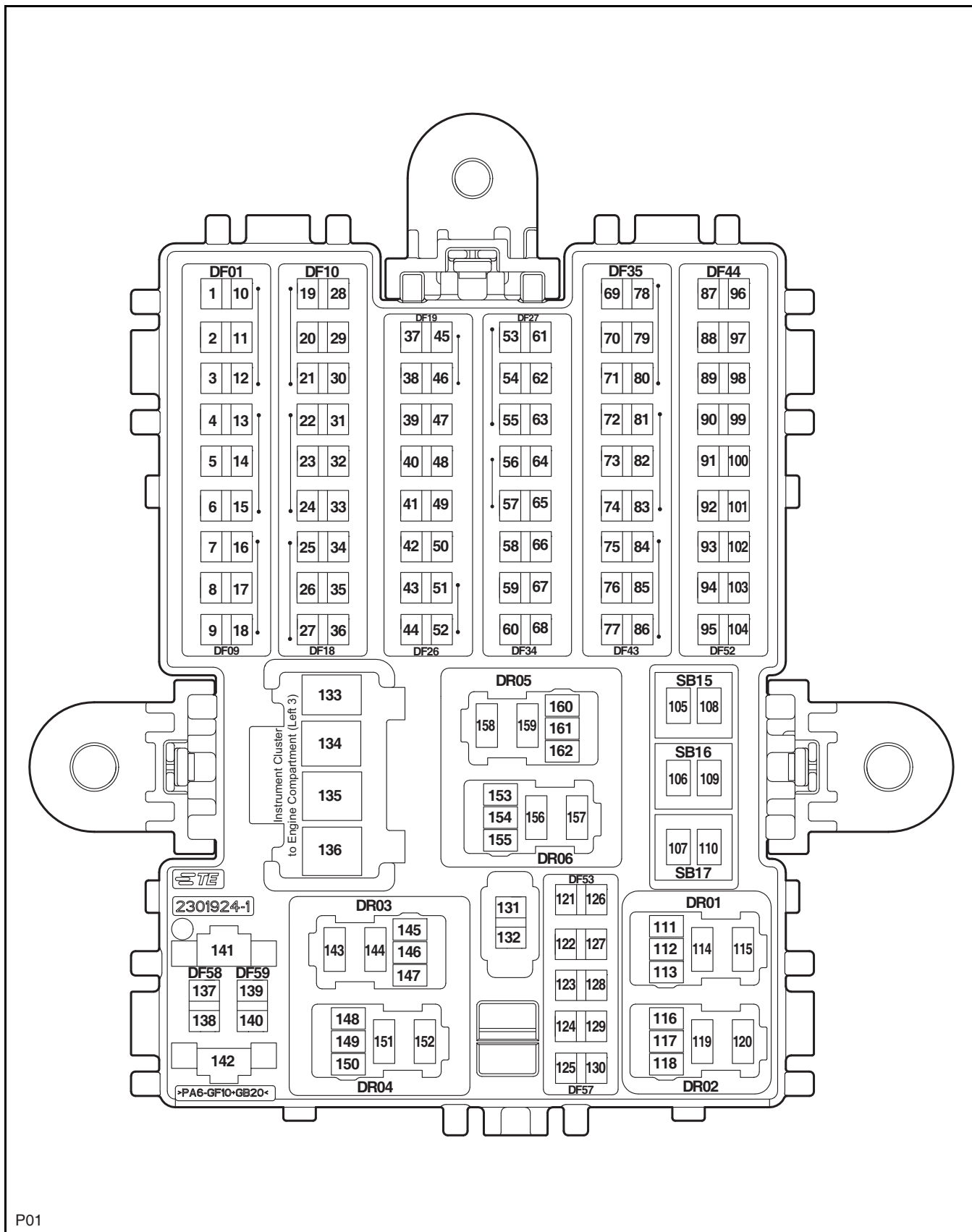
C18

Engine Compartment Fuse Box



C01

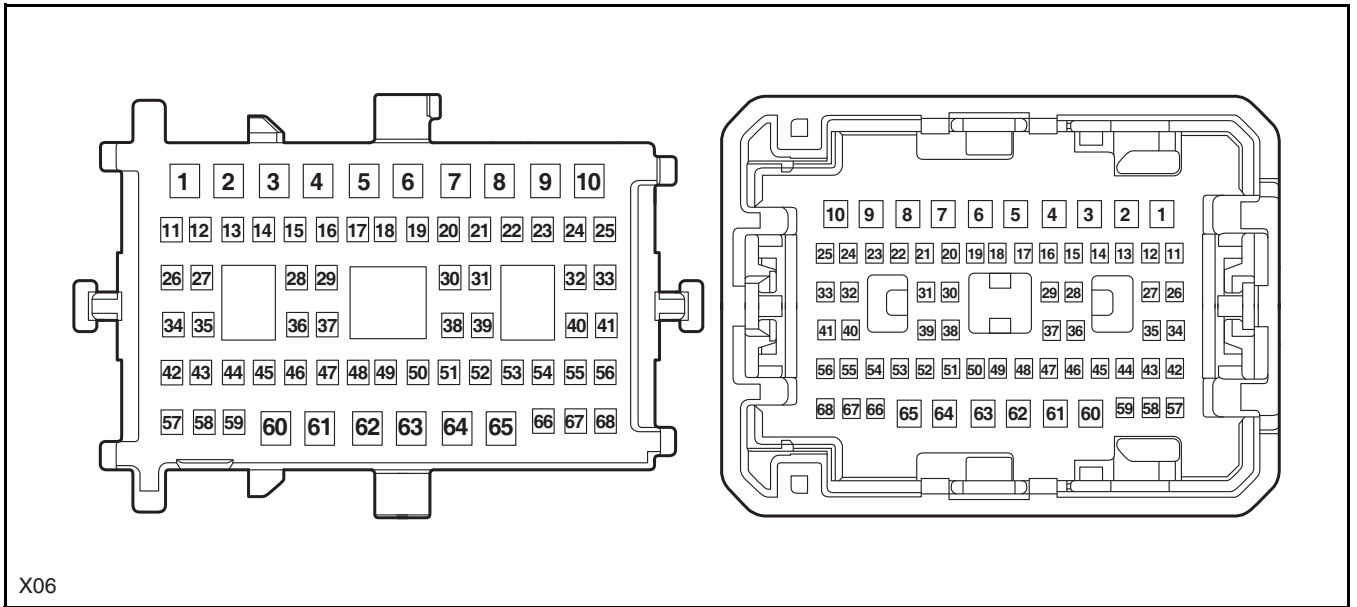
Instrument Panel Fuse Box



P01

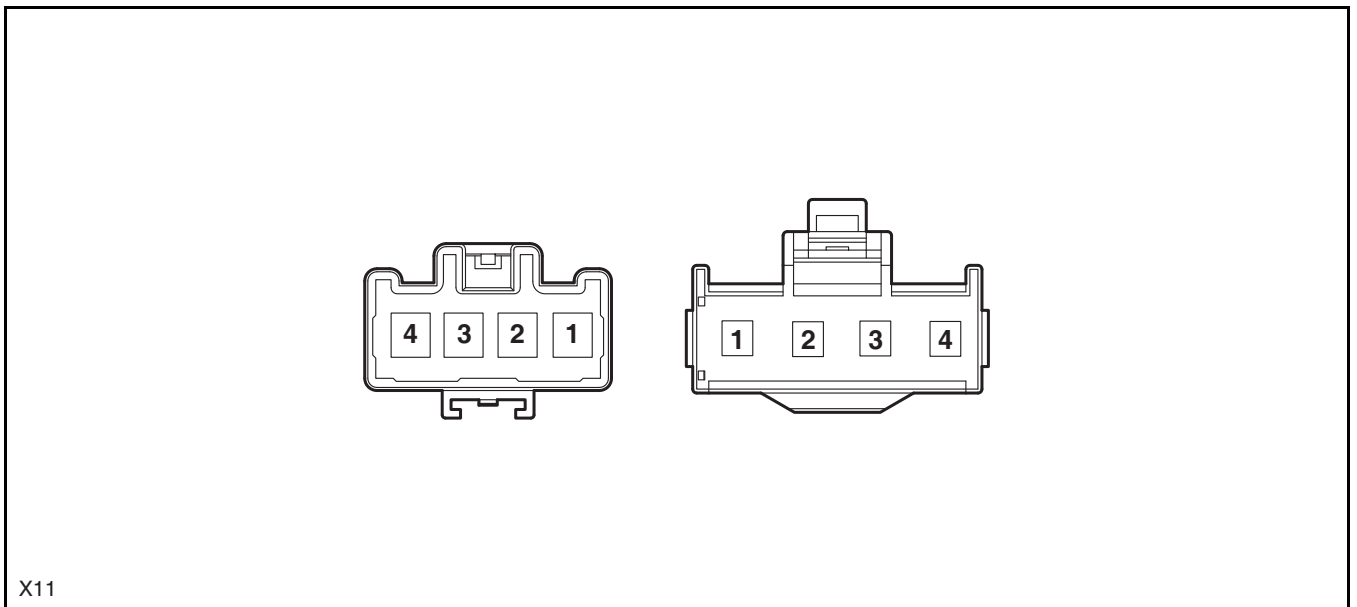
Instrument Panel Wiring Harness to Chassis Wiring Harness (Left 1)

Chassis Wiring Harness to Instrument Panel Wiring Harness (Left 1)



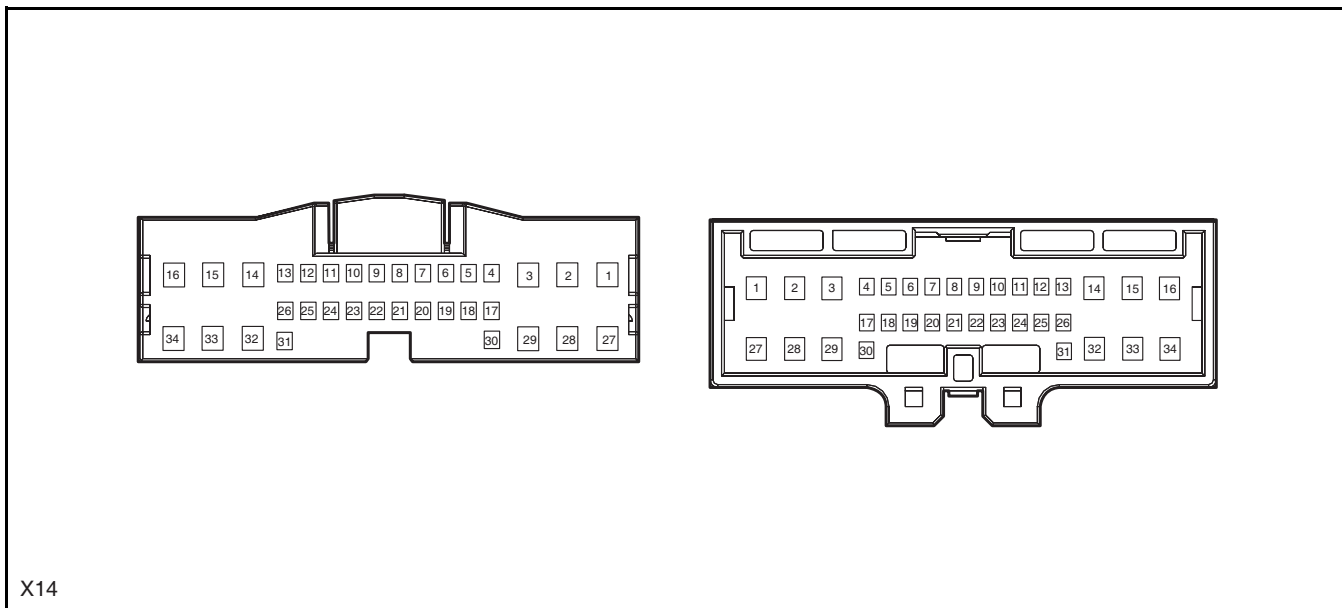
Instrument Panel Wiring Harness to Engine Compartment Wiring Harness (Left 3)

Engine Compartment Wiring Harness to Instrument Panel Wiring Harness (Left 3)



Instrument Panel Wiring Harness to Chassis Wiring Harness (Center)

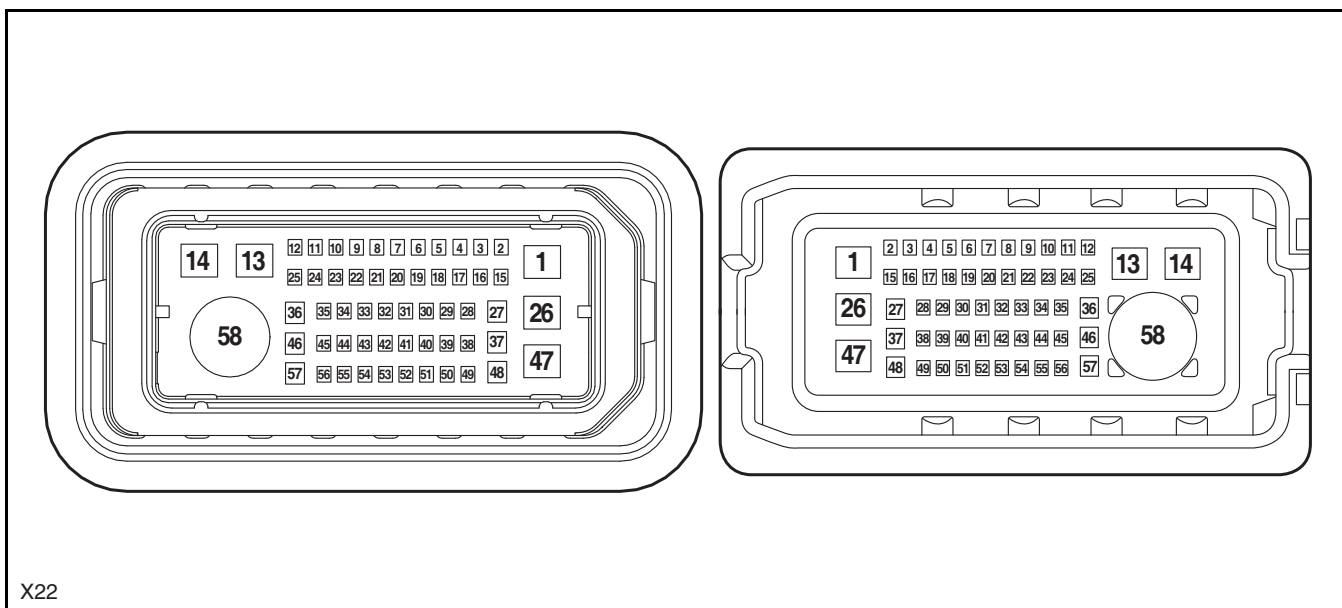
Chassis Wiring Harness to Instrument Panel Wiring Harness (Center)



X14

Chassis Wiring Harness to Right Front Door Wiring Harness

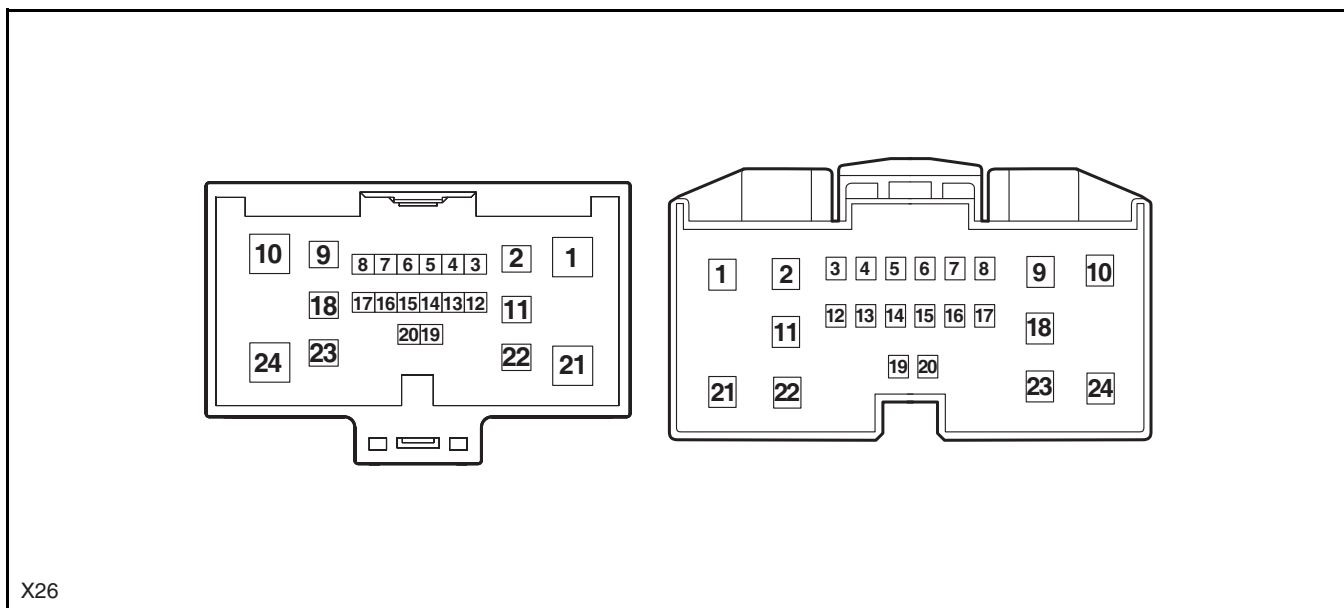
Right Front Door Wiring Harness to Chassis Wiring Harness



X22

Chassis Wiring Harness to Engine Compartment Wiring Harness (Left 1)

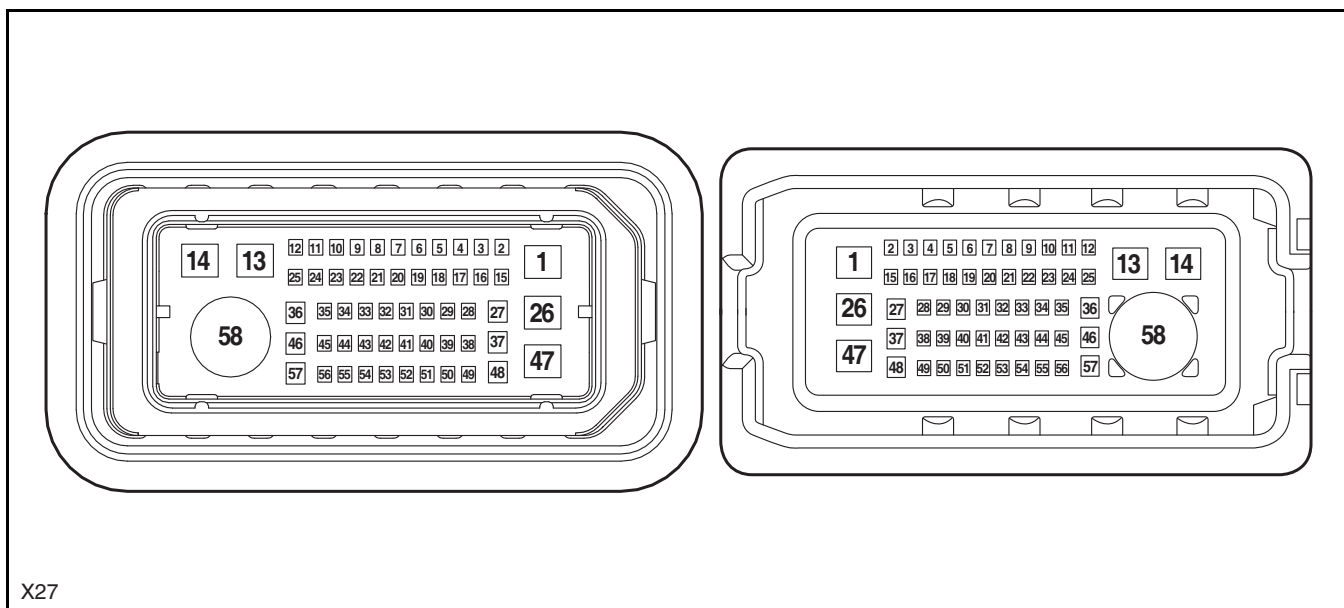
Engine Compartment Wiring Harness to Chassis Wiring Harness (Left 1)



X26

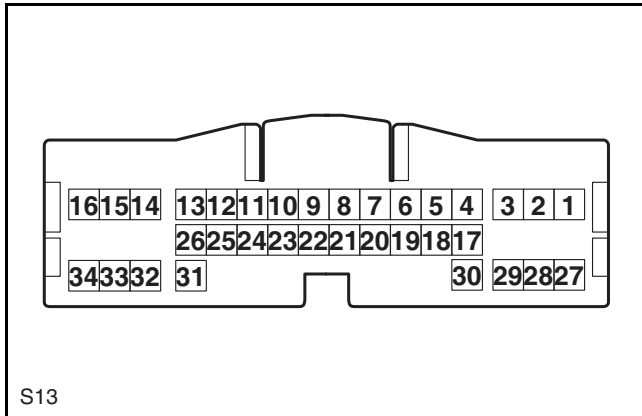
Chassis Wiring Harness to Left Front Door Wiring Harness

Left Front Door Wiring Harness to Chassis Wiring Harness

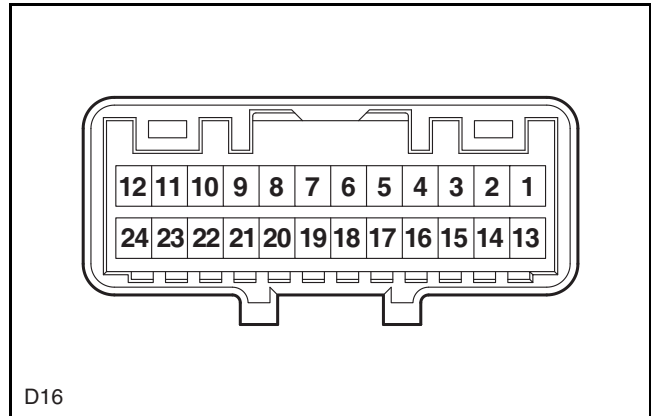


X27

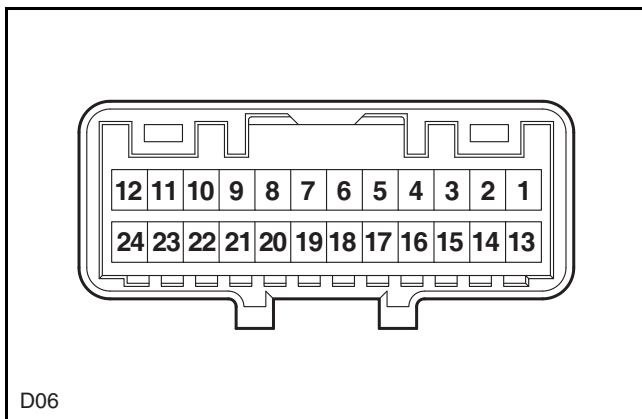
Seat Memory Controller



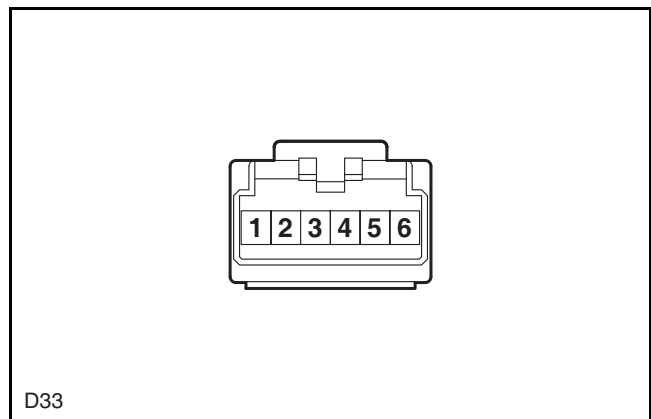
Outside Rearview Mirror (Right Front Door)



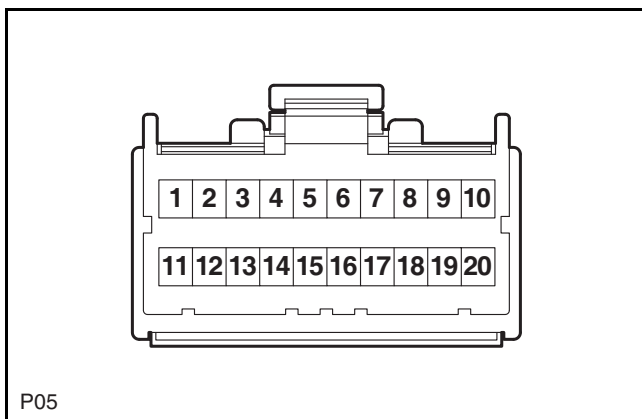
Outside Rearview Mirror (Left Front Door)



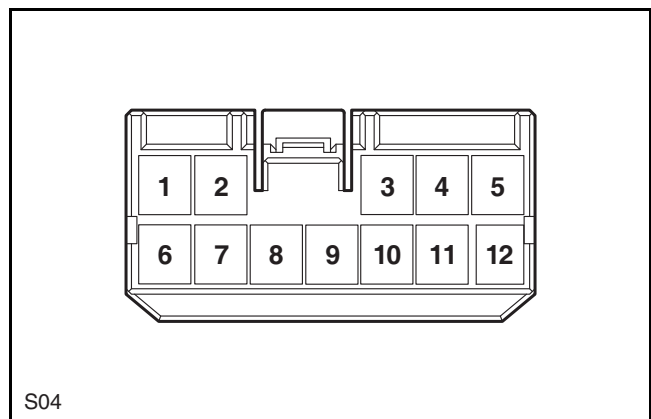
Seat Memory Switch



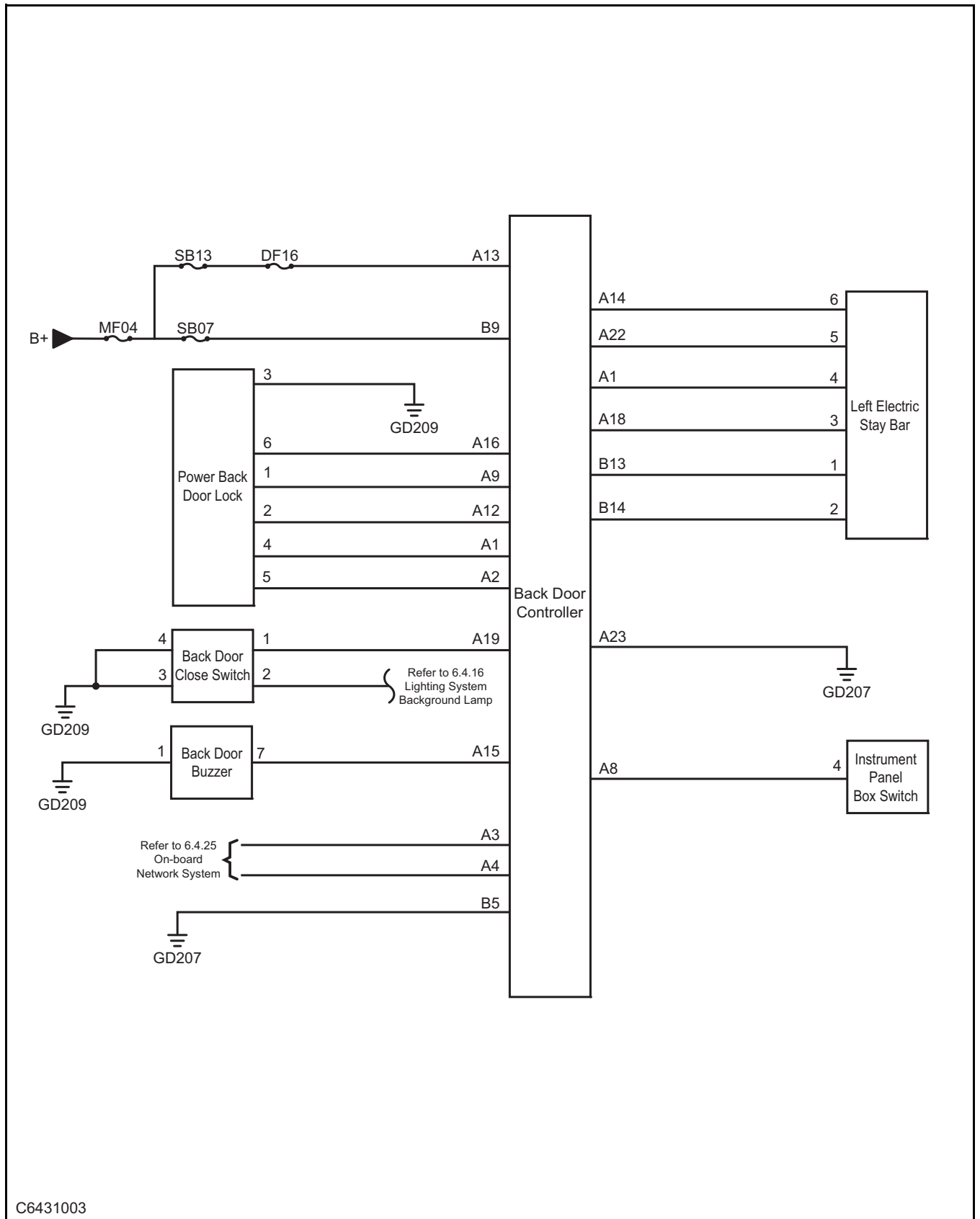
Instrument Panel Switch Box



Front Passenger Seat Heating Controller

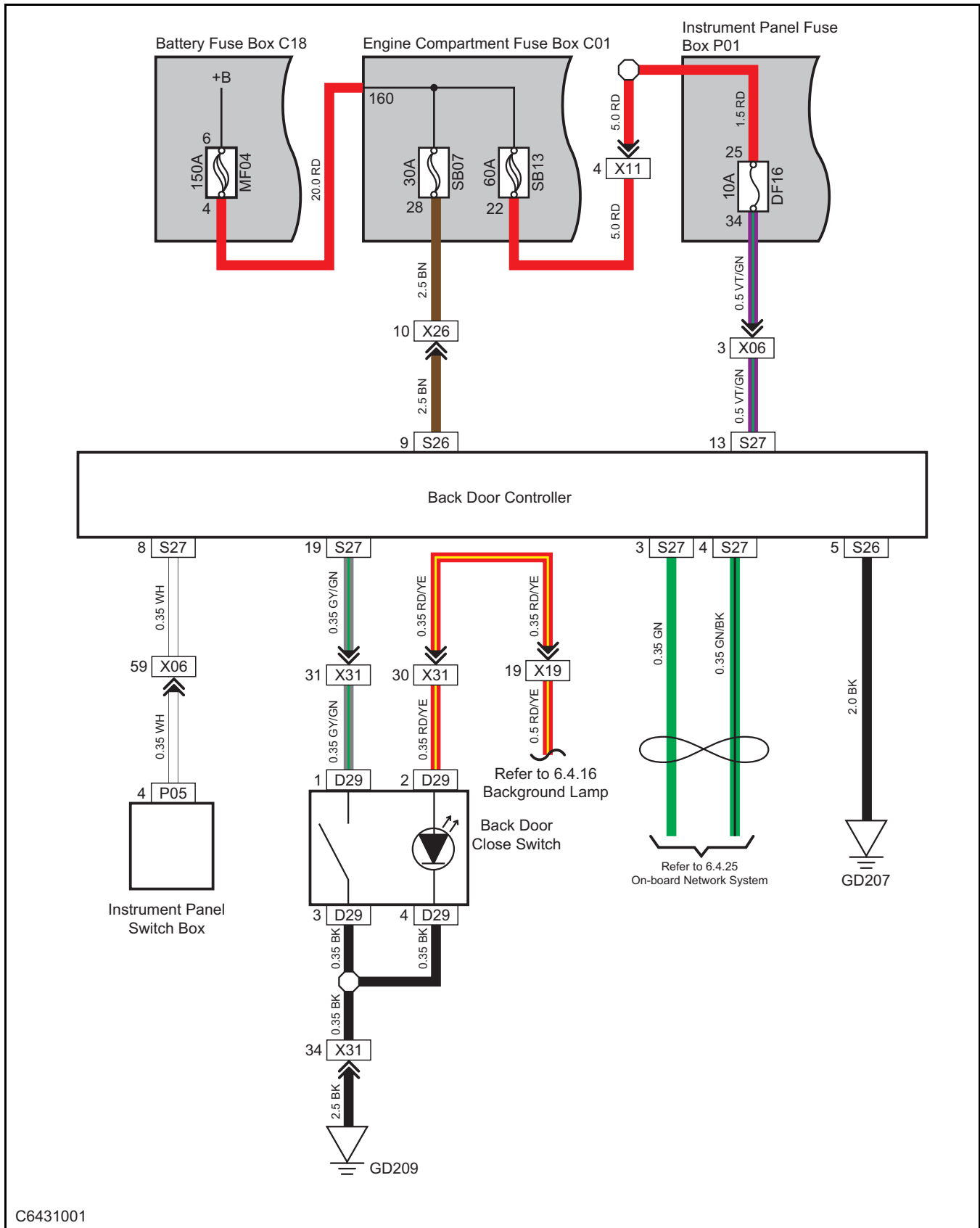


Power Back Door System



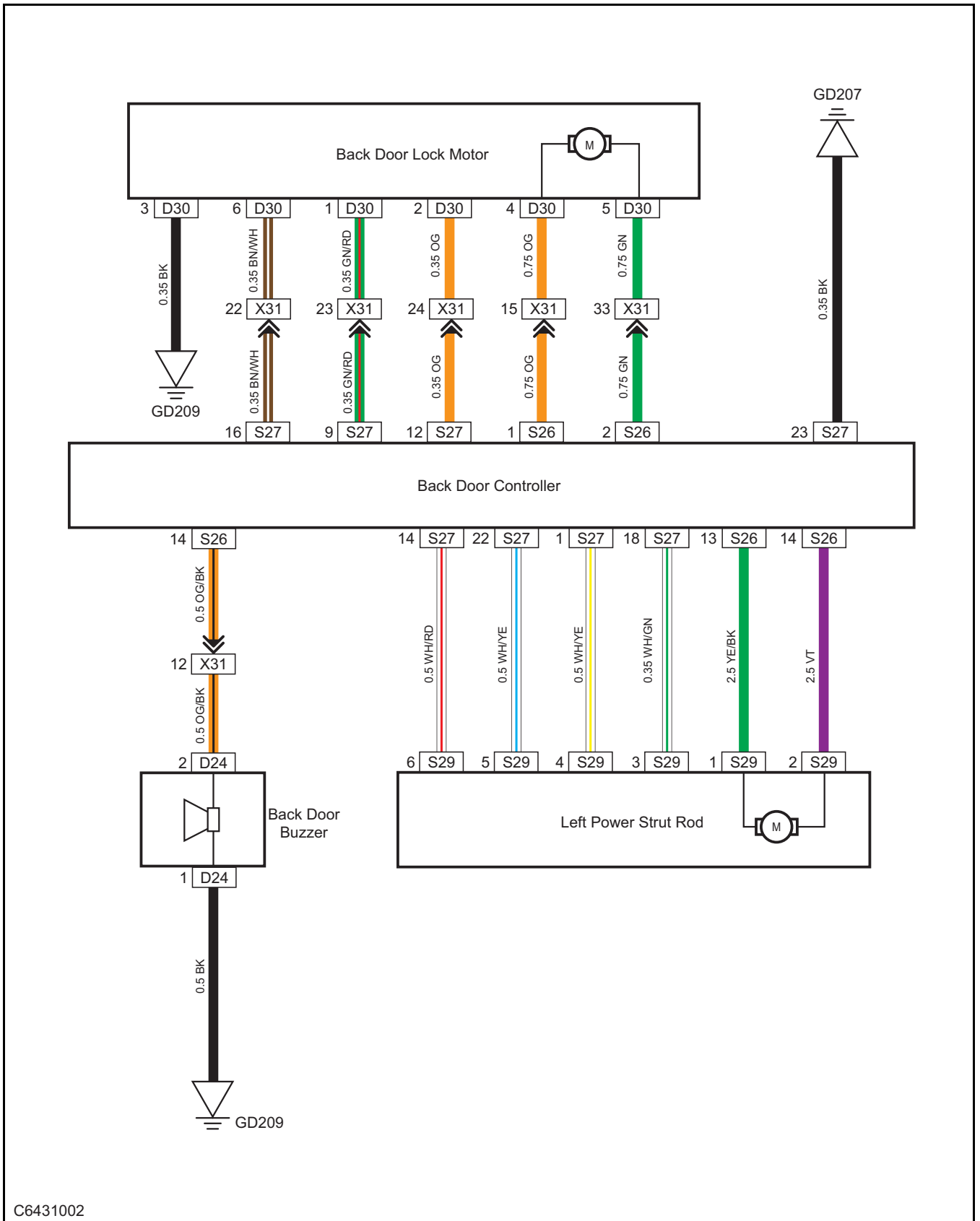
C6431003

Power Supply/Instrument Panel Switch Box/Back Door Close Switch



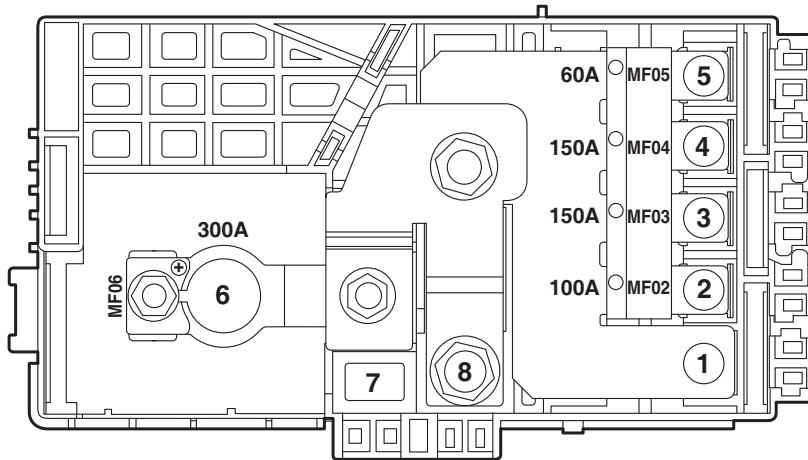
C6431001

Back Door Lock Motor/Back Door Buzzer/Left Electric Stay Bar



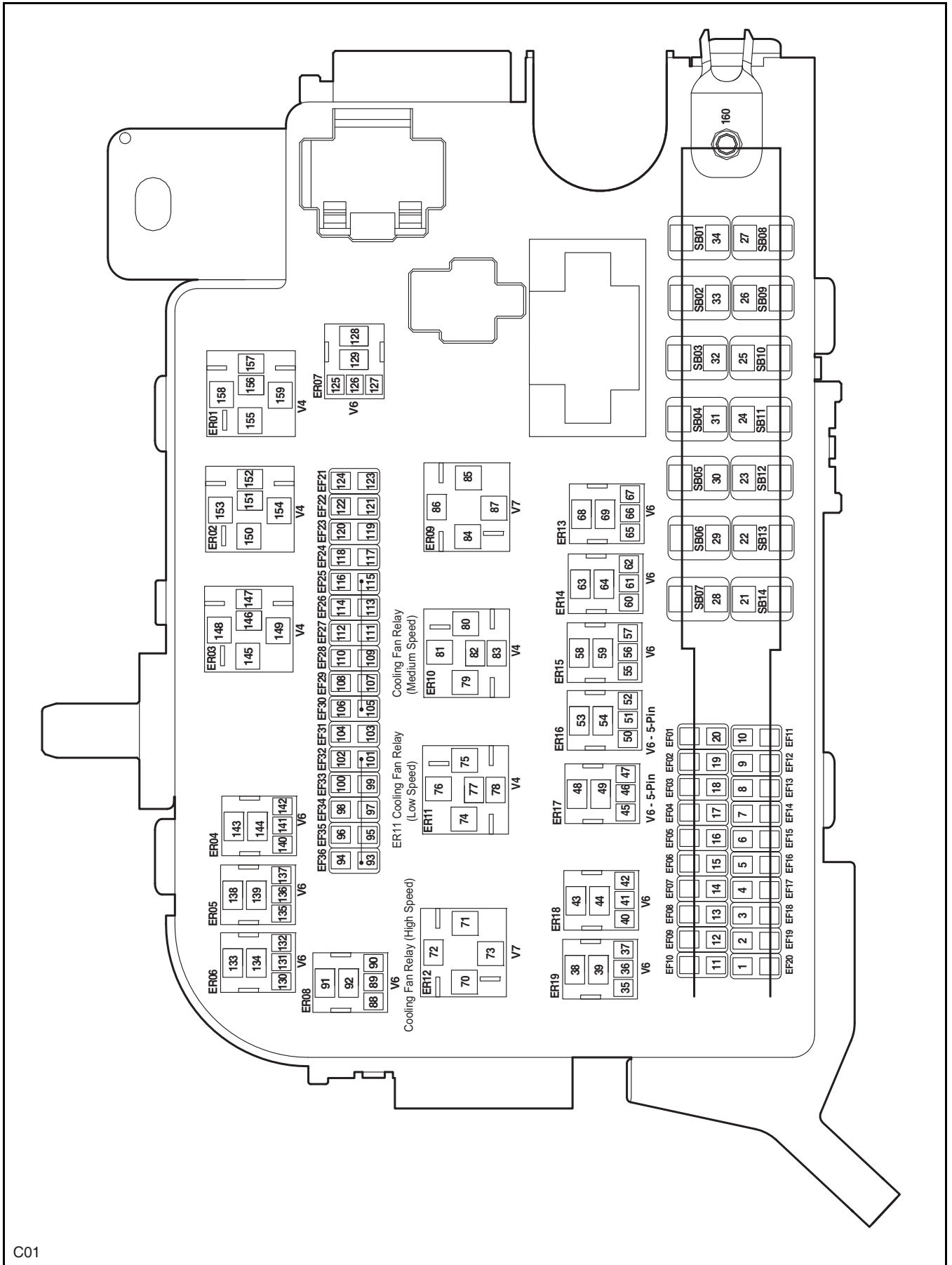
C6431002

Battery Fuse Box



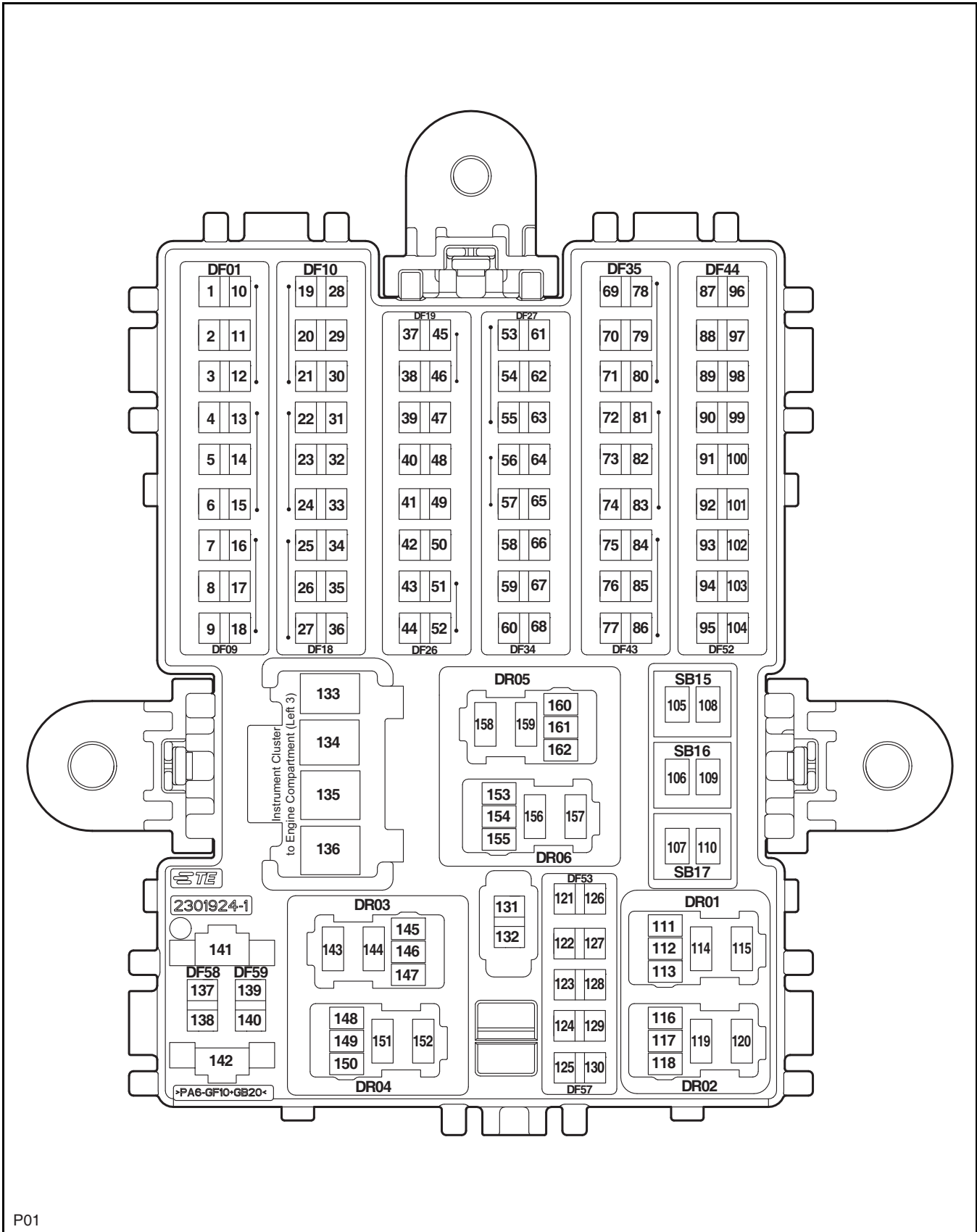
C18

Engine Compartment Fuse Box



C01

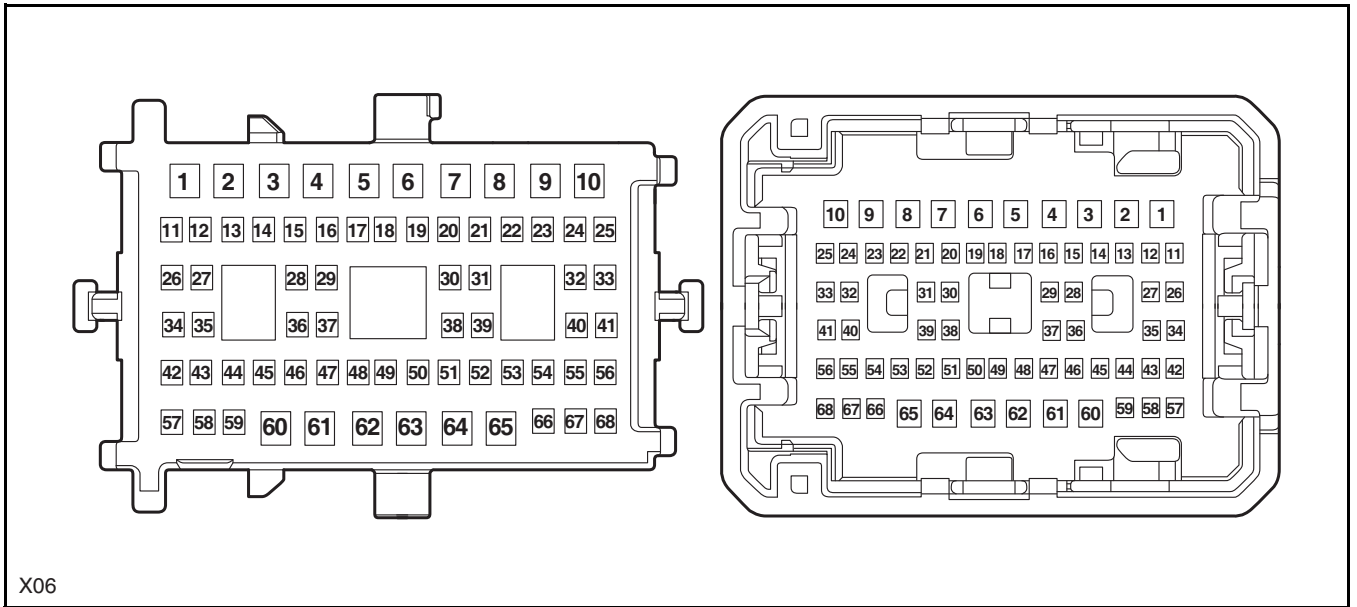
Instrument Panel Fuse Box



P01

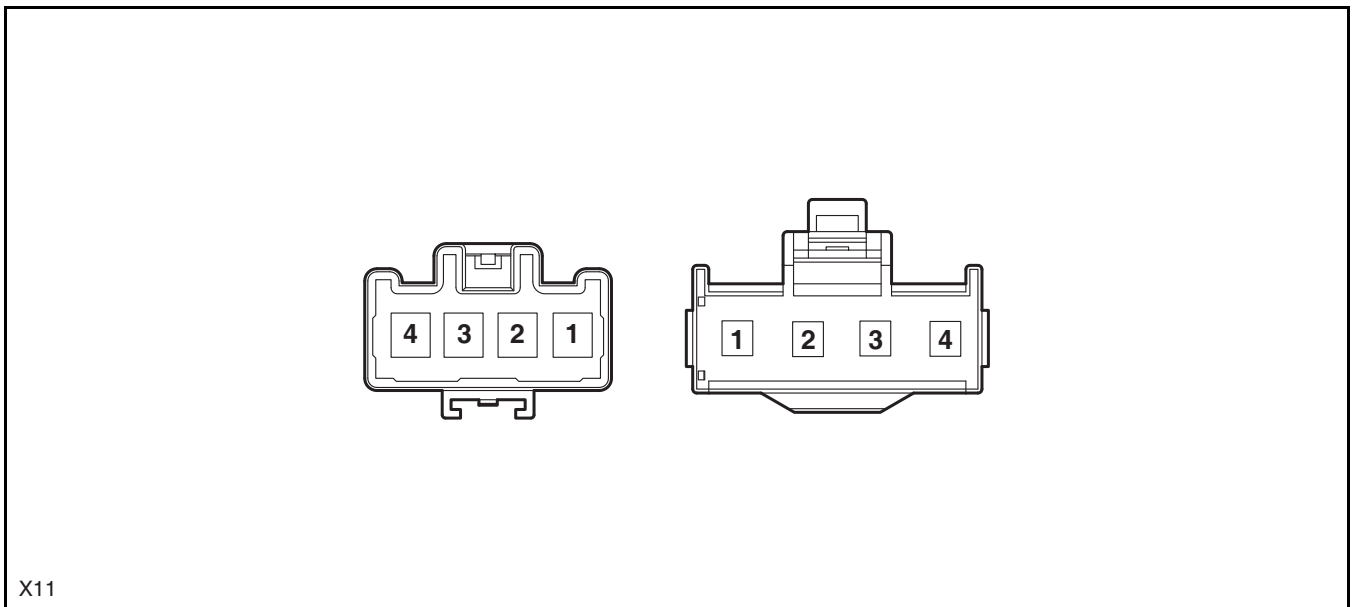
Instrument Panel Wiring Harness to Chassis Wiring Harness (Left 1)

Chassis Wiring Harness to Instrument Panel Wiring Harness (Left 1)



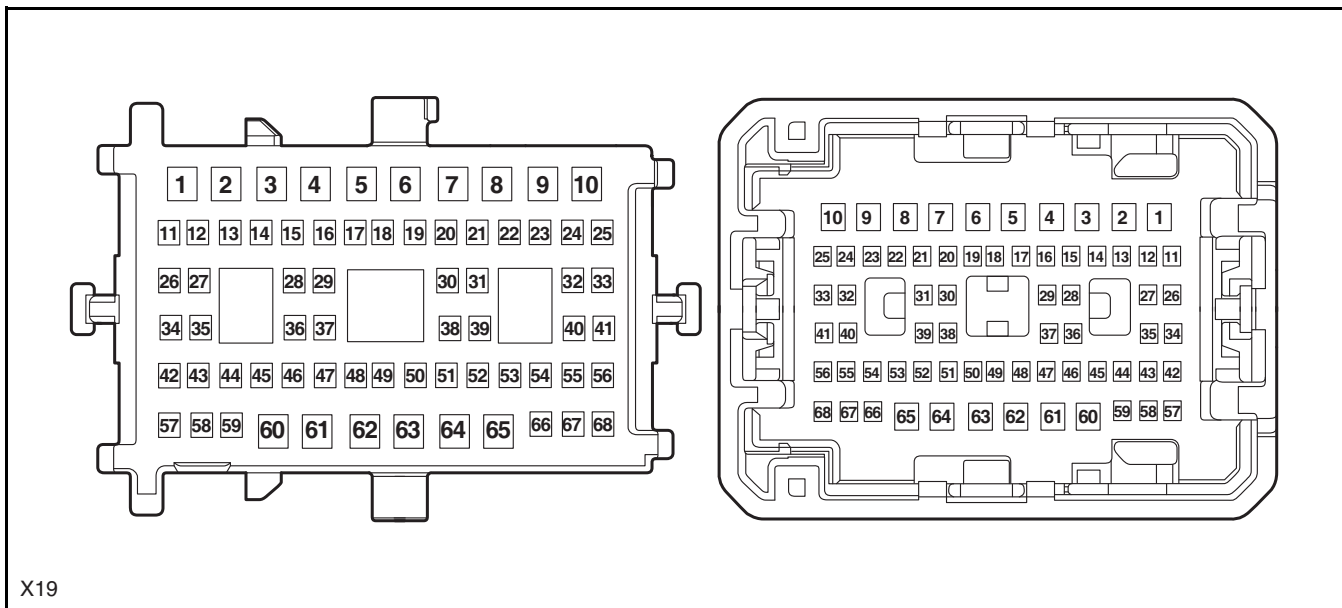
Instrument Panel Wiring Harness to Engine Compartment Wiring Harness (Left 3)

Engine Compartment Wiring Harness to Instrument Panel Wiring Harness (Left 3)



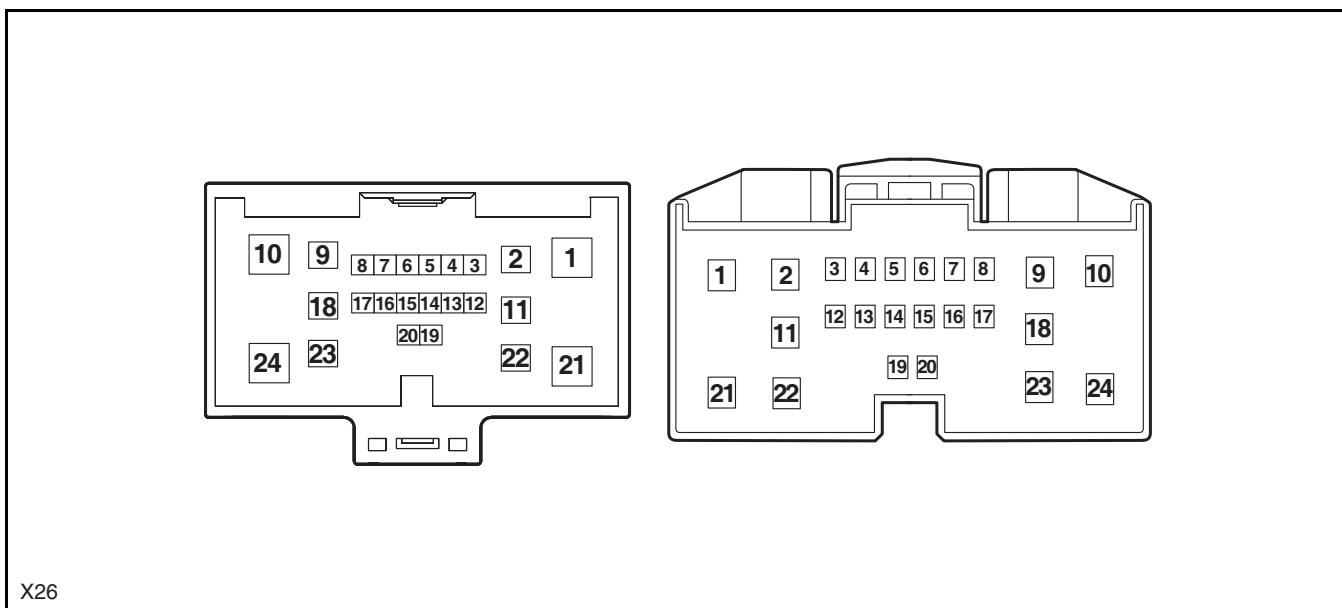
Instrument Panel Wiring Harness to Chassis Wiring Harness (Right 1)

Chassis Wiring Harness to Instrument Panel Wiring Harness (Right 1)



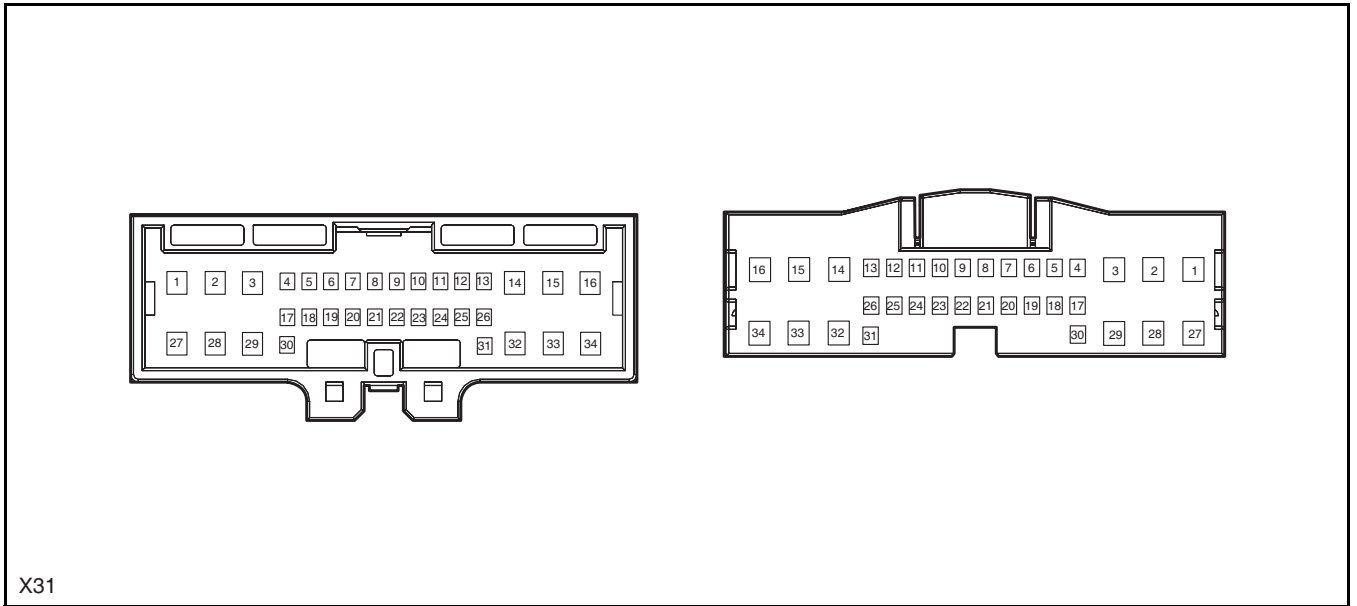
Chassis Wiring Harness to Engine Compartment Wiring Harness (Left 1)

Engine Compartment Wiring Harness to Chassis Wiring Harness (Left 1)



Chassis Wiring Harness to Back Door Wiring Harness

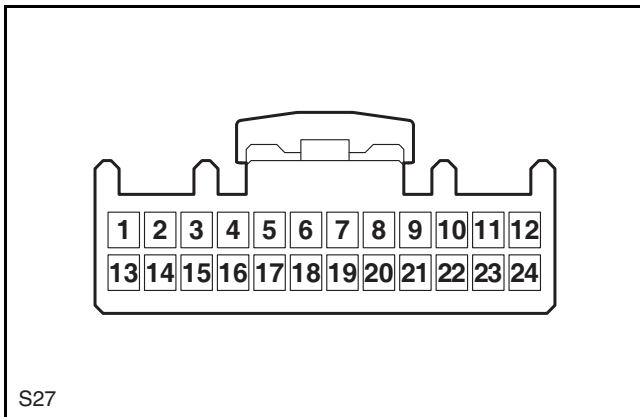
Back Door Wiring Harness to Chassis Wiring Harness



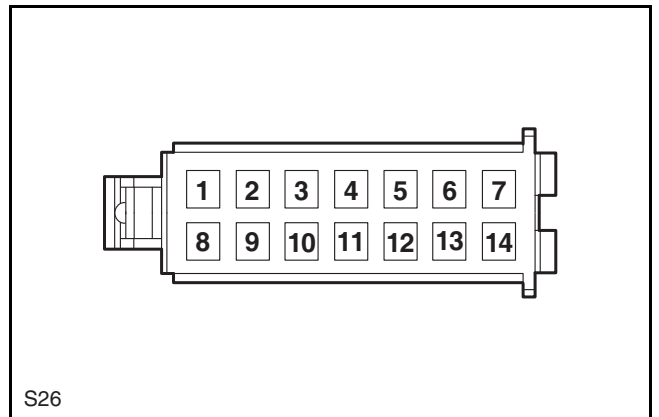
X31

Back Door Controller 1

Back Door Controller 2

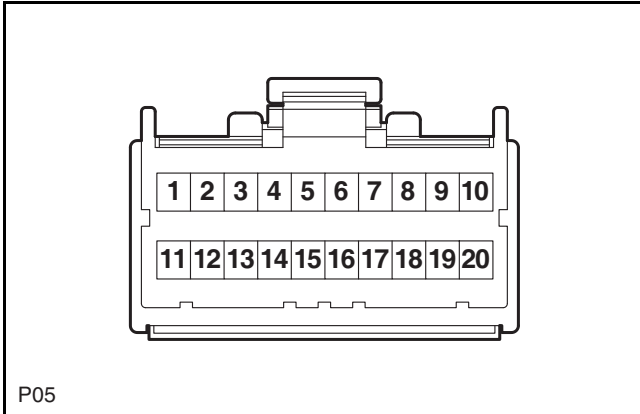


S27



S26

Instrument Panel Switch Box



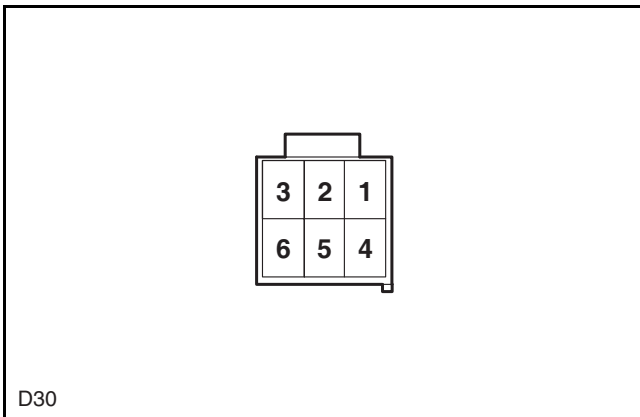
P05

Back Door Close Switch



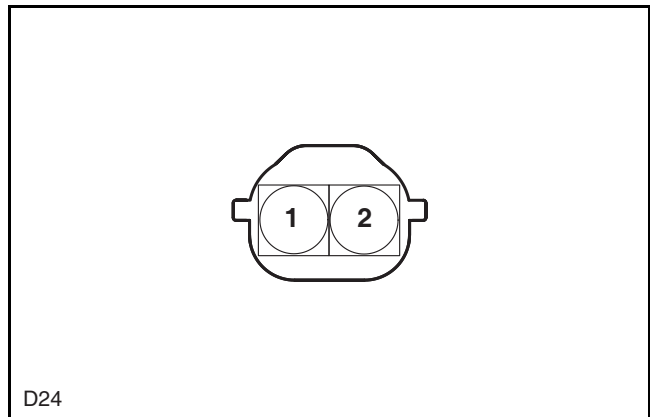
D29

Back Door Lock Motor



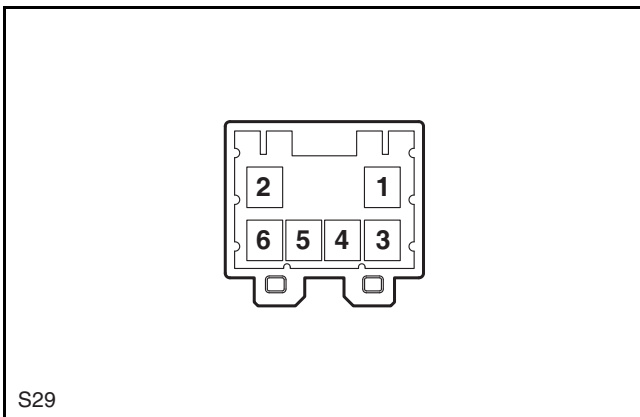
D30

Back Door Buzzer



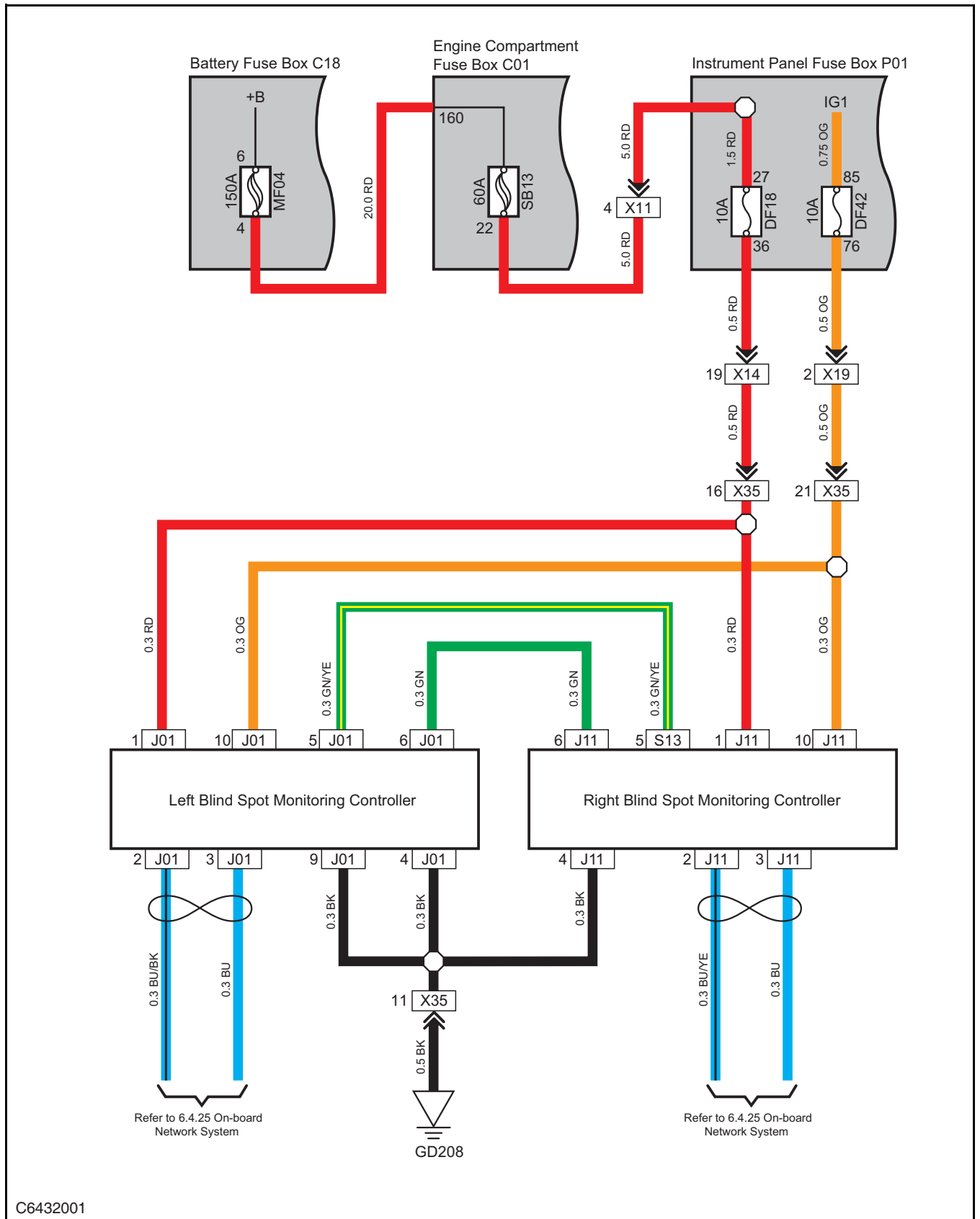
D24

Left Power Strut Rod

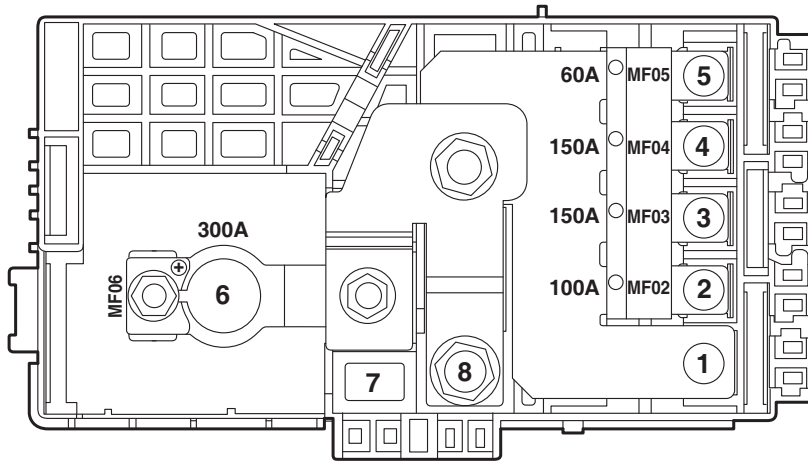


S29

Blind Spot Monitoring System

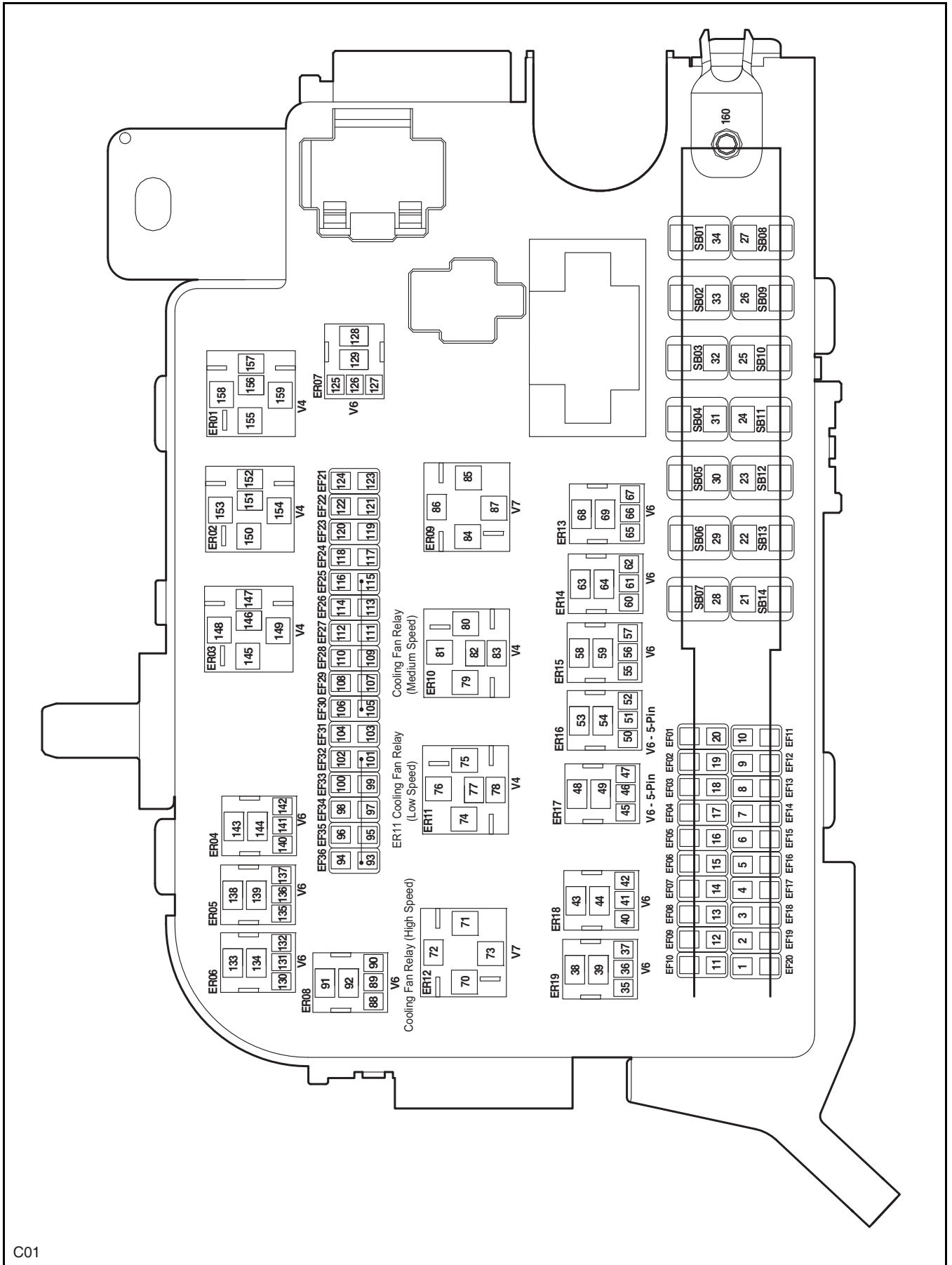


Battery Fuse Box



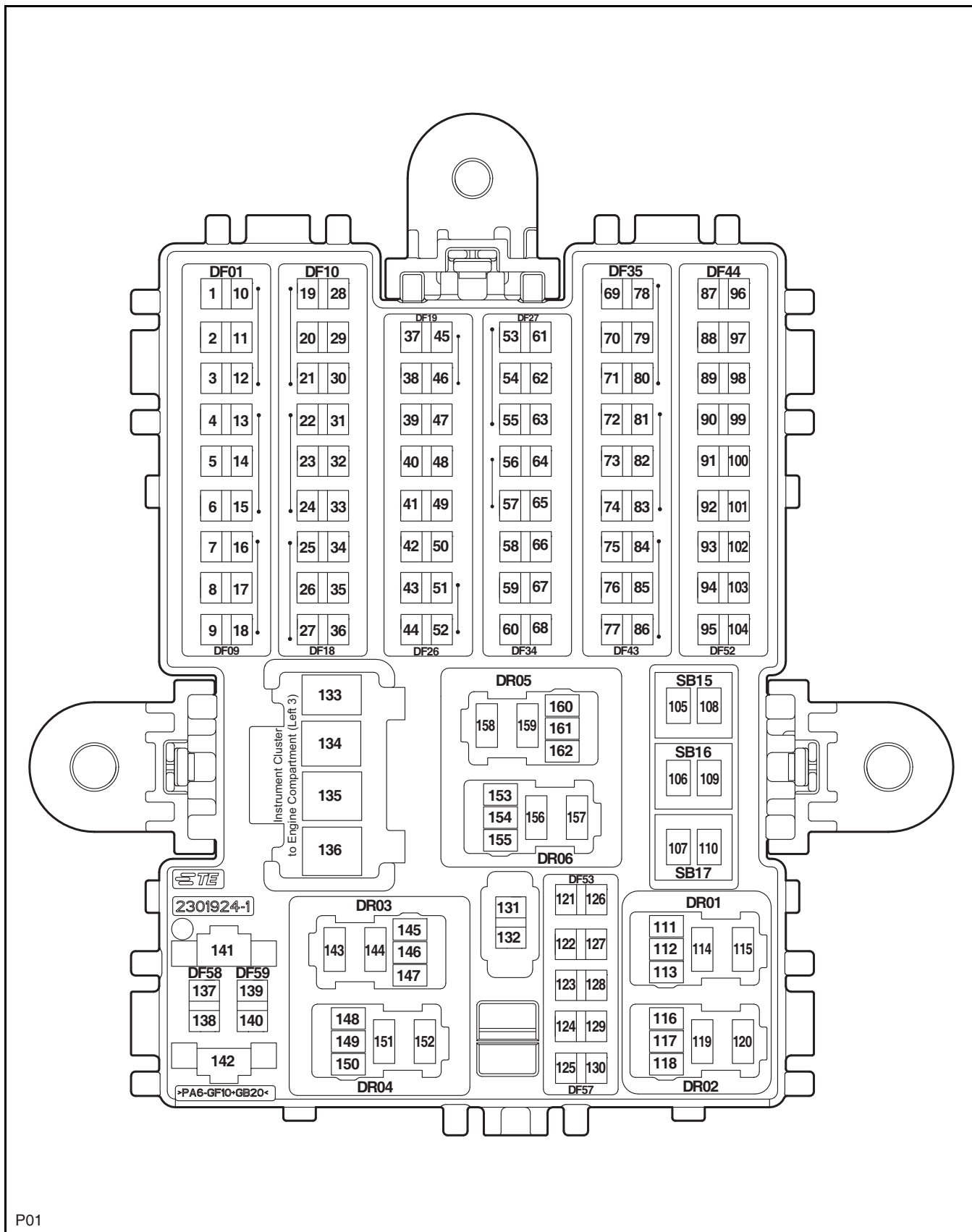
C18

Engine Compartment Fuse Box



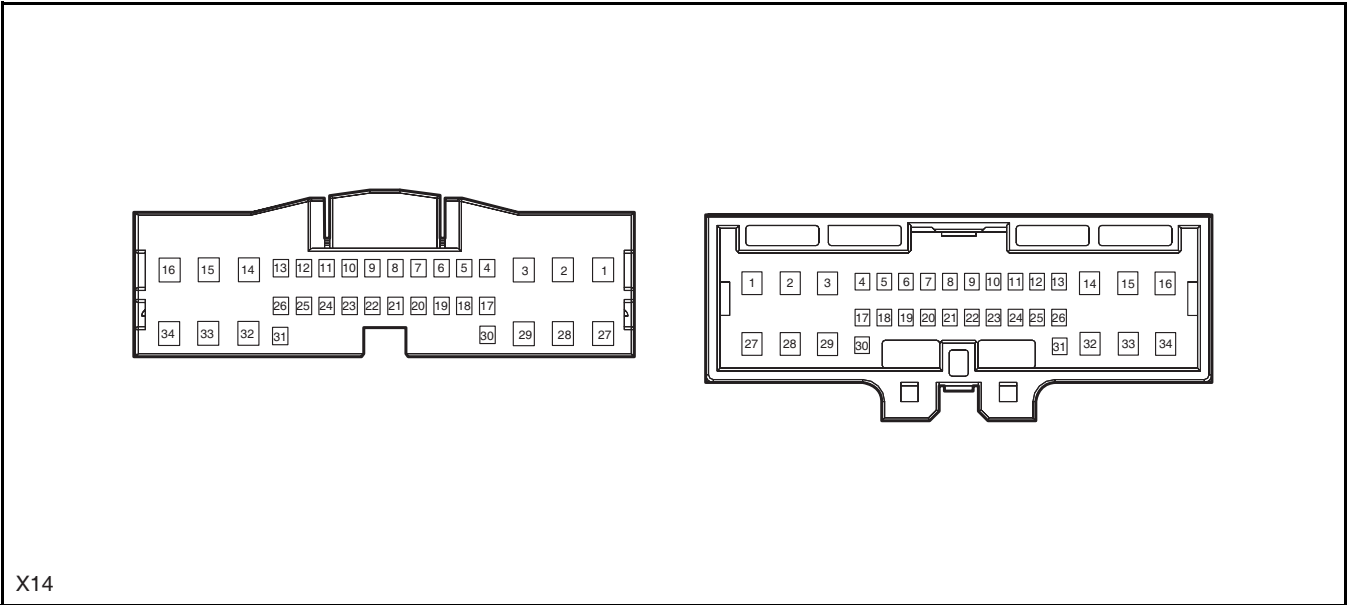
C01

Instrument Panel Fuse Box



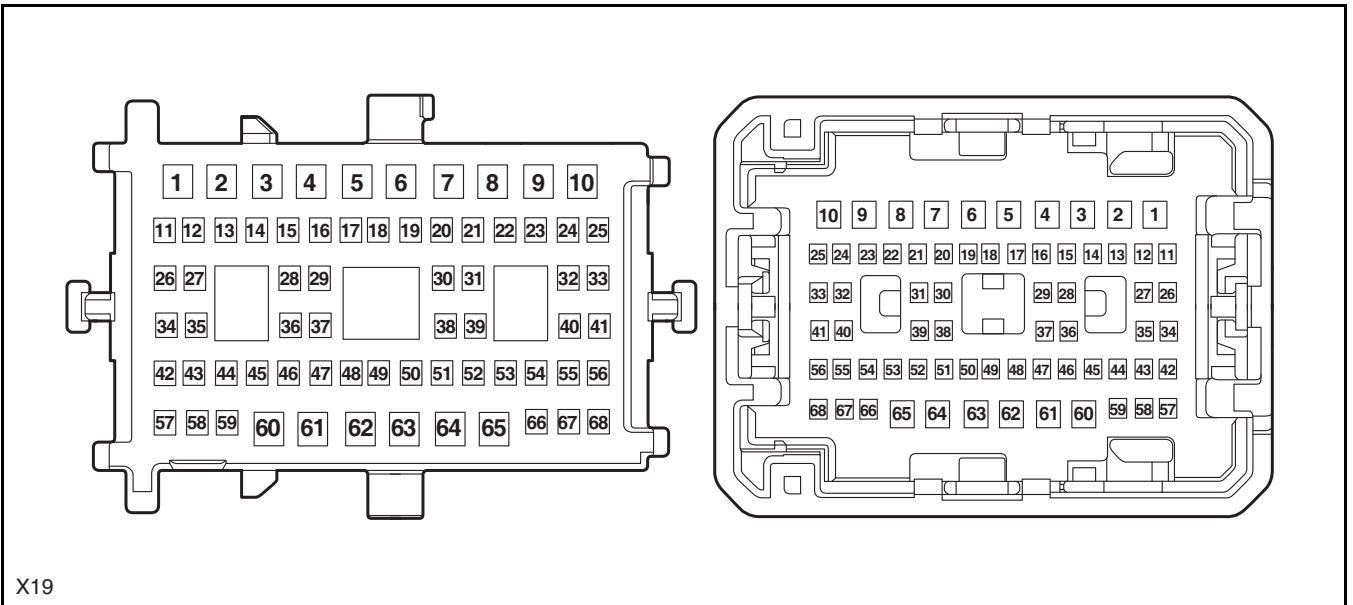
Instrument Panel Wiring Harness to Chassis Wiring Harness (Center)

Chassis Wiring Harness to Instrument Panel Wiring Harness (Center)



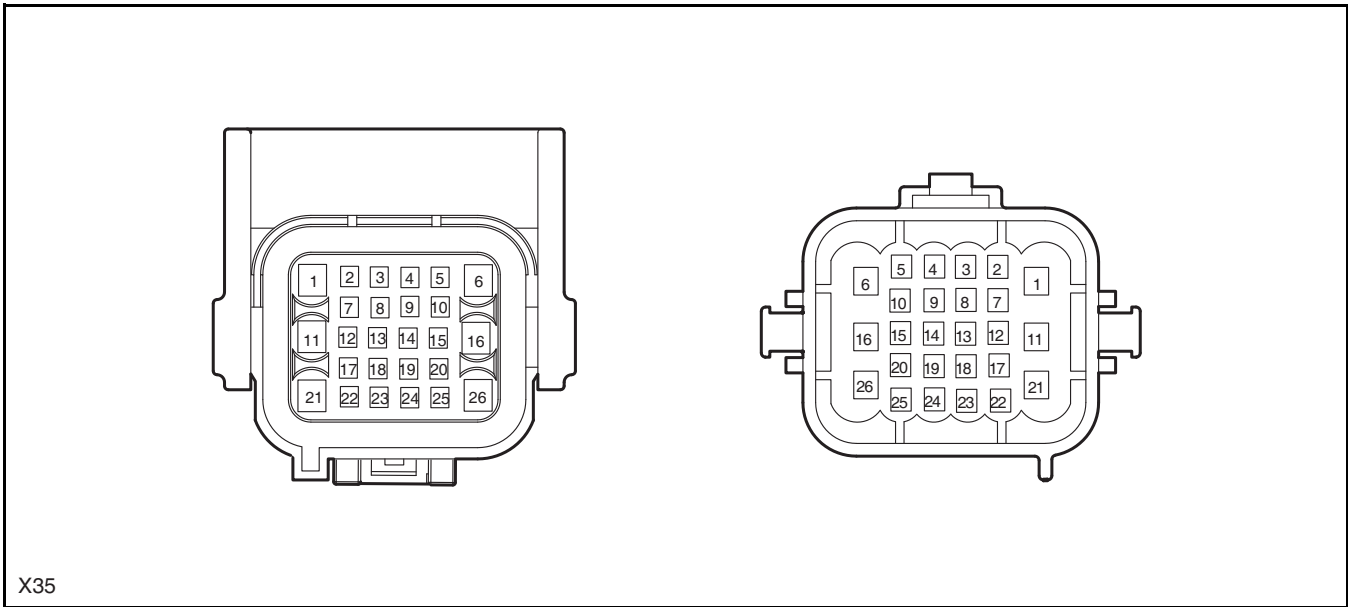
Instrument Panel Wiring Harness to Chassis Wiring Harness (Right 1)

Chassis Wiring Harness to Instrument Panel Wiring Harness (Right 1)



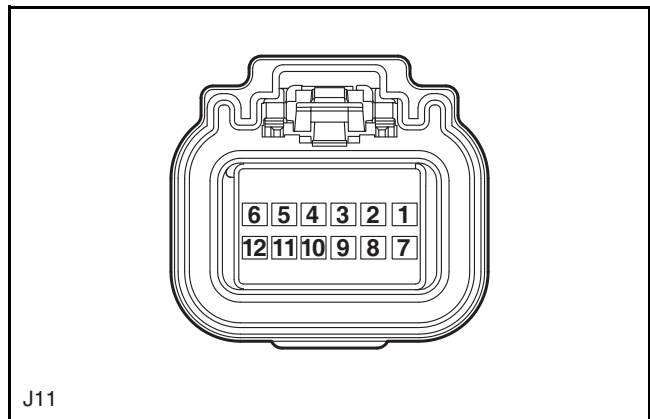
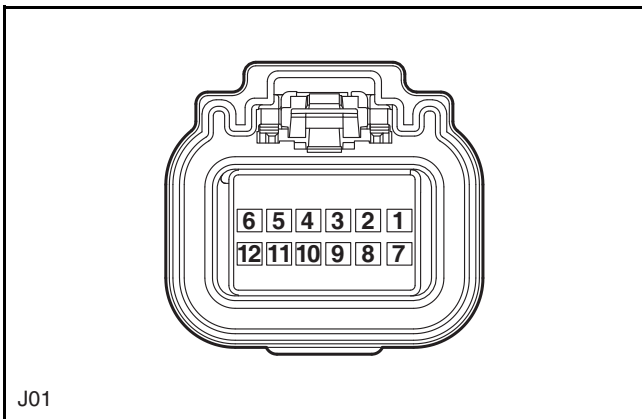
Chassis Wiring Harness to Rear Bumper Wiring Harness

Rear Bumper Wiring Harness to Chassis Wiring Harness

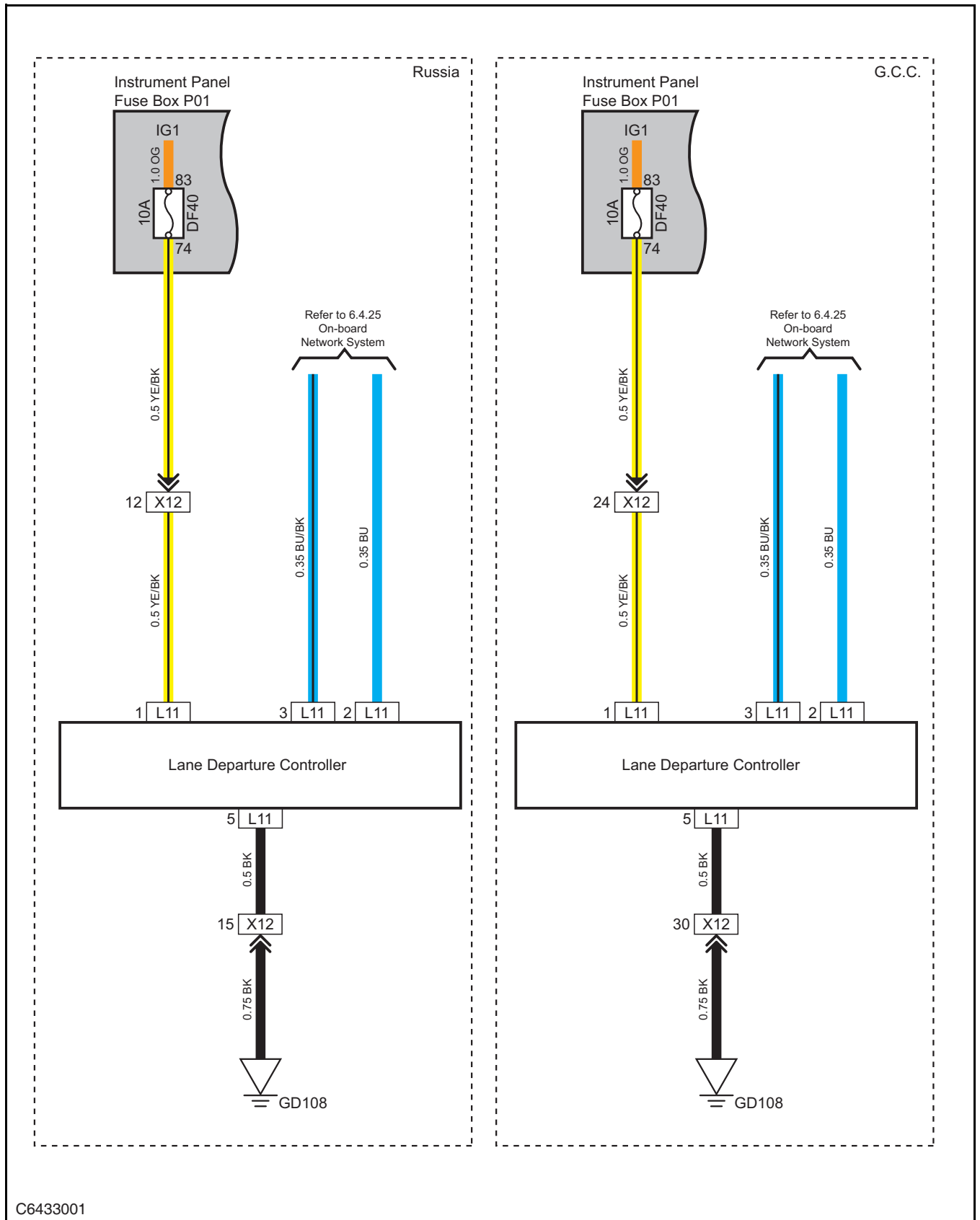


Left Blind Spot Monitoring Controller

Right Blind Spot Monitoring Controller

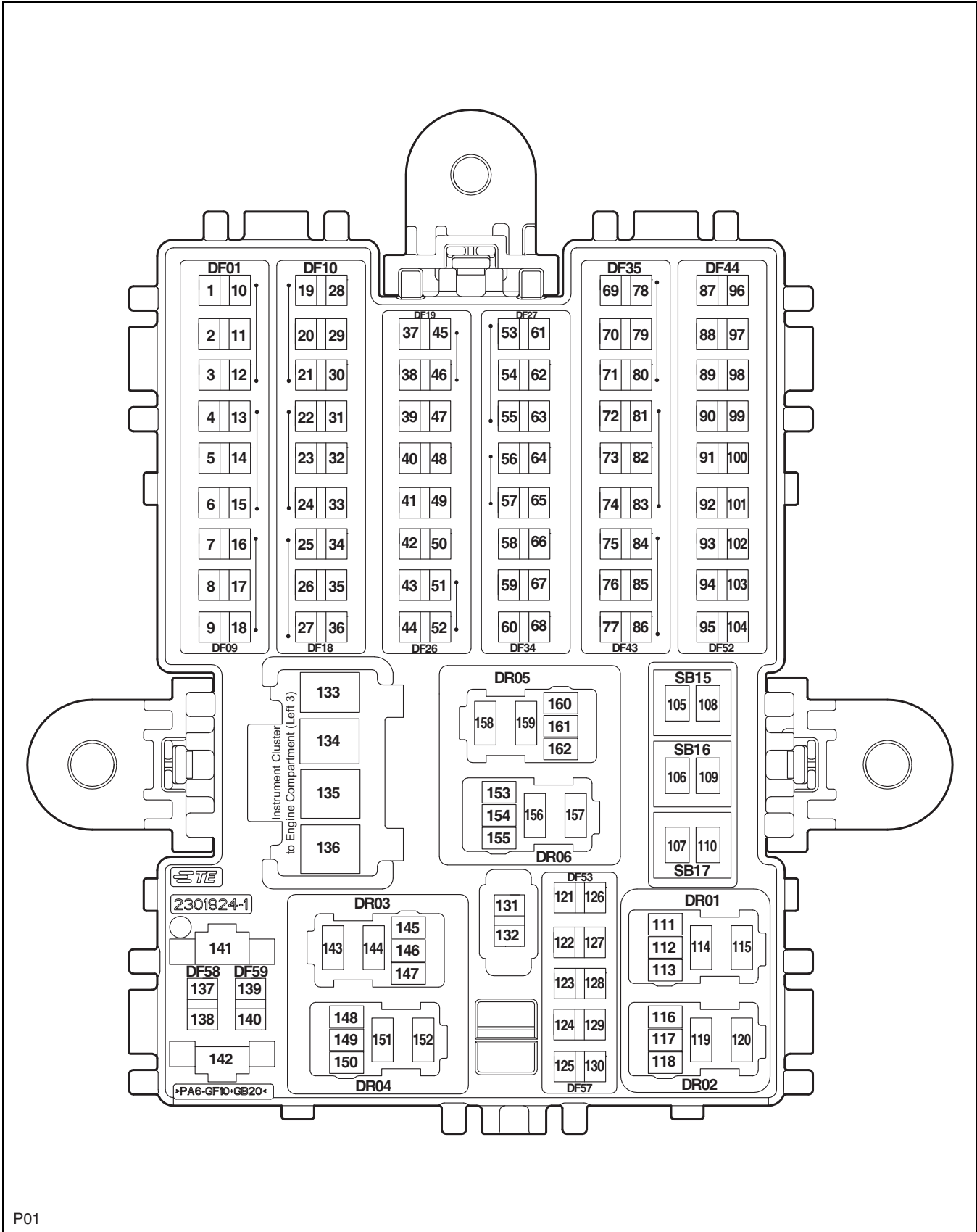


Lane Departure System



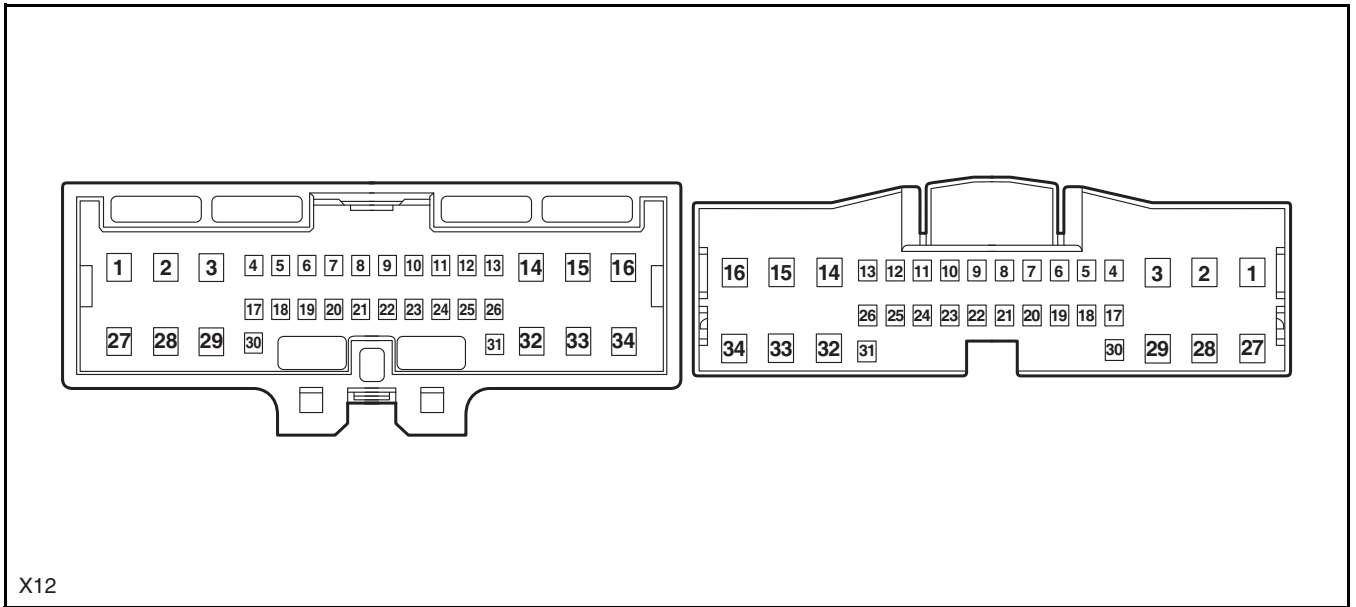
C6433001

Instrument Panel Fuse Box

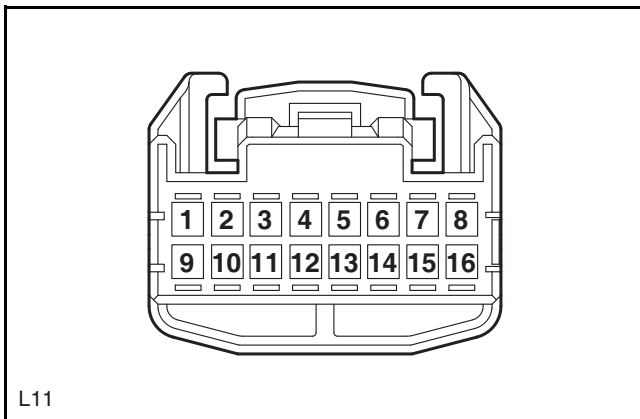


Instrument Panel Wiring Harness to Roof Wiring Harness (Left 1)

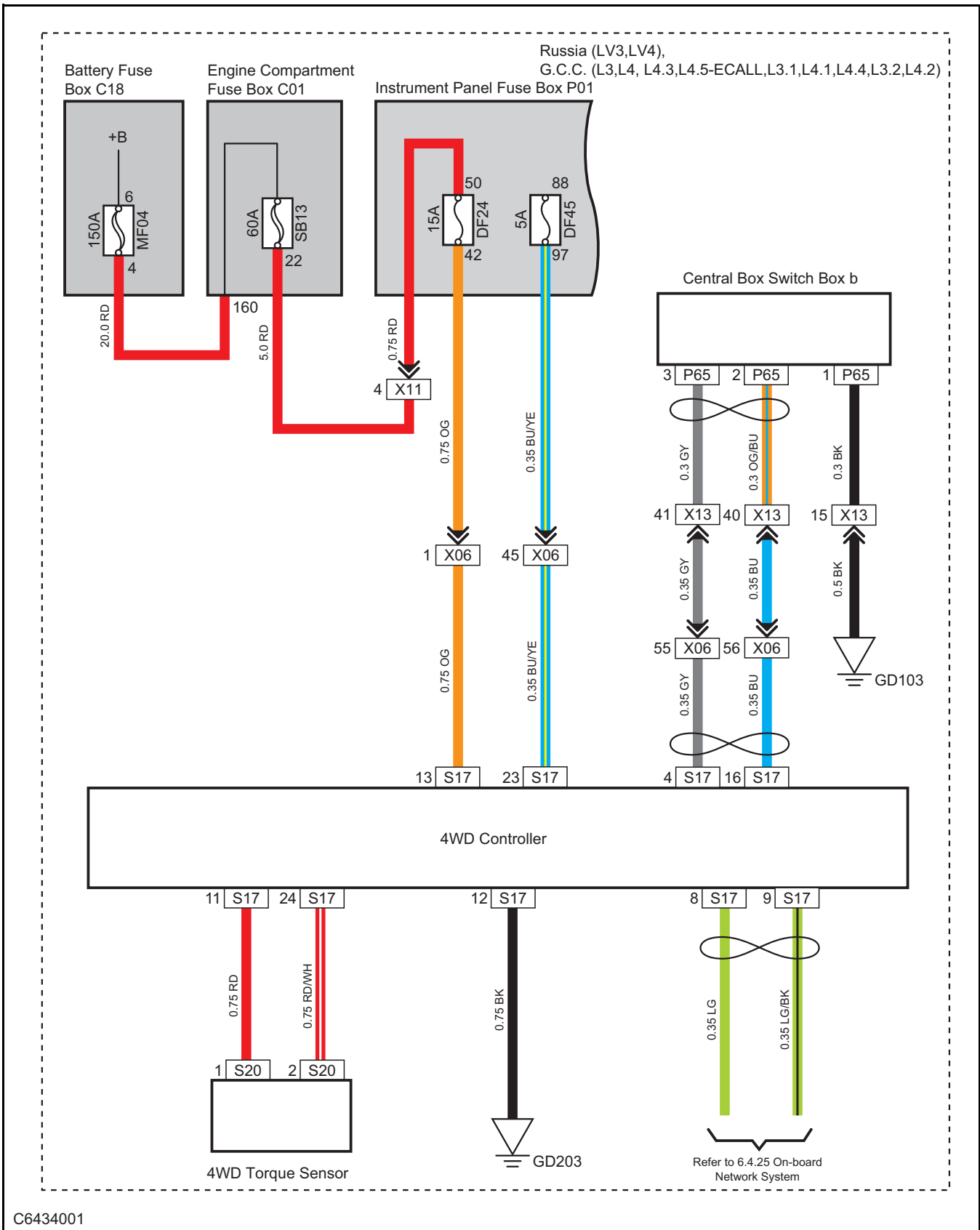
Roof Wiring Harness to Instrument Panel Wiring Harness (Left 1)



Lane Departure Controller

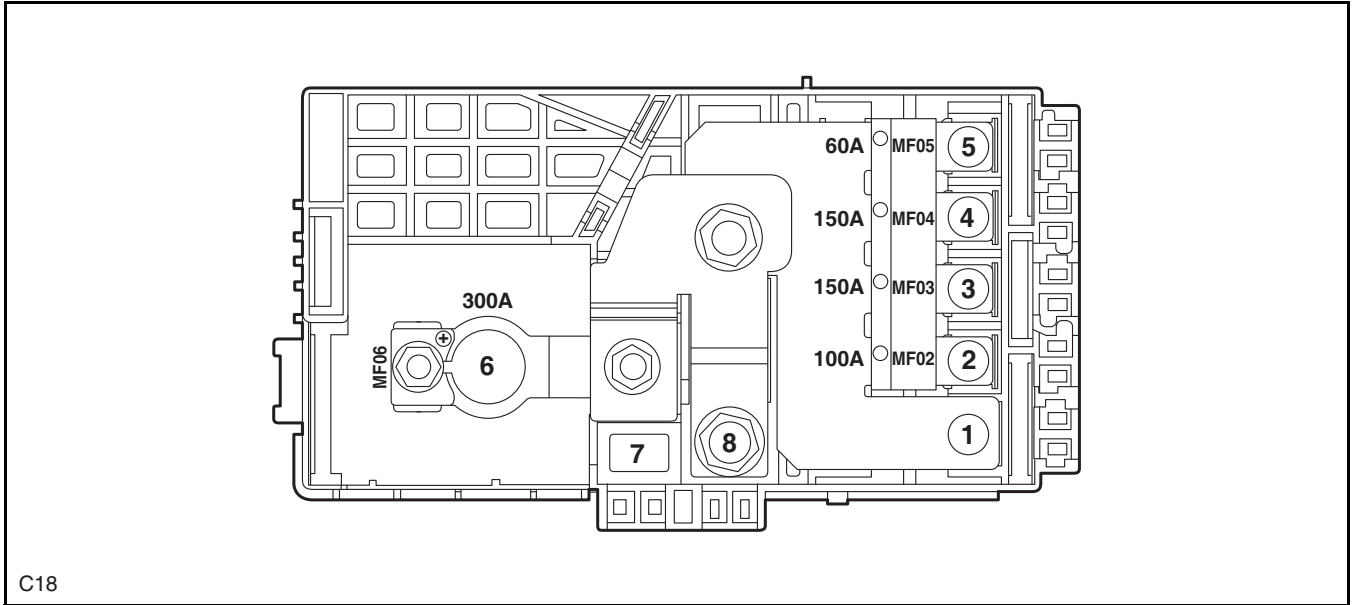


4WD System



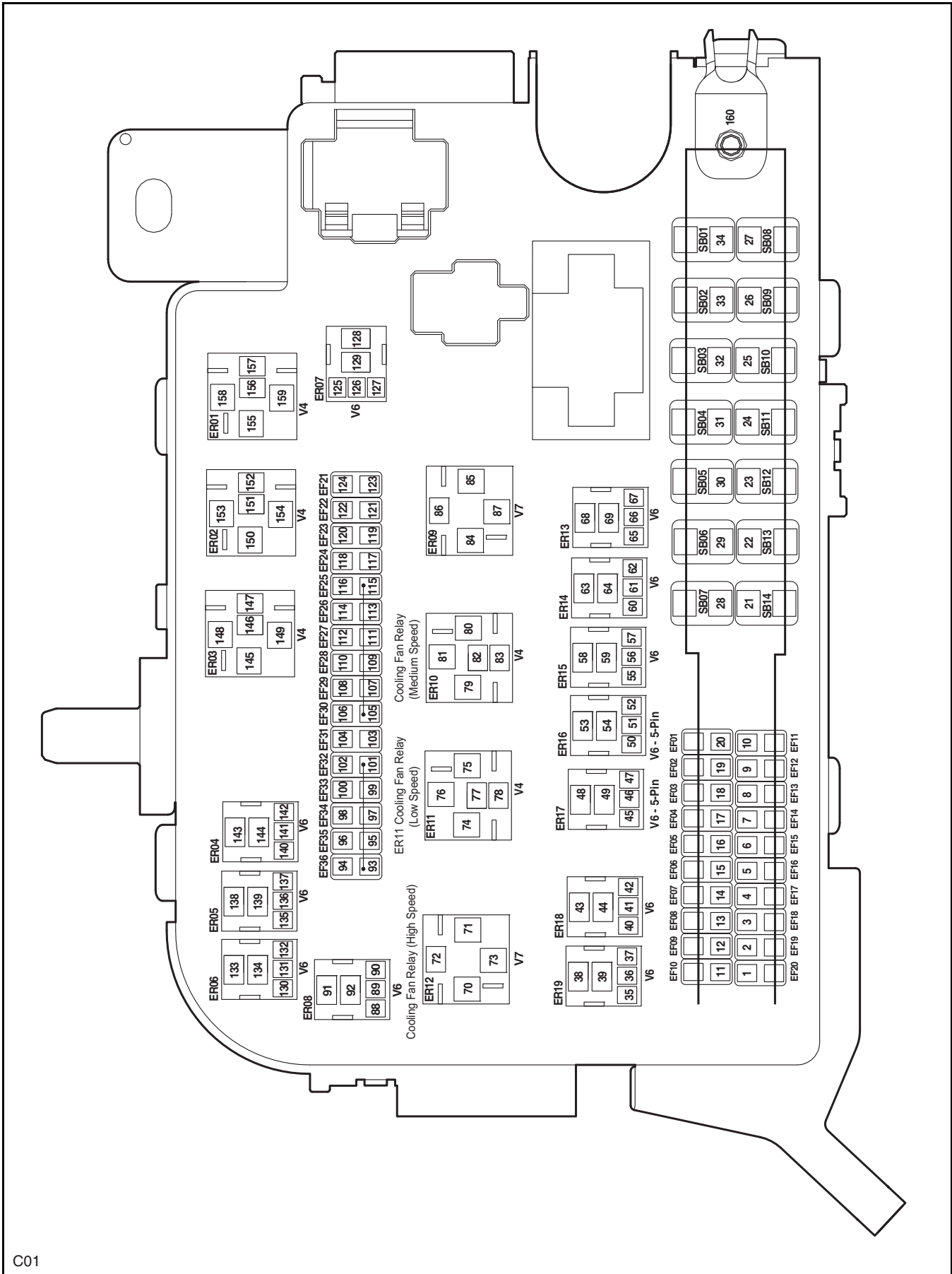
C6434001

Battery Fuse Box



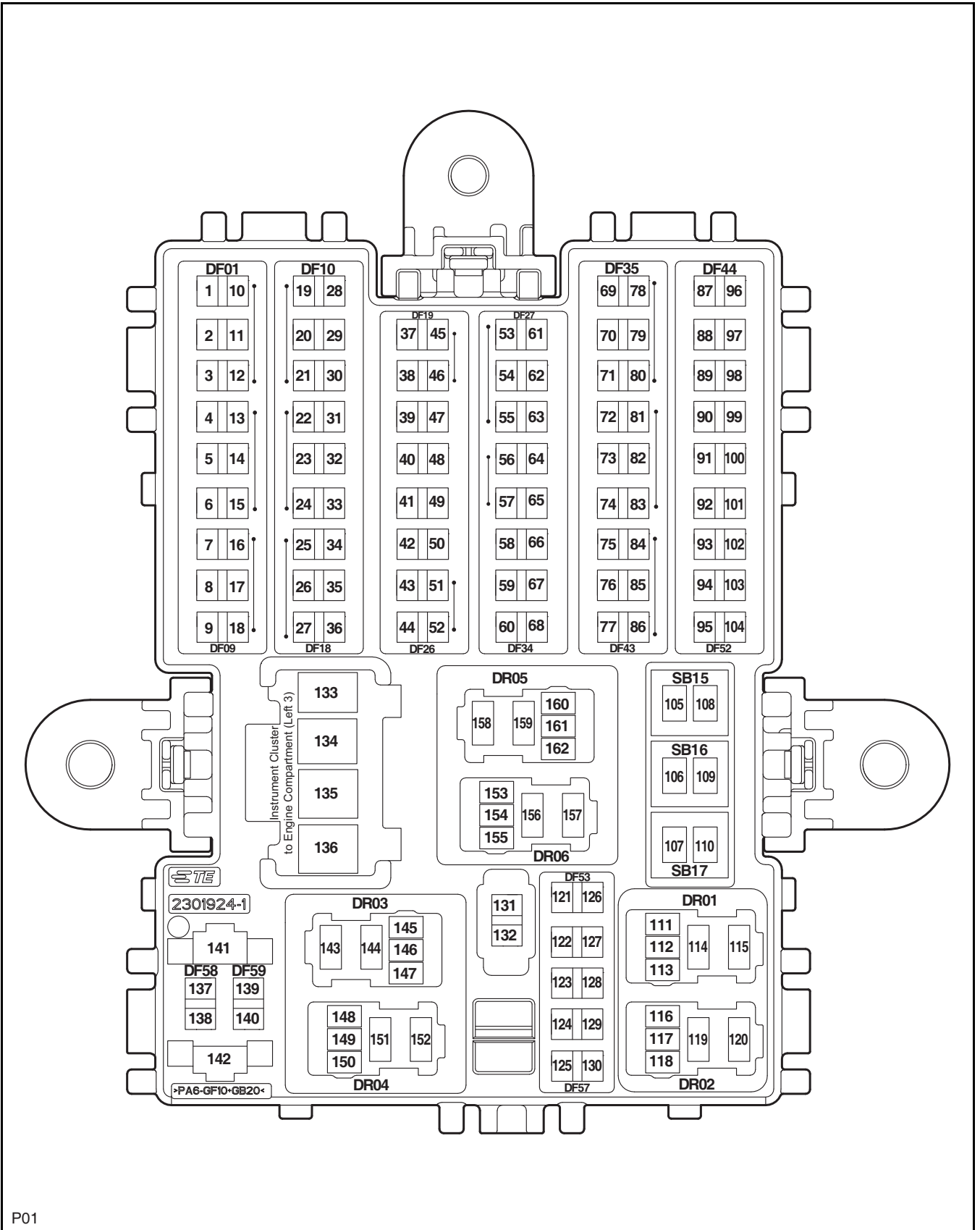
C18

Engine Compartment Fuse Box



C01

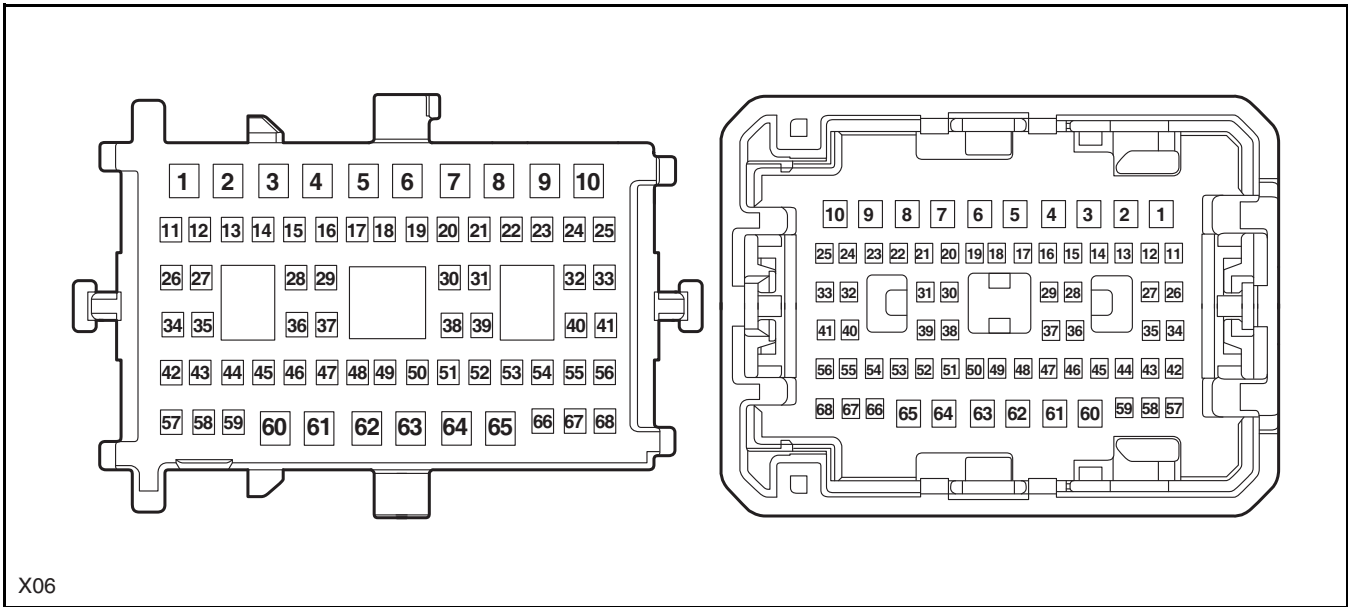
Instrument Panel Fuse Box



P01

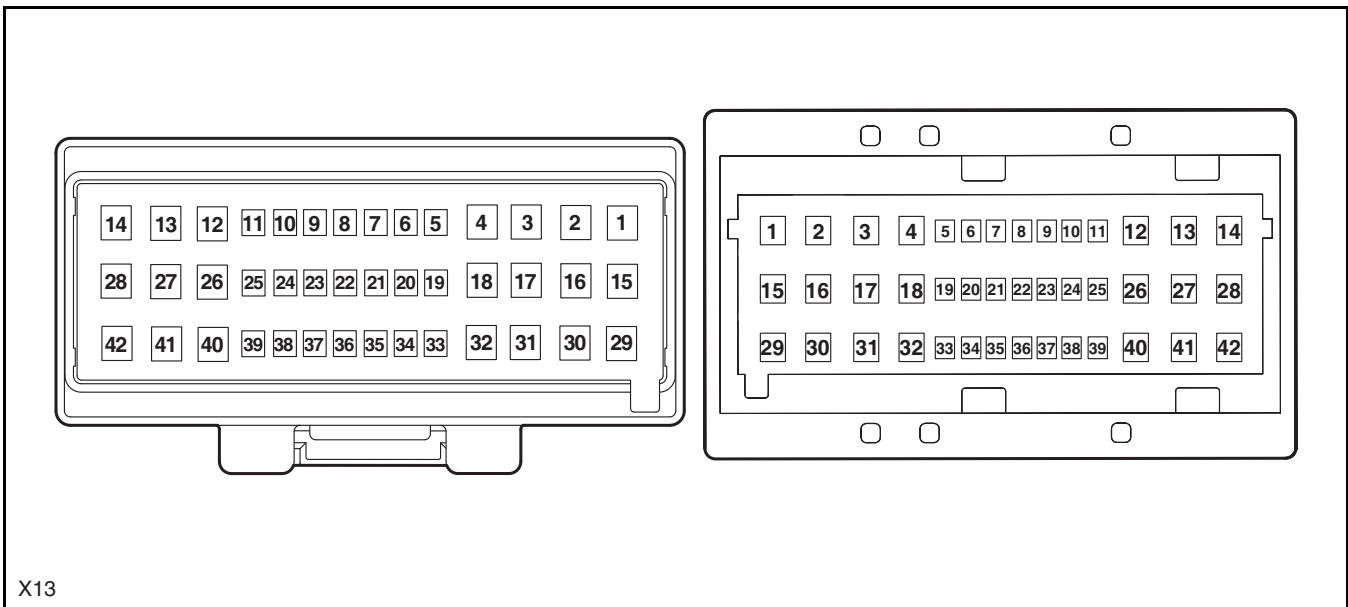
Instrument Panel Wiring Harness to Chassis Wiring Harness (Left 1)

Chassis Wiring Harness to Instrument Panel Wiring Harness (Left 1)

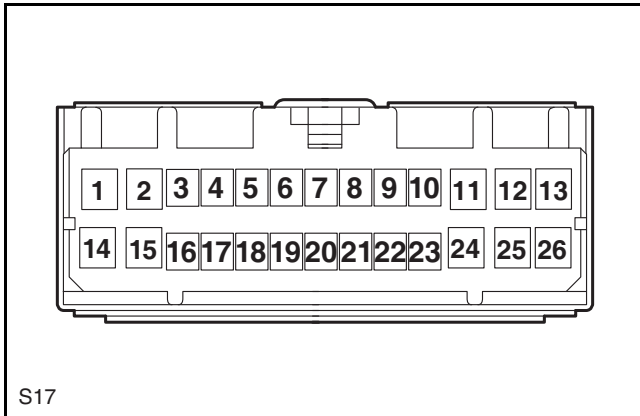


Instrument Panel Wiring Harness to Auxiliary Fascia Console Wiring Harness Panel

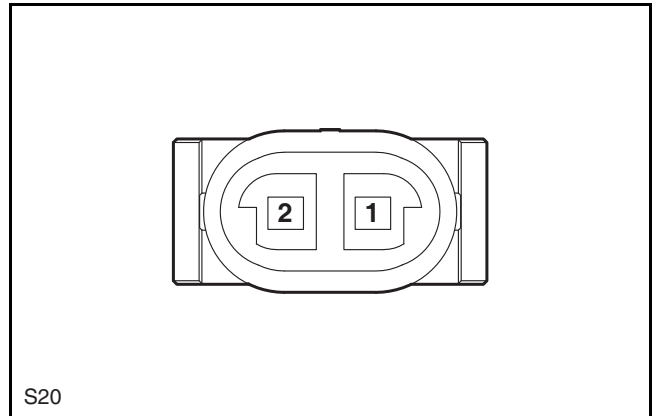
Auxiliary Fascia Console Wiring Harness Panel to Instrument Panel Wiring Harness



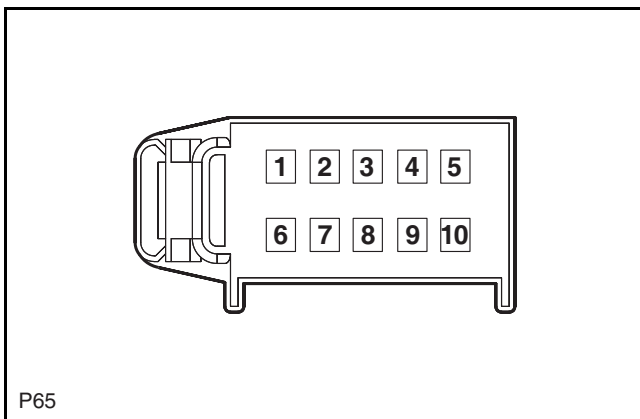
4WD Controller



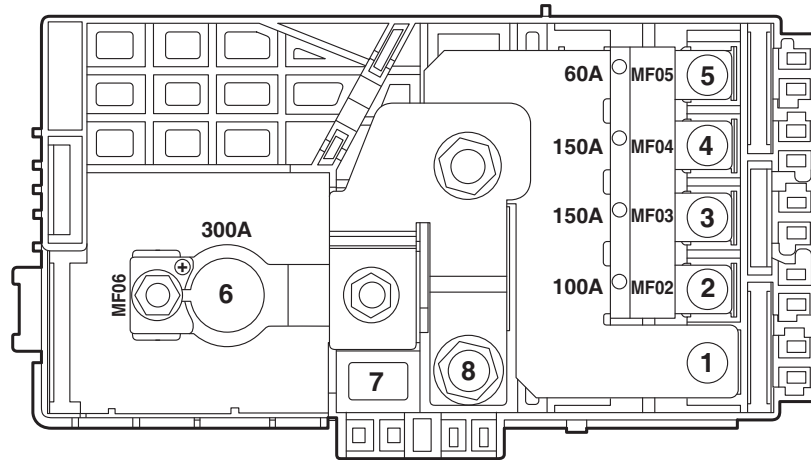
4WD Torque Sensor



Central Box Switch Box b



Fuse and Relay Information

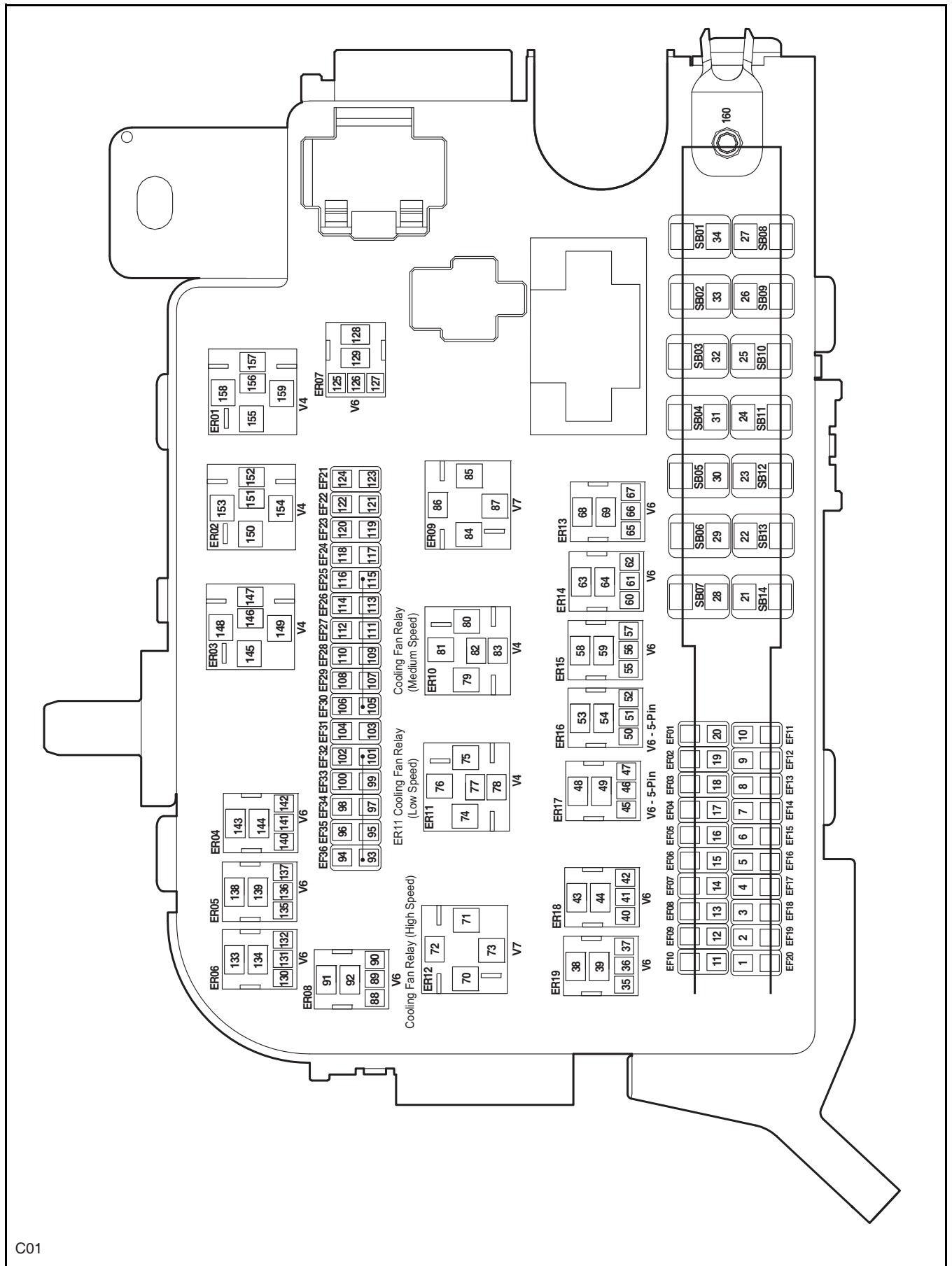


C18

Battery Fuse Box Fuse Definition

Code	Application	Rated Current (A)
MF02	EPS	100A
MF03	-	150
MF04	Engine Compartment Fuse Box	150
MF05	Cooling Fan	60
MF06	-	300
MF07	Engine/Starting Motor	300

Engine Compartment Fuse Box



C01

Engine Compartment Fuse Box Relay Definition

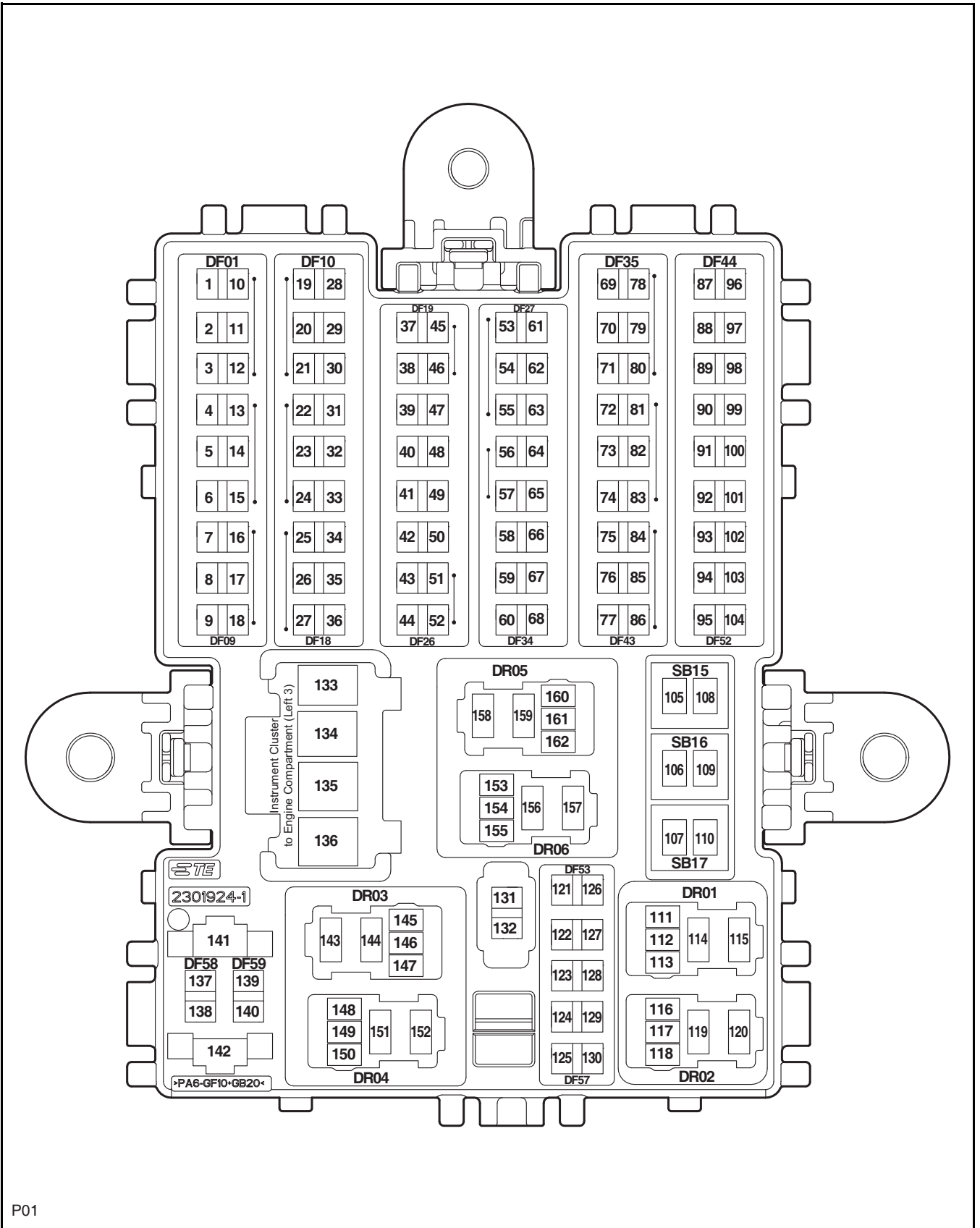
Code	Application	Description
ER01	IG1 Relay	-
ER02	Main Relay	-
ER03	Front Blower	-
ER04	Compressor	-
ER05	Low Beam Lamp Relay	-
ER06	Rear Defroster Relay	-
ER07	Starting Motor Relay 1	-
ER08	ACC Relay	-
ER09	-	-
ER10	Radiator Fan Relay (Medium Speed)	-
ER11	Radiator Fan Relay (Low Speed)	-
ER12	Radiator Fan Relay (High Speed)	-
ER13	Rear Wiper	-
ER14	Start Relay 2	-
ER15	Horn	-
ER16	Front Wiper Low Speed	-
ER17	Front Wiper High Speed	-
ER18	Oil Pump	-
ER19	-	-

Engine Compartment Fuse Box Fuse Definition

Code	Application	Rated Current (A)	Description
EF01	Low Beam Lamp	20A	-
EF02	Front Wiper Motor	25A	-
EF03	-	-	-
EF04	TCU Constant Power Supply	15A	-
EF05	-	-	-
EF06	Main Relay	30A	-
EF07	Oil Pump Relay	20A	-
EF08	Horn Relay	20A	-
EF09	Compressor	10A	-
EF10	Rear Wiper Motor	20A	-
EF11	-	-	-
EF12	ECU	10A	-
EF13	Battery Sensor	5A	-
EF14	Brake Switch	10A	-
EF15	Shift Controller	25A	-
EF16	-	-	-
EF17	-	-	-
EF18	-	-	-
EF19	-	-	-
EF20	-	-	-
EF21	Rearview Mirror Heater	10A	-
EF22	-	-	-
EF23	-	-	-
EF24	-	-	-
EF25	-	-	-
EF26	Brake Switch	10A	-
EF27	ECU	20A	-
EF28	Ignition Coil	15A	-
EF29	Oxygen Sensor and Carbon Canister	15A	-
EF30	Relay Control Power Supply	10A	-
EF31	-	-	-
EF32	Seat Heater	10A	-
EF33	-	-	-
EF34	Electric Parking	5A	-
EF35	ECU	10A	-
EF36	Automatic Transmission	10A	-

Code	Application	Rated Current (A)	Description
SB01	Electric Parking EPBI	40A	-
SB02	IGN2, Start	30A	-
SB03	Middle Speed Fan	50A	-
SB04	Blower Relay	40A	-
SB05	IGN1, ACC	30A	-
SB06	Instrument Cluster Constant Power Supply 1 IPB1	60A	-
SB07	Power Back Door	30A	-
SB08	Electric Parking EPBI	60A	-
SB09	-	-	-
SB10	Low Speed Fan	40A	-
SB11	Window Motor (Right)	30A	-
SB12	Window Motor (Left)	30A	-
SB13	Instrument Cluster Constant Power Supply 2 IPB1	60A	-
SB14	Rear Defroster Relay	30A	-

Instrument Panel Fuse Box



P01

Instrument Panel Fuse Box Relay Definition

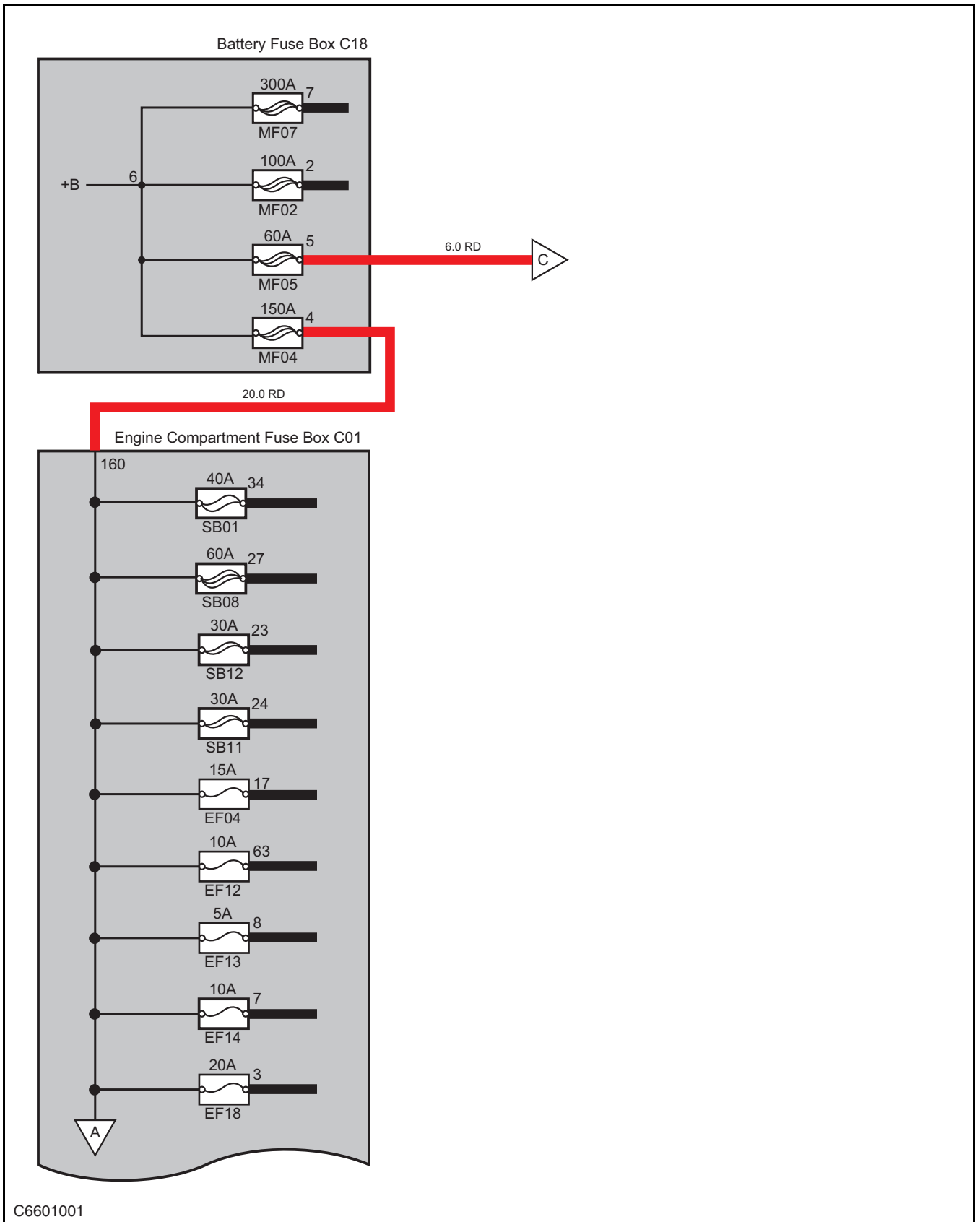
Code	Application	Description
DR01	Front Windshield Heater (Left)	-
DR02	Front Windshield Heater (Right)	-
DR03	Other Three Door Handles Extending	-
DR04	Other Three Door Handles Retracting	-
DR05	Left Front Door Handle Retracting	-
DR06	Left Front Door Handle Extending	-

Instrument Panel Fuse Box Fuse Definition

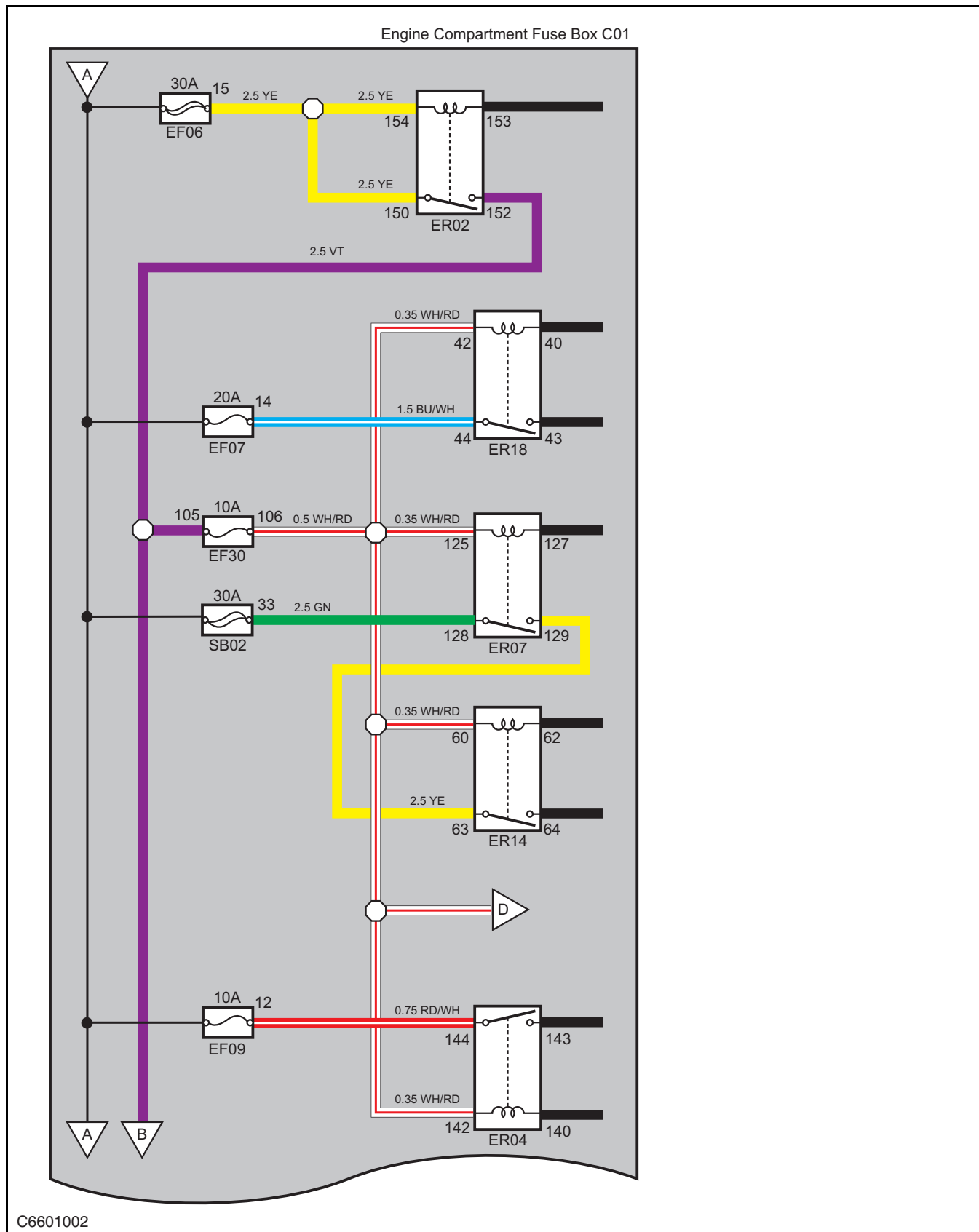
Code	Application	Rated Current (A)	Description
DF01	RKE, Kick Sensor, Gateway	10A	-
DF02	Data Link Connector	10A	-
DF03	BCM	20A	-
DF04	BCM	15A	-
DF05	BCM	15A	-
DF06	BCM	15A	-
DF07	BCM	15A	-
DF08	BCM	15A	-
DF09	BCM	15A	-
DF10	Sunroof Controller	20A	-
DF11	Window Delay Relay, Memory Switch	10A	-
DF12	A/C Controller, Instrument Panel Switch Box, Atmosphere Lamp, Front Display	10A	-
DF13	EPB Switch, Electronic Shift	10A	-
DF14	THU	20A	-
DF15	Rain Sensor, Steering Wheel, IP	10A	-
DF16	Power Back Door Controller	10A	-
DF17	Driver/Front Passenger Seat Heater	25A	-
DF18	Rear Blind Spot Monitoring	10A	-
DF19	TBOX	10A	-
DF20	Rear Seat Heater	20A	-
DF21	-	-	-
DF22	-	-	-
DF23	-	-	-
DF24	4WD Controller	15A	-
DF25	Left Front Door Concealed Handle	10A	-
DF26	Other Three Door Concealed Handles	15A	-
DF27	Front USB, Wireless Charging	10A	-
DF28	Front Power Outlet	15A	-
DF29	Second-row USB	10A	-
DF30	TBOX	10A	-

Code	Application	Rated Current (A)	Description
DF31	THU, Rearview Mirror Anti-glare	10A	-
DF32	-	-	-
DF33	-	-	-
DF34	-	-	-
DF35	GW, Rotation Angle Sensor	10A	-
DF36	Front Wiper Switch, Motor	15A	-
DF37	Airbag Control Unit	7.5A	-
DF38	Panoramic/APA, Power Amplifier	10A	-
DF39	Instrument Cluster, Ion Generator, A/C, Front Display	10A	-
DF40	LDW, Roof Dome Lamp	10A	-
DF41	Shift Control Mechanism, Central Box Switch, 4WD Switch	10A	-
DF42	LCDAL/LCDAR	10A	-
DF43	-	-	-
DF44	-	-	-
DF45	4WD Controller	5A	-
DF46	-	-	-
DF47	-	-	-
DF48	-	-	-
DF49	-	-	-
DF50	-	-	-
DF51	Front Windshield Heater (Left)	30A	-
DF52	Front Windshield Heater (Right)	30A	-
SB15	Power Seat Adjustment (Driver)	30A	
SB16	Seat Memory	30A	
SB17	Power Seat Adjustment (Front Passenger)	30A	

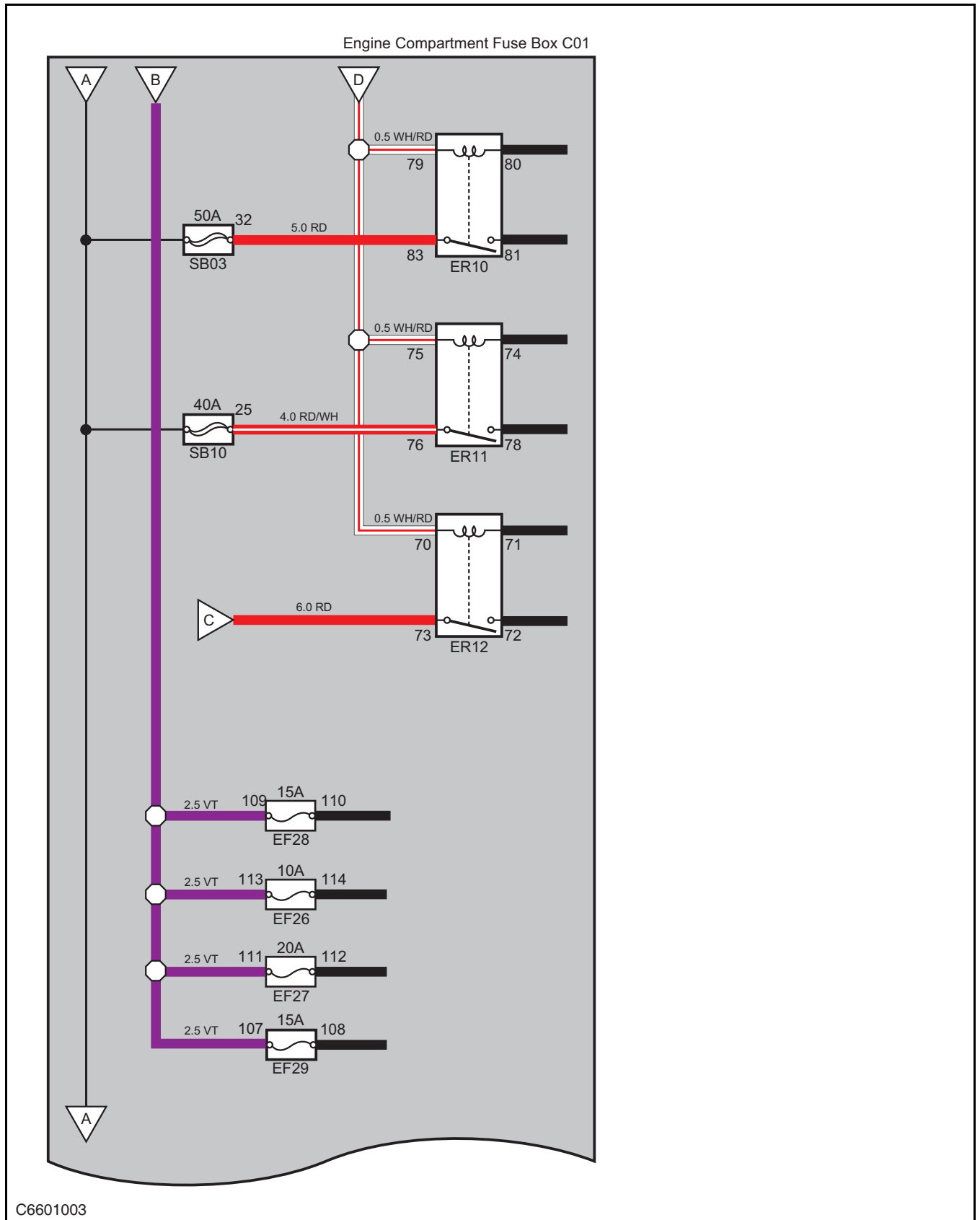
Power Supply Distribution - 1



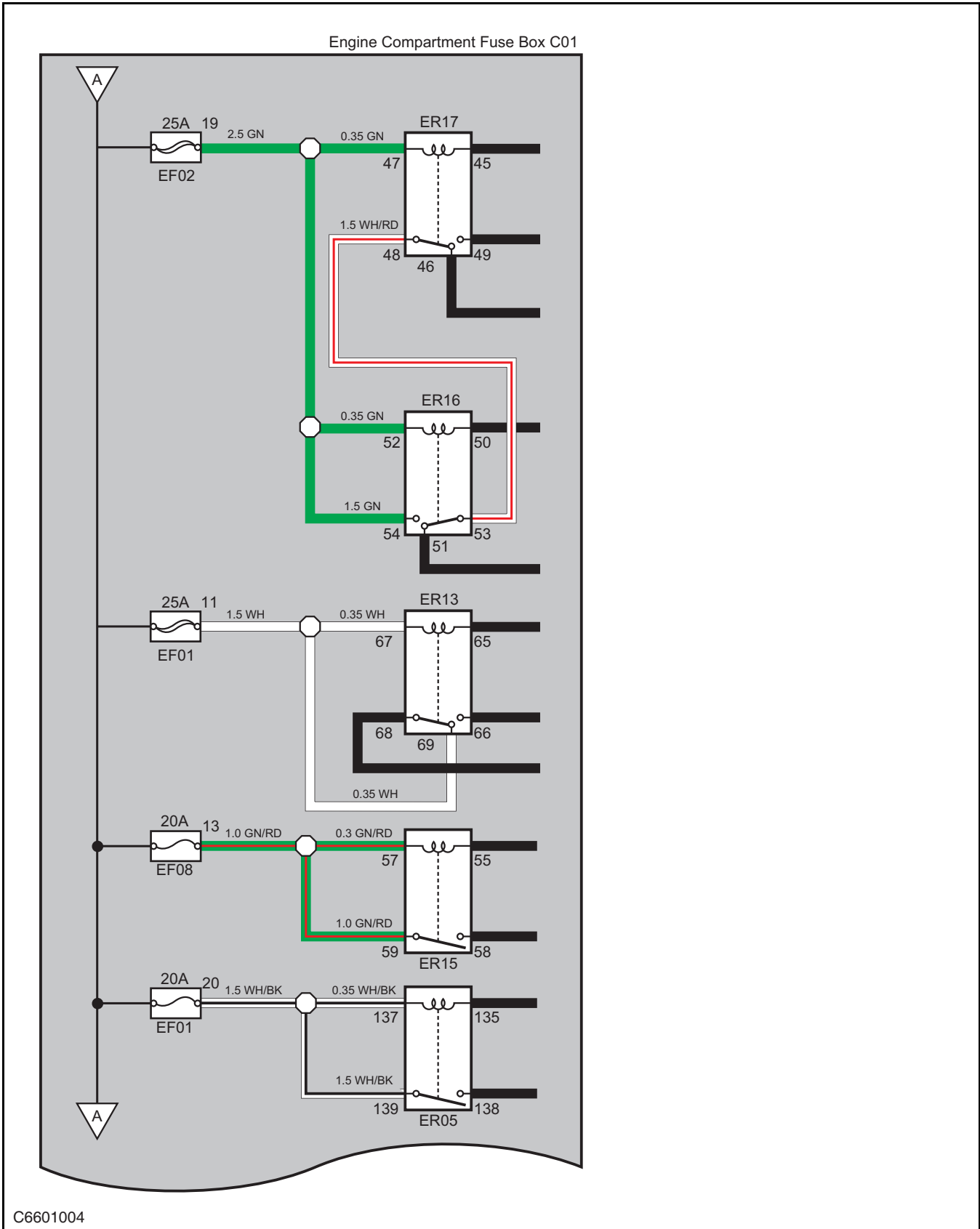
Power Supply Distribution - 2



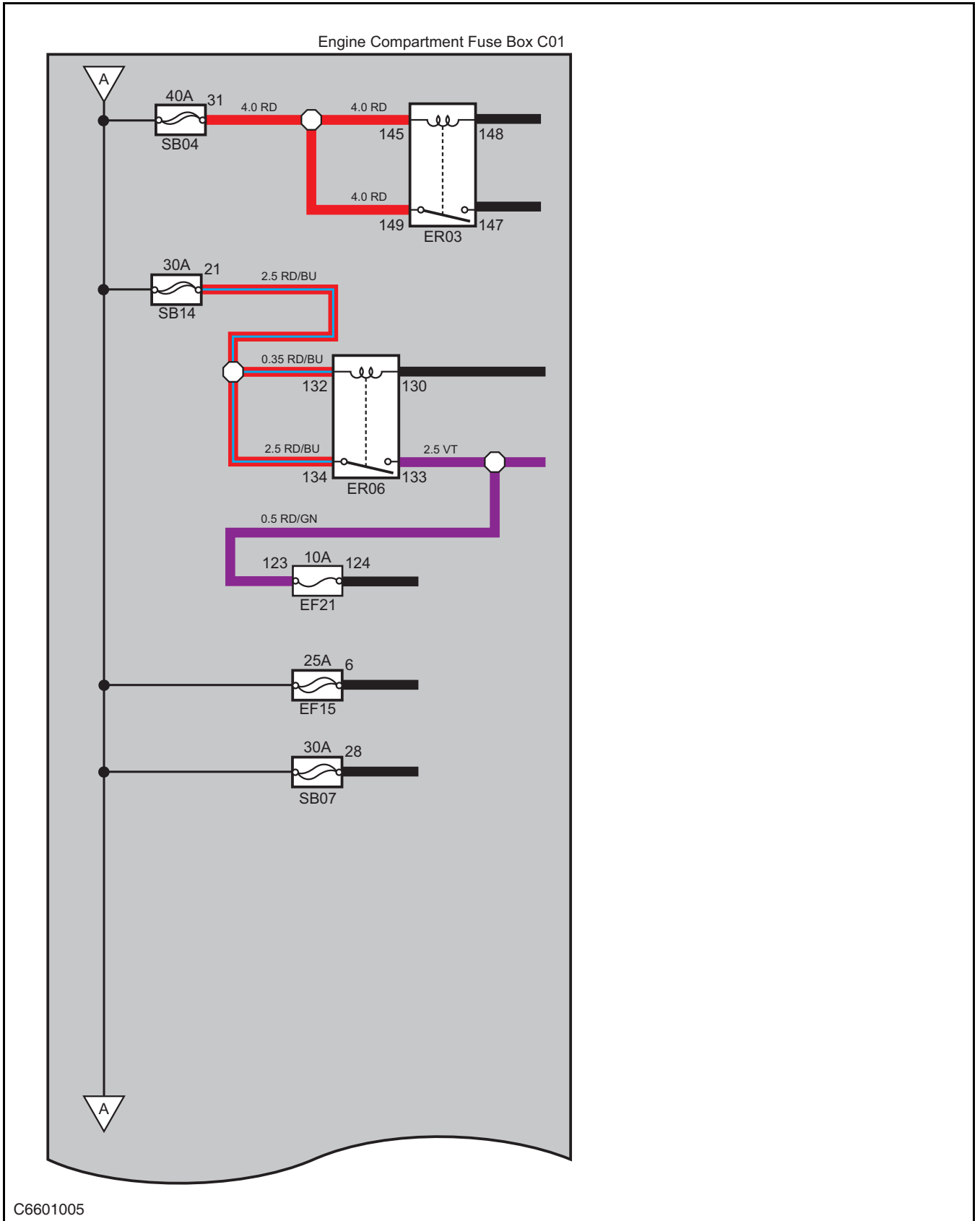
Power Supply Distribution - 3



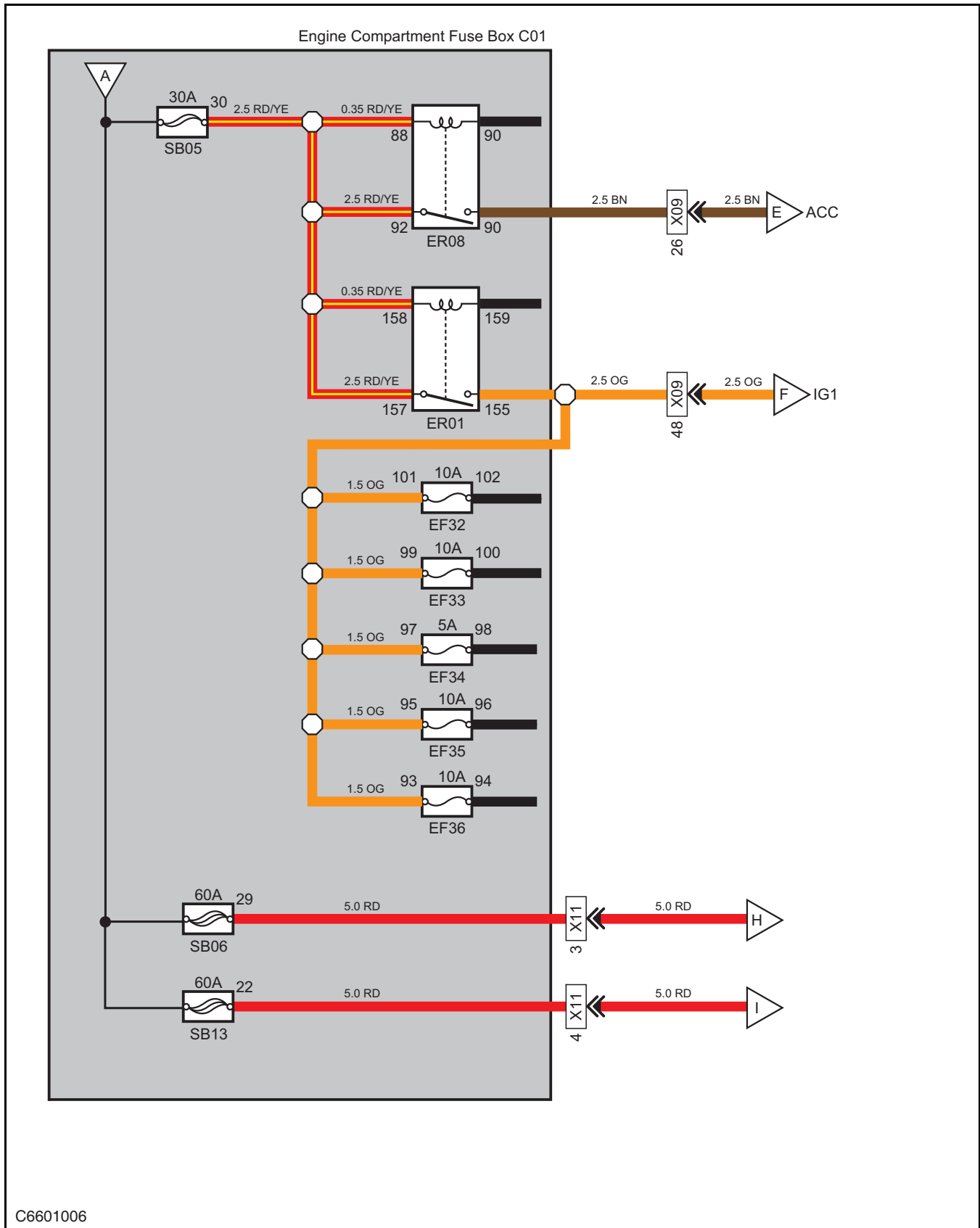
Power Supply Distribution - 4



Power Supply Distribution - 5

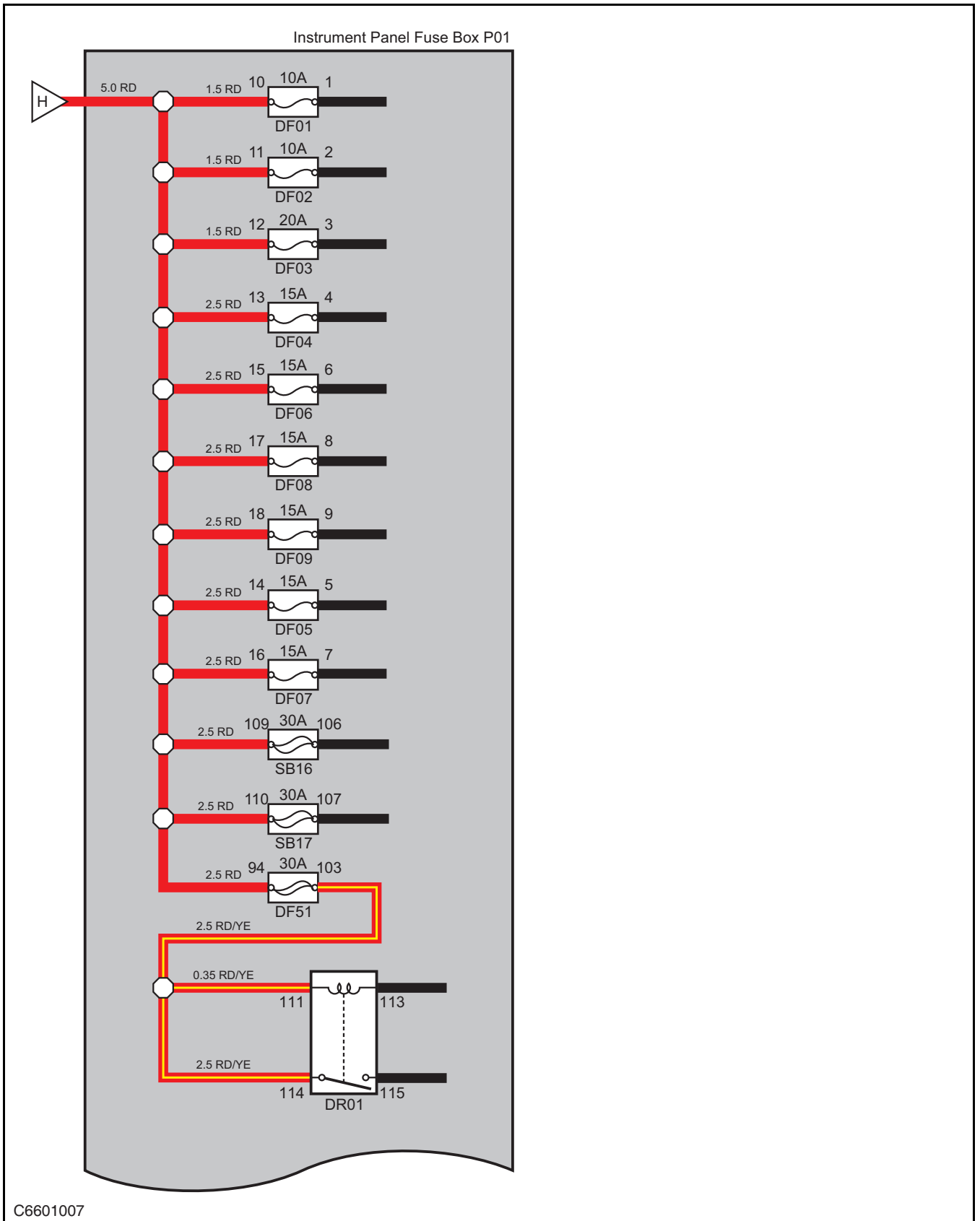


Power Supply Distribution - 6

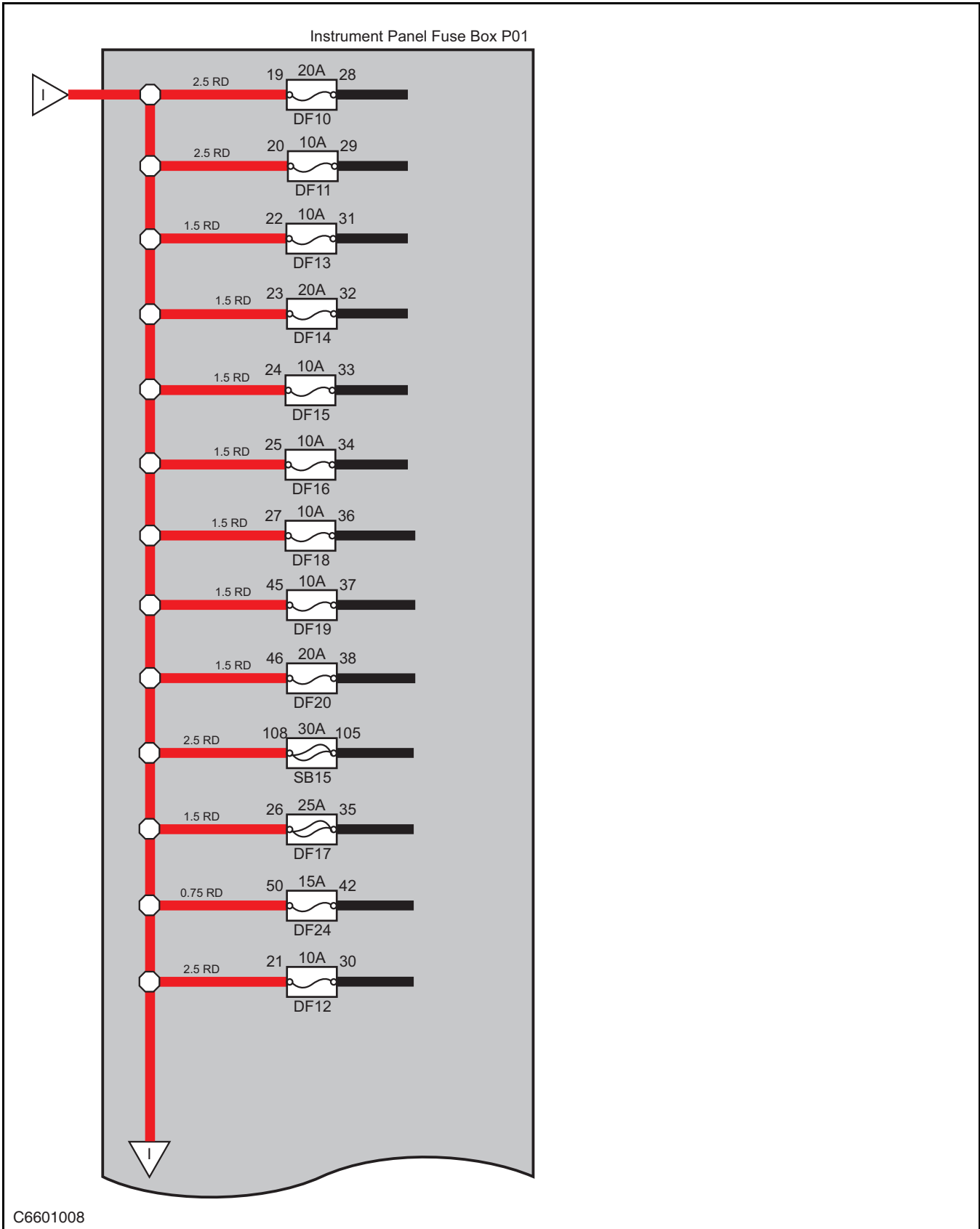


C6601006

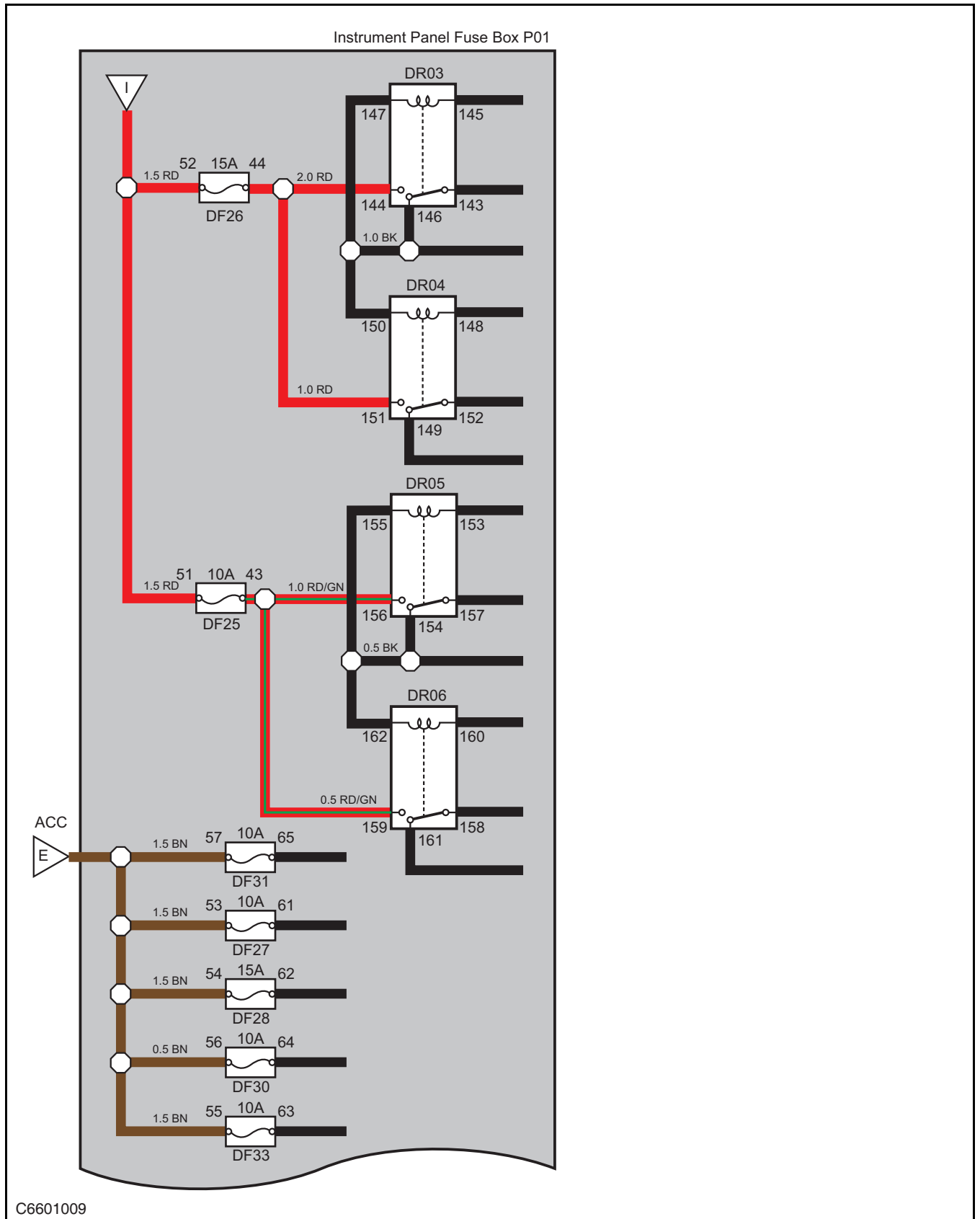
Power Supply Distribution - 7



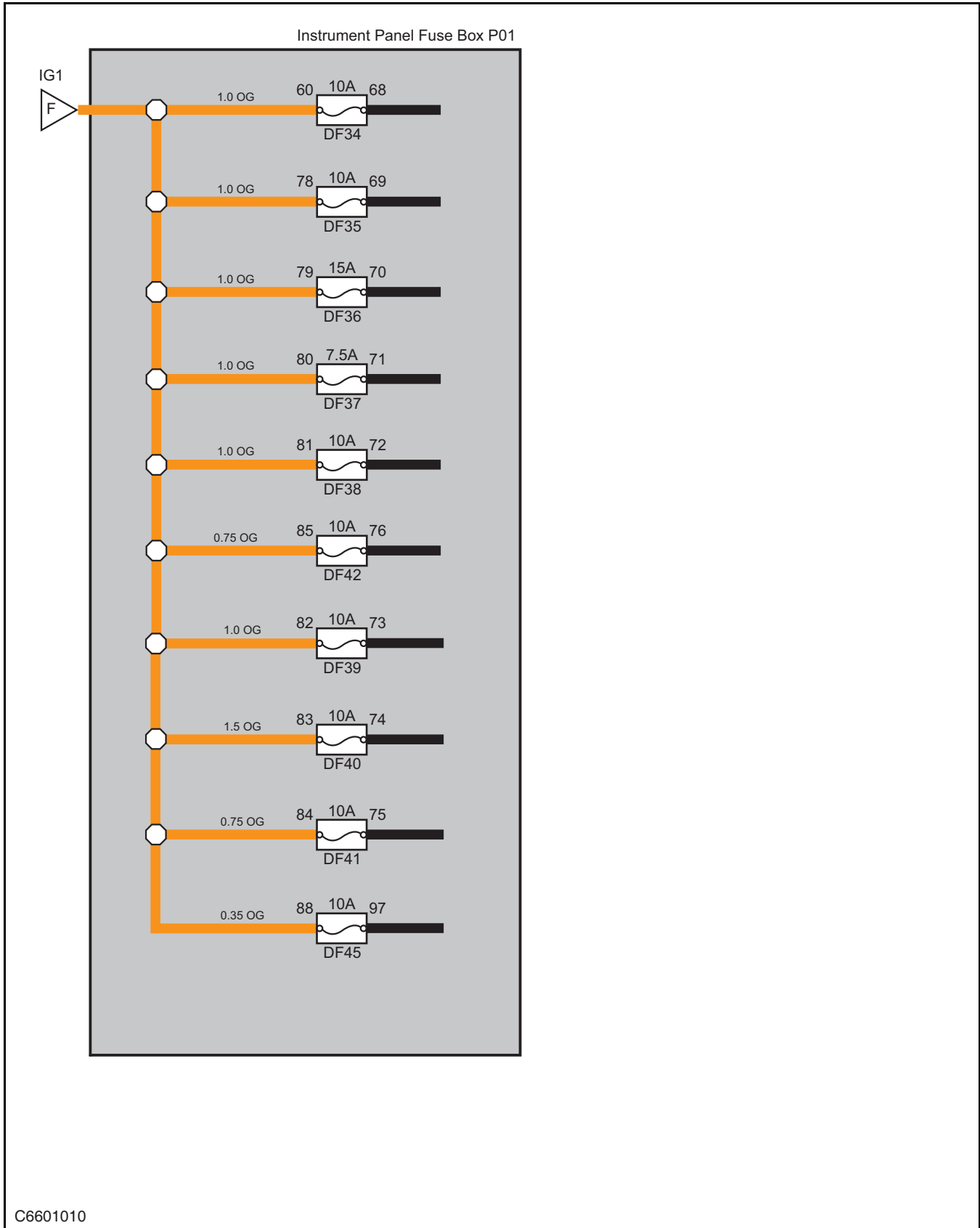
Power Supply Distribution - 8



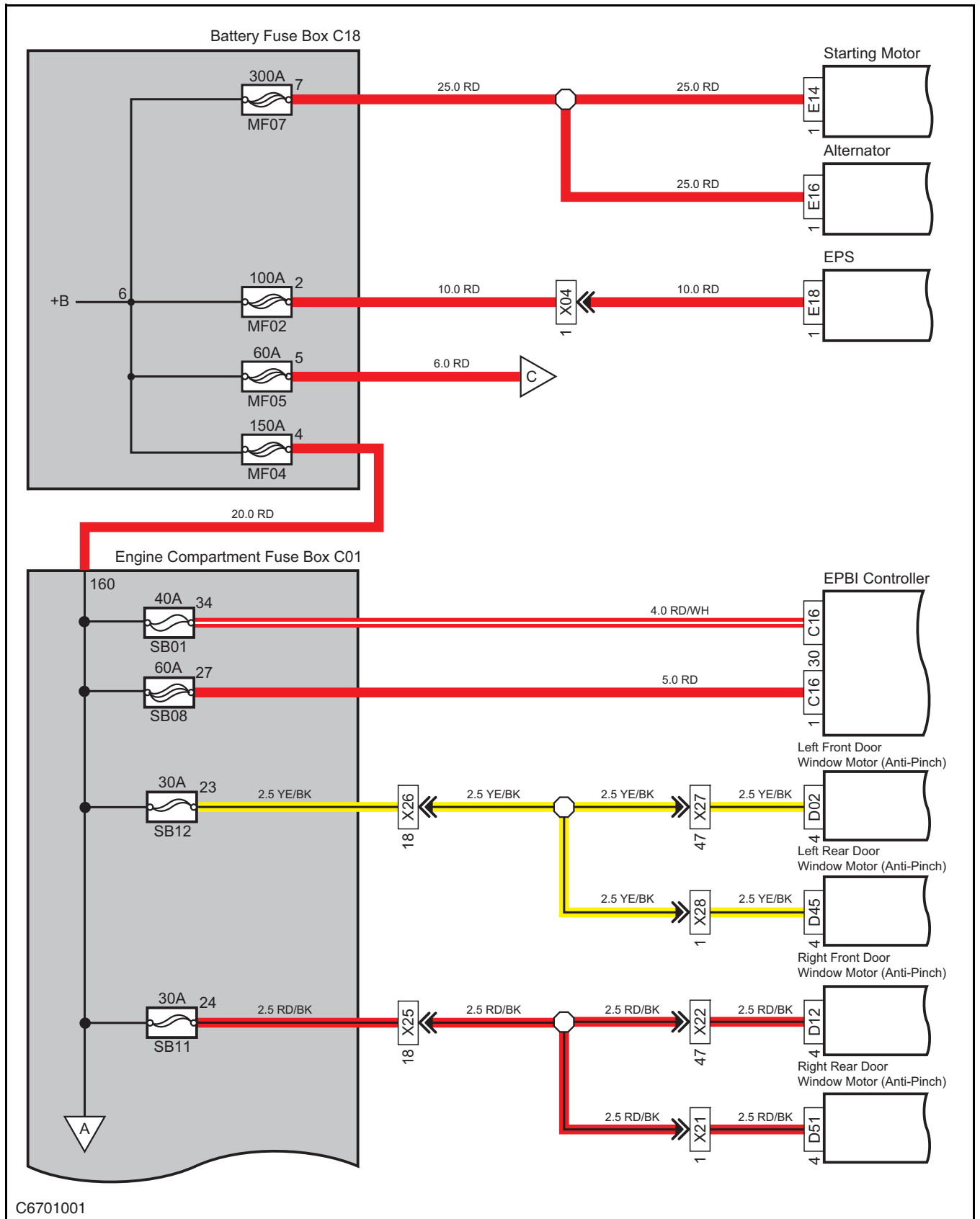
Power Supply Distribution - 9



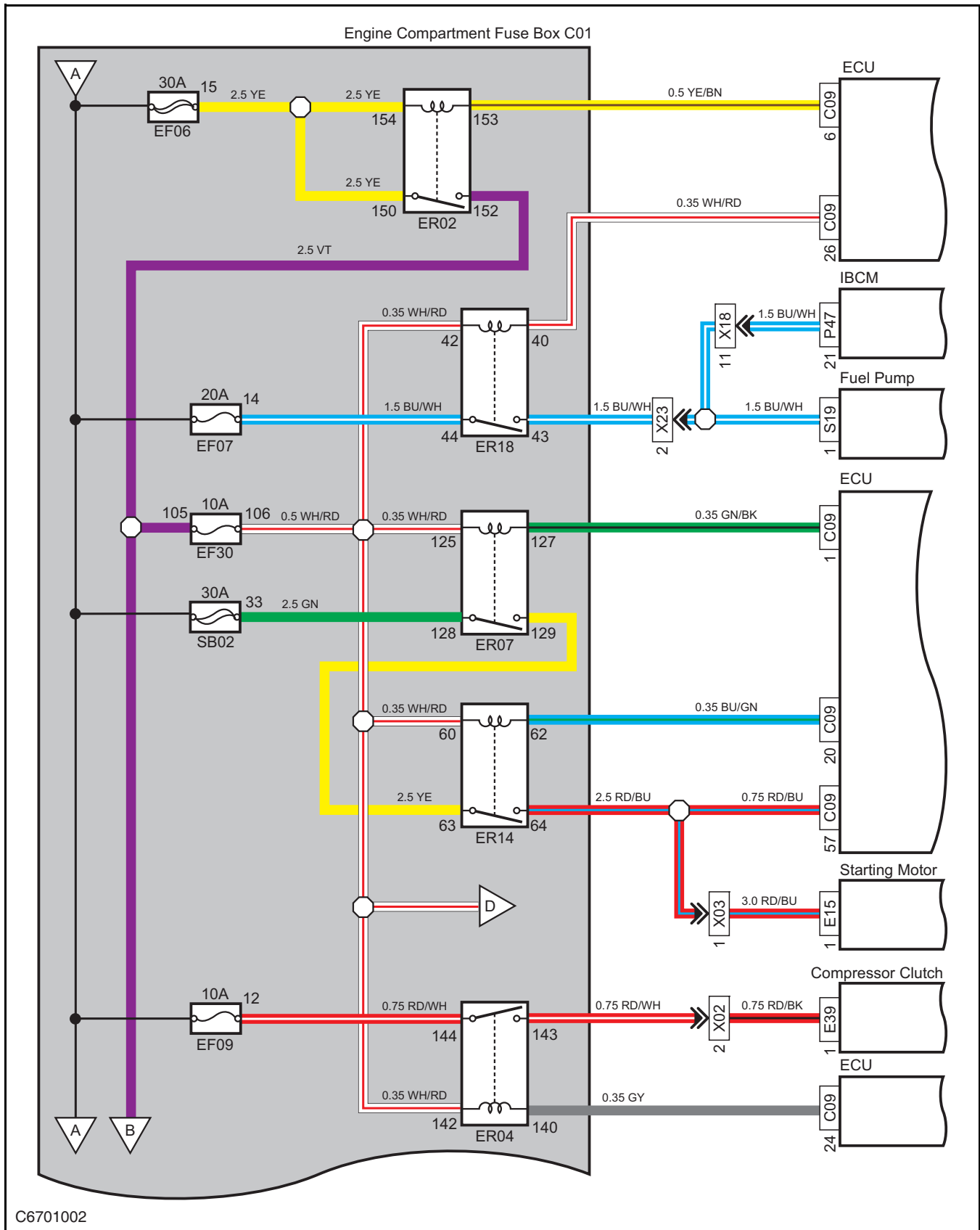
Power Supply Distribution - 10



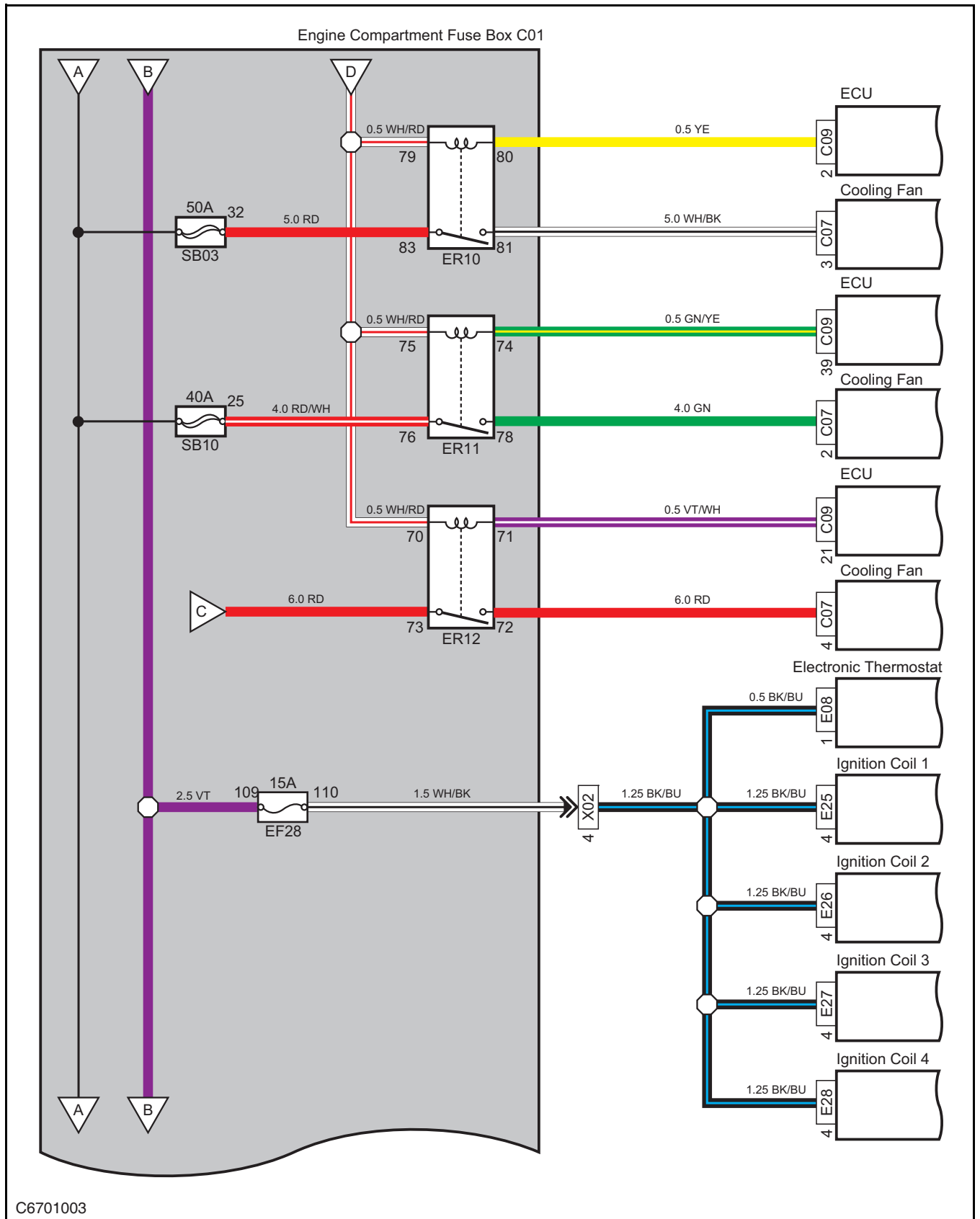
MF02 MF04 MF05 MF07 SB01 SB08 SB11 SB12



SB02 EF06 EF07 EF09 EF30 ER02 ER04 ER07 ER14 ER18

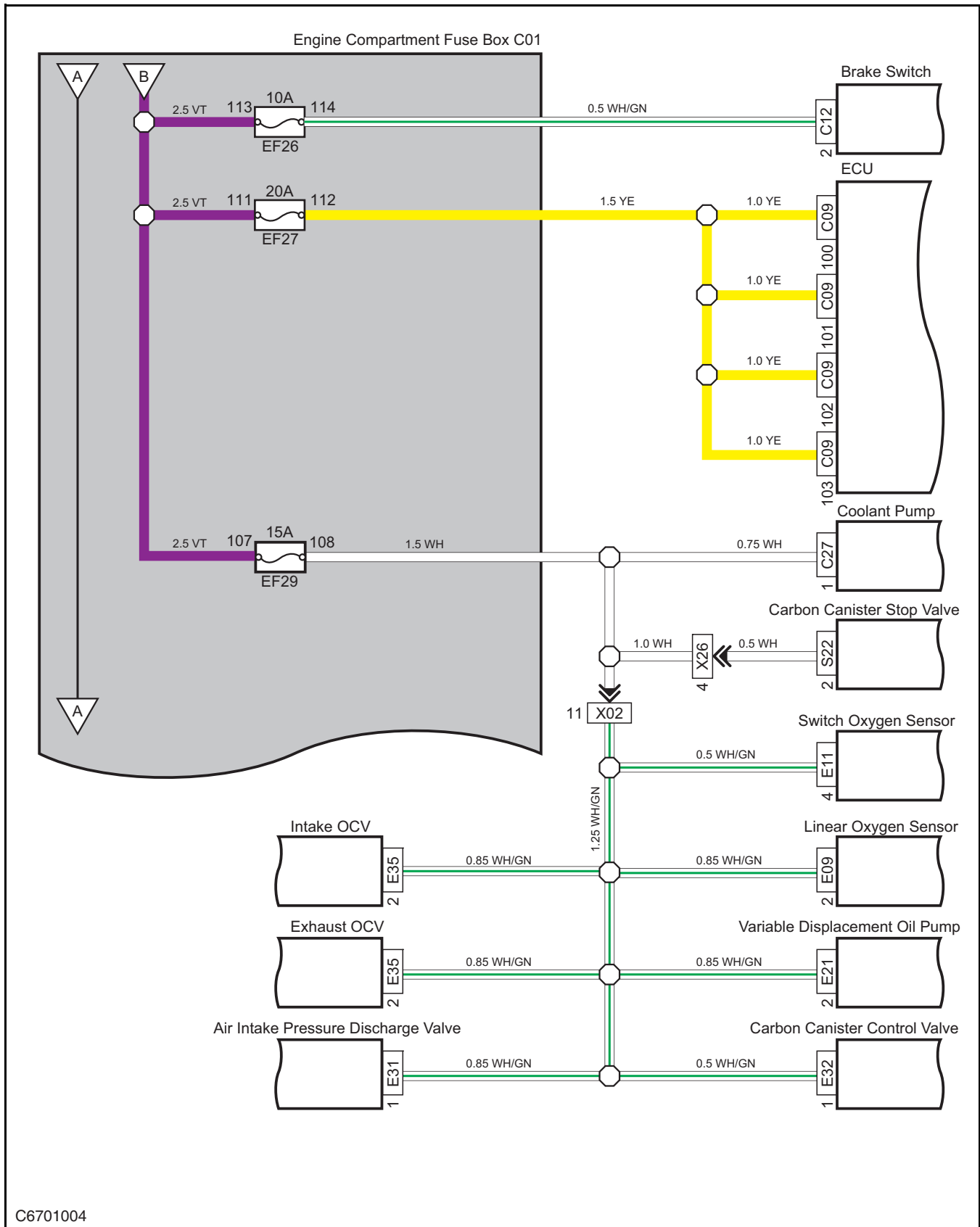


SB03 SB10 EF28 ER10 ER11 ER12



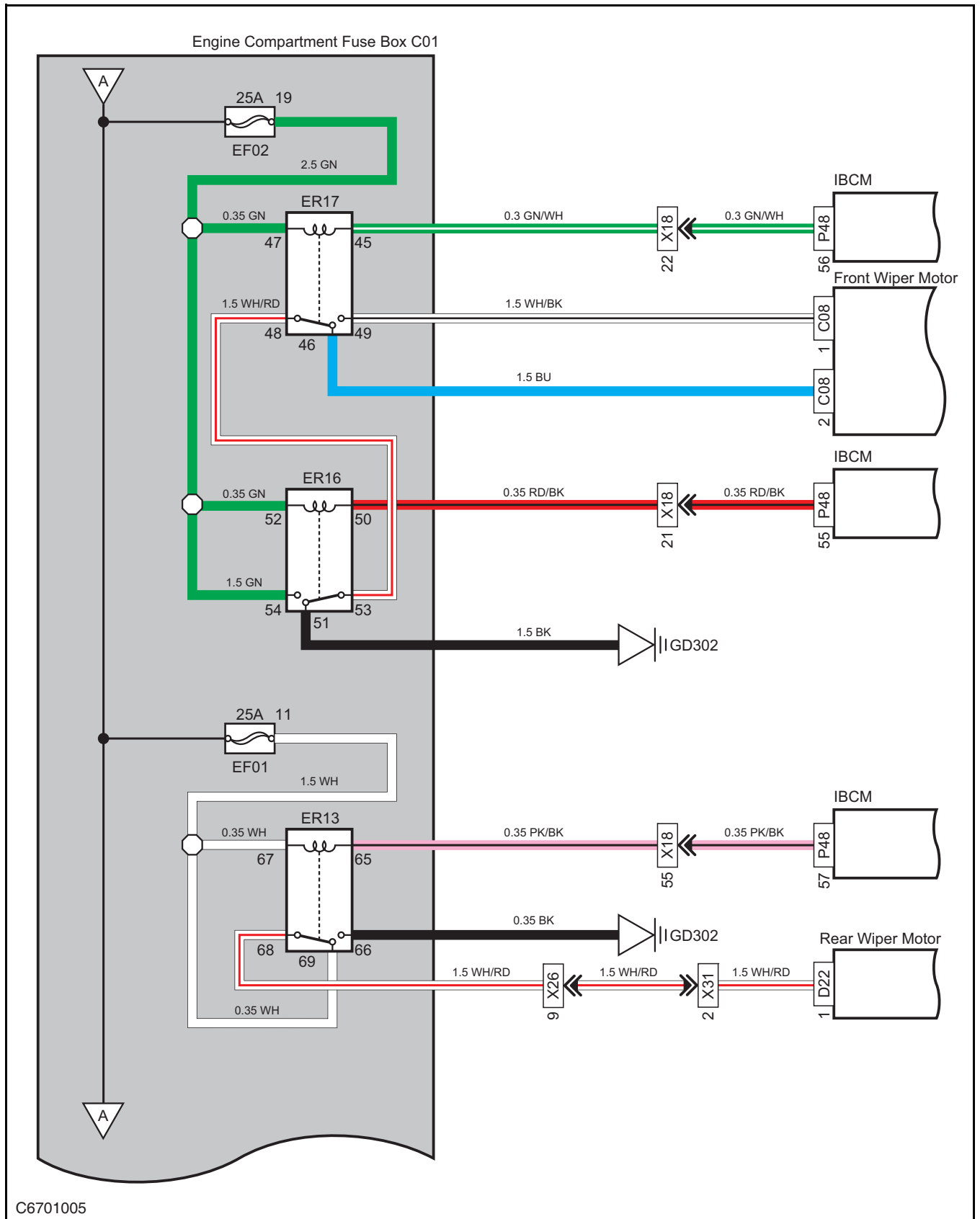
C6701003

EF26 EF27 EF29



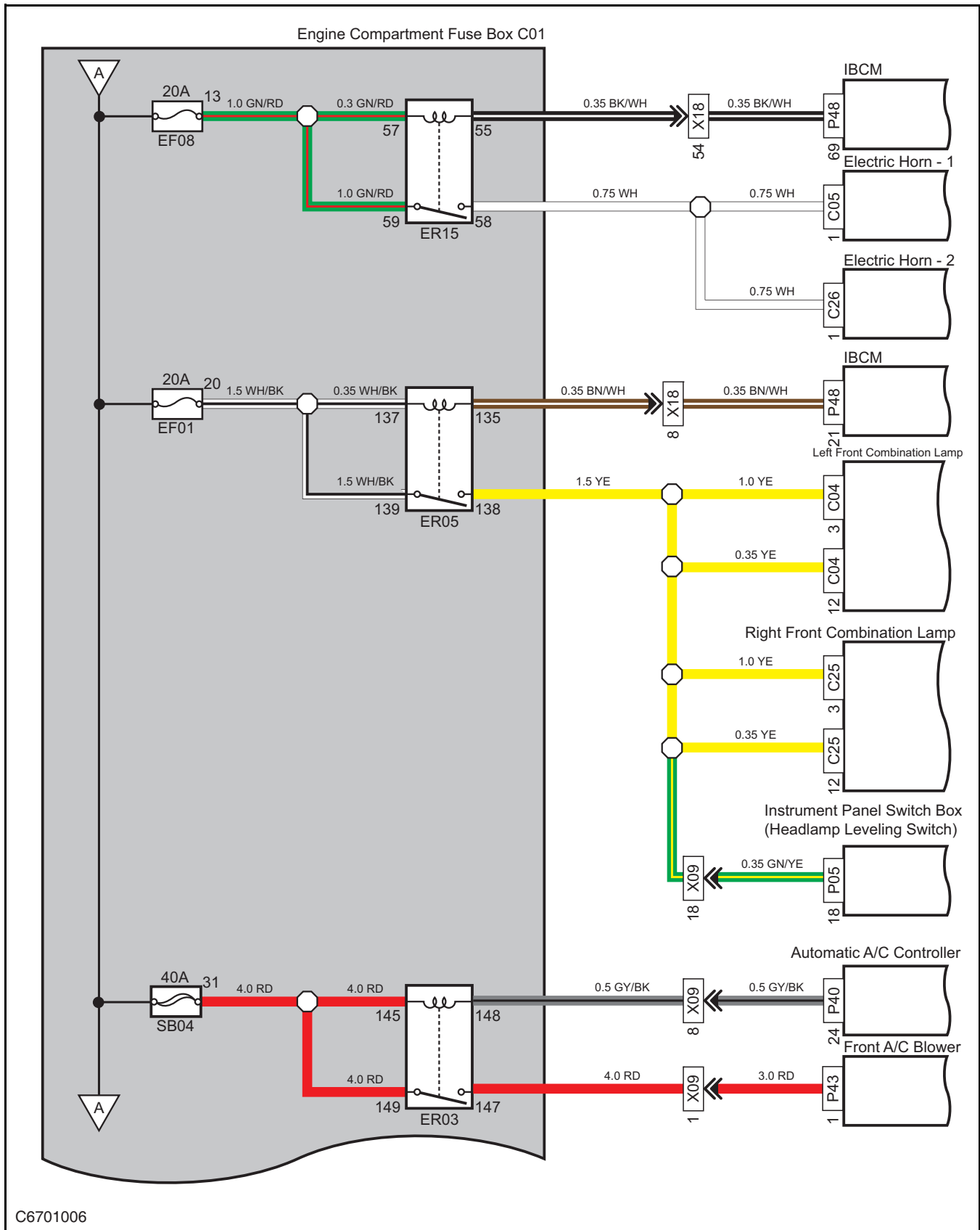
C6701004

EF01 EF02 ER13 ER16 ER17

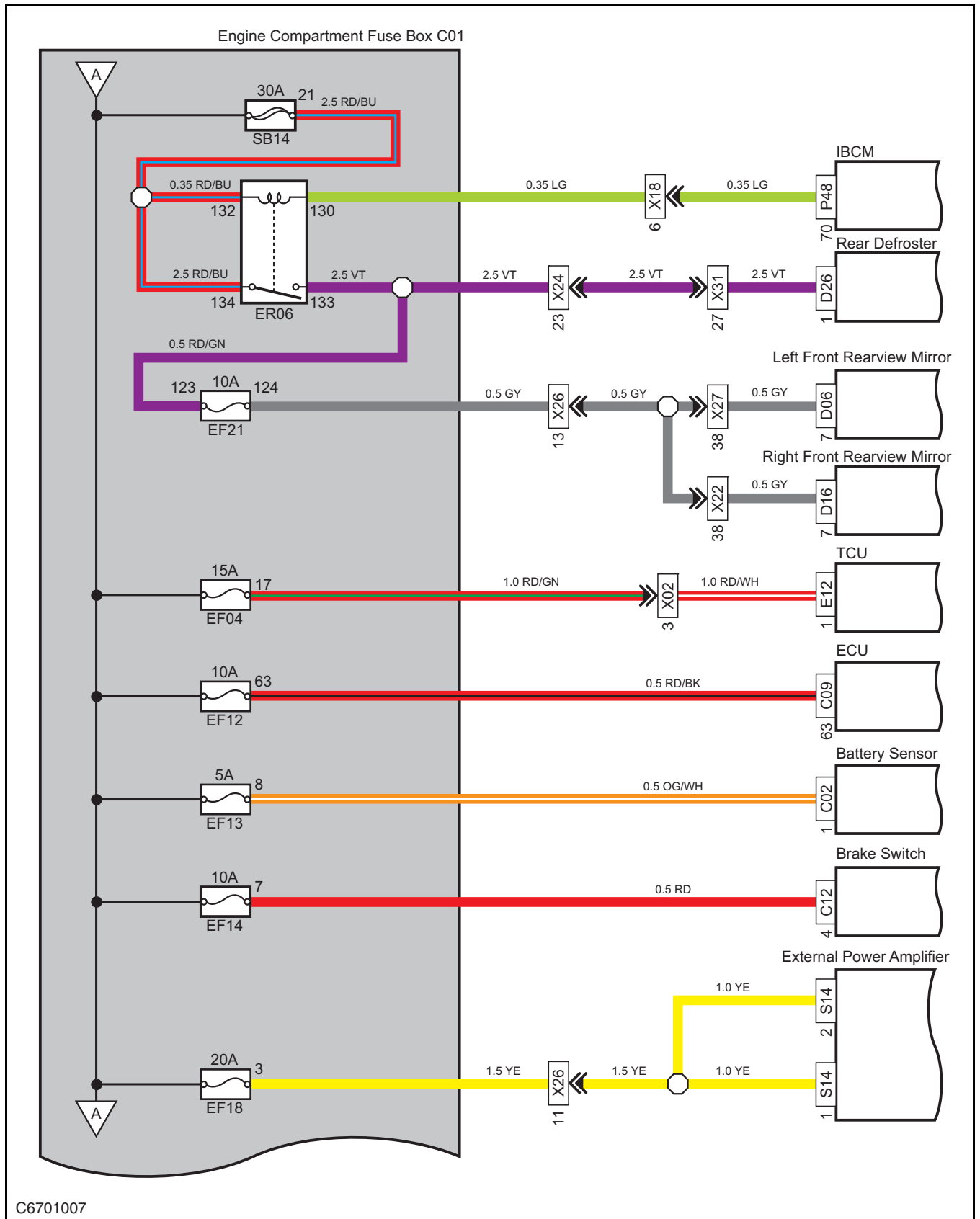


C6701005

SB04 EF01 EF08 ER03 ER05 ER15

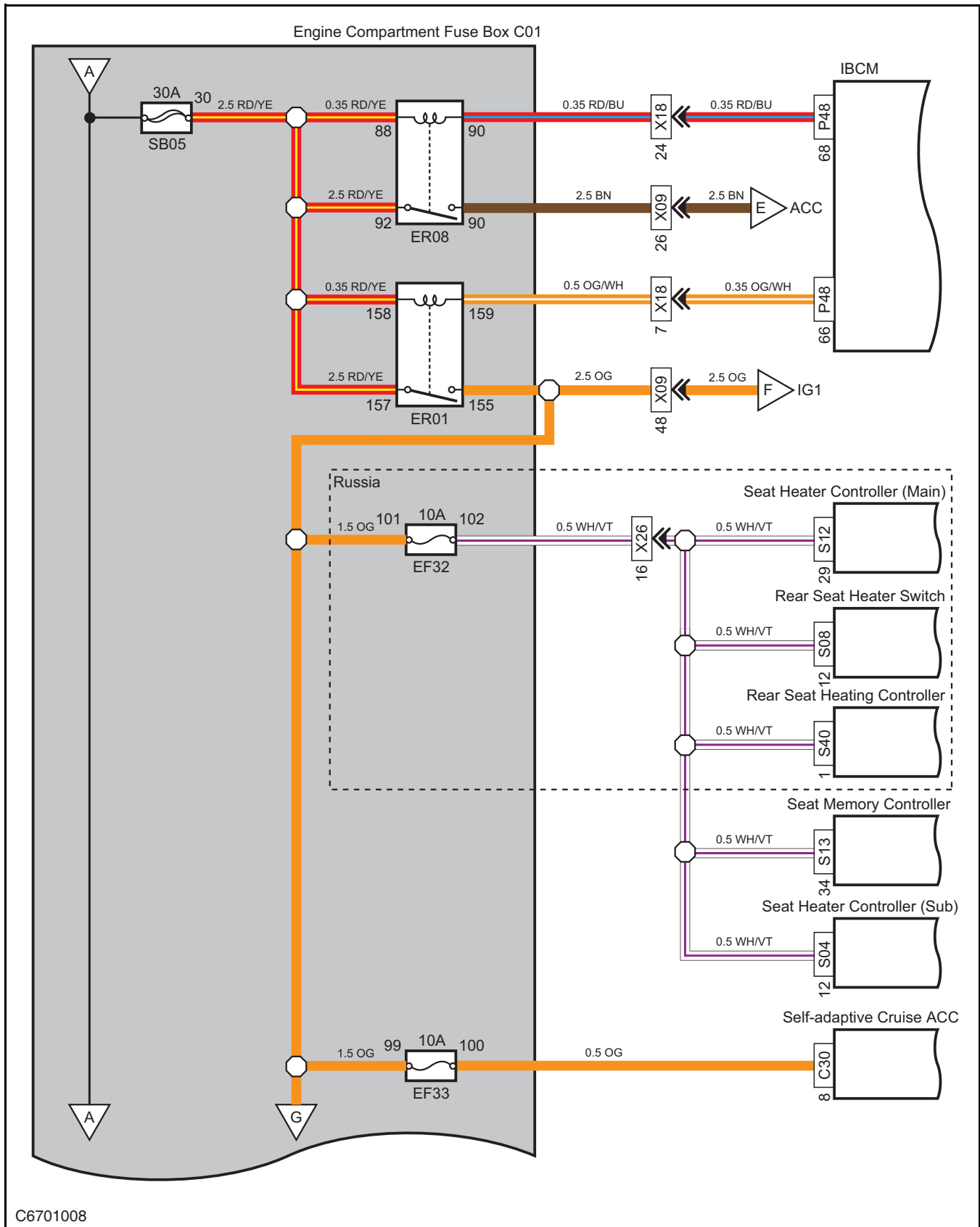


SB14 EF04 EF12 EF13 EF14 EF18 ER06

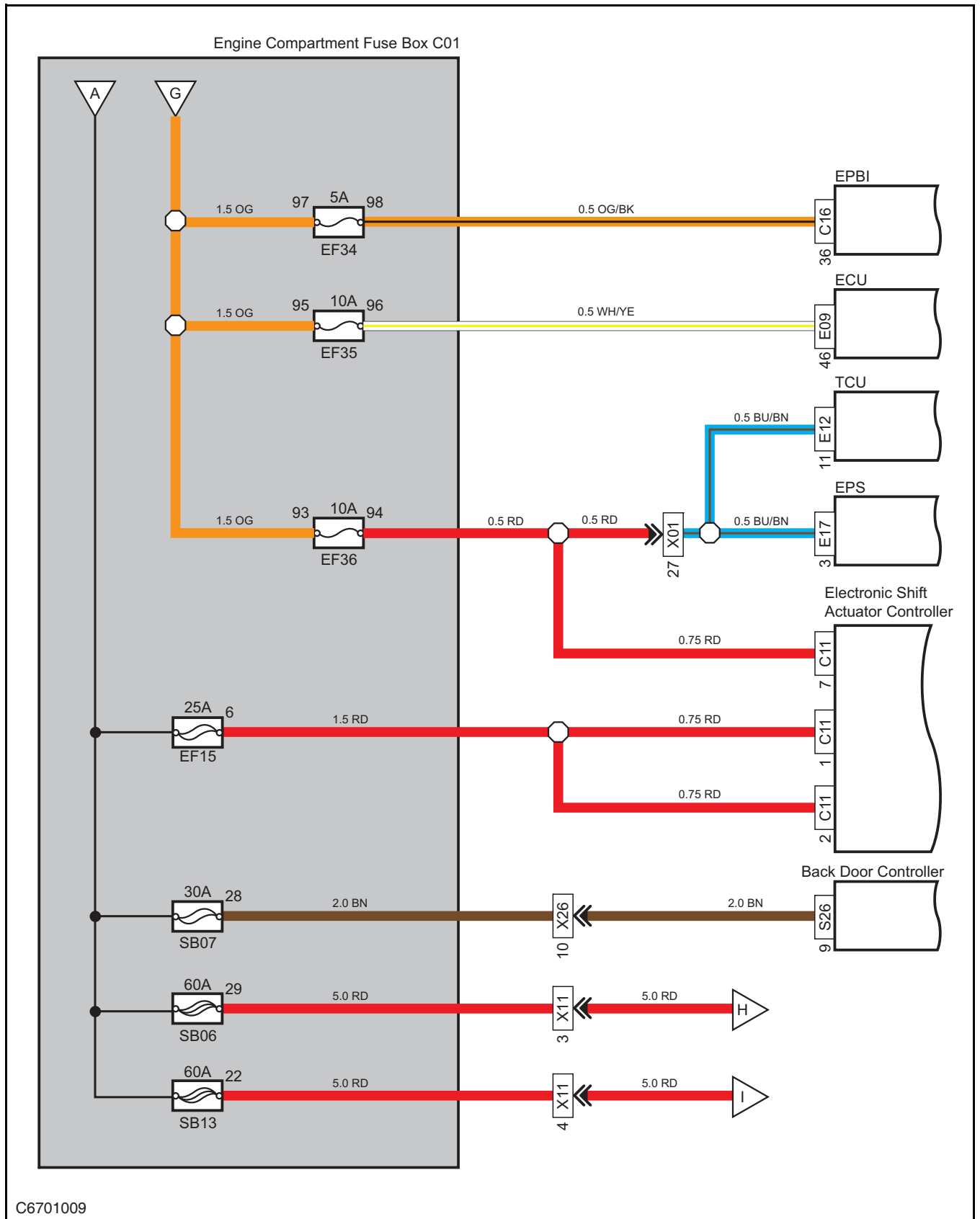


C6701007

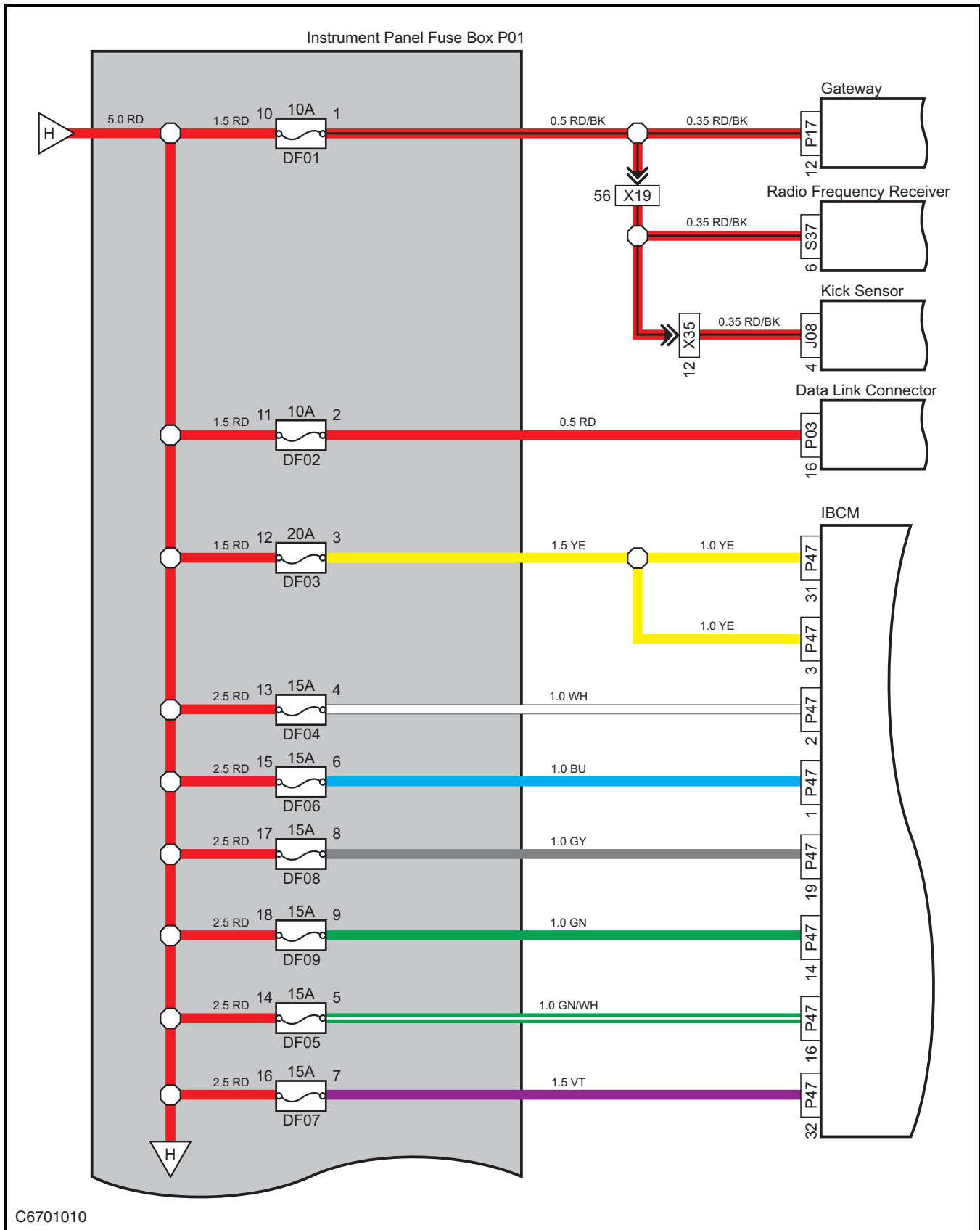
SB05 EF32 EF33 ER01 ER08



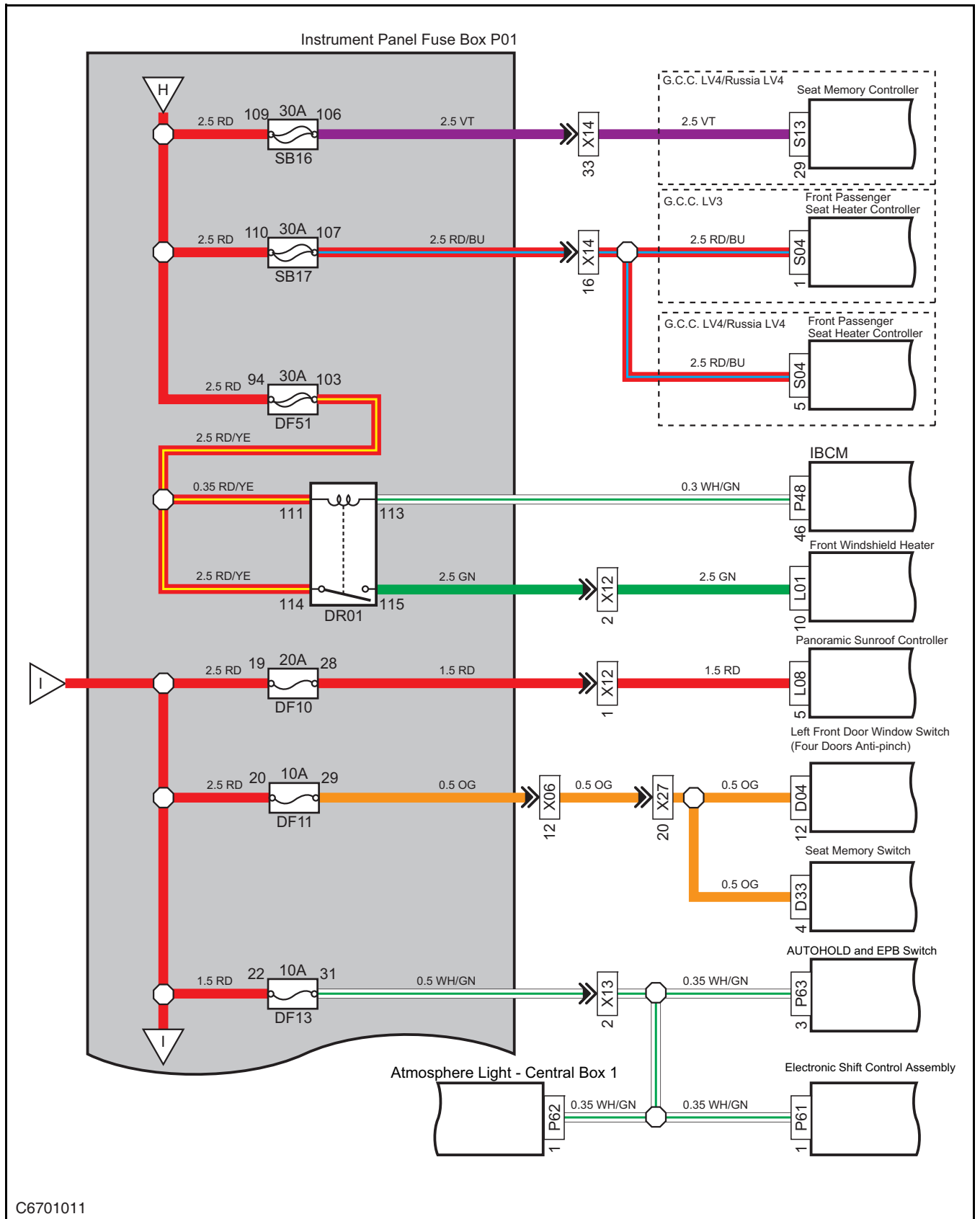
SB06 SB07 SB13 EF15 EF34 EF35 EF36



DF01 DF02 DF03 DF04 DF05 DF06 DF07 DF08 DF09

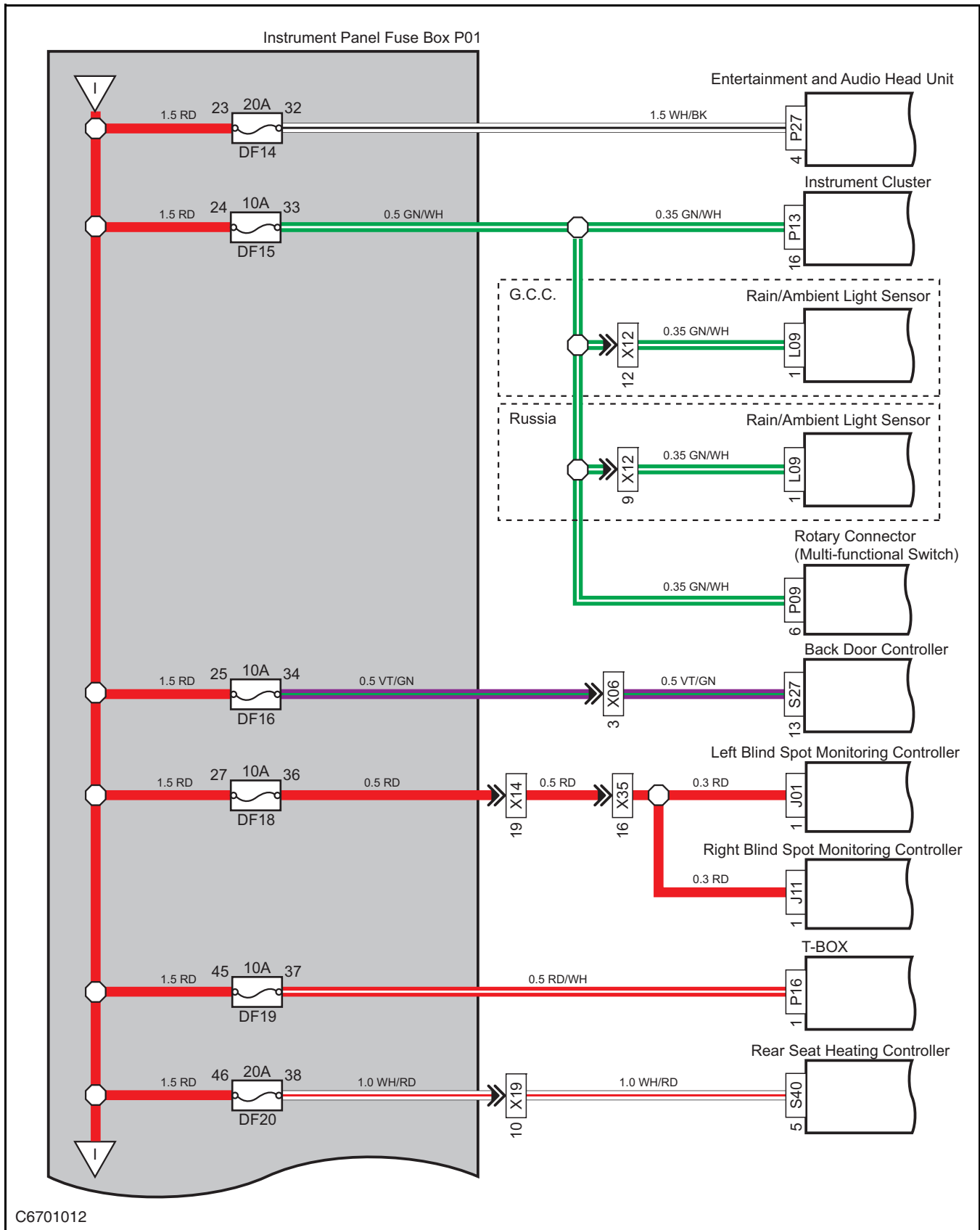


SB16 SB17 DF10 DF11 DF13 DF51 DR01

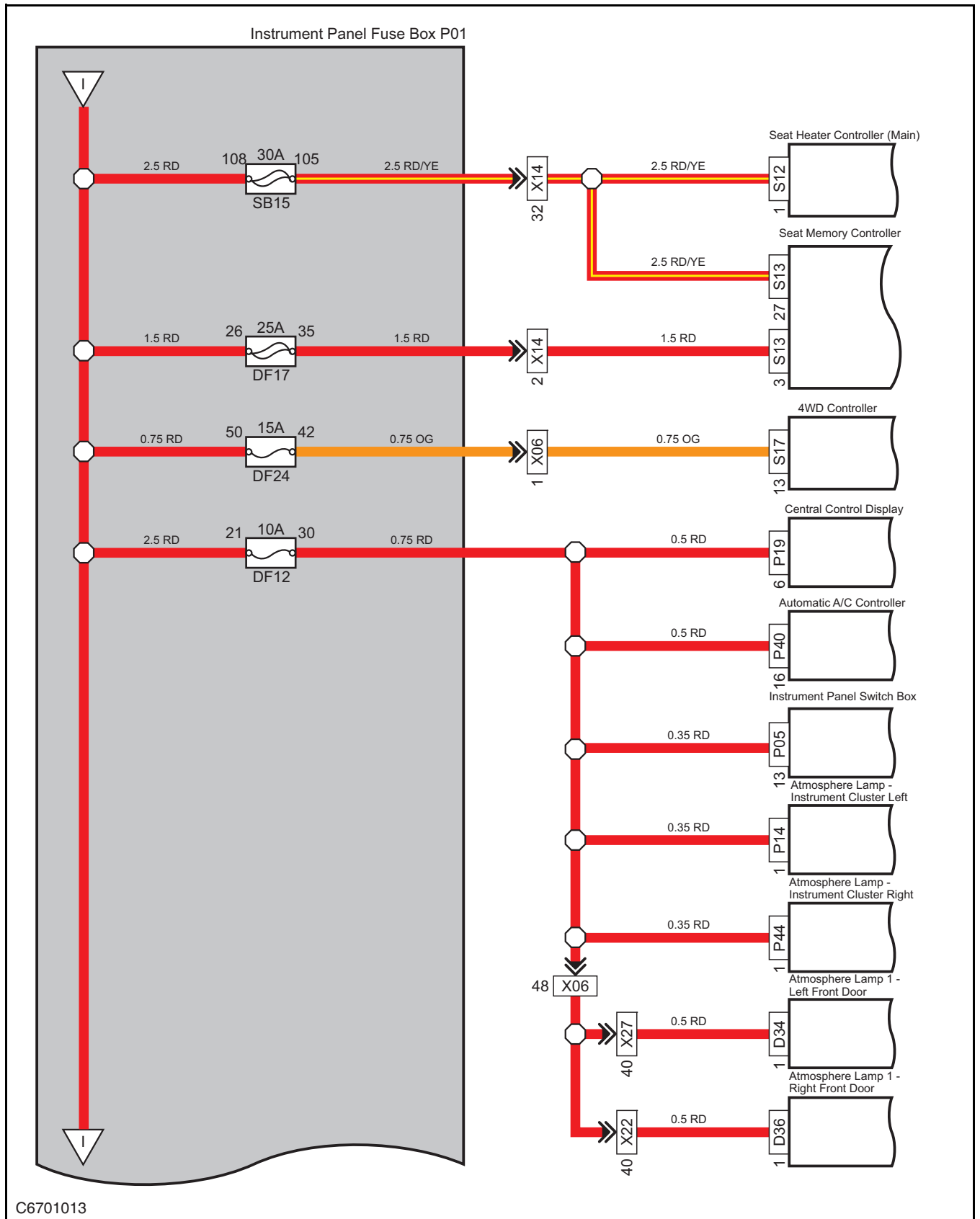


C6701011

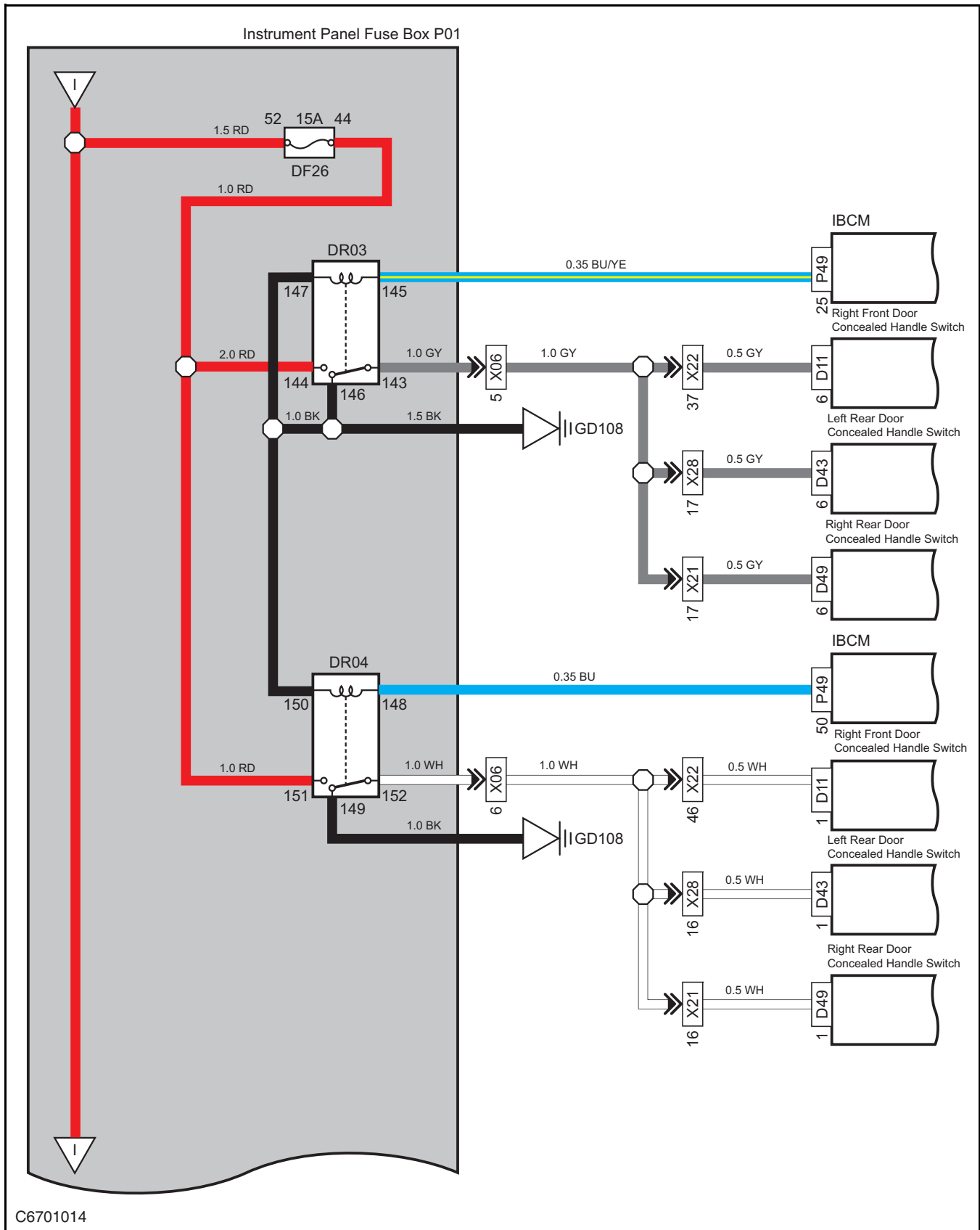
DF14 DF15 DF16 DF18 DF19 DF20



SB15 DF12 DF17 DF24

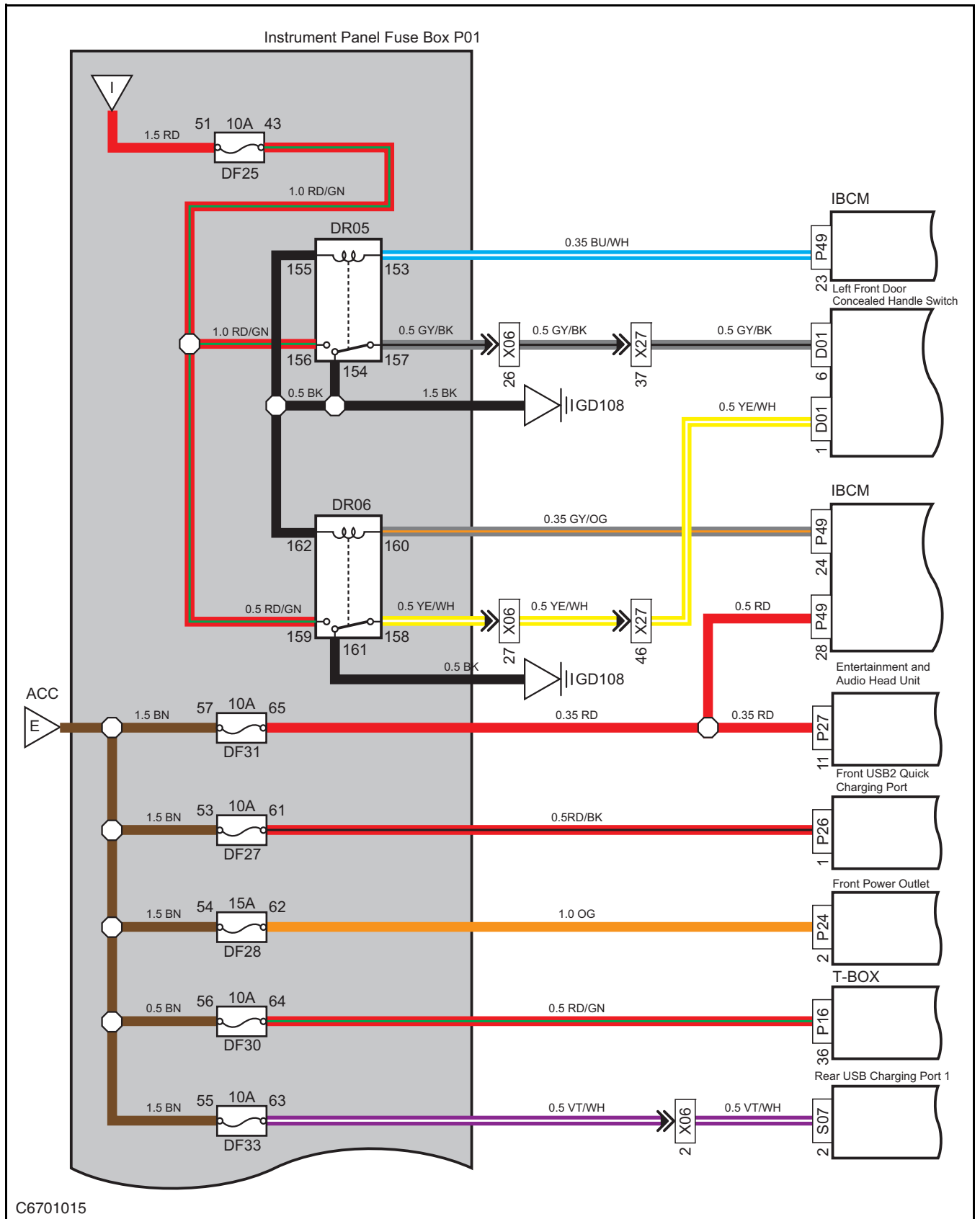


DF26 DR03 DR04

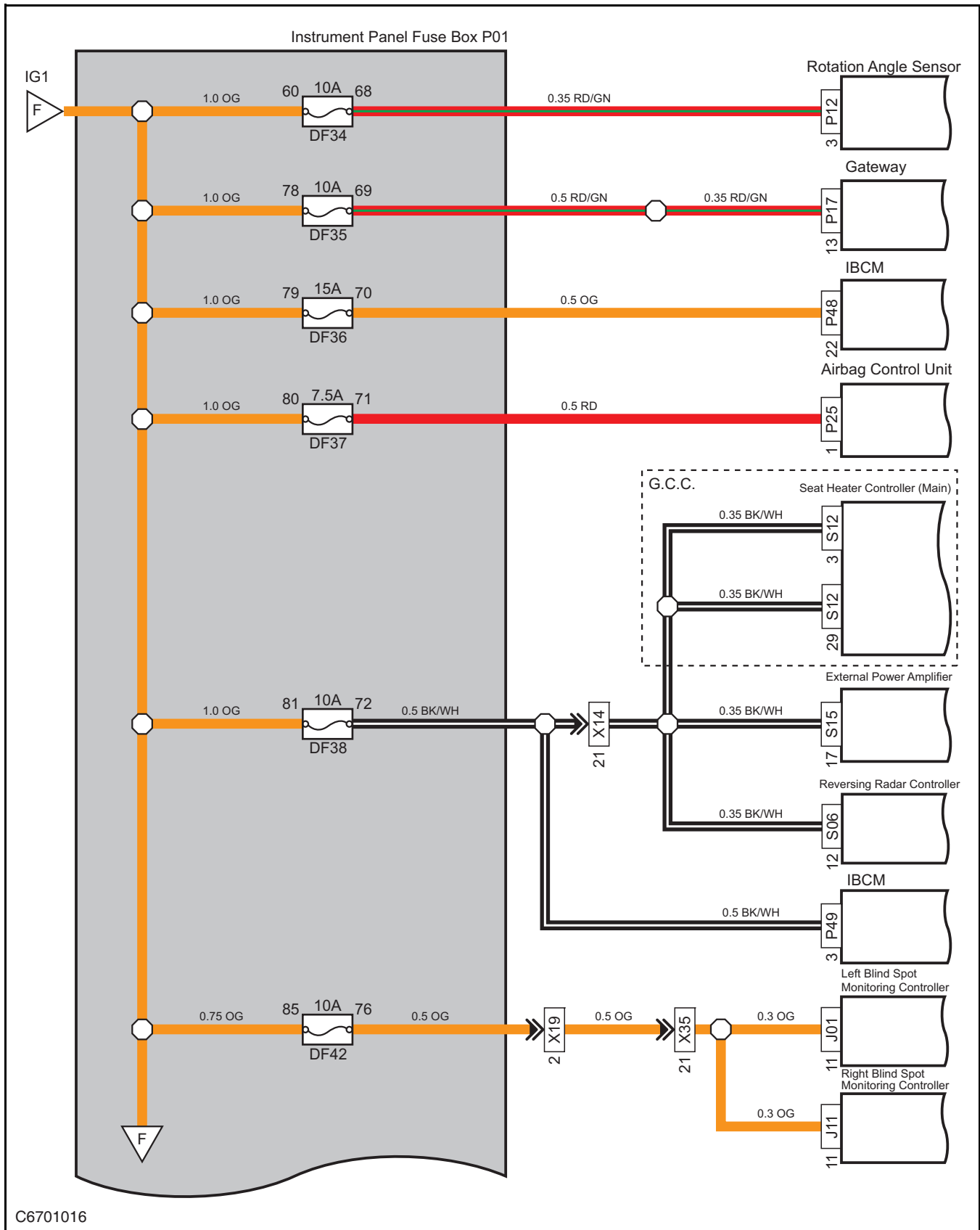


C6701014

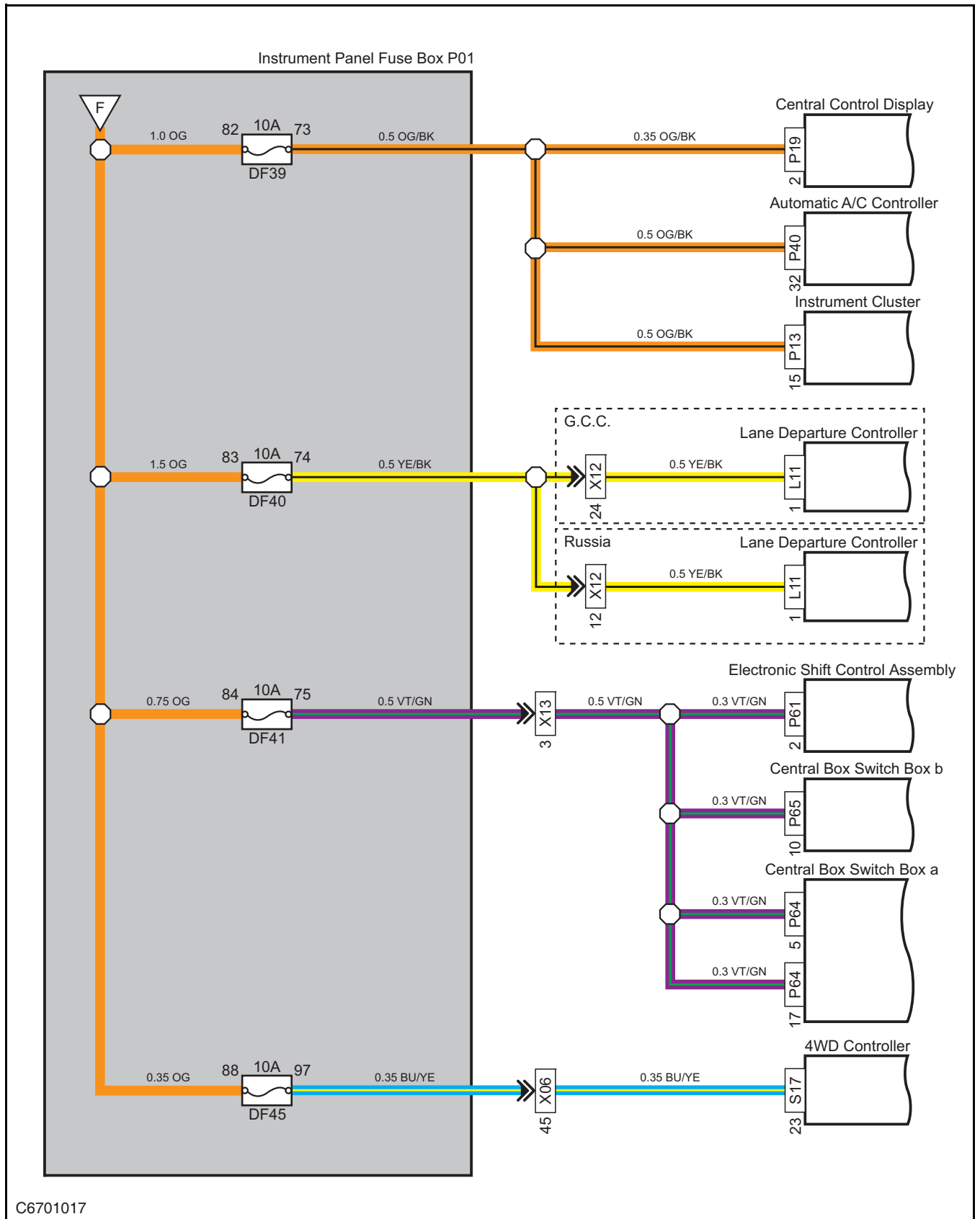
DF25 DF27 DF28 DF30 DF31 DF33



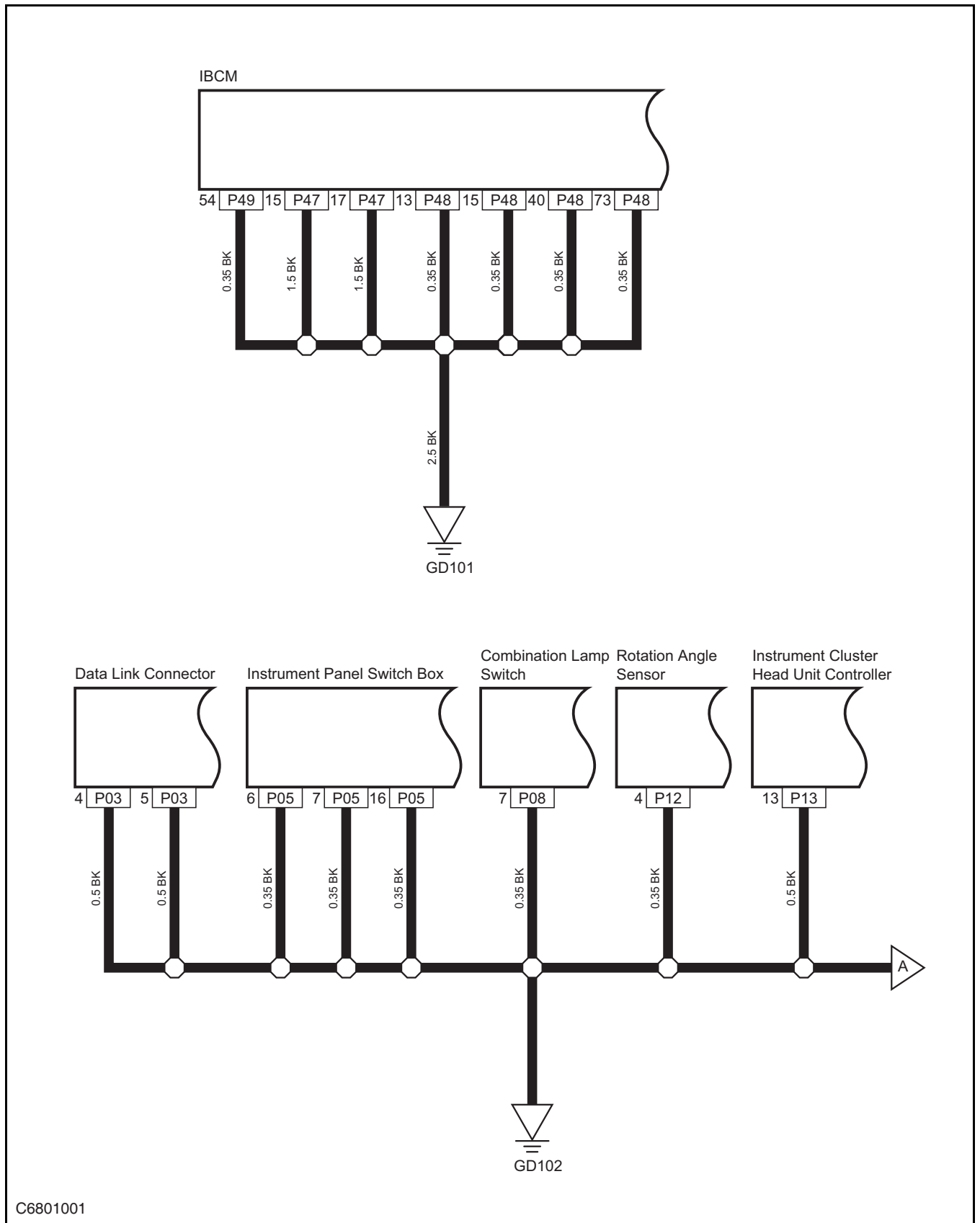
DF34 DF35 DF36 DF37 DF38 DF42 DR05 DR06



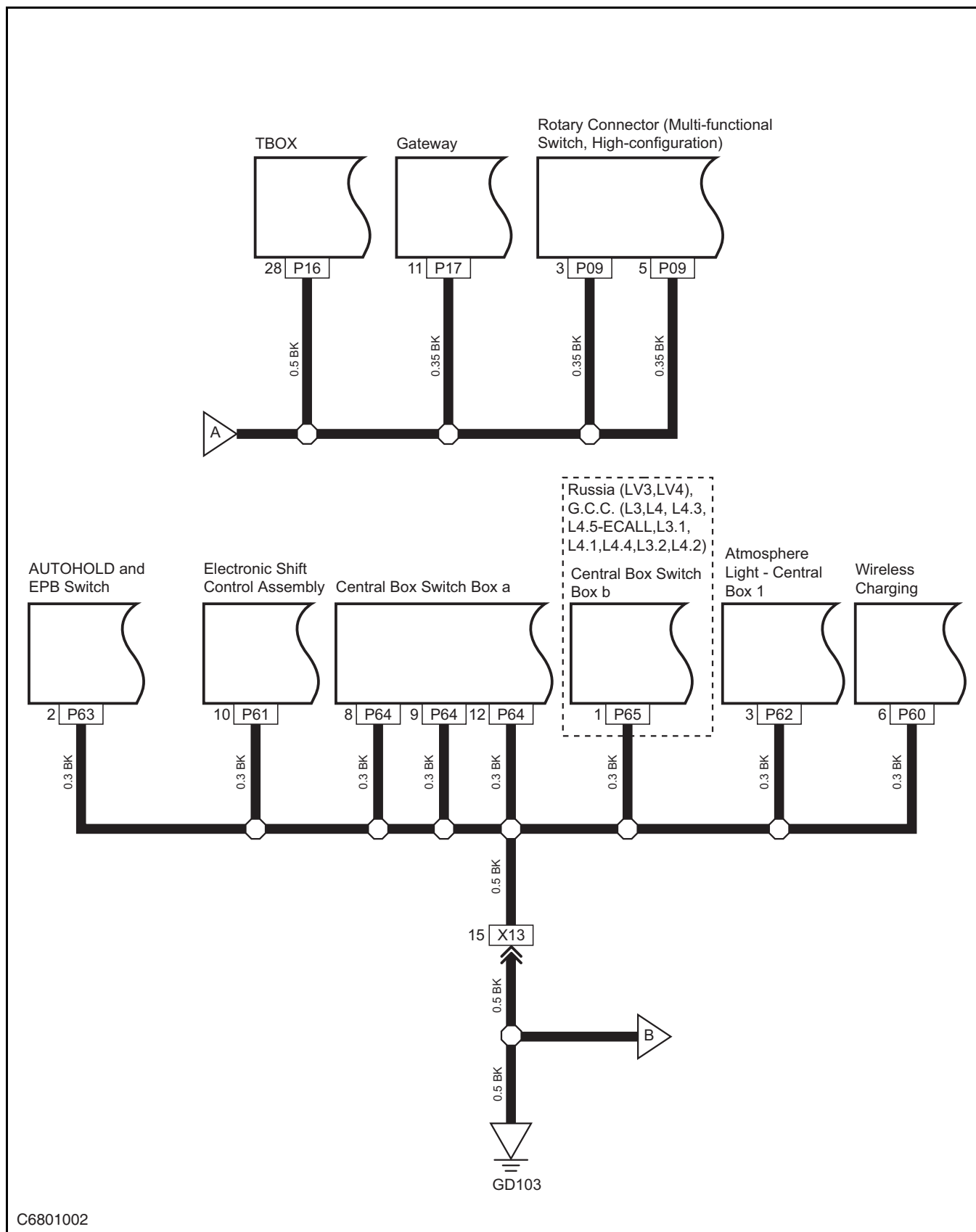
DF39 DF40 DF41 DF45



GD101 GD102

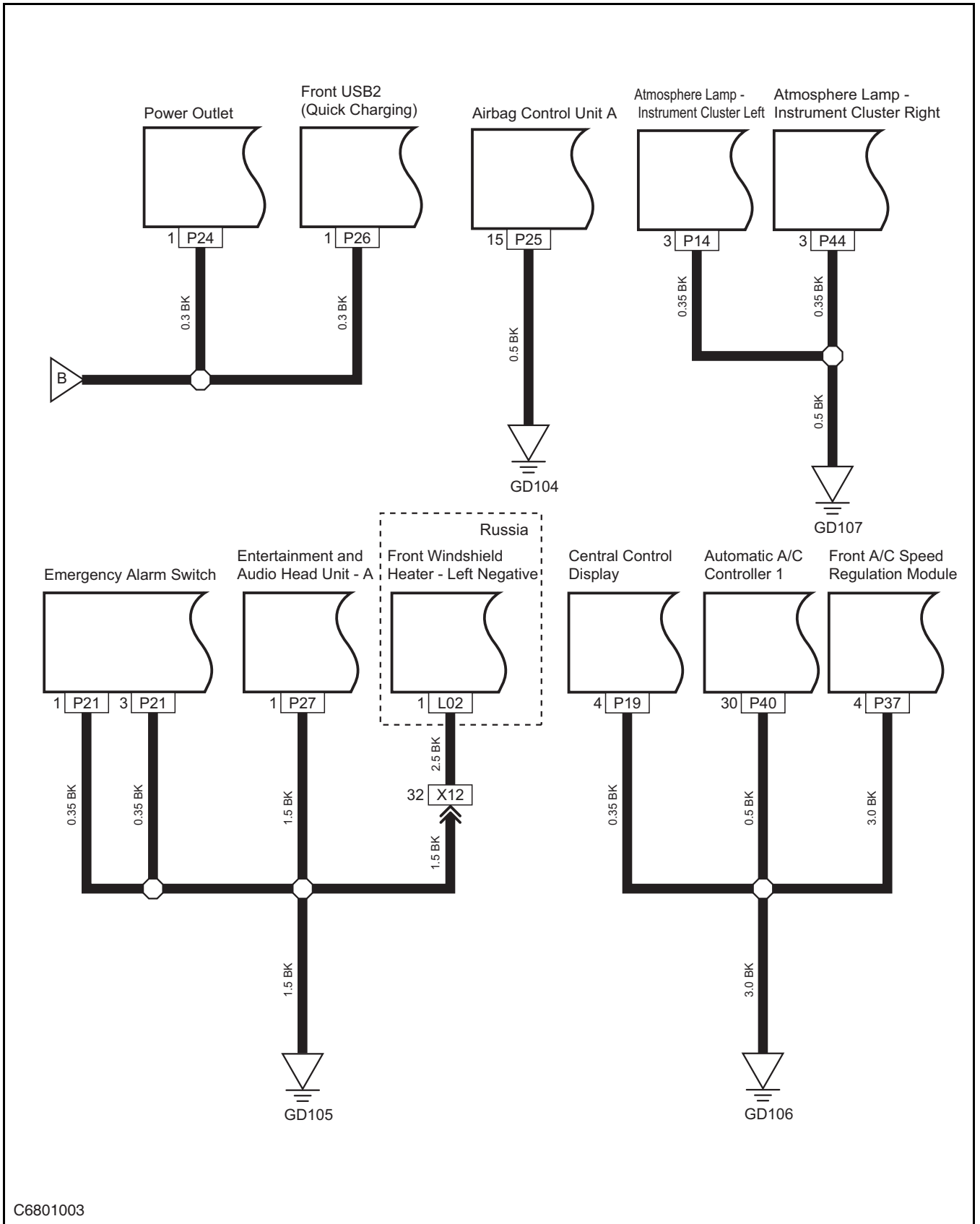


GD103



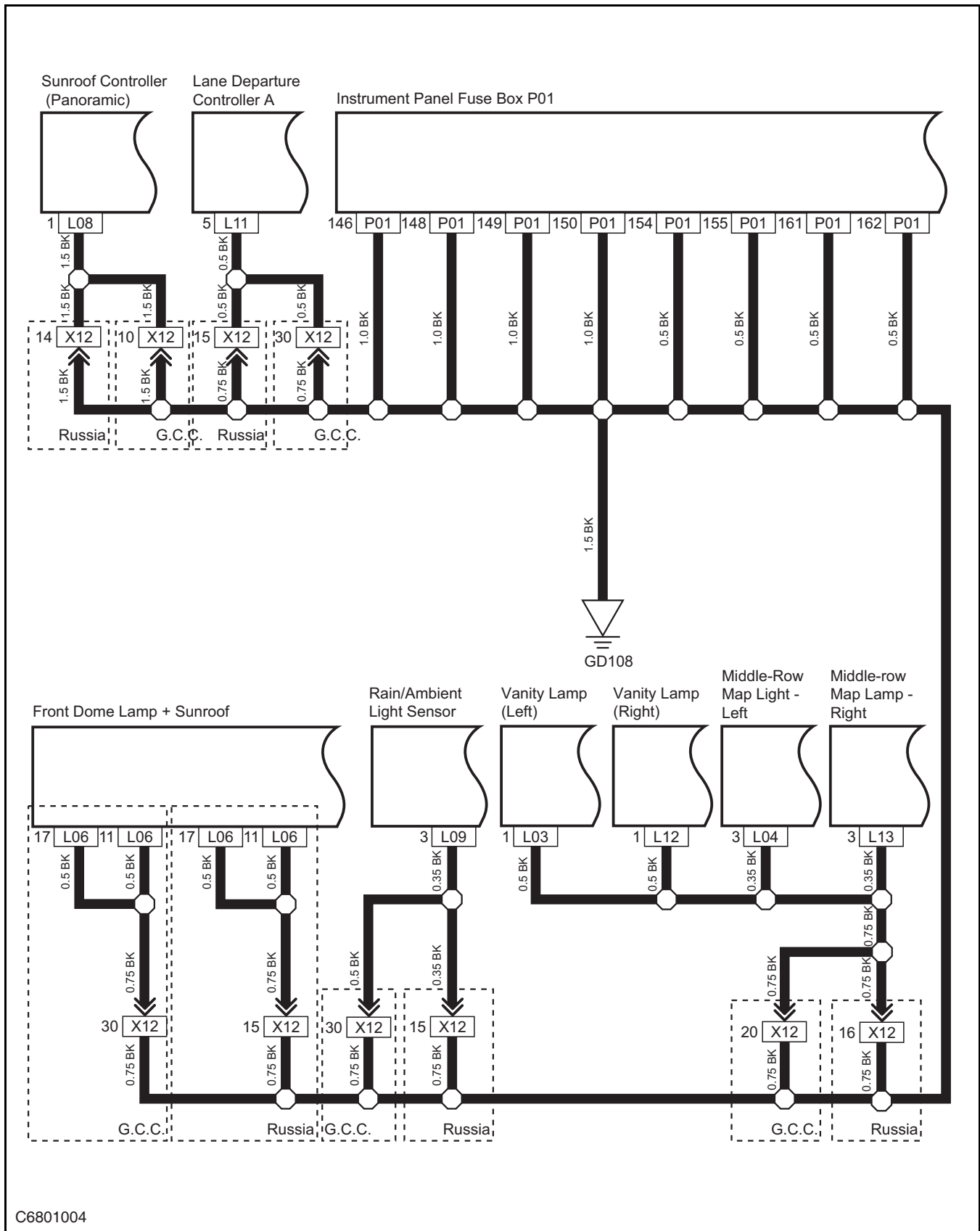
C6801002

GD104 GD105 GD106 GD107



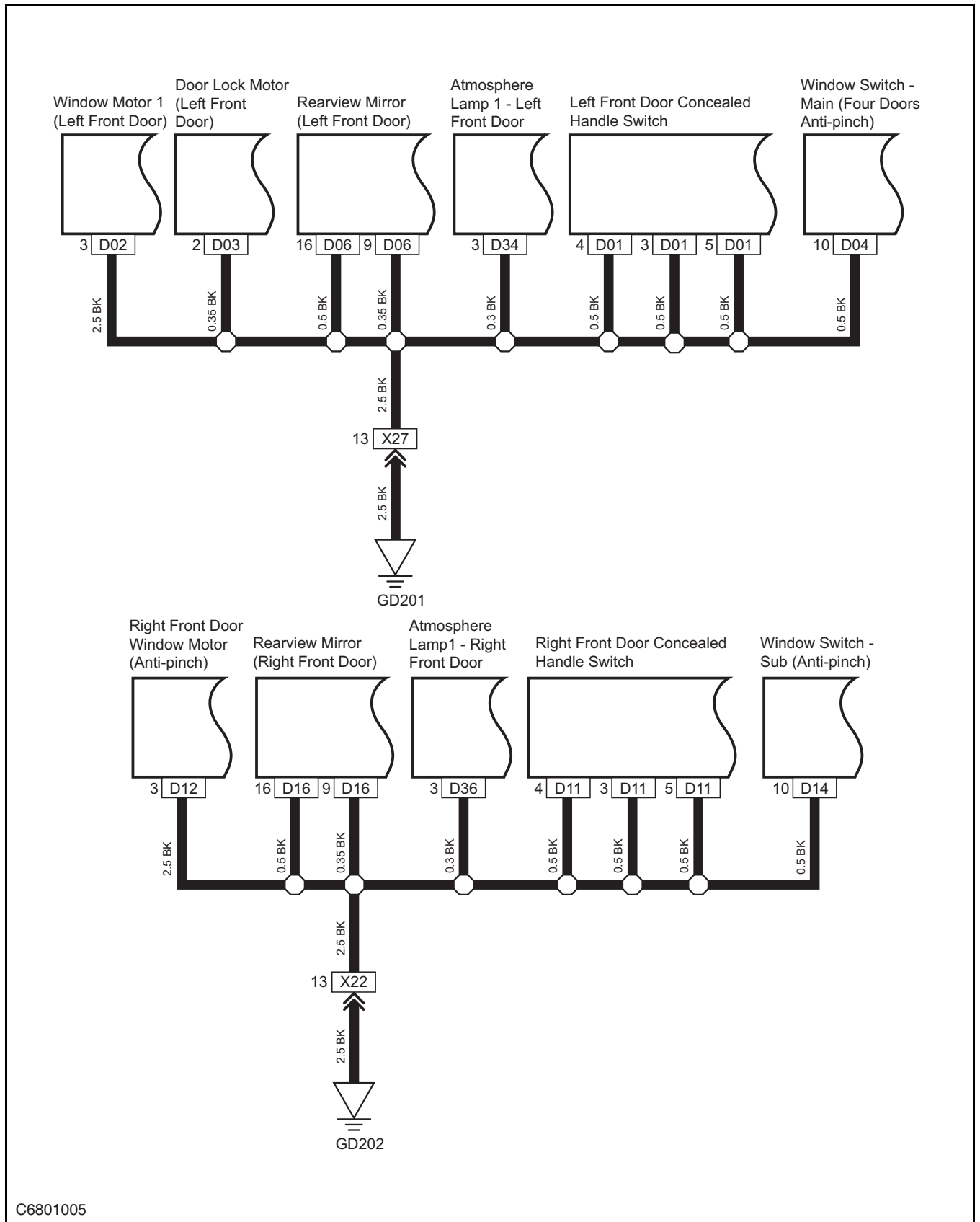
C6801003

GD108



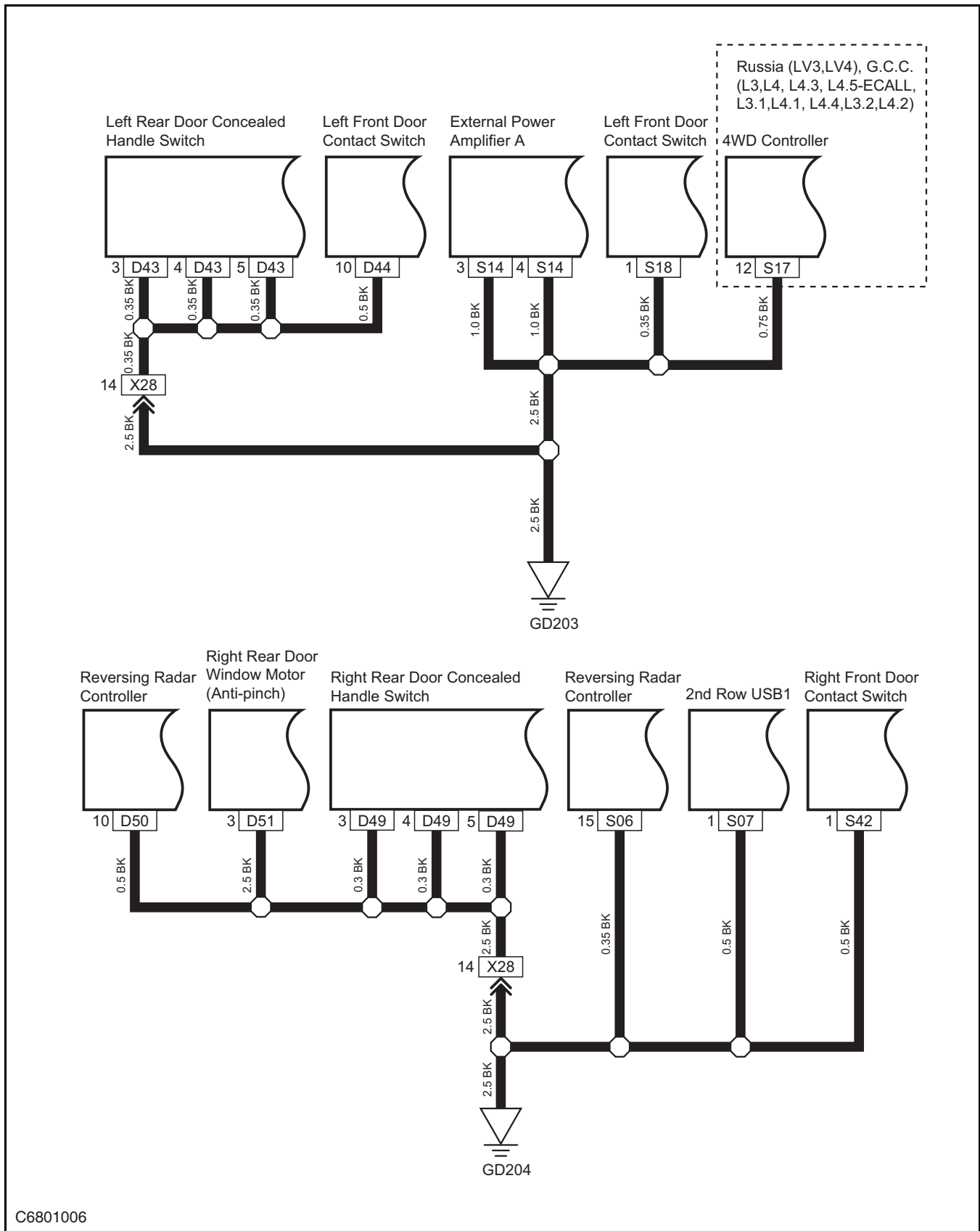
C6801004

GD201 GD202



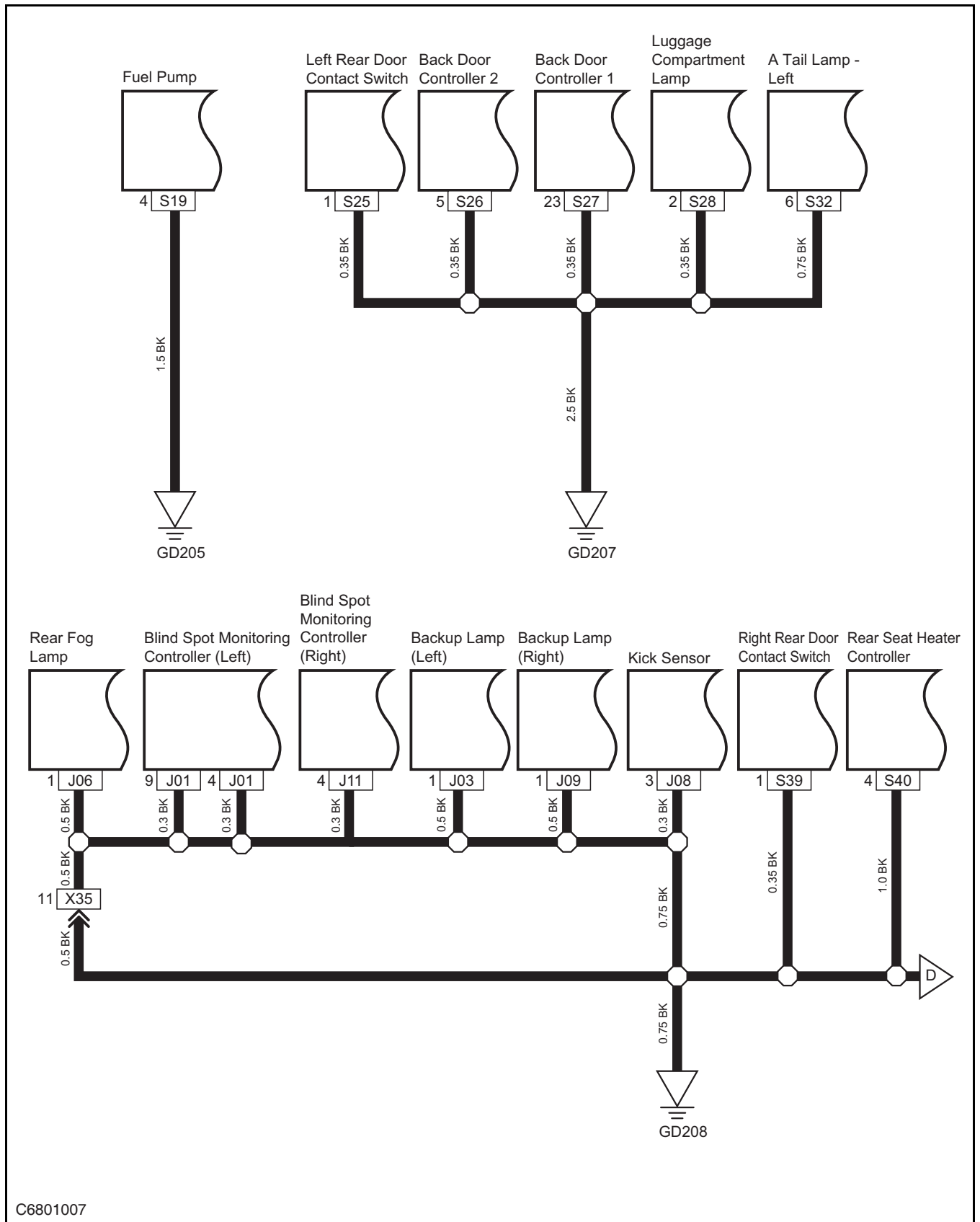
C6801005

GD203 GD204



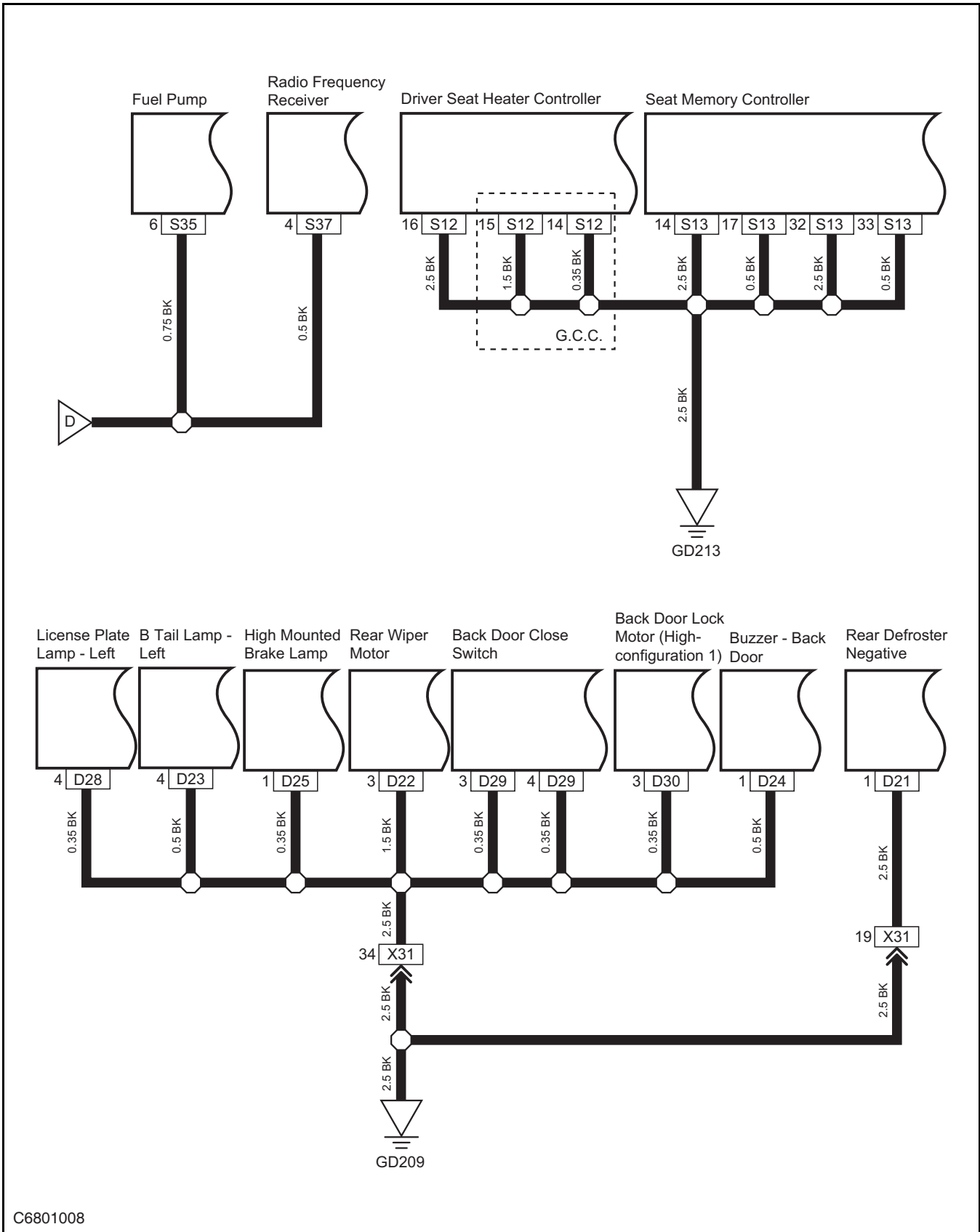
C6801006

GD205 GD207 GD208



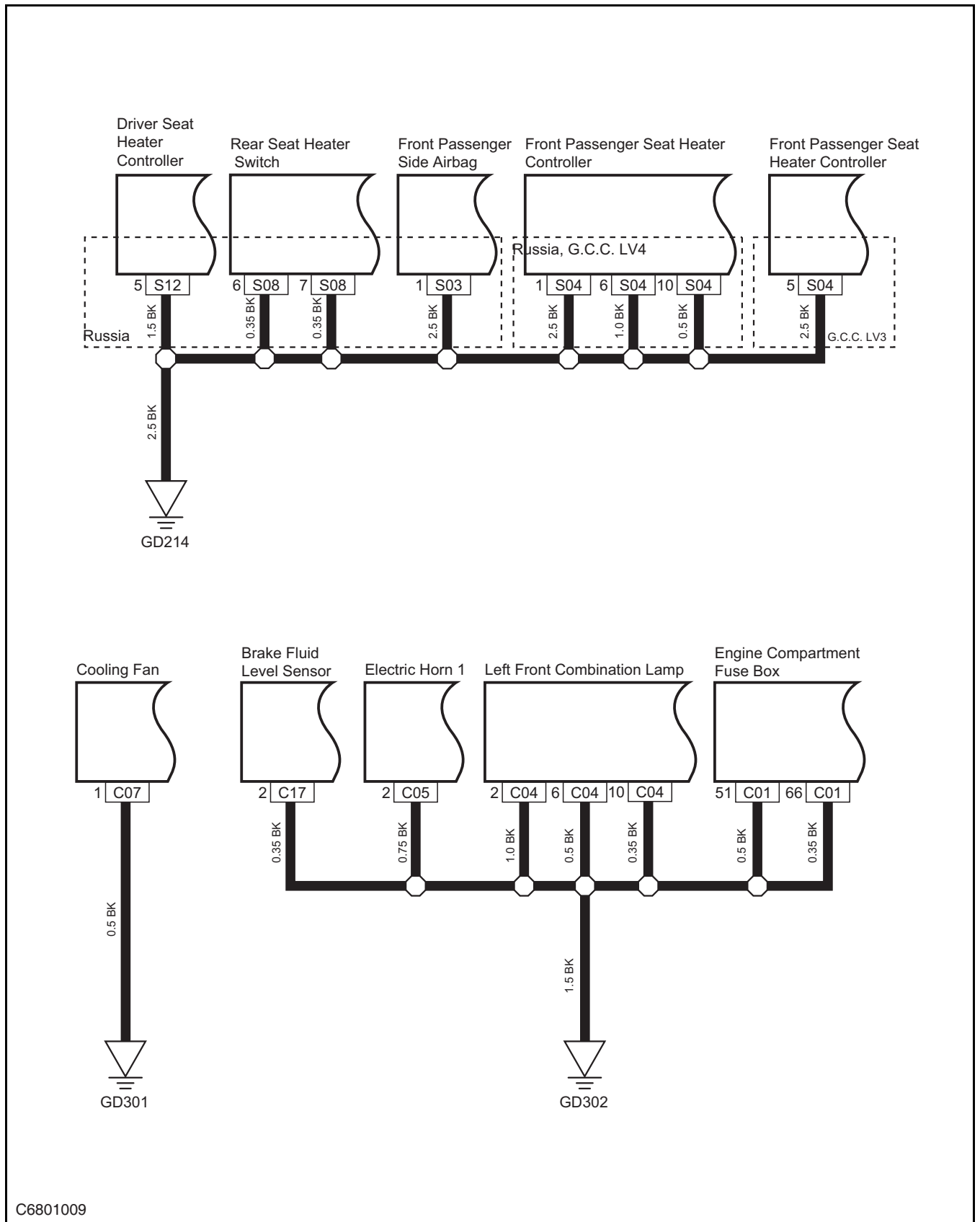
C6801007

GD209 GD213



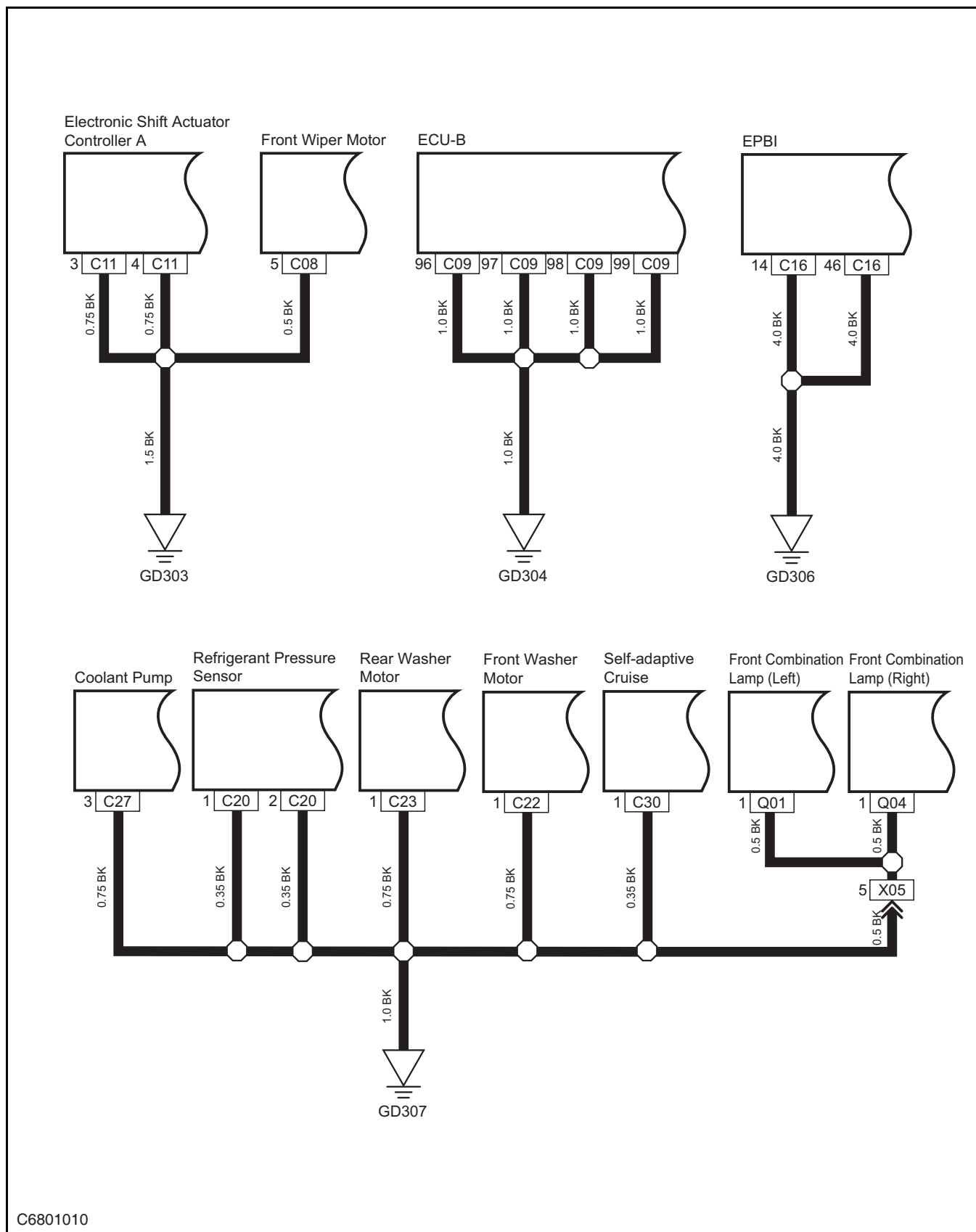
C6801008

GD214 GD301 GD302



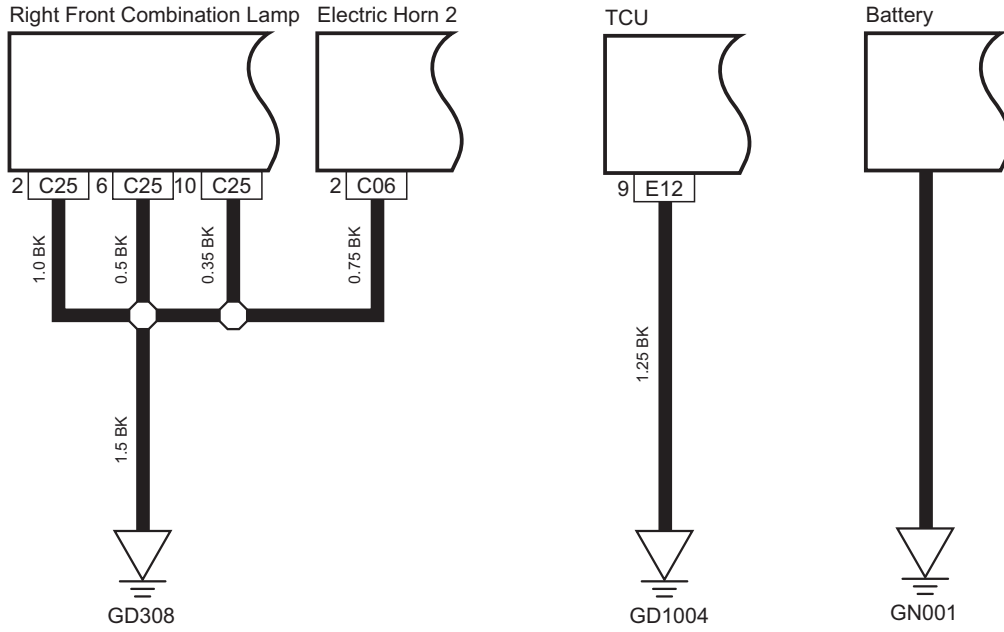
C6801009

GD303 GD304 GD306 GD307



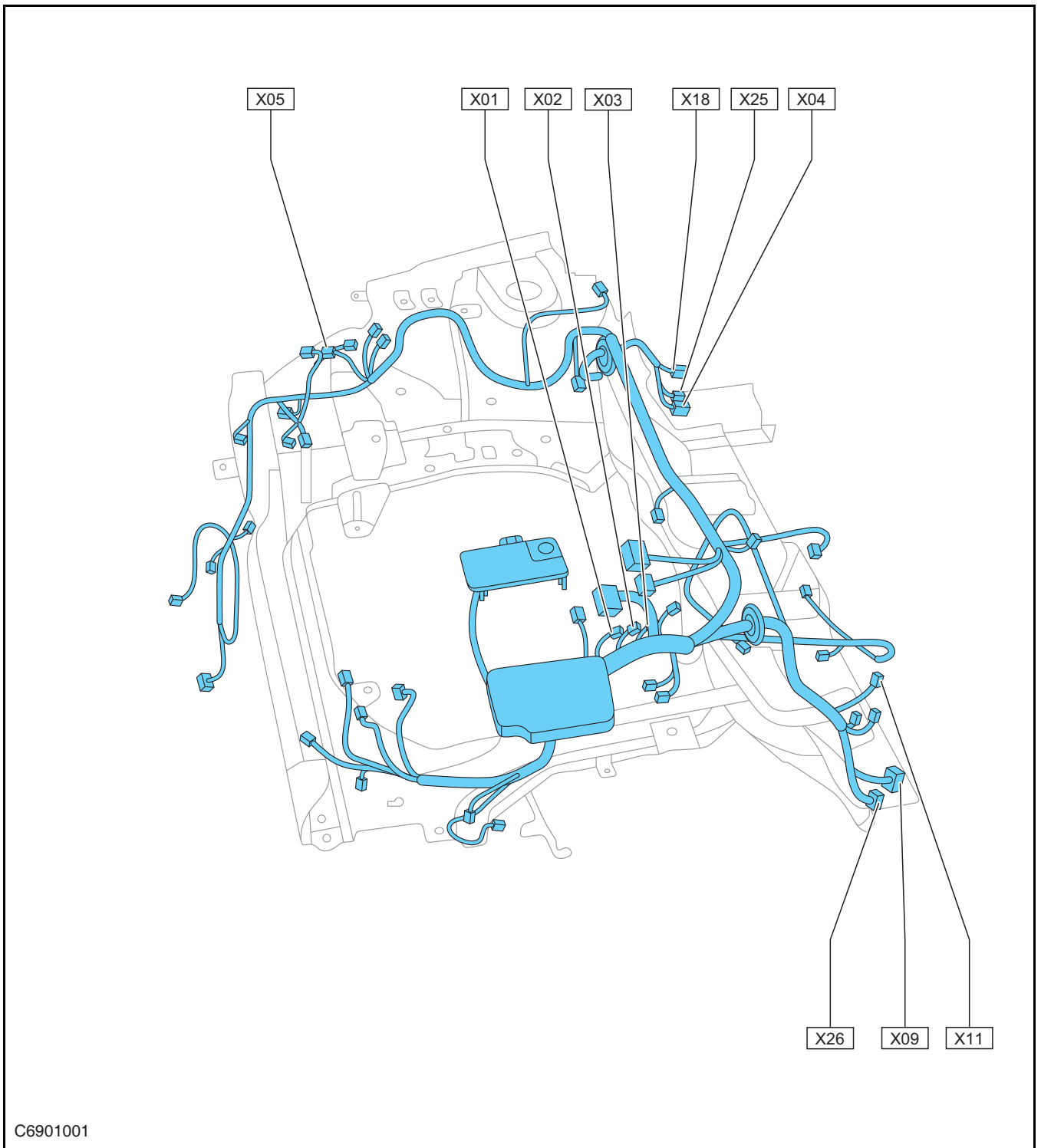
C6801010

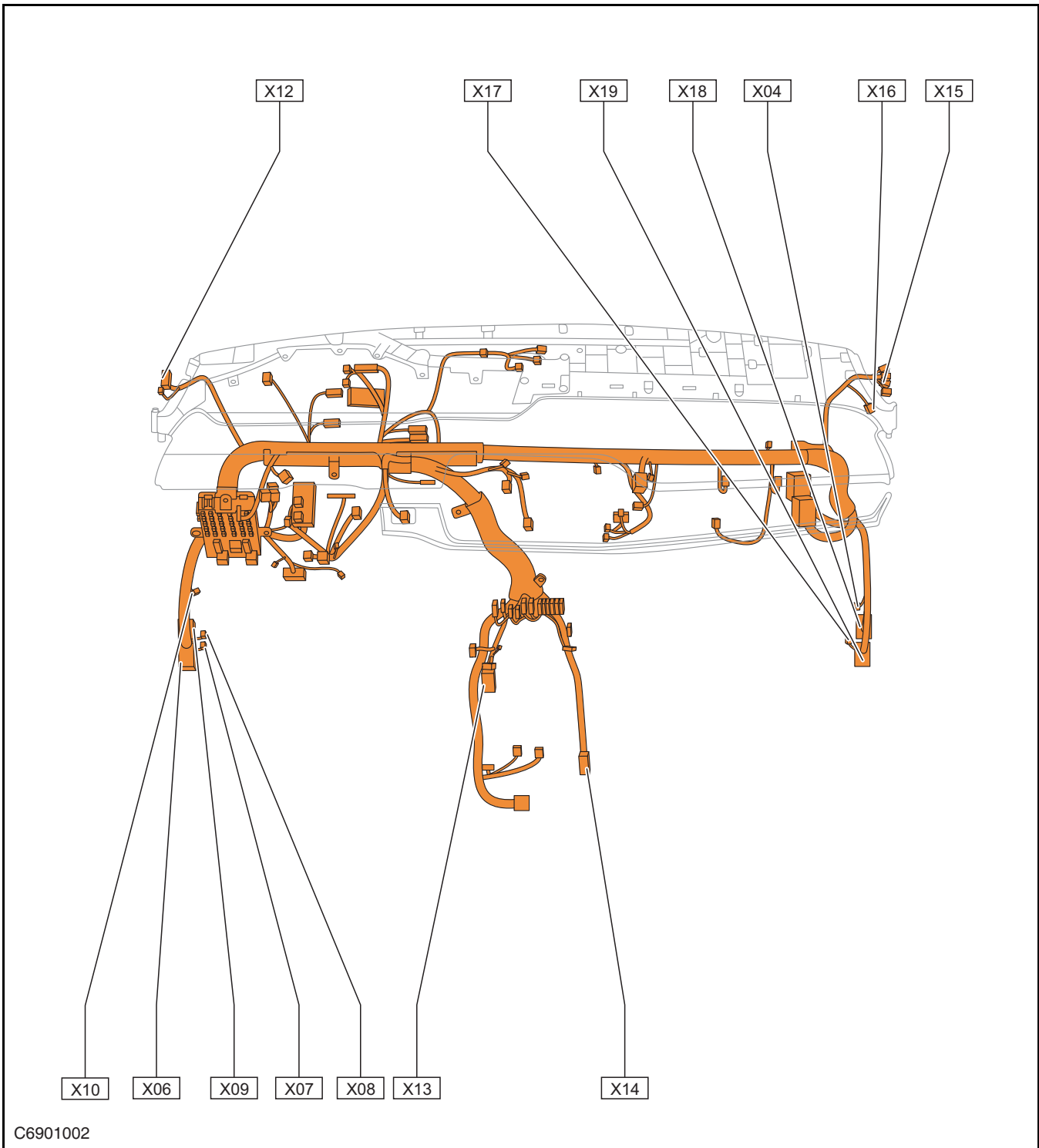
GD308 G1004 G1001

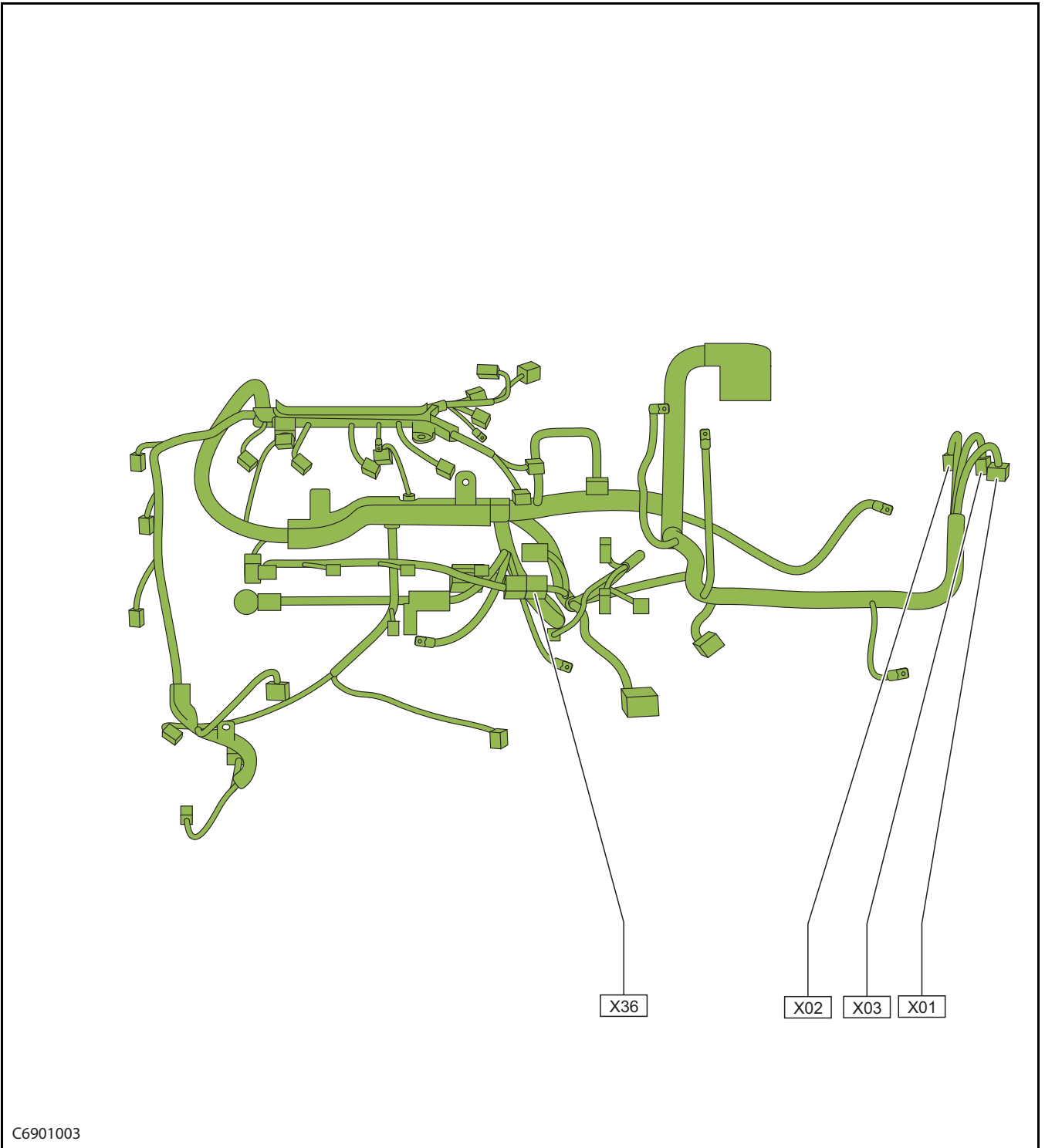


C6801011

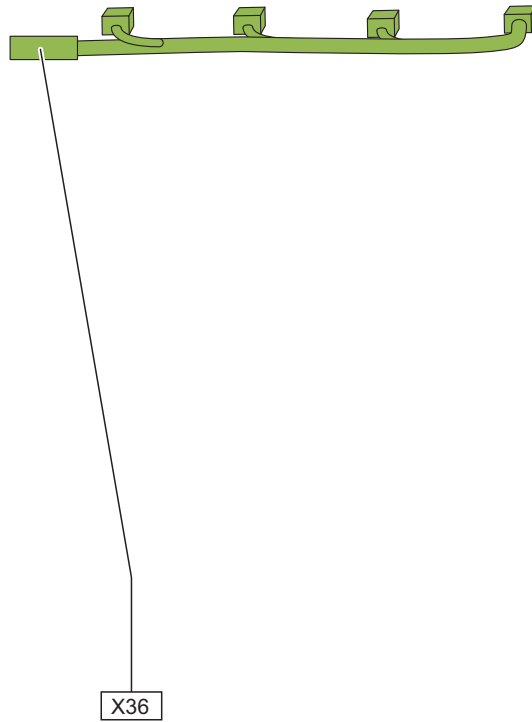
Wiring Harness to Wiring Harness (X--)



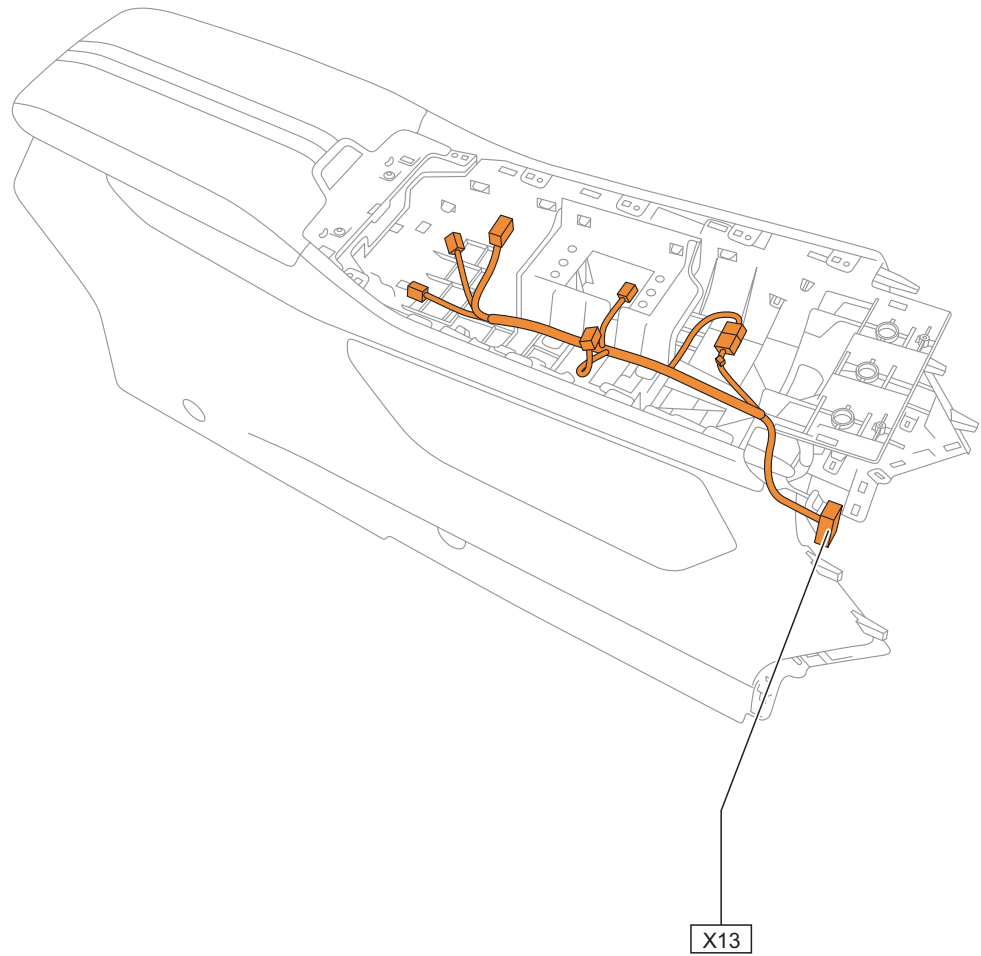




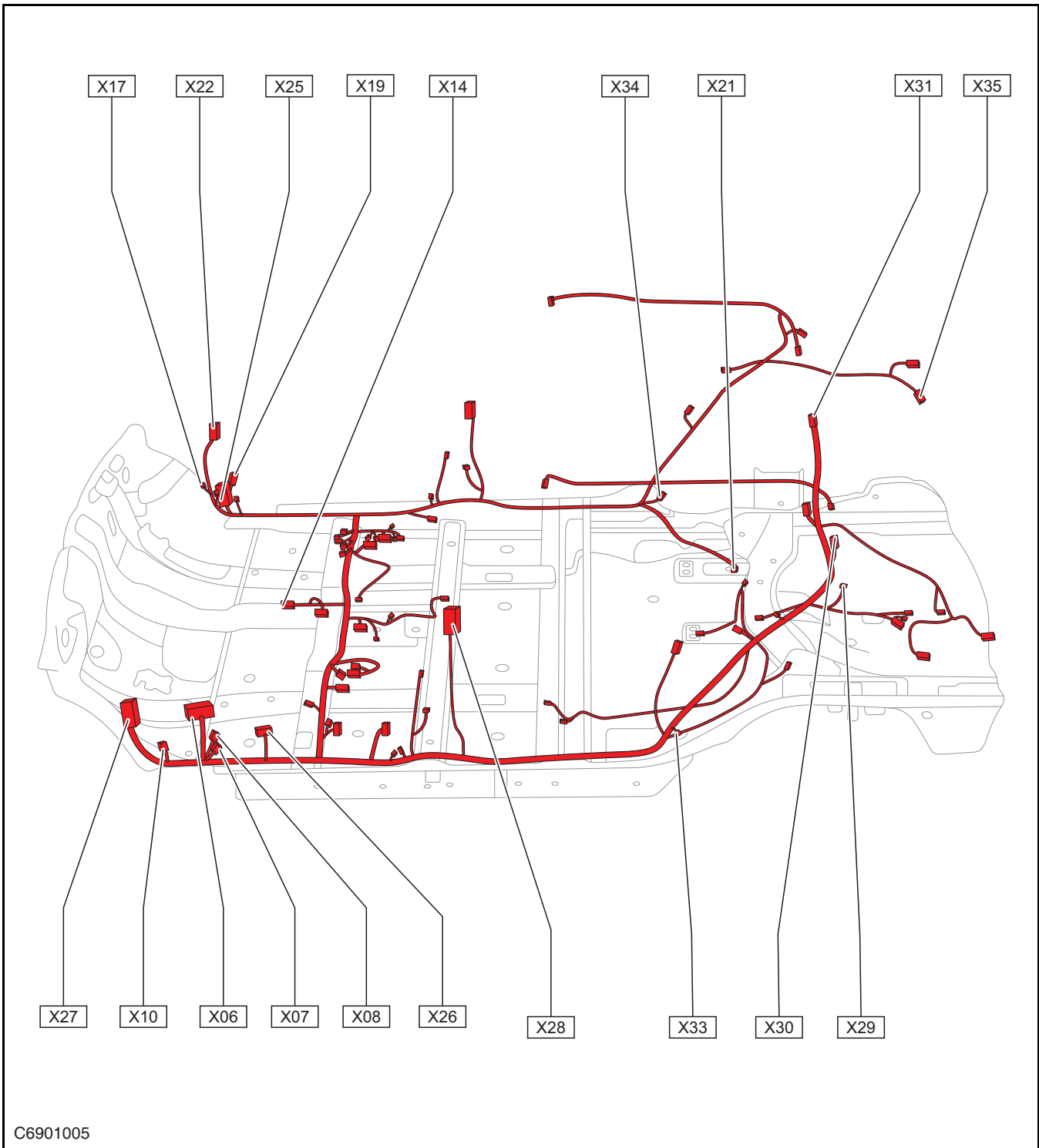
C6901003

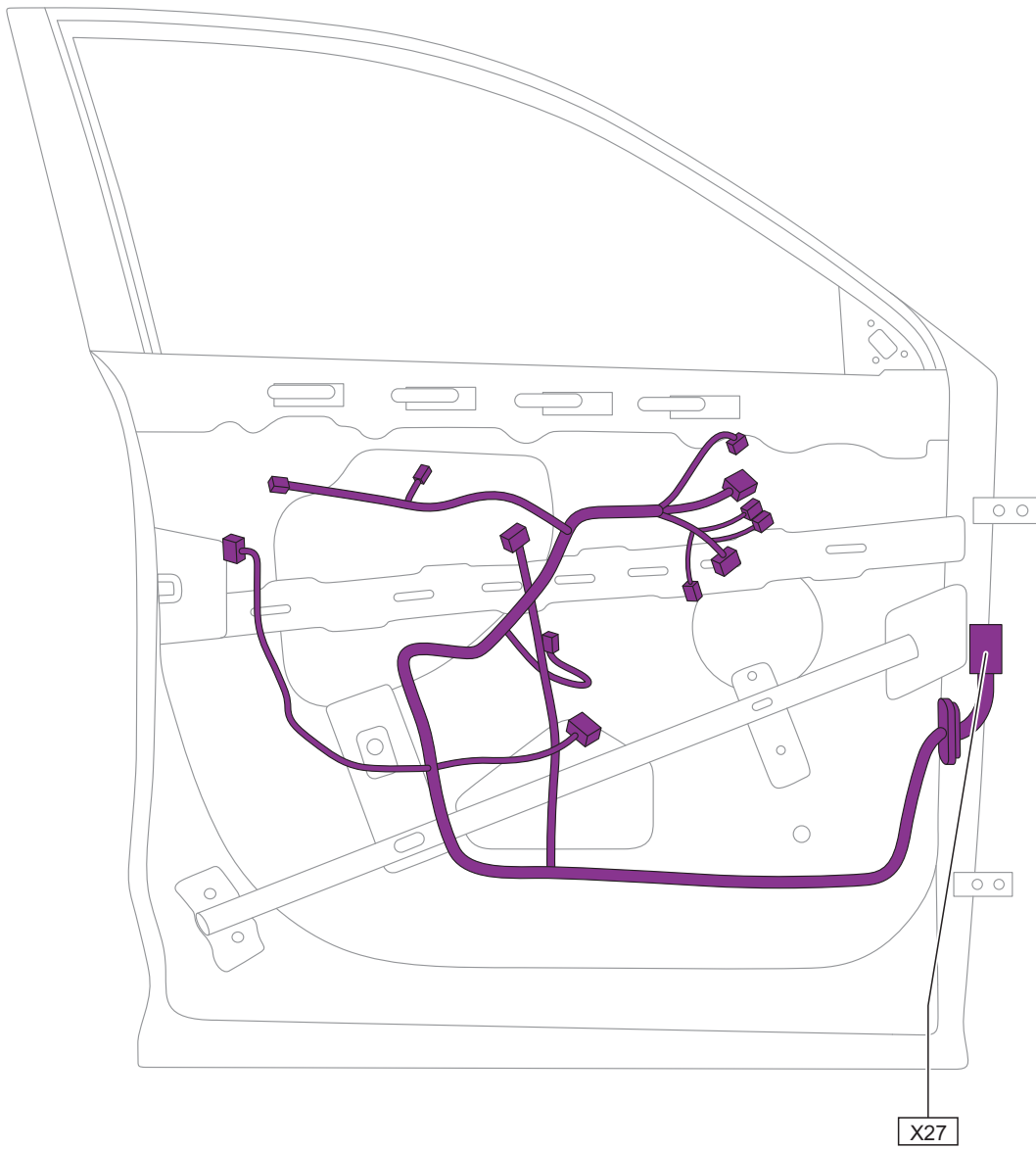


C6901016

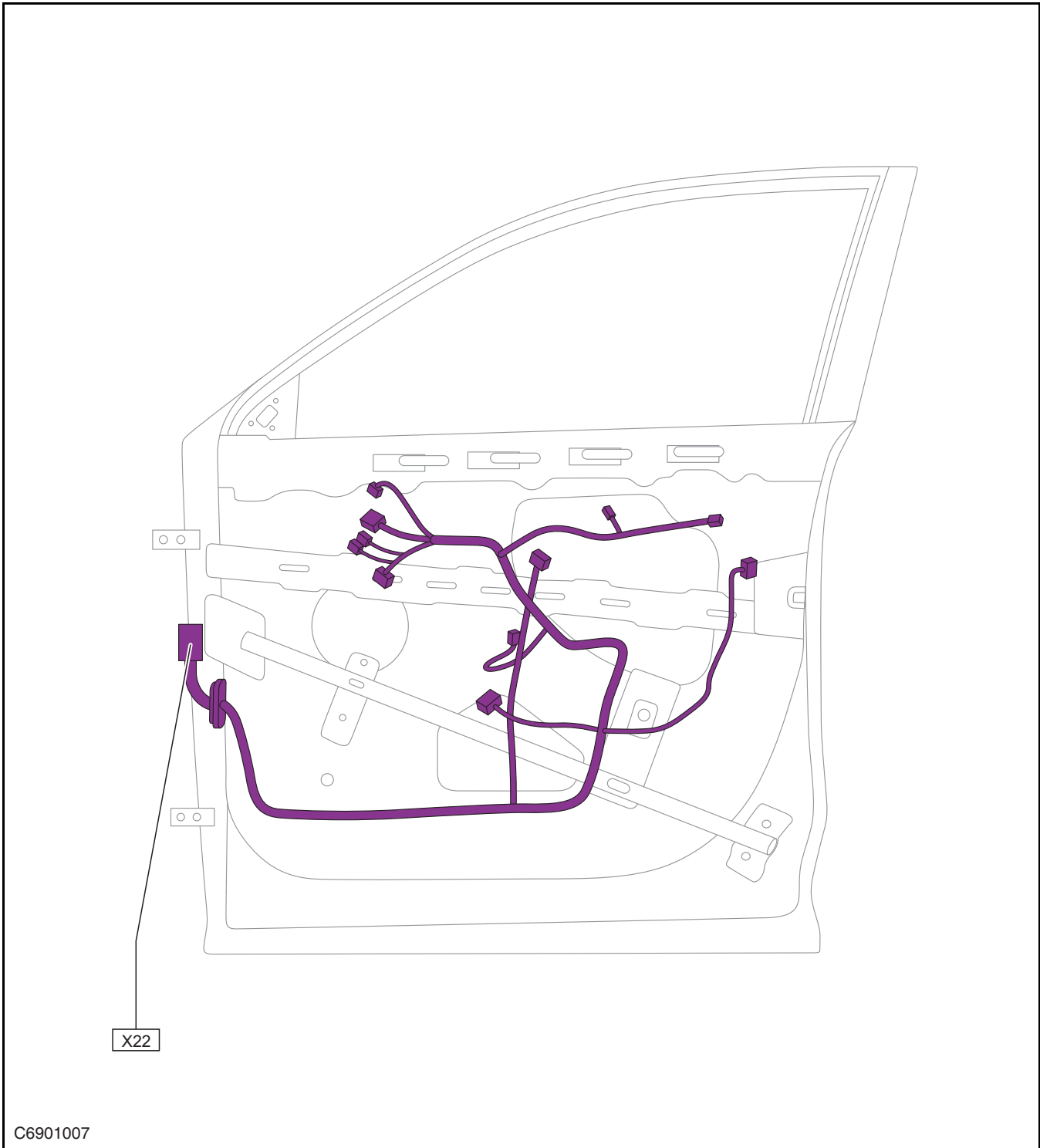


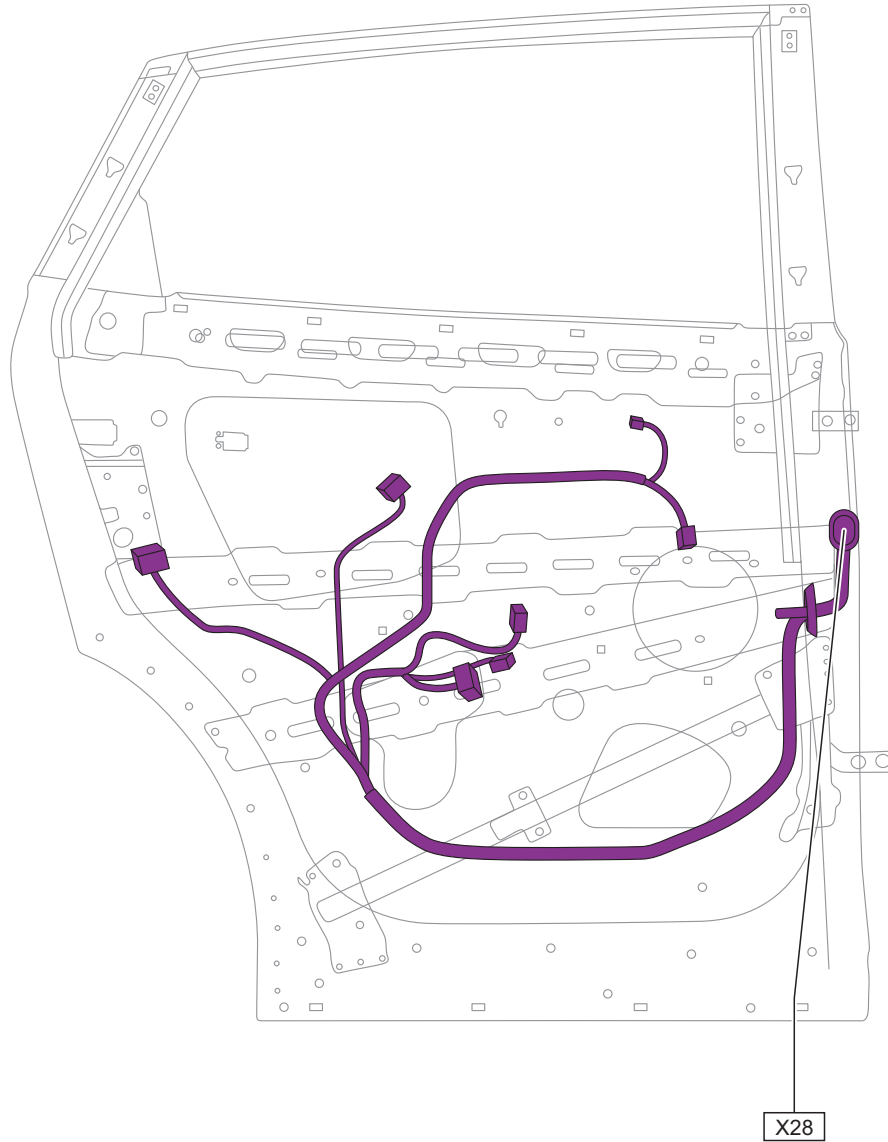
C6901004



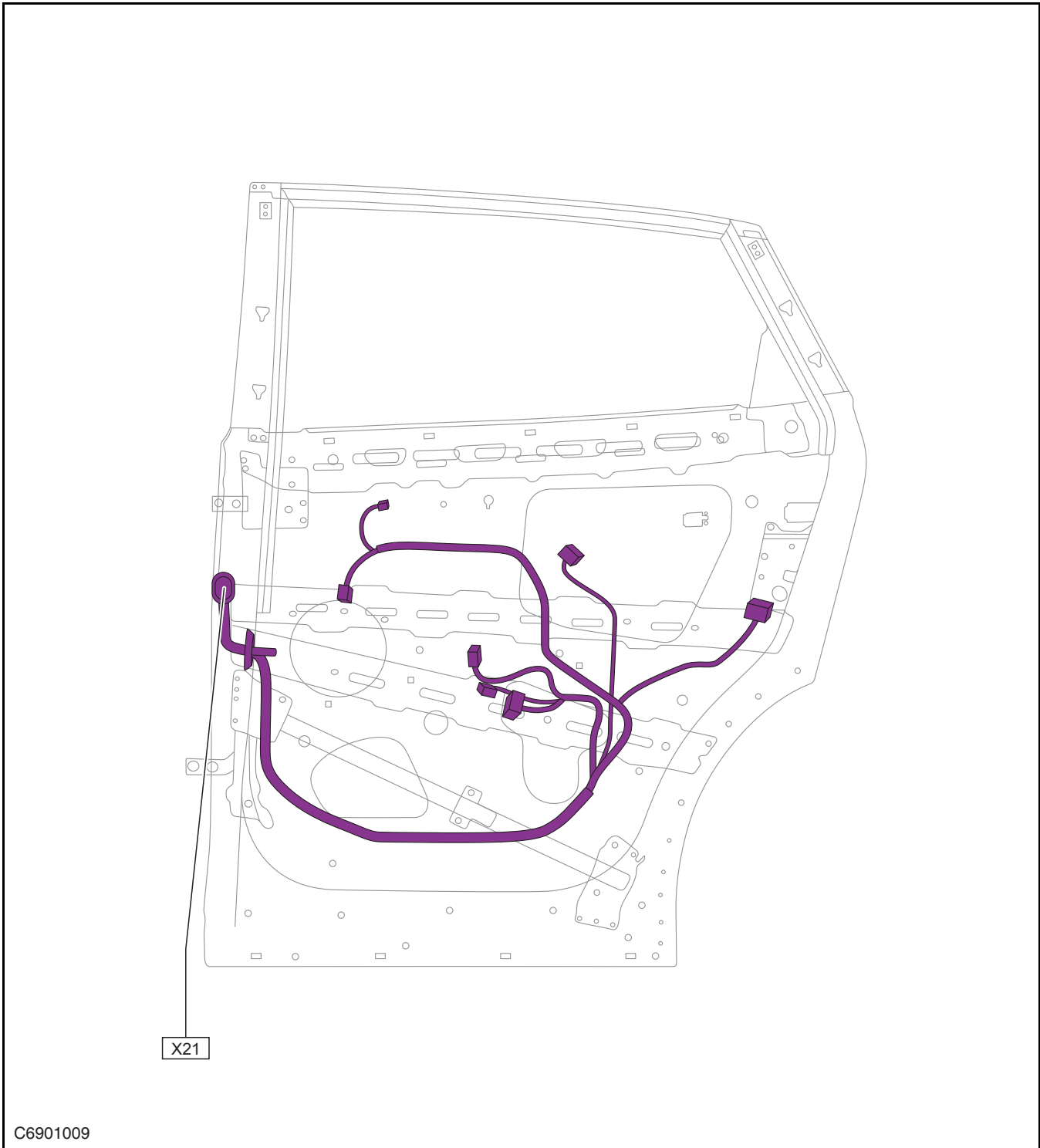


C6901006

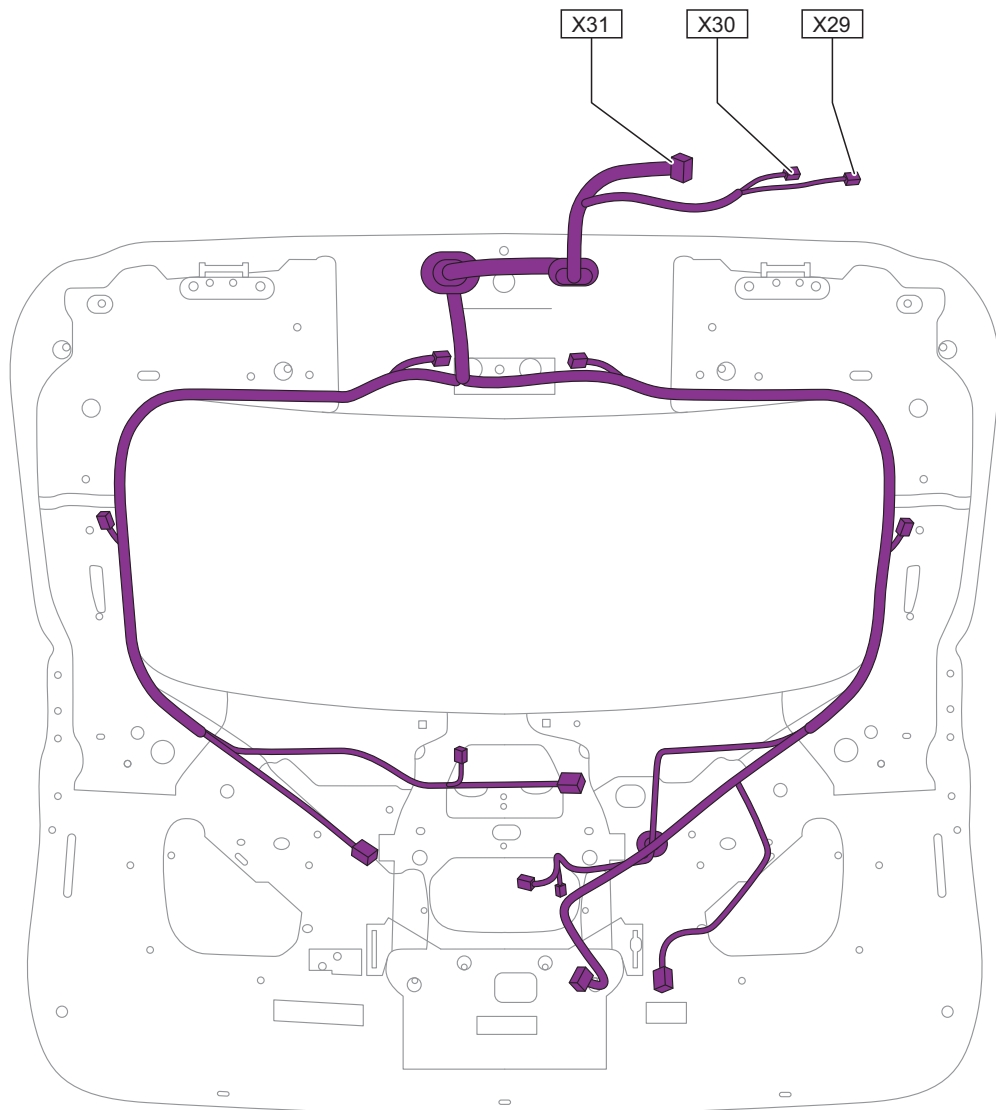




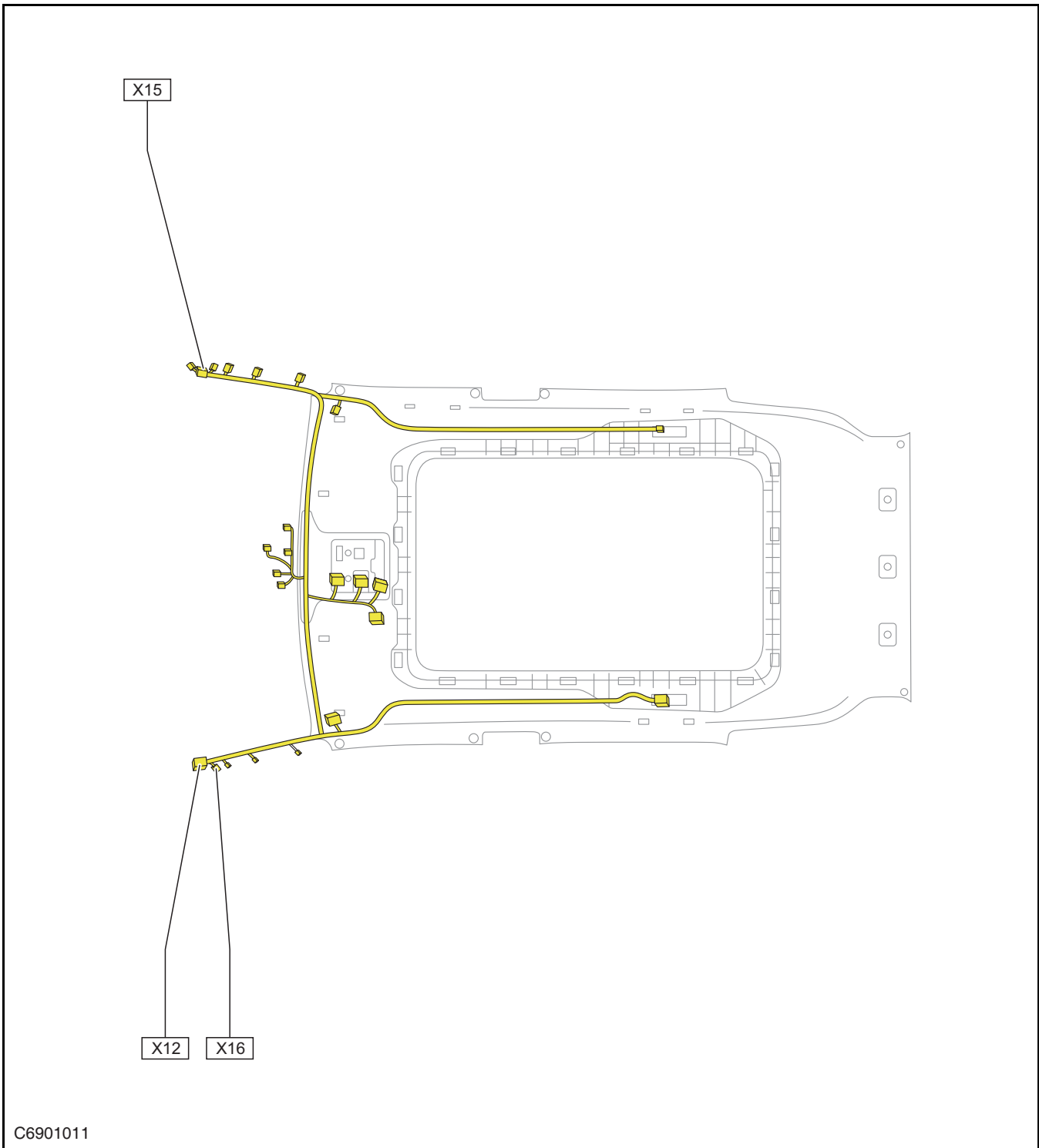
C6901008



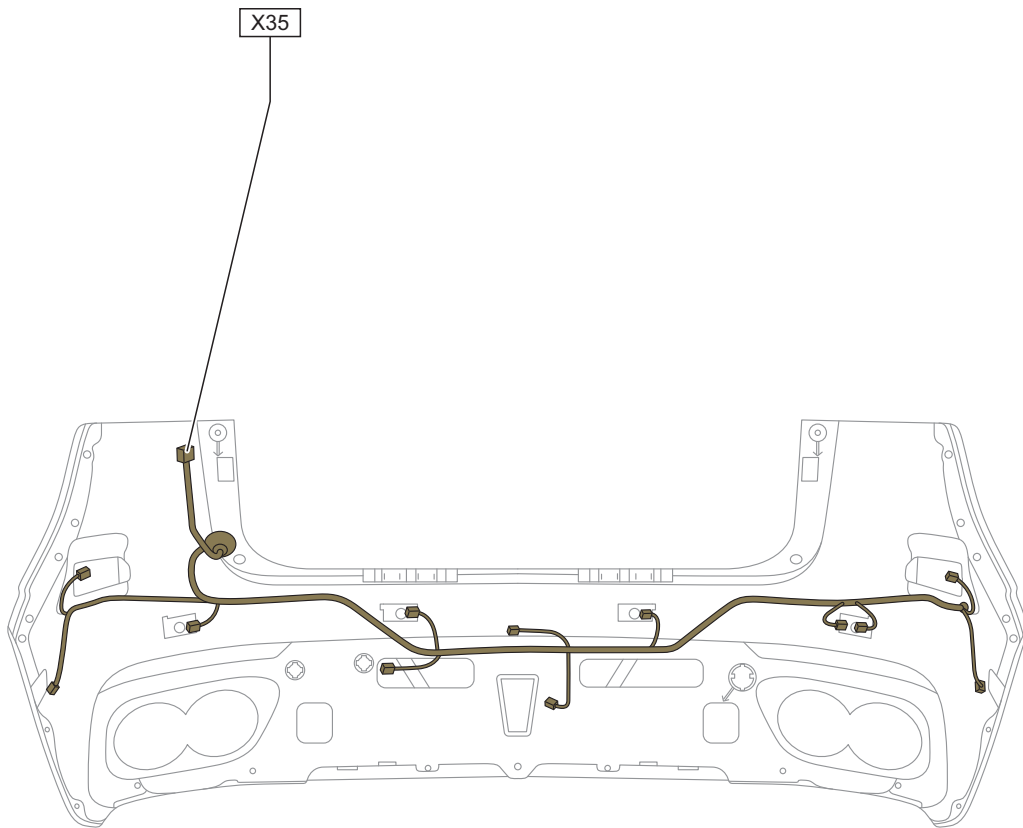
C6901009



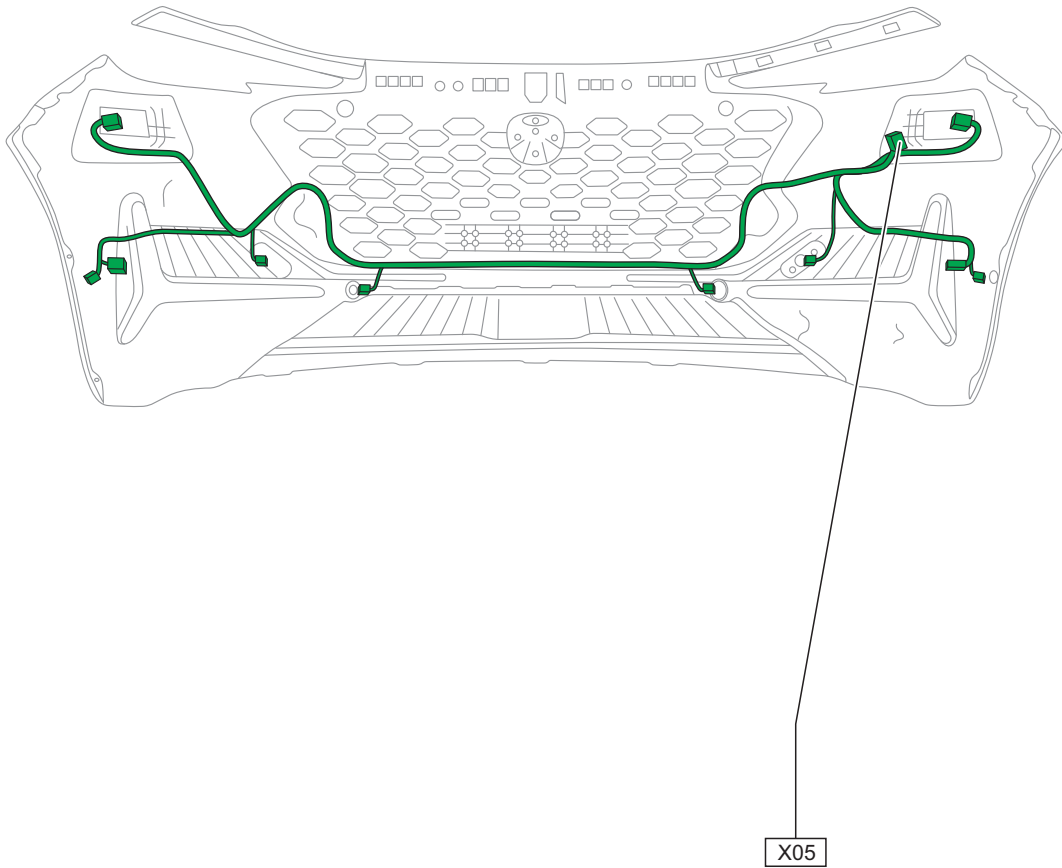
C6901010



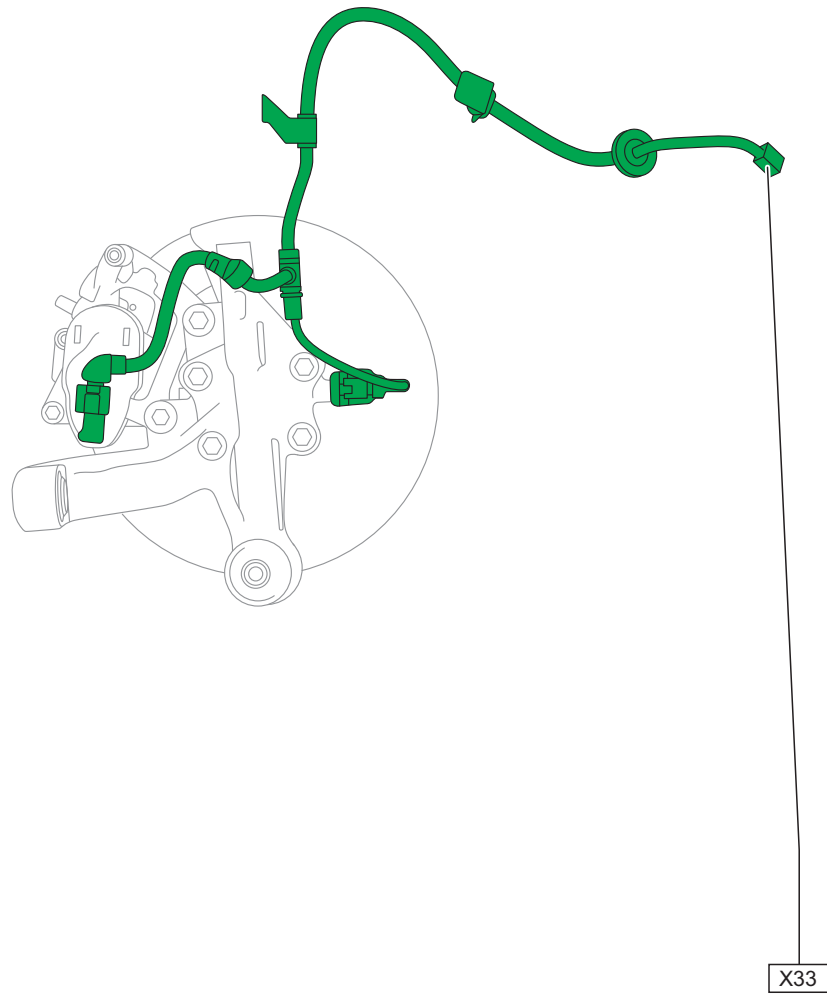
C6901011



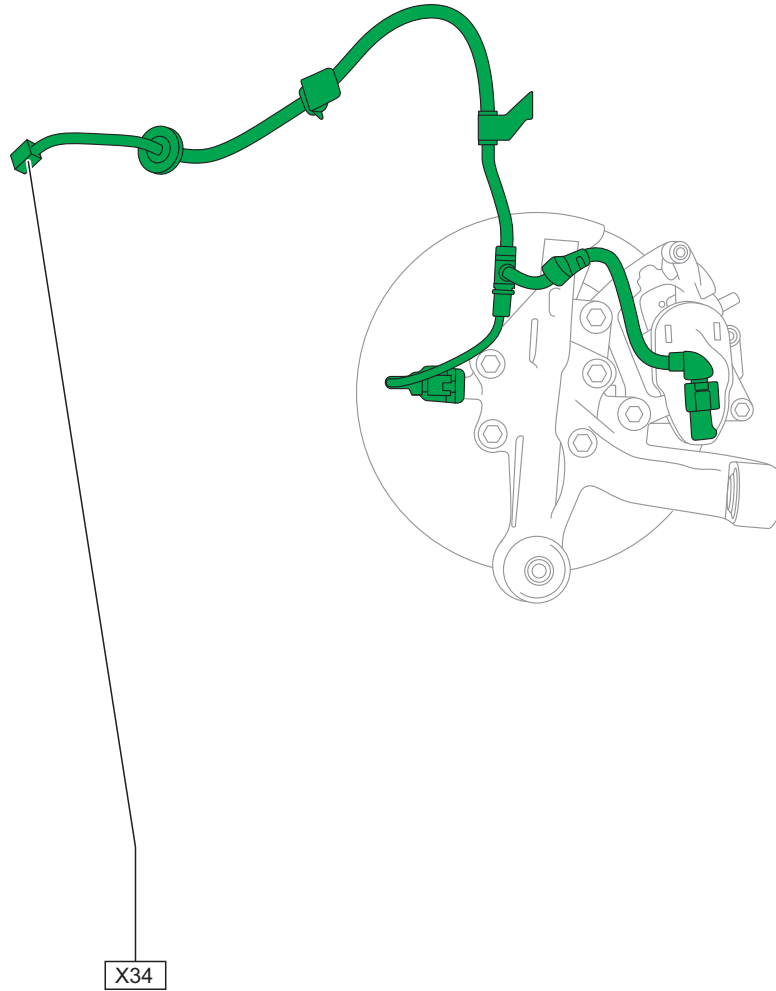
C6901012



C6901013



C6901014



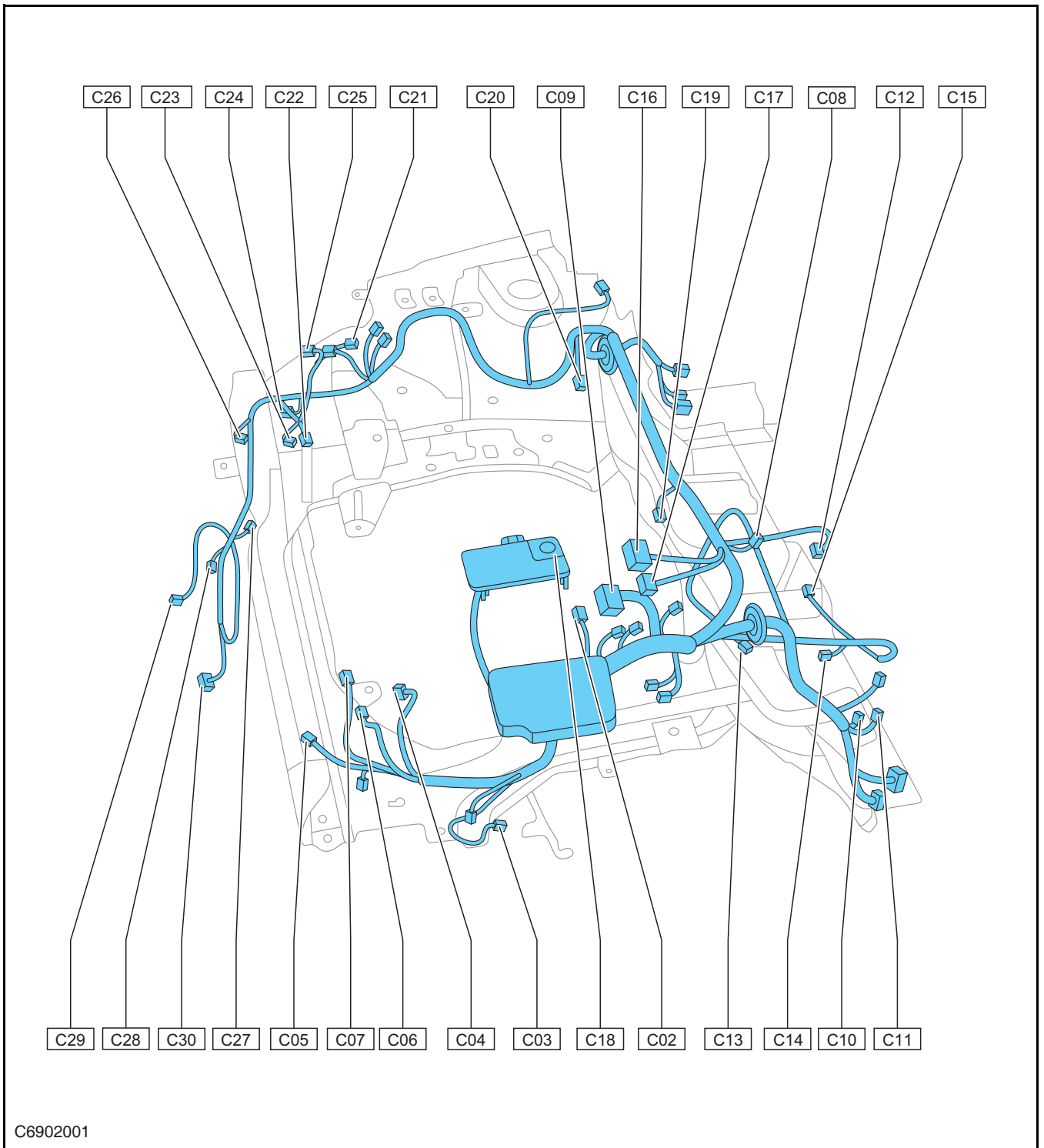
C6901015

Wiring Harness to Wiring Harness (X) Definition List

A Connector Name	B Connector Name	Definition
Engine Compartment to Engine 1	Engine 1 to Engine Compartment	X01
Engine Compartment to Engine 2	Engine 2 to Engine Compartment	X02
Engine Compartment to Engine 3	Engine 3 to Engine Compartment (D20T)	X03
Engine Compartment to Instrument Panel (Front Camera)	Instrument Panel to Engine Compartment (Front Camera)	X04
Engine Compartment to Front Bumper (1)	Front Bumper to Engine Compartment (1)	X05
Instrument Panel to Chassis (Left 1)	Chassis to Instrument Panel (Left 1)	X06
Instrument Cluster to Chassis (Streaming Camera)	Chassis to Instrument Cluster (Streaming Camera)	X07
Instrument Cluster to Chassis (Rear Camera)	Chassis to Instrument Cluster (Rear Camera)	X08
Instrument Cluster to Engine Compartment (Left 1)	Engine Compartment to Instrument Cluster (Left 1)	X09
Instrument Cluster to Chassis (Left Camera)	Chassis to Instrument Cluster (Left Camera)	X10
Instrument Cluster to Engine Compartment (Left 3)	Engine Compartment to Instrument Cluster (Left 3)	X11
Instrument Cluster to Roof (Left 1)	Roof to Instrument Cluster (Left 1)	X12
Instrument Cluster to Auxiliary Fascia Console	Auxiliary Fascia Console to Instrument Cluster	X13
Instrument Cluster to Chassis (Middle)	Chassis to Instrument Cluster (Middle)	X14
Instrument Cluster to Roof (Right)	Roof to Instrument Cluster (Right)	X15
Instrument Cluster to Roof GPS Feeder (Gray)	Roof GPS Feeder to Instrument Cluster (Gray)	X16
Instrument Cluster to Chassis Right Camera (Black)	Chassis Right Camera to Instrument Cluster (Black)	X17
Instrument Cluster to Engine Compartment (Right 1)	Engine Compartment to Instrument Cluster (Right 1)	X18
Instrument Cluster to Chassis (Right 1)	Chassis to Instrument Cluster (Right)	X19
Chassis to Right Rear Door	Right Rear Door to Chassis	X21
Chassis to Right Front Door	Right Front Door to Chassis	X22
Chassis to Engine Compartment (Right 1)	Engine Compartment to Chassis (Right 1)	X25
Chassis to Engine Compartment (Left 1)	Engine Compartment to Chassis (Left 1)	X26
Chassis to Left Front Door	Left Front Door to Chassis	X27
Chassis to Left Rear Door	Left Rear Door to Chassis	X28
Chassis to Back Door (Streaming Camera)	Back Door to Chassis (Streaming Camera)	X29
Chassis to Back Door (Rear Camera)	Back Door to Chassis (Rear Camera)	X30
Chassis to Back Door	Back Door to Chassis	X31
Chassis to EPB Left	EPB Left to Chassis	X33

A Connector Name	B Connector Name	Definition
Chassis to EPB Right	EPB Right to Chassis	X34
Chassis to Rear Bumper	Rear Bumper to Chassis	X35
Engine Wiring Harness to Fuel Injector Wiring Harness	Fuel Injector Wiring Harness to Engine Wiring Harness	X36

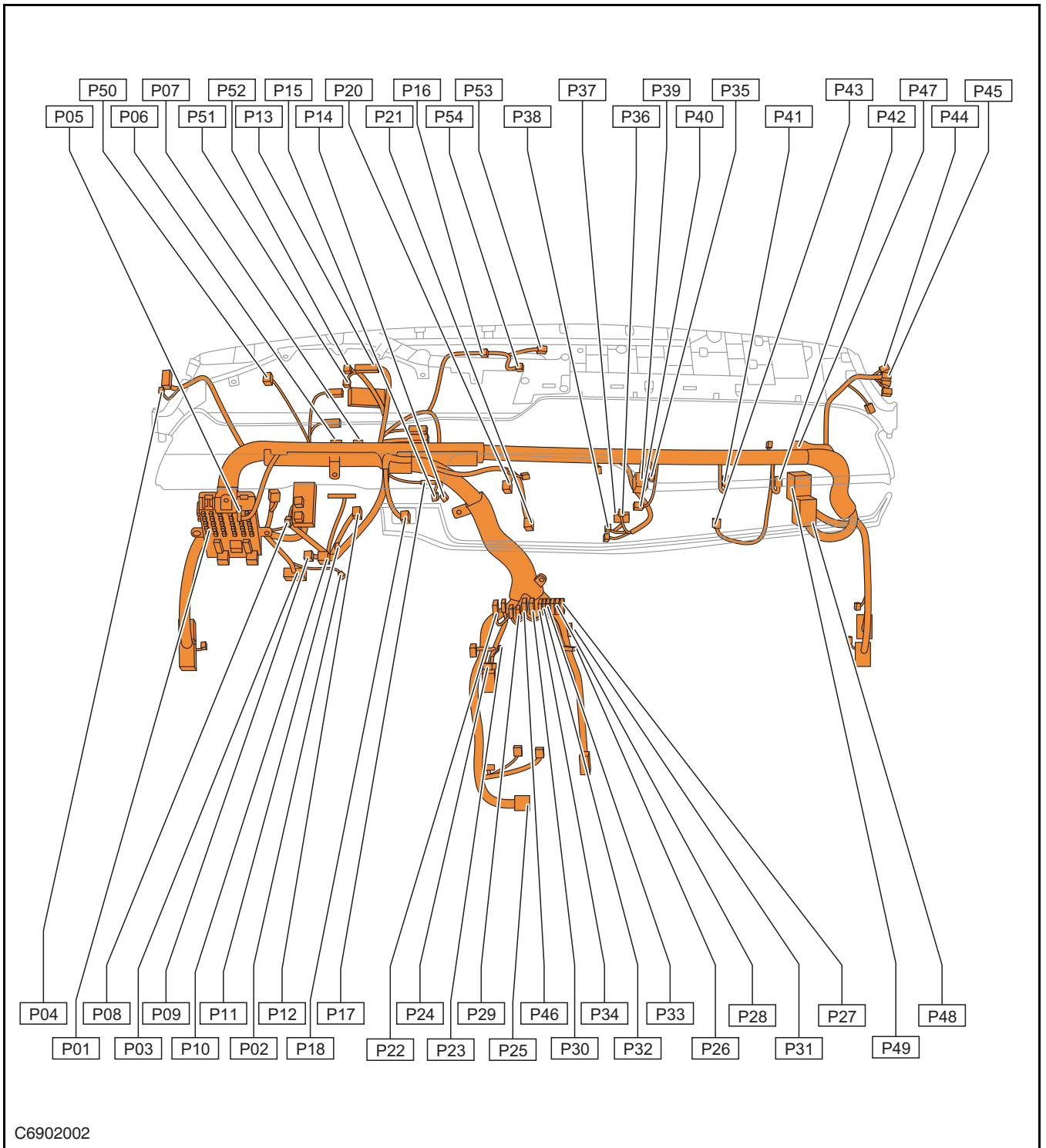
Engine Compartment Wiring Harness Connector (C--)

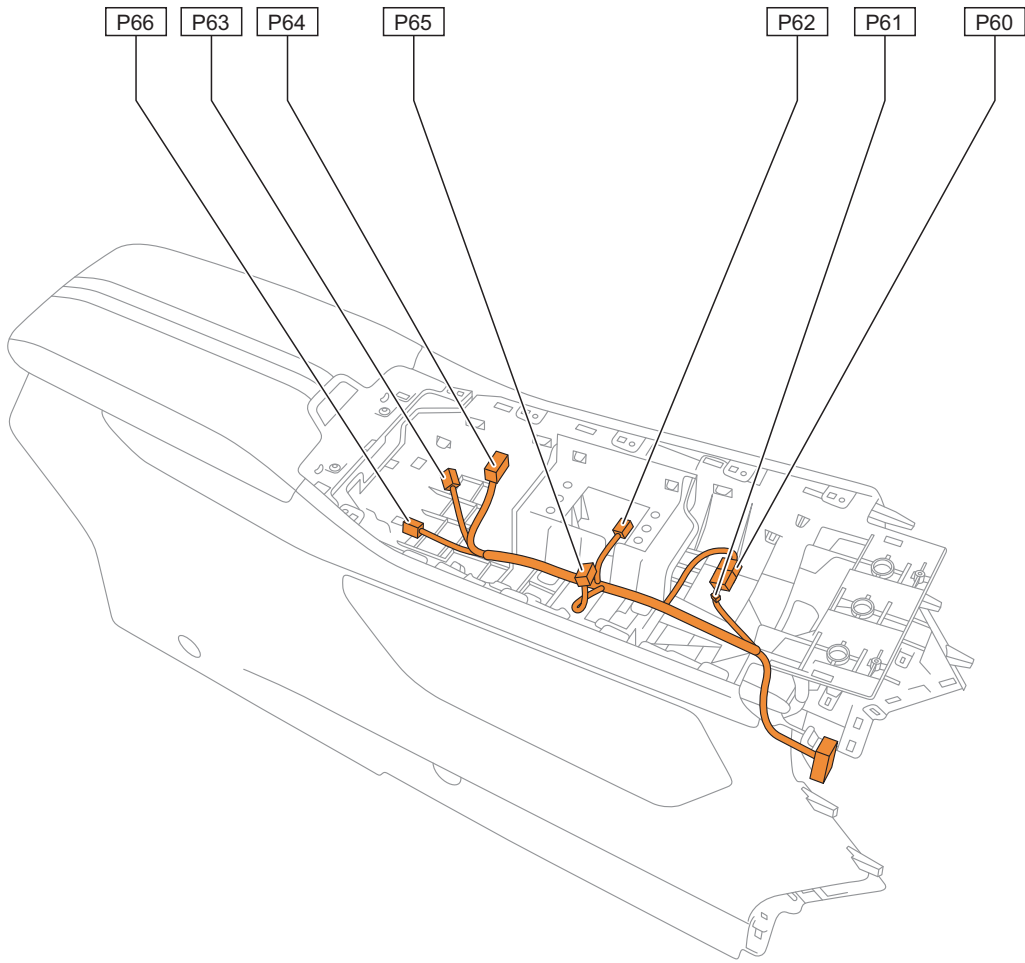


Engine Compartment Wiring Harness Connector (C) Definition List

Connector Name	Definition
Battery Sensor (D20)	C02
Left Front Wheel Speed Sensor	C03
Left Front Combination Lamp	C04
Electric Horn 1	C05
Left Front Collision Sensor	C06
Cooling Fan	C07
Front Wiper Motor	C08
ECU-B	C09
Electronic Shift Actuator Controller B	C10
Electronic Shift Actuator Controller A	C11
Brake Switch 2	C12
Accelerator Pedal Position Sensor	C13
GPF Temperature Sensor	C14
GPF Differential Pressure Sensor	C15
EPBI	C16
Brake Fluid Level Sensor	C17
Battery Positive - Engine Compartment Fuse Box Constant Power Supply	C18
Vacuum Pressure Sensor	C19
Refrigerant Pressure Sensor	C20
Right Front Wheel Speed Sensor	C21
Front Washer Motor	C22
Rear Washer Motor	C23
Right Front Collision Sensor	C24
Right Front Combination Lamp	C25
Electric Horn 2	C26
Coolant Pump	C27
Outside Temperature Sensor	C28
To Front Camera	C29
Self-adaptive Cruise	C30

Instrument Panel Wiring Harness Connector (P--)





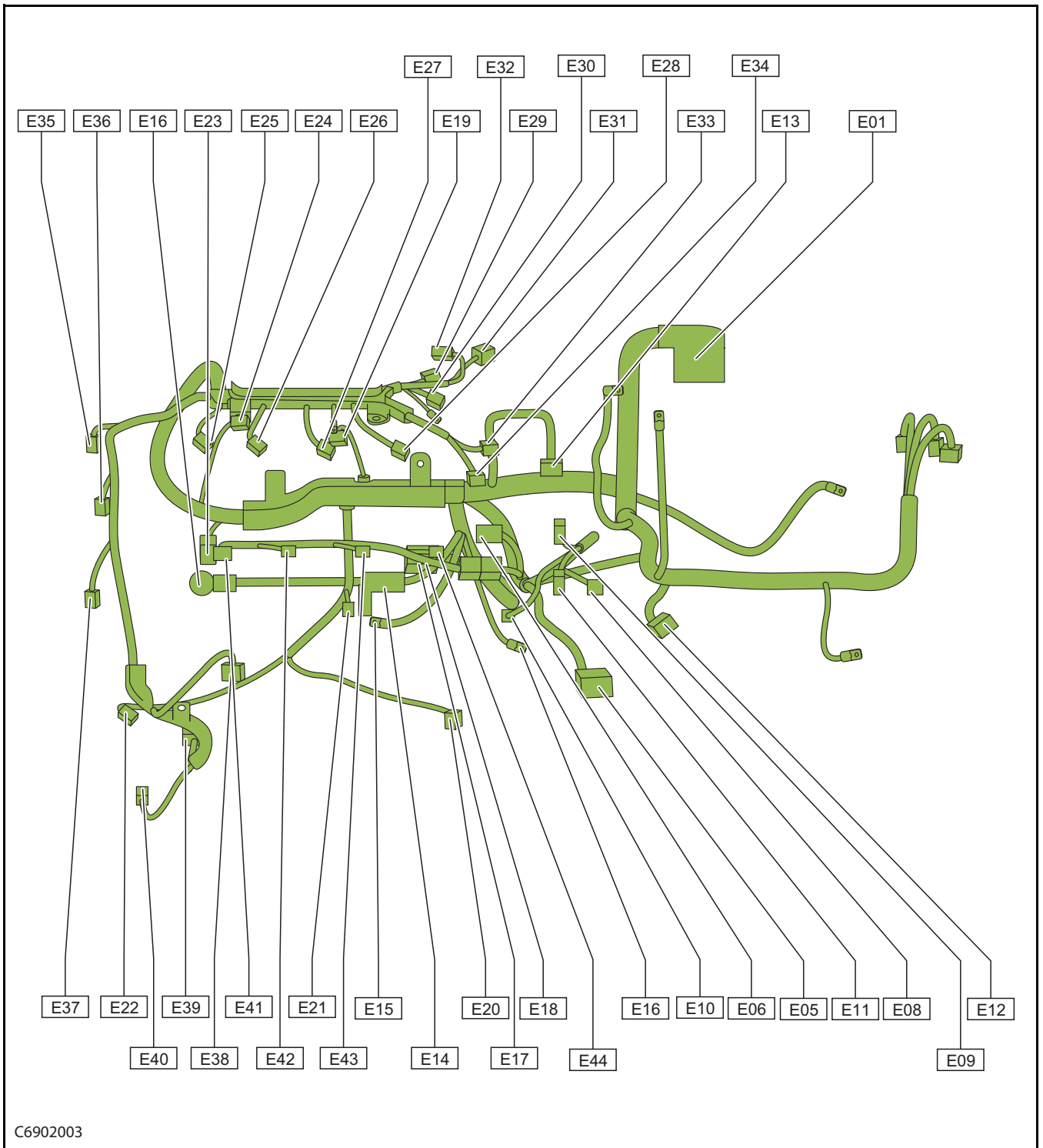
C6902004

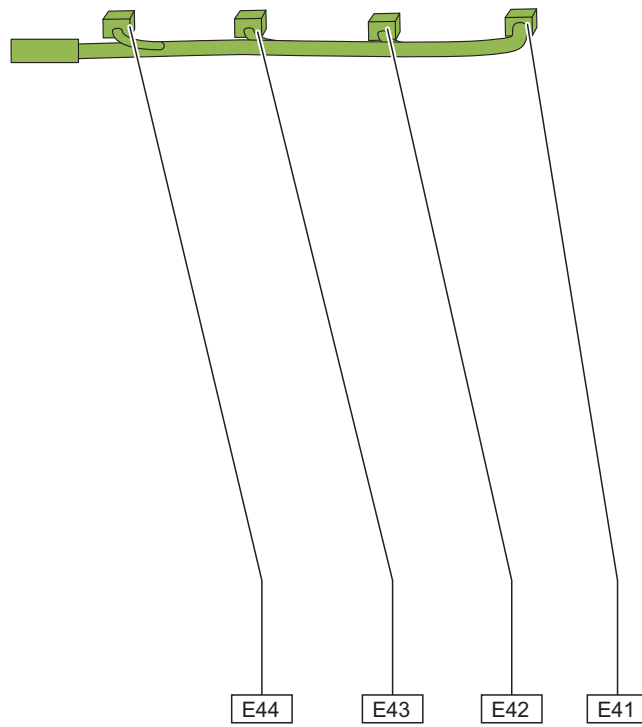
Instrument Panel Wiring Harness Connector (P) Definition List

Connector Name	Definition
Instrument Panel Fuse Box	P01
SOS Speaker	P02
Data Link Connector	P03
Speaker 2 (Left Front Door)	P04
Instrument Panel Switch Box	P05
Instrument Cluster CAN Short Circuiter 2	P06
Instrument Cluster CAN Short Circuiter 1	P07
Combination Lamp Switch	P08
Rotary Connector (Multi-functional Switch, High-configuration)	P09
Rotary Connector (Driver Airbag, High-configuration)	P10
Combination Switch - Wiper	P11
Rotation Angle Sensor	P12
Instrument Cluster Head Unit Controller	P13
Atmosphere Lamp - Instrument Cluster Left	P14
Center Speaker	P15
TBOX	P16
Gateway	P17
ENGINE START STOP Switch	P18
Central Control Display	P19
Front Display	P20
Emergency Alarm Switch	P21
Drive Recorder	P22
Data Reading	P23
Power Outlet	P24
Airbag Control Unit A	P25
Front USB2 (Fast Charging)	P26
Entertainment and Audio Head Unit - A Black	P27
Entertainment and Audio Head Unit - B Gray	P28
Head Unit to Instrument Cluster Screen (Purple)	P29
Head Unit to Panoramic Four-Way Coaxial (Black)	P30
Head Unit to Front Display (White)	P31
USB for User (Brown)	P32
USB for Instrument Cluster (Black)	P33
USB for Drive Recorder (Green)	P34
Front A/C Mode Servo Motor	P35
Front A/C Passenger Side Air Mix Servo Motor	P36
Front A/C Speed Regulation Module	P37

Connector Name	Definition
Front A/C Evaporator Surface Temperature Sensor	P38
Automatic A/C Controller 2	P39
Automatic A/C Controller 1	P40
Front Passenger Airbag	P41
Front A/C Inner and Outer Recirculation Servo Motor	P42
Front A/C Blower	P43
Atmosphere Lamp - Instrument Cluster Right	P44
Speaker 2 (Right Front Door)	P45
Head Unit to GPS Feeder (Gray)	P46
IBCM-J2	P47
IBCM-J7	P48
IBCM-J1	P49
To Instrument Cluster Display USB	P50
To Instrument Cluster Display LVDS (Purple)	P51
To Instrument Cluster Display Streaming Camera (Blue)	P52
Front A/C Driver Side Air Mix Servo Motor	P53
Room Temperature Sensor	P54
Wireless Charging	P60
Electronic Shift Control Assembly	P61
Atmosphere Light - Central Box 1	P62
AUTOHOLD and EPB Switch	P63
Central Box Switch Box a	P64
Central Box Switch Box b Russia (LV3, LV4), G.C.C. (L3, L4, L4.3, L4.5-ECALL, L3.1, L4.1, L4.4, L3.2, L4.2)	P65
Front Antenna	P66

Engine Wiring Harness Connector (E--)





C6901016

Engine Wiring Harness Connector (E) Definition List

Connector Name	Definition
ECU-A	E01
Electronic Shift Actuator	E05
Fuel Rail Pressure Sensor	E06
Electronic Thermostat	E08
Linear Oxygen Sensor	E09
Coolant Temperature Sensor	E10
Switch Oxygen Sensor	E11
TCU	E12
Electronic Throttle Valve	E13
Starting Motor	E14
Starting Motor Clutch	E15
Alternator 1	E16
EPS Signal	E17
EPS Power Supply	E18
Boost Pressure/Temperature Sensor	E19
Knock Sensor	E20
Variable Displacement Oil Pump	E21
Crankshaft Position Sensor	E22
Alternator 2	E23
Desorption Pressure Sensor	E24
Ignition Coil -1	E25
Ignition Coil -2	E26
Ignition Coil -3	E27
Ignition Coil -4	E28
High Pressure Oil Pump	E29
Boost Pressure/Temperature Sensor Intercooling	E30
Air Intake Pressure Discharge Valve	E31
Carbon Canister Control Valve	E32
Exhaust Camshaft Sensor	E33
Intake Camshaft Sensor	E34
Intake OCV	E35
Exhaust OCV	E36
Electric Wiring Harness Conduit	E37
Exhaust Bypass Actuator	E38
Compressor Clutch	E39
Oil Pressure Alarm Assembly	E40
Fuel Injector 1	E41

Connector Name	Definition
Fuel Injector 2	E42
Fuel Injector 3	E43
Fuel Injector 4	E44

Chassis Wiring Harness Connector (S--)

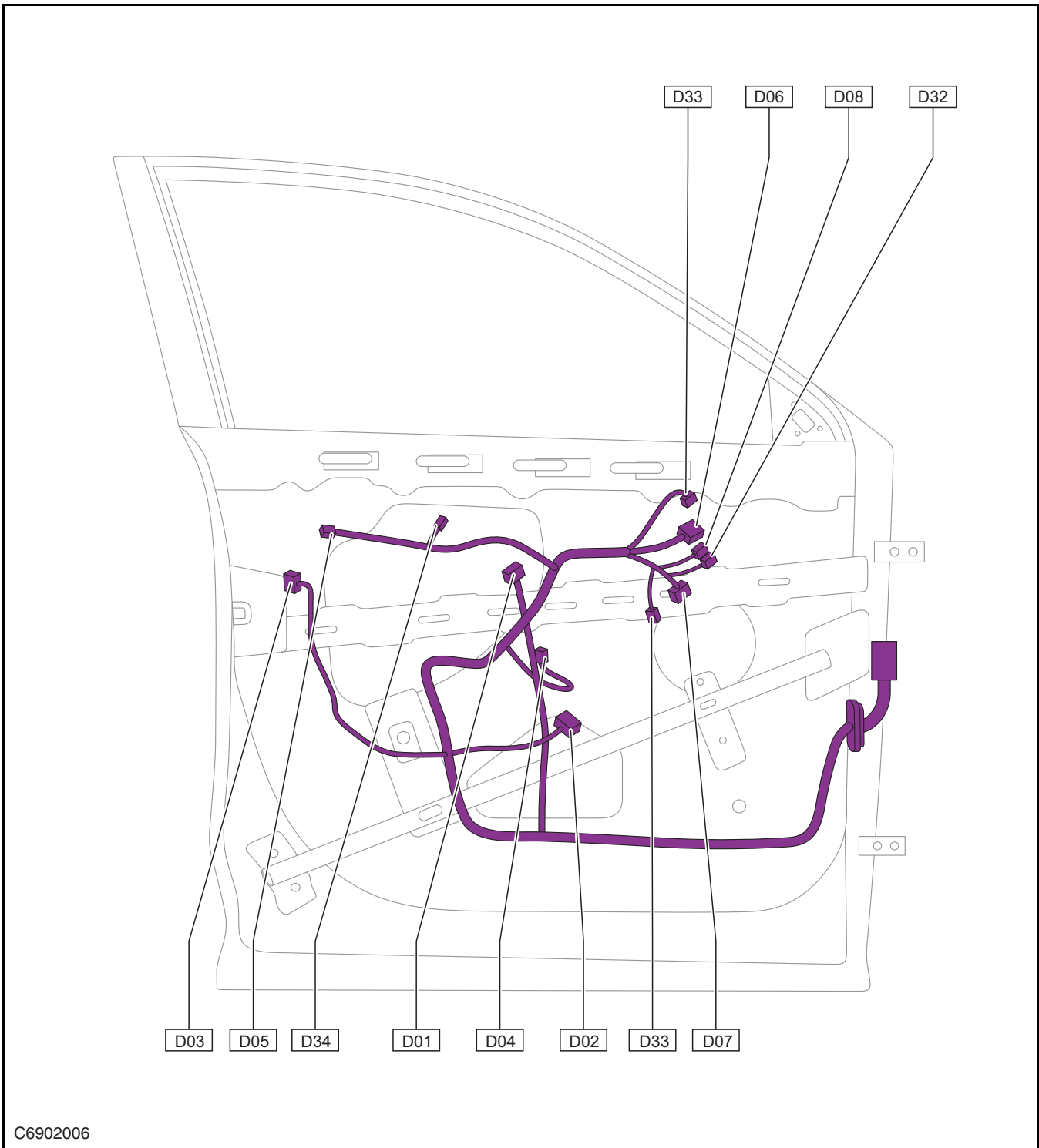


Chassis Wiring Harness Connector (S) Definition List

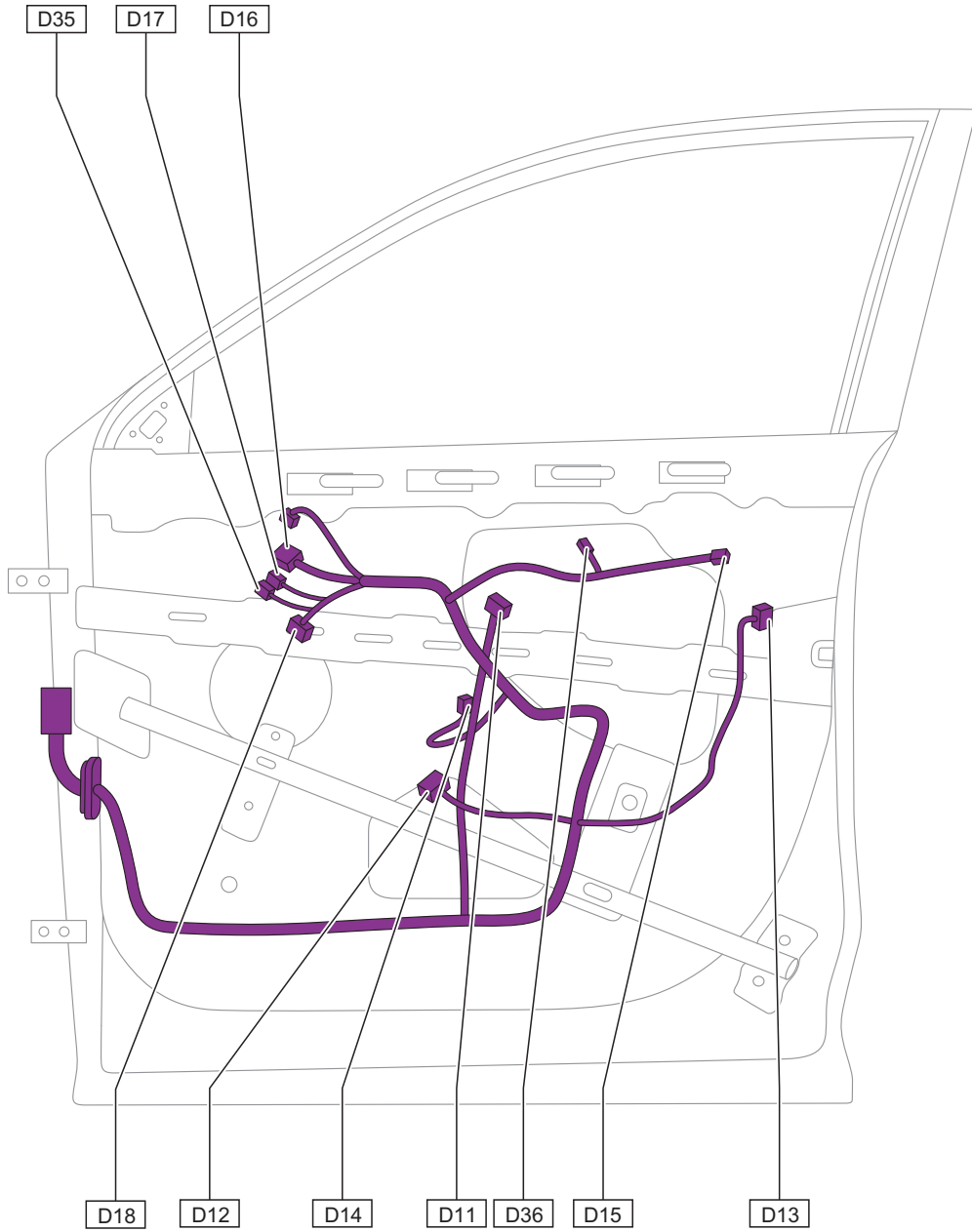
Connector Name	Definition
Airbag Control Unit B	S01
Front Passenger Seat Sensor	S02
Front Passenger Side Airbag	S03
Front Passenger Seat Heating Controller	S04
Front Passenger Seat Belt Switch	S05
Reversing Radar Controller	S06
2nd Row USB1	S07
Rear Seat Heater Switch	S08
Driver Seat Belt Switch	S09
Driver Side Airbag	S10
Headrest Speaker	S11
Driver Seat Heating Controller (Medium-configuration)	S12
Seat Memory Controller (High-configuration)	S13
External Power Amplifier A (High-configuration)	S14
External Power Amplifier B (High-configuration)	S15
Driver Side Collision Sensor	S16
4WD Controller (High-configuration)	S17
Left Front Door Contact Switch	S18
Fuel Pump (D20T)	S19
4WD Torque Sensor	S20
Fuel Tank Pressure Sensor (D20T)	S21
Carbon Canister Stop Valve	S22
Middle Antenna	S23
Left Rear Door Contact Switch	S25
Back Door Controller 2	S26
Back Door Controller 1	S27
Luggage Compartment Lamp	S28
Electric Stay Bar - Left	S29
Subwoofer	S30
Fuel Tank Cap Motor	S31
A Tail Lamp - Left	S32
Left Curtain Shield Airbag	S33
Left Rear Surround Speaker	S34
A Tail Lamp - Right	S35
Right Rear Surround Speaker	S36
Radio Frequency Receiver	S37
Right Curtain Shield Airbag	S38

Connector Name	Definition
Right Rear Door Contact Switch	S39
Rear Seat Heating Controller (Russia)	S40
Right Front Door Contact Switch	S42
Front Passenger Side Collision Sensor	S43

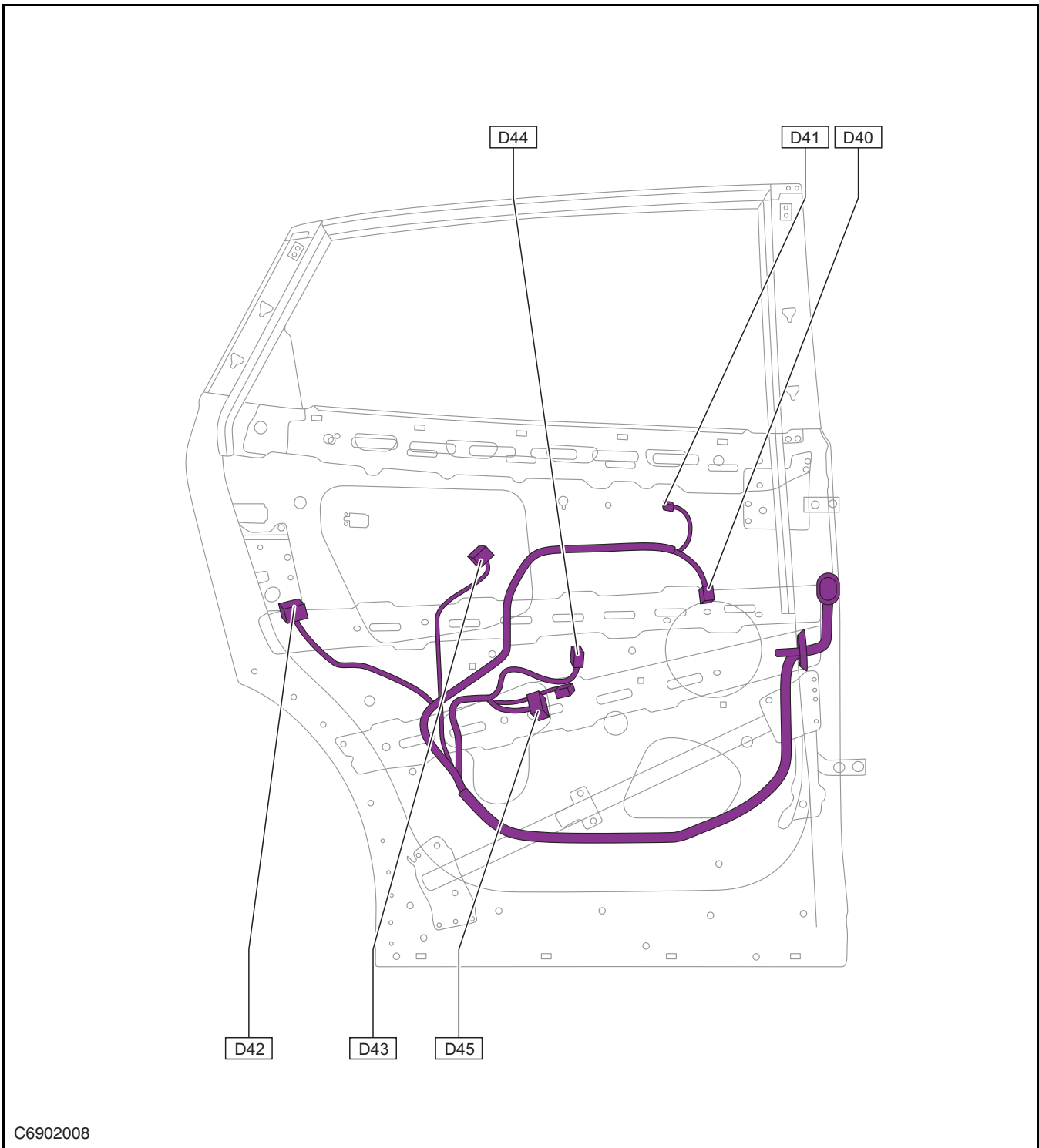
Door Wiring Harness Connector (D--)

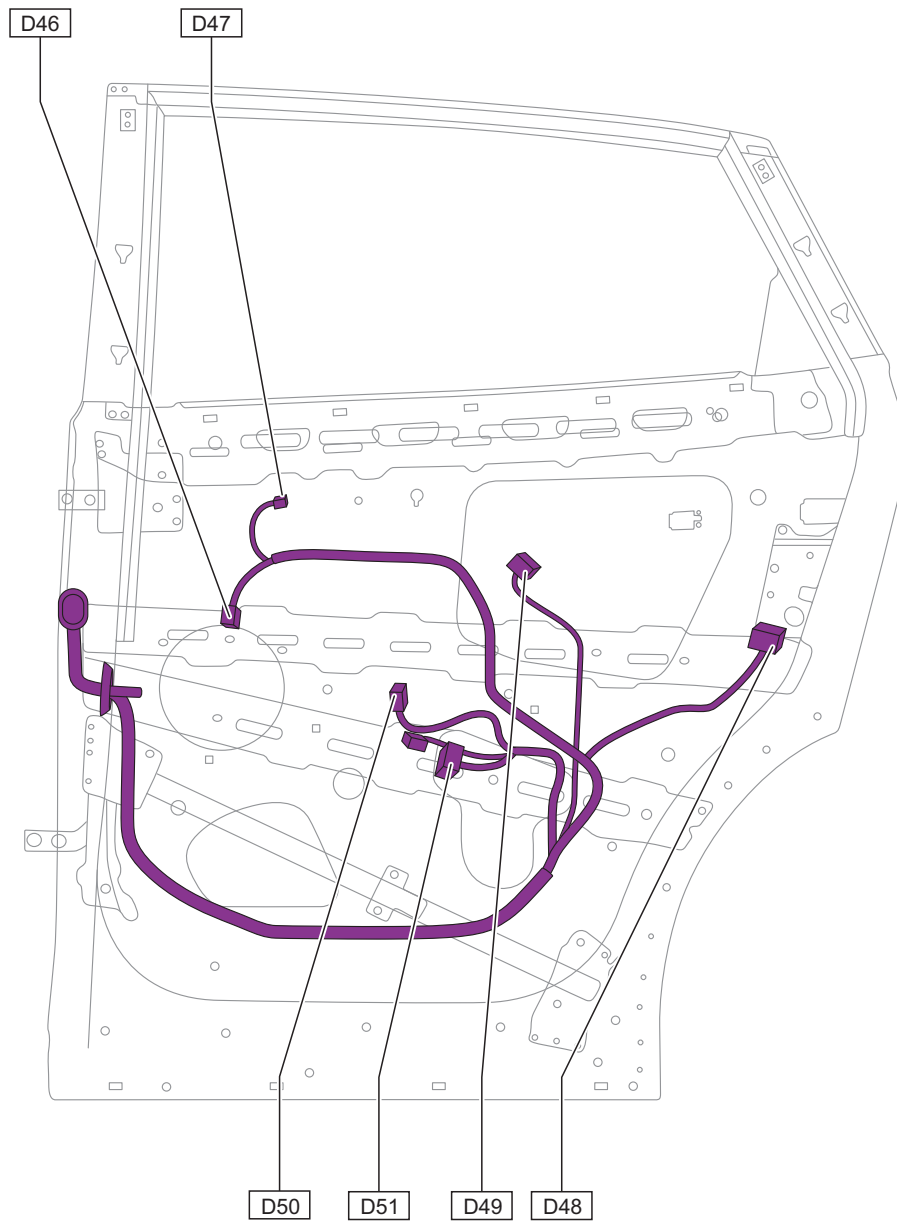


C6902006

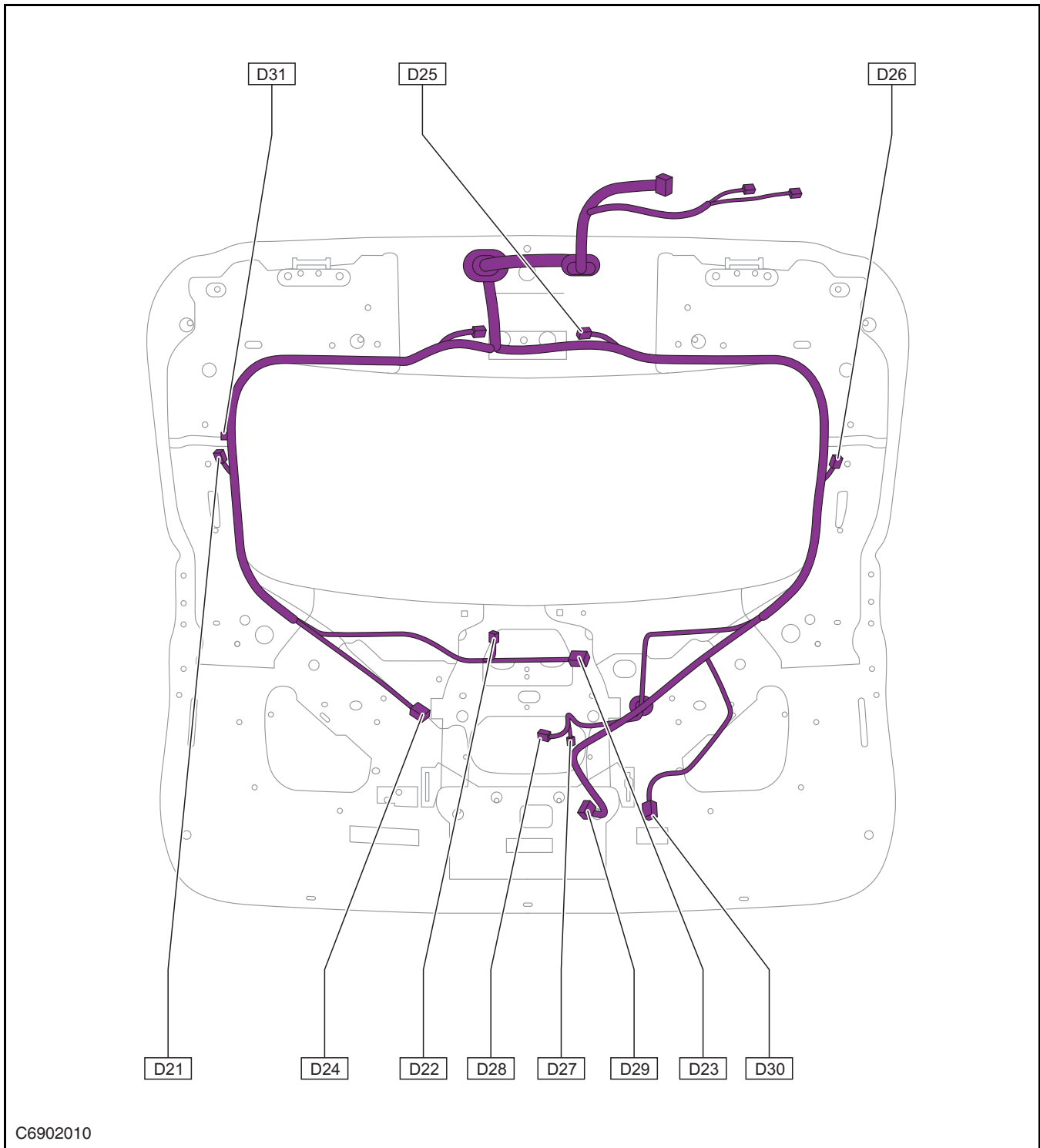


C6902007





C6902009



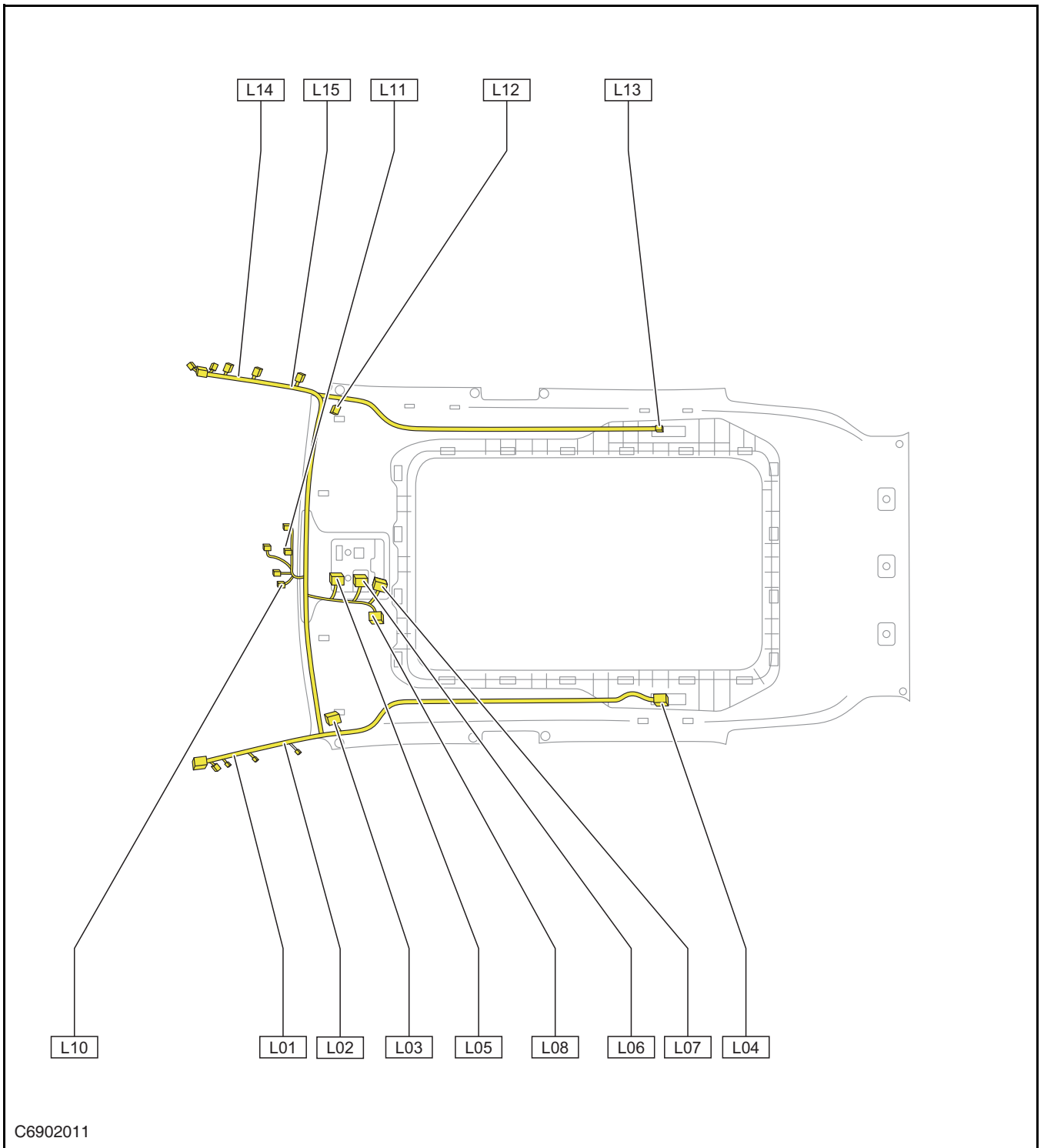
C6902010

Door Wiring Harness Connector (D) Definition List

Connector Name	Definition
Left Front Door Concealed Handle Switch	D01
Window Motor 1 (Left Front Door)	D02
Door Lock Motor (Left Front Door)	D03
Window Switch - Main (Four Doors Anti-pinch)	D04
Left Side Antenna	D05
Rearview Mirror (Left Front Door)	D06
Speaker 1 (Left Front Door)	D07
Left Camera	D08
Right Front Door Concealed Handle Switch	D11
Window Motor - Right Front Door (Anti-pinch)	D12
Door Lock Motor (Right Front Door)	D13
Window Switch - Sub (Anti-pinch)	D14
Right Side Antenna	D15
Rearview Mirror (Right Front Door)	D16
Right Camera	D17
Speaker 1 (Right Front Door)	D18
Rear Defroster Negative	D21
Rear Wiper Motor	D22
B Tail Lamp - Left	D23
Buzzer - Back Door	D24
High Mounted Brake Lamp	D25
Rear Defroster Positive	D26
Rear Camera Green	D27
License Plate Lamp - Left	D28
Back Door Close Switch	D29
Door Lock Motor - Back Door (High-configuration 1)	D30
Rear Streaming Camera (G.C.C.)	D31
Panoramic View Monitor - Left (G.C.C.)	D32
Seat Memory Switch (G.C.C.)	D33
Atmosphere Lamp 1 - Left Front Door (G.C.C.)	D34
Panoramic View Monitor - Right (G.C.C.)	D35
Atmosphere Lamp 1 - Right Front Door (G.C.C.)	D36
Left Rear Door Woofer	D40
Left Rear Door Tweeter	D41
Door Lock Motor (Left Rear Door)	D42
Left Rear Door Concealed Handle Switch	D43
Window Switch - Left Rear Door (Anti-pinch)	D44

Connector Name	Definition
Window Motor - Left Rear Door (Anti-pinch)	D45
Right Rear Door Woofer	D46
Right Rear Door Tweeter	D47
Door Lock Motor (Right Rear Door)	D48
Right Rear Door Concealed Handle Switch	D49
Window Switch - Right Rear (Anti-pinch)	D50
Window Motor - Right Rear Door (Anti-pinch)	D51

Roof Wiring Harness Connector (L--)

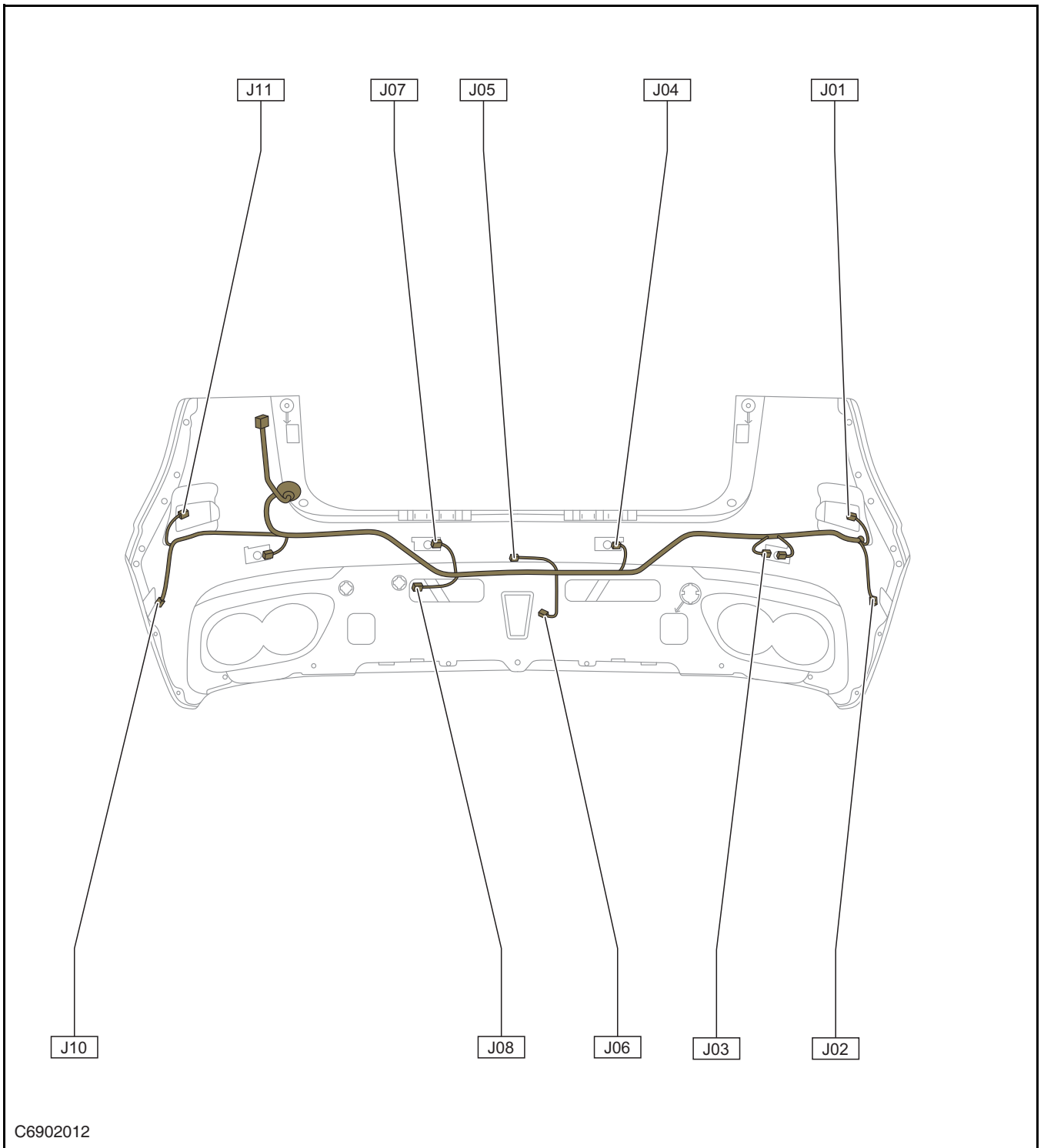


C6902011

Roof Wiring Harness Connector (L) Definition List

Connector Name	Definition
Front Windshield Heater-Left Positive (Russia)	L01
Front Windshield Heater-Left Negative (Russia)	L02
Vanity Lamp (Left)	L03
Middle Map Lamp-Left	L04
Microphone	L05
Front Dome Lamp + Sunroof	L06
SOS Switch	L07
Sunroof Controller (Panoramic)	L08
Rain/Ambient Light Sensor	L09
GPS Feeder Gray	L10
Lane Departure Controller A	L11
Vanity Lamp (Right)	L12
Middle Map Lamp-Right	L13
Front Windshield Heater-Right Negative (Russia)	L14
Front Windshield Heater-Right Positive (Russia)	L15

Rear Bumper Wiring Harness Connector (J--)

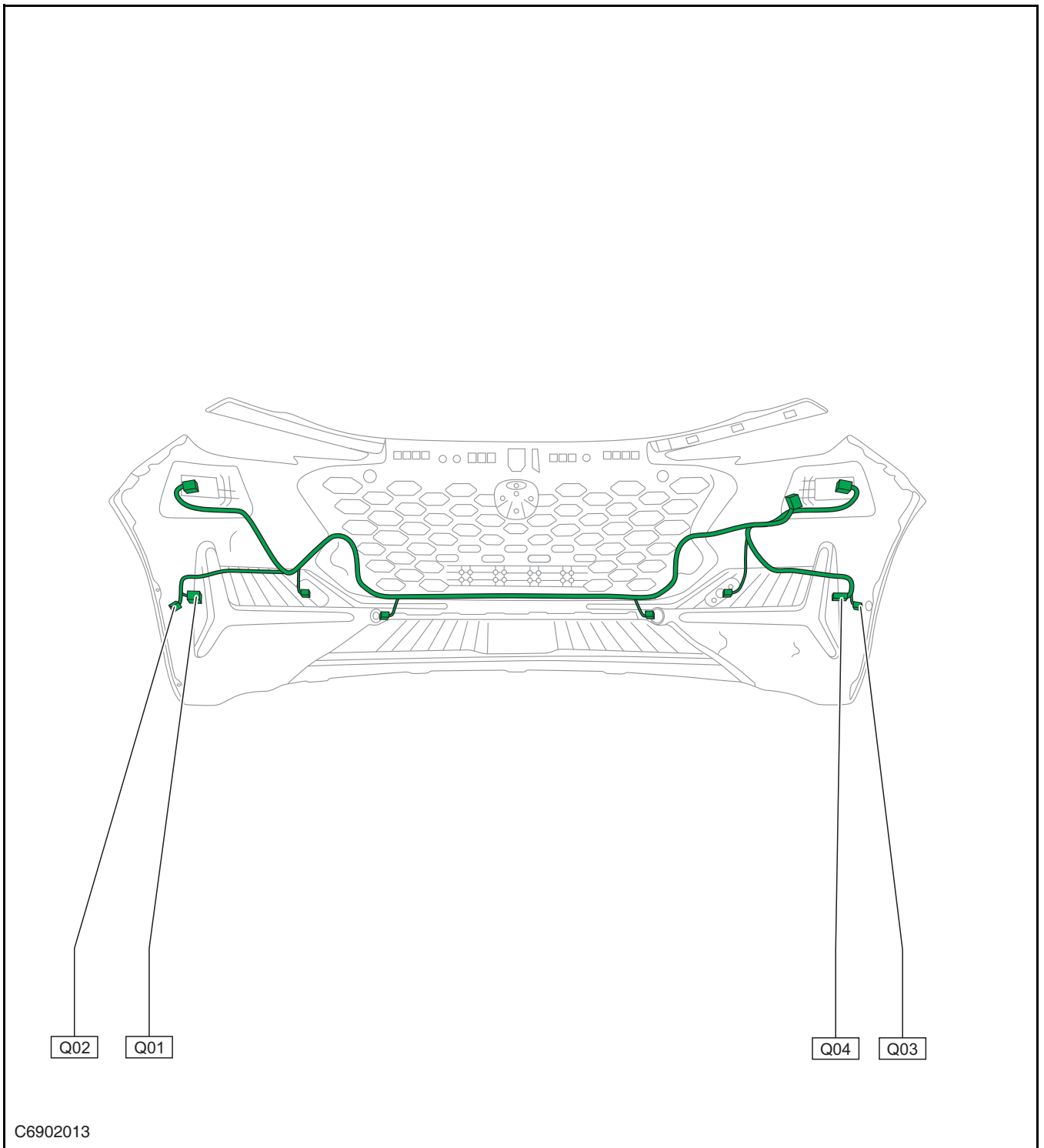


C6902012

Rear Bumper Wiring Harness Connector (J) Definition List

Connector Name	Definition
Blind Spot Monitoring Controller (Left)	J01
Reversing Radar Sensor - Left Rear	J02
Back-up Lamp (Left)	J03
Reversing Radar Sensor - Left Rear Center	J04
Inside Rear Antenna	J05
Rear Fog Lamp	J06
Reversing Radar Sensor - Right Rear Center	J07
Kick Sensor	J08
Back-up Lamp (Right)	J09
Reversing Radar Sensor - Right Rear	J10
Blind Spot Monitoring Controller (Right)	J11

Front Bumper Wiring Harness Connector (Q--)

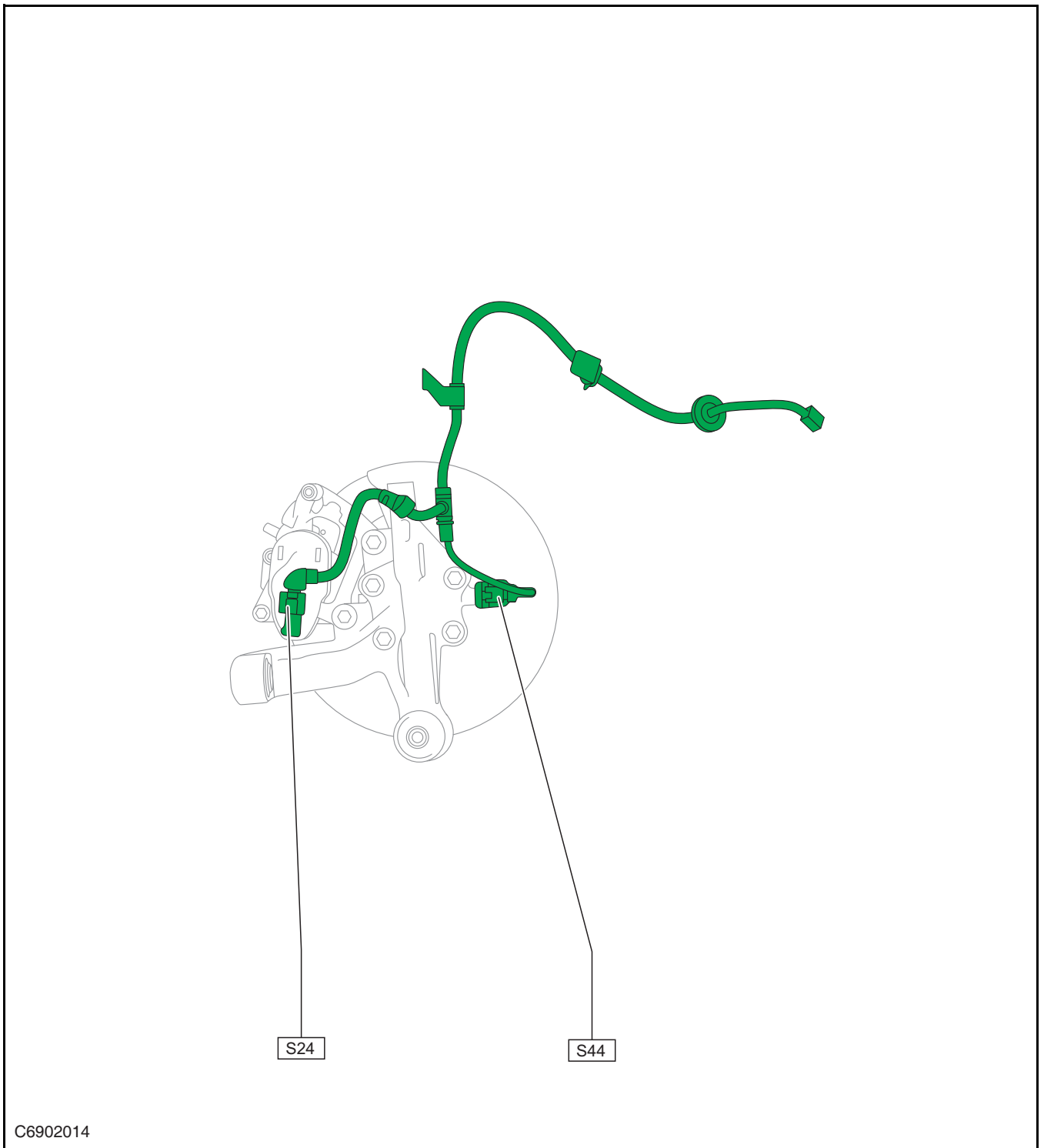


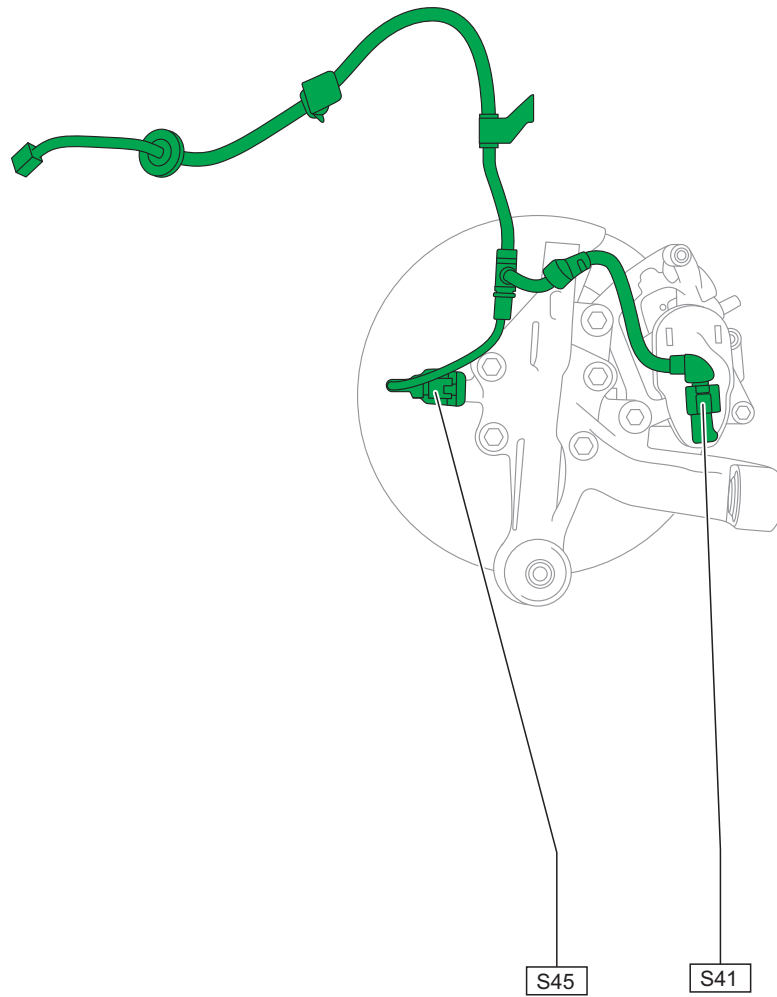
C6902013

Front Bumper Wiring Harness Connector (Q) Definition List

Connector Name	Definition
Front Combination Lamp (Left)	Q01
Front Radar (Left)	Q02
Front Radar (Right)	Q03
Front Combination Lamp (Right)	Q04

Electronic Parking Brake Wiring Harness Connector (S--)



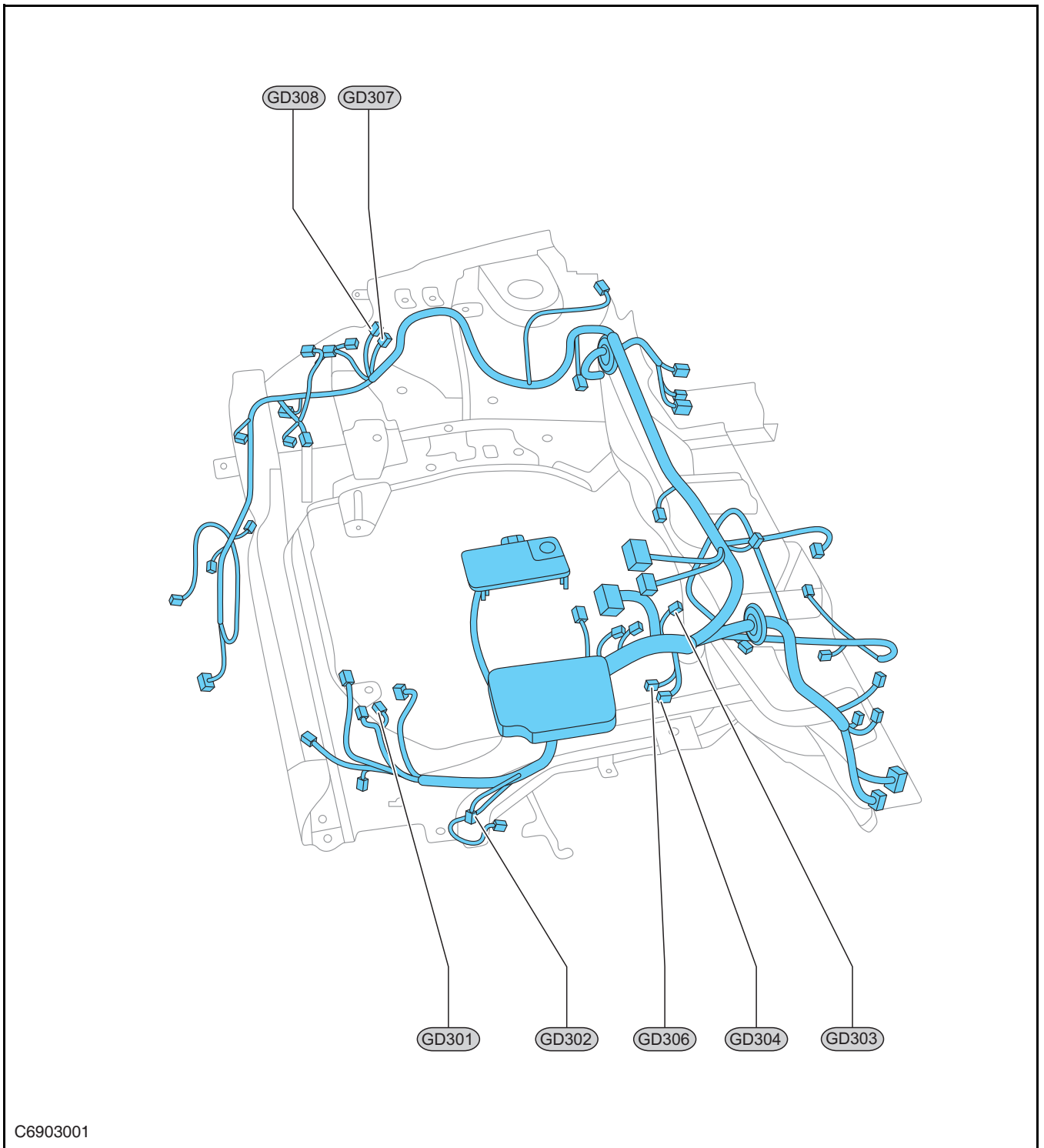


C6902015

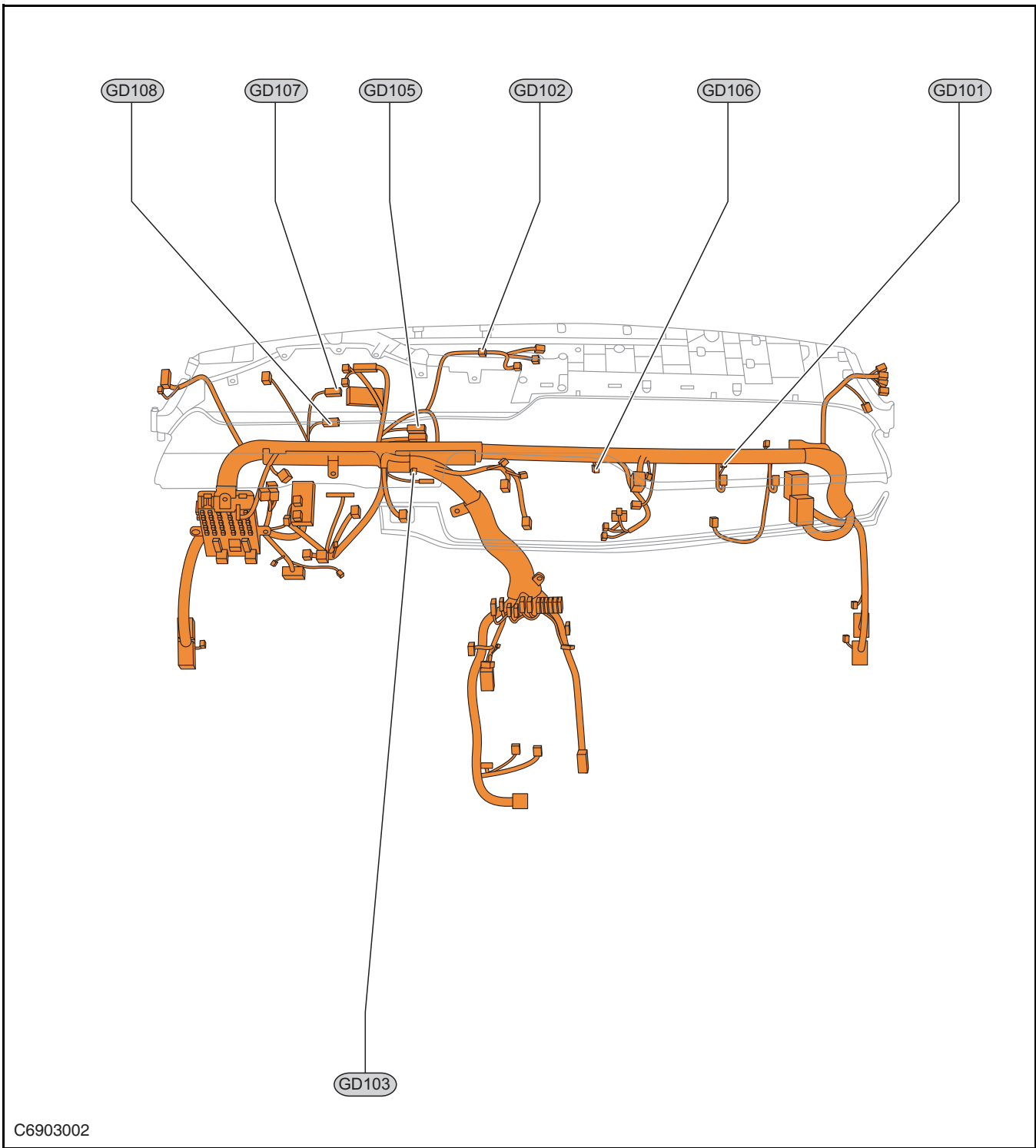
Electronic Parking Brake Wiring Harness Connector (S) Definition List

Connector Name	Definition
Left EPB Actuator Motor	S24
Right EPB Actuator Motor	S41
Wheel Speed Sensor - Left Rear	S44
Wheel Speed Sensor - Right Rear	S45

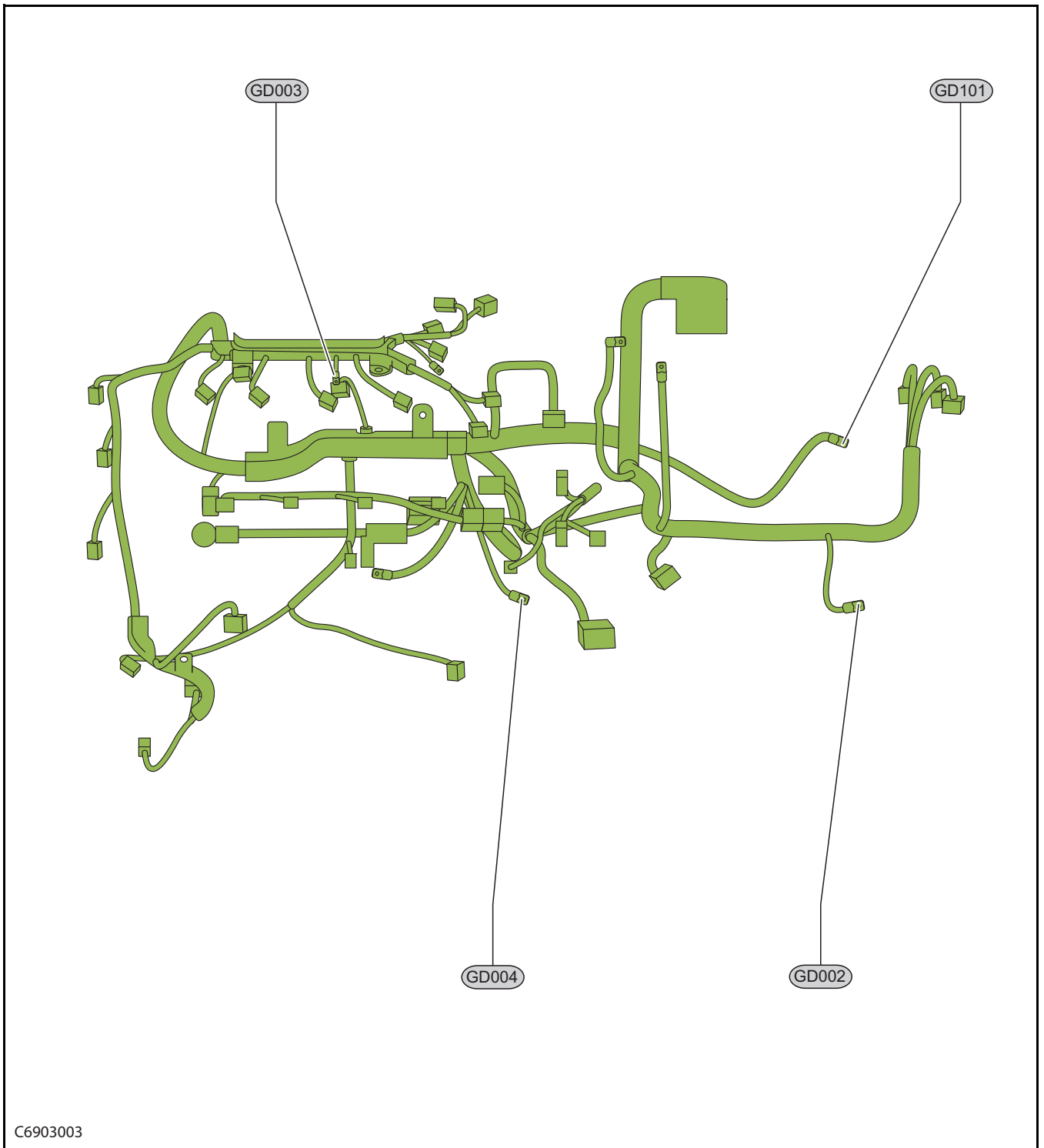
GD301 GD302 GD303 GD304 GD306 GD307 GD308



GD101 GD102 GD103 GD105 GD106 GD107 GD108

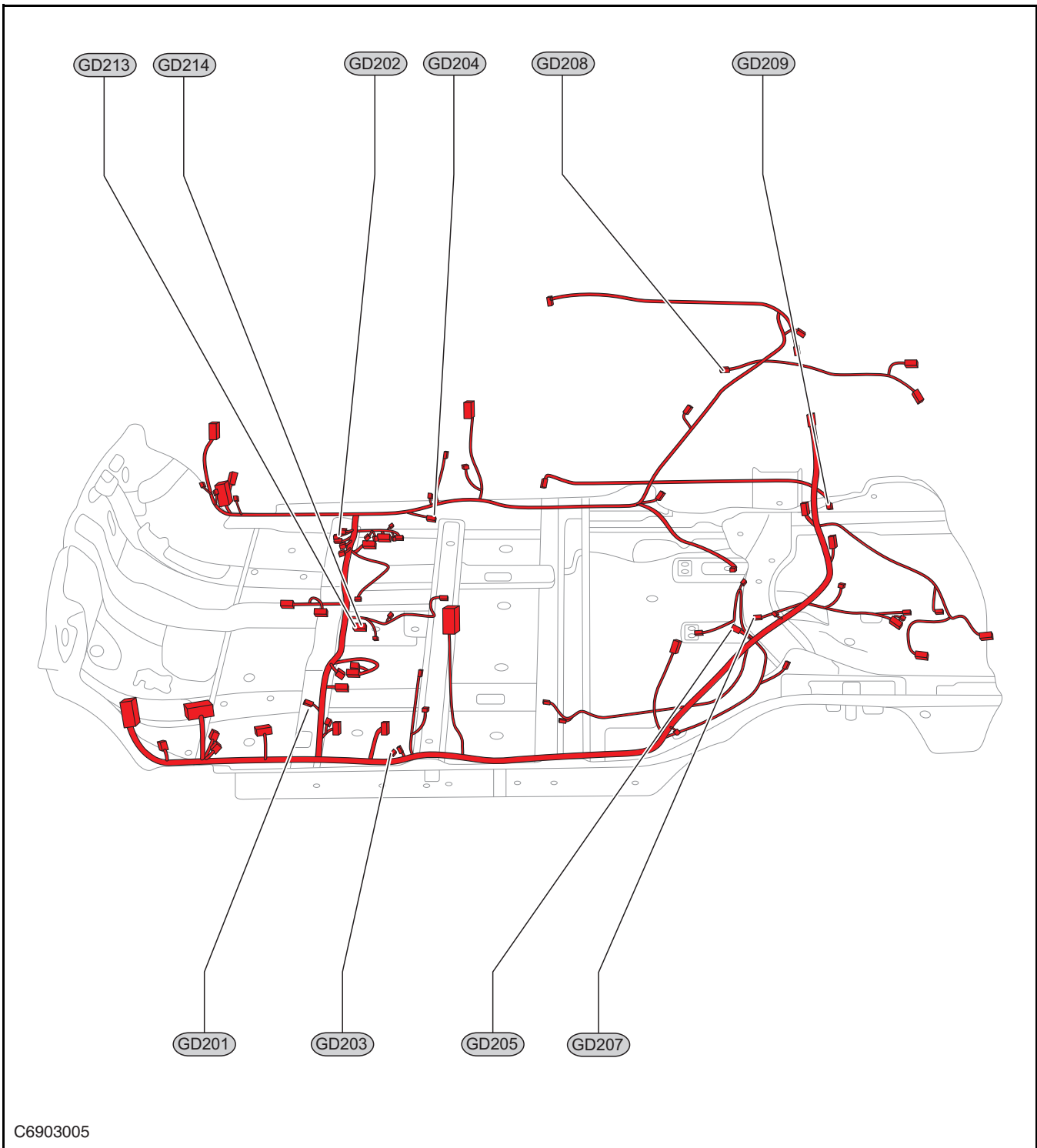


GD1001 GD1002 GD1003 GD1004



C6903003

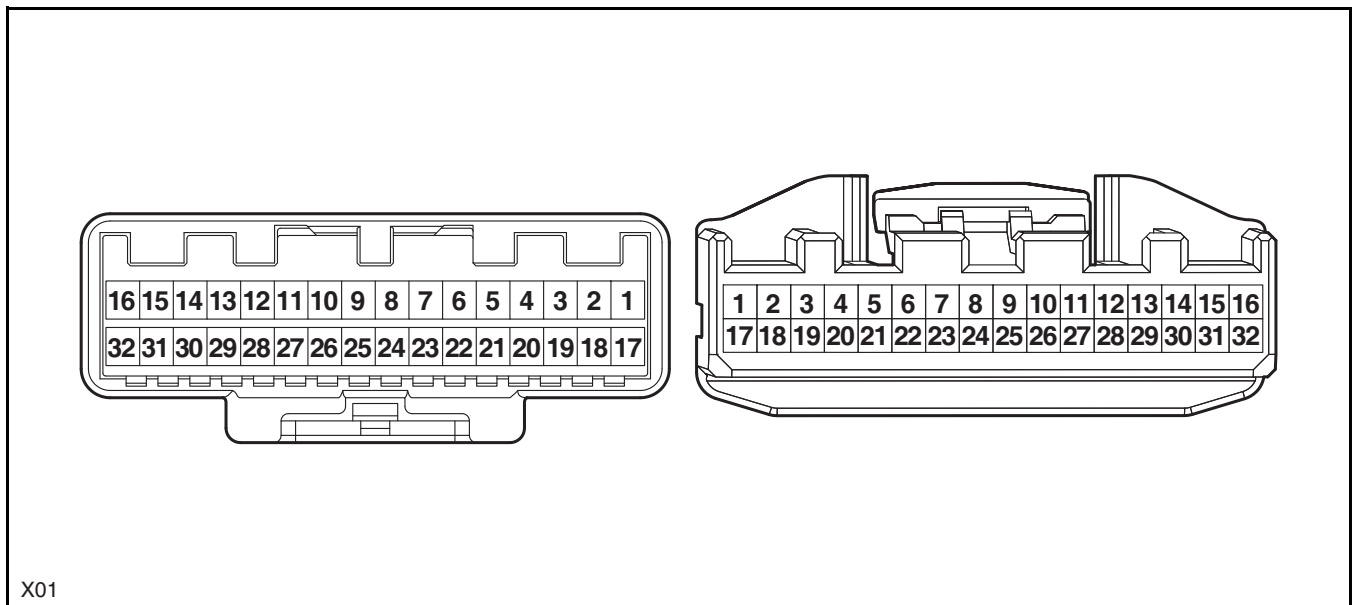
GD201 GD202 GD203 GD204 GD205 GD207 GD208 GD209 GD213 GD214



Wiring Harness to Wiring Harness Connector (X--)

Engine Compartment to Engine 1

Engine 1 to Engine Compartment



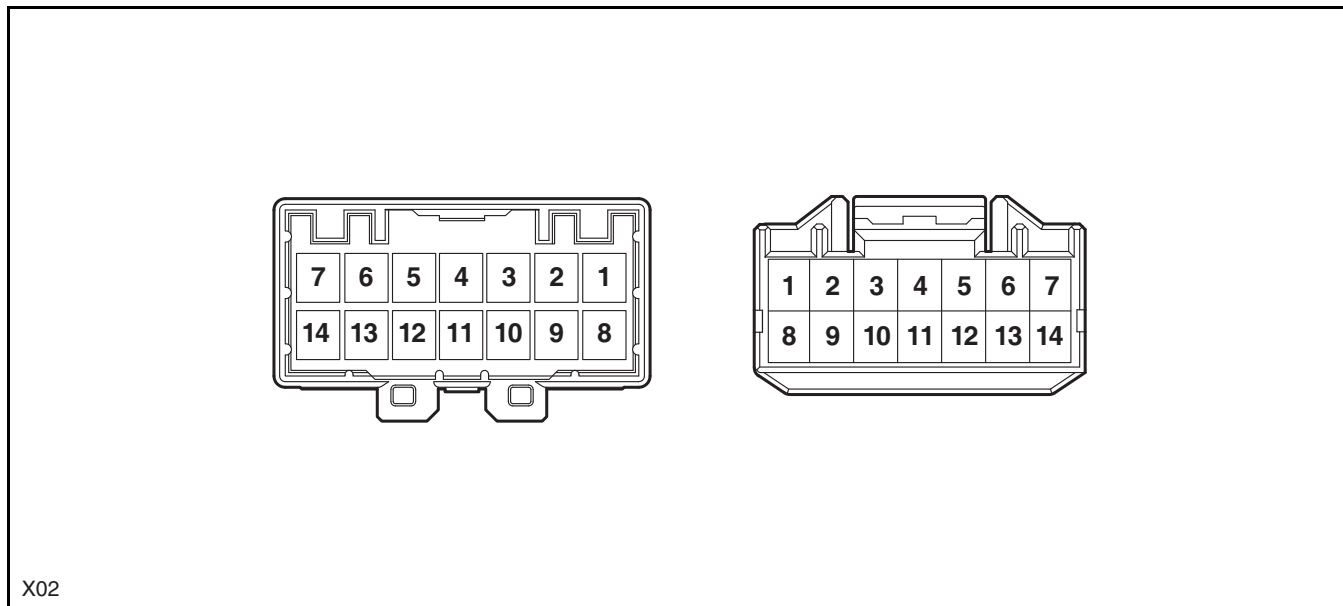
X01 Wiring Harness Connector Pin Definition

Pin No.	Wire Diameter/Color	Function
1	0.5 WH/BK	Linear Oxygen IP
2	0.5 OG/BU	Linear Oxygen VM
3	0.35 RD/GN	CAN-H
4	0.5 BN	Line Oxygen Sensor
5	0.5 BU/BN	Switch Oxygen Sensor Signal
6	0.5 GY/GN	Switch Oxygen Sensor Grounding
7	0.5 OG/BK	Switch Oxygen Heater
8	0.5 BN/YE	Electronic Thermostat Signal
9	0.5 BU/GN	Canister Control Valve Signal
10	0.5 YE/BK	Central Electromagnet Signal (Exhaust)
11	0.5 YE/WH	Central Electromagnet Signal (Intake)
12	0.5 PK/BU	Oil Pump Signal
13	0.35 GN/BK	CAN-L
14	0.35 PK	CAN-L
15	-	-
16	-	-
17	0.5 LG	Fuel Tank Pressure Sensor Signal
18	0.5 VT/WH	Fuel Tank Pressure Sensor Grounding
19	0.5 GN/RD	Fuel Tank Pressure Sensor Power Supply
20	-	-
21	-	-

Pin No.	Wire Diameter/Color	Function
22	-	-
23	-	-
24	0.35 LG	P/N Position Switch Signal
25	-	-
26	-	-
27	0.5 BU/BN	IG1
28	0.35 WH	Reverse Switch Signal
29	0.35 GN	CAN-H
30	0.35 GN/RD	Shift Mechanism Grounding
31	0.35 BU/RD	Shift Mechanism Position Feedback Signal
32	0.35 WH/RD	Shift Mechanism 5V Power Supply

Engine Compartment to Engine 2

Engine 2 to Engine Compartment

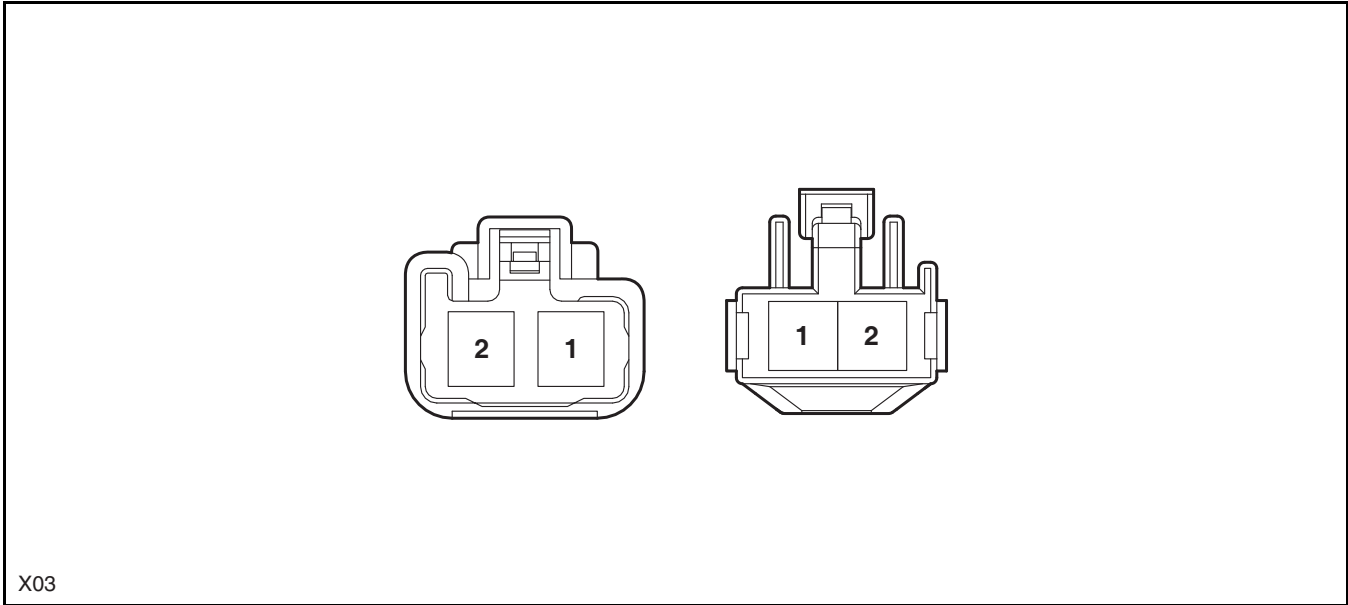


X02 Wiring Harness Connector Pin Definition

Pin No.	Wire Diameter/Color	Function
1	0.5 VT/GN	LIN Bus
2	0.75 RD/WH	Compressor Power Supply
3	1 RD/GN	TCU Power Supply
4	1.5 WH/BK	Main Relay Power Supply
5	0.75 VT	Liner Oxygen Heater
6	0.5 WH	Differential Pressure Sensor Power Supply
7	0.5 YE	Differential Pressure Sensor Grounding
8	0.5 BU	Air Intake Pressure Discharge Control Valve Signal
9	0.5 GN	Differential Pressure Sensor P2 Output Signal
10	0.5 OG	Differential Pressure Sensor P1 Output Signal
11	1 WH	Main Relay Power Supply
12	-	-
13	1 GN	Shift Mechanism Motor -
14	1 BU	Shift Mechanism Motor +

Engine Compartment to Engine 3

Engine 3 to Engine Compartment



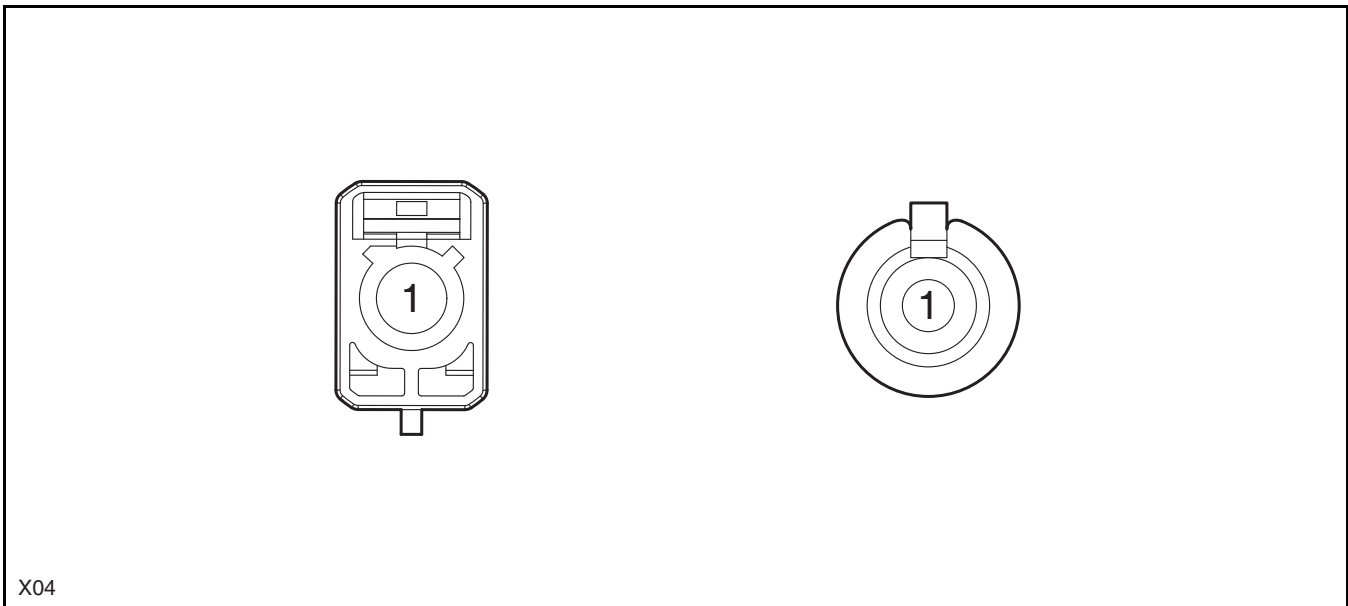
X03

X03 Wiring Harness Connector Pin Definition

Pin No.	Wire Diameter/Color	Function
1	2.5 RD/BU	Power Supply

Engine Compartment to Instrument Panel (Front Camera)

Instrument Panel to Engine Compartment (Front Camera)



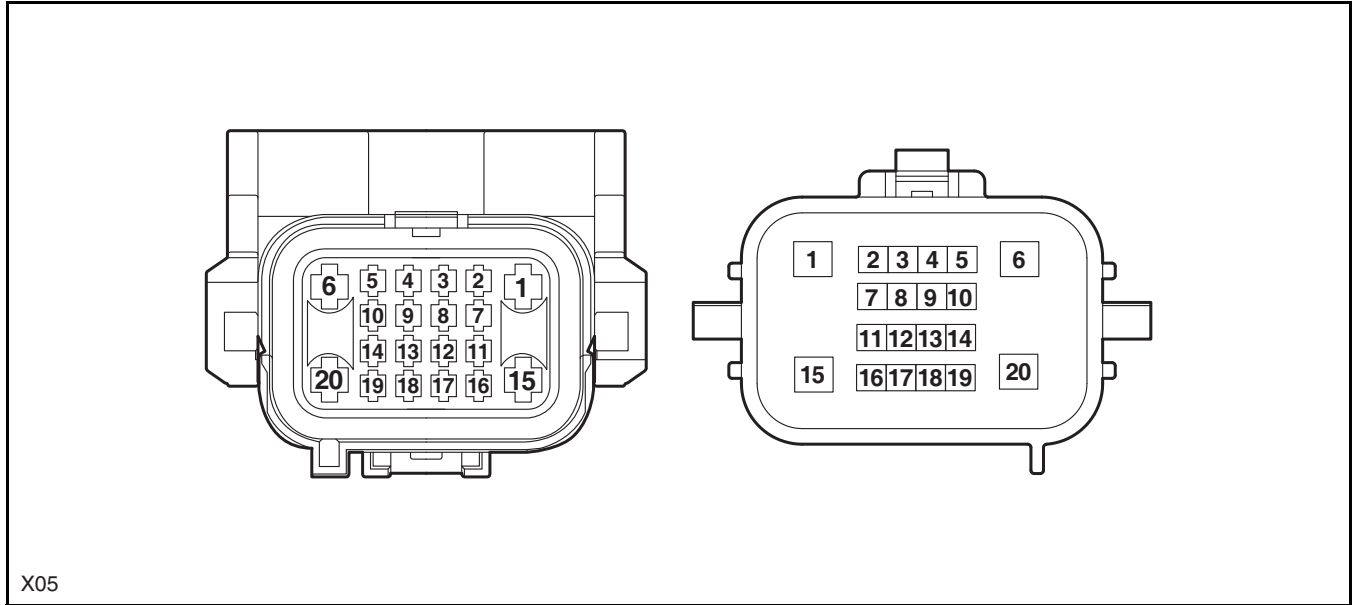
X04

X04 Wiring Harness Connector Pin Definition

Pin No.	Wire Diameter/Color	Function
1	-	Front Video Signal

Engine Compartment to Front Bumper (1)

Front Bumper to Engine Compartment (1)



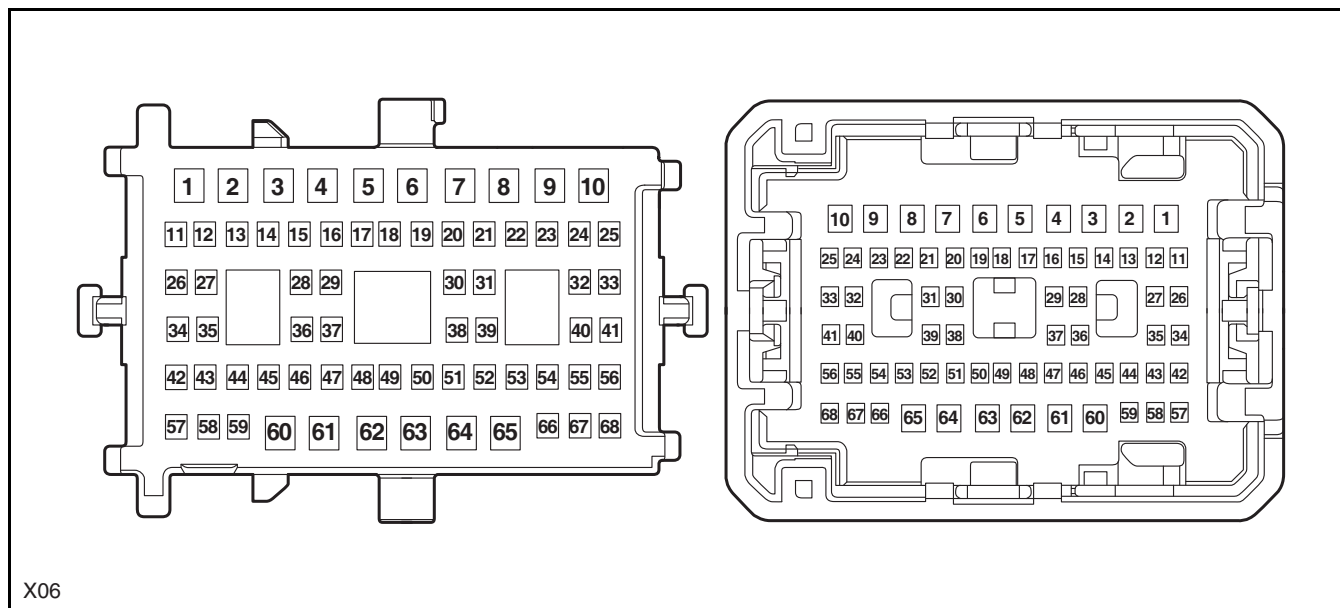
X05

X05 Wiring Harness Connector Pin Definition

Pin No.	Wire Diameter/Color	Function
1	0.5 BU	Front Position Lamp and License Plate Lamp 5V Power Supply
2	-	-
3	-	-
4	-	-
5	0.5 BK	Front Position Lamp and License Plate Lamp 5V Grounding
6	-	-
7	0.35 OG	Left Front Radar Signal
8	-	-
9	-	-
10	0.35 BU/BK	Right Front Radar Signal
11	-	-
12	-	-
13	0.35 RD/BU	Left Front Radar Power Supply
14	0.35 WH/BK	Left Front Radar Grounding
15	-	-
16	-	-
17	-	-
18	-	-
19	-	-
20	-	-

Instrument Panel to Chassis (Left 1)

Chassis to Instrument Panel (Left 1)



X06 Wiring Harness Connector Pin Definition

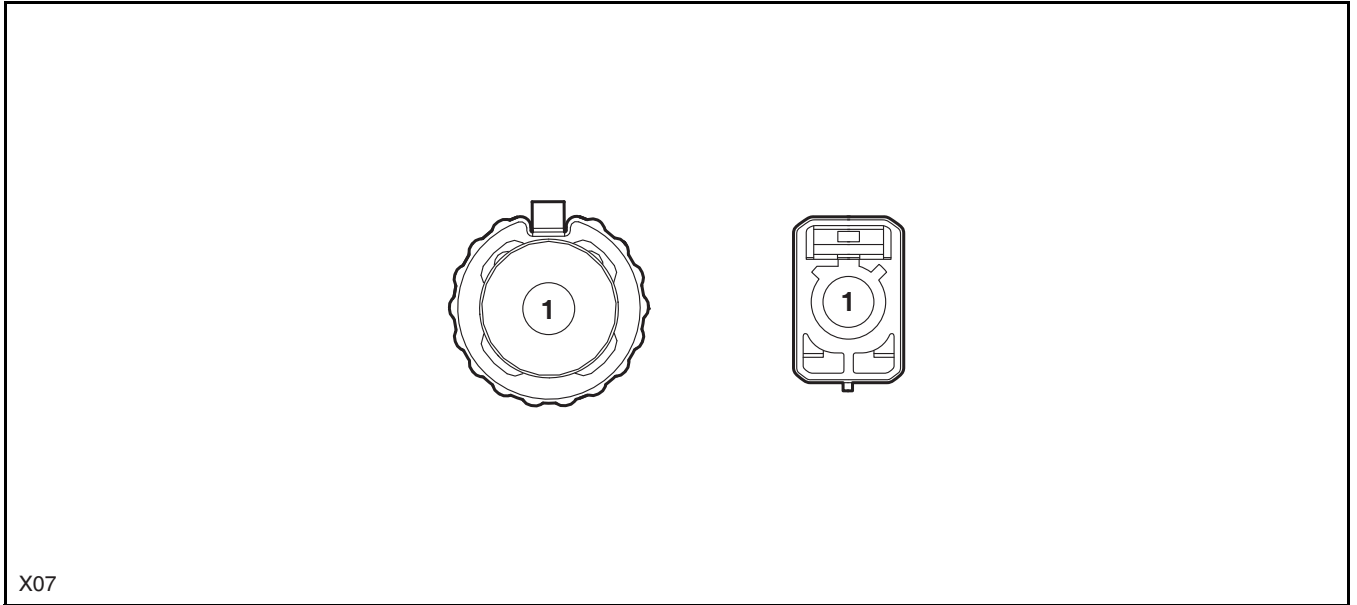
Pin No.	Wire Diameter/Color	Function
1	0.75 OG	Power Supply
2	0.5 VT/WH	ACC
3	0.5 VT/GN	Power Supply
4	0.5 BN	License Plate Lamp Power Supply
5	1 GY	Motor Positive
6	1 WH	Motor Negative
7	-	-
8	-	-
9	-	-
10	-	-
11	0.35 PK	Right Rearview Mirror Up-Down Position Sensor
12	0.5 OG	Power Supply
13	0.35 WH/BU	High Mounted Brake Lamp Power Supply
14	0.35 RD/GN	Luggage Compartment Door Release Switch
15	0.5 VR/GN	Public Terminal
16	0.5 GN/OG	Capacity Switch +
17	0.35 PK/GN	Left Rearview Mirror Left-Right Output
18	0.35 PK/BK	Left Rearview Mirror Up-Down Output
19	0.35 YE/RD	Fuel Sensor Grounding Sensor Grounding
20	0.35 BN/WH	Fuel Level Signal
21	-	-
22	-	-

Pin No.	Wire Diameter/Color	Function
23	0.35 OG/WH	Central Lock Signal (Unlock)
24	0.35 BU/GN	Central Lock Signal (Lock)
25	0.35 VT/GN	Atmosphere Lamp +
26	0.5 GY/BK	Motor Positive
27	0.5 YE/WH	Motor Negative
28	0.35 RD/BK	Lock Status Signal
29	0.5 VT/WH	Central Speaker -
30	0.35 GN/YE	Capacity Switch -
31	0.5 GY/RD	Central Release Lock
32	0.35 GN/BK	CAN-L
33	0.35 BU/BK	Left Side Antenna -
34	0.35 WH/GN	Microswitch 2 +
35	0.35 RD/BK	Microswitch 1 +
36	0.35 LG/BK	Door Lock Indicator Signal
37	0.5 VT	Middle Speaker +
38	0.35 PK/BU	Right Rearview Mirror Up-Down Output
39	0.35 RD/BU	Right Rearview Mirror Left-Right Output
40	0.35 GN	CAN-H
41	0.35 BN	Left Side Antenna +
42	0.35 WH/BK	Switch Signal Grounding
43	0.35 GN/OG	Middle Antenna +
44	0.35 GN/OG	Middle Antenna -
45	0.35 BU/YE	IG1
46	0.5 GN/WH	Turn Lamp Power Supply
47	-	-
48	0.5 RD	Front Door Atmosphere Lamp Power Supply
49	0.35 GN/RD	Left Blind Spot Indicator Driver Power Supply
50	-	-
51	0.35 GN/BU	Switch Signal Power Supply
52	0.35 OG/BK	Luggage Compartment Lamp Power Supply
53	-	-
54	-	-
55	0.35 GY	FORWARD Output Signal
56	0.35 BU	BACK Output Signal
57	0.35 LG	CAN-H
58	0.35 LG/BK	CAN-L
59	0.35 WH	Back Door Switch Signal
60	-	-

Pin No.	Wire Diameter/Color	Function
61	-	-
62	0.5 WH/BK	Left Front Tweeter -
63	0.5 VT/BK	Left Front Tweeter +
64	0.35 PK/BU	Microswitch 1 +
65	0.35 LG/BK	Microswitch 2 +
66	-	-
67	-	-
68	-	-

Instrument Cluster to Chassis (Streaming Camera)

Chassis to Instrument Cluster (Streaming Camera)

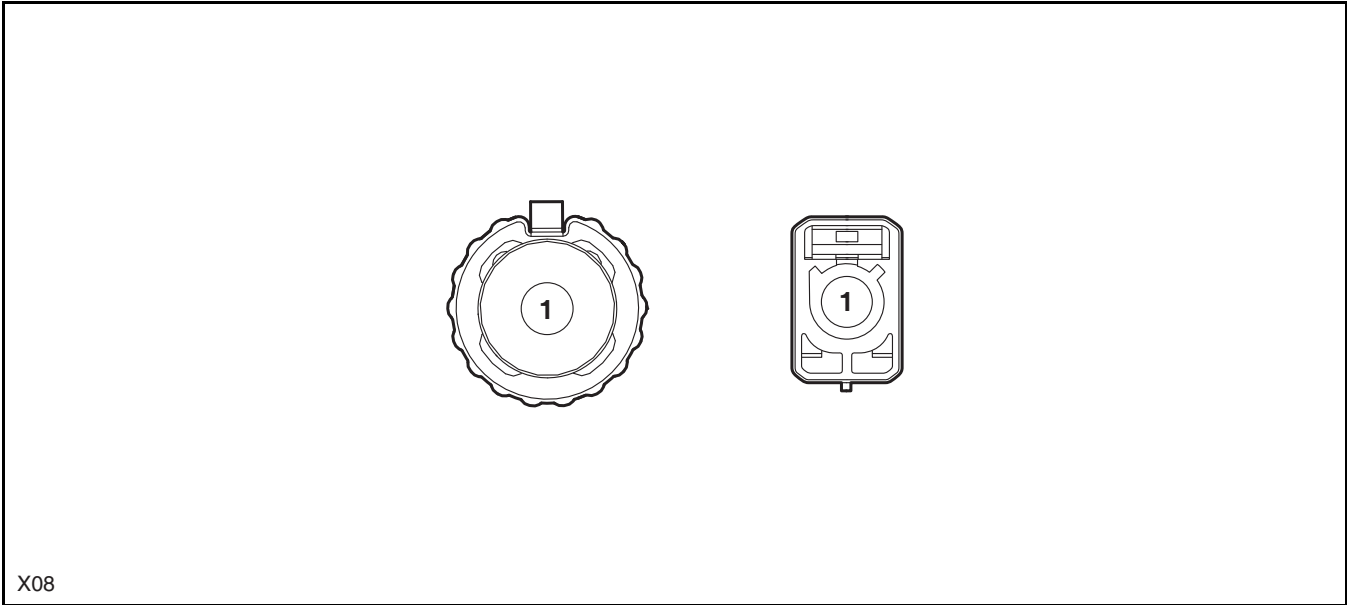


X07 Wiring Harness Connector Pin Definition

Pin No.	Wire Diameter/Color	Function
1	-	Streaming Camera Signal

Instrument Cluster to Chassis (Rear Camera)

Chassis to Instrument Cluster (Rear Camera)

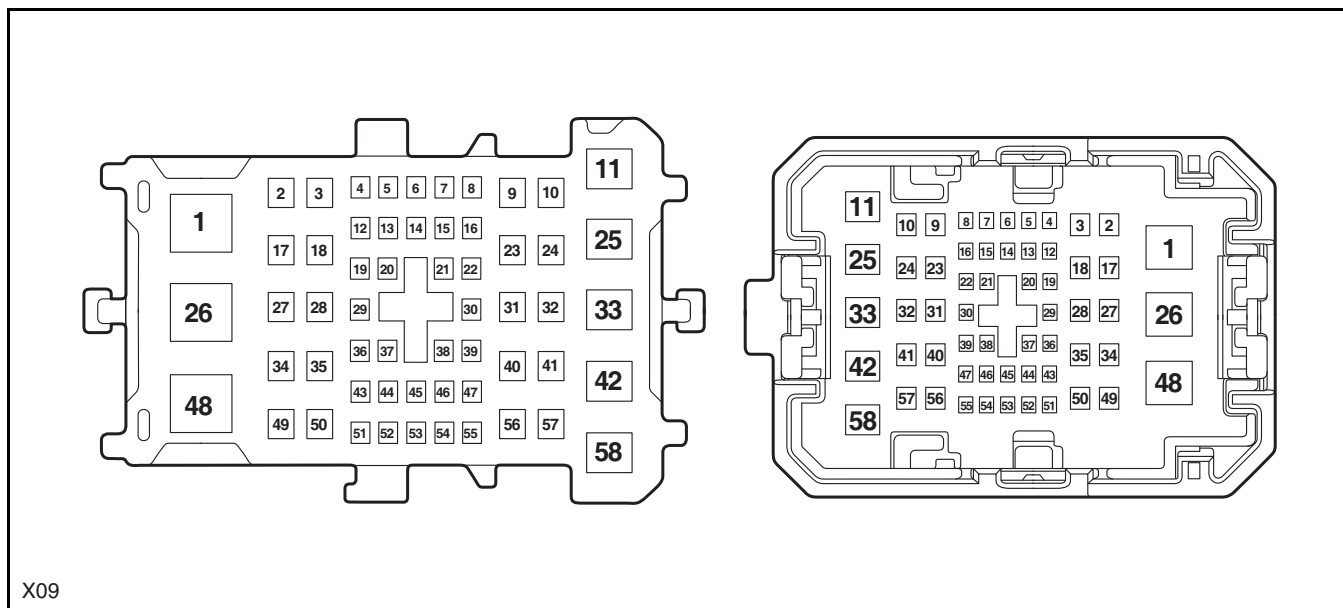


X08 Wiring Harness Connector Pin Definition

Pin No.	Wire Diameter/Color	Function
1	-	Rear Video Signal

Instrument Cluster to Engine Compartment (Left 1)

Engine Compartment to Instrument Cluster (Left 1)



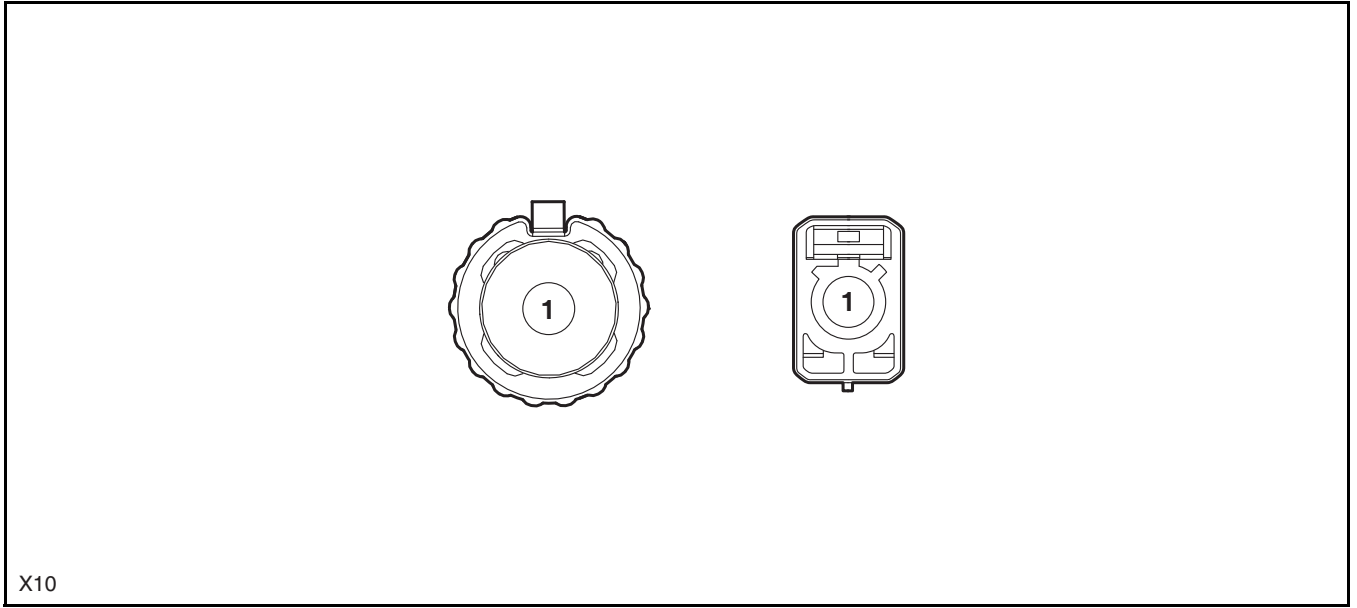
X09 Wiring Harness Connector Pin Definition

Pin No.	Wire Diameter/Color	Function
1	4.0 RD	Front A/C Blower Power Supply
2	-	-
3	-	-
4	0.35 VT	CAN-H
5	0.35 VT/WH	CAN-L
6	-	-
7	0.35 GY	Headlamp Leveling Switch Output
8	0.5 GY/BK	Automatic A/C Controller Power Supply
9	-	-
10	-	-
11	-	-
12	-	-
13	-	-
14	0.35 BU	CAN-H
15	0.35 BU/YE	CAN-L
16	-	-
17	-	-
18	0.35 YE	Headlamp Leveling Power Supply
19	-	-
20	-	-
21	0.35 GN/OG	Brake Fluid Level Sensor Signal
22	-	-

Pin No.	Wire Diameter/Color	Function
23	-	-
24	-	-
25	-	-
26	2.5 BN	ACC Power Supply
27	-	-
28	-	-
29	-	-
30	-	-
31	-	-
32	0.5 GN/VT	Brake Lamp Switch Signal
33	-	-
34	0.5 VT/BU	Driver Side Front Collision Acceleration Sensor +
35	0.5 VT/GN	Driver Side Front Collision Acceleration Sensor -
36	0.35 LG/BK	CAN-L
37	0.35 LG	CAN-H
38	-	-
39	-	-
40	-	-
41	-	-
42	-	-
43	-	-
44	-	-
45	-	-
46	0.35 WH/RD	EPB Switch 1
47	0.35 WH/BK	EPB Switch 3
48	2.5 OG	IG1 Power Supply
49	-	-
50	-	-
51	0.35 YE/RD	EPB Switch 4
52	0.35 GN/RD	EPB Switch 6
53	0.35 RD/BK	AVH Switch
54	0.35 BU/WH	AVH Switch Indicator
55	0.35 YE	EPB Switch Indicator
56	-	-
57	-	-
58	-	-

Instrument Cluster to Chassis (Left Camera)

Chassis to Instrument Cluster (Left Camera)

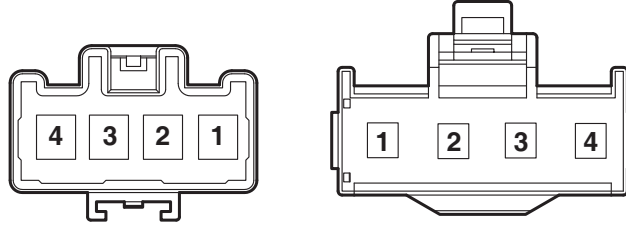


X10 Wiring Harness Connector Pin Definition

Pin No.	Wire Diameter/Color	Function
1	-	Left Camera Signal

Instrument Cluster to Engine Compartment (Left 3)

Engine Compartment to Instrument Cluster (Left 3)



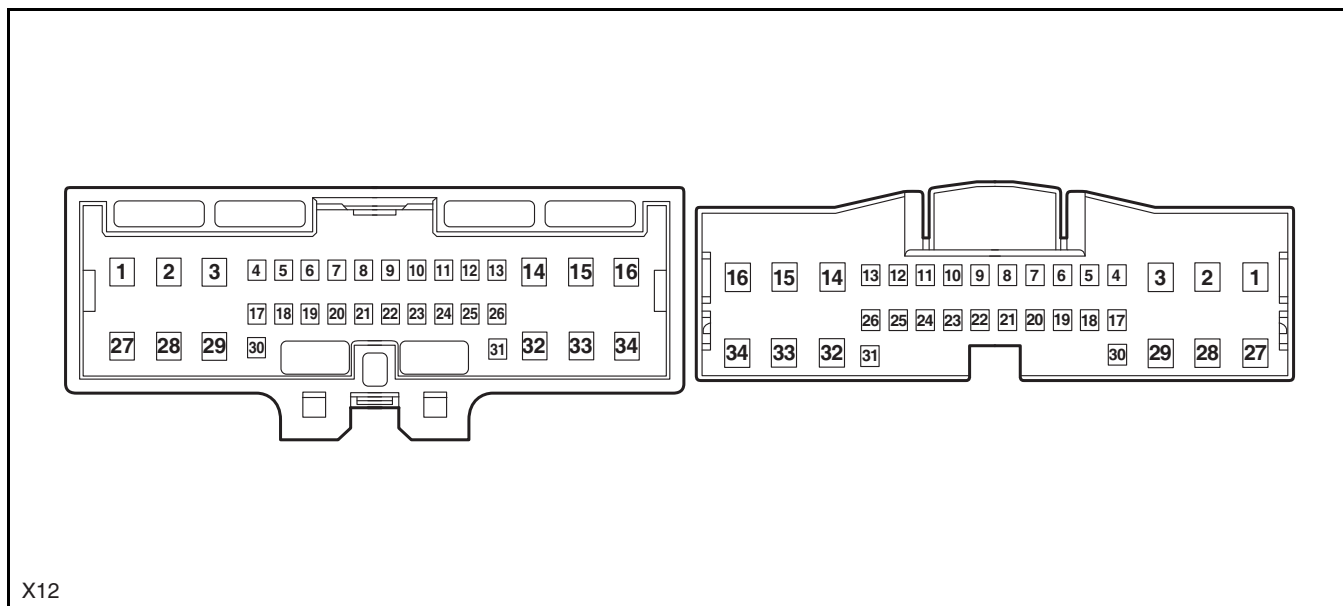
X11

X11 Wiring Harness Connector Pin Definition

Pin No.	Wire Diameter/Color	Function
1	-	-
2	-	-
3	5.0 RD	Power Supply
4	5.0 RD	Power Supply

Instrument Cluster to Roof (Left 1)

Roof to Instrument Cluster (Left 1)



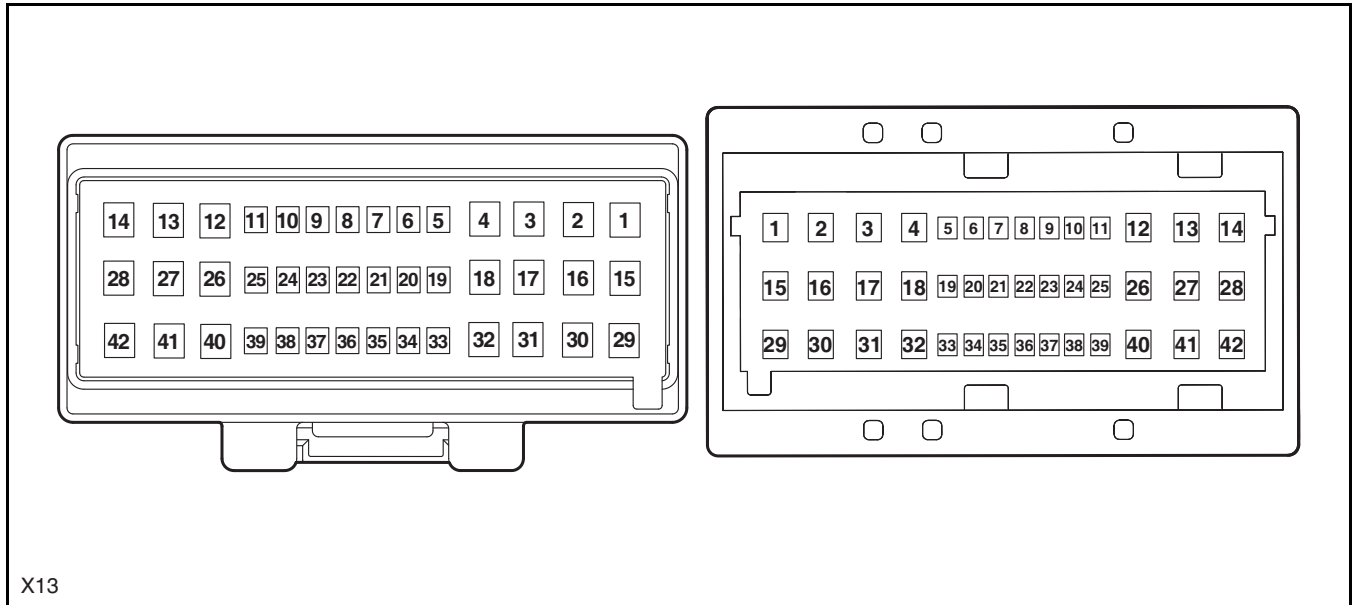
X12 Wiring Harness Connector Pin Definition

Pin No.	Wire Diameter/Color	Function
1 Russia	1.5 RD	Power Supply
1 G.C.C.	1.5 RD	Power Supply
2	-	-
3 G.C.C.	0.35 GN	LIN
4 Russia	0.35 GN	LIN
4 G.C.C.	0.35 VT	Microphone 2 Signal Grounding
5 Russia	0.35 VT	Microphone 2 Signal Grounding
5 G.C.C.	0.35 RD	Microphone 1 Signal
6 Russia	0.35 VT/WH	Microphone 2 Signal
7 Russia	0.35 RD	Microphone 1 Signal
8 Russia	0.35 BU/WH	Microphone 1 Signal Grounding
9 Russia	0.35 GN/WH	Rain/Ambient Light Sensor Power Supply
10 Russia	0.22 GN/BK	Speaker +
10 G.C.C.	1.5 BK	Grounding
11 Russia	0.22 PK	Speaker -
12 Russia	0.5 YE/BK	IG1 Power Supply
12 G.C.C.	0.35 GN/WH	Rain/Ambient Light Sensor Power Supply
13. G.C.C.	0.35 VT/WH	Microphone 2 Signal
14 Russia	1.5 BK	Grounding
14 G.C.C.	0.35 VT/WH	Microphone 1 Signal Grounding
15 Russia	0.75 BK	Grounding
16 Russia	0.75 BK	Grounding

Pin No.	Wire Diameter/Color	Function
17 Russia	0.35 BU	CAN-H
18 Russia	0.35 BU/YE	CAN-L
19	-	-
20 G.C.C.	0.75 BK	Grounding
21	-	-
22	-	-
23	-	-
24 G.C.C.	0.5 YE/BK	IG1 Power Supply
25	-	-
26	-	-
27 G.C.C.	0.35 BU/YE	CAN-L
28 G.C.C.	0.35 BU	CAN-H
29	-	-
30 G.C.C.	0.75 BK	Grounding
31	-	-
32	-	-

Instrument Cluster to Auxiliary Fascia Console

Auxiliary Fascia Console to Instrument Cluster



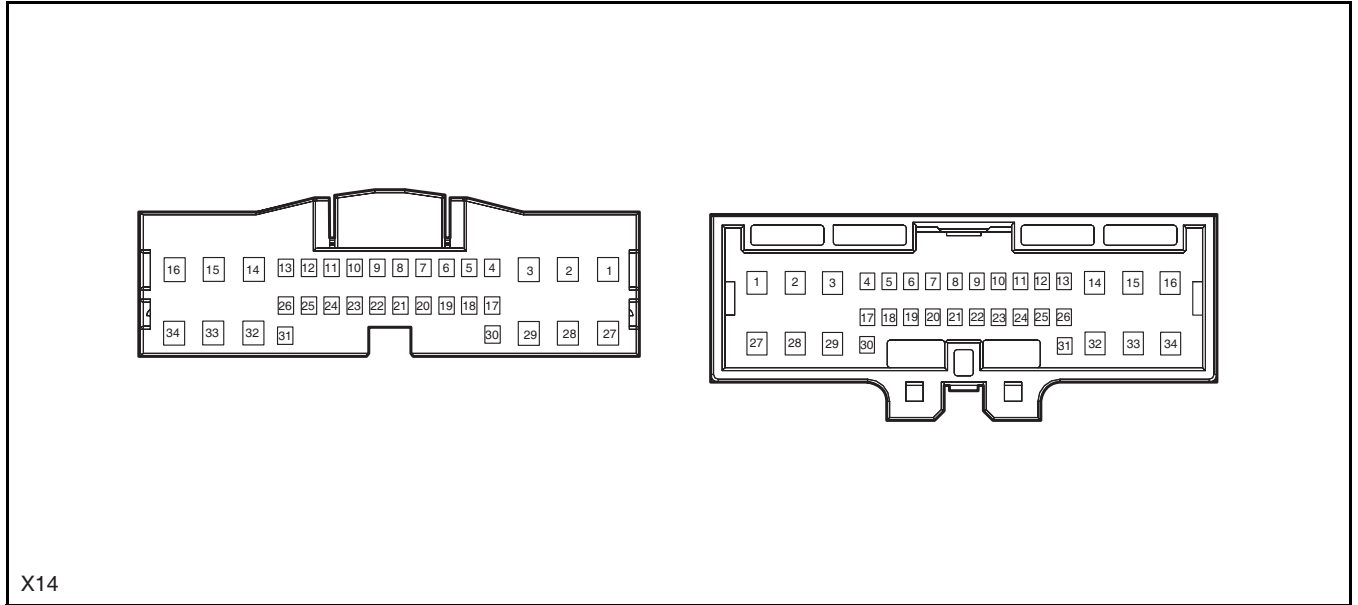
X13 Wiring Harness Connector Pin Definition

Pin No.	Wire Diameter/Color	Function
1	0.5 RD/YE	Backlight
2	0.5 WH/GN	Power Supply
3	0.5 VT/GN	IG1 Power Supply
4	0.35 RD/BK	Power Supply
5	0.35 OG/BK	-
6	0.35 GY/GN	-
7	0.35 PK	CAN-H
8	0.35 PK/BK	CAN-L
9	0.35 LG	CAN-H
10	0.35 LG/BK	CAN-L
11	0.35 VT	LIN
12	0.35 PK/BU	Luggage Compartment Door Release Switch
13	0.35 PK/GN	Grounding
14	-	-
15	0.5 BK	Grounding
16	-	-
17	-	-
18	-	-
19	0.35 WH/RD	EPB Switch 1
20	0.35 WH/BK	EPB Switch 3
21	0.35 YE/RD	EPB Switch 4
22	0.35 GN/RD	EPB Switch 6

Pin No.	Wire Diameter/Color	Function
23	0.35 RD/BK	AVH Switch
24	0.35 BU/WH	AVH Switch Indicator
25	0.35 YE	EPB Switch Indicator
26	0.35 WH/YE	AUTO Indicator Input Signal
27	0.35 GN/OG	2WD Indicator Input Signal
28	0.35 RD/GN	4WD Indicator Input Signal
29	-	-
30	-	-
31	-	-
32	-	-
33	0.35 BU/GN	SAVE Switch Output Signal
34	0.35 YE/BK	360 Switch Output Signal
35	-	-
36	-	-
37	-	-
38	-	-
39	-	-
40	0.35 BU	BACK Output Signal
41	0.35 GY	FORWARD Output Signal
42	-	-

Instrument Cluster to Chassis (Middle)

Chassis to Instrument Cluster (Middle)



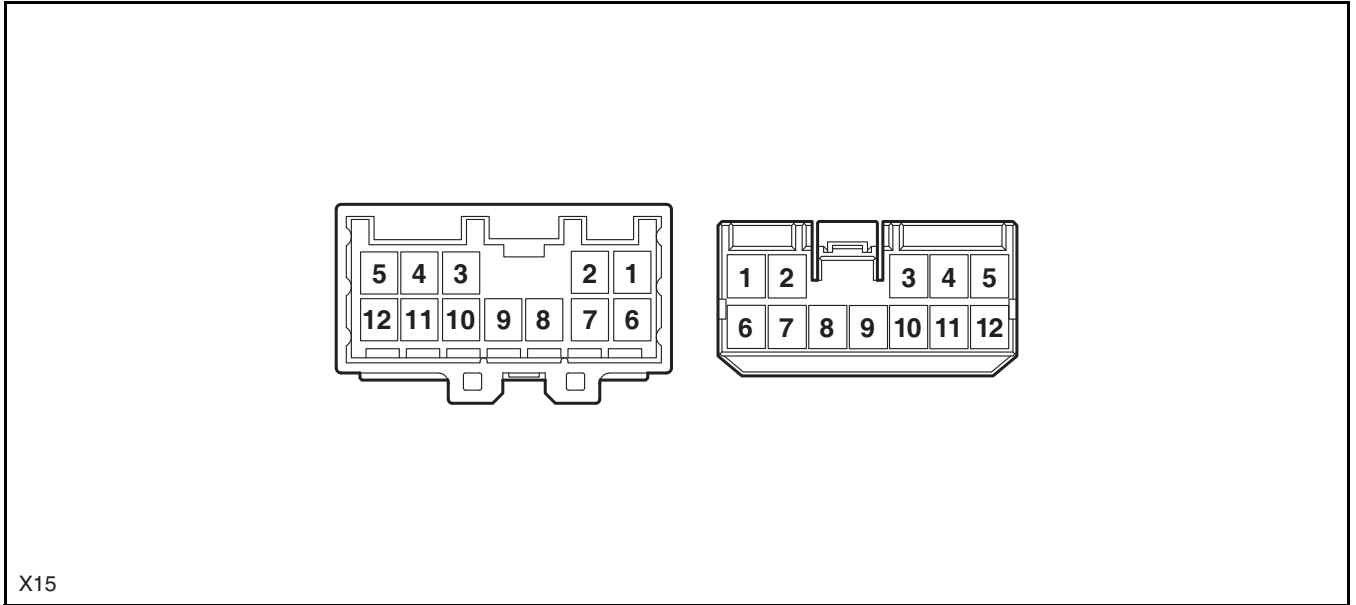
X14 Wiring Harness Connector Pin Definition

Pin No.	Wire Diameter/Color	Function
1	-	-
2	1.5 RD	Power Supply
3	-	-
4	-	-
5	0.35 PK/BK	CAN-L
6	0.5 BU	A2B Bus P
7	0.5 VT	A2B Bus N
8	0.35 BK	Video Shield Signal
9	-	-
10	0.35 WH/YE	Passenger Seat Belt Buckle Connected with Passenger Detection Seat Cushion in Series
11	-	-
12	0.35 OG/BK	Driver Seat Belt Buckle
13	-	-
14	-	-
15	-	-
16	2.5 RD/BU	Power Supply
17	-	-
18	0.35 WH/GN	Analog Grounding
19	0.5 RD	Power Supply
20	-	-
21	0.5 BK/WH	IG1 Power Supply
22	-	-

Pin No.	Wire Diameter/Color	Function
23	0.35 PK	CAN-H
24	-	-
25	-	-
26	-	-
27	-	-
28	-	-
29	-	-
30	-	-
31	-	-
32	2.5 RD/YE	Power Supply
33	2.5 VT	Power Supply
34	-	-

Instrument Cluster to Roof (Right)

Roof to Instrument Cluster (Right)

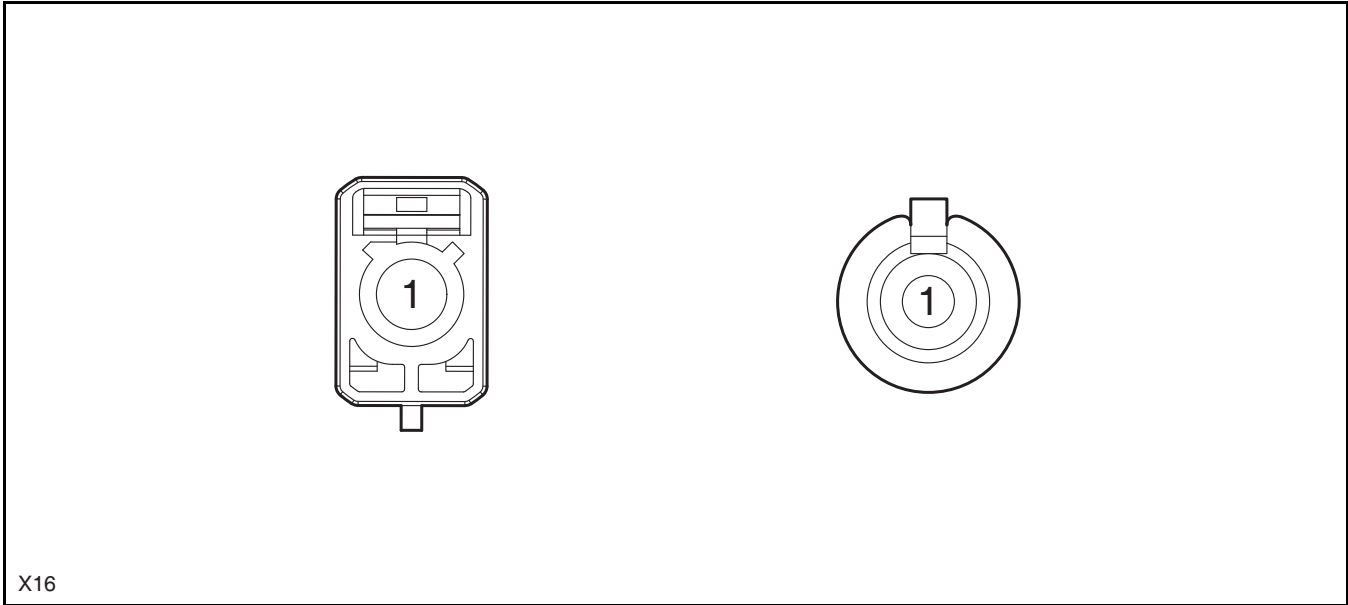


X15 Wiring Harness Connector Pin Definition

Pin No.	Wire Diameter/Color	Function
1 Russia	2.5 BN	-
2 Russia	0.35 BU	CAN-H
3 Russia	0.35 BU/YE	CAN-L
4 Russia	0.5 RD/YE	Front Dome Lamp Background Lamp
5 Russia	2.5 BK	-
6 Russia	0.35 WH/GN	-
7 Russia	0.35 WH	-
7 G.C.C.	0.35 BU	CAN-H
8 Russia	0.5 RD/BK	Energy Saving Output
8 G.C.C.	0.35 BU/YE	CAN-L
9 Russia	0.5 WH/PK	Dome Lamp Output
9 G.C.C.	0.5 RD/BK	Energy Saving Output
10 Russia	0.35 PK	Rain/Ambient Light LIN Communication Bus and IBS
10 G.C.C.	0.5 WH/RD	Dome Lamp Output
11 G.C.C.	0.35 WH/GN	-
12 G.C.C.	0.35 WH	-
13. G.C.C.	0.5 RD/YE	Front Dome Lamp Background Lamp
14 G.C.C.	0.35 PK	Rain/Ambient Light LIN Communication Bus and IBS
15	-	-
16	-	-

Instrument Cluster to Roof GPS Feeder (Gray)

Roof GPS Feeder to Instrument Cluster (Gray)

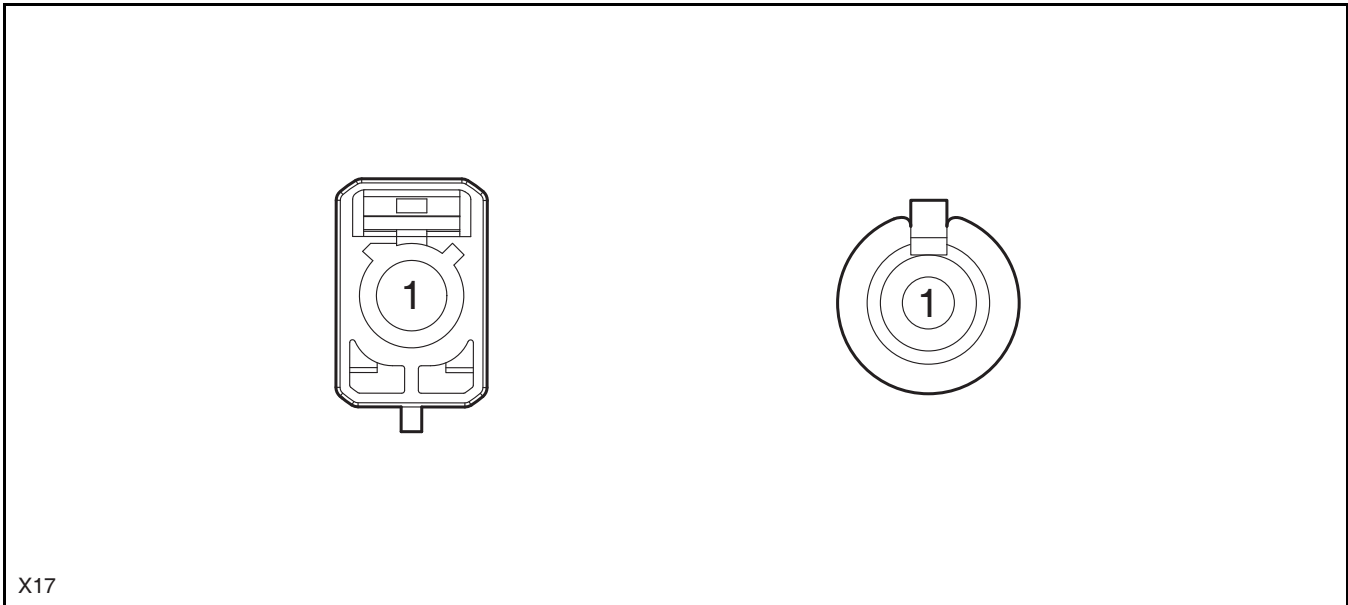


X16 Wiring Harness Connector Pin Definition

Pin No.	Wire Diameter/Color	Function
1	-	GPS Feeder

Instrument Cluster to Chassis Right Camera (Black)

Chassis Right Camera to Instrument Cluster (Black)

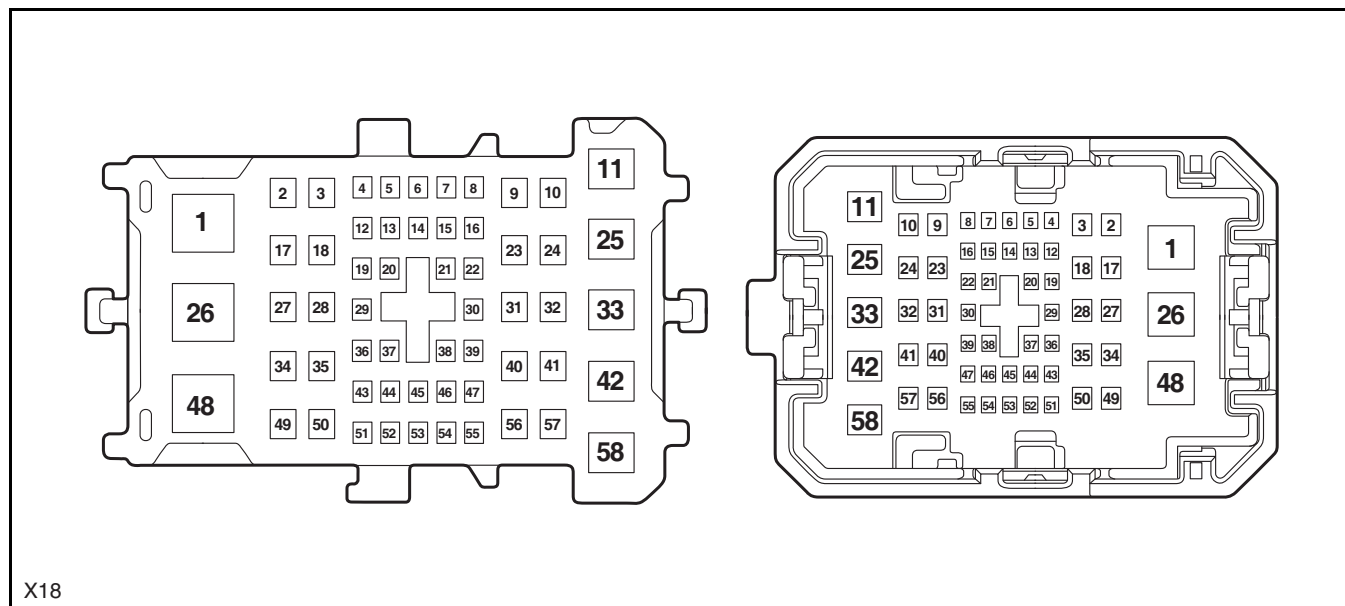


X17 Wiring Harness Connector Pin Definition

Pin No.	Wire Diameter/Color	Function
1	-	Right Camera Signal

Instrument Cluster to Engine Compartment (Right 1)

Engine Compartment to Instrument Cluster (Right 1)



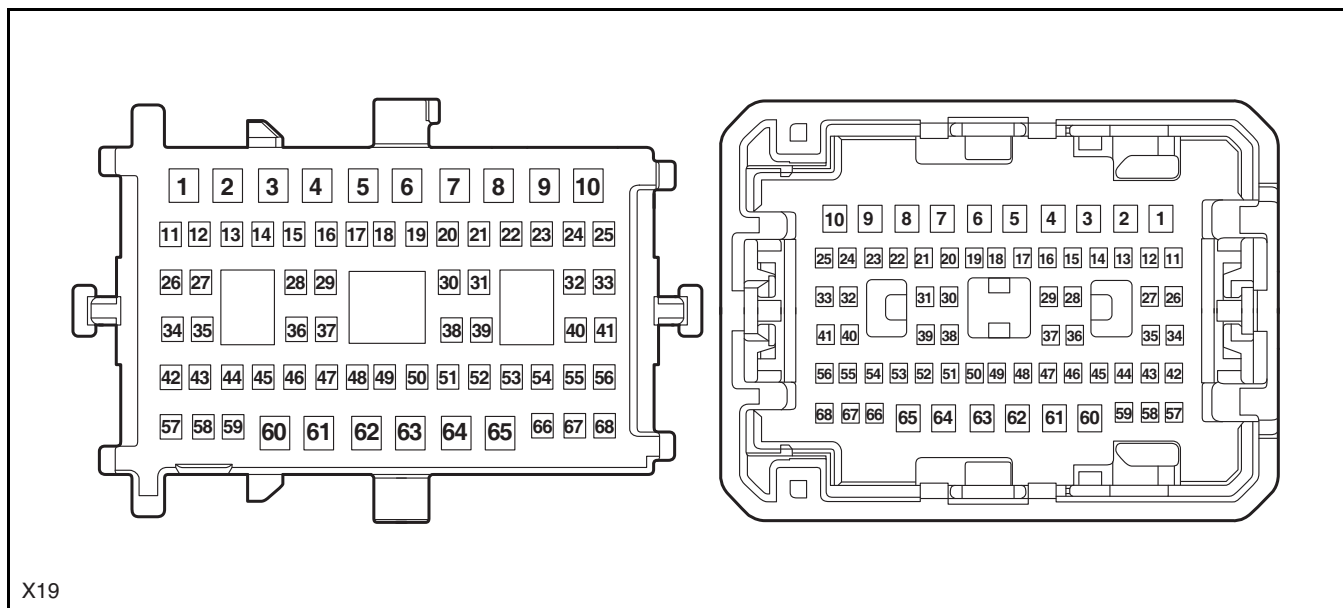
X18 Wiring Harness Connector Pin Definition

Pin No.	Wire Diameter/Color	Function
1	-	-
2	0.5 RD/WH	Right Front Daytime Running Lamp Power Supply
3	0.5 VT	Right Turn Lamp (Front Rear)
4	0.35 WH/GN	-
5	0.35 WH	-
6	0.35 LG	Rear Defroster Relay
7	0.35 OG/WH	IG1 Power Supply Coil
8	0.35 BN/WH	Low Beam Lamp Relay Signal
9	0.5 GN/WH	Left Turn Lamp (Front Rear)
10	0.5 BN	Left Front Combination Lamp Position Lamp Signal
11	1.0 BU/WH	Oil Pump Pressure Buildup Relay
12	-	-
13	0.35 VT	Air Conditioning System Operating Condition
14	-	-
15	-	-
16	-	-
17	0.5 BU/RD	Left Front Daytime Running Lamp Power Supply
18	0.35 WH	-
19	-	-
20	-	-
21	0.35 RD/BK	Front Wiper Low Speed Relay
22	0.35 GN/WH	Front Wiper High Speed Relay

Pin No.	Wire Diameter/Color	Function
23	-	-
24	0.35 RD/BU	ACC Relay Coil
25	-	-
26	-	-
27	-	-
28	-	-
29	0.35 RD/BU	Front Wiper Stop Signal
30	0.35 YE	Reverse Switch
31	0.75 VT	Front Washer Motor Power Supply
32	-	-
33	-	-
34	0.5 GN/VT	Passenger Side Front Collision Acceleration Sensor -
35	0.5 GN/BU	Passenger Side Front Collision Acceleration Sensor +
36	-	-
37	-	-
38	0.35 GN/YE	P/N Position Switch
39	0.35 BU/WH	SGND Signal Grounding
40	0.75 GN/RD	Rear Washer Motor Power Supply
41	-	-
42	-	-
43	-	-
44	-	-
45	0.35 PK	LIN Signal
46	0.35 WH/BK	Water Flow Steering Signal
47	0.35 WH/RD	Outside Temperature Input
48	-	-
49	-	-
50	-	-
51	0.35 BU/GN	High/Low Beam Lamp Signal
52	-	-
53	-	-
54	0.35 BK/WH	Horn Relay
55	0.35 PK/BK	Rear Wiper Relay
56	-	-
57	-	-
58	-	-

Instrument Cluster to Chassis (Right 1)

Chassis to Instrument Cluster (Right)



X19 Wiring Harness Connector Pin Definition

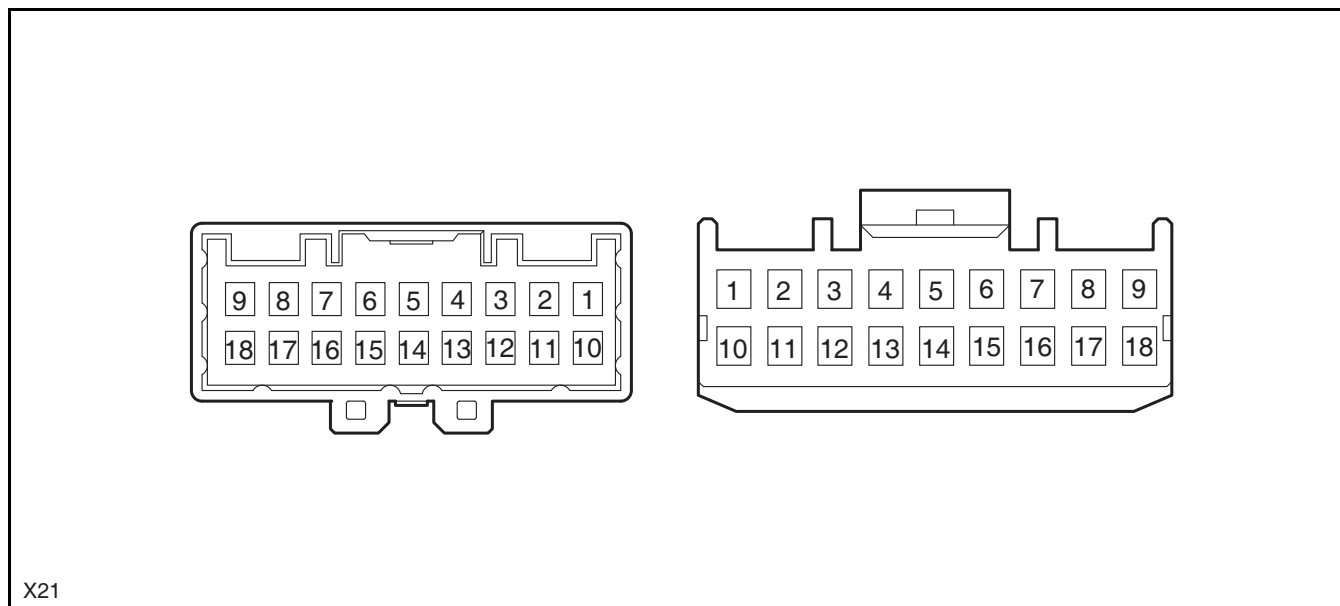
Pin No.	Wire Diameter/Color	Function
1	0.75 RD/WH	Lock Output
2	0.5 OG	Power Supply
3	0.5 VT	LIN
4	0.5 VT/GN	Rear Fog Lamp Power Supply
5	0.5 VT/WH	Rear Tail Lamp (Position Lamp) Power Supply
6	0.5 WH/RD	Brake Lamp Power Supply
7	-	-
8	-	-
9	-	-
10	1.0 WH/RD	Power Supply
11	0.35 PK/BK	Rear Wiper Stop Signal
12	0.35 WH/BU	Rear Turn Lamp Diagnosis Feedback
13	-	-
14	-	-
15	-	-
16	0.35 YE	Right Front Door Handle Switch
17	-	-
18	-	-
19	0.5 RD/YE	Backlight
20	0.35 GN	LIN
21	0.35 BU	CAN-H
22	0.35 BU/YE	CAN-L

Pin No.	Wire Diameter/Color	Function
23	-	-
24	-	-
25	0.35 PK/GN	Left Front Door Handle Lamp
26	-	-
27	-	-
28	-	-
29	-	-
30	-	-
31	0.5 YE/WH	Other Three Doors Unlock Output
32	-	-
33	0.35 BN/WH	Right Side Antenna -
34	0.35 BU/GN	Right Rear Door Concealed Handle Retracting Position Switch
35	0.35 GN/BK	Right Rear Door Concealed Handle Extending Position Switch
36	-	-
37	-	-
38	-	-
39	-	-
40	-	-
41	0.35 YE/RD	Right Side Antenna +
42	0.35 WH/RD	Right Front Door Status
43	0.35 GN/WH	Inside Rear Antenna +
44	0.35 BU/BK	Inside Rear Antenna -
45	-	-
46	0.5 VT	Right Front Turn Lamp Power Supply
47	-	-
48	-	-
49	0.35 VT/WH	Right Blind Spot Indicator Driver
50	0.5 VT/BK	Left Front Rearview Mirror Folding
51	0.35 BU/YE	Right Rear Door Status
52	0.5 WH/YE	Left Front Rearview Mirror Extending
53	0.35 GY	LIN
54	-	-
55	-	-
56	0.35 RD/BK	Power Supply
57	0.35 YE/BK	Kick Sensor Signal
58	-	-
59	0.5 BK/WH	Reversing Lamp Power Supply

Pin No.	Wire Diameter/Color	Function
60	-	-
61	-	-
62	0.5 GY/BK	Right Front Tweeter -
63	0.5 GY/RD	Right Front Tweeter +
64	0.35 BN/WH	Right Front Door Concealed Handle Extending Position Switch
65	0.35 YE/RD	Right Front Door Concealed Handle Retracting Position Switch
66	-	-
67	-	-
68	0.35 WH/BK	Water Flow Steering Signal

Chassis to Right Rear Door

Right Rear Door to Chassis

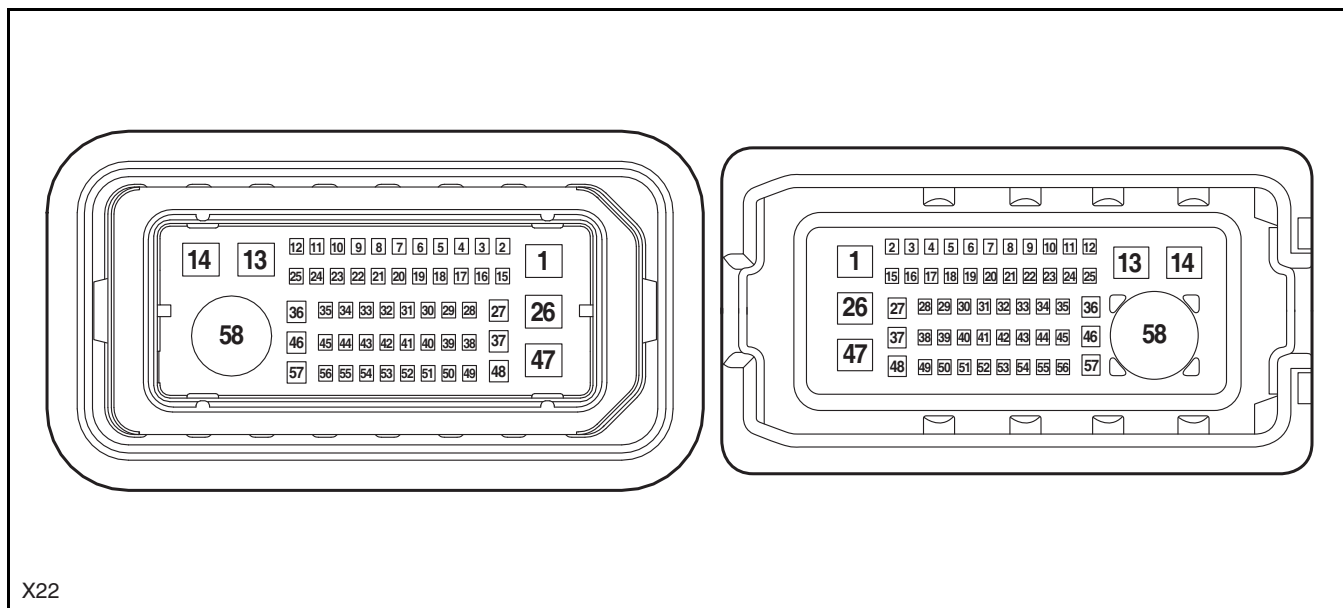


X21 Wiring Harness Connector Pin Definition

Pin No.	Wire Diameter/Color	Function
1	2.5 RD/BK	Right Rear Door Window Motor (Anti-Pinch) Power Supply
2	0.35 BU/GN	Microswitch 2 +
3	0.35 GN/BK	Microswitch 1 +
4	0.5 GN/RD	Right Rear Woofer -
5	0.5 GN/VT	Right Rear Woofer +
6	-	-
7	-	-
8	0.5 RD/YE	Background Lamp
9	-	-
10	0.5 YE/WH	Right Rear Door Lock Motor Unlock
11	0.5 RD/WH	Right Rear Door Lock Motor Lock
12	0.35 GN	LIN
13	-	-
14	2.5 BK	Grounding
15	0.35 PK/GN	Atmosphere Lamp +
16	0.5 WH	Motor Negative
17	0.5 GY	Right Rear Door Concealed Handle Switch Motor Positive
18	-	-

Chassis to Right Front Door

Right Front Door to Chassis



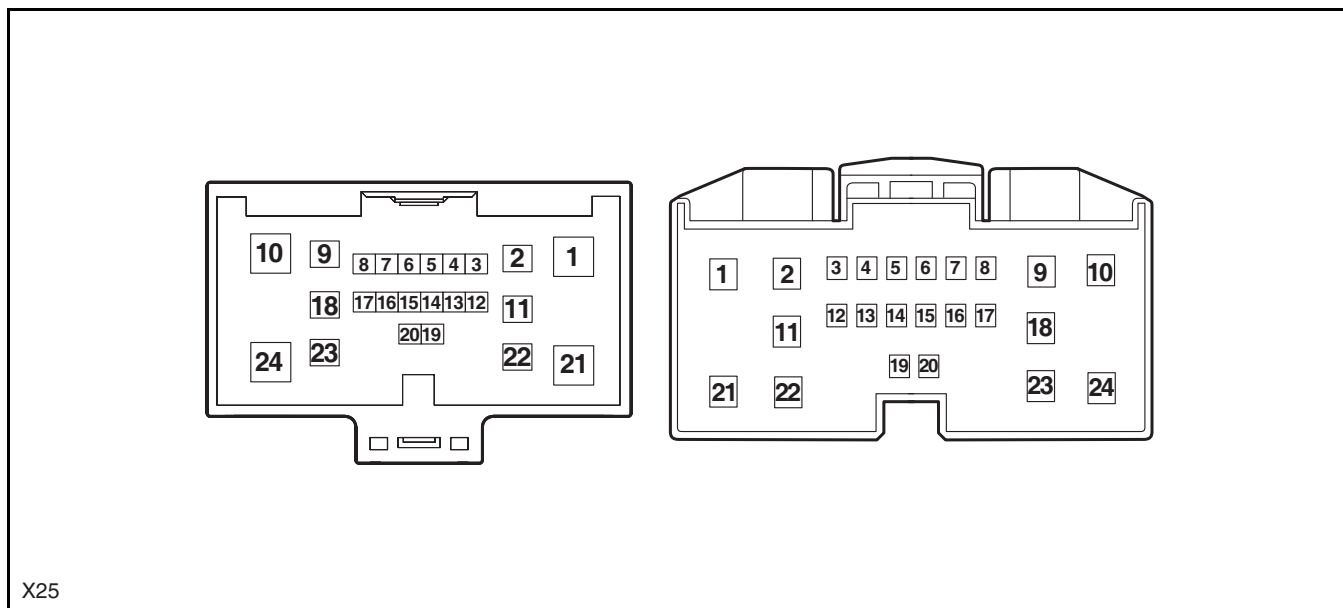
X22 Wiring Harness Connector Pin Definition

Pin No.	Wire Diameter/Color	Function
1	-	-
2	-	-
3	-	-
4	-	-
5	-	-
6	-	-
7	-	-
8	-	-
9	-	-
10	-	-
11	-	-
12	-	-
13	2.5 BK	Grounding
14	-	-
15	0.5 YE	Capacity Switch +
16	0.35 GN	LIN
17	0.5 GN/YE	Capacity Switch -
18	0.35 YE/RD	Antenna Positive
19	0.35 BU/BK	Antenna Negative
20	-	-
21	-	-
22	-	-

Pin No.	Wire Diameter/Color	Function
23	-	-
24	-	-
25	-	-
26	-	-
27	0.35 PK/GN	Atmosphere Lamp +
28	0.5 YE/WH	Right Front Door Lock Motor Negative
29	0.5 RD/WH	Right Front Door Lock Motor Positive
30	-	-
31	-	-
32	0.5 BN/WH	Right Front Door Concealed Handle Switch
33	0.5 VT/BK	Right Front Rearview Mirror Folding
34	0.5 WH/YE	Right Front Rearview Mirror Extending
35	-	-
36	0.5 YE/RD	Right Front Door Concealed Handle Switch
37	0.5 GY	Right Front Door Concealed Handle Switch Motor Positive
38	0.5GY	Heating Element Power Supply
39	0.3 VT	LIN Signal
40	0.35 RD	Constant Power Supply
41	0.5 RD/YE	Background Lamp
42	-	-
43	0.35 LG/BK	Right Rearview Mirror Up-Down Position Sensor
44	0.35 BU/GN	Right Rearview Mirror Horizontal Position Sensor
45	0.35 PK/BU	Left Rearview Mirror Up-Down Adjustment
46	0.5 WH	Right Front Door Concealed Handle Switch Motor Negative
47	2.5 RD/BK	Right Front Door Window Motor (Anti-Pinch) Power Supply
48	-	-
49	0.35 WH/RD	Rearview Mirror Position Sensor Power Supply
50	0.35 RD/BU	Left Rearview Mirror Left-Right Adjustment
51	0.35 VT/WH	Left Blind Spot Indicator Driver
52	0.5 VT	Side Turn Lamp Power Supply
53	0.5 GY/BK	Right Front Woofer -
54	0.5 GY/RD	Right Front Woofer +
55	0.35 VT/GN	Rearview Mirror Adjustment Switch Common End
56	0.35 WH	Rearview Mirror Position Sensor Grounding
57	-	-
58	Coaxial Line	-

Chassis to Engine Compartment (Right 1)

Engine Compartment to Chassis (Right 1)

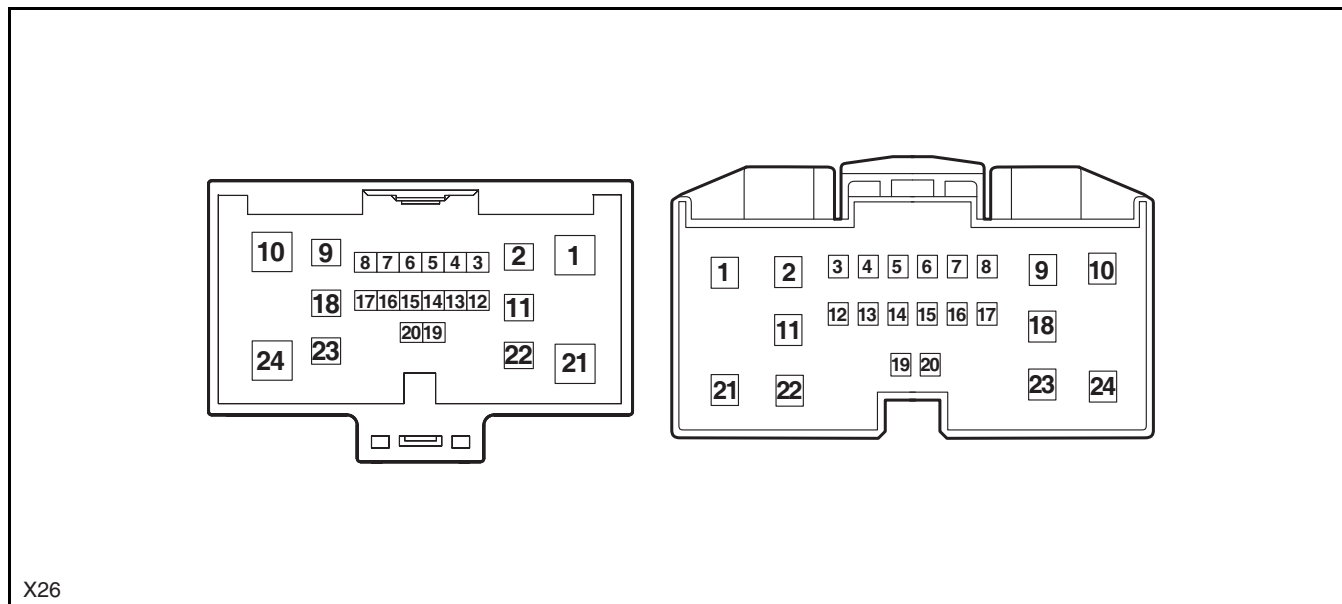
**X25 Wiring Harness Connector Pin Definition**

Pin No.	Wire Diameter/Color	Function
1	2.5 RD/YE	Right Caliper Power Supply
2	-	-
3	0.35 OG/WH	Right Rear Wheel Speed Sensor Power Supply
4	0.35 RD/BU	Left Front Radar Sensor Power Supply
5	0.35 OG	Left Front Radar Sensor
6	-	-
7	-	-
8	0.3 BU/BK	Right Front Radar Sensor
9	-	-
10	-	-
11	-	-
12	0.35 GN/YE	Right Rear Wheel Speed Sensor Signal
13	-	-
14	-	-
15	-	-
16	-	-
17	0.35 WH/BK	Left Front Radar Sensor Grounding
18	2.5 RD/BK	Right Front Door Window Motor (Anti-Pinch) Power Supply
19	-	-
20	-	-
21	2.5 VT	Right Caliper Power Supply
22	-	-

Pin No.	Wire Diameter/Color	Function
23	-	-
24	-	-

Chassis to Engine Compartment (Left 1)

Engine Compartment to Chassis (Left 1)



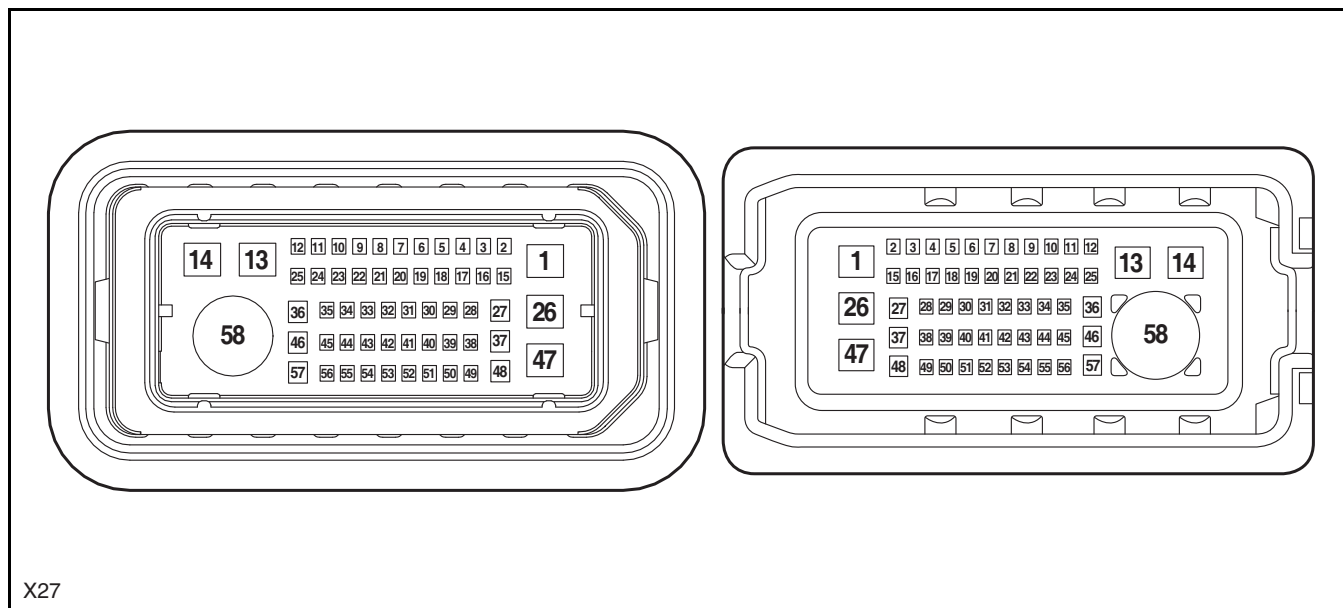
X26 Wiring Harness Connector Pin Definition

Pin No.	Wire Diameter/Color	Function
1	2.5 RD/BU	Left Caliper Power Supply
2	1.5 BU/WH	Variable Displacement Oil Pump Power Supply
3	0.35 PK/GN	Left Rear Wheel Speed Sensor Power Supply
4	0.5 WH	Main Relay Power Supply
5	0.5 BU/WH	Carbon Canister Stop Valve
6	0.5 GY/BK	Fuel Tank Pressure Sensor Power Supply
7	0.5 PK/BU	Fuel Tank Pressure Sensor Signal Output
8	0.5 GN/BU	Fuel Tank Pressure Sensor Signal Grounding
9	1.5 WH/RD	Rear Wiper Operation
10	2.5 BN	Electric Power
11	1.5 YE	External Power Amplifier Constant Power Supply
12	0.35 GY/OG	Left Rear Wheel Speed Sensor Signal
13	0.5GY	Heating Element Power Supply
14	-	-
15	-	-
16	0.5 WH/VT	IG1 Power Supply (Russia)
17	-	-
18	2.5 YE/BK	Left Rear Door Window Motor (Anti-Pinch) Power Supply

Pin No.	Wire Diameter/Color	Function
19	-	-
20	-	-
21	2.5 YE	Left Caliper Power Supply
22	-	-
23	2.5 VT	Rear Defroster Power Supply
24	-	-

Chassis to Left Front Door

Left Front Door to Chassis



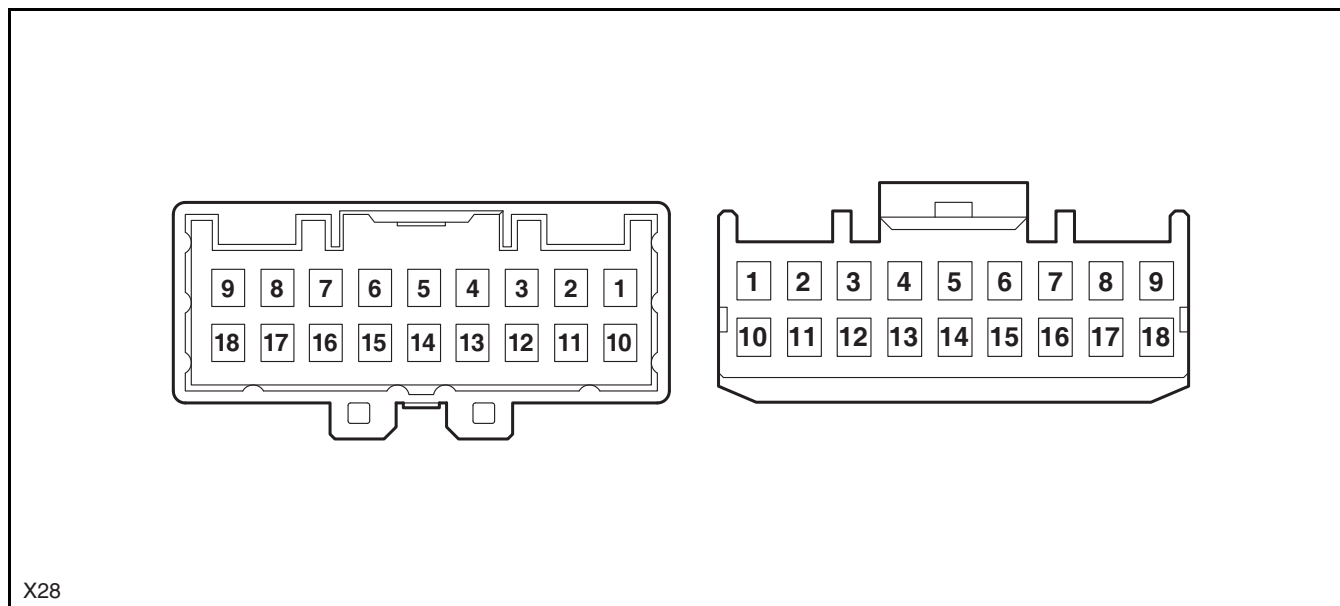
X27 Wiring Harness Connector Pin Definition

Pin No.	Wire Diameter/Color	Function
1	-	-
2	-	-
3	-	-
4	-	-
5	-	-
6	-	-
7	-	-
8	-	-
9	-	-
10	0.35 OG/WH	Left Front Door Window Switch Signal
11	0.35 BU/GN	Left Front Door Window Switch Signal
12	0.35 LG/BK	Left Front Door Window Switch Signal
13	2.5 BK	Grounding
14	-	-
15	0.5 GN/OG	Left Front Door Concealed Handle Switch
16	0.35 GN	Left Front Door Window Signal
17	0.5 GN/YE	Left Front Door Concealed Handle Switch Input
18	0.35 BN	Left Side Antenna Signal
19	0.35 BU/BK	Left Side Antenna Signal
20	0.5 OG	Left Front Door Window Switch Power Supply
21	-	-
22	-	-

Pin No.	Wire Diameter/Color	Function
23	-	-
24	-	-
25	-	-
26	-	-
27	0.5 VT/GN	Left Front Door Concealed Handle Switch Signal
28	0.5 GY/RD	Left Front Door Lock Motor Signal
29	0.5 RD/WH	Door Lock Motor Power Supply
30	0.35 RD/BK	Left Front Door Lock Motor Signal
31	0.3 PK	Seat Memory Switch
32	0.5 PK/BU	Left Front Door Concealed Handle Switch
33	0.5 VT/BU	Rearview Mirror Folding
34	0.5 WH/YE	Rearview Mirror Extending
35	0.35 YE/BK	Seat Memory Switch Signal
36	0.5 LG/BK	Left Front Door Concealed Handle Switch
37	0.5 GY/BK	Left Front Door Concealed Handle Switch Power Supply
38	0.5 GY	Left Front Rearview Mirror Power Supply
39	0.3 VT	Atmosphere Lamp Signal
40	0.3 RD	Atmosphere Lamp Power Supply
41	0.5 RD/YE	Background Lamp Signal
42	0.35 VT/WH	Seat Memory Switch Signal
43	0.35 BN/WH	Left Front Rearview Mirror Signal
44	0.35 BU/WH	Left Front Rearview Mirror Signal
45	0.35 BK/WH	Left Front Rearview Mirror Up-Down Adjustment
46	0.5 YE/WH	Left Front Door Concealed Handle Switch Power Supply
47	2.5 YE/BK	Window Motor Power Supply
48	-	-
49	0.35 WH/RD	Rearview Mirror Adjustment
50	0.35 BU	Left Front Rearview Mirror Left-Right Adjustment
51	0.35 GN/RD	Left Blind Spot Indicator
52	0.5 GN/WH	Front Turn Lamp Signal
53	0.5 WH/BK	Left Front Speaker +
54	0.5 VT/BK	Left Front Speaker -
55	0.35 VT/GN	Left Front Rearview Mirror Adjustment
56	0.35 WH	Rearview Mirror Adjustment
57	-	-
58	-	-

Chassis to Left Rear Door

Left Rear Door to Chassis

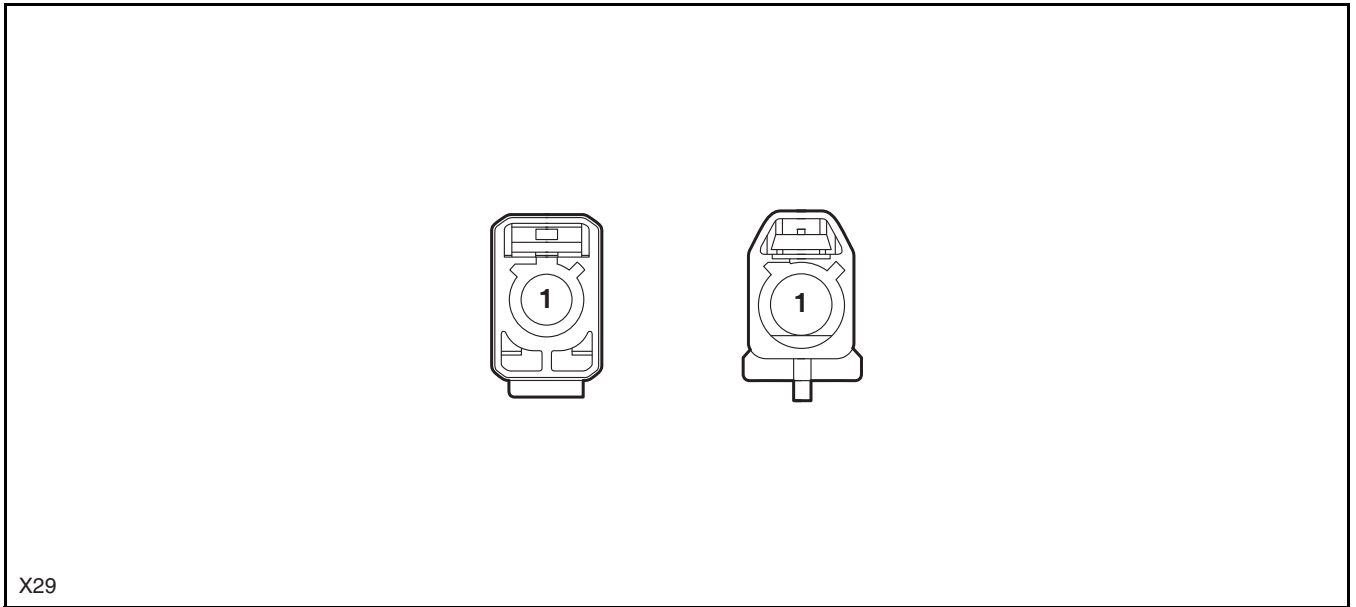


X28 Wiring Harness Connector Pin Definition

Pin No.	Wire Diameter/Color	Function
1	2.5 YE/BK	Window Motor Anti-Pinch Power Supply
2	0.3 WH/GN	Concealed Door Handle Switch Left Rear Signal
3	0.3 RD/BK	Concealed Door Handle Switch Left Rear Signal
4	0.5 PK/WH	Left Rear Speaker +
5	0.5 RD/GN	Left Rear Speaker -
6	-	-
7	-	-
8	0.5 RD/YE	Backlight Power Supply
9	-	-
10	0.5 YE/WH	Left Rear Door Lock Motor Signal
11	0.5 RD/WH	Left Rear Door Lock Motor Power Supply
12	0.3 GN	Window Motor Anti-Pinch Signal
13	-	-
14	2.5 BK	Grounding
15	0.3 PK/GN	Concealed Door Handle Switch Signal
16	0.5 WH	Concealed Door Handle Switch Power Supply
17	0.5 GY	Concealed Door Handle Switch Power Supply
18	-	-

Chassis to Back Door (Streaming Camera)

Back Door to Chassis (Streaming Camera)

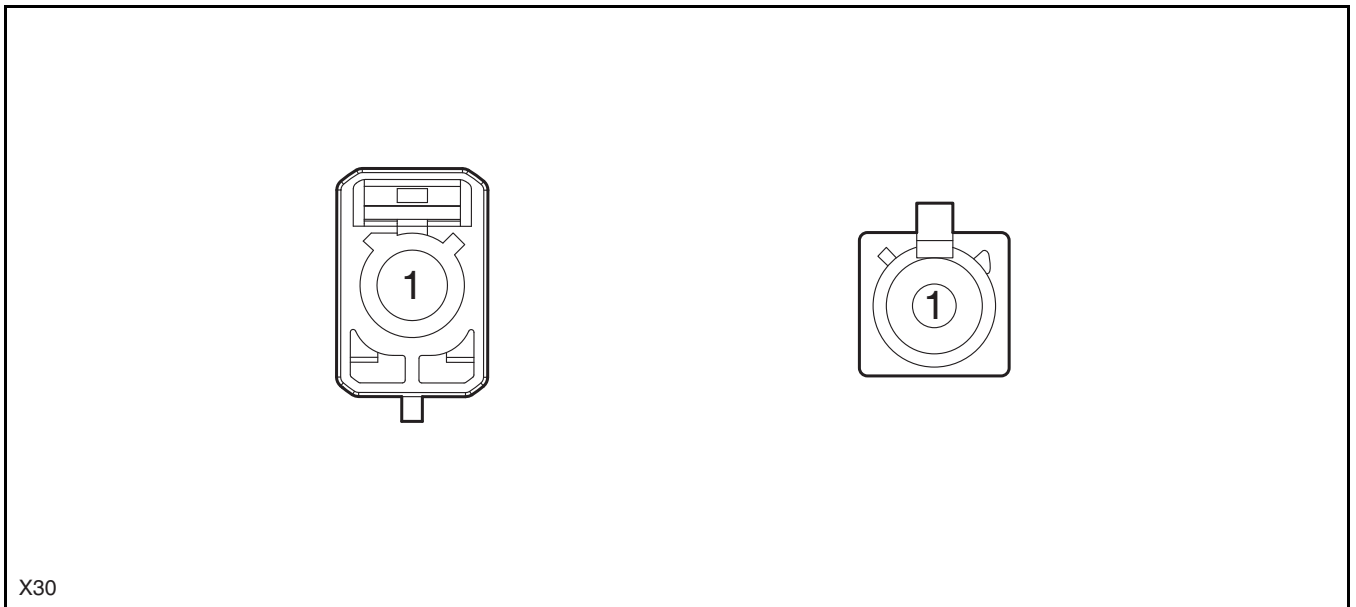


X29 Wiring Harness Connector Pin Definition

Pin No.	Wire Diameter/Color	Function
1	-	Streaming Camera Signal

Chassis to Back Door (Rear Camera)

Back Door to Chassis (Rear Camera)

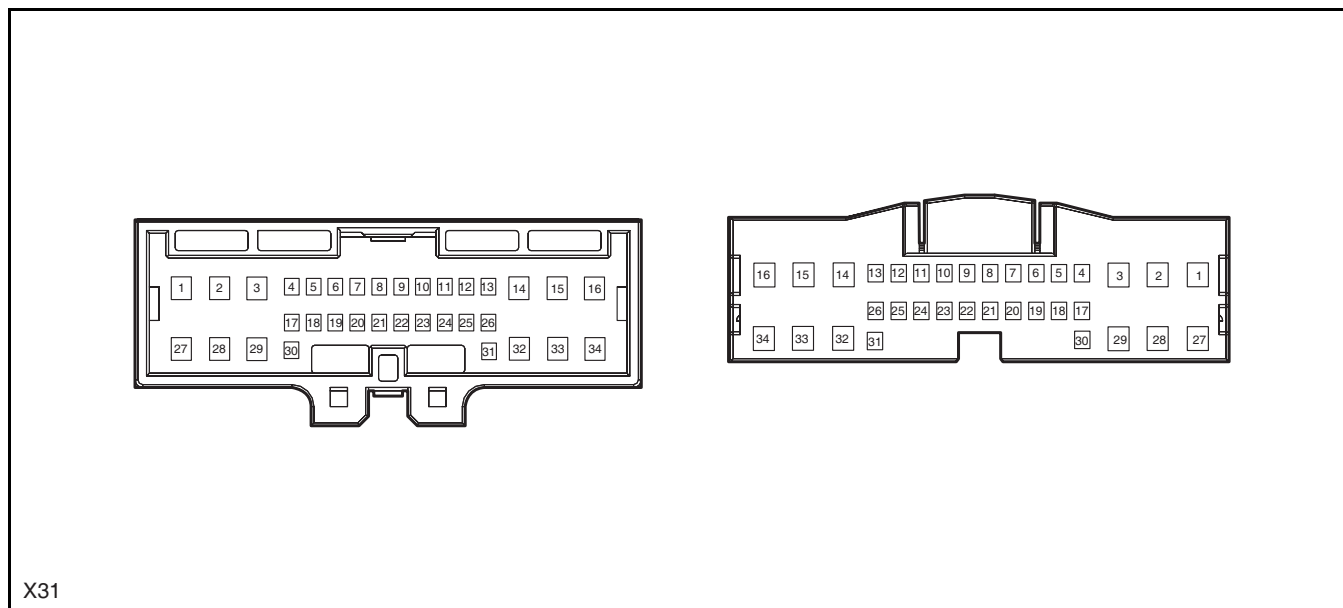


X30 Wiring Harness Connector Pin Definition

Pin No.	Wire Diameter/Color	Function
1	-	Rear Camera Signal

Chassis to Back Door

Back Door to Chassis



X31

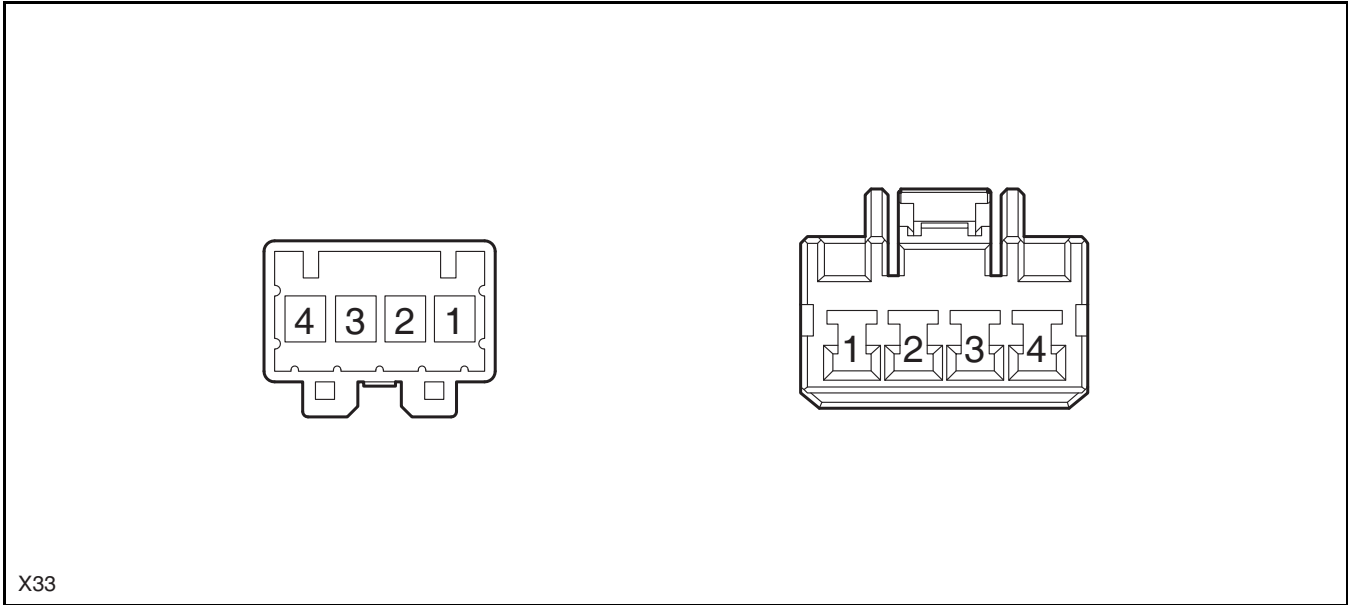
X31 Wiring Harness Connector Pin Definition

Pin No.	Wire Diameter/Color	Function
1	-	-
2	1.5 WH/RD	Rear Wiper Motor Power Supply
3	-	-
4	0.35 PK/BK	Rear Wiper Motor Input
5	0.5 GN/WH	Left Turn Lamp Input
6	0.35 WH/BK	Tail Turn Lamp Signal
7	0.5 VT/WH	Tail Left Position Lamp Signal
8	-	-
9	0.35 RD/GN	License Plate Lamp Signal
10	0.5 VT	Left/Right Tail Turn Lamp Signal
11	-	-
12	0.5 OG/BK	Back Door Buzzer
13	-	-
14	-	-
15	0.75 OG	Motor Drive Lock Self-engagement
16	2.5 BK	Grounding
17	-	-
18	-	-
19	-	-
20	-	-
21	0.35 WH/BU	High Mounted Brake Lamp Signal
22	0.35 BN/WH	Lock Inside Drive Mechanical Reset Signal

Pin No.	Wire Diameter/Color	Function
23	0.35 GN/RD	Full Lock Position Judgement
24	0.35 OG	Half Lock Position Judgement
25	-	-
26	0.5 BN	Front Position Lamp Signal
27	2.5 VT	Rear Defroster Power Supply
28	-	-
29	-	-
30	0.35 RD/YE	Back Door Close Switch Background Lamp Input
31	0.35 GY/GN	Back Door Close Switch Signal
32	-	-
33	0.75 GN	Motor Driver Unlock
34	2.5 BK	Grounding

Chassis to Left EPB

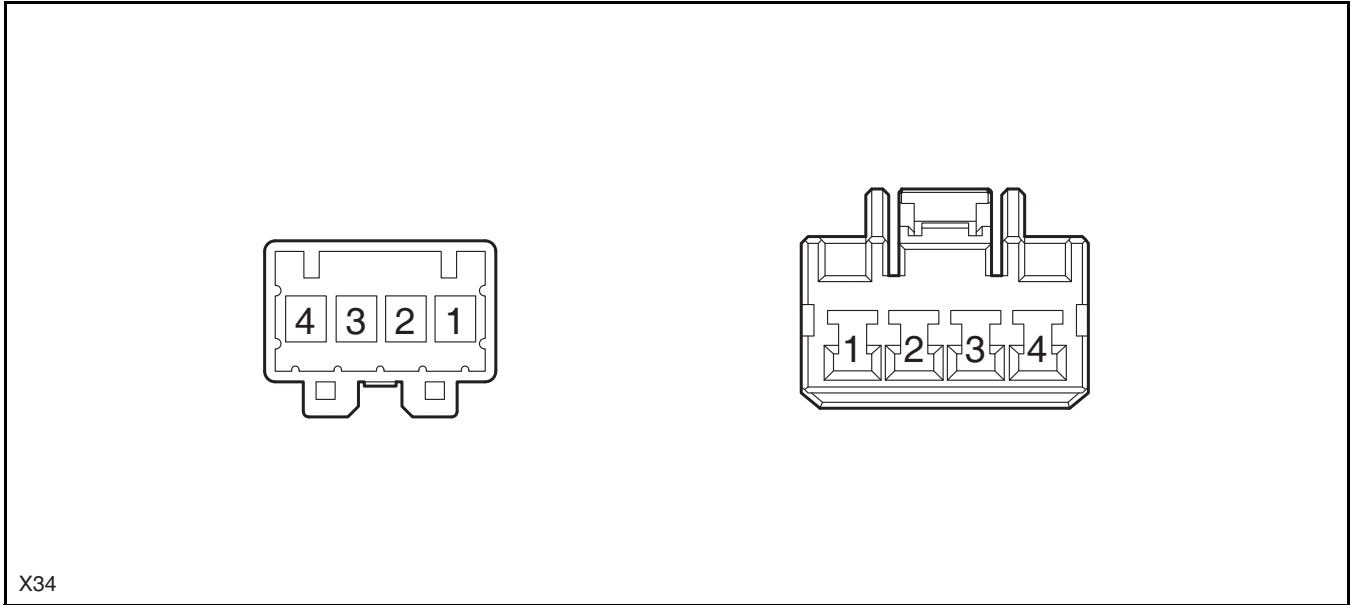
Left EPB to Chassis

**X33 Wiring Harness Connector Pin Definition**

Pin No.	Wire Diameter/Color	Function
1	2.5 YE	Left Caliper Brake
2	2.5 RD/BU	Left Caliper Release
3	0.35 PK/GN	Left Rear Wheel Speed Sensor Grounding
4	0.35 GY/OG	Left Rear Wheel Speed Sensor Power Supply

Chassis to Right EPB

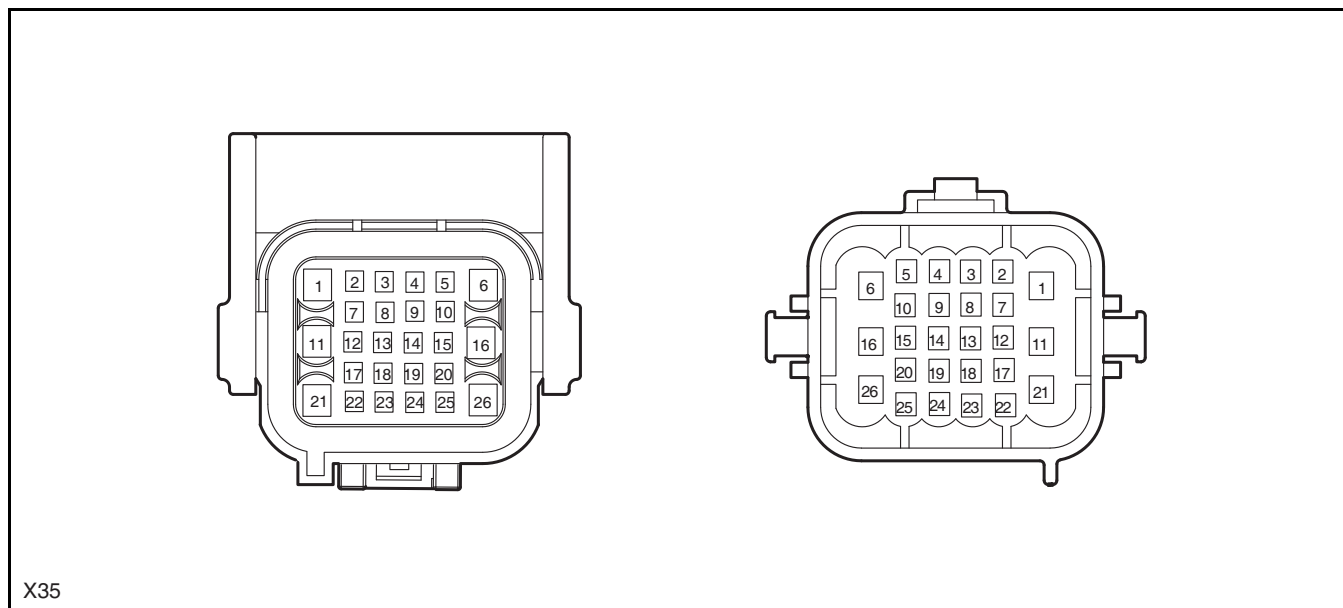
Right EPB to Chassis

**X34 Wiring Harness Connector Pin Definition**

Pin No.	Wire Diameter/Color	Function
1	2.5 VT	Right Caliper Brake
2	2.5 RD/YE	Right Caliper Release
3	0.35 OG/WH	Right Rear Wheel Speed Sensor Grounding
4	0.35 GN/YE	Right Rear Wheel Speed Sensor Power Supply

Chassis to Rear Bumper

Rear Bumper to Chassis



X35

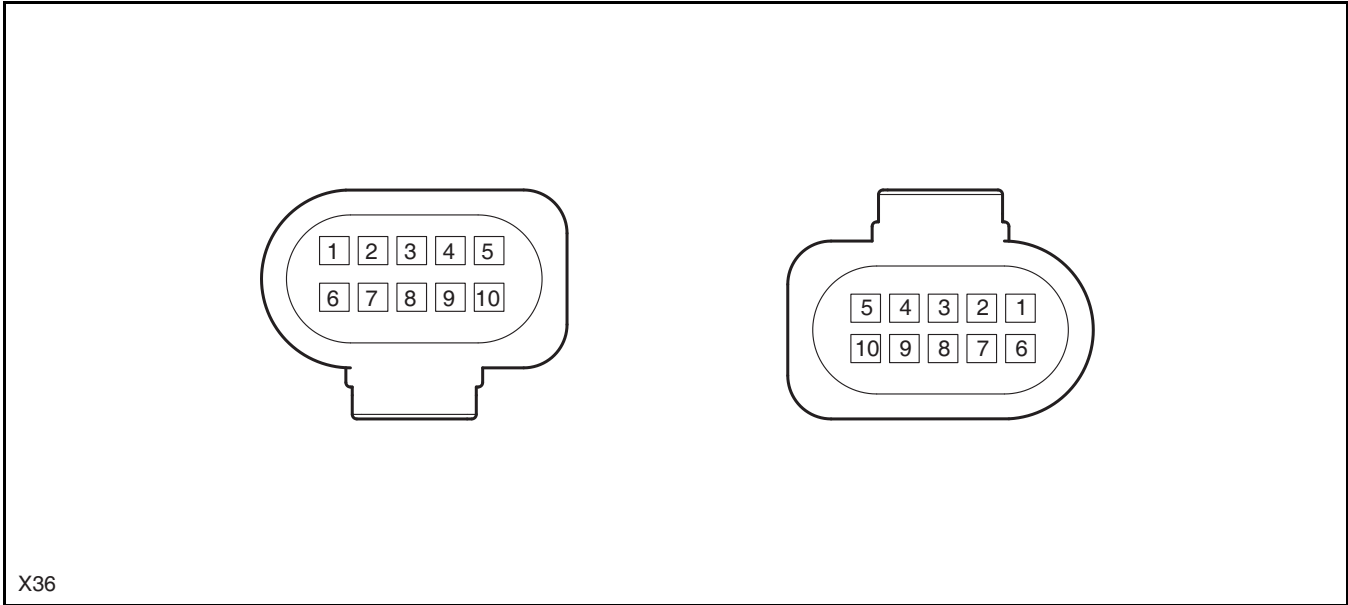
X35 Wiring Harness Connector Pin Definition

Pin No.	Wire Diameter/Color	Function
1	0.5 BK/WH	Reversing Lamp Signal
2	0.3 GN/WH	Inside Rear Antenna Signal
3	0.3 BU/BK	Inside Rear Antenna Signal
4	0.03 GN/BU	Left Rear Reversing Radar Sensor Signal
5	0.3 OG/BK	Left Middle Rear Reversing Radar Sensor Signal
6	0.5 VT/GN	Rear Fog Lamp Signal
7	0.3 GN/RD	Right Rear Reversing Radar Sensor Signal
8	0.3 GN/YE	Right Middle Rear Reversing Radar Sensor Signal
9	0.3 WH/RD	Reversing Radar Sensor Power Supply
10	0.3 WH	Reversing Radar Sensor Grounding
11	0.5 BK	Grounding
12	0.3 RD/BK	Kick Sensor Power Supply
13	0.3 YE/BK	Kick Sensor Signal
14	0.3 BU/YE	CAN-L
15	0.3 BU	CAN-H
16	0.5 RD	Side Assist Controller Constant Power Supply
17	-	-
18	-	-
19	-	-
20	-	-
21	0.5 OG	Side Assist Controller IG1
22	0.3 BU/YE	CAN-H

Pin No.	Wire Diameter/Color	Function
23	0.3 BU	CAN-L
24	-	-
25	-	-
26	-	-

Engine to Fuel Injector Wiring Harness

Fuel Injector to Engine Wiring Harness



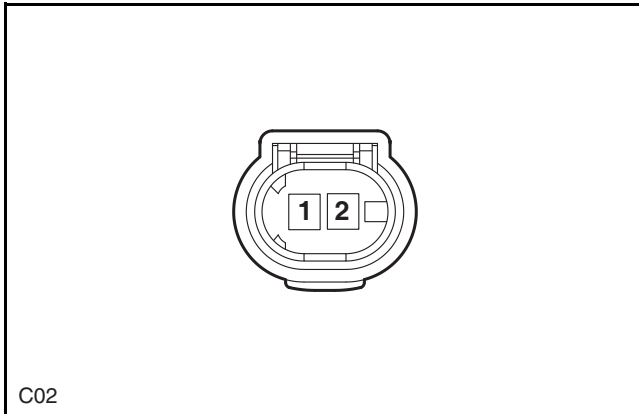
X36

X36 Wiring Harness Connector Pin Definition

Pin No.	Wire Diameter/Color	Function
1	0.85 BU/BK	Cylinder 1 Fuel Injector Power Supply
2	0.85 RD/YE	Cylinder 1 Fuel Injector Control Signal
3	0.85 RD/GN	Cylinder 2 Fuel Injector Power Supply
4	0.85 YE/RD	Cylinder 2 Fuel Injector Control Signal
5	0.85 BN/WH	Cylinder 3 Fuel Injector Power Supply
6	0.85 WH/RD	Cylinder 3 Fuel Injector Control Signal
7	0.85 GY/BK	Cylinder 4 Fuel Injector Power Supply
8	0.85 BK/YE	Cylinder 4 Fuel Injector Control Signal
9	-	-
10	-	-

Engine Compartment Wiring Harness Connector (C--)

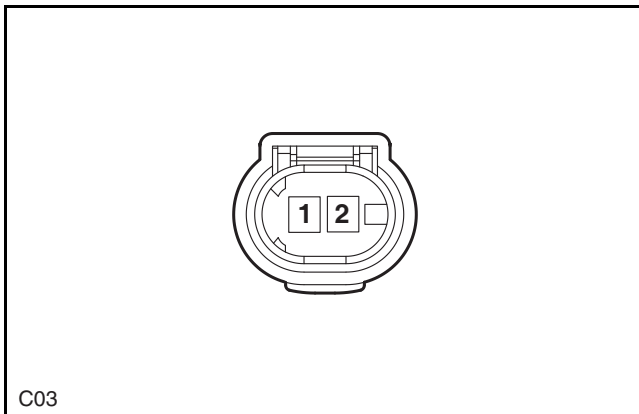
Battery Sensor



C02 Wiring Harness Connector Pin Definition

Pin No.	Wire Diameter/Color	Function
1	0.5 OG/WH	Battery Power Supply
2	0.35 PK	LIN Signal

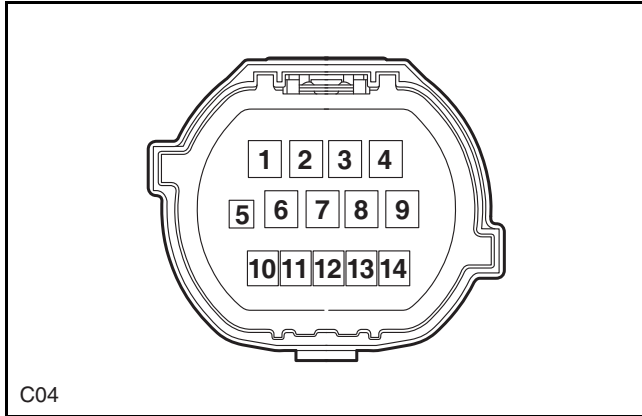
Wheel Speed Sensor - Left Front



C03 Wiring Harness Connector Pin Definition

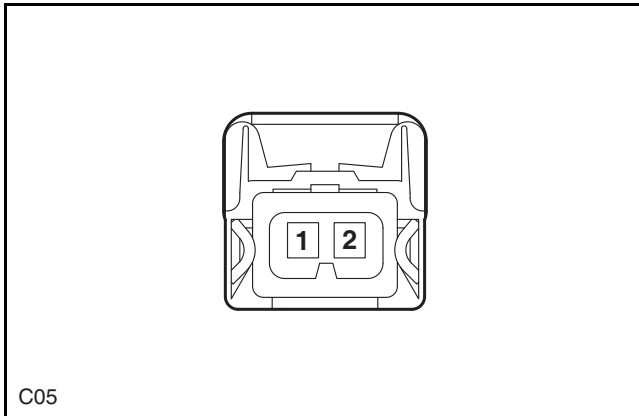
Pin No.	Wire Diameter/Color	Function
1	0.35 GN/OG	Left Front Wheel Speed Sensor Power Supply
2	0.35 GN/BU	Left Front Wheel Speed Sensor Grounding

Left Front Combination Lamp

**C04 Wiring Harness Connector Pin Definition**

Pin No.	Wire Diameter/Color	Function
1	-	-
2	1.0 BK	High/Low Beam Grounding
3	1.0 YE	High/Low Beam Power Supply
4	0.35 BU/GN	High Beam Signal
5	0.5 BN	Position Lamp +
6	0.5 BK	Auxiliary Low Beam/Turn Lamp Grounding
7	0.5 BU/RD	Daytime Running Lamp
8	-	-
9	-	-
10	0.35 BK	Light Adjustment Motor Grounding
11	0.35 GY	Light Adjustment Motor Signal
12	0.35 YE	Light Adjustment Motor Positive
13	0.35 WH	Turn Diagnosis
14	0.5 GN/WH	Left Turn Lamp Positive

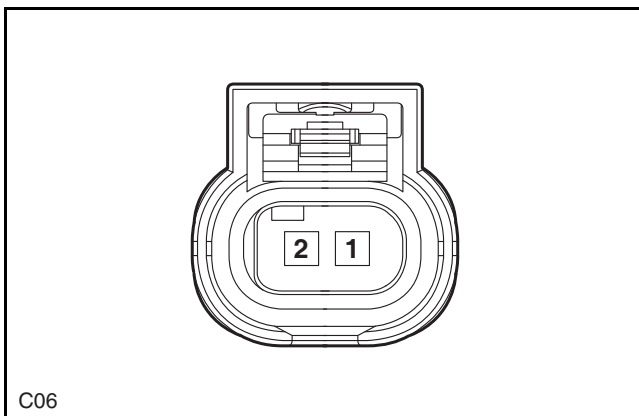
Electric Horn - 1



C05 Wiring Harness Connector Pin Definition

Pin No.	Wire Diameter/Color	Function
1	0.75 WH	Horn Positive
2	0.75 BK	Horn Negative

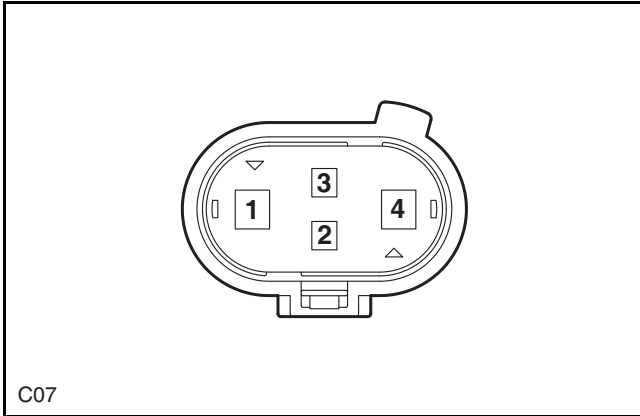
Left Front Collision Sensor



C06 Wiring Harness Connector Pin Definition

Pin No.	Wire Diameter/Color	Function
1	0.5 VT/BK	Front Collision Sensor Positive
2	0.5 VT/GN	Front Collision Sensor Negative

Cooling Fan

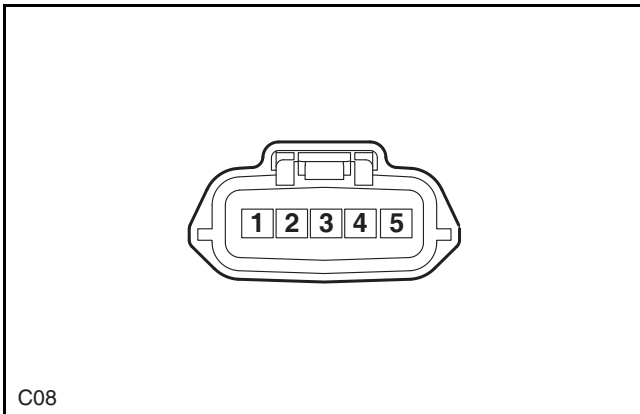


C07

C07 Wiring Harness Connector Pin Definition

Pin No.	Wire Diameter/Color	Function
1	5.0 BK	Grounding
2	4.0 GN	Low Speed Fan
3	5.0 WH/BK	Middle Speed Fan
4	6.0 RD	High Speed Fan

Front Wiper Motor

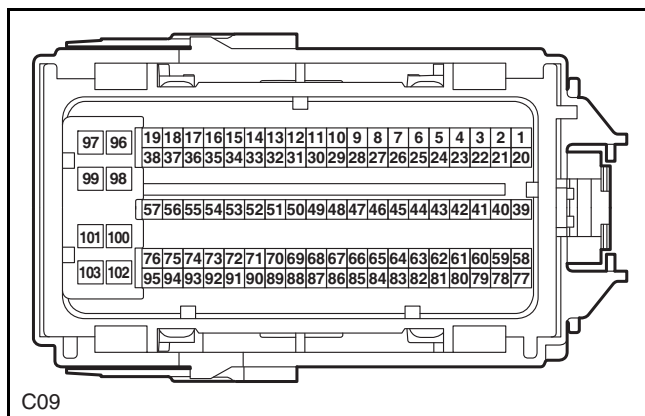


C08

C08 Wiring Harness Connector Pin Definition

Pin No.	Wire Diameter/Color	Function
1	1.5 WH/BK	High Speed
2	1.5 BU	Low Speed
3	-	-
4	0.35 RD/BU	Reset
5	1.5 BK	Grounding

ECU-B



C09 Wiring Harness Connector Pin Definition

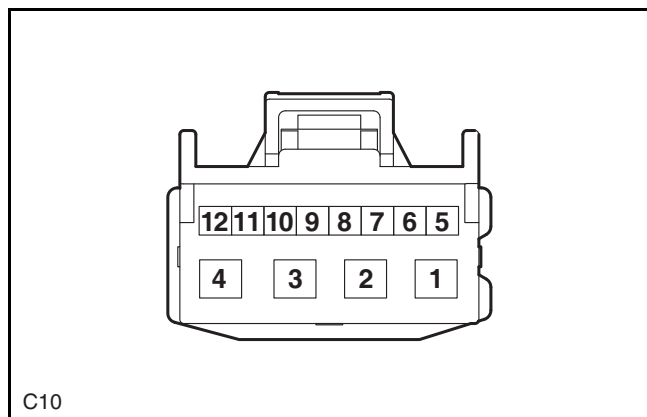
Pin No.	Wire Diameter/Color	Function
1	0.35 GN/BK	Starting Motor Low Side Control
2	0.5 YE	Cooling Fan Relay Signal (Medium Speed)
3	-	-
4	-	-
5	0.5 RD/YE	Electric Auxiliary Water Pump
6	0.5 YE/BN	Main Relay
7	-	-
8	0.5 YE/GN	Switch Oxygen Sensor
9	0.35 BK	GPF Temperature Sensor Grounding/Brake Vacuum Sensor Grounding
10	-	-
11	-	-
12	-	-
13	0.35 BN/WH	Accelerator Pedal Position Sensor 1 Grounding
14	0.35 OGWH	Brake Vacuum Sensor Power Supply
15	0.35 PK/GN	Accelerator Pedal Position Sensor 1 Power Supply
16	0.35 PK/BK	Accelerator Pedal Position Sensor 2 Power Supply
17	-	-
18	-	-
19	-	-
20	0.35 BU/GN	Starting Motor Low Side Control
21	0.5 VT/WH	Cooling Fan Relay Signal (High Speed)
22	-	-
23	0.5 GN/RD	Carbon Canister Control Valve
24	0.35 GY	A/C Compressor Relay
25	0.5 BU	Air Intake Pressure Discharge Control Valve
26	0.35 WH/RD	Low Pressure Oil Pump Relay

Pin No.	Wire Diameter/Color	Function
27	-	-
28	0.5 YE/WH	Switch Oxygen Sensor Grounding
29	0.35 YE/BK	Accelerator Pedal Position Sensor 2 Grounding
30	0.35 WH/BU	Brake Vacuum Sensor Signal
31	0.35YE/RD	Accelerator Pedal Position Sensor 1
32	-	-
33	0.35 WH/GN	Medium Voltage Signal
34	-	-
35	0.35 GY/OG	GPF Temperature Sensor Signal
36	-	-
37	-	-
38	-	-
39	0.5 GN/YE	Cooling Fan Relay Signal (Low Speed)
40	0.5 BN	Central Electromagnet Signal (Exhaust)
41	0.5 PK	Central Electromagnet Signal (Intake)
42	-	-
43	-	-
44	-	-
45	-	-
46	0.5 WH/YE	Ignition Switch
47	0.5 VT/GN	LIN Bus
48	0.5 WH/BK	Linear Oxygen IP
49	0.5 RD/GN	Linear Oxygen VM
50	-	-
51	0.35 GY/GN	Accelerator Pedal Position Sensor 2
52	-	-
53	-	-
54	-	-
55	0.5 GN/VT	Brake Lamp Switch Signal
56	0.5 PK/BU	Brake Switch
57	0.75 RD/BU	Starting Motor Feedback Signal
58	0.5 BU/WH	Carbon Canister Stop Valve
59	0.5 WH	Oil Pump Assembly
60	0.5 GN/WH	Electronic Thermostat 20T
61	0.5 OG/BK	Switch Oxygen Heater
62	0.75 VT	Liner Oxygen Heater
63	0.5 RD/BK	Continuous Power Supply
64	0.35 LG/BK	Refresh and Body CAN Low

Pin No.	Wire Diameter/Color	Function
65	0.35 LG	Refresh and Body CAN High
66	-	-
67	0.5 OG	Liner Oxygen
68	-	-
69	-	-
70	-	-
71	-	-
72	-	-
73	-	-
74	-	-
75	-	-
76	-	-
77	-	-
78	-	-
79	-	-
80	-	-
81	-	-
82	-	-
83	-	-
84	-	-
85	-	-
86	-	-
87	-	-
88	-	-
89	-	-
90	-	-
91	-	-
92	-	-
93	-	-
94	-	-
95	-	-
96	1 BK	ECU Grounding 4
97	1 BK	ECU Grounding 3
98	1 BK	ECU Grounding 2
99	1 BK	ECU Grounding 1
100	1 YE	Main Relay Power Supply 1
101	1 YE	Main Relay Power Supply 2
102	1 YE	Main Relay Power Supply 3

Pin No.	Wire Diameter/Color	Function
103	1 YE	Main Relay Power Supply 4

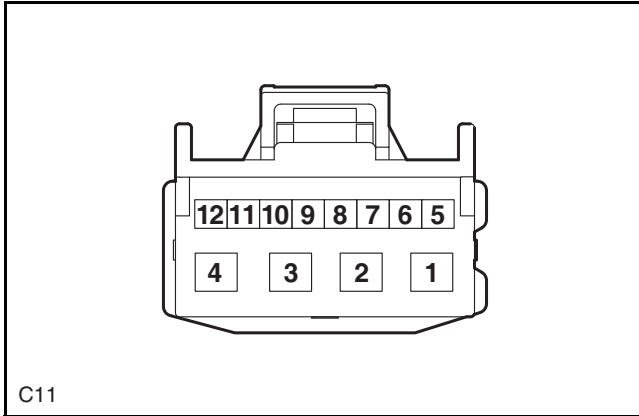
Electronic Shift Actuator Controller B



C10 Wiring Harness Connector Pin Definition

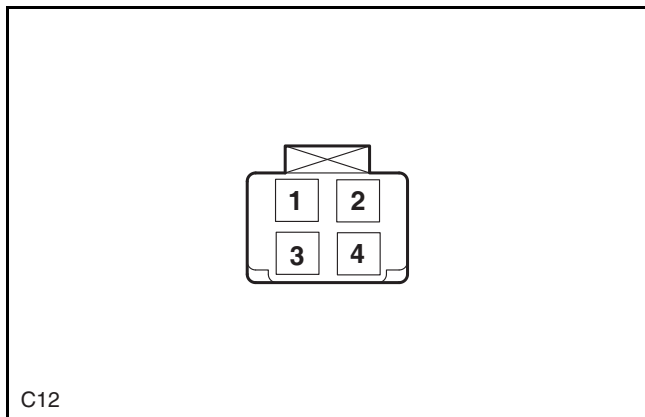
Pin No.	Wire Diameter/Color	Function
1	1 BU	Shift Actuator Motor Positive
2	-	-
3	-	-
4	1 GN	Shift Actuator Motor Negative
5	-	-
6	0.35 RD/BU	5V Power Supply
7	0.35 GY	Grounding
8	0.35 BK/WH	Position Feedback Signal
9	-	-
10	-	-
11	-	-
12	-	-

Electronic Shift Actuator Controller A

**C11 Wiring Harness Connector Pin Definition**

Pin No.	Wire Diameter/Color	Function
1	0.75 RD	Battery Power Supply
2	0.75 RD	Battery Power Supply
3	0.75 BK	Grounding
4	0.75 BK	Grounding
5	-	-
6	-	-
7	0.5 RD	IGN Power Supply
8	-	-
9	0.35 LG/BK	Vehicle CAN Low -
10	0.35 LG	Vehicle CAN High
11	-	-
12	-	-

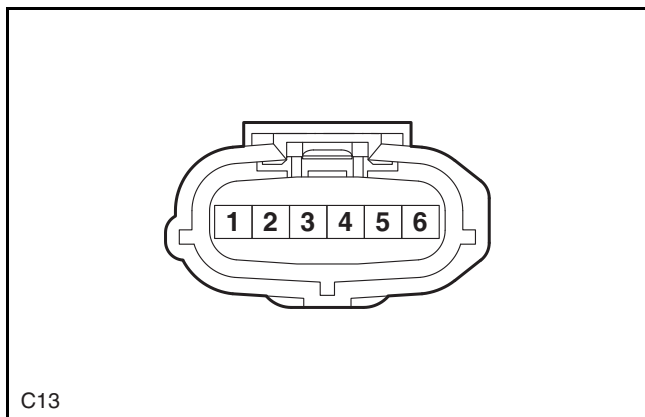
Brake Switch



C12 Wiring Harness Connector Pin Definition

Pin No.	Wire Diameter/Color	Function
1	0.5 PK/BU	Brake Switch Signal
2	0.5 WH/GN	Main Relay Power Supply
3	0.5 GN/VT	Brake Lamp Switch Signal
4	0.5 RD	Battery Power Supply

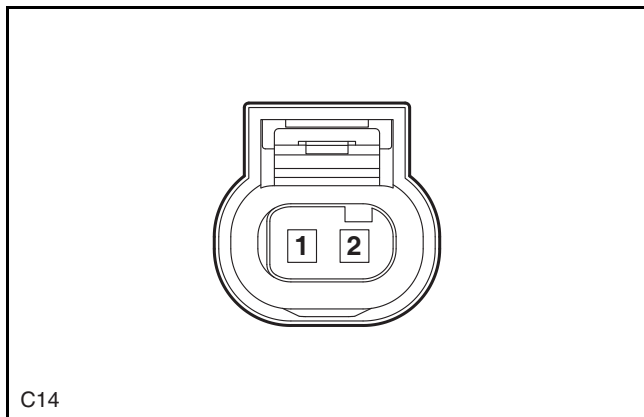
Accelerator Pedal Position Sensor



C13 Wiring Harness Connector Pin Definition

Pin No.	Wire Diameter/Color	Function
1	0.35 PK/GN	Accelerator Pedal Position Sensor 1 Power Supply
2	0.35 YE/RD	Accelerator Pedal Position Sensor 1
3	0.35 BN/WH	Accelerator Pedal Position Sensor 1 Grounding
4	0.35 YE/BK	Accelerator Pedal Position Sensor 2 Grounding
5	0.35 GY/GN	Accelerator Pedal Position Sensor 2
6	0.35 PK/BK	Accelerator Pedal Position Sensor 2 Power Supply

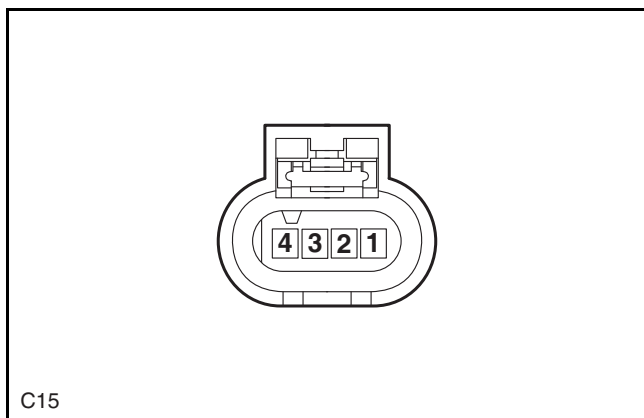
GPF Temperature Sensor



C14 Wiring Harness Connector Pin Definition

Pin No.	Wire Diameter/Color	Function
1	0.35 GY/OG	GPF Temperature Sensor Signal
2	0.35 BK/WH	GPF Temperature Sensor Grounding/Brake Vacuum Sensor Grounding

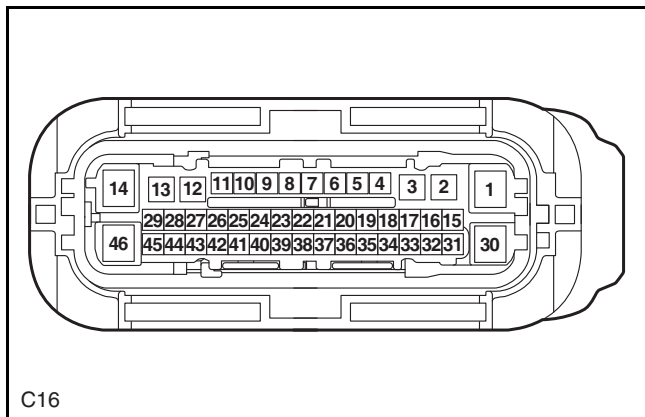
GPF Differential Pressure Sensor



C15 Wiring Harness Connector Pin Definition

Pin No.	Wire Diameter/Color	Function
1	0.5 GN	2nd GPF Differential Pressure Sensor
2	0.5 OG	Sensor Grounding
3	0.5 YE	1st GPF Differential Pressure Sensor
4	0.5 WH	Power Supply

EPBI Controller

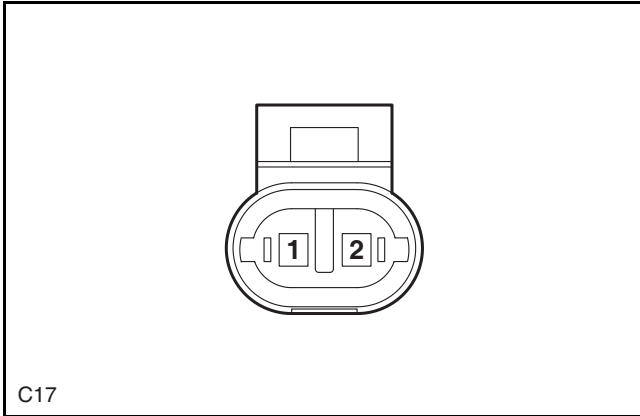


C16 Wiring Harness Connector Pin Definition

Pin No.	Wire Diameter/Color	Function
1	5 RD	EPBI Motor Power Supply
2	2.5 VT	Right Caliper Power Supply
3	2.5 RD/YE	Right Caliper Power Supply
4	-	-
5	0.35 LG	CAN High
6	-	-
7	0.35 GN/BU	Left Front Wheel Speed Sensor Signal
8	0.35 BU/WH	AVH Switch Indicator
9	-	-
10	-	-
11	-	-
12	2.5 RD/BU	Left Caliper Power Supply
13	2.5 YE	Left Caliper Power Supply
14	4 BK	Motor, Valve and ECU Grounding
15	0.35 WH/BK	EPB Switch 3
16	0.35 GN/RD	EPB Switch 6
17	-	-
18	0.35 YE	EPB Switch Indicator
19	0.35 LG/BK	CAN Low
20	-	-
21	0.35 RD/BU	Right Front Wheel Speed Sensor Power Supply
22	0.35 OG/WH	Right Rear Wheel Speed Sensor Power Supply
23	0.35 GY/OG	Left Rear Wheel Speed Sensor Signal
24	0.35 GN/OG	Left Front Wheel Speed Sensor Power Supply
25	-	-
26	0.35 GN/WH	Right Front Wheel Speed Sensor Signal

Pin No.	Wire Diameter/Color	Function
27	-	-
28	-	-
29	-	-
30	4 RD/WH	Caliper and Valve Power Supply
31	0.35 WH/RD	EPB Switch 1
32	0.35 YE/RD	EPB Switch 4
33	-	-
34	-	-
35	-	-
36	0.5 OG/BK	IG1 Power Supply
37	0.35 GN/YE	Right Rear Wheel Speed Sensor Signal
38	-	-
39	0.35 PK/GN	Left Rear Wheel Speed Sensor Power Supply
40	-	-
41	0.35 RD/BK	AVH Switch
42	-	-
43	-	-
44	-	-
45	-	-
46	4 BK	Caliper and Valve Grounding

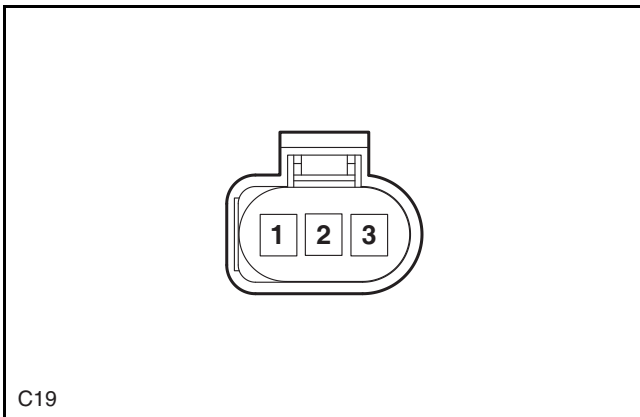
Brake Fluid Level Sensor



C17 Wiring Harness Connector Pin Definition

Pin No.	Wire Diameter/Color	Function
1	0.35 GN/OG	Brake Fluid Level Sensor Signal
2	0.35 BK	Grounding

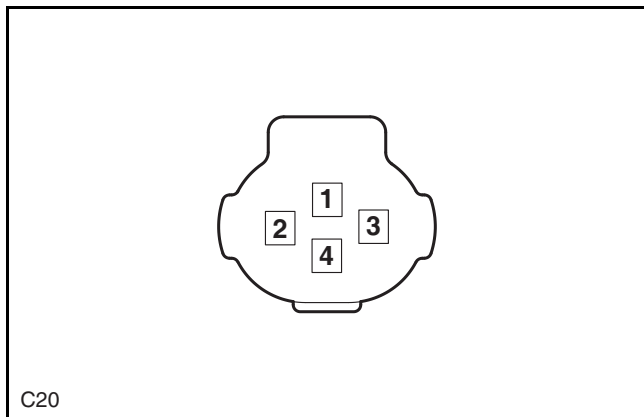
Vacuum Pressure Sensor



C19 Wiring Harness Connector Pin Definition

Pin No.	Wire Diameter/Color	Function
1	0.35 OG/WH	Power Supply
2	0.35 BK/WH	Signal
3	0.35 WH/BU	Sensor Grounding

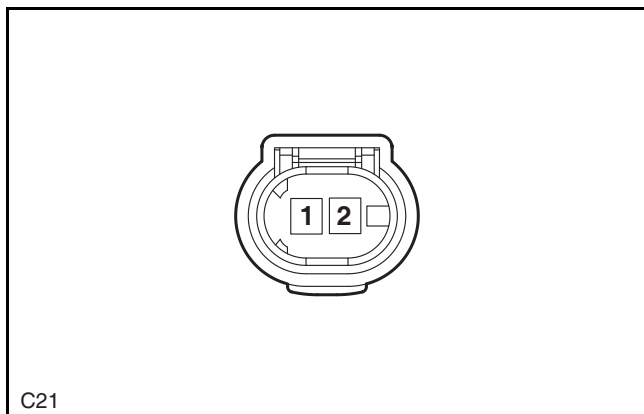
Refrigerant Pressure Sensor



C20 Wiring Harness Connector Pin Definition

Pin No.	Wire Diameter/Color	Function
1	0.35 BK	Grounding
2	0.35 BK	Grounding
3	0.35 WH/GN	Medium Voltage Signal (To ECU)
4	0.35 VT	To A/C Controller

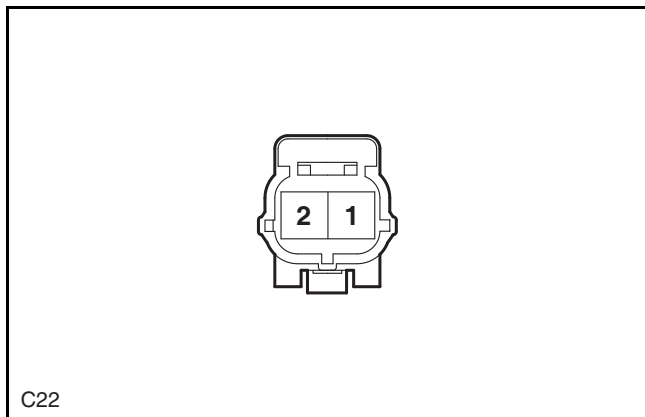
Wheel Speed Sensor - Right Front



C21 Wiring Harness Connector Pin Definition

Pin No.	Wire Diameter/Color	Function
1	0.35 RD/BU	Right Front Wheel Speed Sensor Power Supply
2	0.35 GN/WH	Right Front Wheel Speed Sensor Grounding

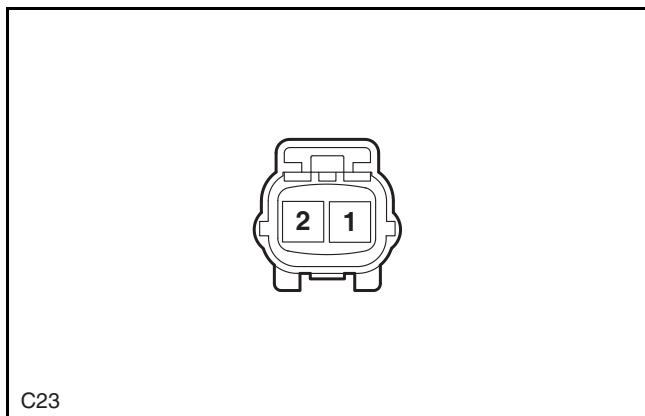
Front Washer Motor



C22 Wiring Harness Connector Pin Definition

Pin No.	Wire Diameter/Color	Function
1	0.75 BK	Motor Power Supply Positive
2	0.75 VT	Motor Power Supply Negative

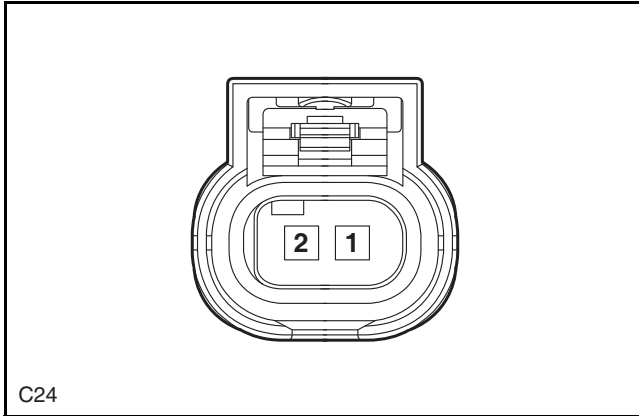
Rear Washer Motor



C23 Wiring Harness Connector Pin Definition

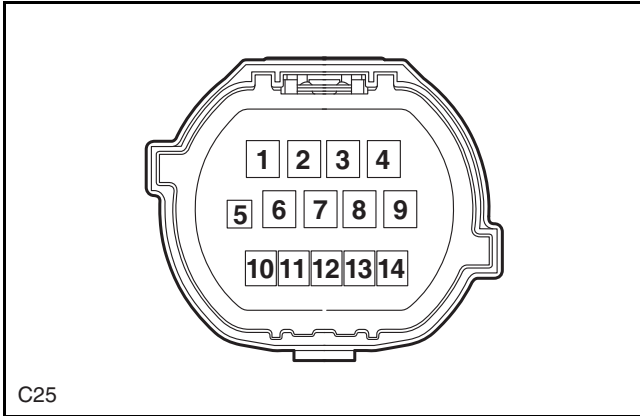
Pin No.	Wire Diameter/Color	Function
1	0.75 BK	Motor Power Supply Positive
2	0.75 VT	Motor Power Supply Negative

Right Front Collision Sensor

**C24 Wiring Harness Connector Pin Definition**

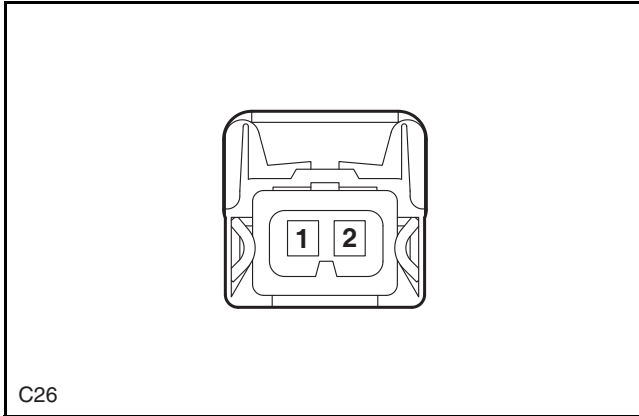
Pin No.	Wire Diameter/Color	Function
1	0.5 GN/BU	Right Front Collision Sensor Positive
2	0.5 GN/VT	Right Front Collision Sensor Negative

Right Front Combination Lamp

**C25 Wiring Harness Connector Pin Definition**

Pin No.	Wire Diameter/Color	Function
1	-	-
2	1.0 BK	High/Low Beam Grounding
3	1.0 YE	High/Low Beam Power Supply
4	0.35 BU/GN	High Beam Signal
5	0.5 BN	Position Lamp +
6	0.5 BK	Auxiliary Low Beam/Turn Lamp Grounding
7	0.5 RD/WH	Daytime Running Lamp
8	-	-
9	-	-
10	0.35 BK	Light Adjustment Motor Grounding
11	0.35 GY	Light Adjustment Motor Signal
12	0.35 YE	Light Adjustment Motor Positive
13	0.35 WH	Turn Diagnosis
14	0.5 V	Right Turn Lamp Positive

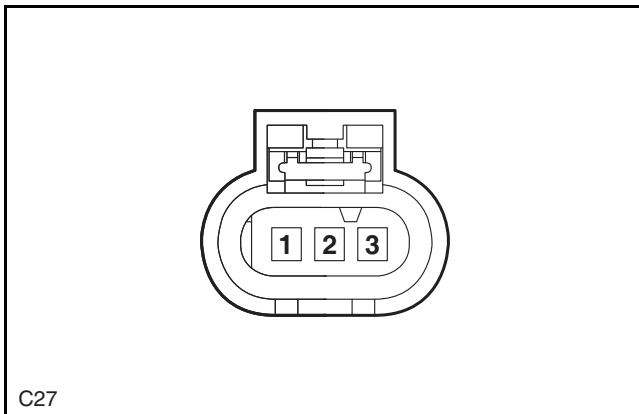
Electric Horn - 2



C26 Wiring Harness Connector Pin Definition

Pin No.	Wire Diameter/Color	Function
1	0.75 WH	Horn Positive
2	0.75 BK	Horn Negative

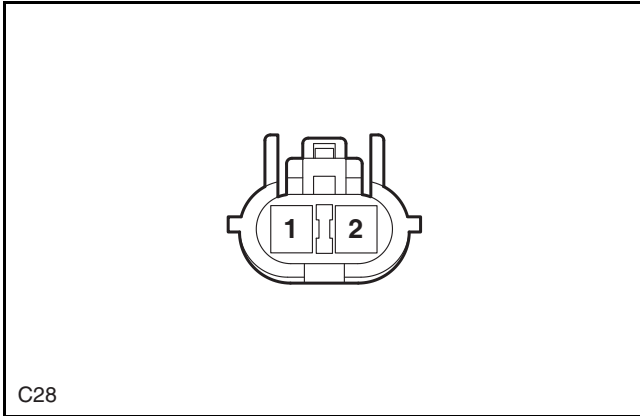
Coolant Pump



C27 Wiring Harness Connector Pin Definition

Pin No.	Wire Diameter/Color	Function
1	0.75 WH	Main Relay Power Supply
2	0.5 RD/YE	Coolant Pump Signal
3	0.75 BK	Coolant Pump Grounding

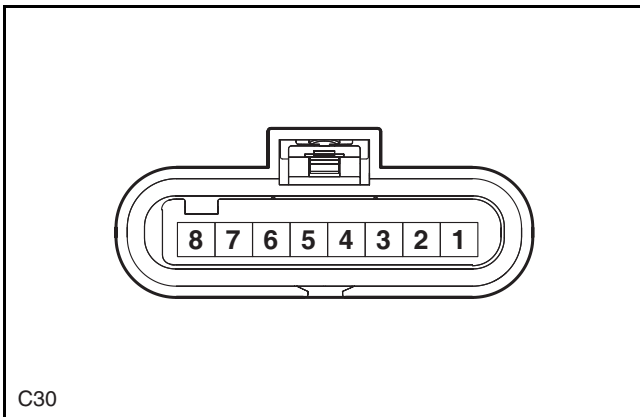
Outside Temperature Sensor



C28 Wiring Harness Connector Pin Definition

Pin No.	Wire Diameter/Color	Function
1	0.35 WH/RD	Temperature Sensor Signal
2	0.35 BU/WH	Temperature Sensor Grounding

Self-adaptive Cruise ACC

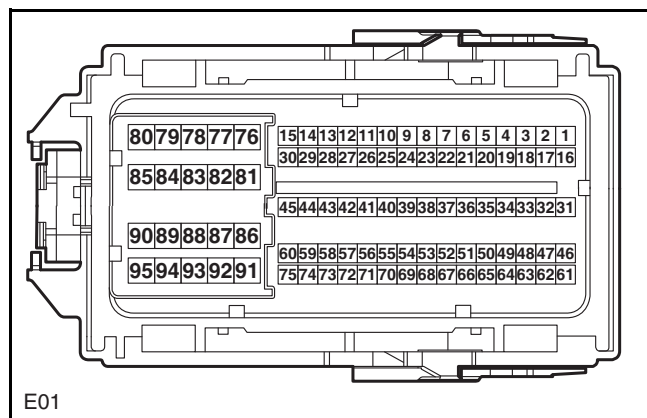


C30 Wiring Harness Connector Pin Definition

Pin No.	Wire Diameter/Color	Function
1	-	-
2	-	-
3	-	-
4	-	-
5	0.35 BK	Grounding
6	0.35 BU/YE	CAN-L
7	0.35 BU	CAN-H
8	0.5 OG	IG1

Engine Wiring Harness Connector (E--)

ECU-A



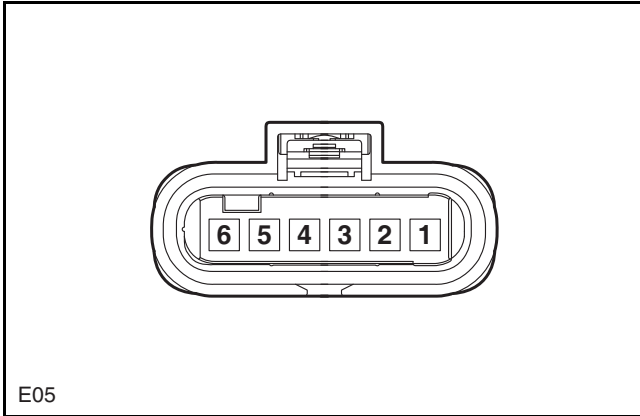
E01 Wiring Harness Connector Pin Definition

Pin No.	Wire Diameter/Color	Function
1	0.5 GN/RD	Fuel Injector 1 Power Supply
2	0.5 BU/RD	Power Supply
3	0.5 PK/BU	Fuel Rail Pressure Sensor Power Supply
4	-	-
5	-	-
6	0.5 BU	Electronic Throttle Grounding
7	0.5 VT/WH	Fuel Tank Pressure Sensor Grounding
8	0.5 YE	Oil Pressure Alarm Grounding
9	0.5 YE/BU	Boost Pressure/Temperature Grounding
10	0.5 YE/GN	Exhaust Camshaft Sensor Grounding
11	0.5 OG/BK	Intake Camshaft Sensor Grounding
12	0.85 PK	Ignition Coil 2 Signal
13	0.85 LG/RD	Ignition Coil 4 Signal
14	0.85 WH/YE	Ignition Coil 1 Signal
15	0.85 WH/GN/	Ignition Coil 3 Signal
16	0.5 RD/BU	Electronic Throttle Valve 5V Power Supply
17	0.5 PK/BK	Exhaust Camshaft Sensor Power Supply
18	0.5 GN	Speed Sensor A End
19	0.5 BU/OG	1st GPF Differential Pressure Sensor
20	0.5 RD	Speed Sensor B End
21	-	-
22	0.5 BU/GN	Coolant Temperature Sensor Signal
23	0.5 PK/BU	Oil Pressure Alarm Signal
24	-	-
25	-	-

Pin No.	Wire Diameter/Color	Function
26	0.5 WH	-
27	0.5 BN/BU	Boost Pressure Signal
28	0.5 RD/BN	Boost Pressure Signal
29	0.5 BK/WH	Boost Pressure/Temperature Signal
30	0.5 GY	Intake Camshaft Sensor Signal
31	0.5 LG	Fuel Tank Pressure Sensor Signal
32	0.5 PK/GN	Electric Wiring Harness Conduit Signal
33	-	-
34	0.5 BK/GN	Throttle Position Sensor Signal 2
35	-	-
36	0.5 BN/WH	Fuel Rail Pressure Sensor Signal
37	0.5 OG	2nd GPF Differential Pressure Sensor
38	0.5 WH/BU	Boost Pressure/Temperature Signal
39	-	-
40	0.5 GY/BK	Throttle Position Sensor Signal 1
41	-	-
42	0.5 VT/YE	Sensor Grounding
43	-	-
44	-	-
45	0.5 RD/WH	Exhaust Camshaft Sensor Signal
46	0.5 RD	Knock Sensor +
47	0.5 WH/BU	Knock Sensor -
48	-	-
49	-	-
50	-	-
51	-	-
52	-	-
53	-	-
54	0.5 BN/YE	Position Signal
55	-	-
56	-	-
57	0.5 BN	Speed Sensor Shield Grounding
58	-	-
59	-	-
60	-	-
61	-	-
62	-	-
63	-	-

Pin No.	Wire Diameter/Color	Function
64	-	-
65	-	-
66	-	-
67	-	-
68	-	-
69	-	-
70	-	-
71	-	-
72	-	-
73	-	-
74	-	-
75	-	-
76	0.85 GY/BK	Fuel Injector 4 Power Supply
77	0.85 BK/YE	Fuel Injector 4 Control Signal
78	0.85 RD/YE	Fuel Injector 1 Control Signal
79	0.85 BN/WH	Fuel Injector 3 Power Supply
80	0.85 RD/GN	Fuel Injector 2 Power Supply
81	0.75 VT/BN	Control -
82	0.75 BK/RD	Control +
83	0.85 BU/BK	2nd GPF Differential Pressure Sensor
84	0.85 WH/RD	Fuel Injector 3 Control Signal
85	0.85 YE/RD	Fuel Injector 2 Control Signal
86	0.85 PK/WH	Electronic Throttle Valve Control -
87	-	-
88	-	-
89	-	-
90	0.5 OG	Oil Pressure Control Valve -
91	0.85 GN/BK	Electronic Throttle Valve Control +
92	-	-
93	-	-
94	-	-
95	0.5 PK	Oil Pressure Control Valve +

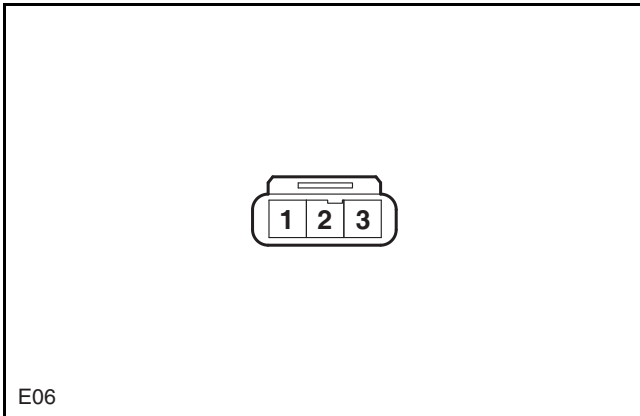
Electronic Shift Actuator



E05 Wiring Harness Connector Pin Definition

Pin No.	Wire Diameter/Color	Function
1	0.5 WH/RD	5V Power Supply
2	0.5 BU/RD	Position Feedback Signal
3	0.5 GN/RD	Grounding
4	1.0 RD/BU	Shift Actuator Motor Positive
5	1.0 BK	Shift Actuator Motor Negative
6	-	-

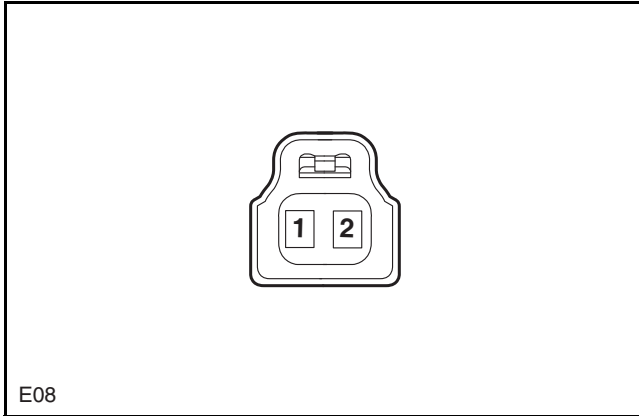
Fuel Rail Pressure Sensor



E06 Wiring Harness Connector Pin Definition

Pin No.	Wire Diameter/Color	Function
1	0.5 YE	Grounding
2	0.5 BN/WH	Fuel Rail Pressure Sensor Signal
3	0.5 PK/BU	Power Supply

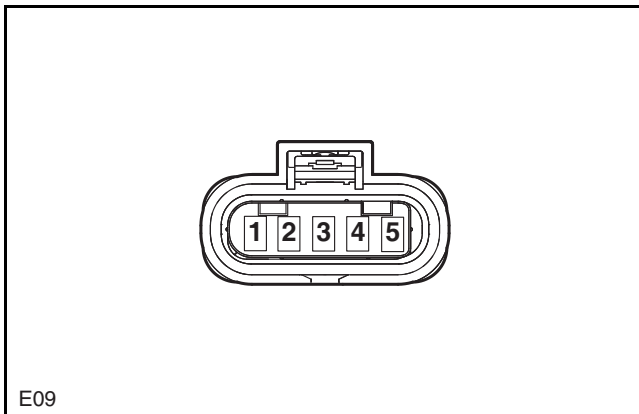
Electronic Thermostat



E08 Wiring Harness Connector Pin Definition

Pin No.	Wire Diameter/Color	Function
1	0.5 YE	Power Supply
2	0.5 BN/WH	Control Signal

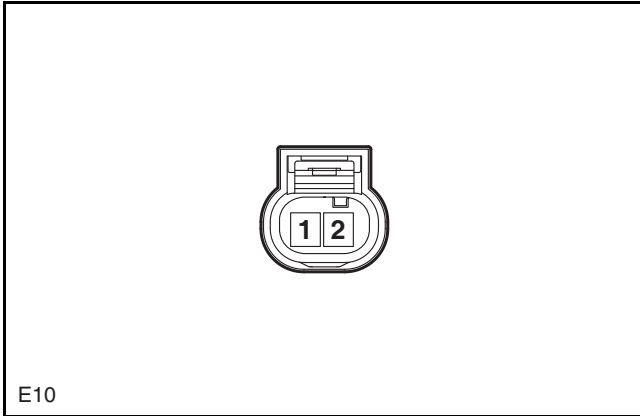
Linear Oxygen Sensor



E09 Wiring Harness Connector Pin Definition

Pin No.	Wire Diameter/Color	Function
1	0.5 BN	Liner Oxygen
2	0.85 WH/GN	Power Supply
3	0.85 WH/RD	Linear Oxygen Sensor Heater
4	0.5 OG/BU	Linear Oxygen VM
5	0.5 WH/BK	Linear Oxygen IP

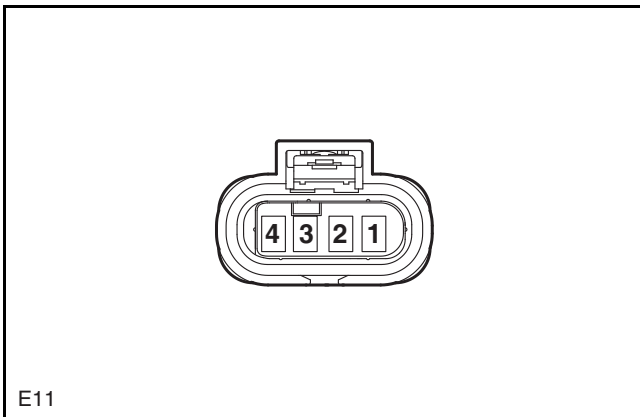
Coolant Temperature Sensor



E10 Wiring Harness Connector Pin Definition

Pin No.	Wire Diameter/Color	Function
1	0.5 BU/GN	Coolant Temperature Sensor Signal
2	0.5 VT/WH	Coolant Temperature Sensor Grounding

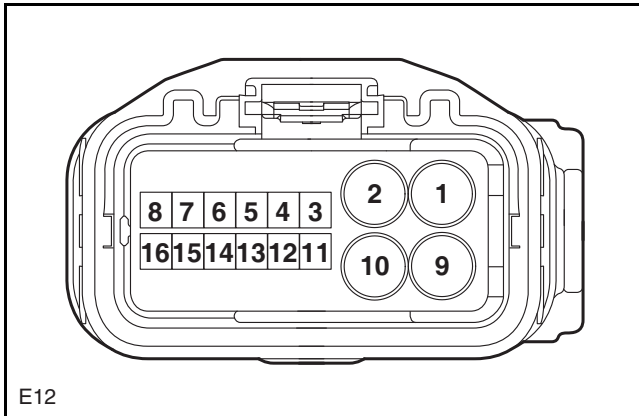
Switch Oxygen Sensor



E11 Wiring Harness Connector Pin Definition

Pin No.	Wire Diameter/Color	Function
1	0.5 BU/BN	Switch Oxygen Sensor Signal
2	0.5 GY/GN	Grounding
3	0.5 OG/BK	Switch Oxygen Sensor Heater
4	0.5 WH/GN	Power Supply

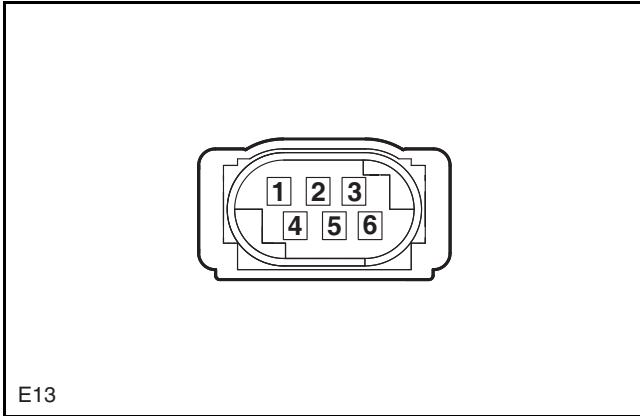
TCU



E12 Wiring Harness Connector Pin Definition

Pin No.	Wire Diameter/Color	Function
1	1.25 RD/WH	Power Supply
2	-	-
3	-	-
4	-	-
5	0.5 LG	P/N Position Switch
6	0.3 GN/BK	CAN-H
7	-	-
8	-	-
9	1.25 BK	Grounding
10	-	-
11	0.5 BU/BN	IG1
12	-	-
13	0.5 WH	Reverse Switch
14	0.3 GN	CAN-L
15	-	-
16	-	-

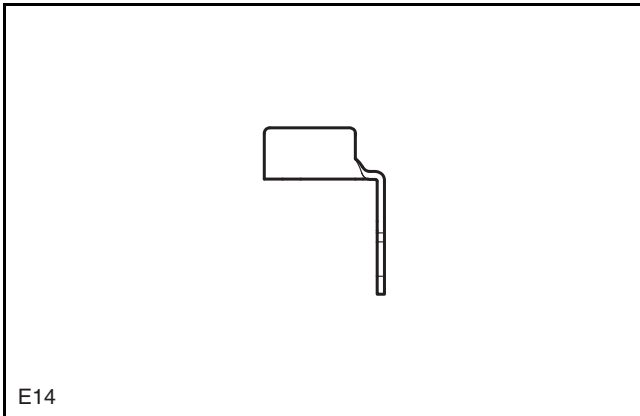
Electronic Throttle Valve



E13 Wiring Harness Connector Pin Definition

Pin No.	Wire Diameter/Color	Function
1	0.85 PK/WH	Electronic Throttle Valve Control -
2	0.5 BU	Electronic Throttle Grounding
3	0.5 RD/BU	Electronic Throttle Valve 5V Power Supply
4	0.85 GN/BU	Electronic Throttle Valve Control +
5	0.5 BK/GN	Throttle Position Sensor Signal 2
6	0.5 GY/BK	Throttle Position Sensor Signal 1

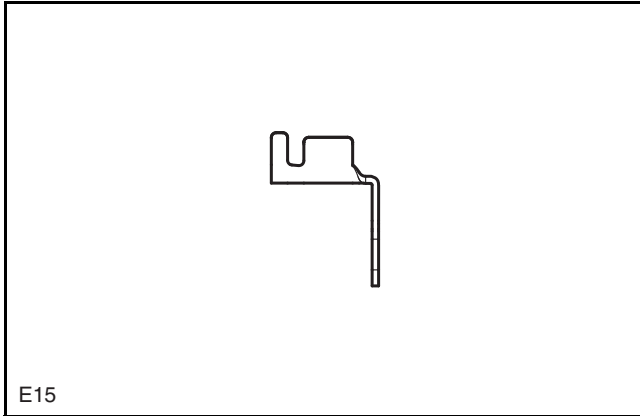
Starting Motor



E14 Wiring Harness Connector Pin Definition

Pin No.	Wire Diameter/Color	Function
1	25 RD	Starting Motor Power Supply

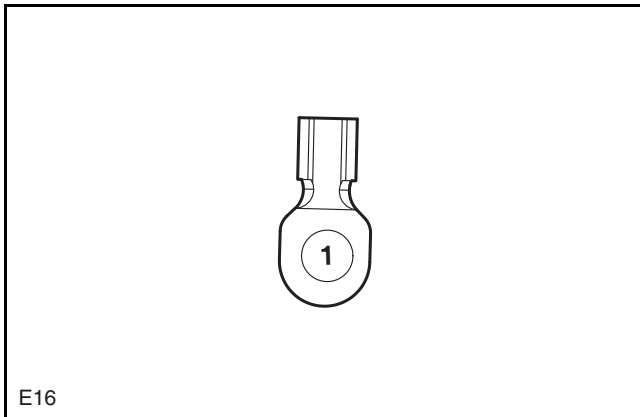
Starting Motor Clutch



E15 Wiring Harness Connector Pin Definition

Pin No.	Wire Diameter/Color	Function
1	3.0 RD/BK	Starting Motor Signal

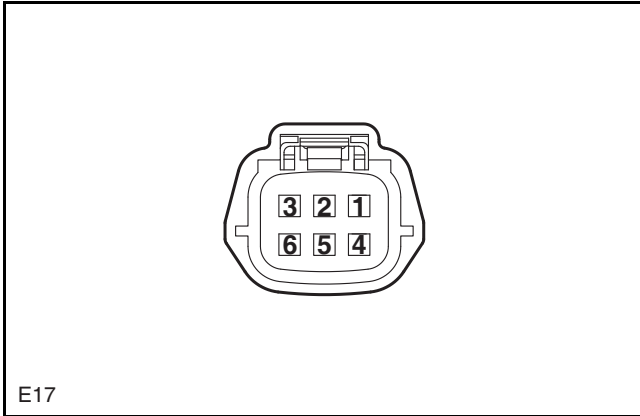
Alternator 1



E16 Wiring Harness Connector Pin Definition

Pin No.	Wire Diameter/Color	Function
1	25 RD	Alternator Power Supply Output

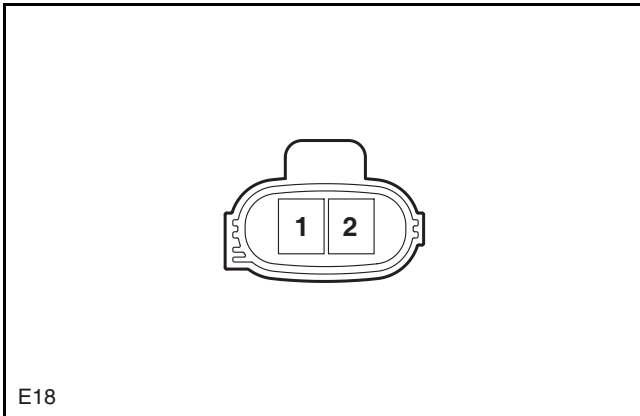
EPS Signal



E17 Wiring Harness Connector Pin Definition

Pin No.	Wire Diameter/Color	Function
1	0.3 PK	CAN_L
2	0.3 RD/GN	CAN_H
3	0.5 BU/GN	IG1 Power Supply
4	-	-
5	-	-
6	-	-

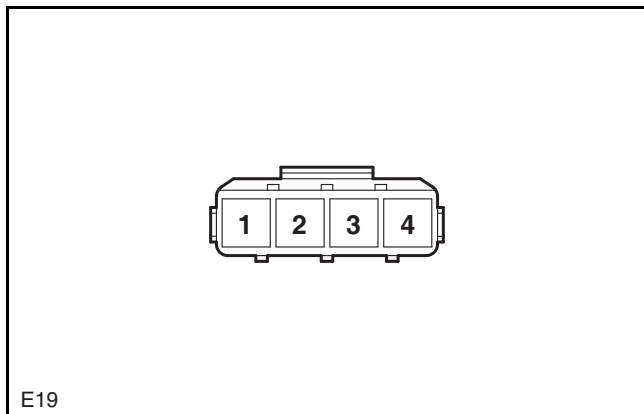
EPS Power Supply



E18 Wiring Harness Connector Pin Definition

Pin No.	Wire Diameter/Color	Function
1	10.0 RD	EPS Power Supply
2	10.0 BK	EPS Grounding

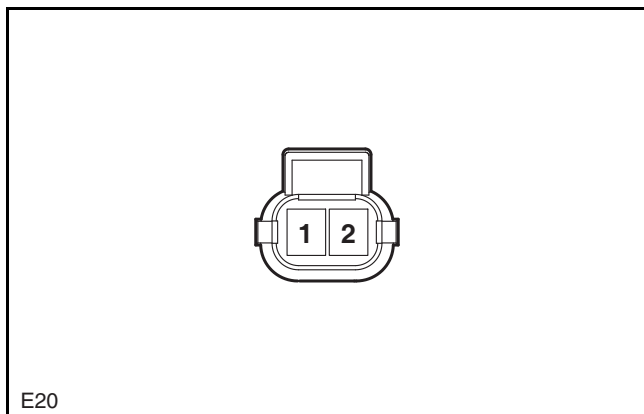
Boost Pressure/Temperature Sensor



E19 Wiring Harness Connector Pin Definition

Pin No.	Wire Diameter/Color	Function
1	0.5 YE/BU	Boost Pressure Grounding
2	0.5 WH/BU	Boost Pressure/Temperature Signal
3	0.5 PK/BU	Boost Pressure 5V Power Supply
4	0.5 RD/BN	Boost Pressure Signal

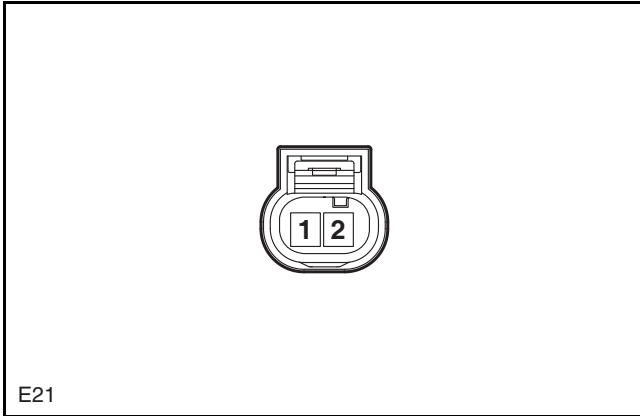
Knock Sensor



E20 Wiring Harness Connector Pin Definition

Pin No.	Wire Diameter/Color	Function
1	0.5 RD	Knock Sensor +
2	0.5 WH/BU	Knock Sensor -

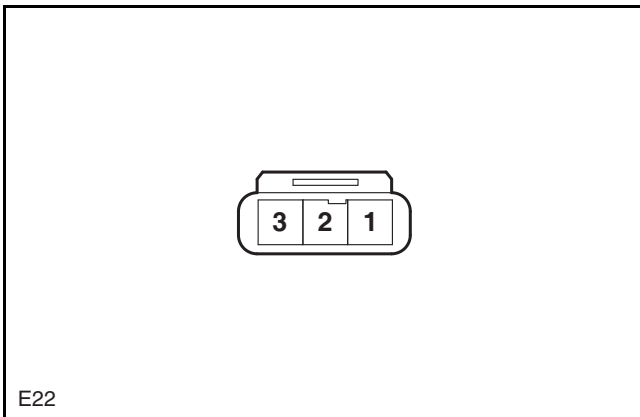
Variable Displacement Oil Pump



E21 Wiring Harness Connector Pin Definition

Pin No.	Wire Diameter/Color	Function
1	0.5 PK/BU	Variable Displacement Oil Pump Signal
2	0.5 WH/GN	Variable Displacement Oil Pump Power Supply

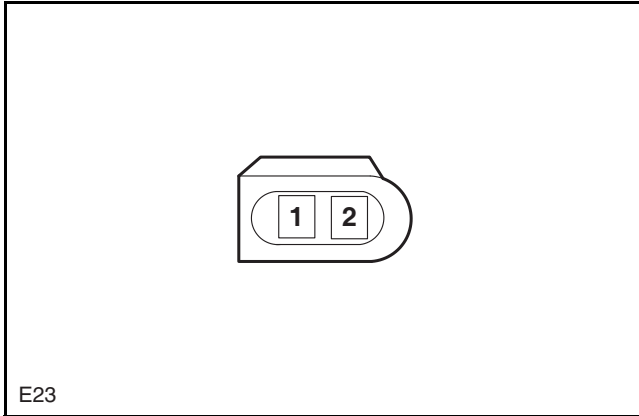
Crankshaft Position Sensor



E22 Wiring Harness Connector Pin Definition

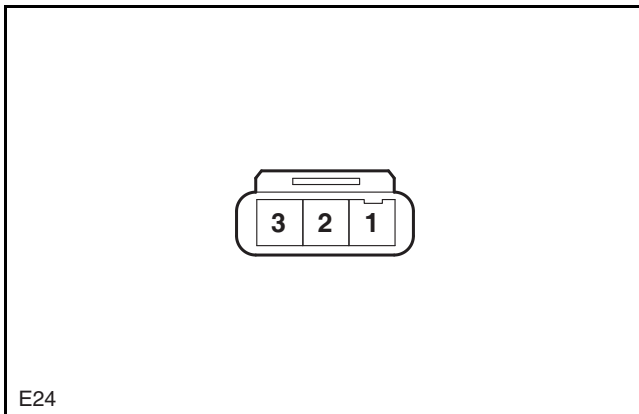
Pin No.	Wire Diameter/Color	Function
1	0.5 GN	Speed Sensor A End
2	0.5 RD	Speed Sensor B End
3	0.5 BN	Speed Sensor Shield Grounding

Alternator 2

**E23 Wiring Harness Connector Pin Definition**

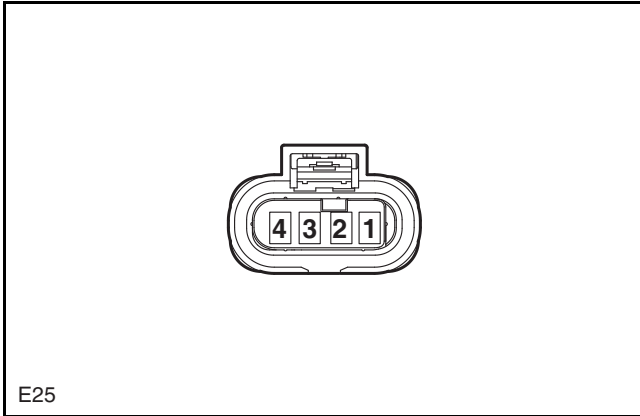
Pin No.	Wire Diameter/Color	Function
1	-	-
2	0.85 LG	LIN Line

Desorption Pressure Sensor

**E24 Wiring Harness Connector Pin Definition**

Pin No.	Wire Diameter/Color	Function
1	0.5 WH	Desorption Pressure Sensor Signal
2	0.5 YE/BU	Desorption Pressure Sensor Grounding
3	0.5 PK/BU	Desorption Pressure Sensor Power Supply

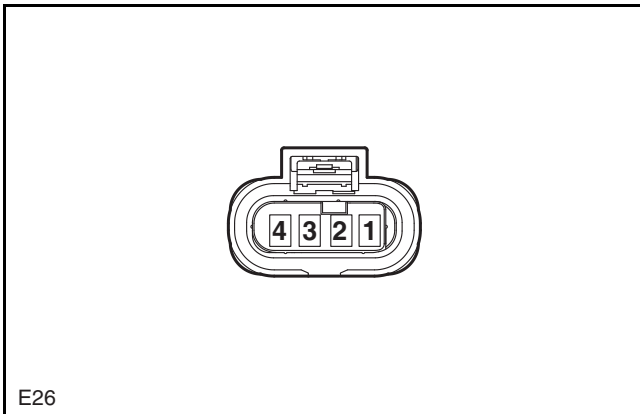
Ignition Coil 1



E25 Wiring Harness Connector Pin Definition

Pin No.	Wire Diameter/Color	Function
1	1.25 BK/WH	Grounding
2	0.75 WH/YE	Ignition Coil Signal
3	1.25 BK	Grounding
4	1.25 BK/BU	Ignition Coil Power Supply

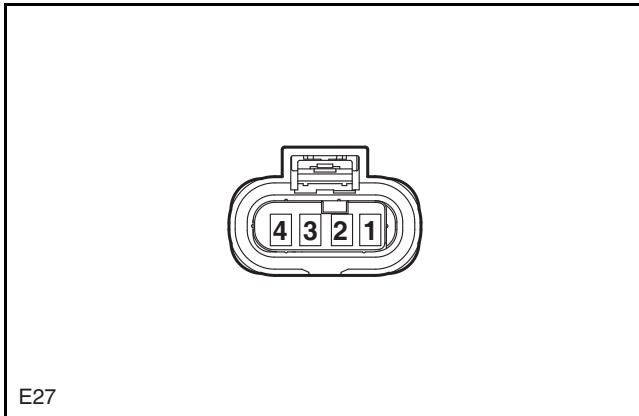
Ignition Coil 2



E26 Wiring Harness Connector Pin Definition

Pin No.	Wire Diameter/Color	Function
1	1.25 BK/WH	Grounding
2	0.75 PK	Ignition Coil Signal
3	1.25 BK	Grounding
4	1.25 BK/BU	Ignition Coil Power Supply

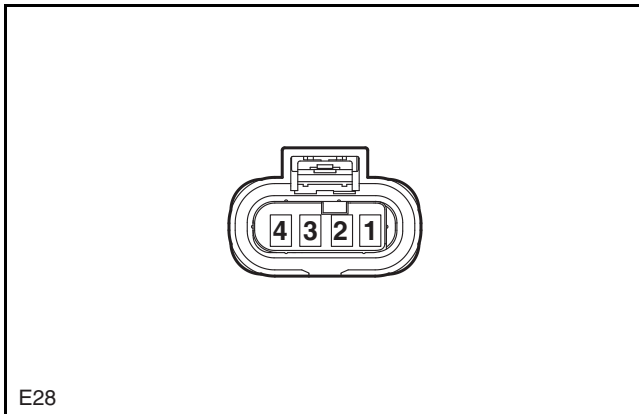
Ignition Coil 3



E27 Wiring Harness Connector Pin Definition

Pin No.	Wire Diameter/Color	Function
1	1.25 BK/WH	Grounding
2	0.75 WH/GN	Ignition Coil Signal
3	1.25 BK	Grounding
4	1.25 BK/BU	Ignition Coil Power Supply

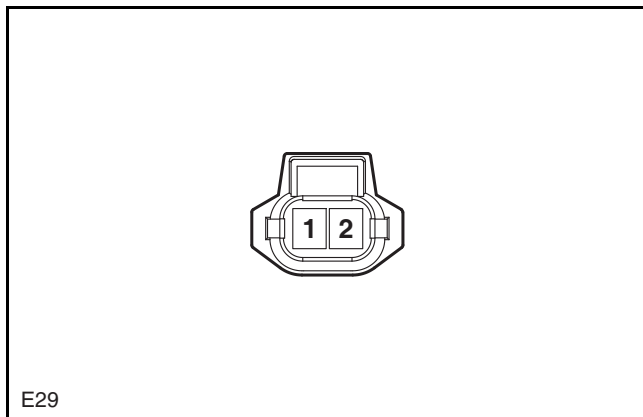
Ignition Coil 4



E28 Wiring Harness Connector Pin Definition

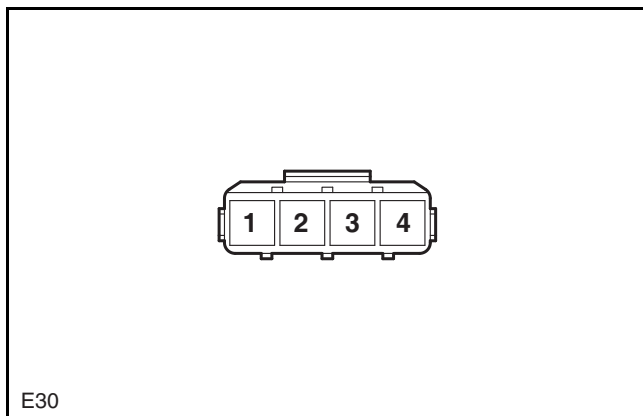
Pin No.	Wire Diameter/Color	Function
1	1.25 BK/WH	Grounding
2	0.75 LG/RD	Ignition Coil Signal
3	1.25 BK	Grounding
4	1.25 BK/BU	Ignition Coil Power Supply

High Pressure Oil Pump

**E29 Wiring Harness Connector Pin Definition**

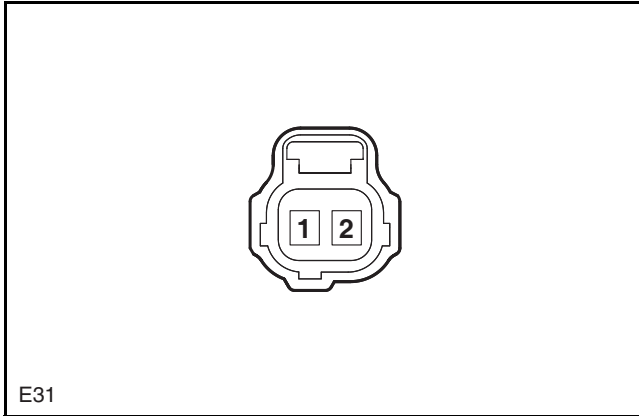
Pin No.	Wire Diameter/Color	Function
1	0.5 PK	Oil Pressure Control Valve +
2	0.5 OG	Oil Pressure Control Valve -

Boost Pressure/Temperature Sensor Intercooling

**E30 Wiring Harness Connector Pin Definition**

Pin No.	Wire Diameter/Color	Function
1	0.5 YE/BU	Boost Pressure/Temperature Grounding
2	0.5 BK/WH	Boost Pressure/Temperature Signal
3	0.5 PK/BU	Boost Pressure/Temperature Power Supply
4	0.5 BN/BU	Boost Pressure Signal

Air Intake Pressure Discharge Valve

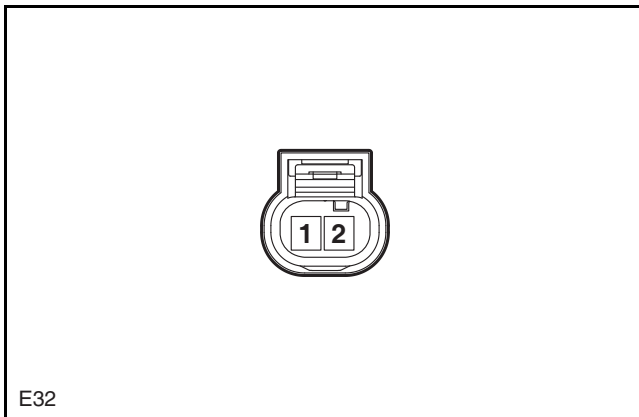


E31

E31 Wiring Harness Connector Pin Definition

Pin No.	Wire Diameter/Color	Function
1	0.85 WH/GN	Air Intake Pressure Discharge Valve Power Supply
2	0.5 WH	Air Intake Pressure Discharge Valve Signal

Carbon Canister Control Valve

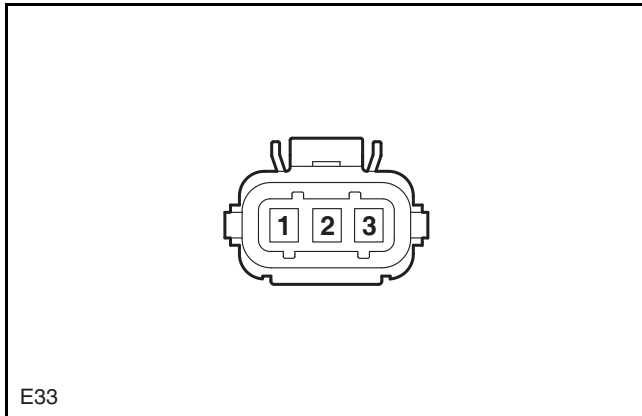


E32

E32 Wiring Harness Connector Pin Definition

Pin No.	Wire Diameter/Color	Function
1	0.85 WH/GN	Carbon Canister Control Valve Power Supply
2	0.5 BU/GN	Canister Control Valve Signal

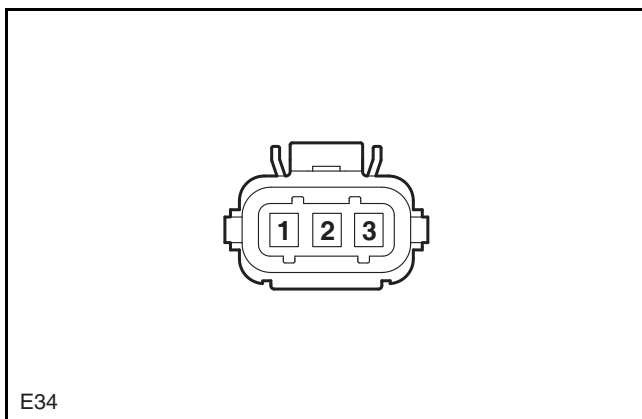
Exhaust Camshaft Sensor



E33 Wiring Harness Connector Pin Definition

Pin No.	Wire Diameter/Color	Function
1	0.5 YE/GN	Exhaust Camshaft Sensor Grounding
2	0.5 RD/WH	Exhaust Camshaft Sensor Signal
3	0.5 PK/BK	Exhaust Camshaft Sensor Power Supply

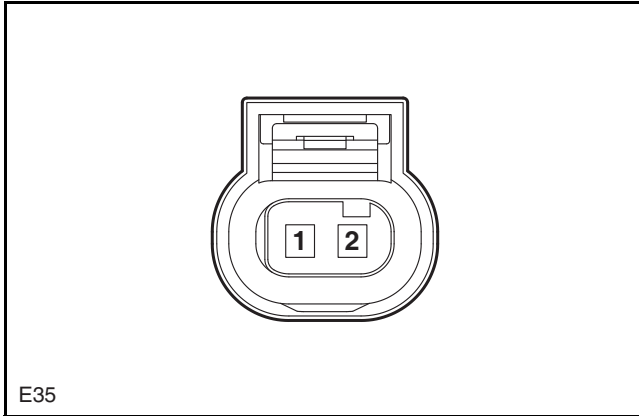
Intake Camshaft Sensor



E34 Wiring Harness Connector Pin Definition

Pin No.	Wire Diameter/Color	Function
1	0.5 OG/BK	Intake Camshaft Sensor Grounding
2	0.5 GY	Intake Camshaft Sensor Signal
3	0.5 PK/BK	Intake Camshaft Sensor Power Supply

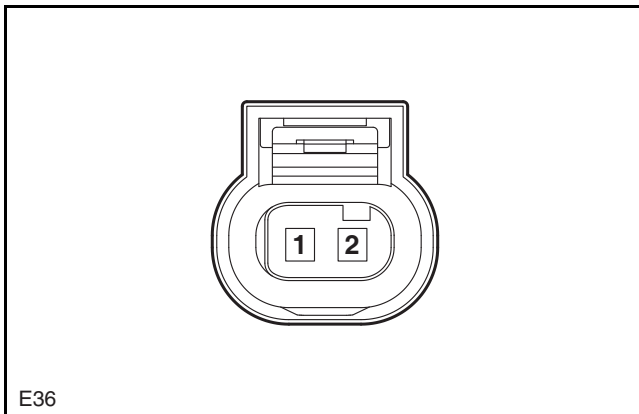
Intake OCV



E35 Wiring Harness Connector Pin Definition

Pin No.	Wire Diameter/Color	Function
1	0.5 YE/WH	Intake OCV Signal
2	0.85 WH/GN	Intake OCV Power Supply

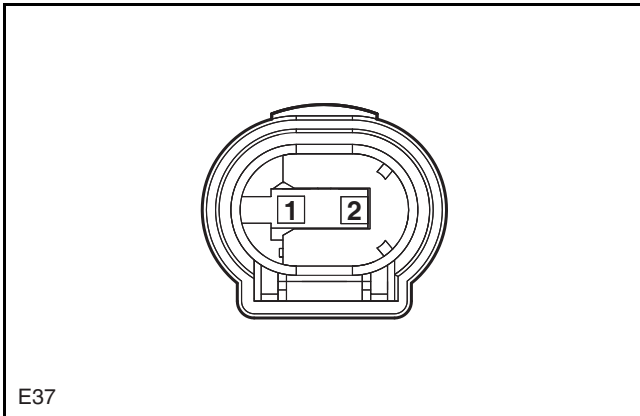
Exhaust OCV



E36 Wiring Harness Connector Pin Definition

Pin No.	Wire Diameter/Color	Function
1	0.5 YE/WH	Exhaust OCV Signal
2	0.85 WH/GN	Exhaust OCV Power Supply

Electric Wiring Harness Conduit

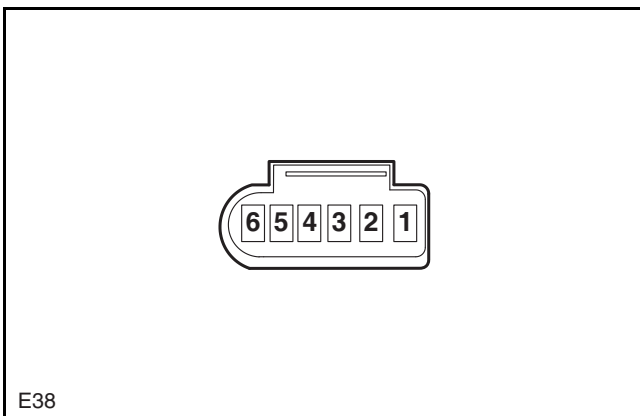


E37

E37 Wiring Harness Connector Pin Definition

Pin No.	Wire Diameter/Color	Function
1	035 PK	Electric Wiring Harness Conduit Signal
2	0.5 YE/BU	Electric Wiring Harness Conduit Grounding

Exhaust Bypass Actuator

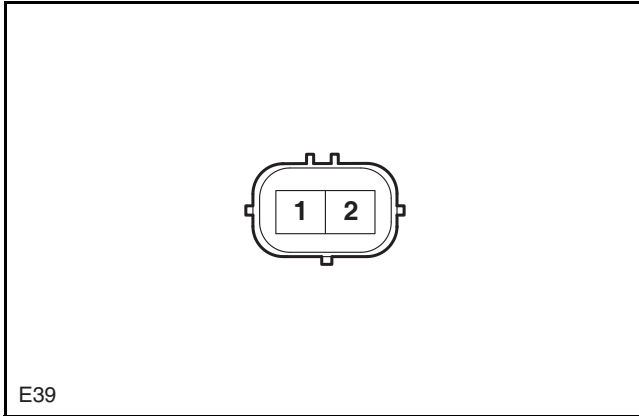


E38

E38 Wiring Harness Connector Pin Definition

Pin No.	Wire Diameter/Color	Function
1	0.5 VT/WH	Grounding
2	0.5 BN/YE	Position Signal
3	0.5 GN/RD	Power Supply
4	0.75 BK/RD	Control +
5	0.75 VT/BK	Control -
6	-	-

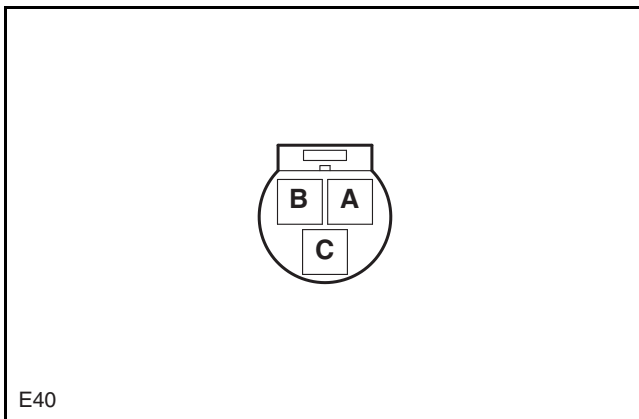
Compressor Clutch



E39 Wiring Harness Connector Pin Definition

Pin No.	Wire Diameter/Color	Function
1	0.75 RD/BK	Compressor Clutch Power Supply

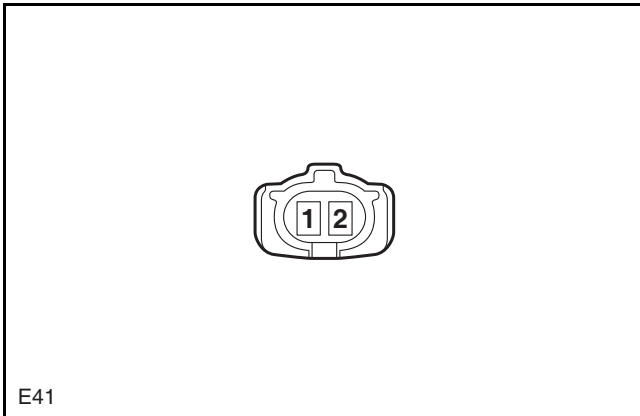
Oil Pressure Alarm Assembly



E40 Wiring Harness Connector Pin Definition

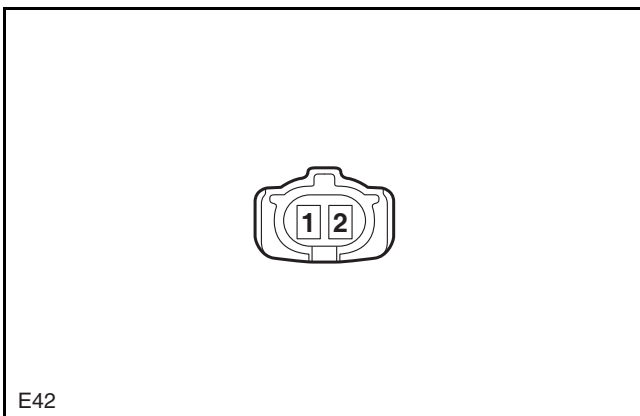
Pin No.	Wire Diameter/Color	Function
1	0.5 YE	Oil Pressure Alarm Power Supply
2	0.5 GN/RD	Oil Pressure Alarm Grounding
3	0.5 PK/BU	Oil Pressure Alarm Signal

Fuel Injector 1

**E41 Wiring Harness Connector Pin Definition**

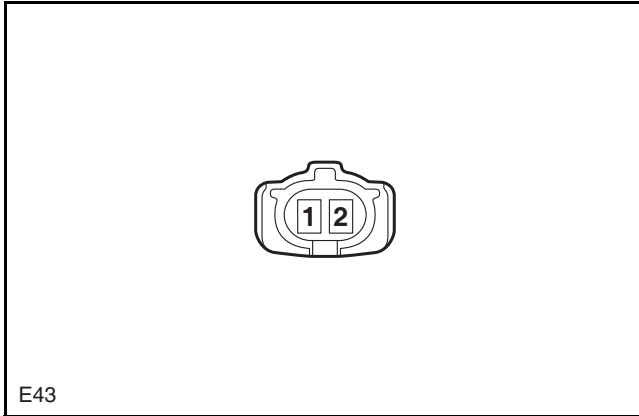
Pin No.	Wire Diameter/Color	Function
1	0.85 BU/BK	Fuel Injector 1 Power Supply
2	0.85 RD/YE	Fuel Injector 1 Control Signal

Fuel Injector 2

**E42 Wiring Harness Connector Pin Definition**

Pin No.	Wire Diameter/Color	Function
1	0.85 RD/GN	Fuel Injector 2 Power Supply
2	0.85 YE/RD	Fuel Injector 2 Control Signal

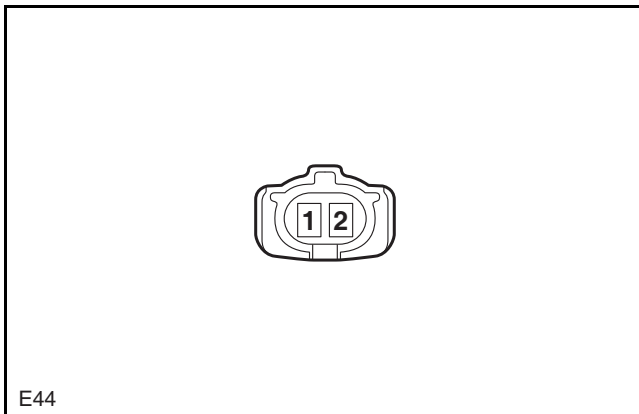
Fuel Injector 3



E43 Wiring Harness Connector Pin Definition

Pin No.	Wire Diameter/Color	Function
1	0.85 BN/WH	Fuel Injector 3 Power Supply
2	0.85 WH/RD	Fuel Injector 3 Control Signal

Fuel Injector 4

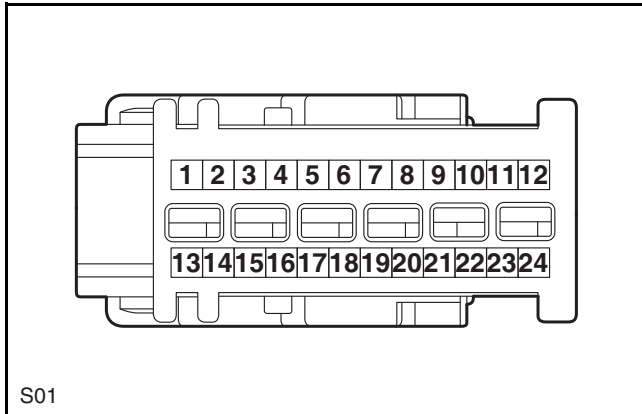


E44 Wiring Harness Connector Pin Definition

Pin No.	Wire Diameter/Color	Function
1	0.85 GY/BK	Fuel Injector 4 Power Supply
2	0.85 BK/WH	Fuel Injector 4 Control Signal

Chassis Wiring Harness Connector (S)

Airbag Control Unit B

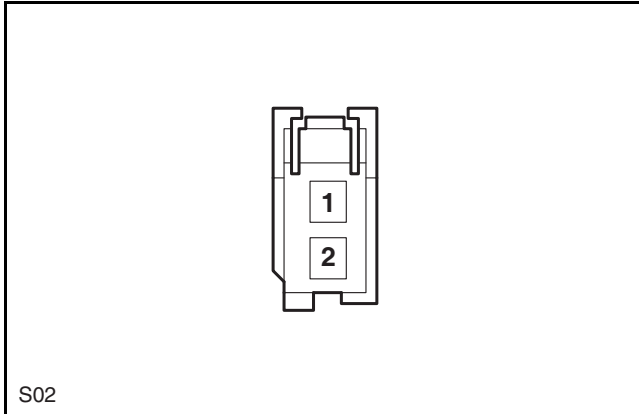


S01

S01 Wiring Harness Connector Pin Definition

Pin No.	Wire Diameter/Color	Function
1	-	-
2	-	-
3	-	-
4	-	-
5	-	-
6	-	-
7	-	-
8	-	-
9	0.5 WH	Front Passenger Side Collision Sensor Negative
10	0.5 PK/WH	Front Passenger Side Collision Sensor Positive
11	0.5 BN/GN	Driver Side Collision Sensor Positive
12	0.5 VT	Driver Side Collision Sensor Negative
13	-	-
14	-	-
15	-	-
16	-	-
17	0.5 WH/RD	Front Passenger Side Airbag Negative
18	0.5 RD/GN	Front Passenger Side Airbag Positive
19	0.5 VT/GN	Driver Side Airbag Positive
20	0.5 PK/BU	Driver Side Airbag Negative
21	0.5 GY	Passenger Side Curtain Shield Airbag -
22	0.5 BU	Passenger Side Curtain Shield Airbag +
23	0.5 BU	Driver Side Curtain Shield Airbag +
24	0.5 GY	Driver Side Curtain Shield Airbag -

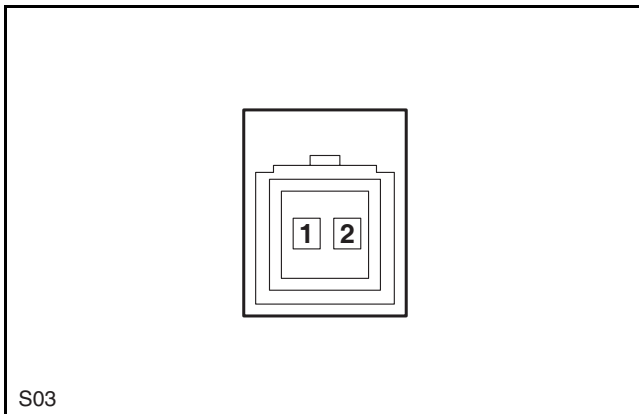
Front Passenger Seat Sensor



S02 Wiring Harness Connector Pin Definition

Pin No.	Wire Diameter/Color	Function
1	0.35 WH/GN	Front Passenger Seat Sensor Grounding
2	0.35 WH/RD	Front Passenger Seat Sensor Power Supply

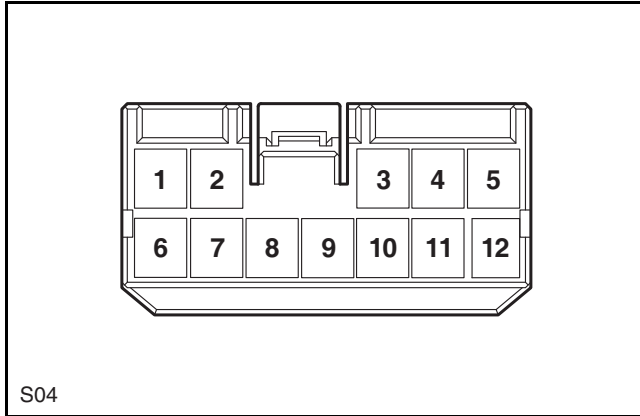
Front Passenger Side Airbag



S03 Wiring Harness Connector Pin Definition

Pin No.	Wire Diameter/Color	Function
1	0.35 RD/GN	Front Passenger Side Airbag Negative
2	0.35 WH/RD	Front Passenger Side Airbag Positive Power Supply

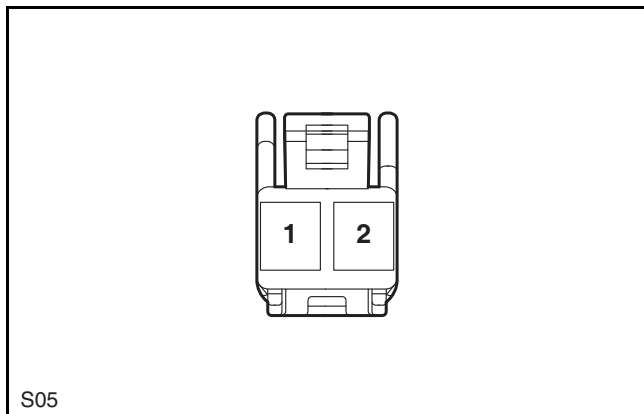
Seat Heater Controller (Sub)



S04 Wiring Harness Connector Pin Definition

Pin No.	Wire Diameter/Color	Function
1 Russia	2.5 BK	Electric Regulator Grounding
1 G.C.C.	2.5 R/BU	Heater +
2	-	-
3	-	-
4	-	-
5 Russia	2.5 RD/BU	Electric Regulator Power Supply
5 G.C.C.	2.5 BK	Grounding
6 Russia	1.0 BK	Heater -
6 G.C.C.	0.35 BN	Heater -
7 Russia	0.35 PK	NTC-
7 G.C.C.	0.35 GN/RD	NTC-
8 Russia	0.35 GN/RD	NTC+
8 G.C.C.	0.35 GN/WH	NTC+
9 Russia	1.0 BN	Heater +
10	0.5 BK	Blower -
11	0.35 WH/GN	Blower PWM
12	0.5 WH/VT	IG1 Power Supply

Front Passenger Seat Belt Switch

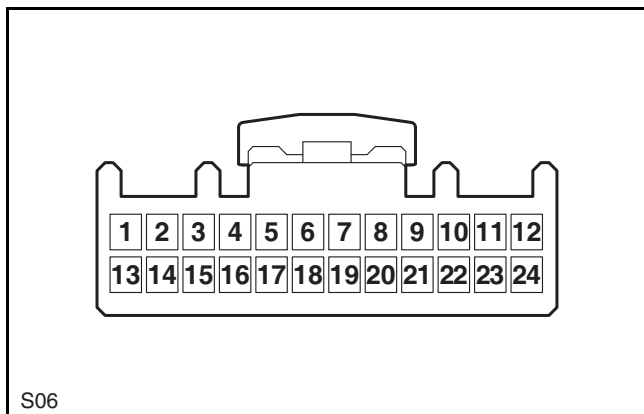


S05

S05 Wiring Harness Connector Pin Definition

Pin No.	Wire Diameter/Color	Function
1	0.35 WH/YE	Front Passenger Seat Belt Switch Power Supply
2	0.35 WH/RD	Front Passenger Seat Belt Switch Grounding

Reversing Radar Controller



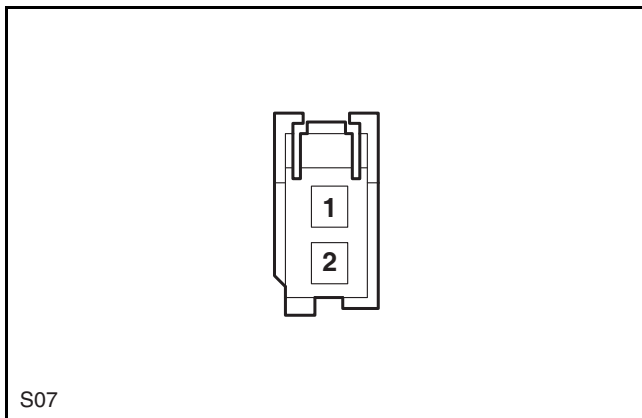
S06

S06 Wiring Harness Connector Pin Definition

Pin No.	Wire Diameter/Color	Function
1	-	-
2	-	-
3	0.35 OG	Left Front Radar Sensor
4	0.35 BU/BK	Right Front Radar Sensor
5	0.35 PK	ICAN-H
6	0.35 PK/BK	ICAN-L
7	-	-
8	-	-
9	0.35 GN/YE	Right Middle Rear Reversing Radar Sensor Signal
10	0.35 GN/RD	Right Rear Reversing Radar Sensor Signal
11	0.35 RD/BU	Left Front Radar Sensor Power Supply

Pin No.	Wire Diameter/Color	Function
12	0.35 BK/WH	IG1 Power Supply
13	0.35 WH/BK	Left Front Radar Sensor Grounding
14	0.35 WH	Rear Reversing Radar Sensor Grounding
15	0.35 BK	Grounding
16	-	-
17	-	-
18	-	-
19	-	-
20	-	-
21	0.35 OG/BK	Left Middle Rear Reversing Radar Sensor Signal
22	0.35 GN/BU	Left Rear Reversing Radar Sensor Signal
23	0.35 WH/RD	Rear Reversing Radar Sensor Power Supply
24	-	-

2nd Row USB1

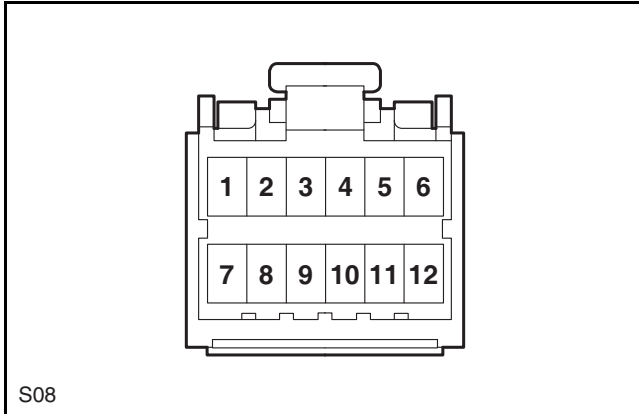


S07

S07 Wiring Harness Connector Pin Definition

Pin No.	Wire Diameter/Color	Function
1	0.5 BK	ACC Power Supply
2	0.5 VT/WH	Grounding

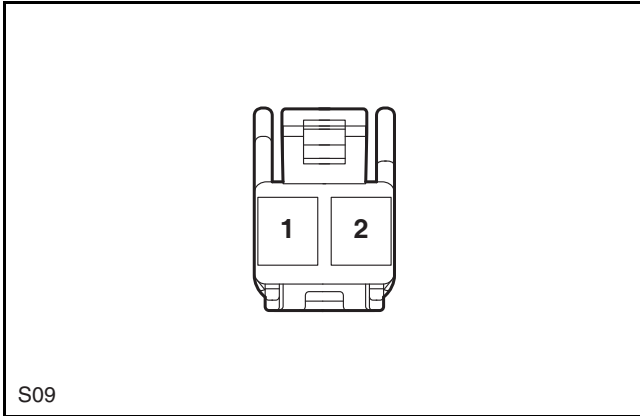
Rear Seat Heater Switch



S08 Wiring Harness Connector Pin Definition

Pin No.	Wire Diameter/Color	Function
1	0.35 WH	Rear Right Heater Switch Signal
2	0.35 YE	Rear Right Heater Switch Signal
3	0.35 WH/GN	Rear Right Heater Low Gear Operating Indicator Signal
4	0.35 WH/BK	Rear Right Heater High Gear Operating Indicator Signal
5	0.35 RD/YE	ILL+
6	0.35 BK	GND
7	0.35 BK	GND
8	-	-
9	-	-
10	0.35 YE/BK	Rear Left Heater High Gear Operating Indicator Signal
11	0.35 YE/GN	Rear Left Heater Low Gear Operating Indicator Signal
12	0.5 WH/VT	IGN

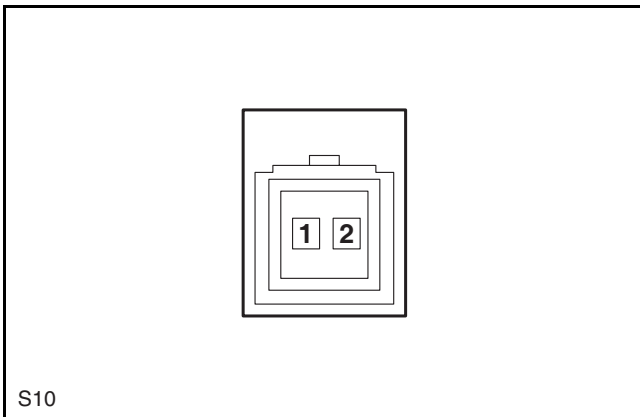
Driver Seat Belt Switch



S09 Wiring Harness Connector Pin Definition

Pin No.	Wire Diameter/Color	Function
1	0.35 OG/BK	Driver Seat Belt Switch Power Supply
2	0.35 WH/GN	Driver Seat Belt Switch Grounding

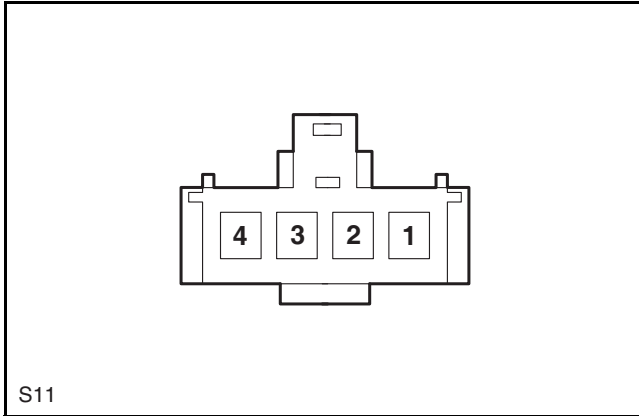
Driver Side Airbag



S10 Wiring Harness Connector Pin Definition

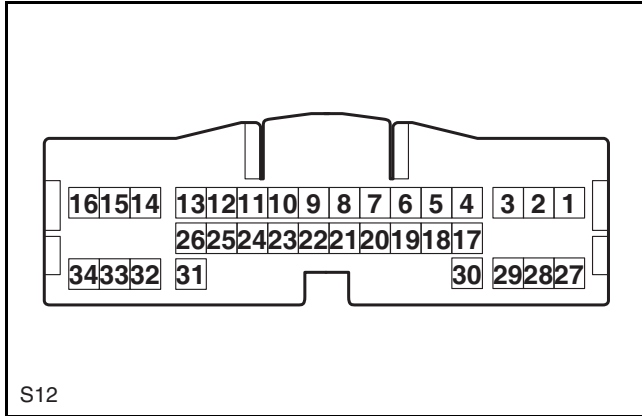
Pin No.	Wire Diameter/Color	Function
1	0.5 VT/GN	Driver Side Airbag -
2	0.5 PK/BU	Driver Side Airbag +

Headrest Speaker

**S11 Wiring Harness Connector Pin Definition**

Pin No.	Wire Diameter/Color	Function
1	0.5 RD/BU	Headrest Speaker Left -
2	0.5 WH/YE	Headrest Speaker Left +
3	0.5 BU/WH	Headrest Speaker Right -
4	0.5 PK/WH	Headrest Speaker Right +

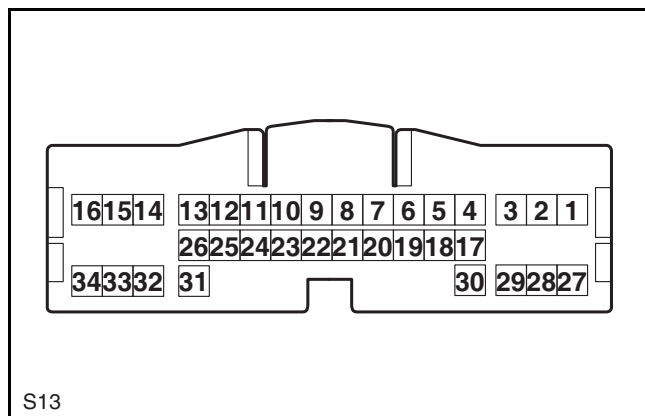
Seat Heater Controller (Main)

**S12 Wiring Harness Connector Pin Definition**

Pin No.	Wire Diameter/Color	Function
1	2.5 RD/YE	Driver Electric Regulator Power Supply
2	1.5 RD	Driver Heater Power Supply
3 G.C.C.	0.35 BK/WH	IG1 Power Supply
4	-	-
5	-	-
6	-	-
7	-	-
8	-	-
9	-	-
10	-	-
11	-	-
12	0.35 GN/BK	CAN-L
13	0.35 GN	CAN-H
14 G.C.C.	0.35 BK	Grounding
15	1.5 BK	Grounding
16	2.5 BK	Grounding
17 G.C.C.	0.35 BN	Heater -
18 G.C.C.	0.35 GN/RD	NTC-
19	-	-
20	-	-
21	-	-
22	-	-
23	-	-
24	-	-
25	-	-
26	-	-

Pin No.	Wire Diameter/Color	Function
27 Russia	1 BU	Heater +
28	-	-
29 Russia	0.35 BK/WH	IG1 Power Supply
30 Russia	0.35 GN/RD	NTC+
31 Russia	0.35 GN/WH	NTC-
32	-	-
33 G.C.C.	0.35 GN/WH	Blower -
34 Russia	1 GN	Heater -

Seat Memory Controller

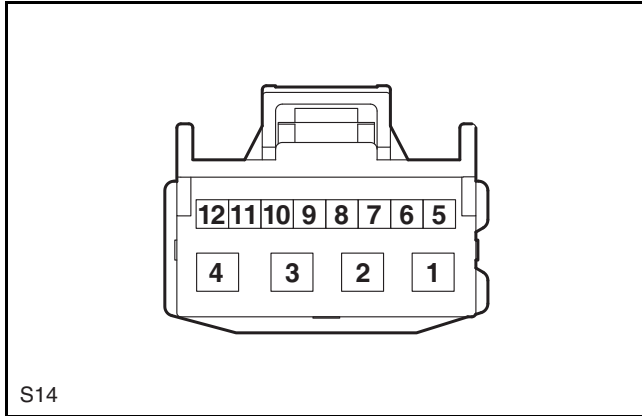


S13 Wiring Harness Connector Pin Definition

Pin No.	Wire Diameter/Color	Function
1	0.35 W	Rearview Mirror Position Sensor Grounding
2	0.35 WH/RD	Rearview Mirror Position Sensor Power Supply
3	1.5 RD	Driver Heater Power Supply
4	0.35 BU	Left Rearview Mirror Horizontal Adjustment Output
5	0.35 BU/WH	Left Rearview Mirror Up-Down Adjustment Output
6	0.35 BU/WH	Left Rearview Mirror Horizontal Position Sensor
7	0.35 BN/WH	Left Rearview Mirror Up-Down Position Sensor
8	0.35 LG	Right Rearview Mirror Up-Down Adjustment Output
9	0.35 BU/GN	Right Rearview Mirror Horizontal Adjustment Output
10	0.35 BU/GN	Right Rearview Mirror Horizontal Position Sensor
11	0.35 LG/BK	Right Rearview Mirror Up-Down Position Sensor
12	-	-
13	-	-
14	-	-
15	-	-
16	-	-
17	-	-
18	-	-
19	0.35 YE/RD	Memory Setting Switch LED Driver
20	0.35 YE/BK	Seat Memory Setting Button
21	0.35 VT/WH	Seat Memory Selection Button
22	0.35 PK/BK	Left Rearview Mirror Up-Down Output
23	0.35 PK/GN	Left Rearview Mirror Left-Right Output
24	0.35 PK/BU	Right Rearview Mirror Up-Down Output
25	0.35 RD/BU	Right Rearview Mirror Left-Right Output
26	0.5 VT/GN	Rearview Mirror Button Common End

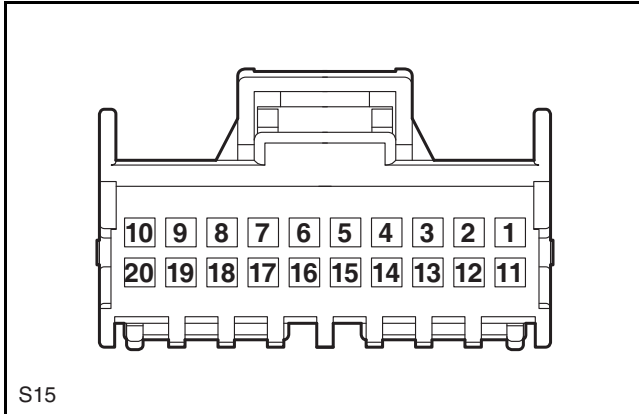
Pin No.	Wire Diameter/Color	Function
27	2.5 RD/YE	Left Rearview Mirror Motor Adjustment Common End
28	0.35 YE/GN	Rearview Mirror Switch/Memory Switch/Driver/Front Passenger NTC -/Seat Switch Adjustment -
29	2.5 VT	Right Rearview Mirror Motor Adjustment Common End
30	0.35 PK	Seat Memory Setting Button
31	0.35 OG/BK	Seat Memory Selection Button
32	-	-
33	-	-
34	-	-

External Power Amplifier A

**S14 Wiring Harness Connector Pin Definition**

Pin No.	Wire Diameter/Color	Function
1	1.0 YE	Constant Power Supply
2	1.0 YE	Constant Power Supply
3	1.0 BK	Grounding
4	1.0 BK	Grounding
5	0.5 GY/BK	FR-
6	0.5 GY/RD	FR+
7	0.5 WH/BK	FL-
8	0.5 VT/BK	FL+
9	0.5 PK/WH	RL-
10	0.5 RD/GN	RL+
11	0.5 GN/RD	RR-
12	0.5 GN/VT	RR+

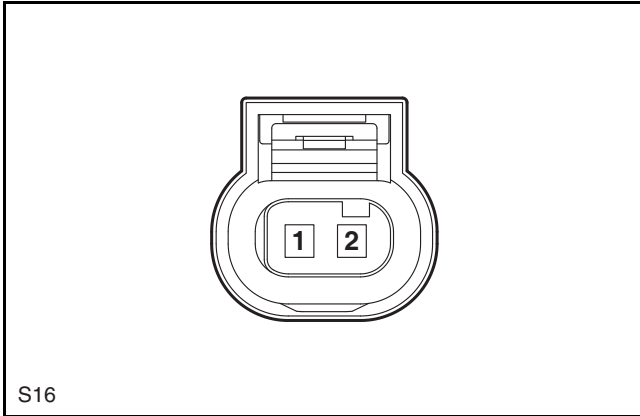
External Power Amplifier B



S15 Wiring Harness Connector Pin Definition

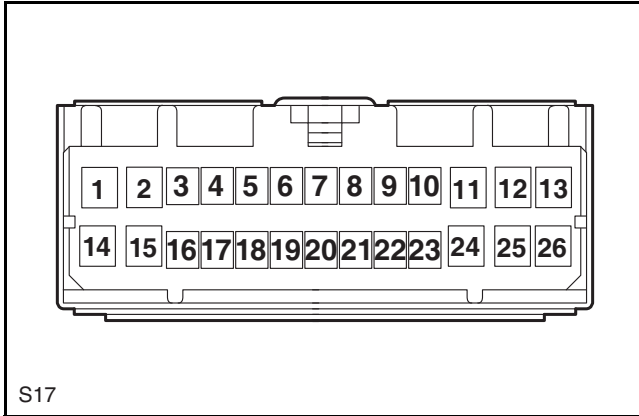
Pin No.	Wire Diameter/Color	Function
1	0.5 VT	Middle Speaker +
2	0.5 BN	Surround Speaker +
3	0.5 RD/YE	Subwoofer -
4	0.5 OG/BK	Subwoofer +
5	0.5 WH/GN	Subwoofer -
6	0.5 WH/BK	Subwoofer +
7	-	-
8	-	-
9	0.5 VT	A2B Bus N
10	0.5 BU	A2B Bus P
11	0.5 VT/WH	Central Speaker -
12	0.5 OG	Surround Speaker -
13	0.5 RD/BU	Headrest Speaker Left -
14	0.5 WH/YE	Headrest Speaker Left +
15	0.5 BU/WH	Headrest Speaker Right -
16	0.5 PK/WH	Headrest Speaker Right +
17	0.35 BK/WH	IG1 Power Supply
18	-	-
19	0.35 PK/BK	ICAN-L
20	0.35 PK	ICAN-H

Driver Side Collision Sensor

**S16 Wiring Harness Connector Pin Definition**

Pin No.	Wire Diameter/Color	Function
1	0.5 BN/GN	Side Collision Negative
2	0.5 VT	Side Collision Positive

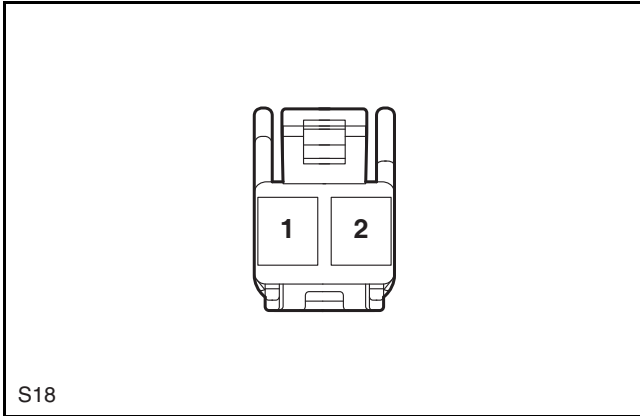
4WD Controller



S17 Wiring Harness Connector Pin Definition

Pin No.	Wire Diameter/Color	Function
1	-	-
2	-	-
3	-	-
4	0.35 GY	4WD Switch Input
5	-	-
6	-	-
7	-	-
8	0.35 LG	CAN-H
9	0.35 LG/BK	CAN-L
10	-	-
11	0.75 RD	Coil Output Signal
12	0.75 BK	Grounding
13	0.75 OG	Constant Power Supply
14	-	-
15	-	-
16	0.35 BU	Mode Select Input
17	-	-
18	-	-
19	-	-
20	-	-
21	-	-
22	-	-
23	0.35 BU/YE	IG+
24	0.75 RD/WH	Coil Return Grounding Wire
25	-	-
26	-	-

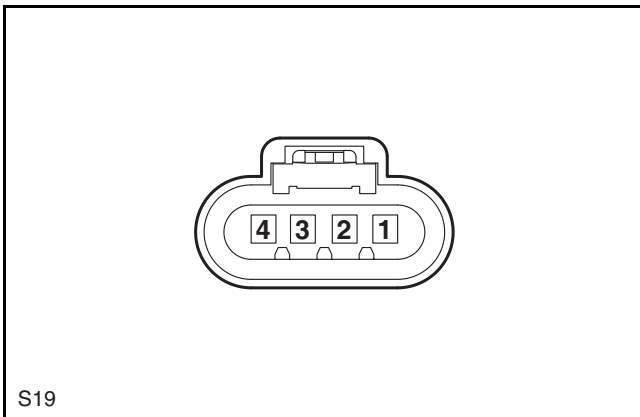
Left Front Door Contact Switch



S18 Wiring Harness Connector Pin Definition

Pin No.	Wire Diameter/Color	Function
1	0.35 BK	Left Front Door Contact Switch Grounding
2	0.35 WH/BK	Left Front Door Contact Switch Power Supply

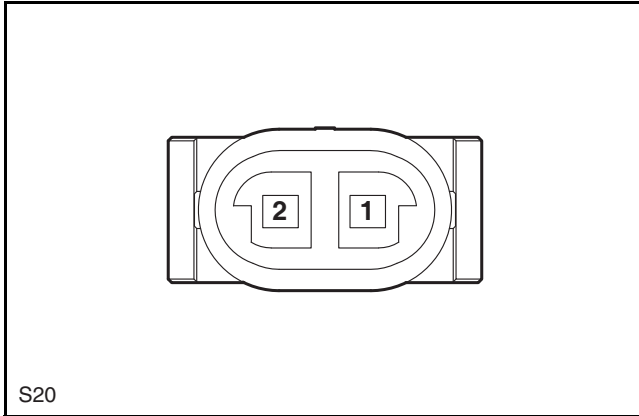
Fuel Pump



S19 Wiring Harness Connector Pin Definition

Pin No.	Wire Diameter/Color	Function
1	1.5 BU/WH	Power Supply
2	0.35 BN/WH	Fuel Level Signal
3	0.35 YE/RD	Fuel Level Sensor Grounding
4	1.5 BK	Grounding

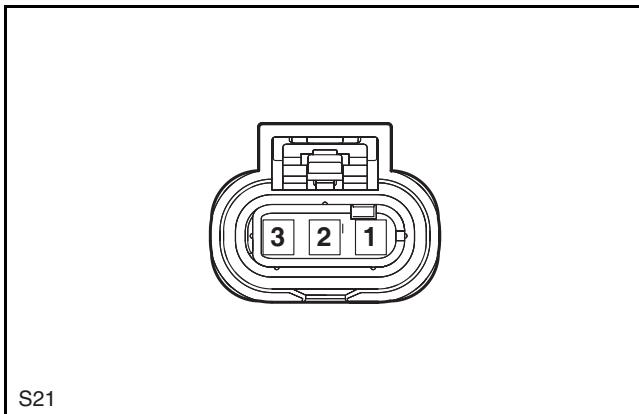
4WD Torque Sensor



S20 Wiring Harness Connector Pin Definition

Pin No.	Wire Diameter/Color	Function
1	0.75 RD	Coil Input
2	0.75 RD/WH	Coil Grounding Wire

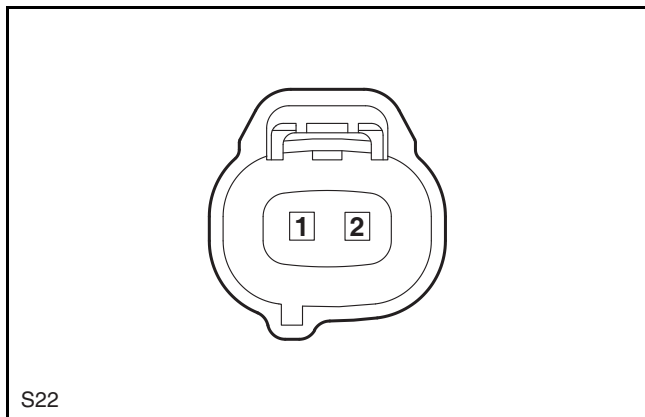
Fuel Tank Pressure Sensor



S21 Wiring Harness Connector Pin Definition

Pin No.	Wire Diameter/Color	Function
1	0.5 PK/BU	Fuel Tank Pressure Sensor Signal Output
2	0.5 GN/BU	Fuel Tank Pressure Sensor Signal Grounding
3	0.5 GY/BU	Fuel Tank Pressure Sensor Power Supply

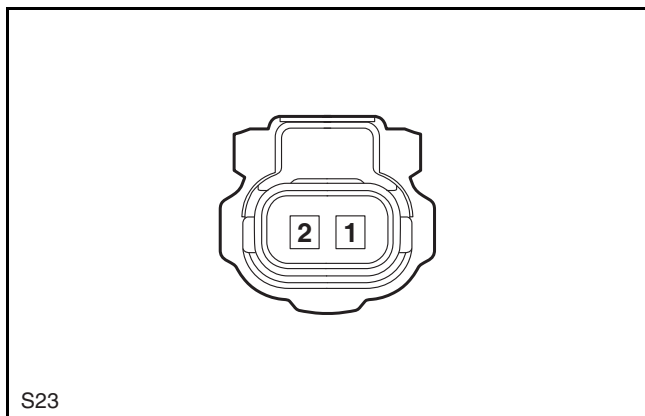
Carbon Canister Stop Valve



S22 Wiring Harness Connector Pin Definition

Pin No.	Wire Diameter/Color	Function
1	0.5 BU/WH	Carbon Canister Stop Valve Signal
2	0.5 WH	Main Relay Power Supply

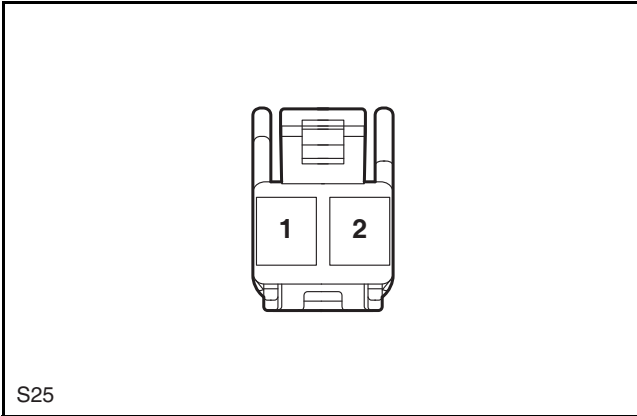
Middle Antenna



S23 Wiring Harness Connector Pin Definition

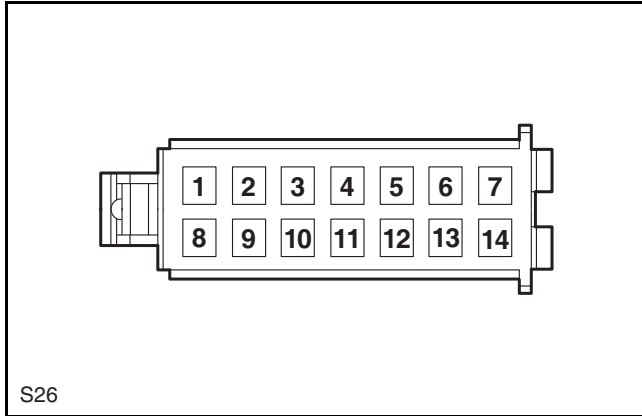
Pin No.	Wire Diameter/Color	Function
1	0.35 GY/OG	Middle Antenna +
2	0.35 BU/WH	Middle Antenna -

Left Rear Door Contact Switch

**S25 Wiring Harness Connector Pin Definition**

Pin No.	Wire Diameter/Color	Function
1	0.35 BK	Left Rear Door Contact Switch Signal Grounding
2	0.35 GN/BU	Left Rear Door Contact Switch Signal Power Supply

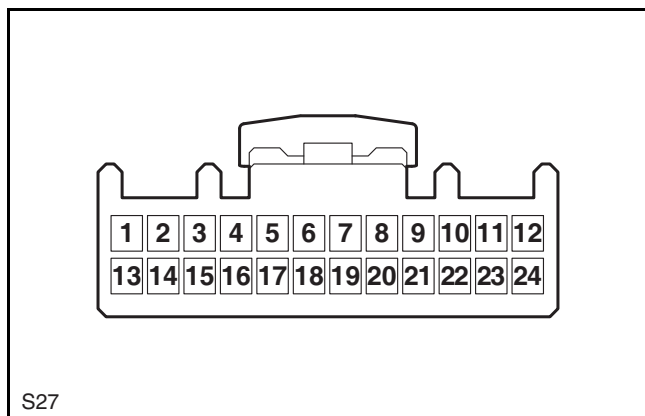
Back Door Controller 2



S26 Wiring Harness Connector Pin Definition

Pin No.	Wire Diameter/Color	Function
1	0.75 OG	Lock Motor to Wire End (Unlock Door)
2	0.75 GN	Lock Motor to Wire End (Lock Door)
3	-	-
4	-	-
5	2.5 BK	Power Grounding
6	-	-
7	-	-
8	-	-
9	2.5 BN	Electric Power
10	-	-
11	-	-
12	-	-
13	2.5 GN	Drive Strut Rod Motor to Close Door
14	2.5 VT	Drive Strut Rod Motor to Open Door

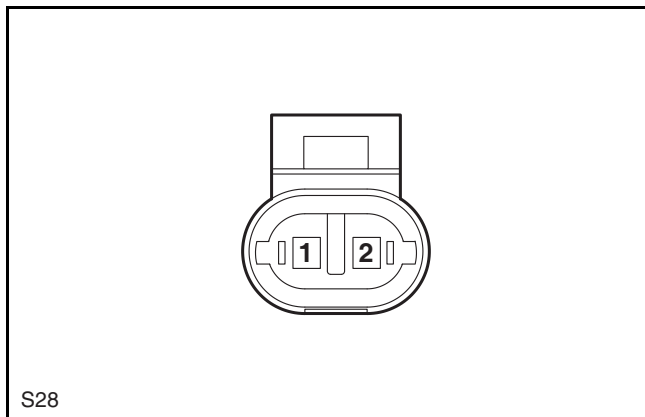
Back Door Controller 1



S27 Wiring Harness Connector Pin Definition

Pin No.	Wire Diameter/Color	Function
1	0.35 WH/YE	Hall Signal 1 Output
2	-	-
3	0.35 GN	CAN-H
4	0.35 GN/BK	CAN-L
5	-	-
6	-	-
7	-	-
8	0.35 WH	Driver Electric Control Button Switch
9	0.35 GN/RD	Full Lock Position Judgement
10	-	-
11	-	-
12	0.35 OG	Half Lock Position Judgement
13	0.5 VT/GN	Digital Power
14	0.35 WH/RD	Hall Grounding
15	0.5 OG/BK	Buzzer Power Supply
16	0.35 BN/WH	Lock Inside Drive Mechanical Reset Signal
17	-	-
18	0.35 WH/GN	Supply Power to Hall Module
19	0.35 GY/GN	Supply Power to Hall Module
20	-	-
21	-	-
22	0.35 WH/BU	Hall Signal 2 Output
23	0.35 BK	GND
24	-	-

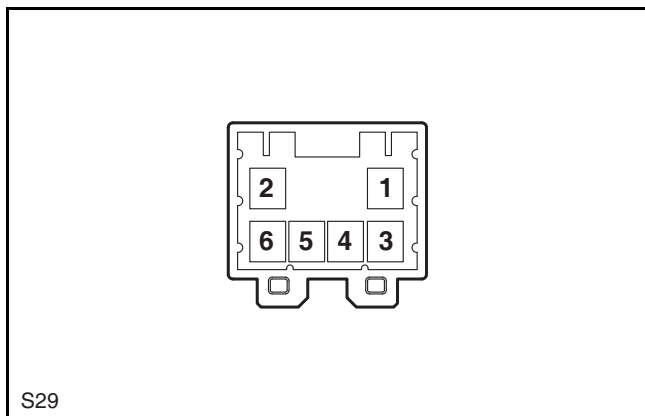
Luggage Compartment Lamp



S28 Wiring Harness Connector Pin Definition

Pin No.	Wire Diameter/Color	Function
1	0.35 OG/BK	Luggage Compartment Lamp Power Supply
2	0.35 BK	Luggage Compartment Lamp Grounding

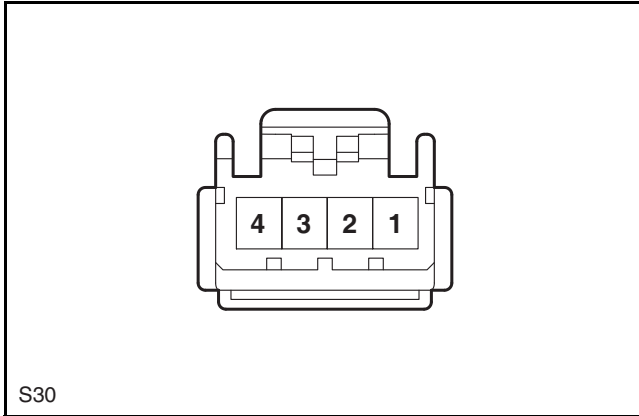
Left Power Strut Rod



S29 Wiring Harness Connector Pin Definition

Pin No.	Wire Diameter/Color	Function
1	2.5 GN	Drive Strut Rod Motor to Open Door
2	2.5 VT	Drive Strut Rod Motor to Close Door
3	0.35 WH/GN	Supply Power to Hall Module
4	0.35 WH/YE	Hall Signal 1 Output
5	0.35 WH/BU	Hall Signal 2 Output
6	0.35 WH/RD	Hall Grounding

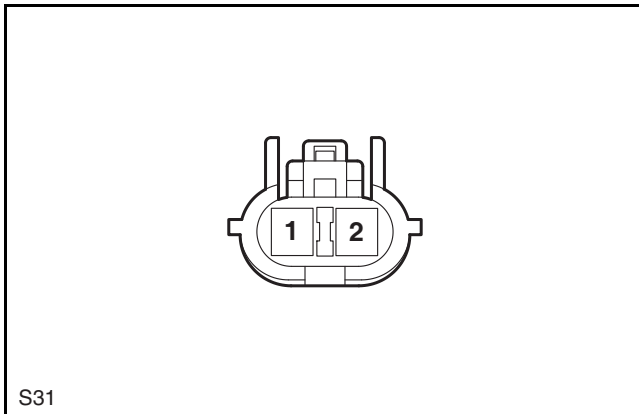
Subwoofer



S30 Wiring Harness Connector Pin Definition

Pin No.	Wire Diameter/Color	Function
1	0.5 WH/GN	Subwoofer -
2	0.5 WH/BK	Subwoofer +
3	0.5 RD/YE	Subwoofer -
4	0.5 OG/BK	Subwoofer +

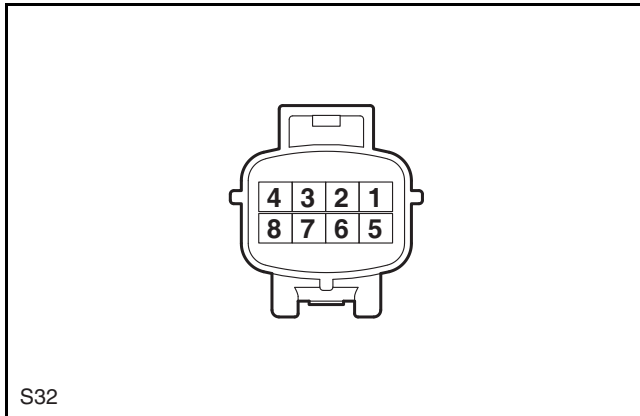
Fuel Tank Cap Motor



S31 Wiring Harness Connector Pin Definition

Pin No.	Wire Diameter/Color	Function
1	0.5 GY/RD	Fuel Tank Cap Motor Lock Signal
2	0.5 RD/WH	Fuel Tank Cap Motor Unlock Signal

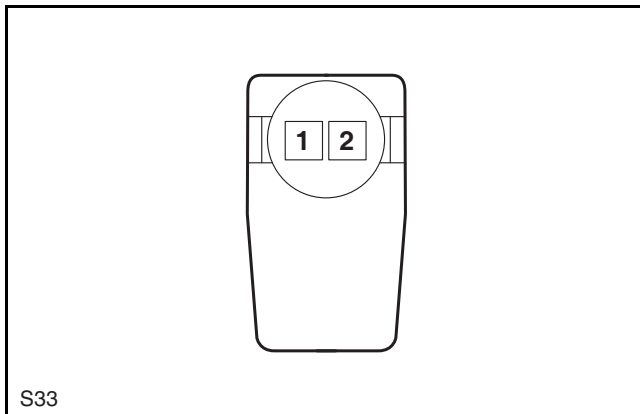
A Tail Lamp - Left



S32 Wiring Harness Connector Pin Definition

Pin No.	Wire Diameter/Color	Function
1	0.5 WH/BK	Water Flow Turn Lamp Positive
2	0.5 GN/WH	Rear Turn Lamp +
3	0.5 VT/WH	Rear Position Lamp +
4	0.5 WH/RD	Brake Lamp +
5	0.5 WH/BU	Rear Turn Lamp Abnormal Alarm
6	0.75 BK	Brake Lamp/Rear Position Lamp/Rear Turn Lamp GND
7	-	-
8	-	-

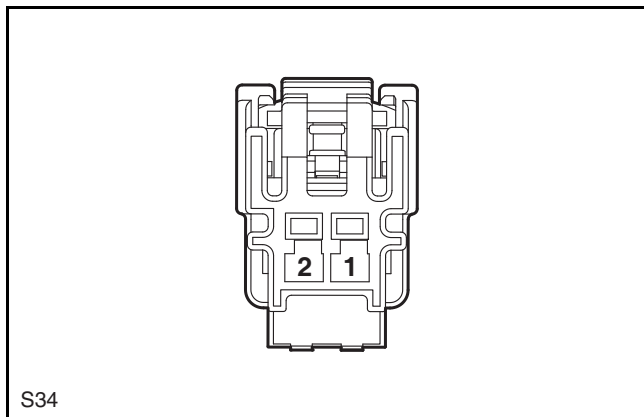
Left Curtain Shield Airbag



S33 Wiring Harness Connector Pin Definition

Pin No.	Wire Diameter/Color	Function
1	0.5 BU	Left Curtain Shield Airbag Negative
2	0.5 GY	Left Curtain Shield Airbag Positive

Left Rear Surround Speaker

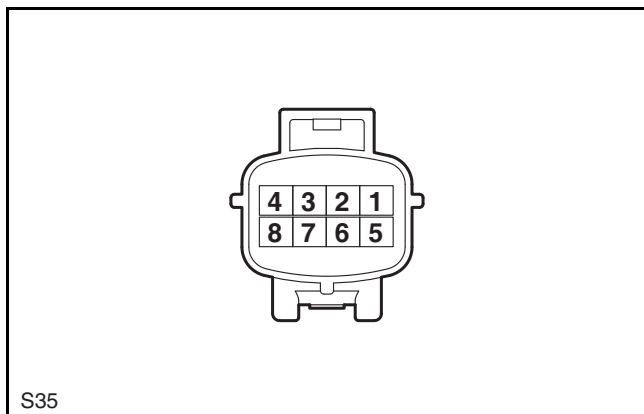


S34

S34 Wiring Harness Connector Pin Definition

Pin No.	Wire Diameter/Color	Function
1	0.5 BN	Left Rear Surround Speaker +
2	0.5 OG	Left Rear Surround Speaker -

A Tail Lamp - Right

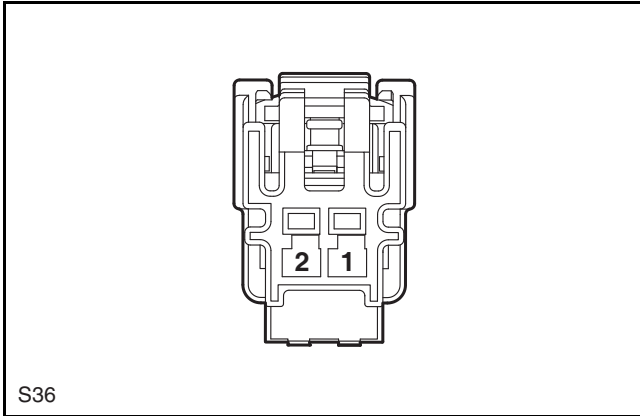


S35

S35 Wiring Harness Connector Pin Definition

Pin No.	Wire Diameter/Color	Function
1	0.5 WH/BK	Water Flow Turn Lamp Positive
2	0.5 VT	Rear Turn Lamp +
3	0.5 VT/WH	Rear Position Lamp +
4	0.5 WH/RD	Brake Lamp +
5	0.5 WH/BU	Rear Turn Lamp Abnormal Alarm
6	0.75 BK	Brake Lamp/Rear Position Lamp/Rear Turn Lamp GND
7	-	-
8	-	-

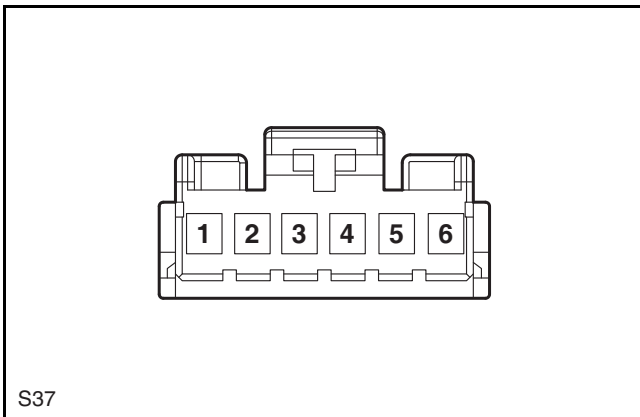
Surround Speaker - Right Rear



S36 Wiring Harness Connector Pin Definition

Pin No.	Wire Diameter/Color	Function
1	0.5 BN	Right Rear Surround Speaker +
2	0.5 OG	Right Rear Surround Speaker -

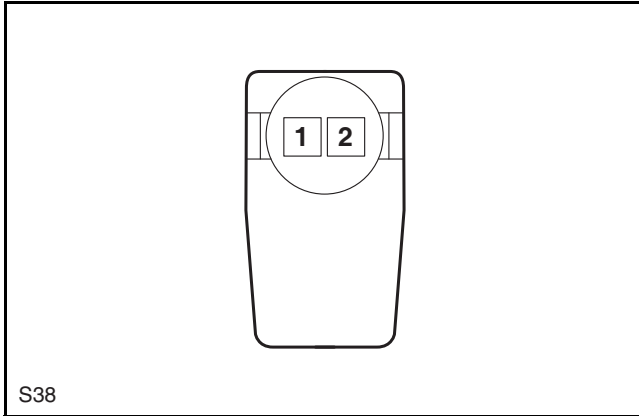
Radio Frequency Receiver



S37 Wiring Harness Connector Pin Definition

Pin No.	Wire Diameter/Color	Function
1	0.35 GN/BK	BCAN-L
2	0.35 GY	LIN Bus
3	0.35 GN	BCAN-H
4	0.5 BK	Grounding
5	-	-
6	0.35 RD/BK	Constant Power Supply

Right Curtain Shield Airbag

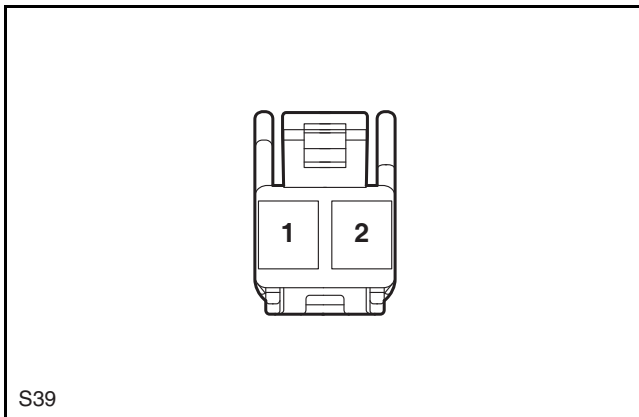


S38

S38 Wiring Harness Connector Pin Definition

Pin No.	Wire Diameter/Color	Function
1	0.5 BU	Right Curtain Shield Airbag Negative
2	0.5 GY	Right Curtain Shield Airbag Positive

Right Rear Door Contact Switch

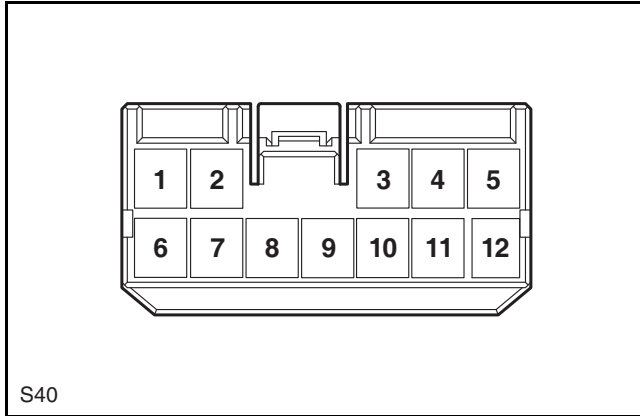


S39

S39 Wiring Harness Connector Pin Definition

Pin No.	Wire Diameter/Color	Function
1	0.35 BK	Right Rear Door Contact Switch Signal Grounding
2	0.35 BU/YE	Right Rear Door Contact Switch Signal Power Supply

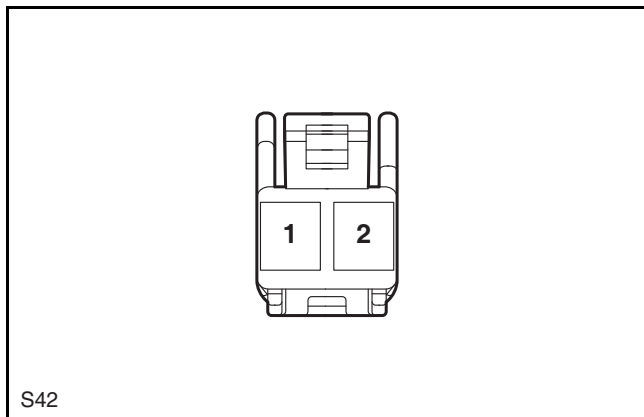
Rear Seat Heating Controller



S40 Wiring Harness Connector Pin Definition

Pin No.	Wire Diameter/Color	Function
1	WH/VT	IGN
2	WH	Rear Right Heater Switch Signal
3	YE	Rear Right Heater Switch Signal
4	BK	Grounding
5	WH/RD	Constant Power Supply
6	WH/BK	Rear Right Heater High Gear Operating Indicator Signal
7	WH/GN	Rear Right Heater Low Gear Operating Indicator Signal
8	-	-
9	YE/BK	Rear Left Heater High Gear Operating Indicator Signal
10	YE/GN	Rear Left Heater High Gear Operating Indicator Signal
11	-	-
12	-	-

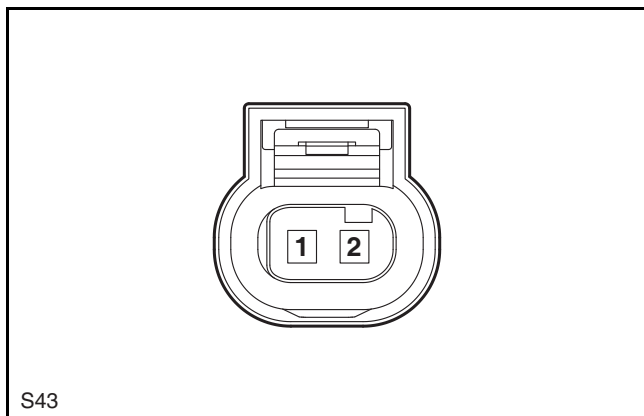
Right Front Door Contact Switch



S42 Wiring Harness Connector Pin Definition

Pin No.	Wire Diameter/Color	Function
1	0.35 BK	Right Front Door Contact Switch Grounding
2	0.35 WH/RD	Right Front Door Contact Switch Power Supply

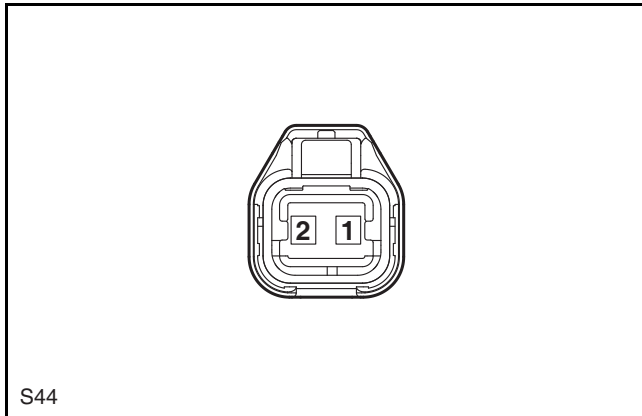
Front Passenger Side Collision Sensor



S43 Wiring Harness Connector Pin Definition

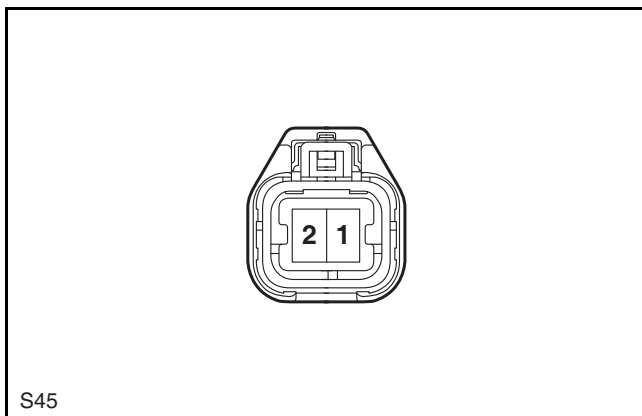
Pin No.	Wire Diameter/Color	Function
1	0.5 PK/WH	Front Passenger Side Collision Sensor -
2	0.5 WH	Front Passenger Side Collision Sensor +

Wheel Speed Sensor - Left Rear

**S44 Wiring Harness Connector Pin Definition**

Pin No.	Wire Diameter/Color	Function
1	0.35 GY/RD	Left Rear Wheel Speed Sensor -
2	0.35 GY/BU	Left Rear Wheel Speed Sensor +

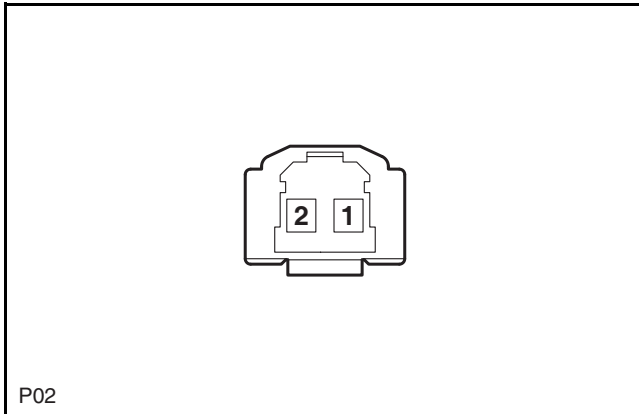
Wheel Speed Sensor - Right Rear

**S45 Wiring Harness Connector Pin Definition**

Pin No.	Wire Diameter/Color	Function
1	0.35 GN/BU	Right Rear Wheel Speed Sensor -
2	0.35 GN/YE	Right Rear Wheel Speed Sensor +

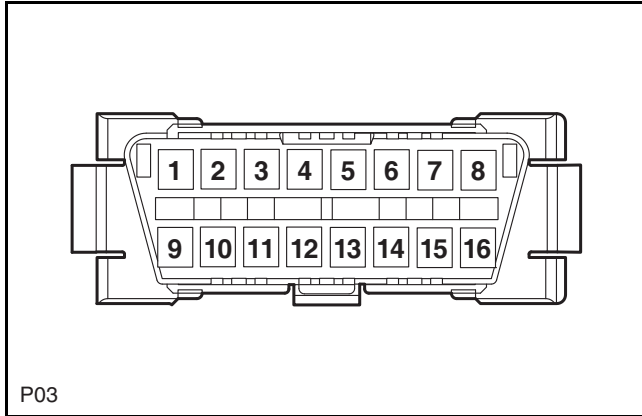
Instrument Panel Wiring Harness Connector (P--)

SOS Speaker

**P02 Wiring Harness Connector Pin Definition**

Pin No.	Wire Diameter/Color	Function
1	0.35 VT	Speaker +
2	0.35 VT/WH	Speaker -

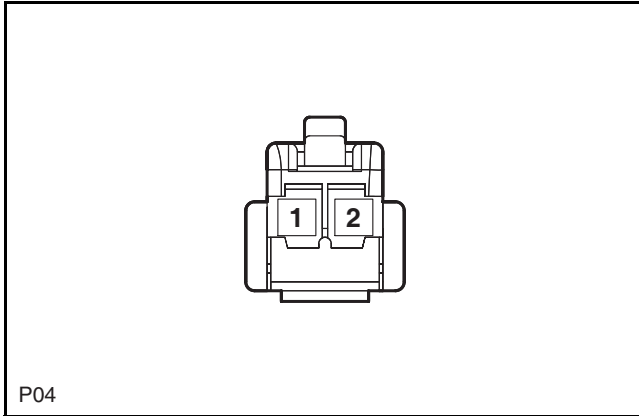
Data Link Connector



P03 Wiring Harness Connector Pin Definition

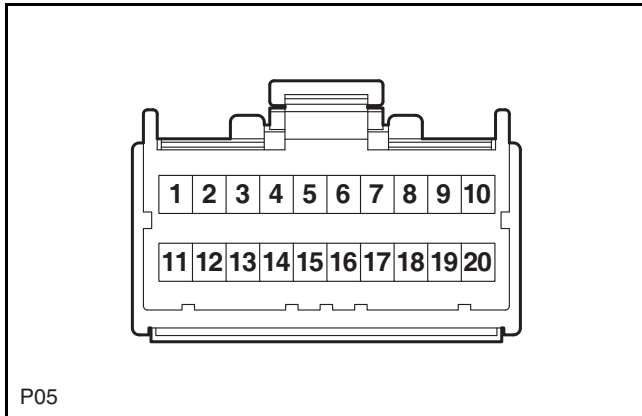
Pin No.	Wire Diameter/Color	Function
1	-	-
2	-	-
3	-	-
4	0.5 BK	Grounding
5	0.5 BK	Grounding
6	0.35 YE	DCAN-H
7	-	-
8	-	-
9	0.35 WH	TBOX CAN-H
10	0.35 WH/BK	TBOX CAN-L
11	-	-
12	-	-
13	-	-
14	0.35 YE/BK	DCAN-L
15	-	-
16	0.5 RD	Constant Power Supply

Speaker 2 (Left Front Door)

**P04 Wiring Harness Connector Pin Definition**

Pin No.	Wire Diameter/Color	Function
1	0.5 VT/BK	Positive
2	0.5 WH/BK	Negative

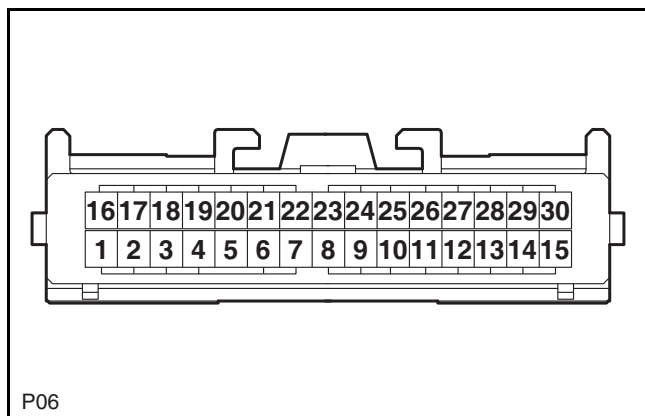
Instrument Panel Switch Box



P05 Wiring Harness Connector Pin Definition

Pin No.	Wire Diameter/Color	Function
1	-	-
2	-	-
3	-	-
4	0.35 WH	Back Door Switch Signal
5	-	-
6	0.35 BK	Back Door Switch Grounding
7	0.35 BK	Backlight Grounding
8	0.35 RD/YE	Backlight Power Supply
9	0.35 PK/BU	Right Rearview Mirror Up-Down Adjustment
10	0.35 PK/BK	Left Rearview Mirror Up-Down Adjustment
11	0.35 GY/GN	Rearview Mirror Folding
12	0.35 VT/GN	Rearview Mirror Adjustment Switch Common End
13	0.35 RD	Power Supply
14	0.35 PK	Switch Grounding
15	-	-
16	0.35 BK	Headlamp Leveling Grounding
17	0.35 GY	Headlamp Leveling Switch Output
18	0.35 GN/YE	Headlamp Leveling Power Supply
19	0.35 RD/BU	Right Rearview Mirror Left-Right Adjustment
20	0.35 PK/GN	Left Rearview Mirror Left-Right Adjustment

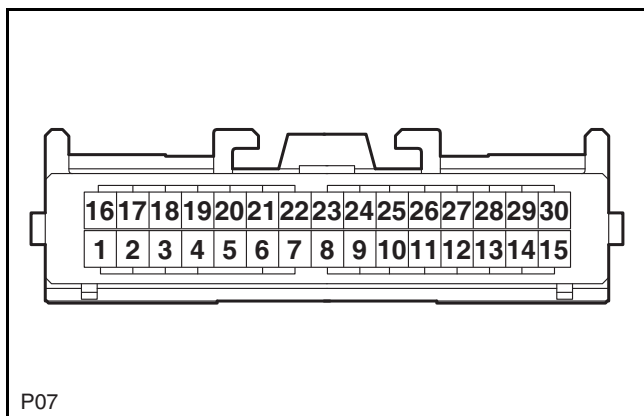
Instrument Cluster CAN Short Circuiter 2

**P06 Wiring Harness Connector Pin Definition**

Pin No.	Wire Diameter/Color	Function
1	0.35 LG	To Gateway PCAN-H
2	0.35 LG	To Electronic Shift Control PCAN-H
3	0.35 LG	To Airbag PCAN-H
4	0.35 LG	To Engine Compartment PCAN-H
5	0.35 LG	4WD Controller PCAN-H
6	-	-
7	-	-
8	-	-
9	-	-
10	-	-
11	-	-
12	0.35 VT	Rotation Angle Sensor EPSCAN-H
13	0.35 VT	IBCM EPSCAN-H
14	0.35 VT	EPSCAN-H
15	0.35 VT	To Gateway EPSCAN-H
16	0.35 LG/BK	To Gateway PCAN-L
17	0.35 LG/BK	To Electronic Shift Control PCAN-L
18	0.35 LG/BK	To Airbag PCAN-L
19	0.35 LG/BK	To Engine Compartment PCAN-L
20	0.35 LG/BK	4WD Controller PCAN-L
21	-	-
22	-	-
23	-	-
24	-	-
25	-	-
26	-	-

Pin No.	Wire Diameter/Color	Function
27	0.35 VT/WH	Rotation Angle Sensor EPSCAN-L
28	0.35 VT/WH	IBCM EPSCAN-L
29	0.35 VT/WH	EPS Signal EPSCAN-L
30	0.35 VT/WH	To Gateway EPSCAN-L

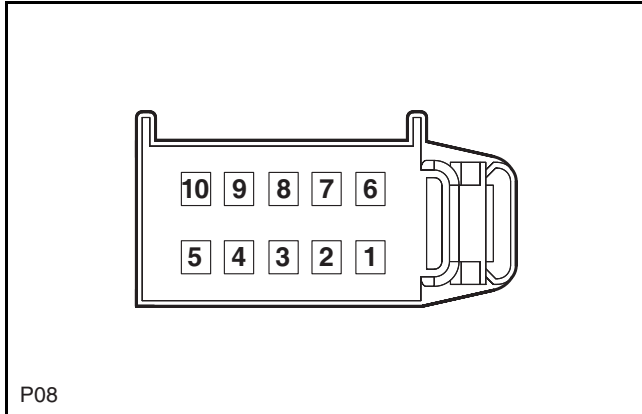
Instrument Cluster CAN Short Circuiter 1

**P07 Wiring Harness Connector Pin Definition**

Pin No.	Wire Diameter/Color	Function
1	0.35 GN	To Gateway BCAN-H
2	0.35 GN	To Chassis BCAN-H
3	0.35 GN	IBCM BCAN-H
4	0.35 GN	A/C Controller BCAN-H
5	-	-
6	-	-
7	-	-
8	-	-
9	-	-
10	-	-
11	0.35 PK	To Wireless Charging ICAN-H
12	0.35 PK	To Chassis ICAN-H
13	0.35 PK	Instrument Cluster ICAN-H
14	0.35 PK	To Entertainment and Audio ICAN-H
15	0.35 PK	To Gateway ICAN-H
16	0.35 GN/BK	To Gateway BCAN-L
17	0.35 GN/BK	To Chassis BCAN-H-L
18	0.35 GN/BK	IBCM BCAN-L
19	0.35 GN/BK	A/C Controller BCAN-L
20	-	-
21	-	-
22	-	-
23	-	-
24	-	-
25	-	-
26	0.35 PK/BK	To Wireless Charging ICAN-L

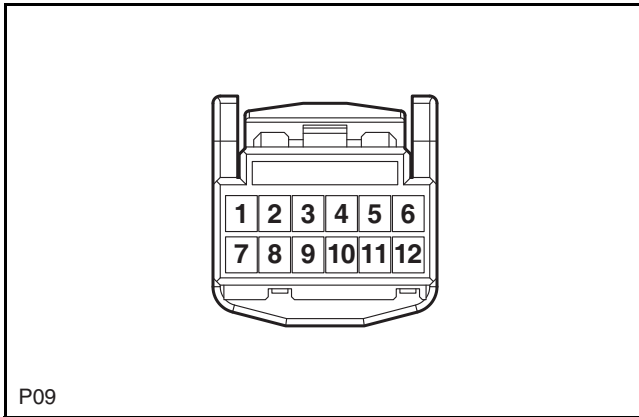
Pin No.	Wire Diameter/Color	Function
27	0.35 PK/BK	To Chassis ICAN-L
28	0.35 PK/BK	Instrument Cluster ICAN-L
29	0.35 PK/BK	To Entertainment Video ICAN-L
30	0.35 PK/BK	To Gateway ICAN-L

Combination Switch - Light

**P08 Wiring Harness Connector Pin Definition**

Pin No.	Wire Diameter/Color	Function
1	-	-
2	0.22 OG	Rear Fog Lamp Switch
3	0.22 PK/GN	High Beam
4	0.22 WH/GN	Overtaking Lamp
5	0.22 BN	Right Turn Lamp Switch
6	0.22 RD	Position Lamp Switch
7	0.35 BK	Grounding
8	0.22 RD/YE	AUTO Switch
9	0.22 PK/WH	Low Beam Switch
10	0.22 BU/WH	Left Turn Lamp Switch

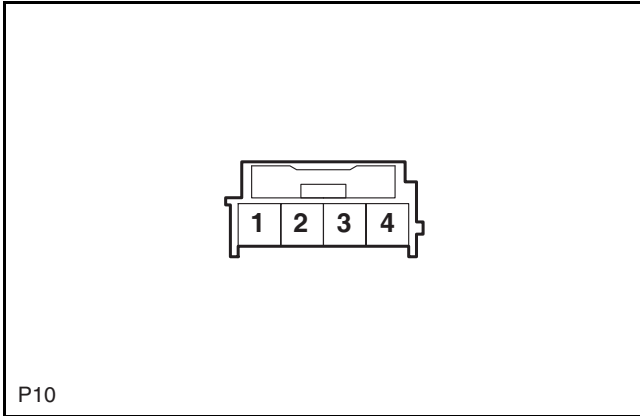
Rotary Connector (Multi-functional Switch,
High-configuration)



P09 Wiring Harness Connector Pin Definition

Pin No.	Wire Diameter/Color	Function
1	0.35 WH	LIN Line Signal
2	0.5 YE/GN	Horn BCM Terminal Output
3	0.35 BK	Backlight and Horn Grounding
4	0.35 RD/YE	Backlight Power Supply
5	0.35 BK	Grounding
6	0.35 GN/WH	Power Supply
7	-	-
8	-	-
9	-	-
10	-	-
11	-	-
12	-	-

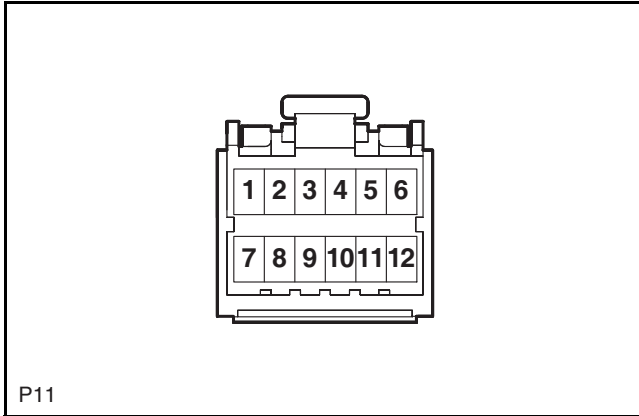
Rotary Connector (Driver Airbag, High-configuration)



P10 Wiring Harness Connector Pin Definition

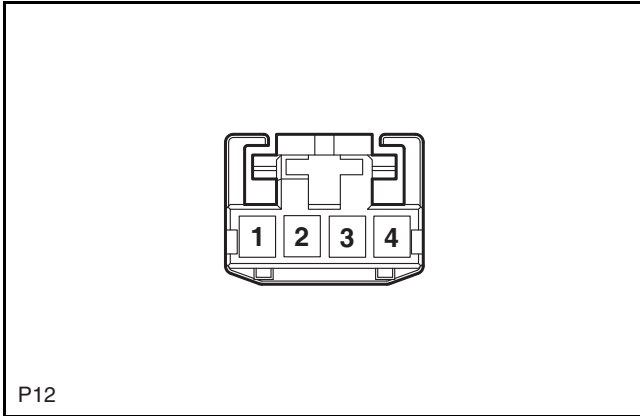
Pin No.	Wire Diameter/Color	Function
1	-	-
2	-	-
3	0.5 VT	Airbag Circuit 2
4	0.5 RD/BU	Airbag Circuit 1

Combination Switch - Wiper

**P11 Wiring Harness Connector Pin Definition**

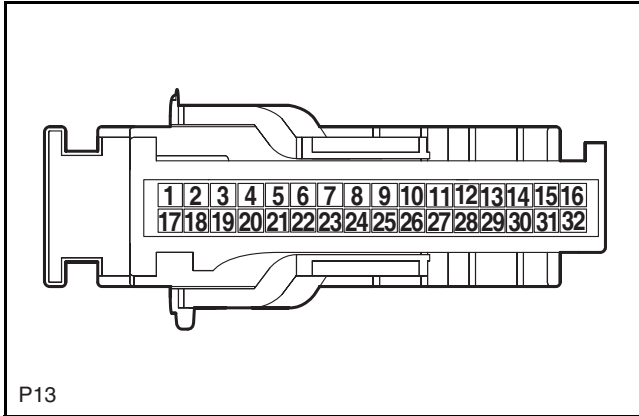
Pin No.	Wire Diameter/Color	Function
1	0.75 GN/RD	Rear Washer Switch
2	0.35 YE/RD	Sensitivity
3	0.35 BU	Automatic
4	0.35 GN	LO
5	-	-
6	0.35 GN	MIST
7	0.75 OG	IGN - Rear
8	0.75 VT	Front Washer Switch
9	0.75 OG	IGN - Front
10	0.35 PK	HI
11	0.35 BU	AUTO
12	0.35 LG	Rear Wiper Switch

Rotation Angle Sensor

**P12 Wiring Harness Connector Pin Definition**

Pin No.	Wire Diameter/Color	Function
1	0.35 VT/WH	CAN Low
2	0.35 VT	CAN High
3	0.35 RD/GN	IG Power Supply
4	0.35 BK	Grounding

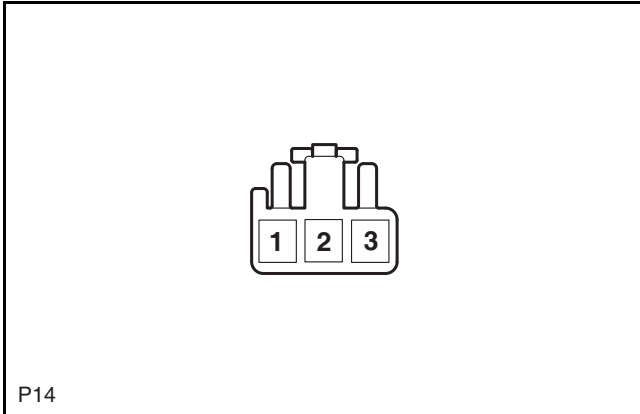
Instrument Cluster Head Unit Controller

**P13 Wiring Harness Connector Pin Definition**

Pin No.	Wire Diameter/Color	Function
1	-	-
2	-	-
3	-	-
4	0.35 GN/OG	Brake Fluid Level Signal
5	-	-
6	0.22 BU/WH	Anti-theft Indicator
7	0.35 VT/WH	Right Blind Spot Indicator Driver
8	0.35 GN/RD	Left Blind Spot Indicator Driver
9	0.35 BN/WH	Fuel Level Signal
10	-	-
11	-	-
12	0.35 YE/RD	Fuel Level Sensor Grounding
13	0.5 BK	Instrument Cluster Grounding
14	-	-
15	0.5 OG/BK	IG1 Power Supply
16	0.5 GN/WH	Power Supply
17	-	-
18	-	-
19	-	-
20	-	-
21	-	-
22	-	-
23	-	-
24	-	-
25	-	-
26	-	-

Pin No.	Wire Diameter/Color	Function
27	-	-
28	-	-
29	0.35 PK/BK	Vehicle ICAN-L
30	0.35 PK	Vehicle ICAN-H

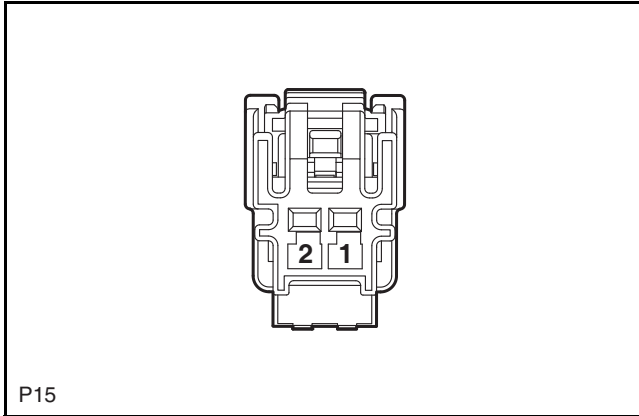
Atmosphere Lamp - Instrument Cluster Left



P14 Wiring Harness Connector Pin Definition

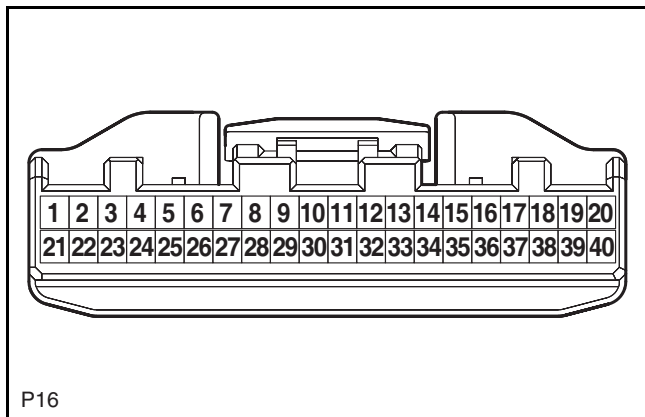
Pin No.	Wire Diameter/Color	Function
1	0.35 RD	Constant Power Supply
2	0.35 VT	LIN Signal
3	0.35 BK	Grounding

Center Speaker

**P15 Wiring Harness Connector Pin Definition**

Pin No.	Wire Diameter/Color	Function
1	0.5 VT	Speaker +
2	0.5 VT/WH	Speaker -

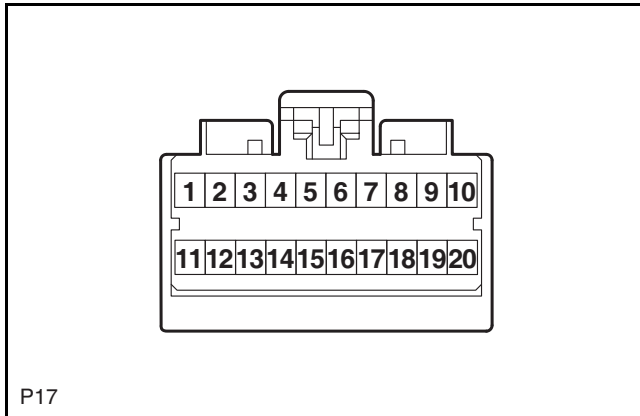
TBOX

**P16 Wiring Harness Connector Pin Definition**

Pin No.	Wire Diameter/Color	Function
1	0.5 RD/WH	Power Supply + (12V)
2	0.5 RD/GN	ACC
3	0.35 YE	Mute -
4	-	-
5	-	-
6	0.35 WH	CAN_H
7	0.35 WH/BK	CAN_L
8	-	-
9	-	-
10	-	-
11	-	-
12	-	-
13	-	-
14	0.35 VT	Speaker +
15	0.35 VT/WH	Speaker -
16	0.22 GN/BK	Speaker +
17	0.22 PK	Speaker -
18	-	-
19	-	-
20	-	-
21	-	-
22	-	-
23	-	-
24	-	-
25	-	-
26	-	-

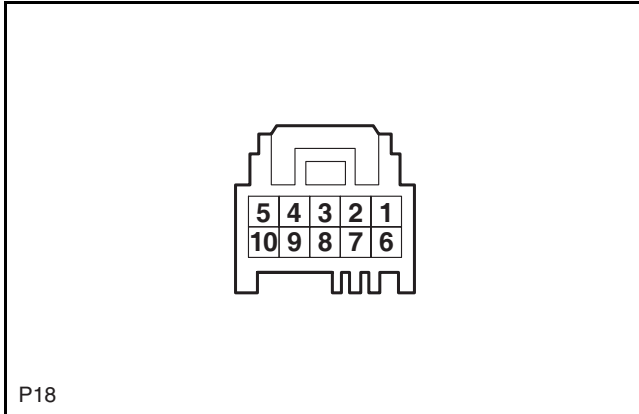
Pin No.	Wire Diameter/Color	Function
27	-	-
28	0.5 BK	Grounding
29	-	-
30	-	-
31	-	-
32	-	-
33	-	-
34	-	-
35	-	-
36	-	-
37	-	-
38	-	-
39	-	-
40	-	-

Gateway

**P17 Wiring Harness Connector Pin Definition**

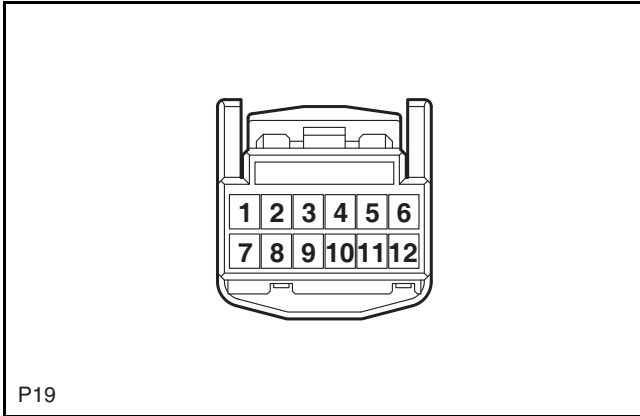
Pin No.	Wire Diameter/Color	Function
1	0.35 VT	EPSCAN-H
2	0.35 VT/WH	EPSCAN-L
3	0.35 OG	DataCANFD-H
4	0.35 OG/BK	DataCANFD-L
5	0.35 GN	BCAN-H
6	0.35 PK	ICAN-H
7	-	-
8	0.35 YE	Diag CANFD-H
9	0.35 LG	PCAN-H
10	0.35 BU	ADAS CANFD-H
11	0.35 BK	Grounding
12	0.35 RD/BK	Constant Power Supply
13	0.35 RD/GN	IG1 Power Supply
14	0.35 WH	LIN Line Signal
15	0.35 GN/BK	BCAN-L
16	0.35 PK/BK	ICAN-L
17	-	-
18	0.35 YE/BK	Diag CANFD-L
19	0.35 LG/BK	PCAN-L
20	0.35 BU/YE	ADAS CANFD-L

ENGINE START STOP Switch

**P18 Wiring Harness Connector Pin Definition**

Pin No.	Wire Diameter/Color	Function
1	0.35 YE/GN	SW-IN1
2	0.35 WH/BU	SW-IN2
3	0.35 YE/BK	Grounding
4	-	-
5	0.35 GY/OG	W-LED
6	0.35 RD/YE	G-LED
7	-	-
8	-	-
9	-	-
10	-	-

Central Control Display

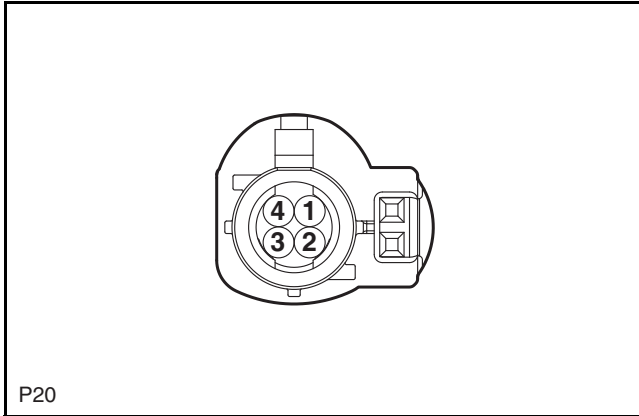


P19

P19 Wiring Harness Connector Pin Definition

Pin No.	Wire Diameter/Color	Function
1	0.35 RD/YE	Backlight Power Supply
2	0.35 OG/BK	IG1 Power Supply
3	-	-
4	0.35 BK	Grounding
5	-	-
6	0.35 RD	Constant Power Supply
7	-	-
8	-	-
9	-	-
10	-	-
11	-	-
12	0.35 BN	LIN

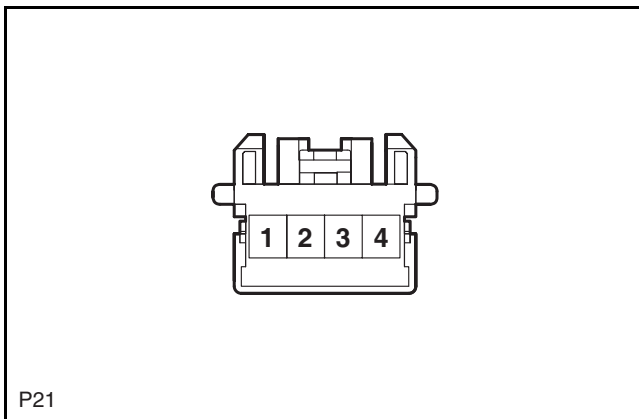
Front Display



P20 Wiring Harness Connector Pin Definition

Pin No.	Wire Diameter/Color	Function
1	-	Transmission Line

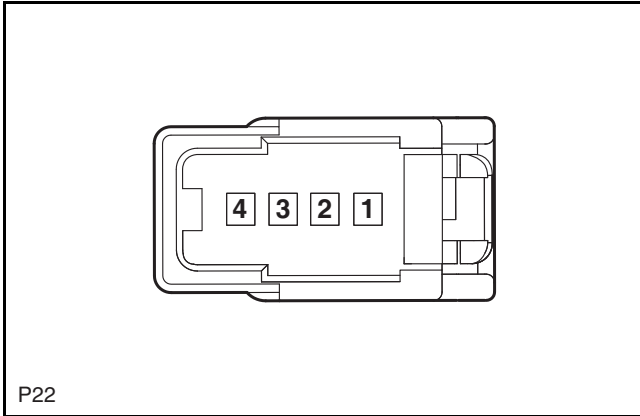
Emergency Alarm Switch



P21 Wiring Harness Connector Pin Definition

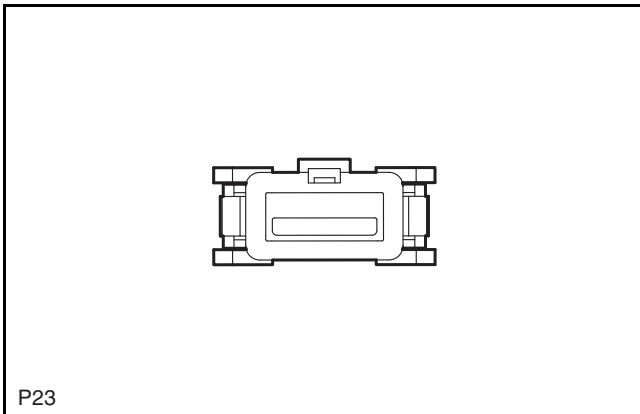
Pin No.	Wire Diameter/Color	Function
1	0.35 BK	Backlight Grounding
2	0.35 GY	To IBCM
3	0.35 BK	Signal Grounding
4	0.35 RD/YE	Backlight Power Supply

Drive Recorder

**P22 Wiring Harness Connector Pin Definition**

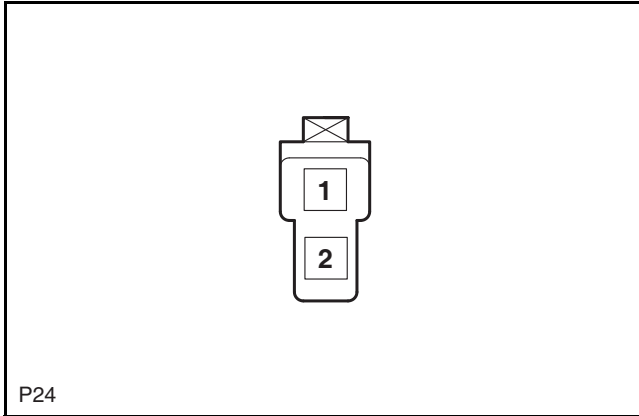
Pin No.	Wire Diameter/Color	Function
1	-	Transmission Line
2	-	Transmission Line
3	-	Transmission Line
4	-	Transmission Line

Data Reading

**P23 Wiring Harness Connector Pin Definition**

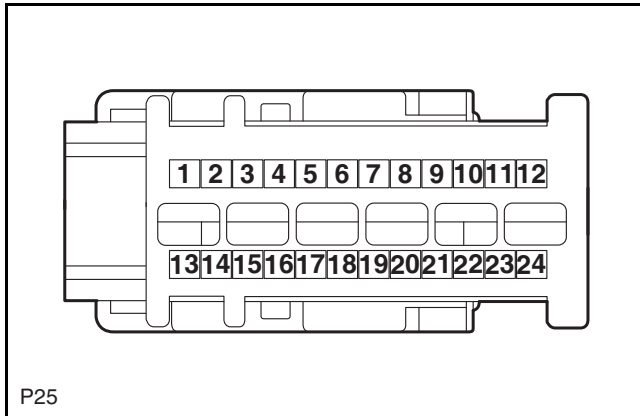
Pin No.	Wire Diameter/Color	Function
1	-	Transmission Line

Power Outlet

**P24 Wiring Harness Connector Pin Definition**

Pin No.	Wire Diameter/Color	Function
1	1.0 BK	Grounding
2	1.0 OG	ACC Power Supply

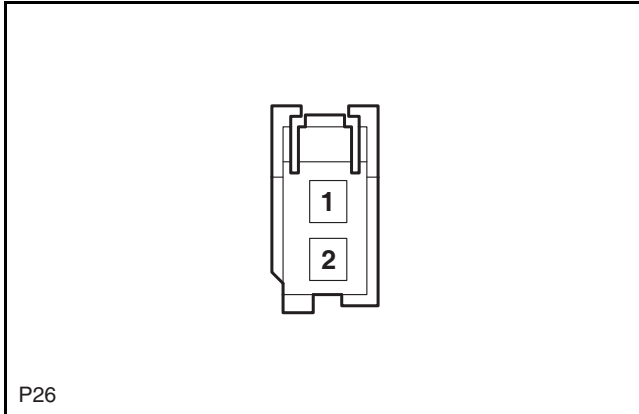
Airbag Control Unit A



P25 Wiring Harness Connector Pin Definition

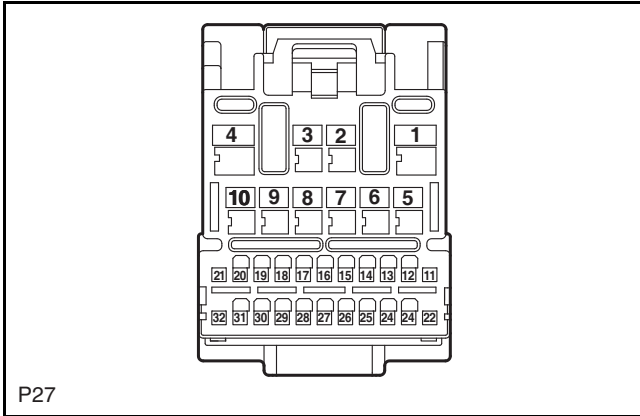
Pin No.	Wire Diameter/Color	Function
1	0.5 RD	IG Power Supply
2	0.35 WH	Collision Output
3	0.35 WH/YE	Passenger Seat Belt Buckle Connected with Passenger Detection Seat Cushion in Series
4	-	-
5	0.35 OG/WH	Rear Center Seat Belt Buckle
6	0.35 WH/GN	Analog Grounding
7	0.5 VT/GN	Driver Side Front Collision Acceleration Sensor -
8	0.5 VT/BK	Driver Side Front Collision Acceleration Sensor +
9	0.5 GN/BU	Passenger Side Front Collision Acceleration Sensor +
10	0.5 GN/VT	Passenger Side Front Collision Acceleration Sensor -
11	0.35 LG/BK	PCAN_L
12	0.35 LG	PCAN_H
13	0.35 OG/BK	Driver Seat Belt Buckle
14	-	-
15	0.5 BK	Power Supply Grounding
16	-	-
17	0.5BN	Driver Seat Belt Pretensioner -
18	0.5 PK	Driver Seat Belt Pretensioner +
19	0.5 OG	Passenger Seat Belt Pretensioner +
20	0.5 BU	Passenger Seat Belt Pretensioner -
21	0.5 BK	Front Passenger Frontal Airbag -
22	0.5 YE	Front Passenger Frontal Airbag +
23	0.5 RD/BU	Driver Frontal Airbag +
24	0.5 VT	Driver Frontal Airbag -

Front USB2 (Fast Charging)

**P26 Wiring Harness Connector Pin Definition**

Pin No.	Wire Diameter/Color	Function
1	0.5 BK	Grounding
2	0.5 RD/BK	ACC Power Supply

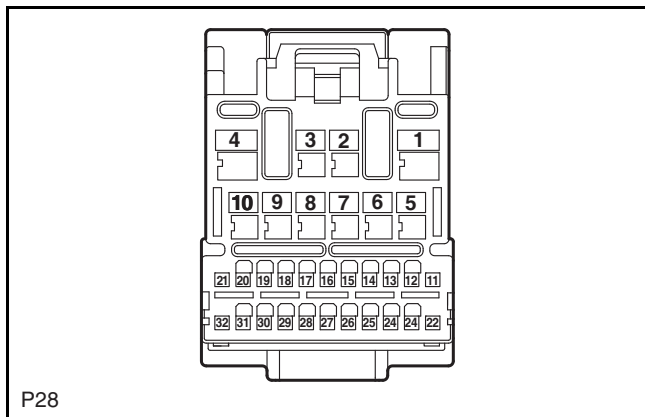
Entertainment and Audio Head Unit - A

**P27 Wiring Harness Connector Pin Definition**

Pin No.	Wire Diameter/Color	Function
1	1.5 BK	Grounding
2	-	-
3	-	-
4	1.5 WH/BK	Power Supply
5	-	-
6	-	-
7	-	-
8	-	-
9	-	-
10	-	-
11	0.35 RD	ACC Power Supply
12	-	-
13	0.35 PK/BK	CAN-L
14	0.35 PK	CAN-H
15	0.35 BK/WH	Reversing Trigger Signal
16	-	-
17	-	-
18	0.35 YE/BK	Panoramic Enable Switch
19	-	-
20	-	-
21	-	-
22	-	-
23	-	-
24	-	-
25	-	-
26	-	-

Pin No.	Wire Diameter/Color	Function
27	-	-
28	-	-
29	0.35 RD	Microphone 1 Signal
30	0.35 BU/WH	Microphone 1 Signal Grounding
31	0.35 VT/WH	Microphone 2 Signal
32	0.35 VT	Microphone 2 Signal Grounding

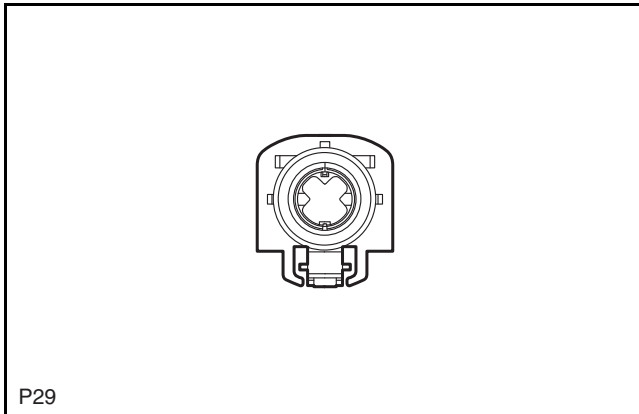
Entertainment and Audio Head Unit - B

**P28 Wiring Harness Connector Pin Definition**

Pin No.	Wire Diameter/Color	Function
1	-	-
2	-	-
3	-	-
4	-	-
5	-	-
6	-	-
7	-	-
8	-	-
9	-	-
10	0.35 BU/GN	Panoramic Enable Switch
11	-	-
12	-	-
13	-	-
14	0.35 OG/BK	CAN-L
15	0.35 OG	CAN-H
16	-	-
17	-	-
18	-	-
19	-	-
20	-	-
21	-	-
22	-	-
23	-	-
24	-	-
25	0.35 YE	T-BOX
26	-	-

Pin No.	Wire Diameter/Color	Function
27	-	-
28	-	-
29	-	-
30	0.5 VT	A2B Bus N
31	0.5 BU	A2B Bus P
32	0.35 BK	Video Shield Signal

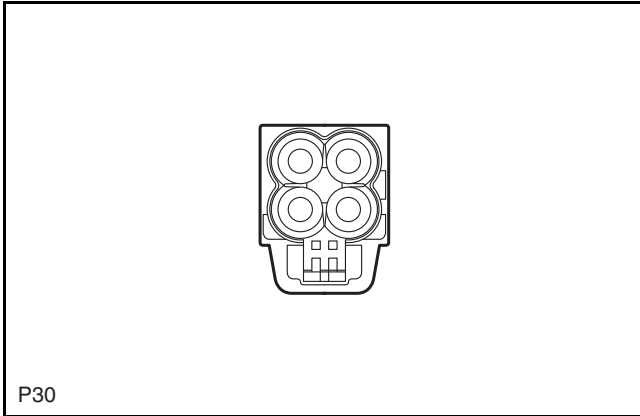
Head Unit to Instrument Cluster Display (Purple)



P29 Wiring Harness Connector Pin Definition

Pin No.	Wire Diameter/Color	Function
1	-	Transmission Line

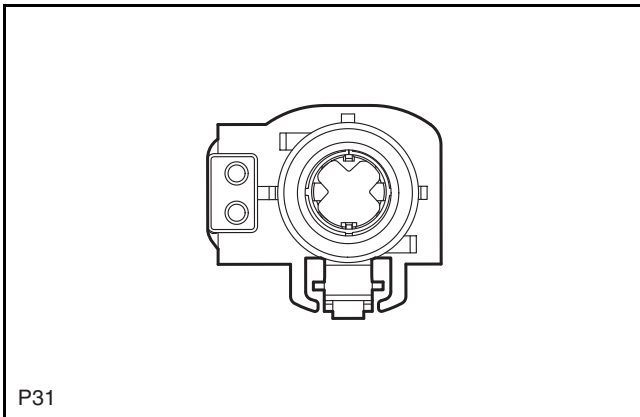
Head Unit to Panoramic Four-Way Coaxial (Black)



P30 Wiring Harness Connector Pin Definition

Pin No.	Wire Diameter/Color	Function
1	-	Transmission Line

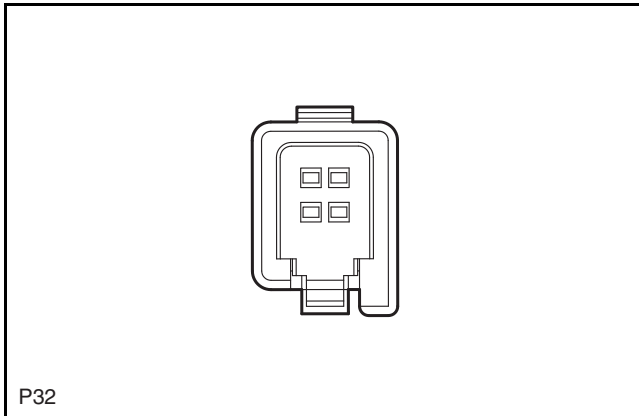
Head Unit to Front Display (White)



P31 Wiring Harness Connector Pin Definition

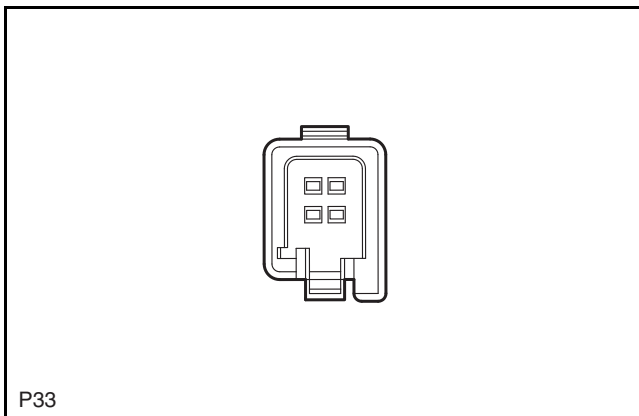
Pin No.	Wire Diameter/Color	Function
1	-	Transmission Line

USB for User (Brown)

**P32 Wiring Harness Connector Pin Definition**

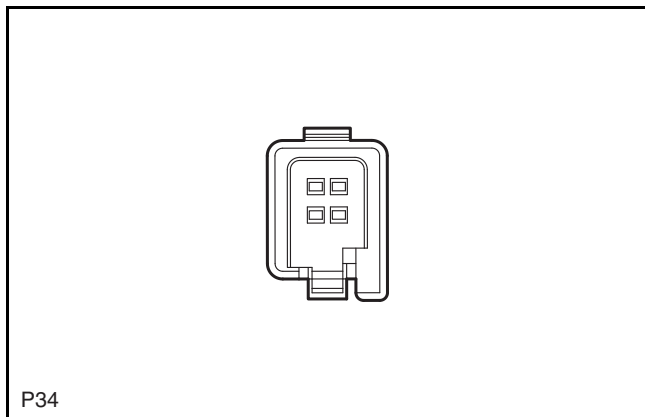
Pin No.	Wire Diameter/Color	Function
1	-	USB Cable

USB for Instrument Cluster (Black)

**P33 Wiring Harness Connector Pin Definition**

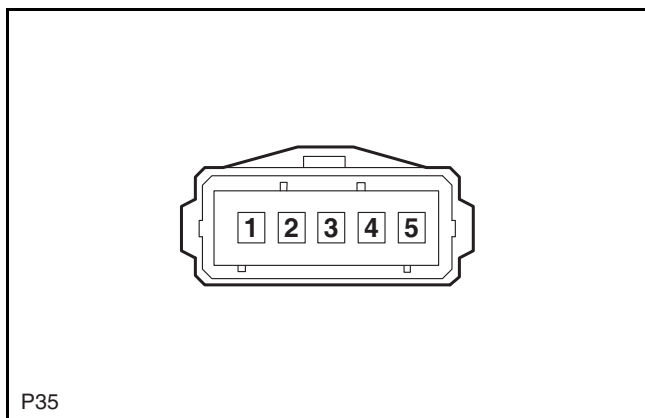
Pin No.	Wire Diameter/Color	Function
1	-	USB Cable

USB for Drive Recorder (Green)

**P34 Wiring Harness Connector Pin Definition**

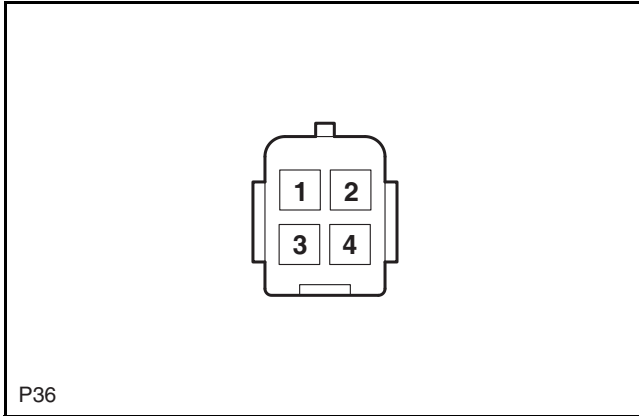
Pin No.	Wire Diameter/Color	Function
1	-	USB Cable

Front A/C Mode Servo Motor

**P35 Wiring Harness Connector Pin Definition**

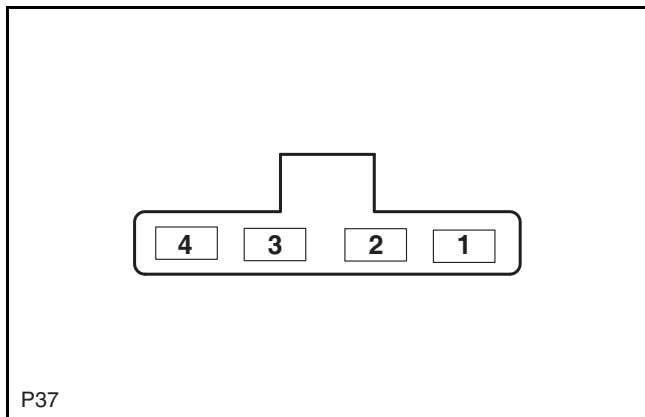
Pin No.	Wire Diameter/Color	Function
1	0.35 WH/GN	5V Power Supply +
2	0.35 OG/BK	Mode Damper Position Feedback Signal
3	0.35 BU/WH	Signal Grounding (Motor Feedback)
4	0.35 GN/YE	Mode Damper Drive Signal (Defrost at +)
5	0.35 BU/YE	Mode Damper Drive Signal (Face at +)

Front A/C Passenger Side Air Mix Servo Motor

**P36 Wiring Harness Connector Pin Definition**

Pin No.	Wire Diameter/Color	Function
1	0.35 WH/GN	5V Power Supply +
2	0.35 GN/RD	Cool and Warm Damper Position Feedback Signal (Right)
3	0.35 BU/WH	Signal Grounding (Motor Feedback)
4	0.35 YE/BK	Cool and Warm Damper Drive Signal (Full Warm Direction at +)
5	0.35 PK	Cool and Warm Damper Drive Signal (Full Cold Direction at +)

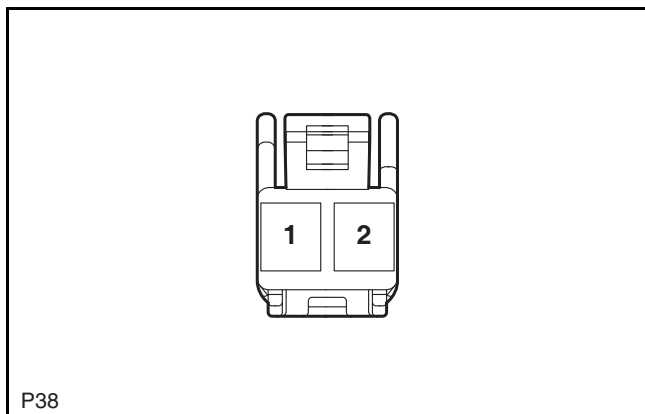
Front A/C Speed Regulation Module



P37 Wiring Harness Connector Pin Definition

Pin No.	Wire Diameter/Color	Function
1	3.0 YE	To Blower Negative
2	0.5 GY	Signal Input
3	0.5 BU	Signal Feedback
4	3.0 BK	Negative

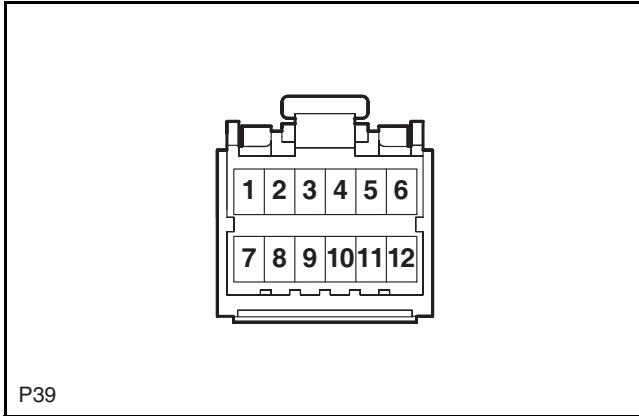
Front A/C Evaporator Surface Temperature Sensor



P38 Wiring Harness Connector Pin Definition

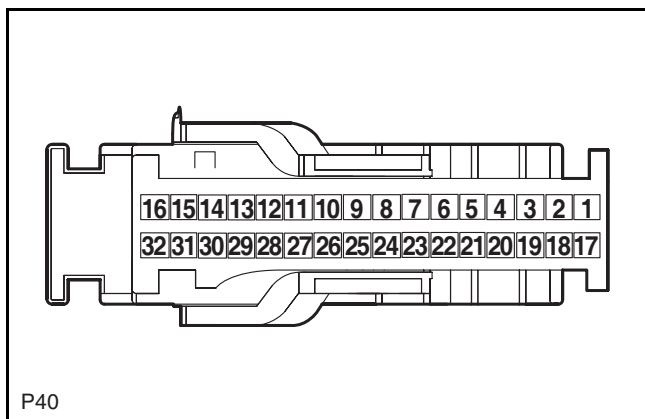
Pin No.	Wire Diameter/Color	Function
1	0.35 GY	Evaporator Temperature Sensor
2	0.35 BU/WH	SGND Signal Grounding

Automatic A/C Controller 2

**P39 Wiring Harness Connector Pin Definition**

Pin No.	Wire Diameter/Color	Function
1	0.35 OG/BK	Front A/C Mode Servo Motor Feedback
2	0.35 GN/RD	Front A/C Passenger Side Air Mix Servo Motor Feedback
3	-	-
4	0.35 WH/RD	Outside Temperature Input
5	0.35 BU/WH	SGND Signal Grounding (Damper Feedback)
6	0.35 GN/YE	Room Temperature Input
7	0.35 GN/WH	Front A/C Driver Side Air Mix Servo Motor Feedback
8	0.35 PK	Front A/C Inner and Outer Recirculation Servo Motor Feedback
9	0.35 BU/WH	Sensor SGND Signal Grounding
10	0.35 GY	Evaporator Surface Temperature Sensor Feedback
11	-	-
12	-	-

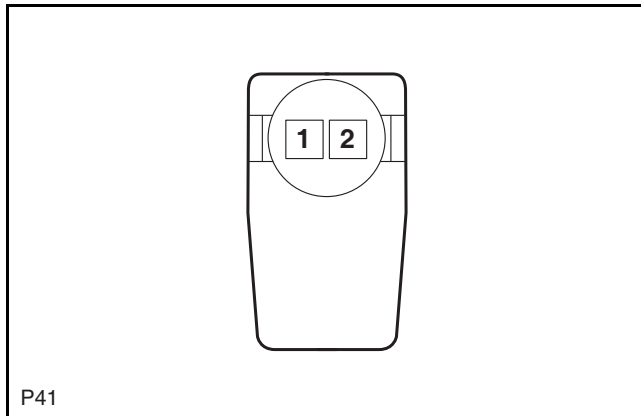
Automatic A/C Controller 1

**P40 Wiring Harness Connector Pin Definition**

Pin No.	Wire Diameter/Color	Function
1	0.35 WH/GN	5V Power Supply
2	-	-
3	-	-
4	0.35 BN	LIN
5	0.35 GN/BK	CAN_L
6	0.35 GN	CAN_H
7	-	-
8	-	-
9	-	-
10	0.5 BU	Blower Feedback Voltage
11	0.35 YE/BK	Right Temperature Damper (Max Hot Direction at +)
12	0.35 GN/WH	Inner and Outer Recirculation Damper (Outer Circulation Direction at +)
13	-	-
14	0.35 GN/YE	Mode Damper (Front Defrost Direction at +)
15	0.35 LG	Left Temperature Damper (Max Cold Direction at +)
16	0.5 RD	BAT Power Supply
17	-	-
18	0.35 VT	Air Conditioning System Operating Condition
19	-	-
20	-	-
21	-	-
22	-	-
23	-	-
24	0.5 GY/BK	Blower Relay Drive Signal
25	-	-
26	0.5 GY	Blower Control Voltage

Pin No.	Wire Diameter/Color	Function
27	0.35 PK	Right Temperature Damper (Max Cold Direction at +)
28	0.35 BU/GN	Inner and Outer Recirculation Damper (Inner Circulation Direction at +)
29	0.35 BU/YE	Mode Damper (Face Direction at +)
30	0.5 BK	PGND Power Grounding
31	0.35 BN/WH	Left Temperature Damper (Max Hot Direction at +)
32	0.5 OG/BK	IGN Power Supply

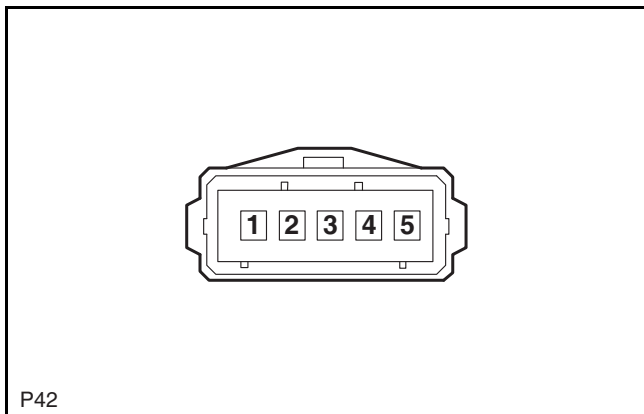
Front Passenger Airbag



P41 Wiring Harness Connector Pin Definition

Pin No.	Wire Diameter/Color	Function
1	0.5 YE	Supply Ignition Current to Deploy PAB+
2	0.5 BK	Supply Ignition Current to Deploy PAB-

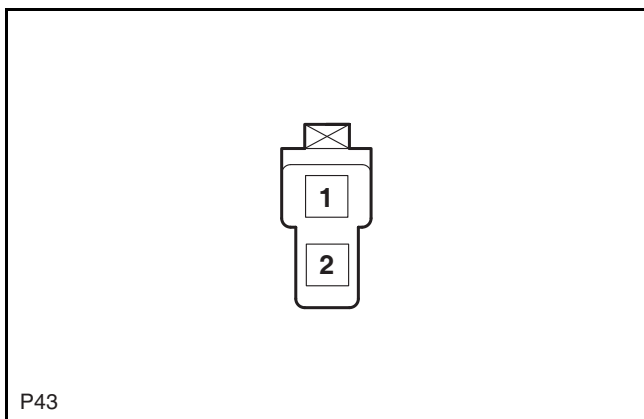
Front A/C Inner and Outer Recirculation Servo Motor



P42 Wiring Harness Connector Pin Definition

Pin No.	Wire Diameter/Color	Function
1	0.35 WH/GN	5V Power Supply +
2	0.35 PK	Inner and Outer Recirculation Damper Position Feedback Signal
3	0.35 BU/WH	Signal Grounding (Motor Feedback)
4	0.35 BU/GN	Inner and Outer Recirculation Damper Drive Signal (Inner Circulation at +)
5	0.35 GN/WH	Inner and Outer Recirculation Damper Drive Signal (Outer Circulation at +)

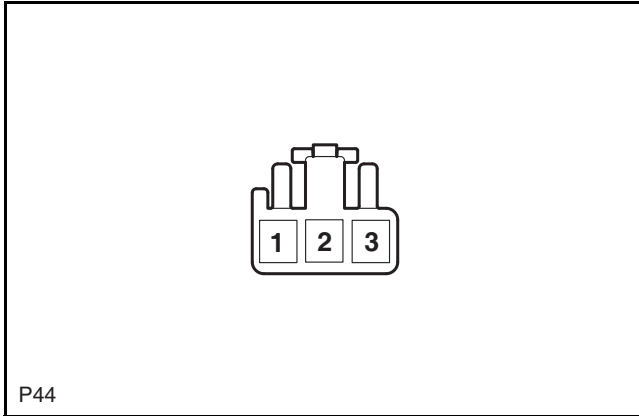
Front A/C Blower



P43 Wiring Harness Connector Pin Definition

Pin No.	Wire Diameter/Color	Function
1	3.0 RD	Blower Negative
2	3.0 YE	Blower Motor (+)

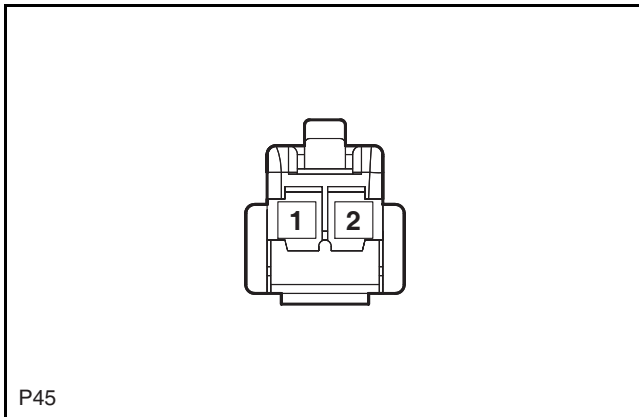
Atmosphere Lamp - Instrument Cluster Right



P44 Wiring Harness Connector Pin Definition

Pin No.	Wire Diameter/Color	Function
1	0.35 RD	Constant Power Supply
2	0.35 VT	LIN Signal
3	0.35 BK	Grounding

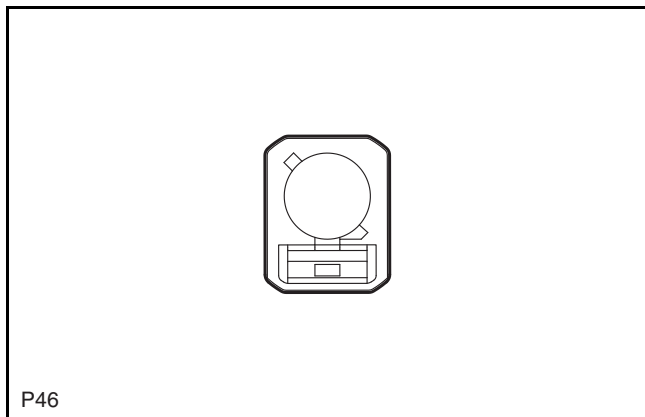
Speaker 2 (Right Front Door)



P45 Wiring Harness Connector Pin Definition

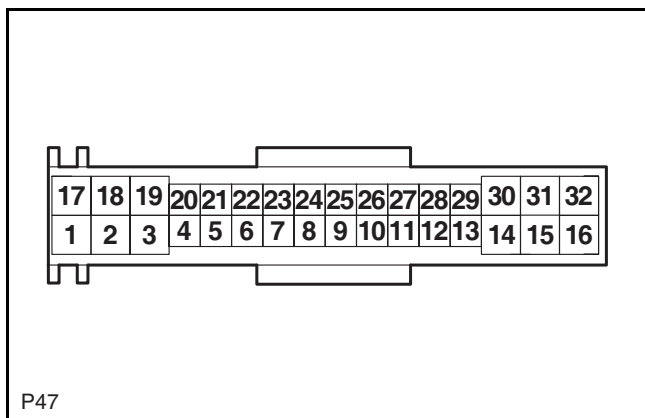
Pin No.	Wire Diameter/Color	Function
1	0.5 GY/RD	Positive
2	0.5 GY/BK	Negative

Head Unit to GPS Feeder (Gray)

**P46 Wiring Harness Connector Pin Definition**

Pin No.	Wire Diameter/Color	Function
1	-	GPS Feeder

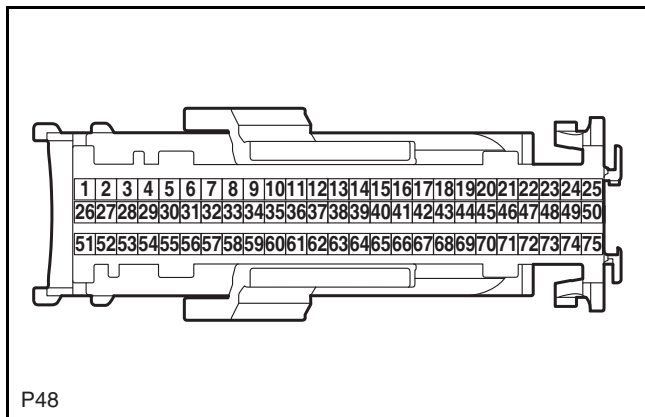
IBCM-J2

**P47 Wiring Harness Connector Pin Definition**

Pin No.	Wire Diameter/Color	Function
1	1.0 BU	Power Supply
2	1.0 WH	Power Supply
3	1.0 YE	Power Supply
4	0.75 VT	Right Turn Lamp (Front Rear)
5	0.5 GN/WH	Left Turn Lamp (Front Rear)
6	-	-
7	-	-
8	0.5 RD/YE	Backlight
9	0.5 RD/WH	Right Daytime Running Lamp
10	-	-
11	-	-
12	0.35 WH/BU	High Mounted Brake Lamp

Pin No.	Wire Diameter/Color	Function
13	0.5 BU/RD	Left Daytime Running Lamp
14	1.0 GN	Power Supply
15	1.5 BK	Grounding
16	1.0 GN/WH	Power Supply
17	1.5 BK	Grounding
18	0.5YE/WH	Other Three Doors Unlock Output
19	1.0 GY	Luggage Compartment Door Release Output
20	-	-
21	1.0 BU/WH	Oil Pump Pressure Buildup Relay
22	-	-
23	0.5 RD/BK	Energy Saving Output
24	-	-
25	-	-
26	0.5 WH/RD	Brake Lamp
27	0.5 BK/WH	Backup Lamp Output
28	0.5 GY/RD	Left Front Door Unlock Output
29	0.5 WH/RD	Dome Lamp Output
30	0.75 RD/WH	Lock Output
31	1.0 YE	Power Supply
32	1.0 VT	Power Supply

IBCM-J7



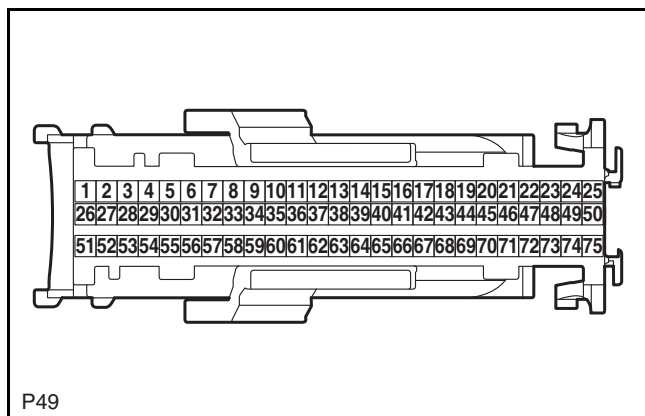
P48 Wiring Harness Connector Pin Definition

Pin No.	Wire Diameter/Color	Function
1	-	-
2	-	-
3	0.35 GY/GN	Wireless Charging Enable Signal
4	0.35 PK	Rain/Ambient Light LIN Communication Bus and IBS
5	-	-
6	0.35 YE/BK	Start and Stop Switch Grounding
7	0.35 BU/YE	ADASCANFD-L
8	0.35 RD/YE	ENGINE START STOP Switch Indicator (Green)
9	0.35 GY/OG	ENGINE START STOP Switch Indicator (White)
10	0.35 PK/GN	Other Three Door Lamps
11	-	-
12	0.35 GY	RFR LIN Communication Bus
13	0.35 BK	Grounding
14	0.35 GN/BK	BCAN_L
15	0.35 BK	Grounding
16	0.35 WH	Collision Input
17	-	-
18	-	-
19	-	-
20	-	-
21	0.35 BN/WH	Low Beam Lamp Relay Signal
22	0.5 OG	Front Wiper Intermittent Adjustment Switch Reference Power Supply
23	0.35 YE/RD	Front Wiper Intermittent Adjustment Switch Analog Input
24	-	-
25	-	-
26	-	-

Pin No.	Wire Diameter/Color	Function
27	0.5 VT	Atmosphere Lamp
28	0.35 GN	LIN Communication Bus, Such as Window Controller and Sunroof Controller
29	-	-
30	-	-
31	0.35 GN/YE	Left Front Door Handle Switch
32	0.35 BU	ADASCANFD-H
33	0.35 YE	Right Front Door Handle Switch
34	-	-
35	0.35 VT/GN	Left Front Door Handle Lamp
36	0.35 BU/GN	High Beam Lamp Signal
37	-	-
38	-	-
39	0.35 GN	BCAN_H
40	0.35 BK	Grounding
41	0.22 BU/WH	To Reverse Signal
42	-	-
43	-	-
44	-	-
45	-	-
46	0.35 WH/GN	Power Supply
47	0.35 YE/GN	Start and Stop Switch 1
48	-	-
49	-	-
50	0.35 OG/BK	Central Box Switch
51	0.35 VT/WH	EPSCAN_L
52	0.35 VT	EPSCAN_H
53	0.35 PK/BU	Front Antenna Positive
54	0.35 PK/GN	Front Antenna Negative
55	0.35 RD/BK	Front Wiper Low Speed Relay
56	0.335 GN/WH	Front Wiper High Speed Relay
57	0.35 PK/BK	Rear Wiper Relay
58	0.35 LG/BK	Left Front Door Window Switch (Four Doors Anti-pinch)
59	0.35 WH/YE	AUTO Indicator Input Signal
60	0.35 WH/YE	2WD Indicator Input Signal
61	0.35WH/BK	Water Flow Steering Signal
62	0.35 RD/GN	4WD Indicator Input Signal
63	0.35 BN	Left Antenna Positive

Pin No.	Wire Diameter/Color	Function
64	0.35 BU/BK	Left Antenna Negative
65	-	-
66	0.35 OG/WH	IG1 Relay Coil
67	0.35 WH/BK	Power Supply
68	0.35 RD/BU	ACC Relay Coil
69	0.35 BK/WH	Horn Relay
70	0.35 LG	Rear Defroster Relay
71	-	-
72	0.3 WH/BU	Start and Stop Switch 2
73	0.35 BK	Grounding
74	-	-
75	-	-

IBCM-J1



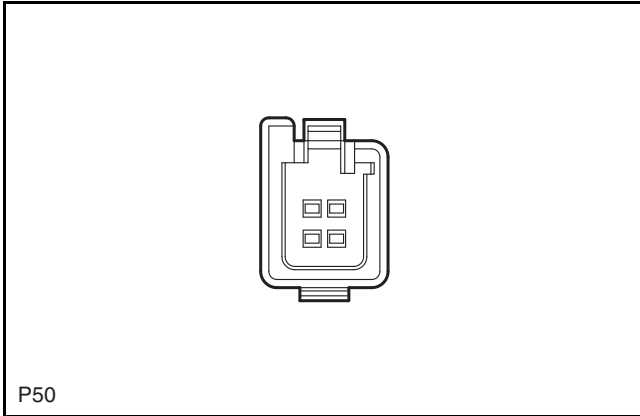
P49 Wiring Harness Connector Pin Definition

Pin No.	Wire Diameter/Color	Function
1	0.35 WH	Front Turn Lamp Open Diagnosis Input
2	0.5 GN/VT	Brake Switch
3	0.5 BK/WH	IG1 Relay Feedback
4	-	-
5	0.35 GN/RD	Rear Washer Switch
6	0.35 PK	Front Wiper High Speed Switch
7	0.35 GN	Front Wiper Low Speed Switch
8	0.35 BU	Front Wiper Automatic Switch
9	0.35 LG	Rear Wiper Low Speed Switch
10	0.35 GN/BK	Right Rear Door Concealed Handle Extending Position Switch
11	-	-
12	0.22 OG	Rear Fog Lamp Switch
13	-	-
14	0.22 WH/GN	Overtaking Lamp Switch
15	0.22 PK/GN	High Beam Switch
16	0.22 RD/YE	Automatic Light Switch
17	0.35 BU/GN	Right Rear Door Concealed Handle Retracting Position Switch
18	0.35 YE	Reverse Switch
19	0.35 BN/WH	Right Front Door Concealed Handle Extending Position Switch
20	0.35 GN/YE	P/N Position Switch
21	0.5 VT/BK	Rearview Mirror Folding Output
22	0.5 WH/YE	Rearview Mirror Extending Output
23	0.35 BU/WH	Left Front Extending Drive
24	0.35 GY/OG	Left Front Folding Drive

Pin No.	Wire Diameter/Color	Function
25	0.35 BU/YE	Other Three Doors Extending Drive
26	0.35 BU/BK	Rear Antenna Negative
27	0.22 RD	Position Lamp Switch
28	0.5 RD	ACC Relay Feedback
29	-	-
30	0.35 VT	Front Washer Switch
31	0.35 RD/BK	Left Rear Concealed Door Handle Extending Position Switch
32	0.35 WH/GN	Left Rear Concealed Door Handle Retracting Position Switch
33	0.35 PK/BU	Left Front Concealed Door Handle Extending Position Switch
34	0.35 BU/GN	Central Lock Switch
35	-	-
36	0.35 LG/BK	Left Front Concealed Door Handle Retracting Position Switch
37	0.22 BU/WH	Left Turn Switch
38	0.35 BU/YE	Right Rear Door Status
39	0.35 WH/BK	Left Front Door Status
40	0.35 GN/BU	Left Rear Door Status
41	0.22 PK/WH	Low Beam Switch
42	0.22 BN	Right Turn Switch
43	0.35 WH/BU	Rear Turn Lamp Diagnosis Feedback
44	-	-
45	0.35 RD/BU	Front Wiper Stop Signal
46	0.35 PK/BK	Rear Wiper Stop Signal
47	-	-
48	0.35 YE/RD	Right Antenna Positive
49	0.35 BN/WH	Right Antenna Negative
50	0.35 BU	Other Three Doors Retracting Drive
51	0.35 GN/WH	Rear Antenna Positive
52	0.35 GY	Emergency Alarm Switch
53	0.35 RD/GY	Luggage Compartment Door Release Switch
54	0.35 BK	Grounding
55	0.5 YG/GN	Horn Switch
56	0.35 GY/GN	Rearview Mirror Folding Switch
57	0.35 YE/RD	Right Front Door Concealed Handle Retracting Position Switch
58	0.35 OH/WH	Central Unlock Switch
59	0.35 GN/OG	Left Front Door Handle Switch
60	0.35 YE/BK	Kick Sensor Signal
61	0.35 RD/BK	Left Front Lock Status

Pin No.	Wire Diameter/Color	Function
62	-	-
63	-	-
64	0.35 WH/RD	Right Front Door Status
65	0.35 BU/WH	Middle Antenna Negative
66	0.35 GY/OG	Middle Antenna Positive
67	0.5 BN	Front Position Lamp and License Plate Lamp
68	0.5 VT/WH	Rear Position Lamp
69	-	-
70	0.5 VT/GN	Rear Fog Lamp
71	-	-
72	0.35 OG/BK	Luggage Compartment Lamp
73	-	-
74	-	-
75	-	-

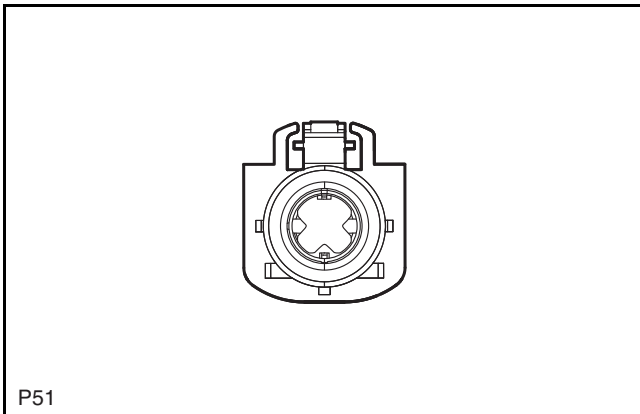
Instrument Cluster Display USB



P50 Wiring Harness Connector Pin Definition

Pin No.	Wire Diameter/Color	Function
1	-	USB Cable
2	-	USB Cable
3	-	USB Cable
4	-	USB Cable

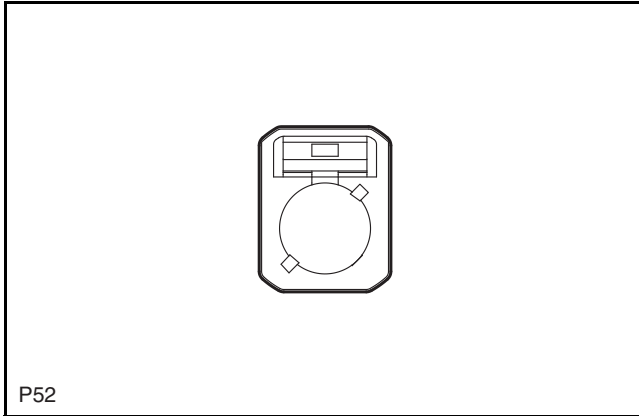
Instrument Cluster Display LVDS (Purple)



P51 Wiring Harness Connector Pin Definition

Pin No.	Wire Diameter/Color	Function
1	-	LVDS Line
2	-	LVDS Line
3	-	LVDS Line
4	-	LVDS Line

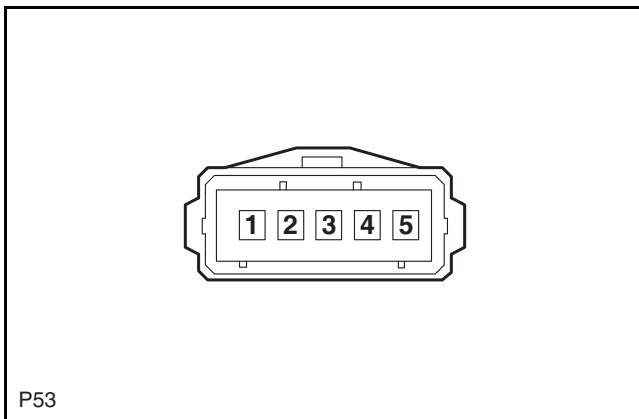
Instrument Cluster Display Streaming Camera (Blue)



P52 Wiring Harness Connector Pin Definition

Pin No.	Wire Diameter/Color	Function
1	-	Streaming Camera

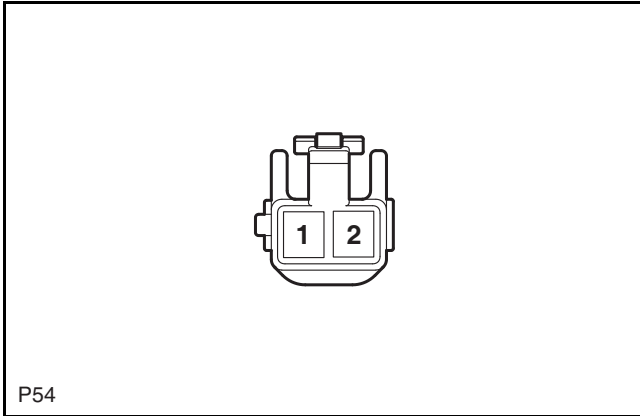
Front A/C Driver Side Air Mix Servo Motor



P53 Wiring Harness Connector Pin Definition

Pin No.	Wire Diameter/Color	Function
1	0.35 BU/WH	Signal Grounding (Motor Feedback)
2	0.35 GN/WH	Cool and Warm Damper Position Feedback Signal (Left)
3	0.35 WH/GN	5V Power Supply +
4	0.35 LG	Cool and Warm Damper Drive Signal (Full Cold Direction at +)
5	0.35 BN/WH	Cool and Warm Damper Drive Signal (Full Warm Direction at +)

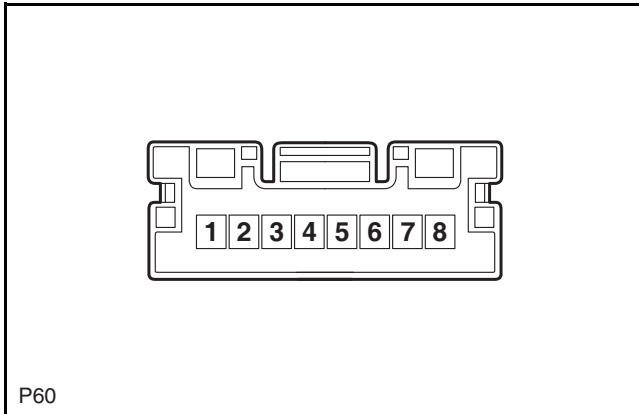
Room Temperature Sensor

**P54 Wiring Harness Connector Pin Definition**

Pin No.	Wire Diameter/Color	Function
1	0.35 GN/YE	Sensor Signal
2	0.35 BU/WH	Sensor Grounding

Auxiliary Fascia Console Wiring Harness Connector (P--)

Wireless Charging

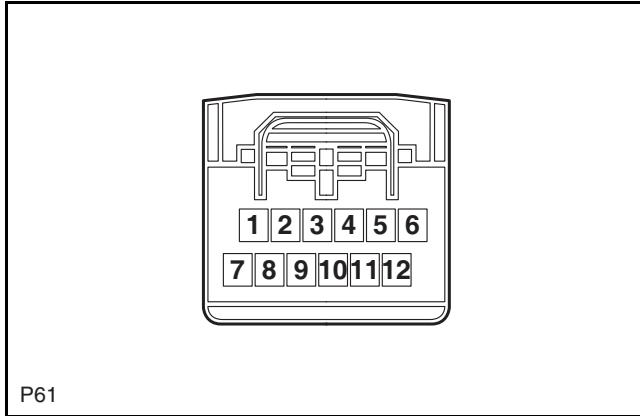


P60

P60 Wiring Harness Connector Pin Definition

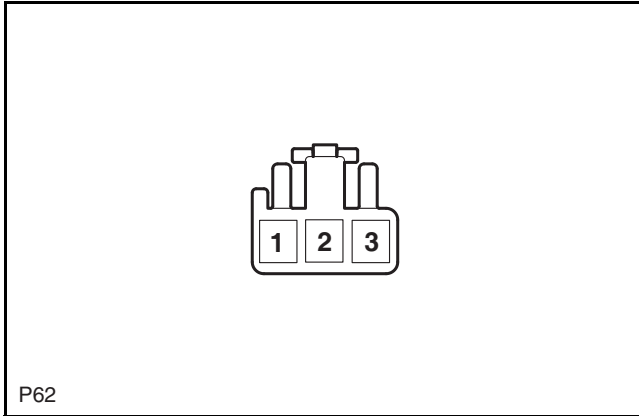
Pin No.	Wire Diameter/Color	Function
1	0.3 PK/BK	Vehicle CAN High
2	0.3 PK	Vehicle CAN Low
3	0.3 GY/GN	Wireless Charging Enable Signal
4	-	-
5	-	-
6	0.3 BK	Grounding
7	-	-
8	0.3 RD/BK	Power Supply

Electronic Shift Control Assembly

**P61 Wiring Harness Connector Pin Definition**

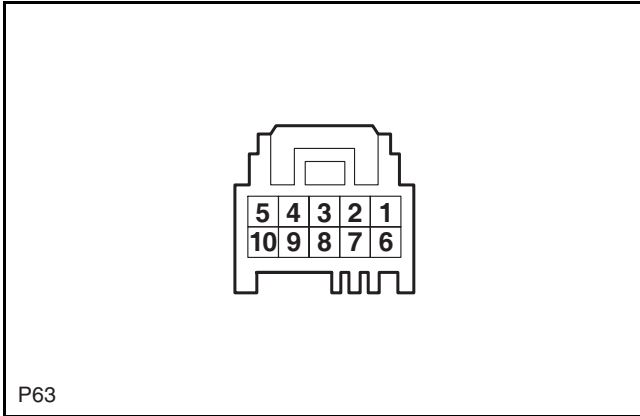
Pin No.	Wire Diameter/Color	Function
1	0.3 WH/GN	Constant Power Supply
2	0.3 VT/GN	IG Power Supply
3	0.3 RD/YE	Backlight Power Supply
4	0.3 LG	PCAN-L
5	0.3 LG/BK	PCAN-H
6	-	-
7	-	-
8	-	-
9	-	-
10	0.3 BK	Grounding
11	-	-
12	-	-

Atmosphere Light - Central Box 1

**P62 Wiring Harness Connector Pin Definition**

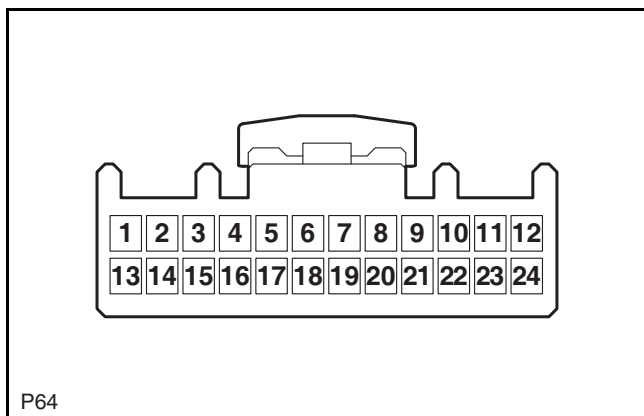
Pin No.	Wire Diameter/Color	Function
1	0.3 WH/GN	Backlight Power Supply
2	0.3 VT	LIN
3	0.3 BK	Grounding

AUTOHOLD and EPB Switch

**P63 Wiring Harness Connector Pin Definition**

Pin No.	Wire Diameter/Color	Function
1	0.3 RD/YE	Backlight
2	0.3 BK	Grounding
3	0.3 WH/GN	Power Supply
4	0.3 WH/RD	EPB Switch 1
5	0.3 WH/BK	EPB Switch 3
6	0.3 YE/RD	EPB Switch 4
7	0.3 GN/RD	EPB Switch 6
8	0.3 RD/BK	AVH Switch
9	0.3 BU/WH	AVH Switch Indicator
10	0.3 YE	EPB Switch Indicator

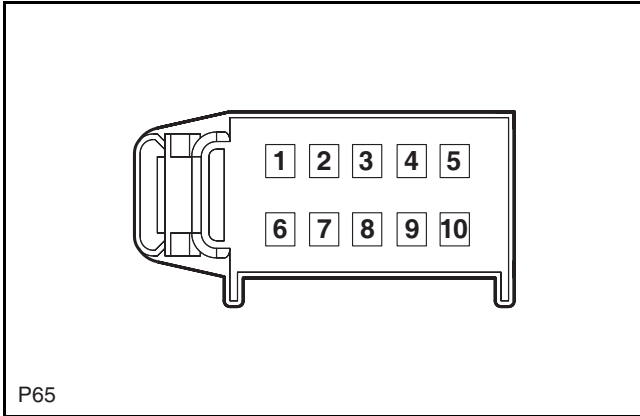
Central Box Switch Box a



P64 Wiring Harness Connector Pin Definition

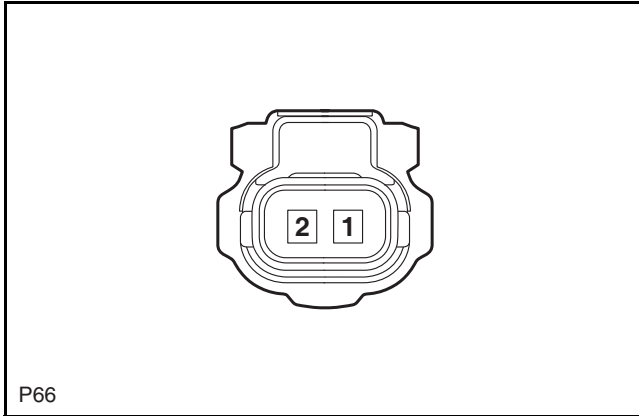
Pin No.	Wire Diameter/Color	Function
1	-	-
2	-	-
3	-	-
4	-	-
5	0.3 VT/GN	Power Supply
6	-	-
7	-	-
8	0.3 BK	Drive Mode Switch Grounding
9	0.3 BK	Switch Signal Grounding
10	0.3 BU/GN	SAVE Switch Output Signal
11	0.3 RD/YE	SAVE Switch Output Signal
12	-	-
13	-	-
14	0.3 YE/BK	360 Switch Output Signal
15	-	-
16	-	-
17	0.3 VT/GN	Battery Power Supply
18	-	-
19	-	-
20	-	-
21	-	-
22	-	-
23	-	-
24	-	-

Central Box Switch Box b

**P65 Wiring Harness Connector Pin Definition**

Pin No.	Wire Diameter/Color	Function
1	0.3 BK	Grounding
2	0.3 OG/BU	BACK Output Signal
3	0.3 GY	FORWARD Output Signal
4	-	-
5	-	-
6	0.3 RD/YE	Backlight Power Supply
7	0.3 RD/GN	4WD Indicator Input Signal
8	0.3 WH/YE	AUTO Indicator Input Signal
9	0.3 GN/OG	2WD Indicator Input Signal
10	0.3 VT/GN	Indicator Power Supply (+12V)

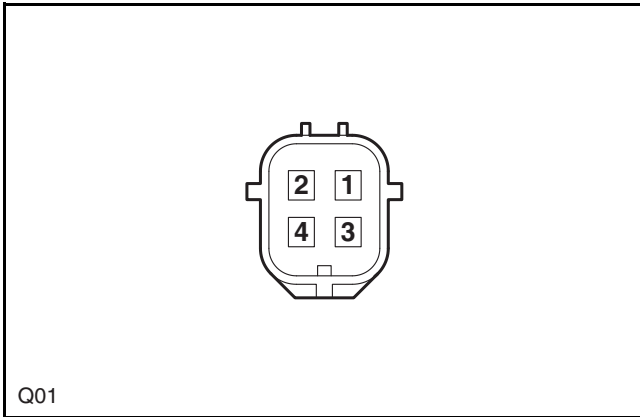
Front Antenna

**P66 Wiring Harness Connector Pin Definition**

Pin No.	Wire Diameter/Color	Function
1	0.5 PK/BU	Antenna Positive
2	0.5 WH/VT	Antenna Negative

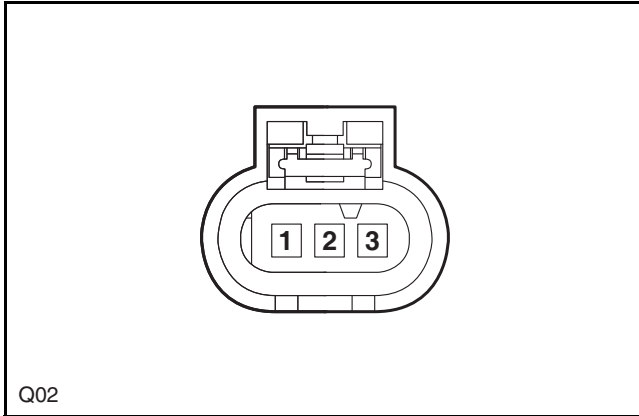
Front Bumper Wiring Harness Connector (Q--)

Front Combination Lamp (Left)

**Q01 Wiring Harness Connector Pin Definition**

Pin No.	Wire Diameter/Color	Function
1	0.5 BK	Front Position Lamp/Daytime Running Lamp Negative
2	0.5 BU	Timing Welcome Lamp Positive
3	0.5 BU/RD	Daytime Running Lamp Positive
4	0.5 BN	Front Position Lamp Positive

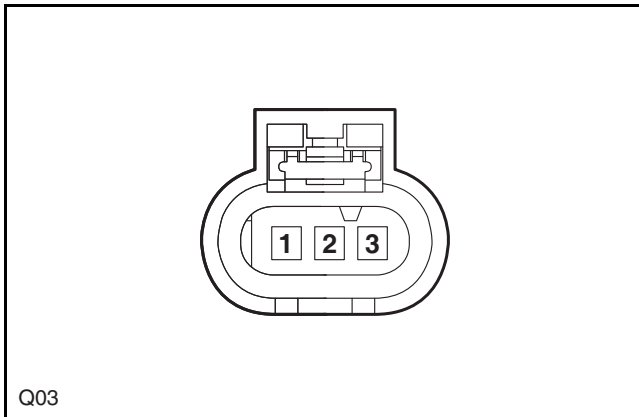
Front Radar (Left)



Q02 Wiring Harness Connector Pin Definition

Pin No.	Wire Diameter/Color	Function
1	0.3 WH/BK	Sensor Grounding
2	0.3 OG	Provide Communication Data
3	0.3 RD/BU	Sensor Power Supply

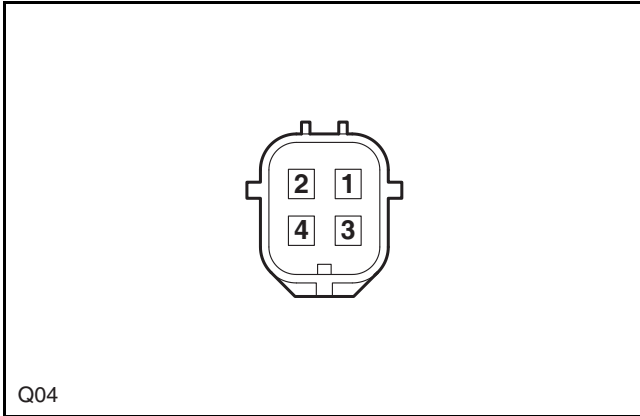
Front Radar (Right)



Q03 Wiring Harness Connector Pin Definition

Pin No.	Wire Diameter/Color	Function
1	0.3 WH/BK	Sensor Grounding
2	0.3 BU/BK	Provide Communication Data
3	0.3 RD/BU	Sensor Power Supply

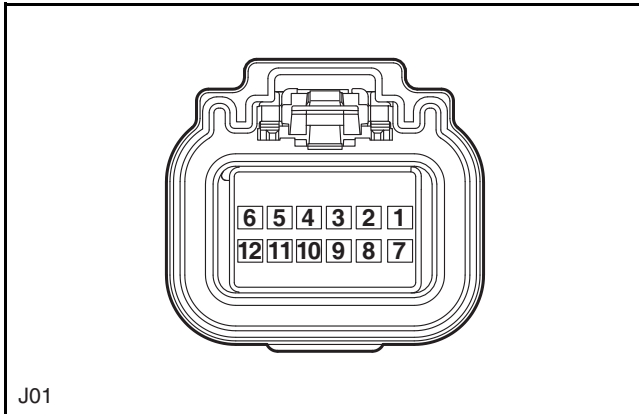
Front Combination Lamp (Right)

**Q04 Wiring Harness Connector Pin Definition**

Pin No.	Wire Diameter/Color	Function
1	0.5 BK	Front Position Lamp/Daytime Running Lamp Negative
2	0.5 BU	Timing Welcome Lamp Positive
3	0.5 RD/WH	Daytime Running Lamp Positive
4	0.5 BN	Front Position Lamp Positive

Rear Bumper Wiring Harness Connector (J--)

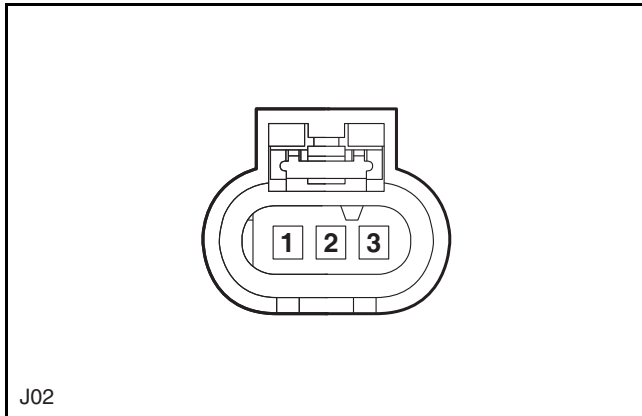
Blind Spot Monitoring Controller (Left)



J01 Wiring Harness Connector Pin Definition

Pin No.	Wire Diameter/Color	Function
1	0.3 RD	Constant Power Supply
2	0.3 BU/YE	ADASCANFD-L
3	0.3 BU	ADASCANFD-H
4	0.3 BK	Grounding
5	0.3 GN/YE	Left/Right Radar Communication Private CAN-L
6	0.3 GN	Left/Right Radar Communication Private CAN-H
7	-	-
8	-	-
9	0.3 BK	Grounding (Left)
10	0.3 OG	IG Power Supply
11	-	-
12	-	-

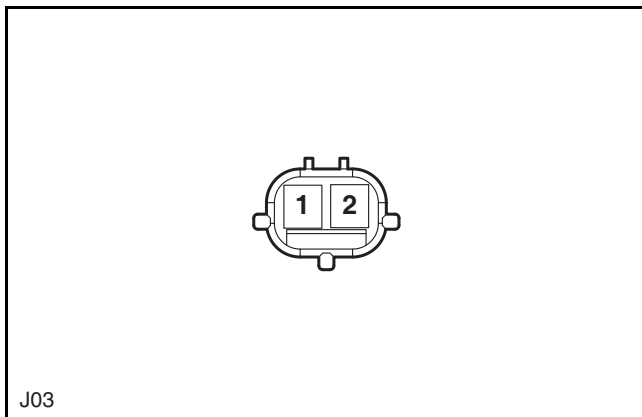
Reversing Radar Sensor - Left Rear



J02 Wiring Harness Connector Pin Definition

Pin No.	Wire Diameter/Color	Function
1	0.3 WH	Sensor Grounding
2	0.3 GN/BU	Provide Communication Data
3	0.3 WH/RD	Sensor Power Supply

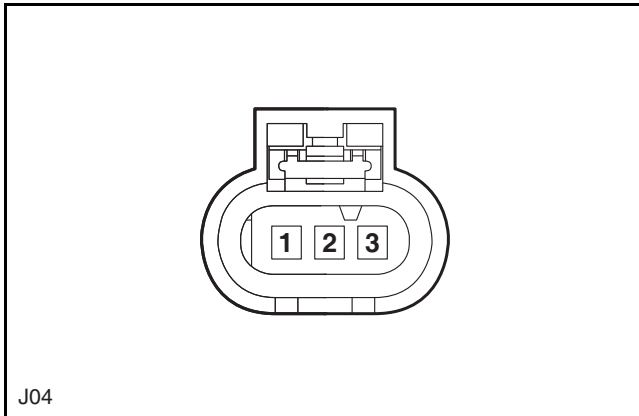
Back-up Lamp (Left)



J03 Wiring Harness Connector Pin Definition

Pin No.	Wire Diameter/Color	Function
1	0.5 BK	Grounding
2	0.5 BK/WH	Back-up Lamp +

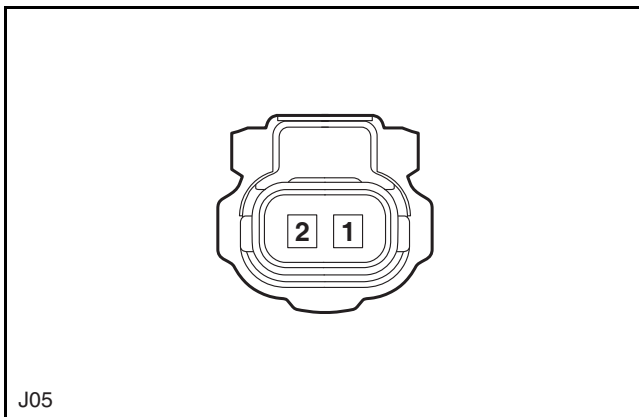
Reversing Radar Sensor - Left Rear Center



J04 Wiring Harness Connector Pin Definition

Pin No.	Wire Diameter/Color	Function
1	0.3 WH	Sensor Grounding
2	0.3 OG/BK	Provide Communication Data
3	0.3 WH/RD	Sensor Power Supply

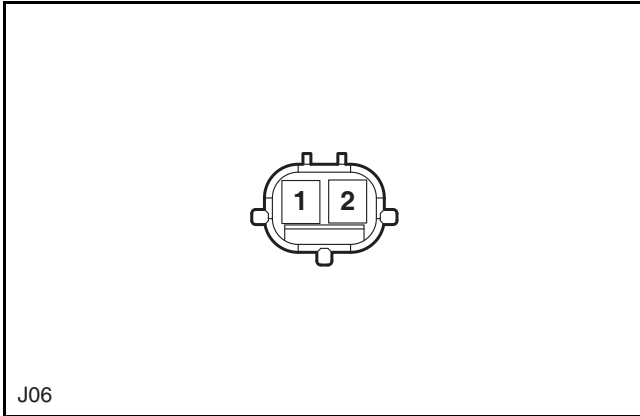
Inside Rear Antenna



J05 Wiring Harness Connector Pin Definition

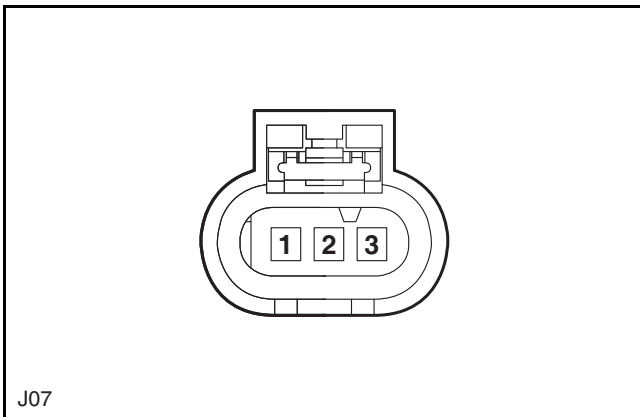
Pin No.	Wire Diameter/Color	Function
1	0.3 GN/WH	Antenna Positive
2	0.3 BU/BK	Antenna Negative

Rear Fog Lamp

**J06 Wiring Harness Connector Pin Definition**

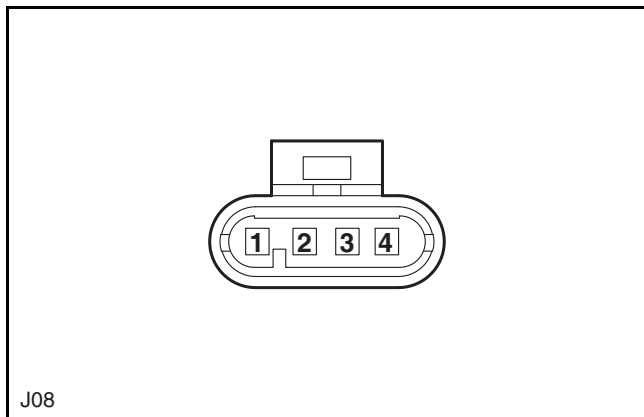
Pin No.	Wire Diameter/Color	Function
1	0.5 BK	Grounding
2	0.5 VT/GN	Rear Fog Lamp Power Supply

Reversing Radar Sensor - Right Rear Center

**J07 Wiring Harness Connector Pin Definition**

Pin No.	Wire Diameter/Color	Function
1	0.3 WH	Sensor Grounding
2	0.3 GN/YE	Provide Communication Data
3	0.3 WH/RD	Sensor Power Supply

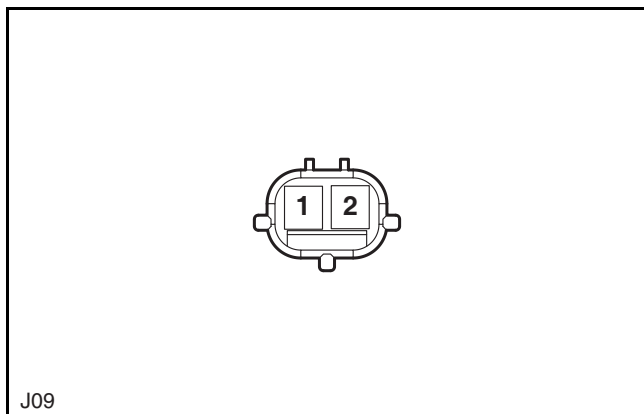
Kick Sensor



J08 Wiring Harness Connector Pin Definition

Pin No.	Wire Diameter/Color	Function
1	-	-
2	0.3 YE/BK	Kick Sensor Signal
3	0.3 BK	Grounding
4	0.3 RD/BK	Constant Power Supply

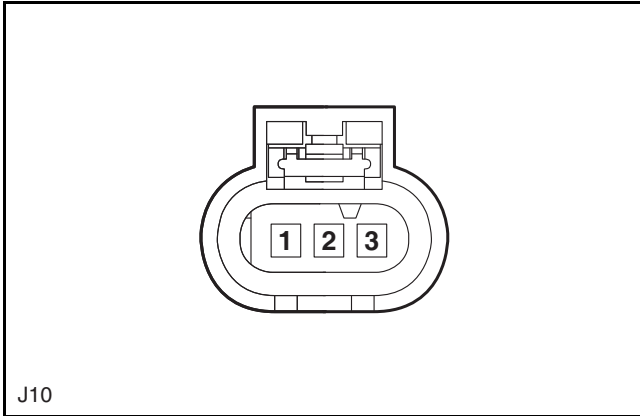
Back-up Lamp (Right)



J09 Wiring Harness Connector Pin Definition

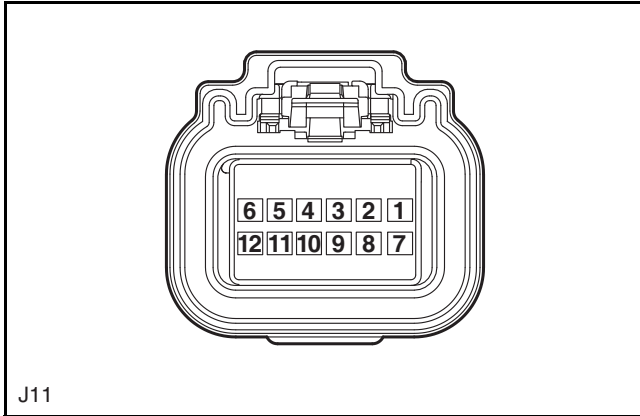
Pin No.	Wire Diameter/Color	Function
1	0.5 BK	Grounding
2	0.5 BK/WH	Back-up Lamp +

Reversing Radar Sensor - Right Rear

**J10 Wiring Harness Connector Pin Definition**

Pin No.	Wire Diameter/Color	Function
1	0.3 WH	Sensor Grounding
2	0.3 GN/RD	Provide Communication Data
3	0.3 WH/RD	Sensor Power Supply

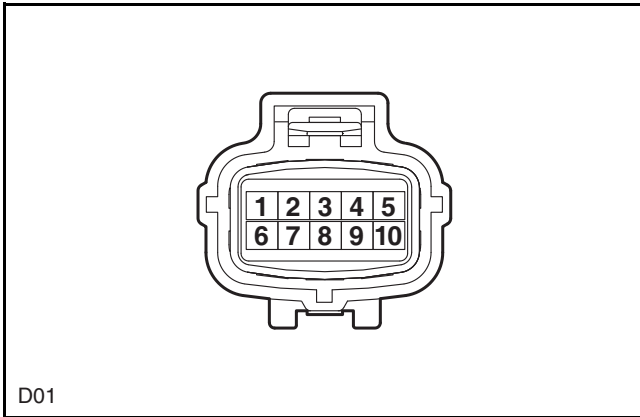
Blind Spot Monitoring Controller (Right)

**J11 Wiring Harness Connector Pin Definition**

Pin No.	Wire Diameter/Color	Function
1	0.3 RD	Constant Power Supply
2	0.3 BU/YE	ADASCANFD-L
3	0.3 BU	ADASCANFD-H
4	0.3 BK	Grounding
5	0.3 GN/YE	Left/Right Radar Communication Private CAN-L
6	0.3 GN	Left/Right Radar Communication Private CAN-H
7	-	-
8	-	-
9	-	-
10	0.3 OG	IG Power Supply
11	-	-
12	-	-

5-Door Wiring Harness Connector (D--)

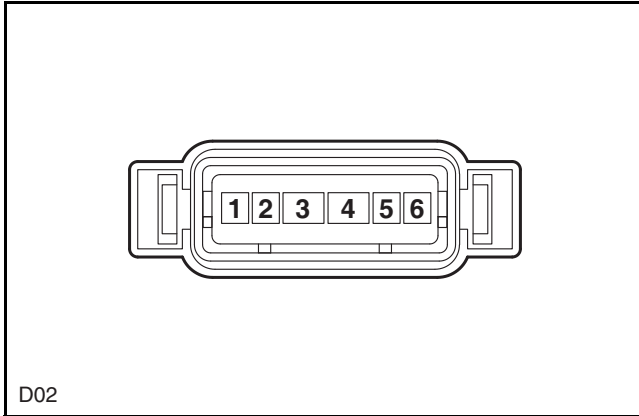
Left Front Door Concealed Handle Switch



D01 Wiring Harness Connector Pin Definition

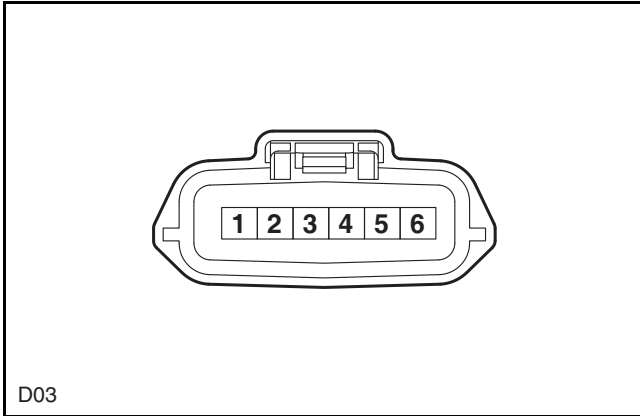
Pin No.	Wire Diameter/Color	Function
1	0.5 YE/WH	Motor Negative
2	0.5 GN/YE	Capacity Switch -
3	0.5 BK	Atmosphere Lamp -
4	0.5 BK	Microswitch 1 -
5	0.5 BK	Micro Switch 2 -
6	0.5 GY/BK	Motor Positive
7	0.5 GN/OG	Capacity Switch +
8	0.5 VT/GN	Atmosphere Lamp +
9	0.5 PK/BU	Microswitch 1 +
10	0.5 LG/BK	Micro Switch 2 +

Window Motor 1 (Left Front Door)

**D02 Wiring Harness Connector Pin Definition**

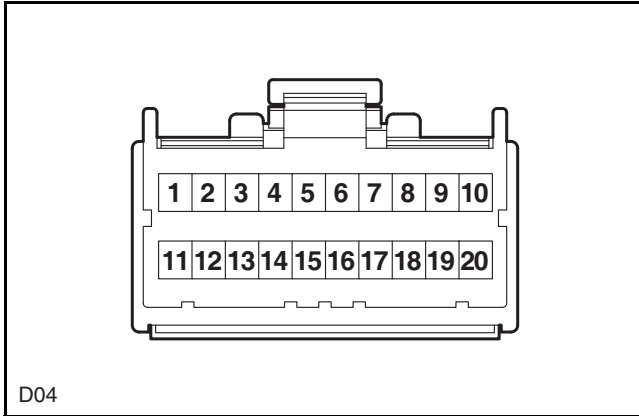
Pin No.	Wire Diameter/Color	Function
1	-	-
2	0.35 GN	LIN
3	2.5 BK	Power Supply Grounding
4	2.5 YE/BK	Power Supply
5	-	-
6	-	-

Door Lock Motor (Left Front Door)

**D03 Wiring Harness Connector Pin Definition**

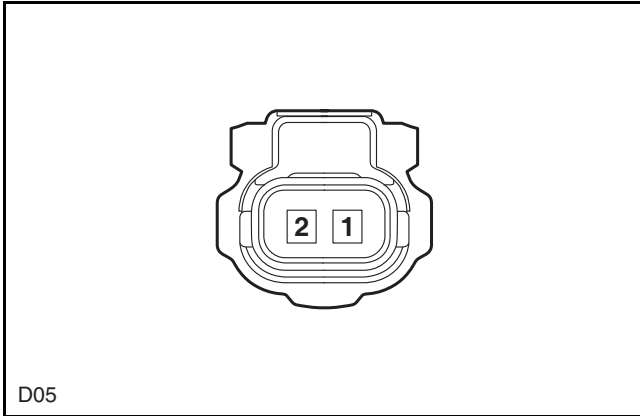
Pin No.	Wire Diameter/Color	Function
1	0.35 RD/BK	Lock Status Signal
2	0.35 BK	Signal Public End
3	-	-
4	-	-
5	0.5 GY/RD	Central Release Lock
6	0.5 RD/WH	Central Lock

Window Switch - Main (Four Doors Anti-pinch)

**D04 Wiring Harness Connector Pin Definition**

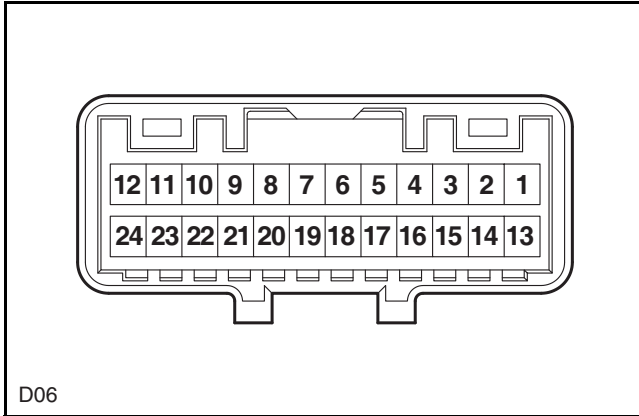
Pin No.	Wire Diameter/Color	Function
1	-	-
2	-	-
3	0.35 BU/GN	Central Lock Signal (Lock)
4	0.35 OG/WH	Central Lock Signal (Unlock)
5	-	-
6	-	-
7	-	-
8	-	-
9	-	-
10	0.5 BK	Power Supply Grounding
11	0.5 RD/YE	Backlight Power Supply
12	0.5 OG	Power Supply
13	0.35 LG/BK	Door Lock Indicator Signal
14	-	-
15	-	-
16	-	-
17	-	-
18	-	-
19	0.35 GN	LIN
20	-	-

Left Side Antenna

**D05 Wiring Harness Connector Pin Definition**

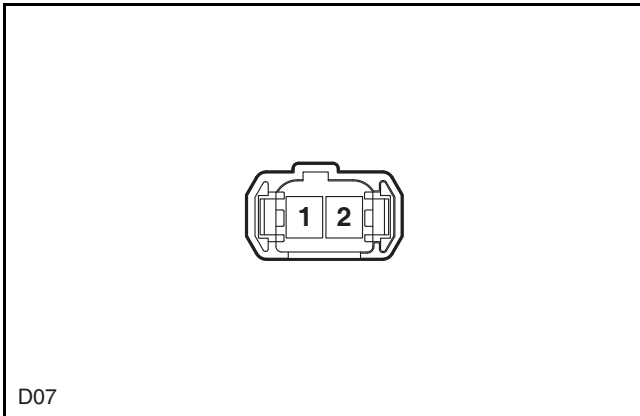
Pin No.	Wire Diameter/Color	Function
1	0.35 BN	Antenna Positive
2	0.35 BU/BK	Antenna Negative

Rearview Mirror (Left Front Door)

**D06 Wiring Harness Connector Pin Definition**

Pin No.	Wire Diameter/Color	Function
1	-	-
2	-	-
3	-	-
4	-	-
5	-	-
6	-	-
7	0.5 GY	Heating Element Power Supply
8	0.5 GN/WH	Side Turn Lamp Power Supply
9	0.35 BK	Side Turn Lamp Grounding Wire
10	0.35 BU	Left Rearview Mirror Left-Right Adjustment
11	0.35 VT/GN	Rearview Mirror Adjustment Switch Common End
12	0.35 BK/WH	Left Rearview Mirror Up-Down Adjustment
13	-	-
14	-	-
15	-	-
16	0.5 BK	Grounding
17	0.35 GN/RD	Left Blind Spot Indicator Driver
18	0.35 BN/WH	Left Rearview Mirror Up-Down Position Sensor
19	0.35 W	Rearview Mirror Position Sensor Grounding
20	0.35 BU/WH	Left Rearview Mirror Horizontal Position Sensor
21	0.35 WH/RD	Rearview Mirror Position Sensor Power Supply
22	0.5 WH/YE	Rearview Mirror Folding
23	0.5 VT/BK	Rearview Mirror Extending
24	-	-

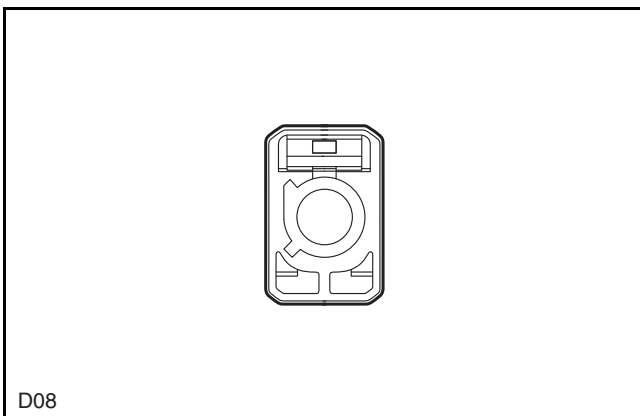
Speaker 1 (Left Front Door)



D07 Wiring Harness Connector Pin Definition

Pin No.	Wire Diameter/Color	Function
1	0.5 WH/BK	Negative -
2	0.5 VT/BK	Positive +

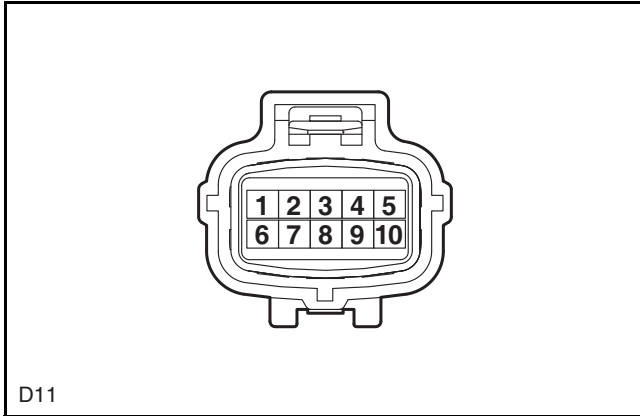
Left Camera



D08 Wiring Harness Connector Pin Definition

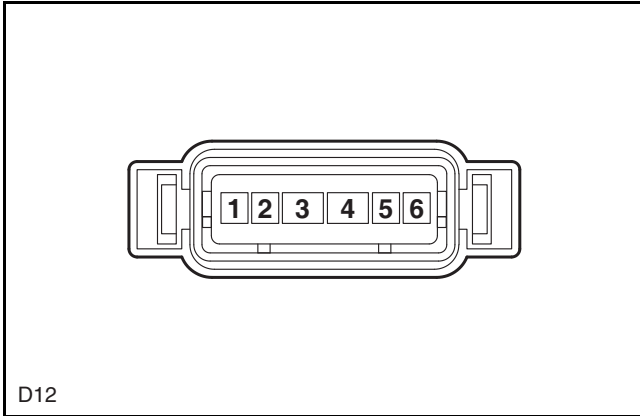
Pin No.	Wire Diameter/Color	Function
1	-	Antenna

Right Front Door Concealed Handle Switch

**D11 Wiring Harness Connector Pin Definition**

Pin No.	Wire Diameter/Color	Function
1	0.5 WH	Motor Negative
2	0.5 GN/YE	Capacity Switch -
3	0.5 BK	Atmosphere Lamp -
4	0.5 BK	Microswitch 1 -
5	0.5 BK	Micro Switch 2 -
6	0.5 GY	Motor Positive
7	0.5 YE	Capacity Switch +
8	0.5 PK/GN	Atmosphere Lamp +
9	0.5 BN/WH	Microswitch 1 +
10	0.5 YE/RD	Micro Switch 2 +

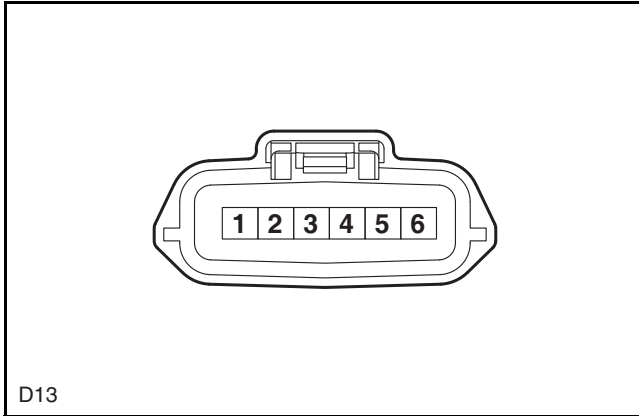
Window Motor - Right Front Door (Anti-pinch)



D12 Wiring Harness Connector Pin Definition

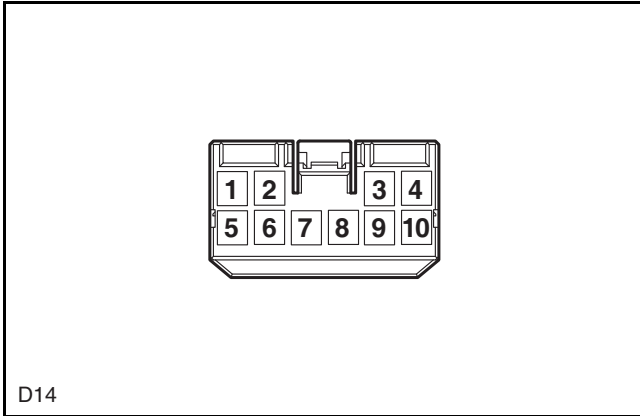
Pin No.	Wire Diameter/Color	Function
1	0.35 WH/BU	Down Signal
2	0.35 GN	LIN
3	2.5 BK	Power Supply Grounding
4	2.5 RD/BK	Power Supply
5	0.35 RD/BK	Automatic Signal
6	0.35 BU/YE	Up Signal

Door Lock Motor (Right Front Door)

**D13 Wiring Harness Connector Pin Definition**

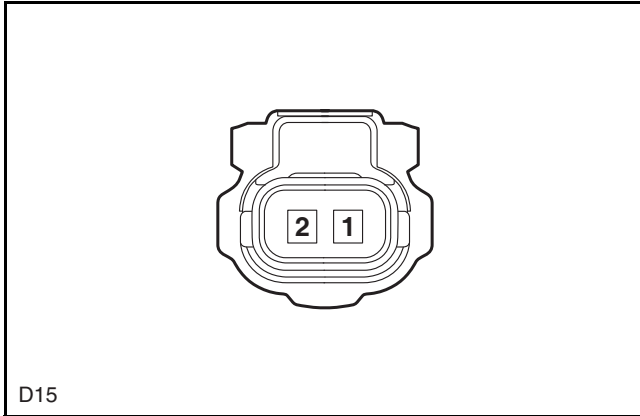
Pin No.	Wire Diameter/Color	Function
1	0.5 YE/WH	Unlock
2	0.5 RD/WH	Lock
3	-	-
4	-	-
5	-	-
6	-	-

Window Switch - Sub (Anti-pinch)

**D14 Wiring Harness Connector Pin Definition**

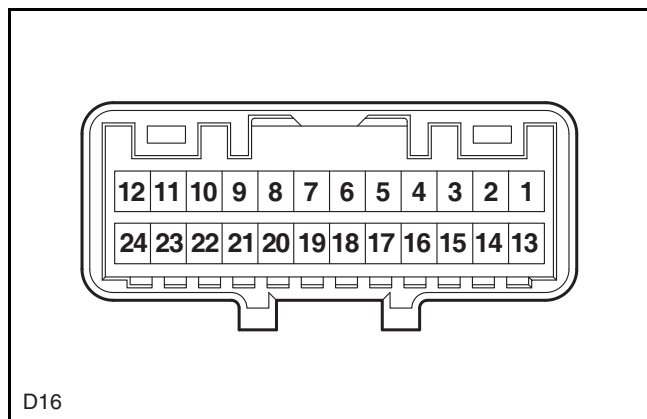
Pin No.	Wire Diameter/Color	Function
1	0.5 RD/YE	Backlight Power Supply
2	0.35 RD/BK	Automatic Button Signal
3	-	-
4	-	-
5	0.35 WH/BU	Down Signal
6	0.35 BU/YE	Up Signal
7	-	-
8	-	-
9	-	-
10	0.5 BK	Grounding

Right Side Antenna

**D15 Wiring Harness Connector Pin Definition**

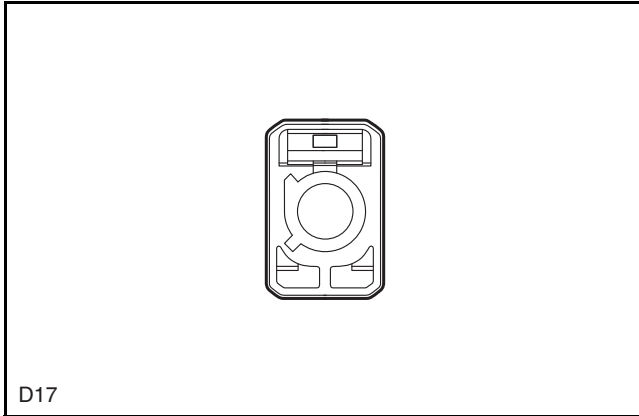
Pin No.	Wire Diameter/Color	Function
1	0.35 YE/RD	Antenna Positive
2	0.35 BN/WH	Antenna Negative

Rearview Mirror (Right Front Door)

**D16 Wiring Harness Connector Pin Definition**

Pin No.	Wire Diameter/Color	Function
1	-	-
2	-	-
3	-	-
4	-	-
5	-	-
6	-	-
7	0.5 GY	Heating Element Power Supply
8	0.5 VT	Side Turn Lamp Power Supply
9	0.35 BK	Side Turn Lamp Grounding Wire
10	0.35 RD/BU	Left Rearview Mirror Left-Right Adjustment
11	0.35 VT/GN	Rearview Mirror Adjustment Switch Common End
12	0.35 PK/BU	Left Rearview Mirror Up-Down Adjustment
13	-	-
14	-	-
15	-	-
16	0.5 BK	Grounding
17	0.35 VT/WH	Left Blind Spot Indicator Driver
18	-	-
19	-	-
20	-	-
21	-	-
22	0.5 WH/YE	Rearview Mirror Folding
23	0.5 VT/BK	Rearview Mirror Extending
24	-	-

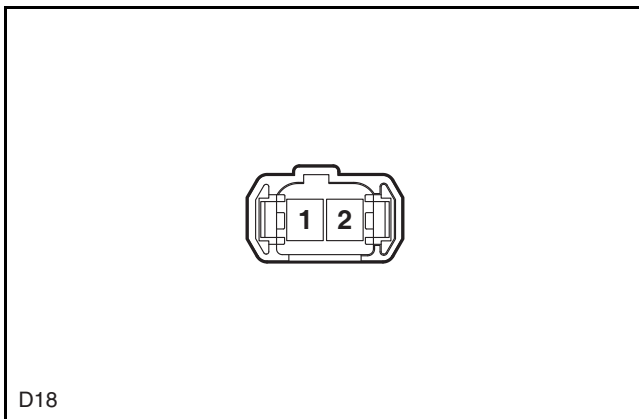
Right Camera



D17 Wiring Harness Connector Pin Definition

Pin No.	Wire Diameter/Color	Function
1	-	Antenna

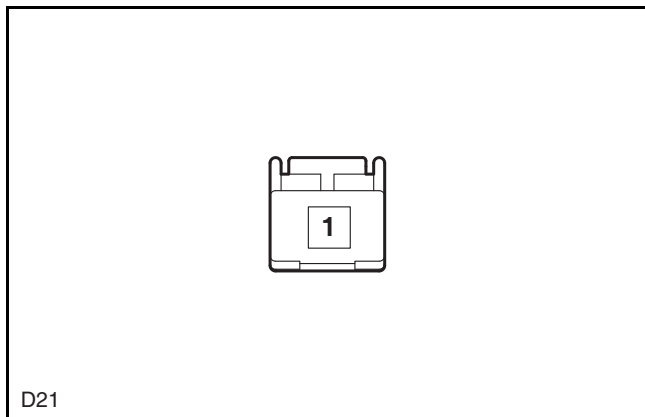
Speaker 1 (Right Front Door)



D18 Wiring Harness Connector Pin Definition

Pin No.	Wire Diameter/Color	Function
1	0.5 GY/BK	Negative -
2	0.5 GY/RD	Positive +

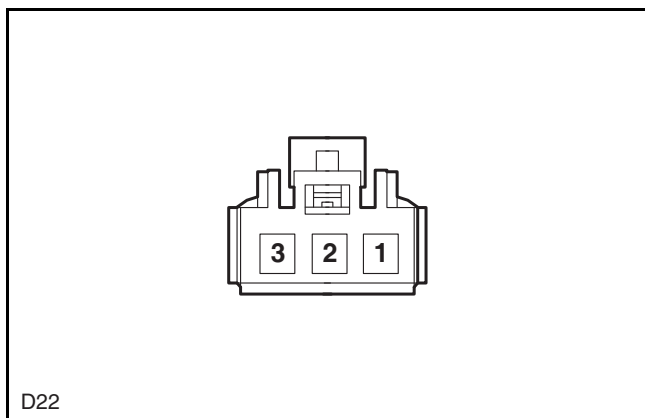
Rear Defroster Negative



D21 Wiring Harness Connector Pin Definition

Pin No.	Wire Diameter/Color	Function
1	2.5 BK	Grounding

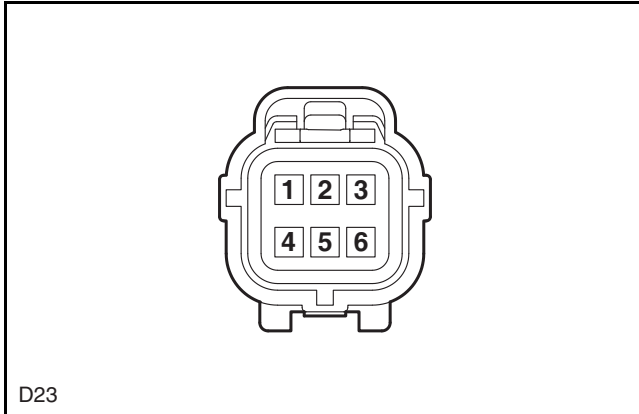
Rear Wiper Motor



D22 Wiring Harness Connector Pin Definition

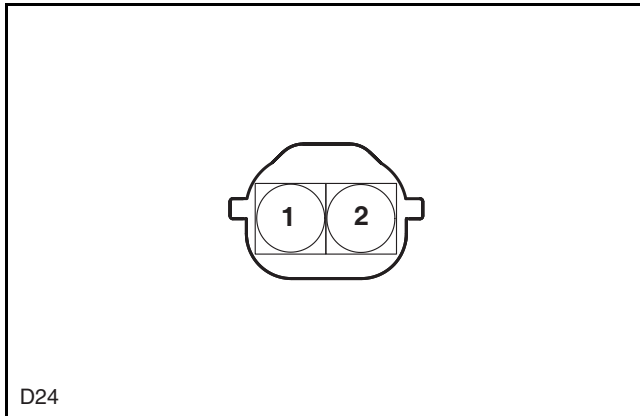
Pin No.	Wire Diameter/Color	Function
1	1.5 WH/RD	Rear Wiper Operation
2	0.35 PK/BK	Output Return Signal
3	1.5 BK	Grounding

B Tail Lamp - Left

**D23 Wiring Harness Connector Pin Definition**

Pin No.	Wire Diameter/Color	Function
1	0.5 VT/WH	Rear Position Lamp Positive
2	0.5 GN/WH	Left Rear Turn Lamp
3	0.5 VT	Right Rear Turn Lamp
4	0.5 BK	Grounding
5	-	-
6	-	-

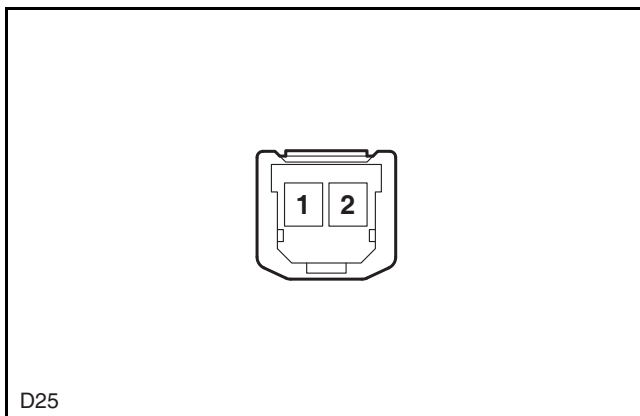
Buzzer - Back Door



D24 Wiring Harness Connector Pin Definition

Pin No.	Wire Diameter/Color	Function
1	0.5 BK	Buzzer Grounding
2	0.5 OG/BK	Buzzer Drive

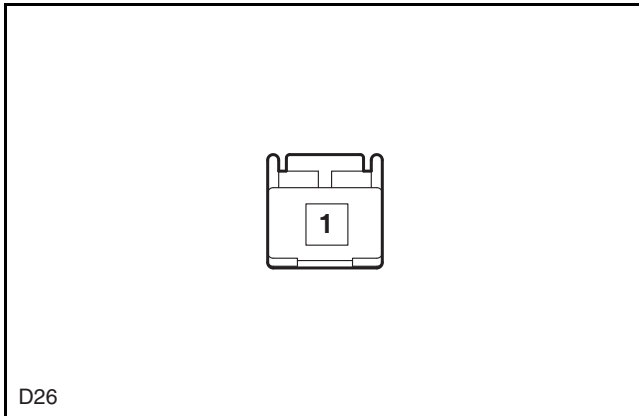
High Mounted Brake Lamp



D25 Wiring Harness Connector Pin Definition

Pin No.	Wire Diameter/Color	Function
1	0.35 BK	Grounding
2	0.35 WH/BU	Positive

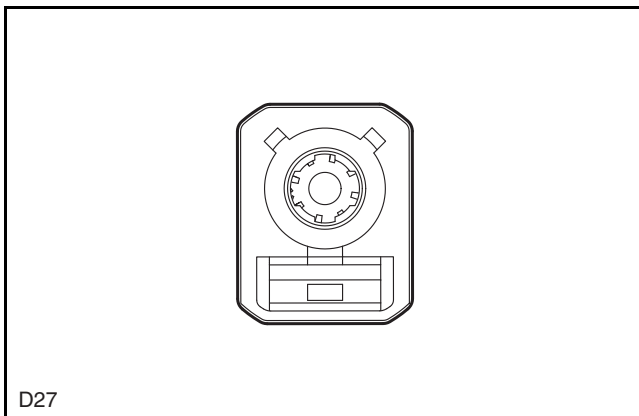
Rear Defroster Positive



D26 Wiring Harness Connector Pin Definition

Pin No.	Wire Diameter/Color	Function
1	2.5 VT	Power Supply

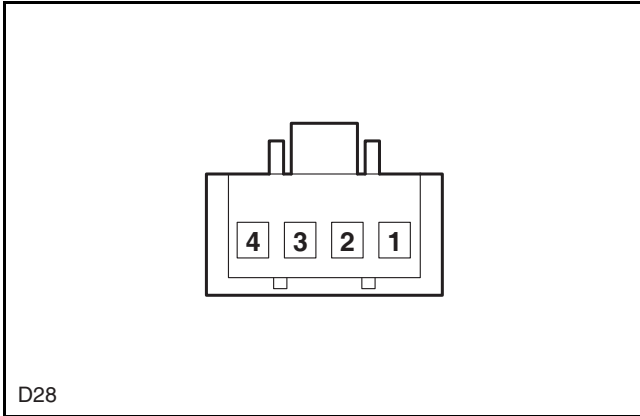
Rear Camera



D27 Wiring Harness Connector Pin Definition

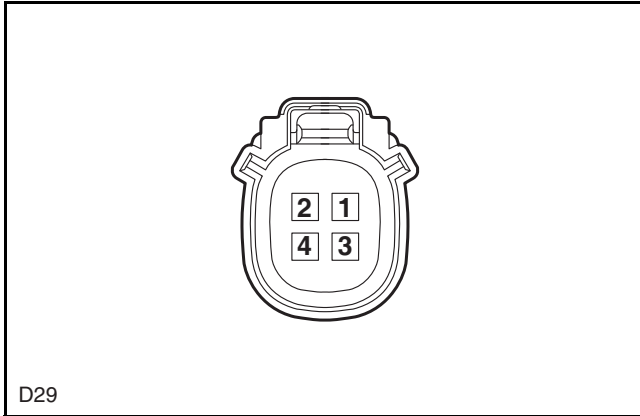
Pin No.	Wire Diameter/Color	Function
1	-	Shielded Wire

License Plate Lamp - Left

**D28 Wiring Harness Connector Pin Definition**

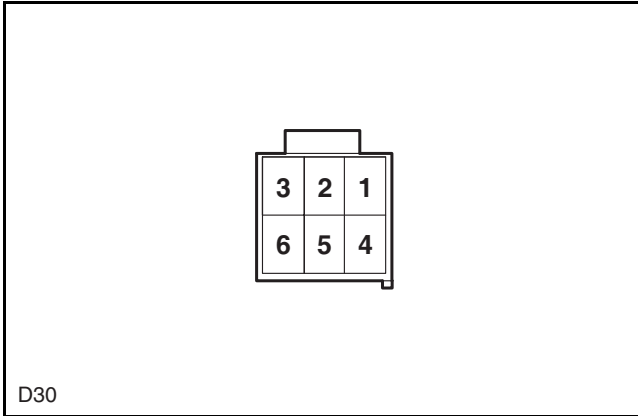
Pin No.	Wire Diameter/Color	Function
1	0.35 BN	License Plate Lamp Positive
2	0.35 RD/GN	Luggage Compartment Door Release Switch
3	-	-
4	0.35 BK	Grounding

Back Door Close Switch

**D29 Wiring Harness Connector Pin Definition**

Pin No.	Wire Diameter/Color	Function
1	0.35 GY/GN	Power Back Door Signal
2	0.35 RD/YE	Backlight Power Supply
3	0.35 BK	Control Signal Grounding
4	0.35 BK	Backlight Power Supply Grounding

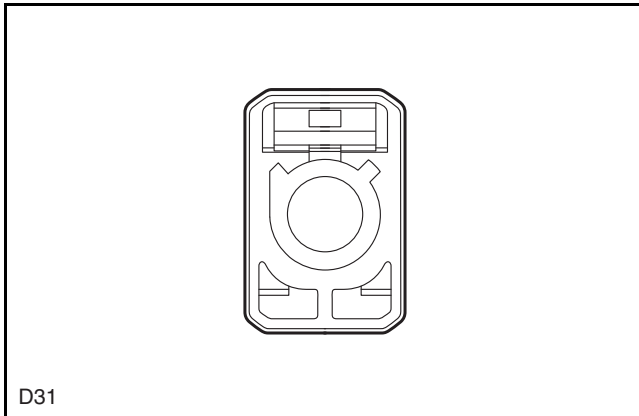
Door Lock Motor - Back Door (High-configuration 1)



D30 Wiring Harness Connector Pin Definition

Pin No.	Wire Diameter/Color	Function
1	0.35 GN/RD	Full Lock Position Judgement
2	0.35 OG	Half Lock Position Judgement
3	0.35 BK	Common Grounding
4	0.75 OG	Motor Drive Lock Self-engagement
5	0.75 GN	Motor Driver Unlock
6	0.35 BN/WH	Lock Inside Drive Mechanical Reset Signal

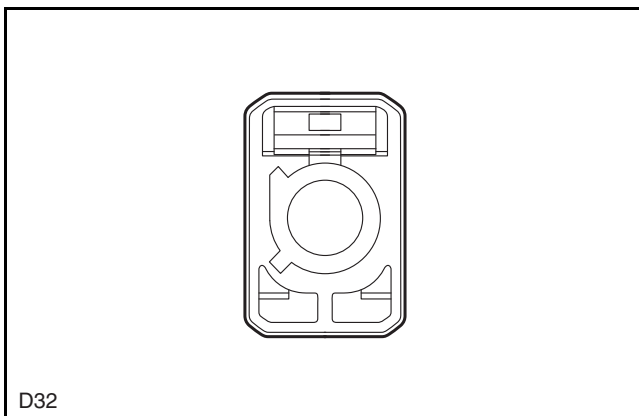
Rear Streaming Camera



D31 Wiring Harness Connector Pin Definition

Pin No.	Wire Diameter/Color	Function
1	0.5 BU	Instrument Cluster Display Digital Camera
2	0.1 BK	Grounding

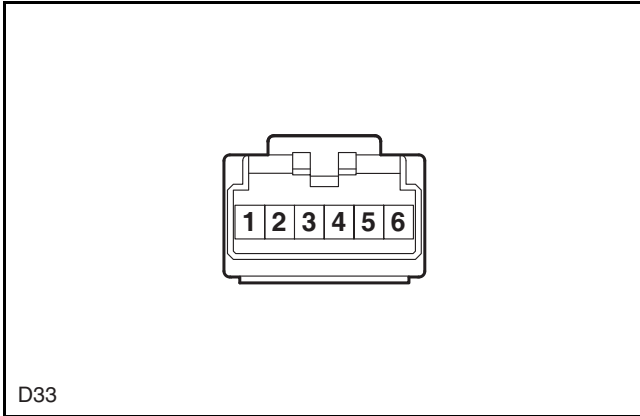
Panoramic Camera - Left



D32 Wiring Harness Connector Pin Definition

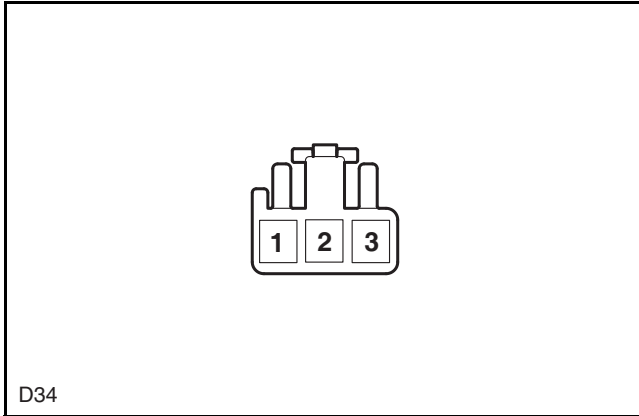
Pin No.	Wire Diameter/Color	Function
1	0.5 BU	Left Camera
2	-	-

Seat Memory Switch

**D33 Wiring Harness Connector Pin Definition**

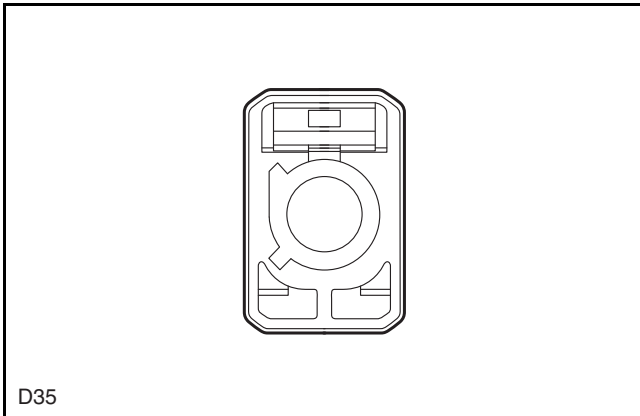
Pin No.	Wire Diameter/Color	Function
1	0.3 RD/YE	Back Ground Power Supply
2	0.3 YE/BK	Seat Memory Setting Button
3	0.3 VT/WH	Seat Memory Selection Button
4	0.5 OG	Power
5	0.3 YE/RD	Memory Setting Switch LED Driver
6	0.3 PK	Seat Switch Adjustment -

Atmosphere Lamp 1 - Left Front Door

**D34 Wiring Harness Connector Pin Definition**

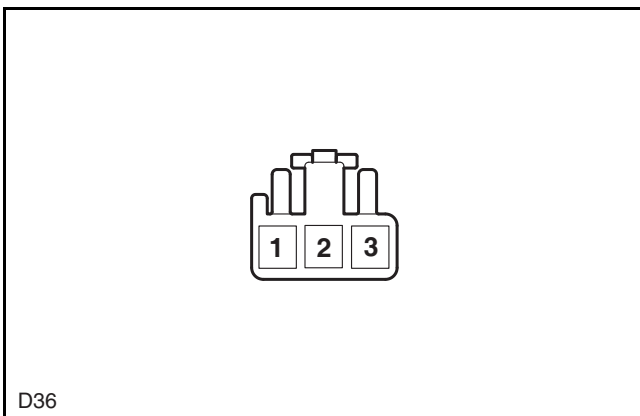
Pin No.	Wire Diameter/Color	Function
1	0.3 RD	Constant Power Supply
2	0.3 VT	LIN Signal
3	0.3 BK	Grounding

Panoramic Camera - Right

**D35 Wiring Harness Connector Pin Definition**

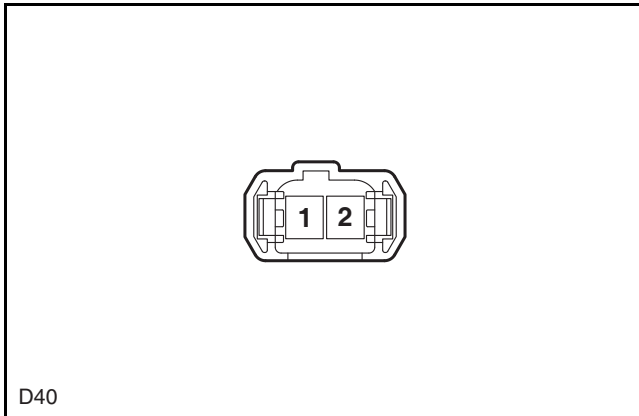
Pin No.	Wire Diameter/Color	Function
1	0.5 BU	Right Camera
2	-	-

Atmosphere Lamp 1 - Right Front Door

**D36 Wiring Harness Connector Pin Definition**

Pin No.	Wire Diameter/Color	Function
1	0.3 RD	Constant Power Supply
2	0.3 VT	LIN Signal
3	0.3 BK	Grounding

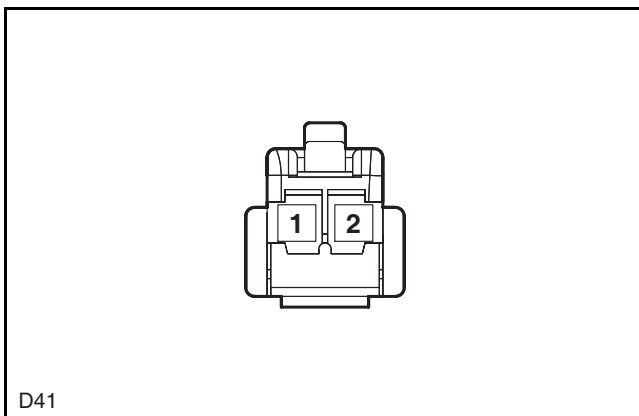
Speaker 1 (Left Rear Door)



D40 Wiring Harness Connector Pin Definition

Pin No.	Wire Diameter/Color	Function
1	0.5 PK/WH	Negative -
2	0.5 RD/GN	Positive +

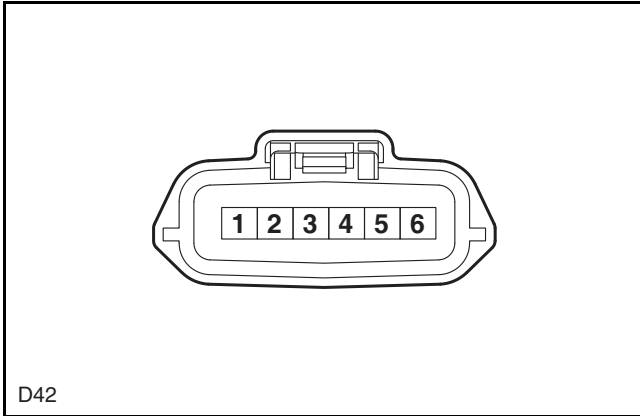
Speaker 2 (Left Rear Door)



D41 Wiring Harness Connector Pin Definition

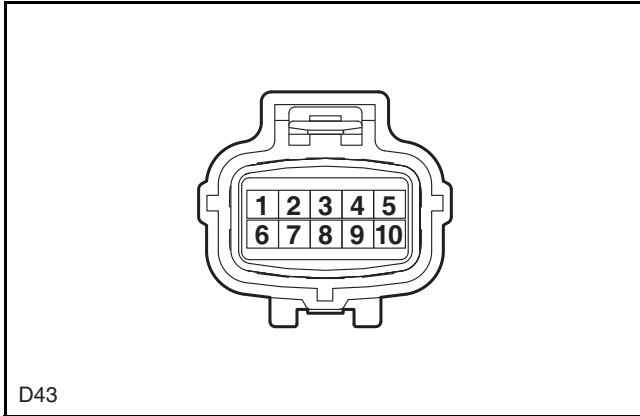
Pin No.	Wire Diameter/Color	Function
1	0.5 RD/GN	Positive
2	0.5 PK/WH	Negative

Door Lock Motor (Left Rear Door)

**D42 Wiring Harness Connector Pin Definition**

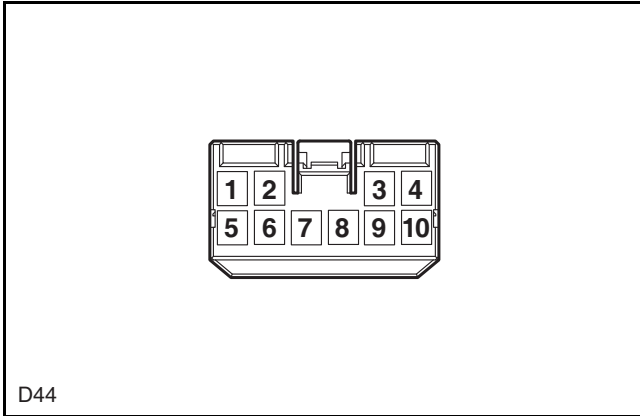
Pin No.	Wire Diameter/Color	Function
1	-	-
2	-	-
3	-	-
4	-	-
5	0.5 YE/WH	Unlock
6	0.5 RD/WH	Lock

Left Rear Door Concealed Handle Switch

**D43 Wiring Harness Connector Pin Definition**

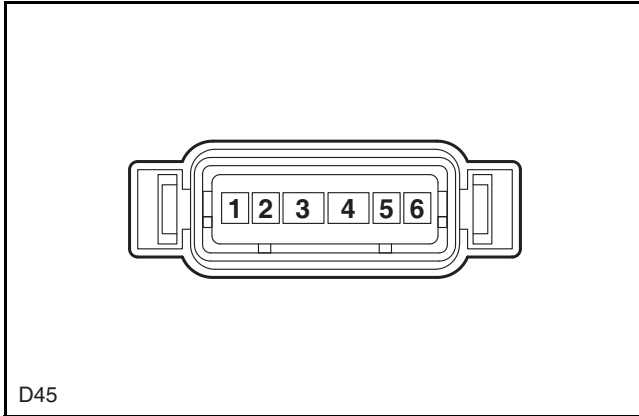
Pin No.	Wire Diameter/Color	Function
1	0.5 WH	Motor Negative
2	-	-
3	0.3 BK	Atmosphere Lamp -
4	0.3 BK	Microswitch 1 -
5	0.3 BK	Micro Switch 2 -
6	0.5 GY	Motor Positive
7	-	-
8	0.3 PK/GN	Atmosphere Lamp +
9	0.3 RD/BK	Microswitch 1 +
10	0.3 WH/GN	Micro Switch 2 +

Window Switch - Left Rear Door (Anti-pinch)

**D44 Wiring Harness Connector Pin Definition**

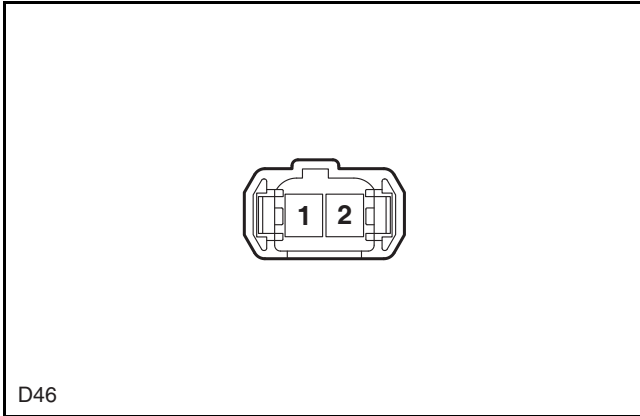
Pin No.	Wire Diameter/Color	Function
1	0.5 RD/YE	Backlight Power Supply
2	0.3 RD/BK	Automatic Button Signal
3	-	-
4	-	-
5	0.3 PK	Down Signal
6	0.3 PK/BU	Up Signal
7	-	-
8	-	-
9	-	-
10	0.5 BK	Grounding

Window Motor - Left Rear Door (Anti-pinch)

**D45 Wiring Harness Connector Pin Definition**

Pin No.	Wire Diameter/Color	Function
1	0.3 PK	Down Signal
2	0.3 GN	LIN
3	2.5 BK	Power Supply Grounding
4	2.5 YE/BK	Power Supply
5	0.3 RD/BK	Automatic Signal
6	0.3 PK/BU	Up Signal

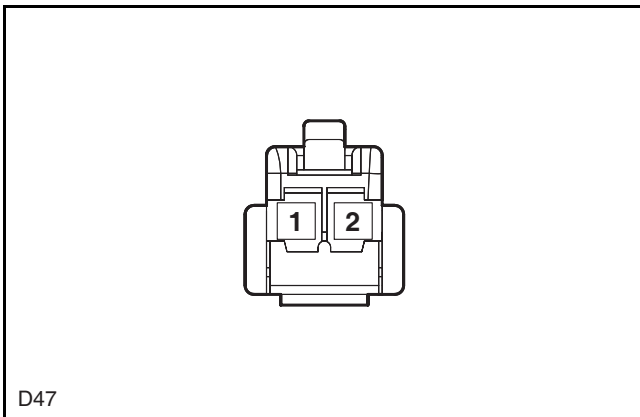
Speaker 1 (Right Rear Door)



D46 Wiring Harness Connector Pin Definition

Pin No.	Wire Diameter/Color	Function
1	0.5 GN/RD	Negative -
2	0.5 GN/VT	Positive +

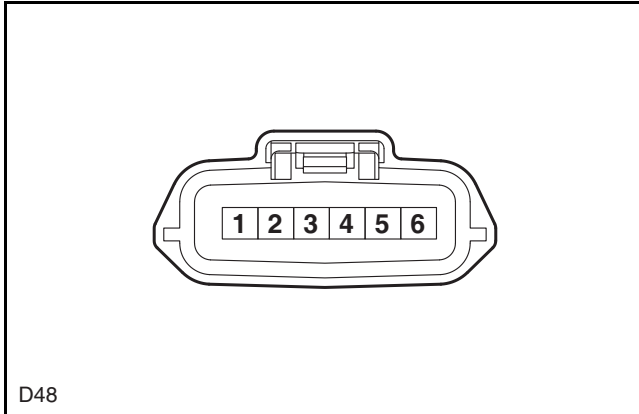
Speaker 2 (Right Rear Door)



D47 Wiring Harness Connector Pin Definition

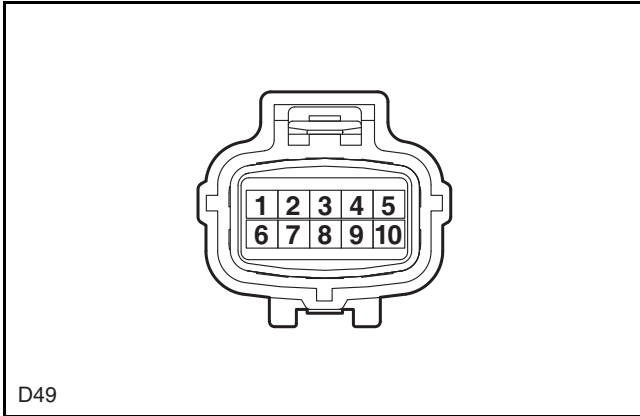
Pin No.	Wire Diameter/Color	Function
1	0.5 GN/VT	Positive
2	0.5 GN/RD	Negative

Door Lock Motor (Right Rear Door)

**D48 Wiring Harness Connector Pin Definition**

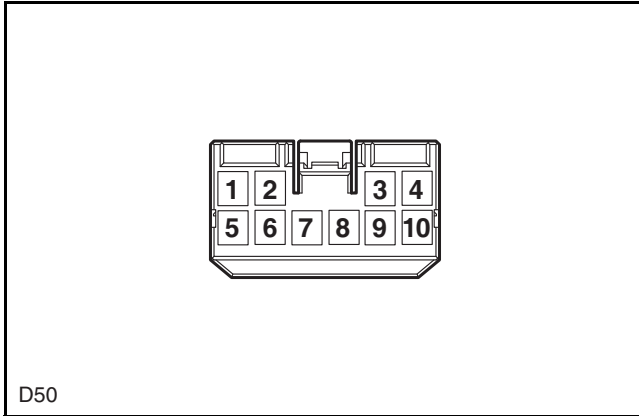
Pin No.	Wire Diameter/Color	Function
1	0.5 YE/WH	Unlock
2	0.5 RD/WH	Lock
3	-	-
4	-	-
5	-	-
6	-	-

Right Rear Door Concealed Handle Switch

**D49 Wiring Harness Connector Pin Definition**

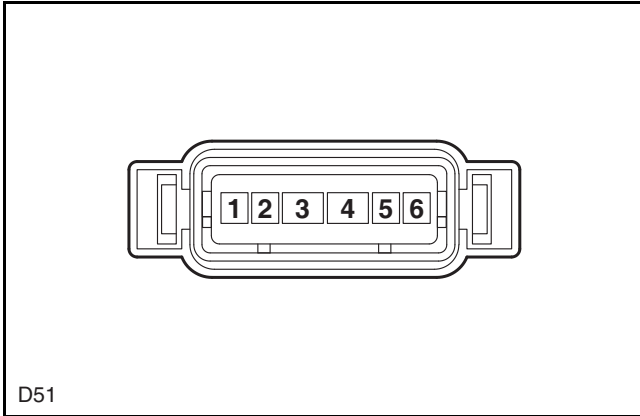
Pin No.	Wire Diameter/Color	Function
1	0.5 WH	Motor Negative
2	-	-
3	0.3 BK	Atmosphere Lamp -
4	0.3 BK	Microswitch 1 -
5	0.3 BK	Micro Switch 2 -
6	0.5 GY	Motor Positive
7	-	-
8	0.3 PK/GN	Atmosphere Lamp +
9	0.3 GN/BK	Microswitch 1 +
10	0.3 BU/GN	Micro Switch 2 +

Window Switch - Right Rear (Anti-pinch)

**D50 Wiring Harness Connector Pin Definition**

Pin No.	Wire Diameter/Color	Function
1	0.5 RD/YE	Backlight Power Supply
2	0.3 RD/BK	Automatic Button Signal
3	-	-
4	-	-
5	0.3 PK	Down Signal
6	0.3 PK/BU	Up Signal
7	-	-
8	-	-
9	-	-
10	0.5 BK	Grounding

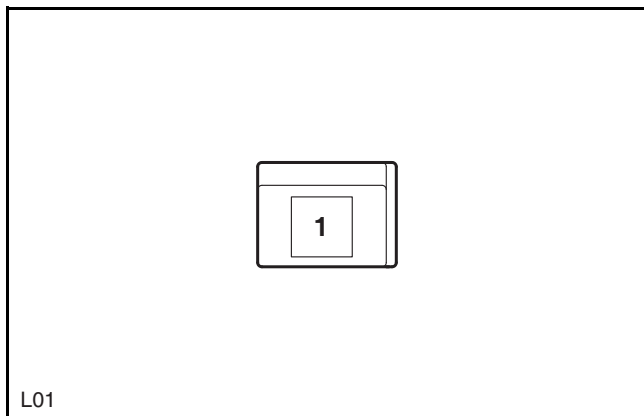
Window Motor - Right Rear Door (Anti-pinch)

**D51 Wiring Harness Connector Pin Definition**

Pin No.	Wire Diameter/Color	Function
1	0.3 RD/BK	Down Signal
2	0.3 GN	LIN
3	2.5 BK	Power Supply Grounding
4	2.5 RD/BK	Power Supply
5	0.3 BU/GN	Automatic Signal
6	0.3 BN	Up Signal

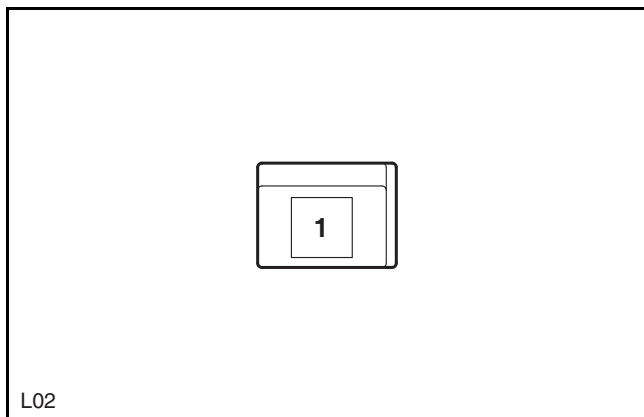
Roof Wiring Harness Connector (L--)

Front Windshield Heater - Left Positive

**L01 Wiring Harness Connector Pin Definition**

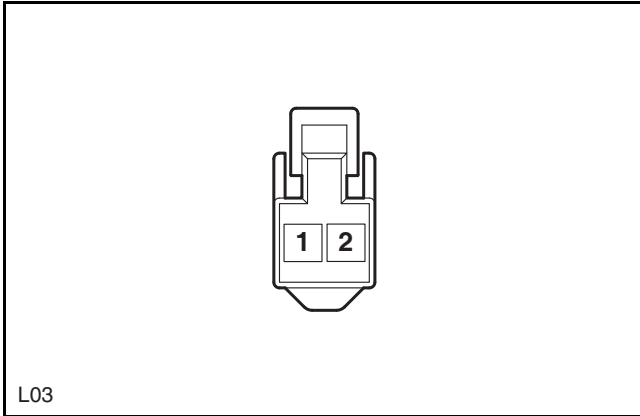
Pin No.	Wire Diameter/Color	Function
1	2.5 GN/BK	Power Supply

Front Windshield Heater - Left Negative

**L02 Wiring Harness Connector Pin Definition**

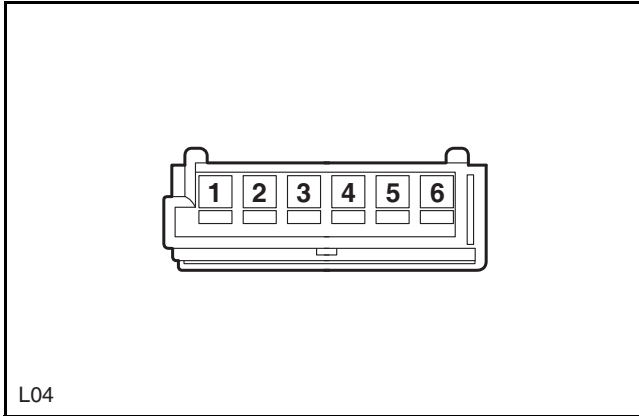
Pin No.	Wire Diameter/Color	Function
1	2.5 BK	Grounding

Vanity Lamp (Left)

**L03 Wiring Harness Connector Pin Definition**

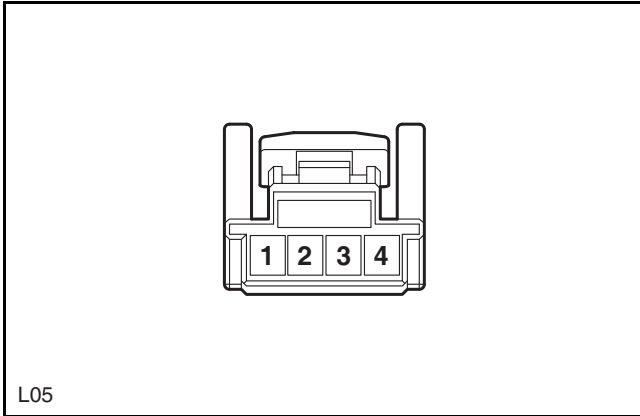
Pin No.	Wire Diameter/Color	Function
1	0.5 BK	Grounding
2	0.5 RD/BK	Power Supply

Middle-Row Map Light - Left

**L04 Wiring Harness Connector Pin Definition**

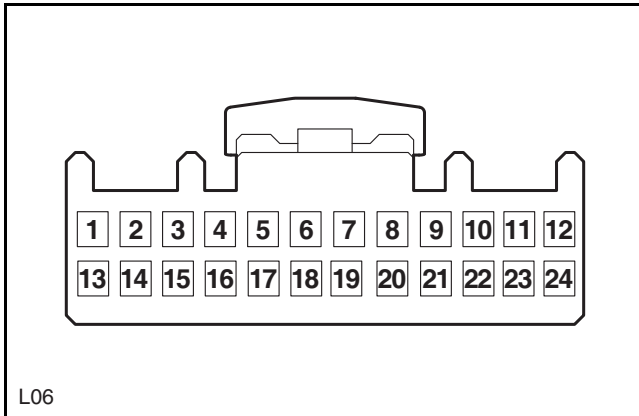
Pin No.	Wire Diameter/Color	Function
1	0.35 RD/BK	Energy Saving Power Supply
2	0.35 WH/RD	Dome Lamp Power Supply
3	0.35 BK	Grounding
4	-	-
5	-	-
6	-	-

Microphone

**L05 Wiring Harness Connector Pin Definition**

Pin No.	Wire Diameter/Color	Function
1	0.35 VT/WH	Microphone 2 Signal
2	0.35 RD	Microphone 1 Signal
3	0.35 VT	Microphone 2 Signal Grounding
4	0.35 BU/WH	Microphone 1 Signal Grounding

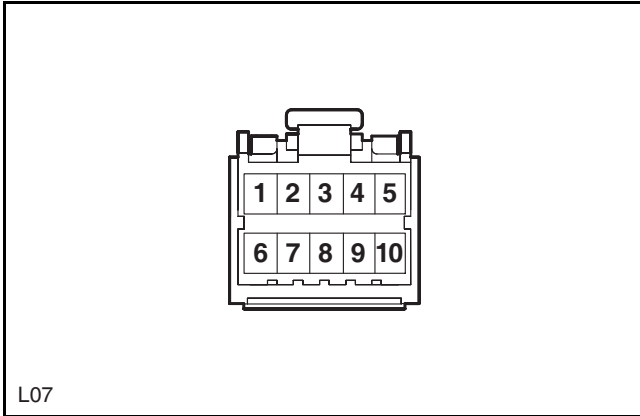
Front Dome Lamp + Sunroof



L06 Wiring Harness Connector Pin Definition

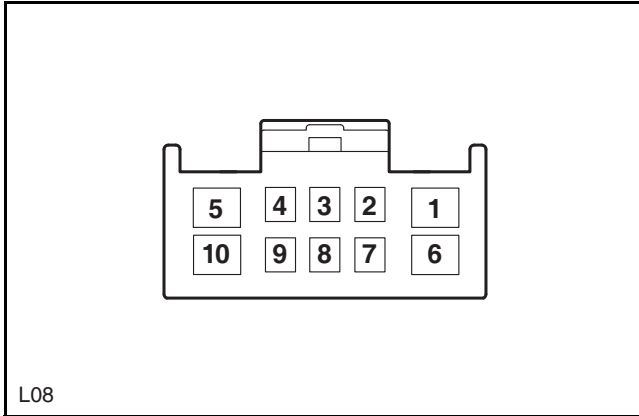
Pin No.	Wire Diameter/Color	Function
1	0.5 RD/BK	Map Lamp Power Supply
2	-	-
3	0.5 RD/YE	Backlight Power Supply
4	-	-
5	-	-
6	-	-
7	0.35 RD/YE	Sunroof Tilt Signal
8	0.35 GN/BK	Sunroof Open Signal Output
9	0.35 BN	Sunroof Close Signal Output
10	-	-
11	0.5 BK	Grounding
12	-	-
13	-	-
14	-	-
15	-	-
16	-	-
17	0.35 BK	Sunroof Button Signal Grounding
18	-	-
19	-	-
20	-	-
21	0.35 WH/RD	Map Lamp BCM Control Signal
22	-	-
23	-	-
24	-	-

SOS Switch

**L07 Wiring Harness Connector Pin Definition**

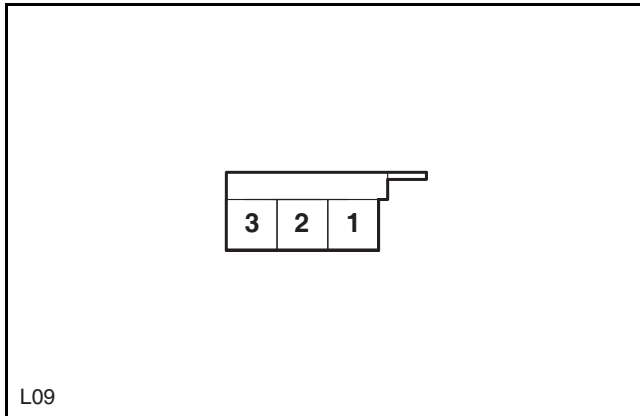
Pin No.	Wire Diameter/Color	Function
1	-	-
2	-	-
3	-	-
4	0.22 GN/BK	Speaker +
5	0.22 PK	Speaker -
6	-	-
7	-	-
8	-	-
9	-	-
10	-	-

Sunroof Controller (Panoramic)

**L08 Wiring Harness Connector Pin Definition**

Pin No.	Wire Diameter/Color	Function
1	1.5 BK	Grounding
2	0.35 GN/BK	Sunroof Open Signal
3	0.35 BN	Sunroof Close Signal
4	-	-
5	1.5 RD	Power Supply
6	-	-
7	-	-
8	-	-
9	0.35 GN	LIN
10	0.35 YE/BK	Sunroof Tilt Signal

Rain/Ambient Light Sensor

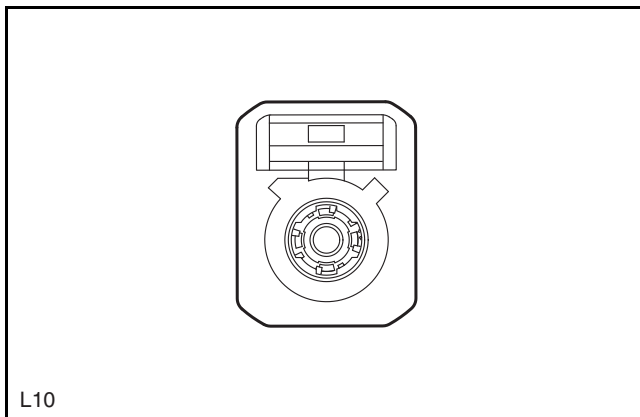


L09

L09 Wiring Harness Connector Pin Definition

Pin No.	Wire Diameter/Color	Function
1	0.35 GN/WH	Constant Power Supply
2	0.35 BK	Grounding
3	0.35 PK	LIN

GPS Feeder

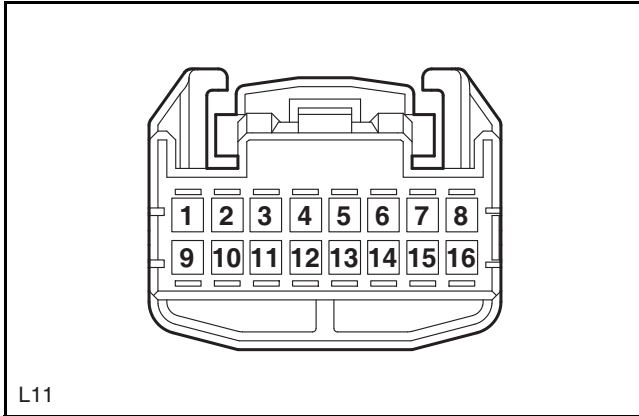


L10

L10 Wiring Harness Connector Pin Definition

Pin No.	Wire Diameter/Color	Function
1	-	GPS Feeder

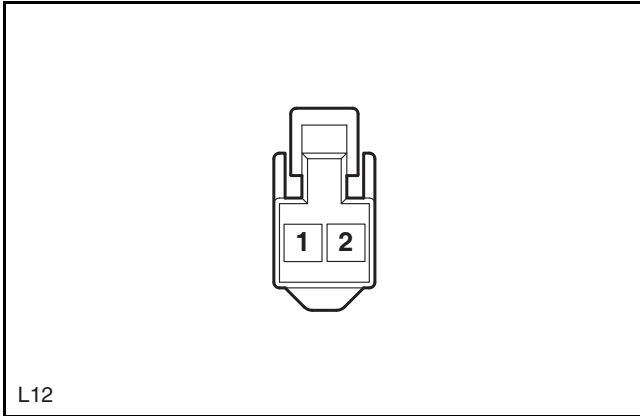
Lane Departure Controller A



L11 Wiring Harness Connector Pin Definition

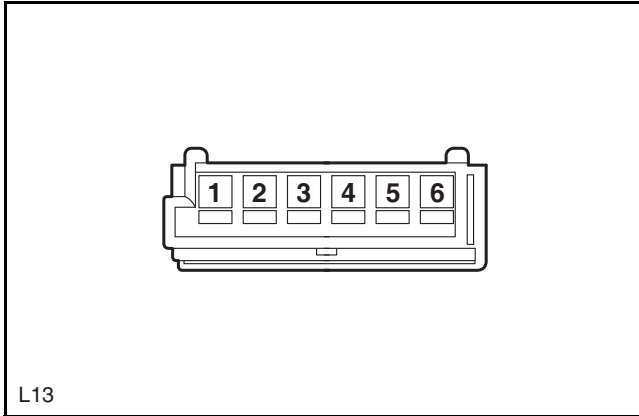
Pin No.	Wire Diameter/Color	Function
1	0.5 YE/BK	IG Power Supply
2	0.35 BU	CAN-H
3	0.35 BU/YE	CAN-L
4	-	-
5	0.5 BK	Grounding
6	-	-
7	-	-
8	-	-
9	-	-
10	0.35 WH	Private CANH
11	0.35 WH/GN	Private CANL
12	-	-
13	-	-
14	-	-
15	-	-
16	-	-

Vanity Lamp (Right)

**L12 Wiring Harness Connector Pin Definition**

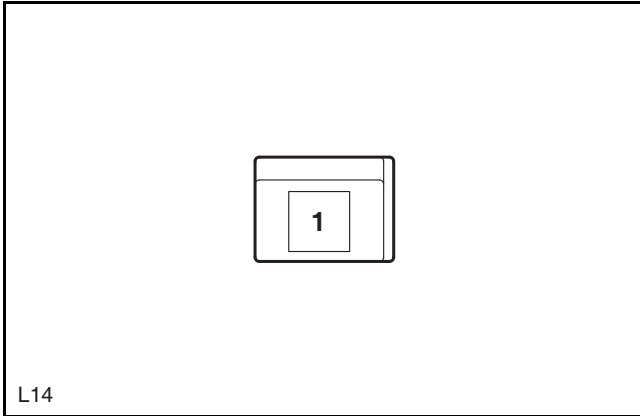
Pin No.	Wire Diameter/Color	Function
1	0.5 BK	Grounding
2	0.5 RD/BK	Power Supply

Middle-row Map Lamp - Right

**L13 Wiring Harness Connector Pin Definition**

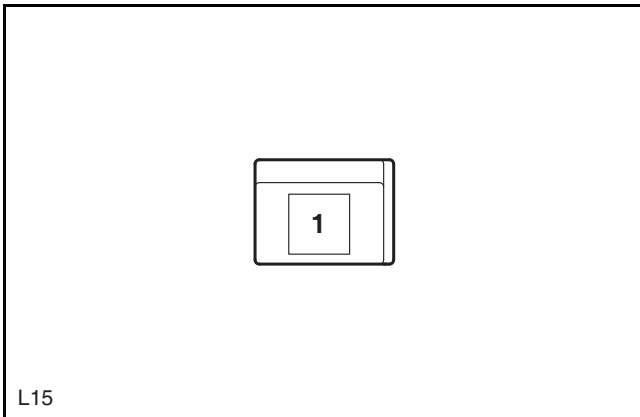
Pin No.	Wire Diameter/Color	Function
1	0.35 RD/BK	Energy Saving Power Supply
2	0.35 WH/RD	Dome Lamp Power Supply
3	0.35 BK	Grounding
4	-	-
5	-	-
6	-	-

Front Windshield Heater - Right Negative

**L14 Wiring Harness Connector Pin Definition**

Pin No.	Wire Diameter/Color	Function
1	2.5 BK	Grounding

Front Windshield Heater - Right Positive

**L15 Wiring Harness Connector Pin Definition**

Pin No.	Wire Diameter/Color	Function
1	2.5 BN	Power Supply

Abbreviation List

Abbreviation	English Full Name	Chinese Name
A/C	Air Conditioning	空调
AAT	Ambient Air Temperature	大气温度
ABS	Anti-lock Brake System	防抱死制动系统
AM/FM	Amplitude Modulation/Frequency Modulation	调幅 / 调频
APP	Accelerator Pedal Position	加速踏板位置
ASR	Acceleration Slip Regulation	加速防滑控制系统
AT	Automatic Transmission	自动变速器
ATF	Automatic Transmission Fluid	自动变速器油
BCM	Body Control Module	车身控制模块
CAN	Controller Area Network	控制器局域网
CD	Compact Disc	CD
CHMSL	Center High Mounted Stop Lamp	中央高位制动灯
CKP	Crankshaft Position Sensor	曲轴位置传感器
CMP	Camshaft Position Sensor	凸轮轴位置传感器
CRK	Crank	曲轴
DDM	Driver Door Module	驾驶员门控模块
DLC	Data Link Connector	诊断接口
DOHC	Double Overhead Camshaft	双顶置凸轮轴
DTC	Diagnostic Trouble Code	故障代码
DVD	Digital Video Disk	DVD
EBD	Electric Brakeforce Distribution	电子制动力分配
ECM	Engine Control Module	发动机控制模块
ECT	Engine Coolant Temperature	发动机冷却液温度
EGR	Exhaust-Gas Recirculation	废气再循环
EOBD	European On Board Diagnostic	欧洲车载诊断系统
ESP	Electronic Stability Program	电子稳定程序
ETC	Electronic Throttle Control	电子节气门控制
EVAP	Evaporative Emission Control System	燃油蒸发排放系统
FWD	Front Wheel Drive	前轮驱动
GPS	Global Positioning System	全球定位系统
GVM	Gross Vehicle Mass	车辆总重量
HCU	Hydraulic Control Unit	液压控制单元
HFM	Hands Free Module	免提电话模块
HID	High Intensity Discharge	高强度放电

Abbreviation	English Full Name	Chinese Name
HO2S	Heated Oxygen Sensor	氧传感器
HVAC	Heating, Ventilation and Air Conditioning	暖风、通风和空调总成
I/P	Instrument Panel	仪表板
IAC	Idle Air Control Valve	怠速空气控制阀
IAT	Intake Air Temperature	进气温度
ICU	Integrated Control Unit	集成控制单元
IPC	Instrument Panel Cluster	组合仪表
ISO	International Standards Organization	国际标准化组织
ISS	Input Shaft Speed	输入轴转速传感器
KS	Knock Sensor	爆震传感器
LED	Light Emitting Diode	发光二极管
LF	Left Front	左前
LIN	Local Interconnect Network	局部互连网络
LR	Left Rear	左后
MAF	Mass Air Flow	质量空气流量
MAP	Manifold Absolute Pressure	进气歧管绝对压力
MIL	Malfunction Indicator Lamp	故障指示灯
MP3	MPEG Audio Layer 3	MP3
MT	Manual Transmission	手动变速器
MTC	Manual Temperature Control	手动温度控制
MY	Model Year	车型年款
OBD-II	On Board Diagnostic II	第二代车载诊断系统
OEM	Original Equipment Manufacturer	原始设备制造商
PAM	Parking Aid Module	停车辅助模块
PCV	Positive Crankcase Ventilation	曲轴箱强制通风
PDC	Power Distribution Center	配电中心
PDM	Passenger Door Module	乘客门控模块
PIN	Personal Identification Number	个人身份号码
PWM	Pulse Width Modulation	脉宽调制
RF	Right Front	右前
RR	Right Rear	右后
SAE	Society of Automotive Engineers	美国汽车工程师学会
SAS	Steering Angle Sensor	转向角度传感器
SCCM	Steering Column Control Module	转向管柱控制模块
SDM	Supplemental Diagnostic Module	安全气囊控制模块
SFI	Sequential Fuel Injection	顺序燃油喷射

Abbreviation	English Full Name	Chinese Name
SOHC	Single Overhead Camshaft	单顶置凸轮轴
SRI	Service Reminder Indicator	维修提示指示灯
SRS	Supplemental Restraint System	安全气囊系统
TCC	Torque Converter Clutch	变矩器离合器
TCM	Transmission Control Module	变速器控制模块
TIR	Total Indicator Reading	百分表总读数
TPMS	Tire Pressure Monitoring System	轮胎压力监控系统
TPS	Throttle Position Switch	节气门位置开关传感器
TRS	Transmission Range Sensor	变速器档位传感器
TSB	Technical Service Bulletin	技术服务公报
TWC	Three-way Catalyst	三元催化转换剂
VFD	Vacuum Fluorescent Display	真空荧光显示器
VIN	Vehicle Identification Number	车辆识别码
VSS	Vehicle Speed Sensor	车速传感器
WSS	Wheel Speed Sensor	轮速传感器

 **CAUTION:** For abbreviations not in this list, please refer to the CS75 Service Manual.

